

US00RE42079E

(19) **United States**
(12) **Reissued Patent**
Tate et al.

(10) **Patent Number:** **US RE42,079 E**
(45) **Date of Reissued Patent:** ***Jan. 25, 2011**

(54) **METHOD AND APPARATUS ALLOWING A BATTERY TO REGAIN CHARGE IN A HANDHELD DEVICE WITHOUT AN APPLIED EXTERNAL CHARGE WHILE STILL SUPPLYING POWER SELECTED DESIGNATED COMPONENTS**

(75) Inventors: **Joe Tate**, San Jose, CA (US); **Sean O'Hara**, San Mateo, CA (US); **Gary Responde**, Fremont, CA (US)

(73) Assignee: **Palm, Inc.**, Sunnyvale, CA (US)

(*) Notice: This patent is subject to a terminal disclaimer.

(21) Appl. No.: **11/347,784**

(22) Filed: **Feb. 3, 2006**

Related U.S. Patent Documents

Reissue of:

(64) Patent No.: **6,687,839**
Issued: **Feb. 3, 2004**
Appl. No.: **09/588,108**
Filed: **May 31, 2000**

(51) **Int. Cl.**
G06F 1/26 (2006.01)
G06F 1/28 (2006.01)
G06F 1/30 (2006.01)
G06F 1/32 (2006.01)

(52) **U.S. Cl.** **713/324; 713/300; 713/310; 713/320; 713/323; 713/330; 713/340**

(58) **Field of Classification Search** **713/324**
See application file for complete search history.

(56) **References Cited**

U.S. PATENT DOCUMENTS

3,744,034 A * 7/1973 Paul 711/164
4,595,880 A * 6/1986 Patil 324/427
4,860,372 A * 8/1989 Kuzunuki et al. 382/189

4,972,496 A * 11/1990 Sklarew 382/187
5,231,351 A * 7/1993 Kordts et al. 324/166
5,231,381 A * 7/1993 Duwaer 340/712
5,305,394 A * 4/1994 Tanaka 382/189
5,349,668 A * 9/1994 Gladstein et al. 713/340
5,373,227 A * 12/1994 Keeth 323/313
5,389,745 A * 2/1995 Sakamoto 178/18.03
5,434,929 A * 7/1995 Beernink et al. 382/187
5,442,794 A * 8/1995 Wisor et al. 713/340
5,444,192 A * 8/1995 Shetye et al. 178/18.09
5,452,371 A * 9/1995 Bozinovic et al. 382/187
5,528,743 A * 6/1996 Tou et al. 715/234

(Continued)

FOREIGN PATENT DOCUMENTS

DE 3542765 A1 * 6/1987
EP 560510 A1 * 9/1993
GB 2371376 A * 7/2002

OTHER PUBLICATIONS

Lu, Y.-H.; Simunic, T.; De Micheli, G.; "Software controlled power management", Hardware/Software Codesign, 1999. (Codes '99) Proceedings of the Seventh International Workshop on, 1999, pp. 157-161.*

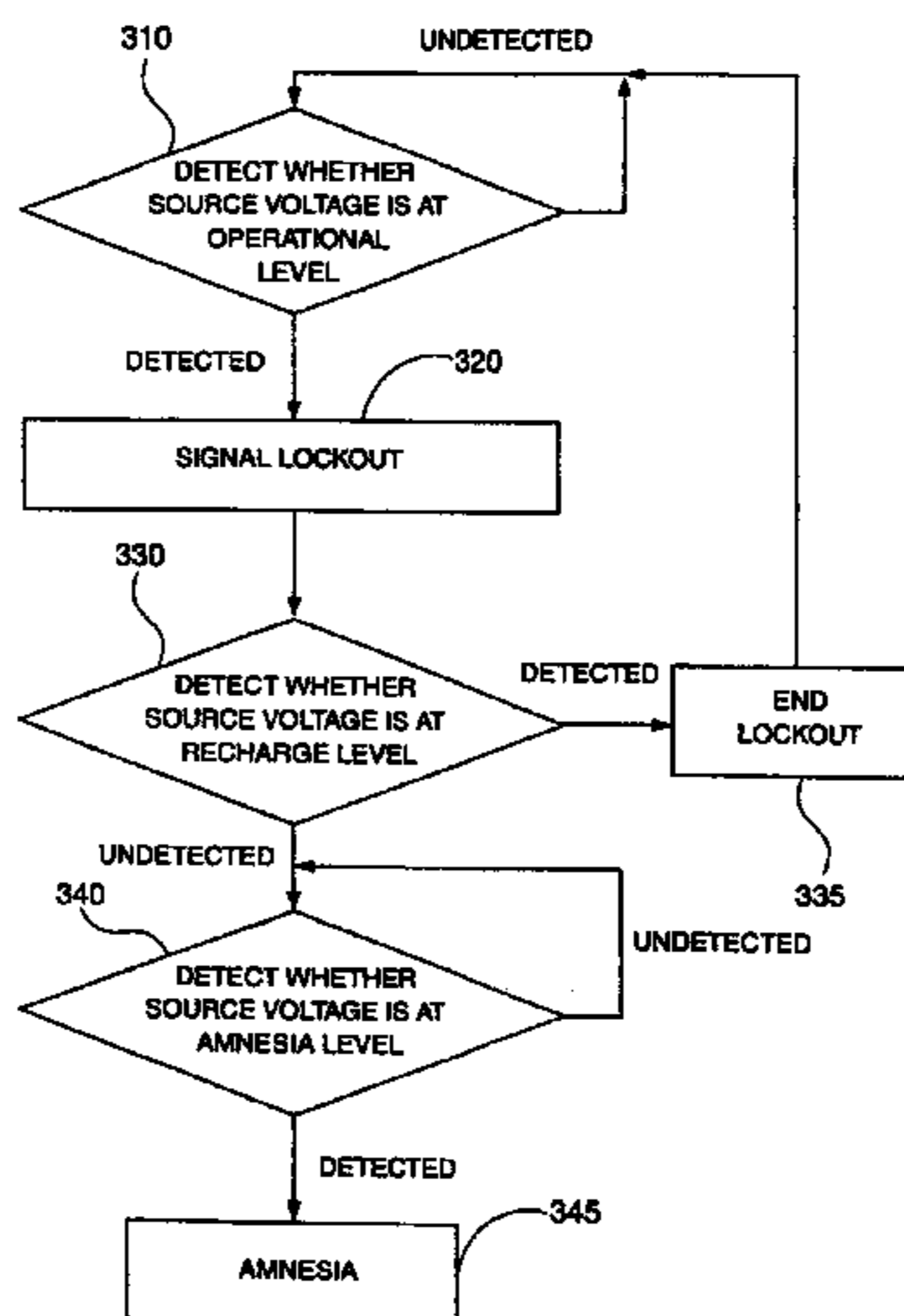
(Continued)

Primary Examiner—Thomas Lee
Assistant Examiner—Eric Chang
(74) *Attorney, Agent, or Firm*—Mahamedi Paradice Kreisman LLP

(57) **ABSTRACT**

An embodiment includes a power management method for regulating power to a handheld computer. A source voltage is received from a battery module. The source voltage is regulated to power a plurality of internal components, including a processor and a memory. If the source voltage is detected to be less than a designated threshold, the plurality of internal components powered by the source voltage are reduced to allow a charge of the battery module to increase in absence of an external charge.

39 Claims, 8 Drawing Sheets



U.S. PATENT DOCUMENTS

5,532,524	A *	7/1996	Townsley et al.	713/321
5,534,892	A *	7/1996	Tagawa	345/173
5,556,811	A *	9/1996	Agatstein et al.	438/106
5,581,772	A *	12/1996	Nanno et al.	713/340
5,615,284	A *	3/1997	Rhyne et al.	382/187
5,621,817	A *	4/1997	Bozinovic et al.	382/189
5,630,148	A *	5/1997	Norris	713/322
5,698,822	A *	12/1997	Haneda et al.	178/18.01
5,710,931	A *	1/1998	Nakamura et al.	713/323
5,717,936	A *	2/1998	Uskali	713/340
5,784,295	A *	7/1998	Hinohara	702/63
5,784,626	A *	7/1998	Odaohara	713/300
5,815,820	A *	9/1998	Kiem et al.	455/575.7
5,841,901	A *	11/1998	Arai et al.	382/187
5,870,685	A *	2/1999	Flynn	455/573
5,915,002	A *	6/1999	Shimosako	379/93.07
6,005,819	A *	12/1999	Shin	365/226
6,112,249	A *	8/2000	Bader et al.	709/239
6,243,831	B1 *	6/2001	Mustafa et al.	713/324
6,266,776	B1 *	7/2001	Sakai	713/300
6,304,823	B1 *	10/2001	Smit et al.	713/321

OTHER PUBLICATIONS

Gray, R. et al., "Efficient MC68HC08 programming: reduce cycle count and improving code density", Dr. Dobb's Journal, vol. 20, No. 5, May 1995, pp. 70-75.*

Ruley, J. et al., "Handheld-to-Handheld Combat", Windows Magazine, No. 811, p. 55, Nov. 1997.*

Dayton, D., "FRx extends reporting power of Platinum Series", PC Weeks, vol. 8, No. 5, p. 29(2), Feb. 1991.*

Forbes, J. et al., "Palm PCs get a Big Hand (What's Hot)", Windows Magazine, No. 905, p. 96, May 1998.*

Penwarden, M., "More Muscle for HP's OmniBook", Windows Magazine, No. 501, p. 110, Jan. 1994.*

Feigel, C., "IBM, Motorola preview embedded PowerPCs; 403 and 505 processors combine strong performance with low cost", Microprocessor Report, vol. 8, No. 6, pp. 1-5, May 1994.*

Bursky, D., "Evolving DSP chips do more", Electronic Design, vol. 38, No. 23, pp. 51-59, Dec. 1990.*

* cited by examiner

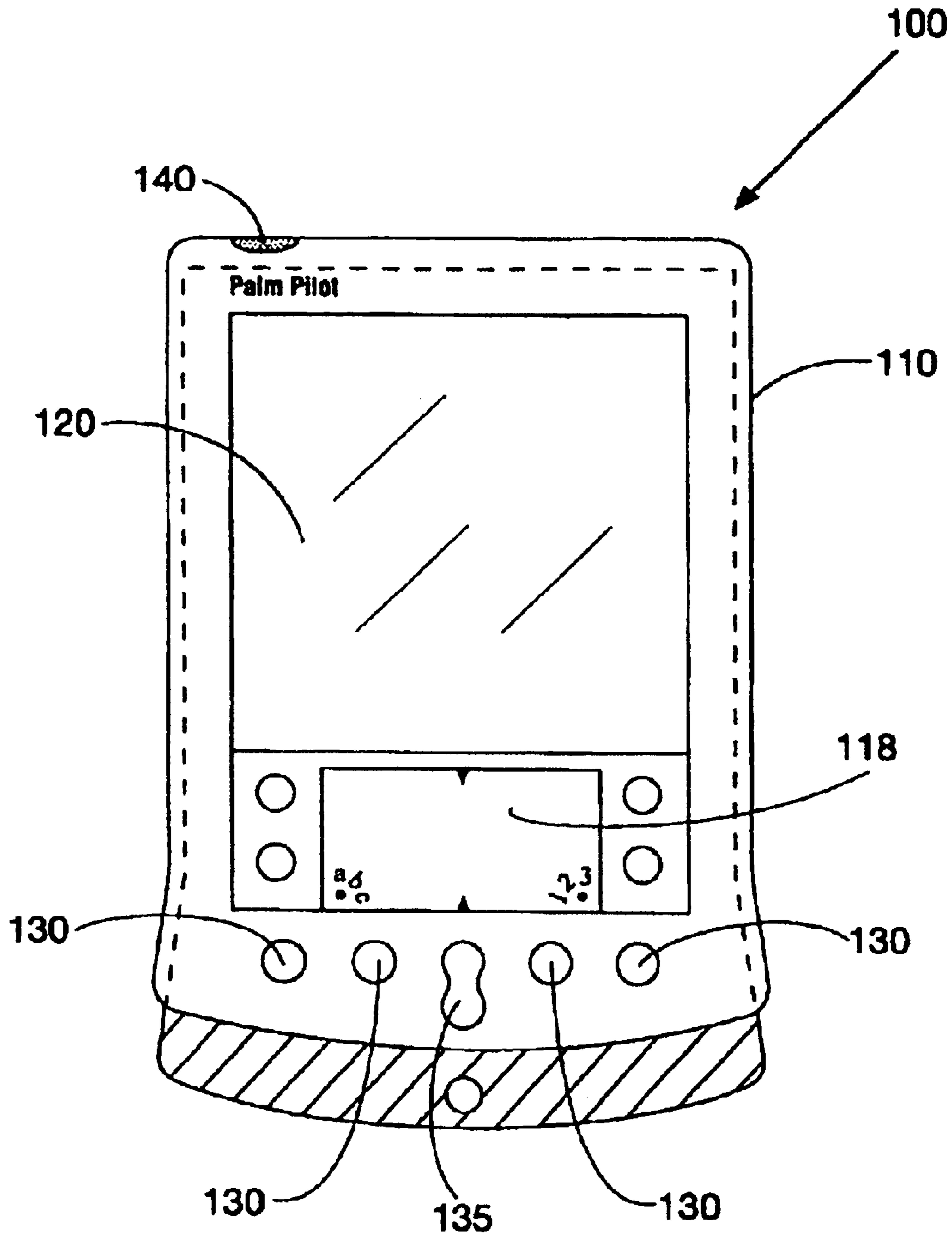


FIG. 1
(PRIOR ART)

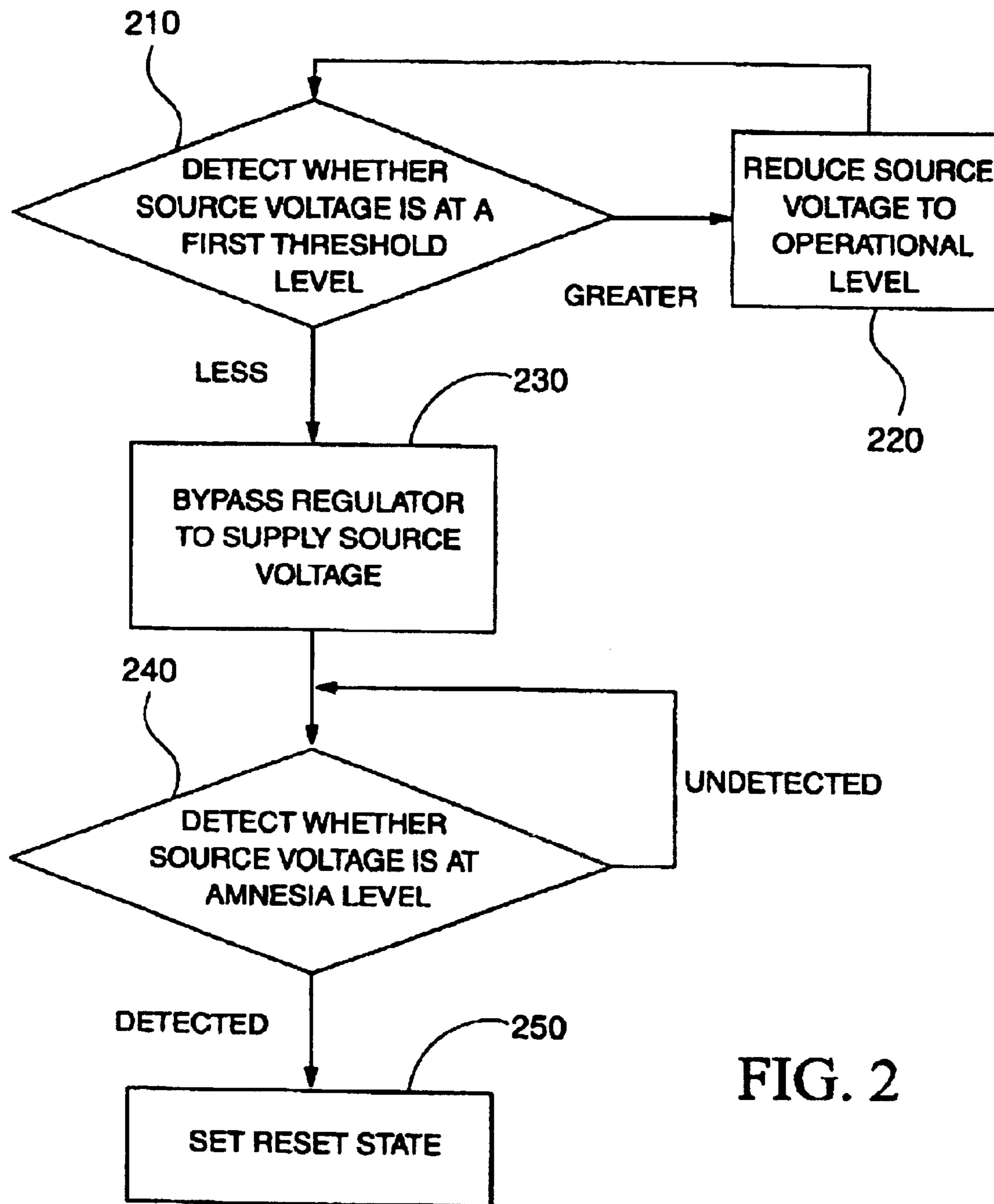


FIG. 2

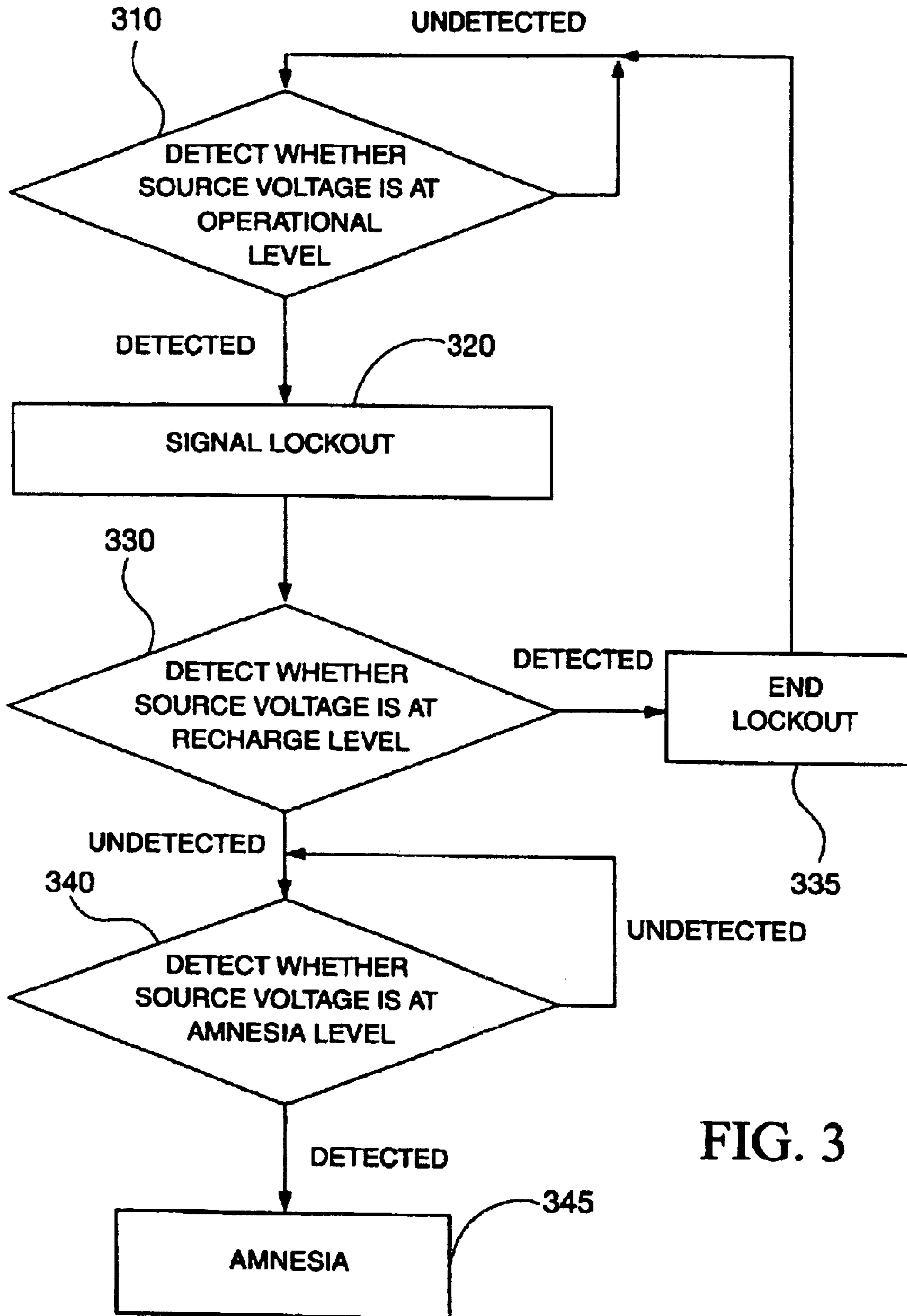


FIG. 3

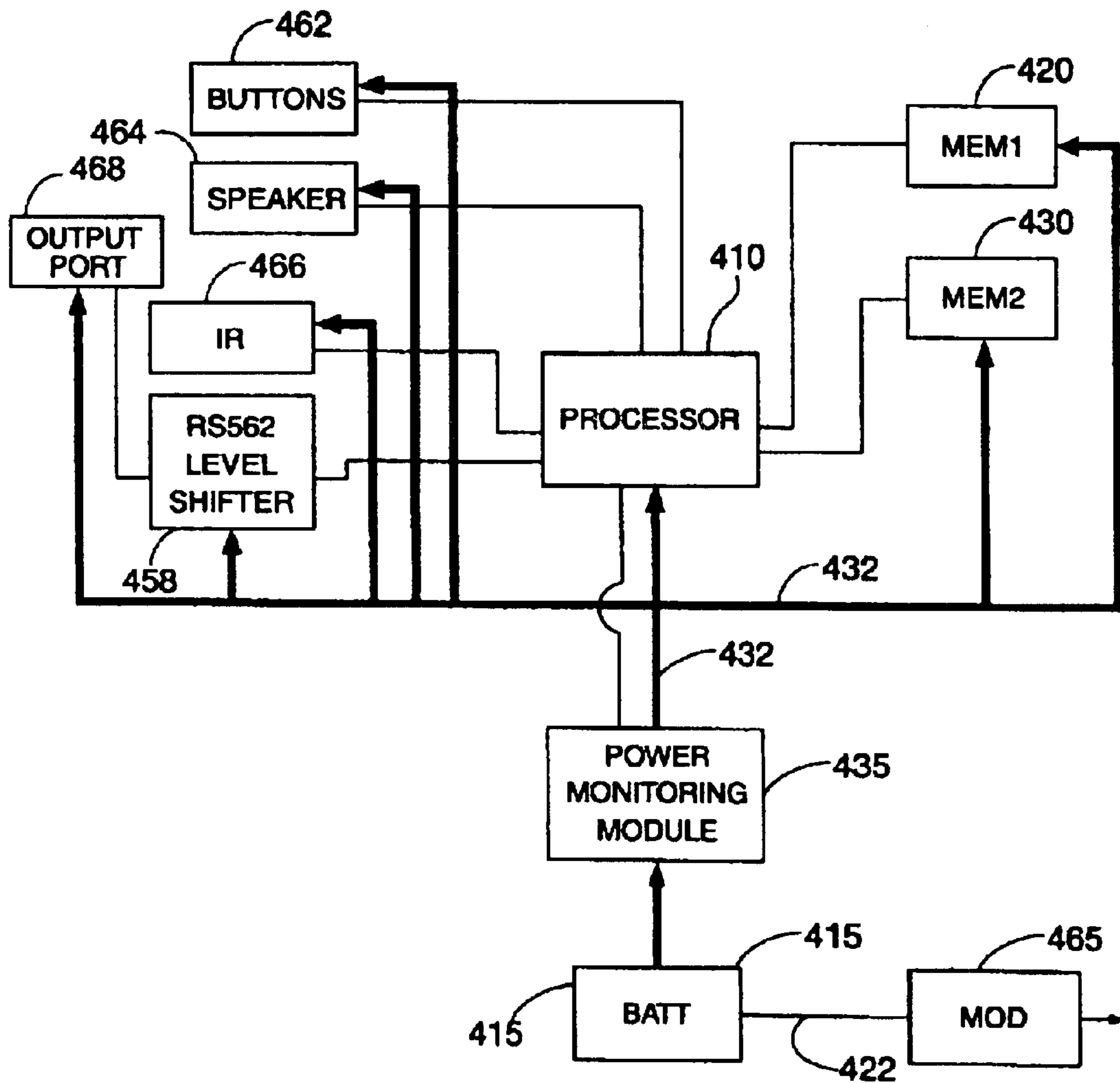


FIG. 4

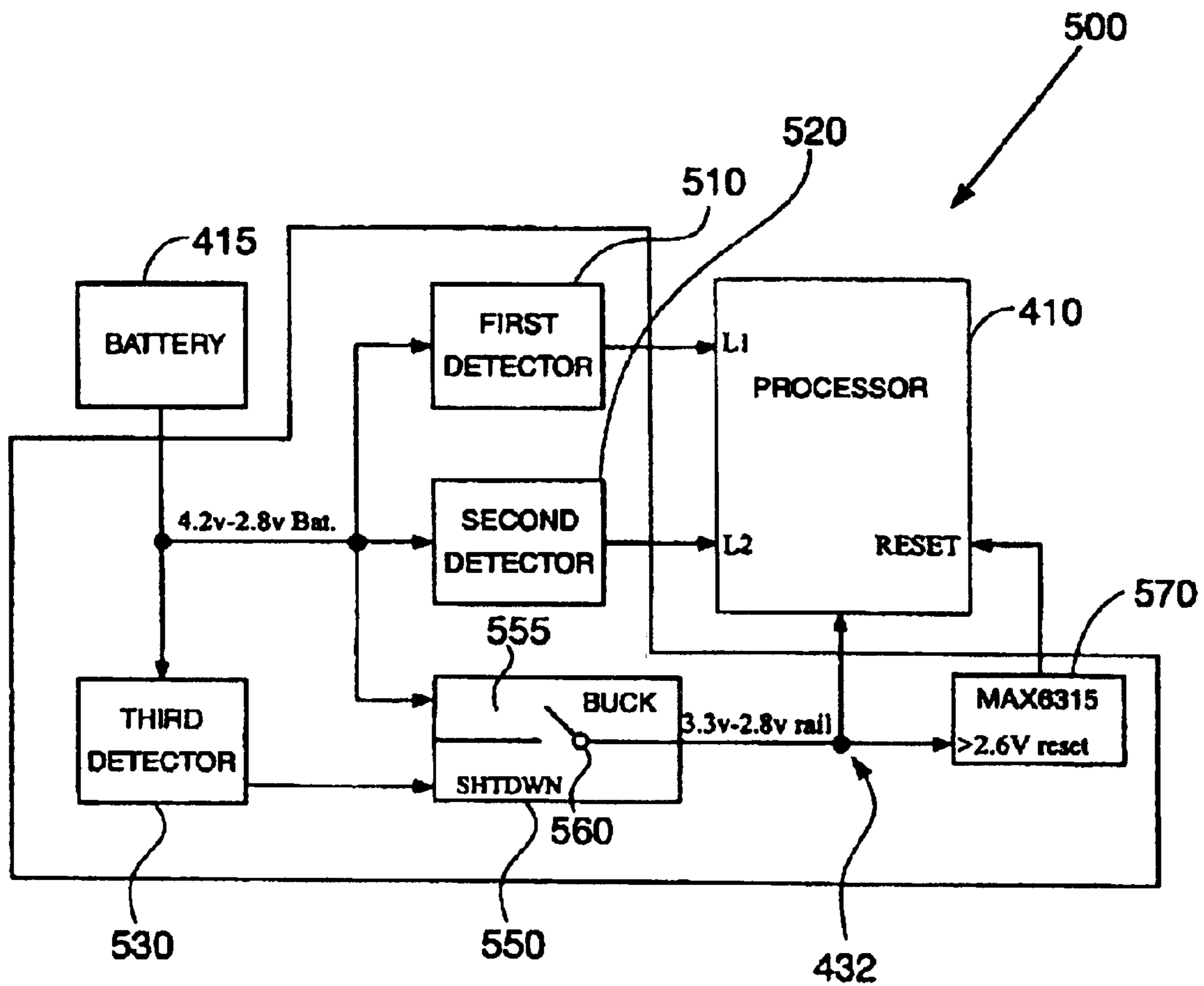


FIG. 5

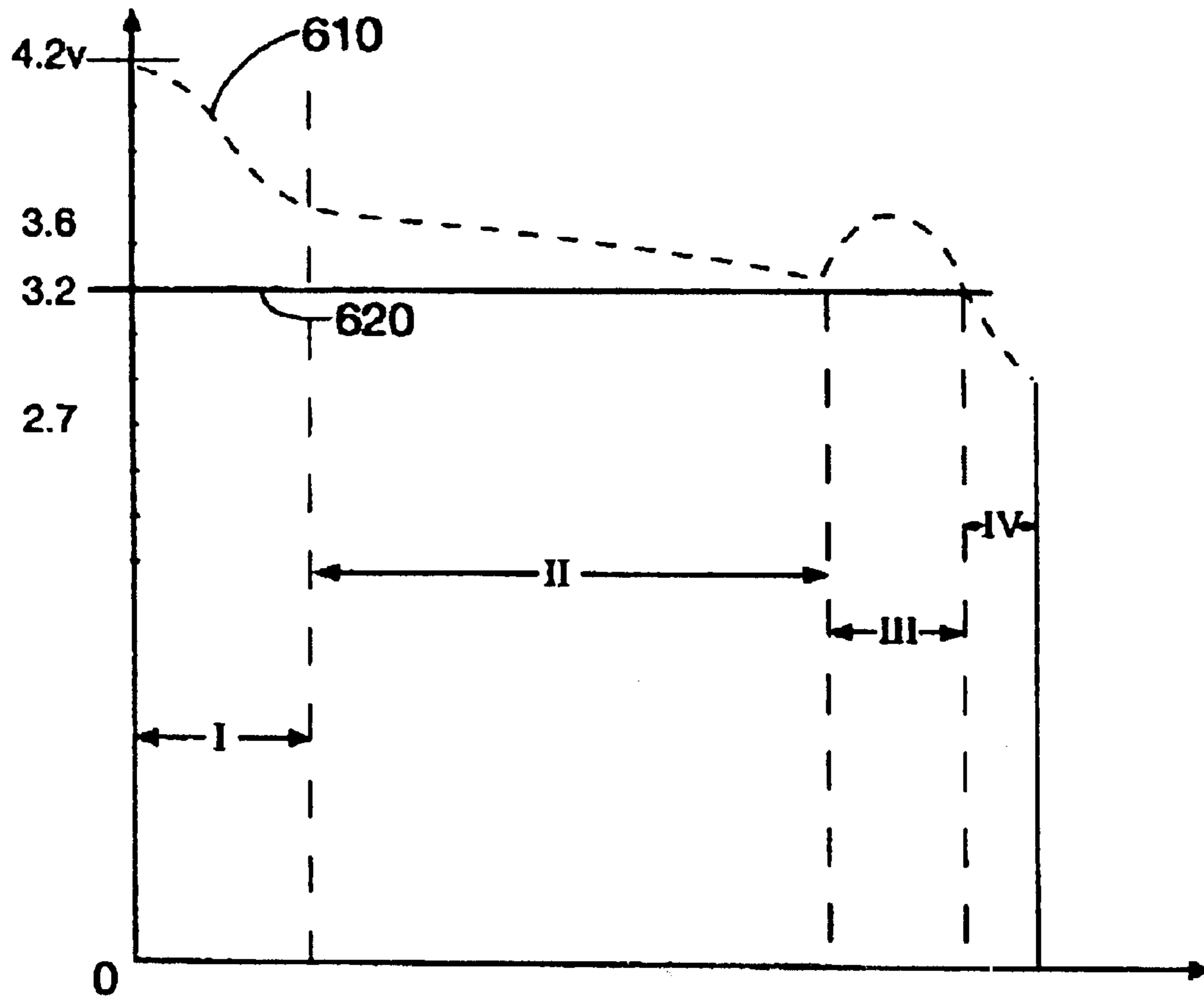


FIG. 6

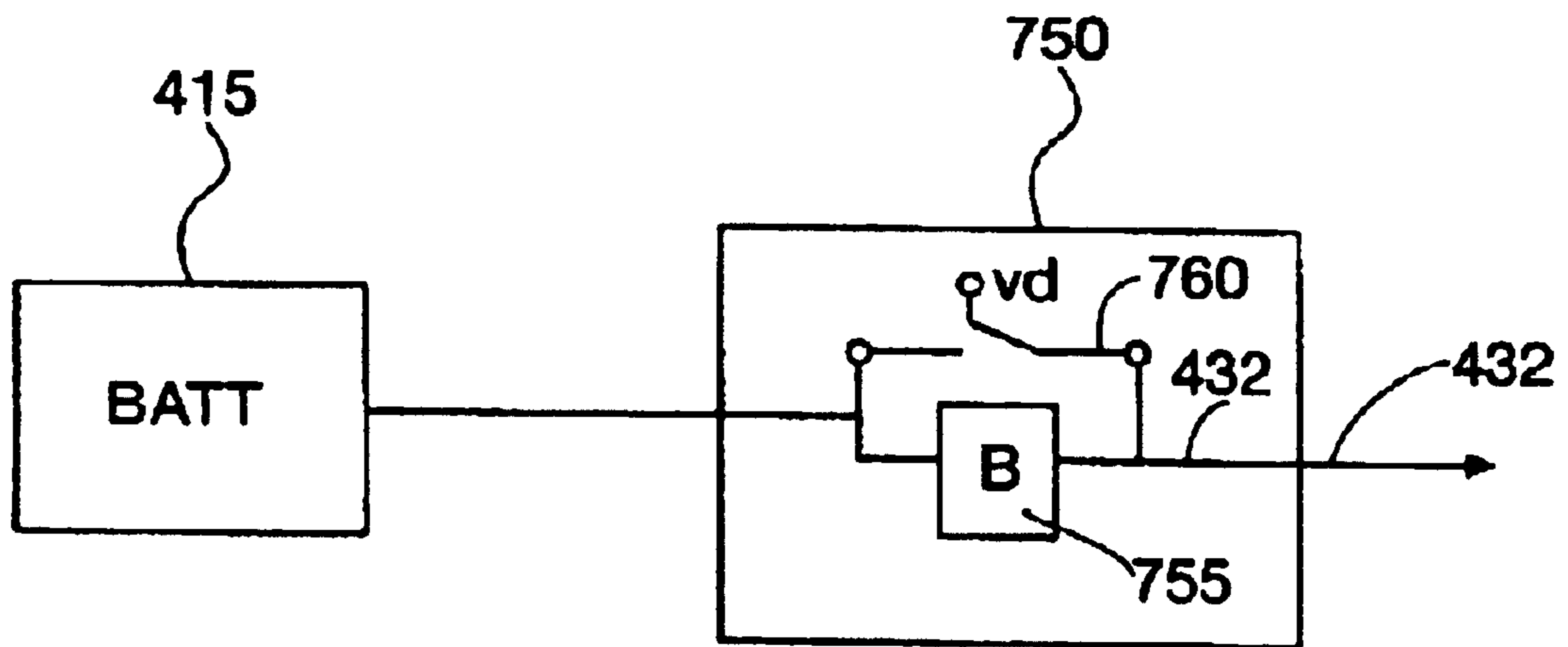


FIG. 7

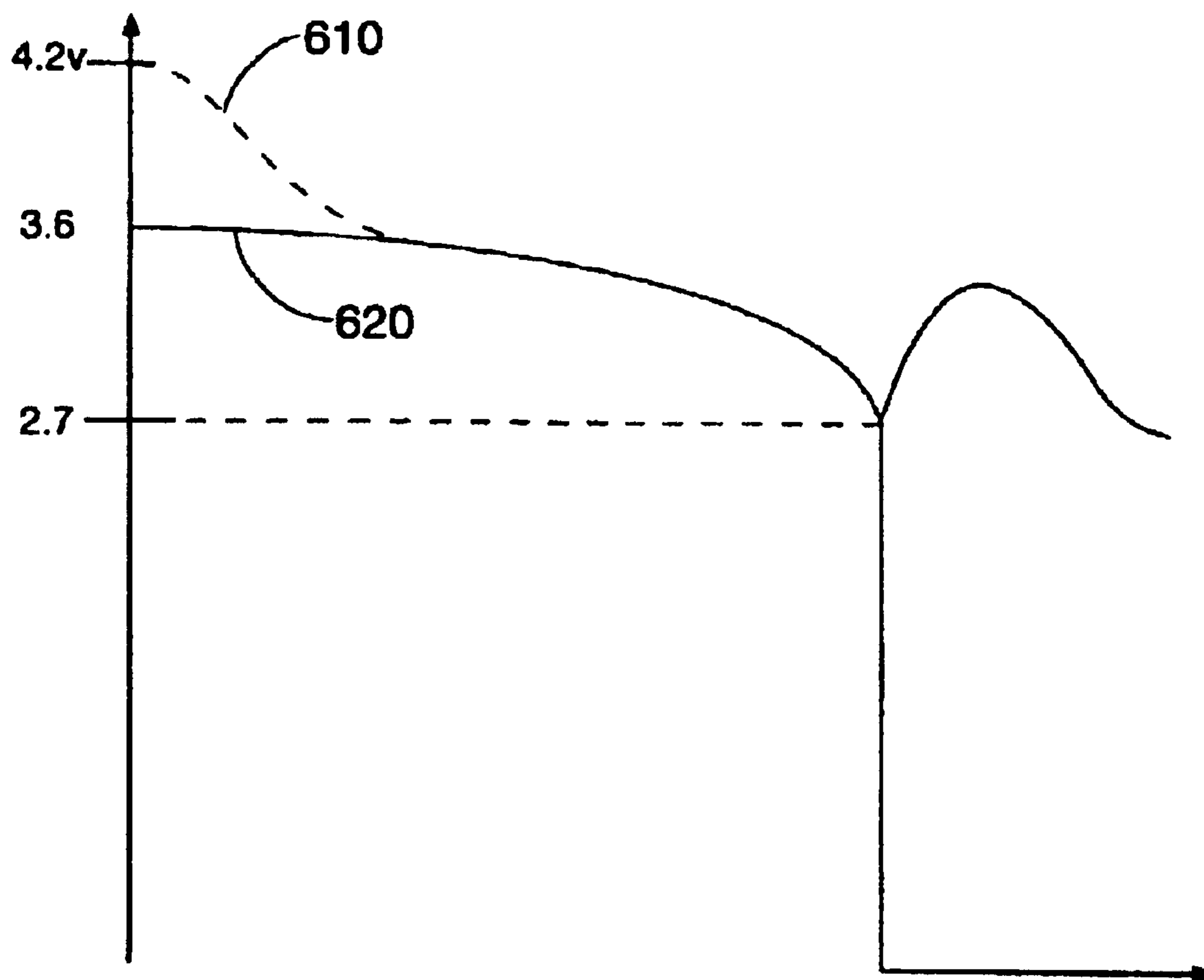


FIG. 8

1

METHOD AND APPARATUS ALLOWING A BATTERY TO REGAIN CHARGE IN A HANDHELD DEVICE WITHOUT AN APPLIED EXTERNAL CHARGE WHILE STILL SUPPLYING POWER SELECTED DESIGNATED COMPONENTS

Matter enclosed in heavy brackets [] appears in the original patent but forms no part of this reissue specification; matter printed in italics indicates the additions made by reissue.

RELATED APPLICATIONS

This application incorporates by reference in its entirety the content of U.S. patent application Ser. No. 09/587,087, entitled Power Management System for a Handheld Computer, filed May 31, 2000.

BACKGROUND OF THE INVENTION

1. Field of the Invention

This invention relates to the field of handheld computers. In particular, the invention relates to battery management of handheld computers.

2. Description of the Related Art

Handheld computers are portable battery-operated units. Typically, handheld computers are used in the field, or carried on a person. The handheld computers may be docked with personal computers to exchange or synchronize information. Functions provided by handheld computers include management of databases, such as for example, calendars and phone numbers.

Battery management is an important consideration for handheld computers. Improved battery management preserves costs associated with replacing batteries for the handheld computer.

Increasingly, handheld computers employ rechargeable batteries. To recharge batteries, handheld computers are docked in docking stations or coupled to electrical outlets. The portability of these handheld computers is limited by the need to recharge or replace the batteries of the handheld computer.

SUMMARY OF THE INVENTION

A handheld computer is provided a regulator to manage a battery module. The regulator receives a battery voltage, and outputs a regulated voltage for logical components of the handheld computer. When an amplitude of the battery voltage is greater than a designated operational voltage level, the regulator reduces or bucks the battery voltage to output a regulated voltage profile for components of the handheld computer. When the amplitude of the battery voltage is less than the designated operational voltage, the regulator implements a full duty-cycle to output an unregulated voltage that matches the battery voltage being supplied to the regulator.

BRIEF DESCRIPTION OF THE FIGURES

FIG. 1 illustrates a handheld computer, under an embodiment of the invention.

FIG. 2 is a flow process for managing power in a handheld computer, under an embodiment of the invention.

FIG. 3 is a flow process for managing power in a handheld computer, under an embodiment of the invention.

FIG. 4 is a block diagram of internal components of a handheld computer, under an embodiment of the invention.

2

FIG. 5 is a block diagram of a handheld computer with a power management module under an embodiment of the invention.

FIG. 6 is a voltage profile diagram for an output of the regulator such as shown by FIG. 3, compared output of a battery module for the handheld computer.

FIG. 7 illustrates another regulator including a switching element to affect regulating characteristics, under an embodiment of the invention.

FIG. 8 is a voltage profile diagram of an output of the regulator such as shown by FIGS. 3 and 7, compared with an output of a battery module of the handheld computer, under an embodiment of the invention.

DETAILED DESCRIPTION

A. System Overview

An embodiment of the invention provides a regulator for a handheld computer. The regulator receives a voltage supplied from a battery module, and outputs a logic level voltage to components of the handheld computer. The regulator regulates the battery voltage to extend the life of the battery module.

In an embodiment, the regulator implements a bypass when the battery voltage drops below a designated level. When the bypass is implemented, the output of the regulator matches the battery voltage received by the regulator. In an embodiment, handheld computer can perform some functions when the bypass mode is implemented, such as maintain a sleep mode, preserve memory, or sound an alarm. In another embodiment, handheld computer 100 includes a monitoring module to remove most of the load from the battery, when the voltage level of the battery module drops below a certain level. When the load is removed, the battery module regains some voltage. The extended life of the battery module is then used to preserve memory.

Among other advantages, embodiments of the invention provide for a handheld computer having an extended battery life. Further, regulating components such as voltage boosters are eliminated, thereby simplifying regulator circuitry and extending battery life of the handheld computer.

B. Handheld Computer for Use with an Embodiment

FIG. 1 illustrates a handheld computer 100 for use with an embodiment of the invention. An exemplary handheld computer includes, for example, Palm Pilot®, Palm III®, Palm V® or Palm VII® organizer manufactured by Palm, Inc. Other exemplary handheld computers include devices operating on a Windows CE® operating systems.

In an embodiment, handheld computer 100 includes a housing 110. A display 120 is accessible from a front of the housing 110. The display includes a Graffiti® writing section 118 to allow users to select menus and enter information. A plurality of application buttons 130 are available from the front of the housing 110. A rocking switch actuator 135 is positioned on a surface of housing 110 to manipulate or change the configurations of display 120. A speaker (not shown) may be provided on a surface of the housing 110.

The handheld computer 100 may include an infra-red port 140 to transfer and receive information across one type of wireless medium. The handheld computer 100 may also include a port to enable communications with another device, such as for example a communication cradle (not shown). The communication cradle may be employed to synchronize or transfer information to another computer, such as a desktop computer.

The handheld computer 100 may operate in different power states. As described herein, handheld computer 100 may be awake, in which case input and output components

of handheld computer are operable. The handheld computer **100** may be asleep, in which case the handheld computer is operable, but not active. When sleeping, handheld computer may be switched to an awake state through user-input. The handheld computer **100** may also implement a lock-out, in which case the handheld computer may be asleep or operating in a reduced power state, while locking the user out from powering the computer to an awake state. In one embodiment, battery power is used primarily to preserve memory when handheld computer **100** is in the lock-out state. The handheld computer **100** may also be in a reset state. In the reset state, the handheld computer **100** is detached from a battery source, until sufficient power is detected from the battery to erase the memory.

C. Process Flow for Managing Power to Handheld Computer

FIG. 2 illustrates a process for operating a power management system, under an embodiment of the invention. The process may be implemented on handheld computer **100** through use of hardware components. However, other embodiments may implement the flow process through firmware, software, or a combination of hardware and programming.

For discussion, handheld computer **100** is assumed to operate off of a rechargeable battery module **415** (see FIG. 4). The battery module may include one or more individual batteries. Preferably, the battery modules are lithium-ion type batteries. The battery module supplies a source voltage to power internal components of the handheld computer that operate at logic levels, including a processor **410** (FIG. 4) and a memory **420, 430** (FIG. 4). The battery module may also provide one or more voltages that are modified for other components not operating under logic levels. For example, the battery module may provide voltages that are raised or stepped to power displays, digitizers and/or analog/digital converters.

In step **210**, the source voltage from a rechargeable battery module **415** is detected as to whether the source voltage is greater than a first threshold level. Preferably, the first threshold level is an operational level designated for handheld computer **100**. The operational level includes a voltage level range that is suitable for executing logical operations by internal components of handheld computer, including processor **410** and memory **420, 430**. In an embodiment, the designated operational voltage level may range between 3.0 and 3.4 volts, and preferably is about 3.2 volts. When the battery module is fully charged, the source voltage is greater than the designated operational level. For example, the maximum source voltage can be between 4.2–4.4 volts. Without the battery module being recharged, the source voltage drops to the first threshold, where it is detected.

If the level of the source voltage is greater than the operational level designated for handheld computer **100**, then the source voltage is reduced in step **220** to the operational level designated for handheld computer **100**. The source voltage may be reduced by regulator **550**, shown in FIG. 5.

If the level of the source voltage is less than the detected level, then in step **230**, the regulator is bypassed, and the source voltage is directly supplied to at least some of the internal components of the handheld computer. The handheld computer **100** does not buck or boost the source voltage in supplying the source voltage to the handheld computer **100**. This is in contrast to other devices, which may boost the source voltage to the operational level.

In an embodiment, the regulator is bypassed only when the source voltage level is at a level that cannot feasibly sustain normal operations of the handheld computer **100**. In

one embodiment, once the source voltage falls below the designated operational level of the handheld computer **100**, handheld computer **100** initiates a lockout of the software to preserve memory data. During the lockout, the processor performs minimal functions, while memory is being sustained. User-interaction is prevented during the lock-out. Other internal components of handheld computer **100** may be signaled to stop drawing power from the battery module.

Preferably, the designated operational level is 3.6 volts. When the source voltage is greater than 3.6 volts, the regulator reduces the source voltage to 3.6 volts. Once the source voltage decreases below 3.6 volts, the source voltage passes through the regulator with no voltage modification.

In step **240**, the source voltage is detected as to whether the source voltage is at an amnesia level. At the amnesia level, the source voltage is not sufficient to perform basic operations, such as sustaining memory. Prior to reaching this level, most components of handheld computer **100** should have been switched off to stop drawing power from the battery module.

If the source voltage is detected to be at the amnesia level, then in step **250**, handheld computer **100** is in a reset state. The battery module is detected from the processor and memory. Once the battery module is recharged, all memory in handheld computer is erased. This avoids hardware damage to components of handheld computer **100**, including the memory **420, 430**.

In other embodiments, the source voltage may initially be detected for a level that is different than the designated operational level of the handheld computer **100**, while the regulator **550** (FIG. 5) may be configured to output the source voltage at the designated operational level of the handheld computer. For example, the source voltage may be detected for a level of 3.8 volts. If the source voltage is greater than 3.8 volts, then the regulator reduces the source voltage to 3.6 volts. Once the source voltage falls below the first detected level, then the source voltage is unregulated.

Still further, in other embodiments, once the source voltage falls below the first threshold level, additional components of the handheld computer **100** other than processor **410** and memory **420, 430** may be operable. For example, a user may still input data through application buttons, or use a serial port to synchronize information from handheld computer **100** to a desktop.

FIG. 3 illustrates another power management process for handheld computer **100**, under another embodiment of the invention. With a process described by FIG. 3, handheld computer **100** employs a “keep alive” voltage to preserve memory. Certain types of battery modules have an inherent characteristic of regaining some voltage once a load is removed from the battery. In particular, lithium type batteries exhibit an inherent property of regaining voltage levels after the load is removed or reduced. In an embodiment, handheld computer **100** includes a battery module **415** (see FIG. 4) having this inherent feature to prolong the duration in which memory can be preserved, without recharging the batteries.

In step **310**, the source voltage is detected as to whether the source voltage is at the designated operational level. If the source voltage is detected to be at or below the operational level, then a lockout is initiated in step **320**. During the lockout, internal components of handheld computer **100**, including input and output mechanisms, are switched to stop drawing power from the battery module. The handheld computer **100** also locks out the user from being able to awaken the processor or operate it in anyway. Preferably, the processor and memory are the only components receiving power

from battery module. In this way, most of the load on the battery module is removed, so that the battery module to regain some of its voltage without receiving an external charge.

The increase charge to the battery module **415** once the load is removed is referred as the “keep-alive” voltage. The keep-alive voltage is used to sustain memory voltage within handheld computer **100**. In a keep-alive mode, the lockout remains in force while the battery module **415** is allowed to increase.

In step **330**, the source voltage is detected to determine if the level of the source voltage is greater than a recharge level. The recharge level indicates that the battery module **415** is recharged. In an embodiment, recharge level is sufficiently greater than the operational level of handheld computer **100** to indicate that the increased charge level is not a result of inherent chemical characteristics of the battery module **415**, but rather the actual presence of an external change. Preferably, the recharge level is 3.7 volts.

If the source voltage is detected to be greater than the recharge level, then in step **335** the processor is signaled to end the lockout. The flow process then returns to step **310**.

If the source voltage is not detected to be greater than the recharge level, then in step **340**, the source voltage is detected again to determine whether the source voltage is at the amnesia level. The amnesia level corresponds to a minimum voltage designated as being the cut-off for avoiding damage to handheld computer **100**. In an embodiment, the amnesia level is about 2.8 volts.

Once the source voltage is detected as falling below the amnesia level, the handheld computer **100** resets in step **345**. This includes erasing the memory to avoid damage.

In other embodiments, software features may be included to assist managing power to components of handheld computer **100**. In one embodiment, the source voltage is detected to be at a warning level. For example, the warning level may be 3.76 volts. One or more detectors may be used to detect the source voltage from the battery module and to signal the processor when the source voltage is detected to be below the warning level. If the source voltage is detected to be at the first warning level, then the warning condition is signaled to a user of handheld computer **100**. Preferably, the warning condition is an audible or visual alert.

The handheld computer **100** may be operable after the first warning condition is satisfied. For example, the processor may be awakened by user-input to execute one or more applications. Further, data may be entered into handheld computer **100**, display **120** may be powered to display data, etc.

If the source voltage is detected to be at the first warning level, then a second warning condition may be detected. Preferably, the second warning condition is detected by processor **410** (FIG. **4**) if the battery module **415** (FIG. **4**) is not recharged during a designated time period after the source voltage was detected to be at the first warning level. For example, the second warning condition may be detected if handheld computer **100** remains in a sleep state for three days without being charged. The second warning condition may also be detected if handheld computer **100** is operated in an awake state for 60 minutes after the first warning condition is satisfied.

D. Hardware for Power Management System of Handheld Computer

FIG. **4** illustrates a block diagram of handheld computer **100**, using a rechargeable battery module **415** under an embodiment of the invention. A power monitoring module **435** is coupled to the battery module **415**. The power moni-

toring module **435** regulates the source voltage for the internal components of the handheld computer **100**.

In an embodiment, handheld computer **100** includes internal components such as processor **410**, volatile memory **420**, and non-volatile memory **430**. The processor **410** is coupled to application buttons **462**, a speaker **464**, an IR port **466**, and an output port **468**. Other components that can be signaled by processor include universal asynchronous (UART) (not shown). The power monitoring module **435** signals processor **410** information about the voltage level of the battery module **415** to enable the processor **410** to manage the load on the power supply.

In an embodiment, the first and second memory components **420**, **430** may comprise a Flash memory and a dynamic random access memory (DRAM). An RS **432** level shifter **458** couples processor **410** to output port **468**. In an embodiment, output port **468** is used to establish communications with another computer such as a personal computer. Preferably, processor **410** is a Dragonball 68328EZ®, manufactured by the Motorola Corp.

A power rail **432** carries the source voltage to components of handheld computer **100** that operate at logic levels. The power monitoring module **435** receives the source voltage from the battery module **415**. The power monitoring module **435** controls the source voltage being supplied to power rail **432**.

In an embodiment, power monitoring module **435** reduces the source voltage when the source voltage is above the operational level of handheld computer **100**. In addition, the source voltage is fed directly to power rail **432** when the level of the source voltage falls below a specified level, preferably below the operational level of handheld computer **100**. Further, power monitoring module **435** is configured to allow a keep-alive voltage of the rechargeable battery module to maintain memory operations in handheld computer **100**. The power monitoring module **435** includes components to signal the processor **410** detection levels of the source voltage. The processor **410** then implement the power management controls.

With further reference to FIG. **4**, an embodiment includes a voltage modifier **456** may receive a battery input via a display power line **422**. The voltage modifier **456** converts the direct current (DC) on display power line **422** to an alternating voltage with a high-gain amplitude.

Referring to FIG. **5**, a block diagram illustrates the power management system **500**, under an embodiment of the invention. The power management system **500** includes rechargeable battery module **415**, processor **410**, and power monitoring unit **435**. The power monitoring unit **435** includes first detector **510**, second detector **520**, third detector **530**, and regulator **550**.

In one embodiment, regulator **550** include a buck component **555**. The buck component **555** refers to a characteristic or feature of regulator **550** that causes source voltage passing through the regulator to be reduced. The regulator **555** may also include a bypass switch **560**. The bypass switch **560** is preferably an inherent characteristic of the buck component **555** or regulator **550**. The bypass switch causes the source voltage to bypass the buck component at specific voltage levels. For example, switch **560** may be an inherent characteristic of the buck component **555**, caused by inductive properties incorporated into the buck component **455**. The inherent characteristics of regulator **550** determine a voltage at which the regulator stops regulating, and bypasses the source voltage from the battery module **415** to power rail **432**. In an embodiment, the regulator bypasses the source voltage when the source voltage is at the operational level of handheld computer **100**.

Alternatively, switch **555** can be a transistor tied to a switching voltage, and the switching voltage may correspond to the operational voltage of handheld computer **100** or another voltage. An example of this embodiment is shown with FIGS. **7** and **8**.

In an embodiment, first detector **510** detects when the source voltage is at the operational level. Preferably, the minimum operational level is designated at approximately 3.2 volts. The first detector **510** signals processor **410** when the source voltage reaches this level. In response, processor **410** initiates a protective measure.

In an embodiment, the processor **410** initiates the lock-out state as the protective step. During the lock-out state, the processor **410** locks out the software, and signals other components to stop drawing power from rail **432**. The remaining power from battery module **415** is used to sustain memory. Other minimal functions may be performed, but once the lock-out state is initiated by processor **410**, the load on battery module **415** is significantly reduced, while memory is maintained.

A second detector **520** is coupled to the first detector **510** and the battery module **415** to detect a recharge event. A recharge event is detected by processor **410** only if the first detector **510** has already signaled the processor **410** that the source voltage is below the operational level. If recharge is detected by processor **410** from second detector **520**, both the first and second detectors are reset.

The regulator **550** receives the source voltage from battery module **415**. The regulator reduces the source voltage if the source voltage is greater than the operational level of handheld computer **100**. If the source voltage falls below the operational level, the regulator **550** passes the source voltage through without modification. In an embodiment, buck component **555** of regulator **550** is bypassed once the source voltage falls below the operational level. The bypass may be implemented by switch **560**. Inherent features of the regulator **550** detect the level of the source voltage. Therefore, regulator **550** operates independently of the detectors **510–530**.

As mentioned, when first detector **510** is triggered, processor **410** initiates the lock-out to preserve memory data. This reduces the load on the battery module **415**, allowing the battery module to increase in voltage. The level of the source voltage may increase above the operational level again, once the first detector **510** is triggered. However, since second detector **520** must be triggered before first detector **510** is reset, the lock-out is not terminated. The second detector **520** is set to detect a voltage level that is sufficiently large to clearly indicate a recharge event, rather than an inherent increase due to the chemistry of the rechargeable battery.

The third detector **530** detects when the source voltage reaches a minimum level for sustaining memory operations. If the third detector is triggered by the source voltage reaching the amnesia level, power on the rail **432** is discontinued. Upon a subsequent power-up, if the source voltage is detected to be greater than the amnesia level, reset mechanism **570** signals processor **410** to reset the handheld computer.

E. Voltage Profiles for Handheld Computer

FIG. **6** is a voltage profile illustration of a profile for the source voltage from battery module **415** (source voltage profile) compared with an output of regulator **550** to rail **432** (rail voltage profile), under an embodiment of the invention. The comparison illustrated by FIG. **6** assumes that battery module **415** is used continuously from a maximum charge without being recharged. For reference, the source voltage

profile is designated by numeral **610**. The rail voltage profile is shown by numeral **620**. Voltage values provided in FIG. **6** or elsewhere in the text are provided as examples.

In an embodiment, source voltage profile **610** corresponds to an output of the battery module **415** comprising a Lithium-ion type battery pack. When the battery module **415** is operated from a fully charged state with no additional power input, the amplitude of the source voltage profile **610** is assumed to decrease continuously while handheld computer **100** is used frequently. However, the features and characteristics of the source voltage profile **610** depend on the nature of use of handheld computer **100**, as well as the power consumption characteristics of handheld computer **100**.

The source voltage profile **610** is described with respect to multiple time intervals. In Interval I, the amplitude of source voltage profile **610** decreases non-linearly from a maximum voltage level. In one embodiment, the maximum voltage level may be approximately 4.2 volts.

In Interval II, the source voltage profile **610** decreases gradually from an initial steady-state voltage level. The initial steady-state range may correspond to 3.6 volts. For description, Interval II ends when the source voltage profile **610** has an amplitude equal to the operational level of handheld computer **100**. During Interval I and II, the regulator **550** reduces the source voltage to a constant level corresponding to the operational level designated for handheld computer **100**. As a result, the rail voltage profile **620** is constant during Interval I and II.

During Interval I and II, the source voltage provided on rail **432** is sufficient to enable a user to have complete use of handheld computer **100**. However, during Interval I and II, warning levels may be detected by software-implemented power management systems.

In Interval III, the load applied to source voltage profile **610** is removed. The load may be removed when processor **410** implements the software lockout of handheld computer **100**. The reduction of the load on the battery module **415** causes an increase in source voltage profile **610**, due to internal resistance of the rechargeable battery module **415**. The rise in voltage in Interval III is the “keep-alive” voltage. During keep-alive, the peak of the source voltage may be as much as 3.6–3.7 volts. The “keep-alive” voltage is used primarily to preserve the data in the memory when the load on the battery module **415** is reduced.

During Interval III, the regulator **550** preferably reduces the source voltage when the source voltage is detected to be above the minimum operational level of handheld computer **100**. This prolongs the duration of the “keep-alive” voltage (Interval III). The rail voltage profile **620** is therefore constant, at the designated operational level of handheld computer **100**.

During Interval IV, source voltage profile **610** decreases below the operational level of handheld computer **100**. Once the level of the source voltage drops below the operational level, the regulator **550** feeds the source voltage to power rail **432** without modification. When the regulator **550** is bypassed, the source voltage and rail voltage profiles **610** and **620** exhibit the same or similar behavior. In other words, the rail voltage profile **620** decreases with the source voltage profile **610**.

In an embodiment, regulator **550** includes buck component **555**, which is bypassed during Interval IV. Before regulator **550** is bypassed, the rail voltage profile **620** represents a fractional duty cycle of source voltage profile **610**. After the buck component **555** is bypassed, the rail voltage profile **620** represents a full duty cycle of source voltage profile **610**.

From the maximum, the source voltage profile **610** and rail voltage profile **620** may decrease sharply from the peak

of the “keep-alive” voltage. During Interval IV, the voltage carried on rail **432** is used to preserve the memory data. Unless a recharge is detected, the level of the source voltage decreases until the amnesia level (2.8 volts) is detected, and then handheld computer **100** is reset.

In this way, the “keep-alive” voltage (Interval IV) extends the duration in which memory can be preserved without recharging the handheld computer **100**. Moreover, use of regulator **550** to reduce the source voltage to the operational level extends the life of battery module **415** with one charge.

In contrast, other known handheld computers do not implement a bypass mode or full-duty cycle when powered by a rechargeable battery. Some other devices implement a booster to boost the level of the source voltage. This reduces the time in which the user of handheld computer can recharge the battery without losing memory data.

F. Alternative Embodiments

FIG. **7** illustrates a regulator **750** for use with handheld computer **100**, under another embodiment of the invention. As with embodiments described by FIG. **3**, regulator **750** may be coupled within handheld computer **100** to regulate the source voltage profile from battery module **415**.

The regulator **750** may include a regulator switch **760** to switch the regulator into the bypass. The regulator switch **760** may be set to switch the source voltage so as to bypass the buck component **755** regulator **750**. Thus, the regulator **750** may implement the bypass at a voltage determined by the regulator switch **760**. The regulator switch **760** may be tied to a specific voltage to determine the switching level.

FIG. **8** is a voltage profile illustration of the source voltage profile **610** compared with the rail voltage profile **820** for regulator **750**. As shown by an embodiment of FIG. **8**, regulator **750** is set so that buck component **755** is bypassed at a voltage determined by the switching voltage of a regulator switch **760**. The rail voltage profile **820** matches the source voltage profile once the source voltage is detected to beat the switching voltage. In this embodiment, rail voltage profile **820** enables handheld computer **100** to include more functionality. The lock-out feature may still be implemented to create a keep-alive voltage. If the rail voltage profile **820** matches the source voltage profile **610**, then the increased voltage could be used to increase functionality to handheld computer **100** during the “keep-alive”, albeit for a shorter time period.

In an embodiment such as shown by FIGS. **7** and **8**, the regulator switch **460** may be set approximately to, for example, 3.6 volts. Once the voltage supplied from battery module **415** decreases to the switching voltage, regulator switch **760** causes buck component **755** to be bypassed. As a result, power rail **432** is supplied voltage from battery module **415** at a full duty-cycle. The switching voltage and regulator switch **760** may be manipulated to allow buck component **755** to be bypassed at a different switching voltage. This allows power rail **432** to operate off a full duty-cycle sooner or later in relation to the source voltage profile **610**.

G. Examples of Regulator Components

An example of a regulator for use with an embodiment such as described with FIGS. **5–7** is a 1474 Linear Tech power supply controller, manufactured by Linear Tech Inc. The 1474 Linear Tech controller includes an inductive component to cause the source voltage to bypass modification. Further, 1474 Linear Tech controller produces an output such as described with FIG. **6**. An additional switch may be employed with the 1474 Linear Tech component to create a regulator profile such as described with FIG. **8**.

As an alternative, a low drop-out (LDO) regulator may be employed with an embodiment of the invention. An example

of a LDO regulator includes 801 Seiko LDO, manufactured by Seiko Inc. While the LDO regulator may lack an inductive component such as described with FIGS. **3** and **5**, the LDO regulator may provide bucking characteristics similar to embodiments described with FIGS. **5–7**. A switch may be used to implement the bypass of the source voltage to the power rail **432**.

H. Conclusion

The foregoing description of various embodiments of the invention has been presented for purposes of illustration and description. It is not intended to limit the invention to the precise forms disclosed. Many modifications and equivalent arrangements will be apparent.

What is claimed is:

1. A handheld computer comprising:

a rechargeable battery module to output a source voltage; a power management module coupled to the battery module to regulate the source voltage from the battery module;

a plurality of internal components including a processor and a memory component that draw power from the source voltage; and

wherein in response to the source voltage falling below a first threshold, the power management module signals a lockout that reduces the number of internal components that are powered by the source voltage;

wherein in response to the number of internal components that are powered by the source voltage being reduced, —the battery module is configured to regain a charge for an interval after the lockout is signaled, wherein no external charge is applied to the battery module during the interval; and

wherein during the interval, the battery module applies the charge to maintain the source voltage at a level that is sufficient to sustain a designated one or more, but not all, of the plurality of internal components.

2. The handheld computer of claim 1, wherein the level of the source voltage that is sufficient to sustain the designated one or more of the plurality of internal components has a peak of between 3.3 and 3.6 volts.

3. The handheld computer of claim 2, further comprising a rail coupled to the power management module to extend the source voltage to the plurality of internal components.

4. The handheld computer of claim 1, wherein the designated one or more of the plurality of internal components includes at least one of the—memory component and the processor.

5. The handheld computer of claim 2, wherein the power management module signals the sustaining source voltage to only the memory component and the processor in the plurality of internal components, and wherein the plurality of internal components include a display, a speaker, and an input device.

6. The handheld computer of claim 1, wherein the power management module signals the lockout to the processor, and the processor causes some of the components in the plurality of components to stop drawing power from the battery module.

7. The handheld computer of claim 3, wherein the power management module includes a first detector to detect when the source voltage is below the first threshold.

8. The handheld computer of claim 7, wherein the first threshold corresponds to an operational level of the handheld computer.

9. The handheld computer of claim 7, wherein the power management module includes a second detector to detect

11

when the source voltage declines to an amnesia level that is designated to trigger the memory component to be erased.

10. The handheld computer of claim 8, wherein the power management module signals the source voltage from the battery module to the rail without regulating the source voltage when the source voltage decreases below the operational level of the handheld computer.

11. The handheld computer of claim 1, wherein the battery module is a lithium type rechargeable battery.

12. The handheld computer of claim 9, wherein the first threshold is between 3.0 volts and 3.6 volts.

13. The handheld computer of claim 12, wherein the first threshold is approximately 3.2 volts.

14. The handheld computer of claim 9, wherein the amnesia level is approximately between 2.7 and 2.9 volts.

15. The handheld computer of claim 14, wherein the amnesia level is approximately 2.8 volts.

16. A method for regulating power to a handheld computer, the method [comprising] comprising:

receiving a source voltage from a battery module;

regulating the source voltage to power a plurality of internal components, the plurality of components including a processor and a memory component;

detecting if the source voltage is less than a first threshold;

in response to detecting the source voltage is less than the first threshold, for an interval during which no external charge is applied to the battery module, reducing the plurality of internal components powered by the source voltage; in order to allow a [charge] voltage of the battery module to increase; and

sustaining a designated one or more, but not all, of the plurality of internal components during the interval.

17. The method of claim 16, wherein sustaining a designated one or more of the plurality of internal components during the interval includes sustaining the memory component.

18. The method of claim 17, further comprising the step of detecting when the source voltage drops below an operational level of handheld computer, and stopping one or more of the plurality of internal components from drawing power from the battery module when the source voltage is less than the operational level.

19. The method of claim 16, further comprising the step of detecting when the source voltage reaches an amnesia level subsequent to the source voltage reaching the operation level.

20. The method of claim 19, further comprising erasing the memory component when the amnesia level is reached.

21. The method of claim 16, wherein regulating the source voltage to power a plurality of internal components includes reducing the source voltage while the source voltage is greater than an operational level of the handheld computer.

22. The method of claim 21, wherein reducing the source voltage while the source voltage is greater than an operational level of the handheld computer includes reducing the source voltage with a buck component.

23. The method of claim 22, wherein reducing the source voltage includes bypassing the buck component when the source voltage is less than the operational level of the handheld computer.

24. The method of claim 23, wherein the operational level of the handheld computer is approximately equal to the first threshold.

25. A handheld computer comprising:

a means for receiving a source voltage from a battery module;

12

a means for regulating the source voltage to power a plurality of internal components, including a processor and a memory component;

a means for detecting if the source voltage is less than a first threshold;

when the source voltage is detected as being less than the first threshold, for an interval during which no external charge is applied to the battery module, a responsive means for reducing the plurality of internal components powered by the source voltage in order to allow a [charge] voltage of the battery module to increase; and a means for sustaining a designated one or more, but not all, of the plurality of internal components during the interval.

26. The handheld computer of claim 1, wherein the charge regained by the battery module results in an increase of the source voltage distributed by the battery module.

27. The method of claim 16, wherein receiving a source voltage from the battery module includes receiving the source voltage from a rechargeable battery module.

28. A method for regulating power to a handheld computing device, the method comprising:

distributing a source voltage from a rechargeable battery module to power a plurality of internal components, the plurality of components including a processor and a memory component;

detecting that the source voltage is less than a first threshold;

in response to detecting the source voltage is less than the first threshold, for an interval during which no external charge is applied to the battery module, enabling the rechargeable battery to increase the source voltage during the interval by reducing a sufficient number of the plurality of internal components powered by the source voltage; and

sustaining operations on a designated one or more, but not all, of the plurality of internal components during the interval.

29. The method of claim 28, wherein the plurality of components include a component for transmitting or receiving data across a wireless medium, and wherein reducing the plurality of internal components that are powered by the source voltage includes disabling the component while the processor is maintained operable to receive user-input and execute applications.

30. The method of claim 29, wherein reducing the plurality of internal components that are powered by the source voltage includes disabling the component while maintaining power to a display of the handheld computing device.

31. The method of claim 28, wherein reducing the plurality of internal components that are powered by the source voltage includes locking out a user from entering input to power or operate the handheld computing device.

32. The method of claim 31, wherein sustaining operations includes powering a memory of the handheld computing device with the source voltage to preserve data stored in the memory, wherein the memory is configured to otherwise lose the data but for being powered with the source voltage.

33. The method of claim 28, wherein sustaining operations on a designated one or more, but not all, of the plurality of internal components includes using the increased source voltage to power at least one of the designated one or more internal components.

34. The method of claim 28, wherein distributing a source voltage from a rechargeable battery includes regulating the source voltage when the source voltage is greater than a

13

second threshold, wherein the second threshold is greater than or equal to the first threshold.

35. The method of claim 34, wherein regulating the source voltage includes bucking the source voltage when the source voltage is at a level that is greater than the second threshold. 5

36. The method of claim 34, wherein regulating the source voltage includes regulating the charge output using a low drop-out regulator.

37. A handheld computing device comprising:

a rechargeable battery module to output a source voltage; 10
a power management module coupled to the battery module to regulate the source voltage from the battery module;

a plurality of internal components including a processor and a memory component that draw power from the source voltage; and 15

wherein in response to the source voltage falling below a first threshold, the power management module signals

14

a lockout to enable the battery module to increase the source voltage, for an interval during which no external charge is applied to the battery module, by reducing a sufficient number of the internal components that are powered by the source voltage during the interval; and wherein during the interval, the battery module applies the charge to maintain the source voltage at a level that is sufficient to sustain a designated one or more, but not all, of the plurality of internal components.

38. The handheld computing device of claim 37, wherein the first threshold corresponds to an operational level of the handheld computer.

39. The handheld computing device of claim 38, wherein the designated one or more of the plurality of internal components includes at least one of the memory component or the processor.

* * * * *