

US00RE41978E

(19) **United States**  
(12) **Reissued Patent**  
**Mischel, Jr. et al.**

(10) **Patent Number:** **US RE41,978 E**  
(45) **Date of Reissued Patent:** **Dec. 7, 2010**

(54) **MIRROR**

(75) Inventors: **James Vernon Mischel, Jr.**, Seattle, WA (US); **Patrick Daniel Erickson**, Seattle, WA (US); **James Vernon Mischel, Sr.**, Lynnwood, WA (US)

(73) Assignee: **Electric Mirror, L.L.C.**, Everett, WA (US)

(21) Appl. No.: **29/321,738**

(22) Filed: **Jul. 22, 2008**

D311,820 S 11/1990 Glucksman  
D320,364 S 10/1991 Hernandez  
5,074,067 A 12/1991 Cohart  
D327,370 S 6/1992 Mittelstrass  
5,205,059 A 4/1993 Doll

(Continued)

**OTHER PUBLICATIONS**

“Concord,” ElectricMirror.com, <<http://web.archive.org/web/2006031119445/www.electricmirror.com/concord.html>>, as early as Mar. 2006.

(Continued)

**Related U.S. Patent Documents**

Reissue of:

(64) Patent No.: **Des. 559,555**  
Issued: **Jan. 15, 2008**  
Appl. No.: **29/258,449**  
Filed: **Apr. 22, 2006**

*Primary Examiner*—Sydney R Buffalow

(74) *Attorney, Agent, or Firm*—Christensen O’Connor Johnson Kindness PLLC

(57) **CLAIM**

(51) **LOC (9) Cl.** ..... **06-07**  
(52) **U.S. Cl.** ..... **D6/308; D14/126; D14/371**  
(58) **Field of Classification Search** ..... D6/300–314,  
D6/444; D20/10; 40/700, 735, 738, 768,  
40/769, 701, 717; D28/64.1; 250/492.23;  
D14/129, 371; D11/132

See application file for complete search history.

The ornamental design for a [backlit] mirror[with TV], as shown [and described].

**DESCRIPTION**

FIG. 1 is a perspective view of a [backlit] mirror [with TV,] showing our new design[:];  
FIG. 2 is a front view and back view view thereof;  
FIG. 3 is a left side view and right side view thereof;  
FIG. 4 is a top view and a bottom view thereof;  
FIG. 5 is a perspective view of a second embodiment of a [backlit] mirror [with TV,] showing our new design;  
FIG. 6 is a front view thereof;  
FIG. 7 is a left side view and a right side view thereof;  
FIG. 8 is a top view and a bottom view thereof; and,  
FIG. 9 is a back view thereof.

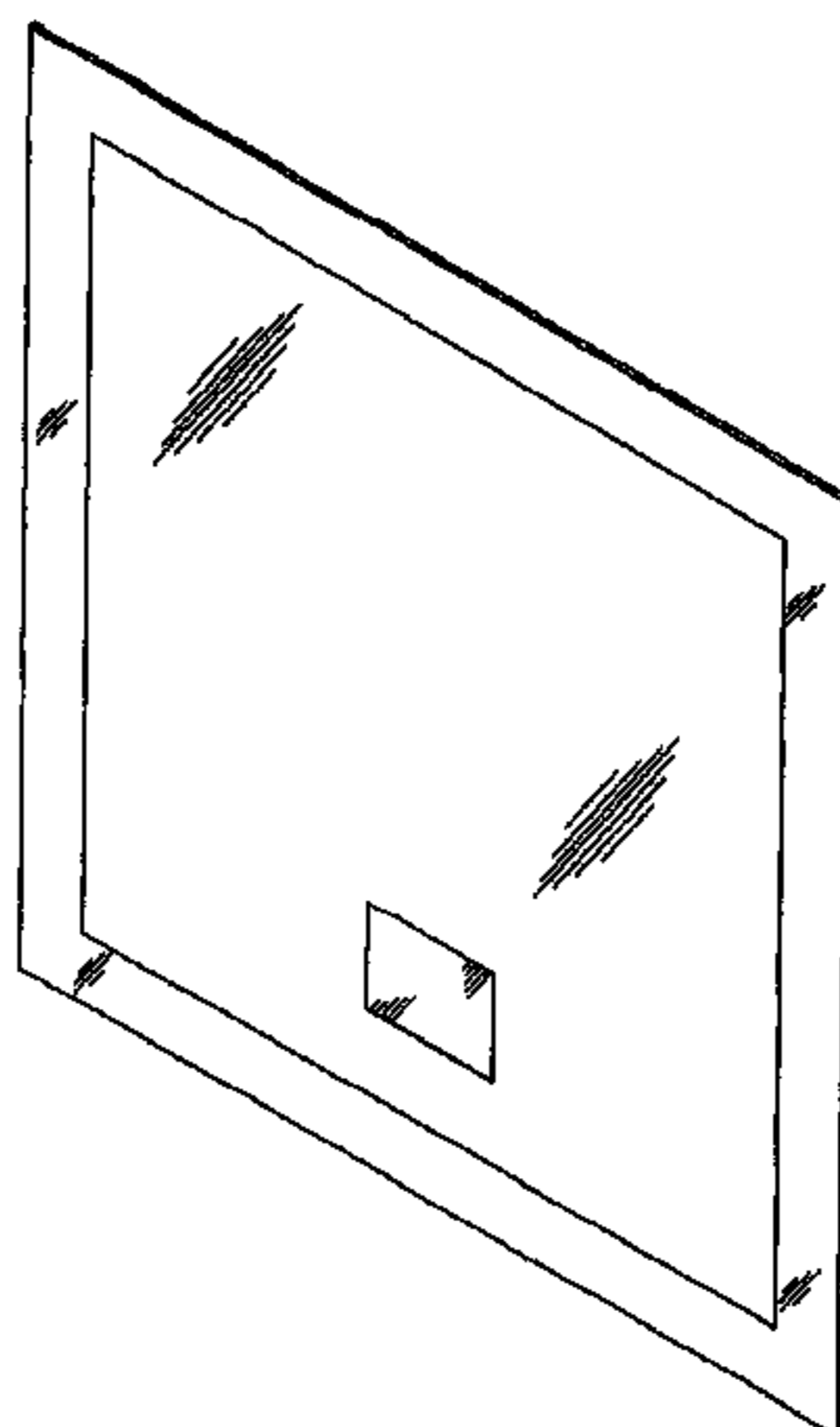
**1 Claim, 5 Drawing Sheets**

(56) **References Cited**

**U.S. PATENT DOCUMENTS**

593,036 A 11/1897 Stuparich  
D114,451 S 4/1939 Lazarus  
2,164,655 A 7/1939 Kleerup  
2,351,877 A 6/1944 Rabkin  
2,659,992 A 11/1953 Kiehl  
2,863,244 A 12/1958 Lyon  
D221,670 S 8/1971 Seidman  
3,786,584 A 1/1974 Holson  
D230,773 S 3/1974 Arnold  
D254,643 S 4/1980 Ashenfarb  
D268,349 S 3/1983 Cobb  
D276,397 S 11/1984 Pfanstiehl  
4,678,689 A 7/1987 Phillips  
4,777,746 A 10/1988 Brooks

**Matter enclosed in heavy brackets [ ] appears in the original patent, but forms no part of this reissue; matter printed in italics indicates the additions made by reissue.**



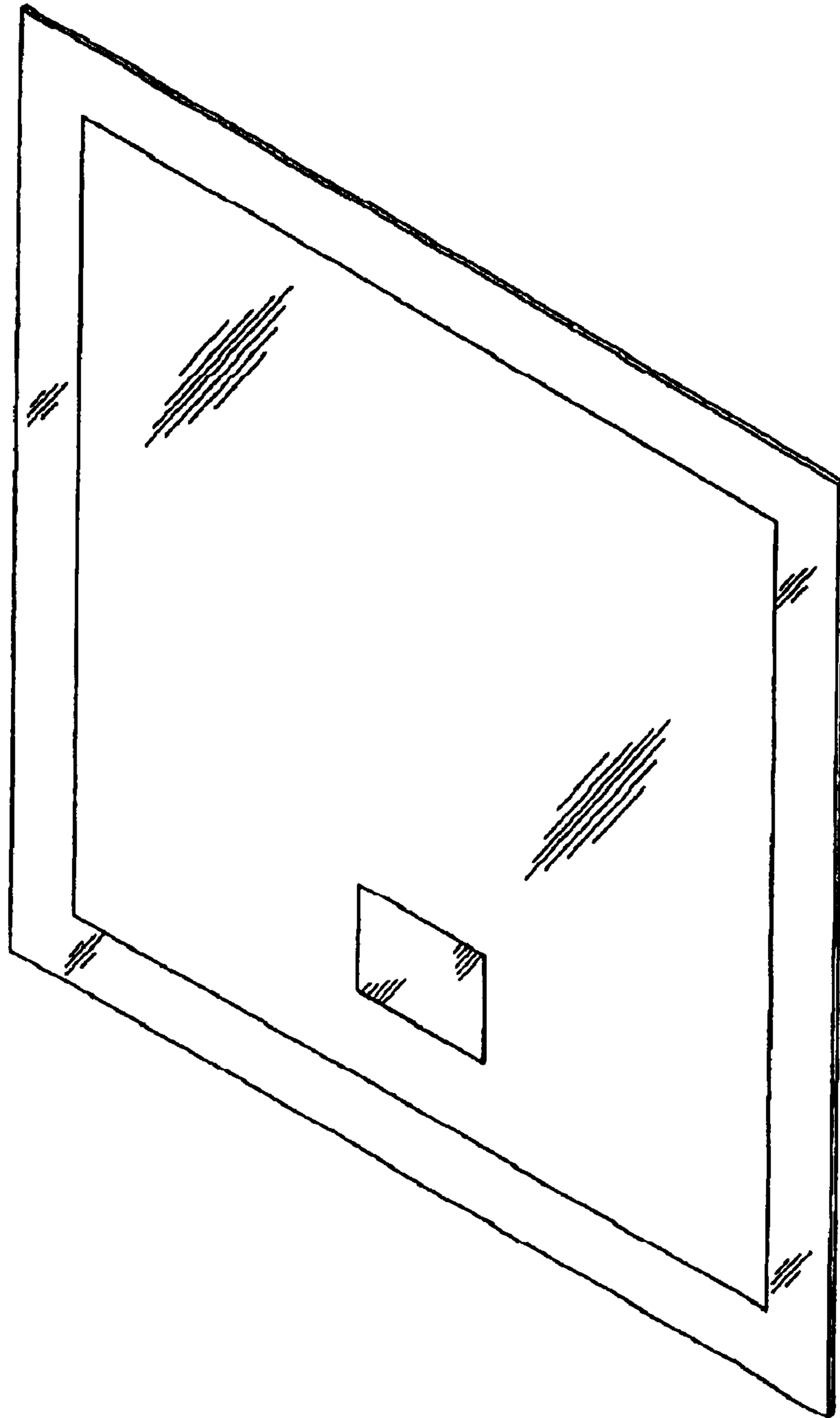
U.S. PATENT DOCUMENTS

D336,205 S 6/1993 Cooper  
 D339,921 S 10/1993 Nourse  
 5,279,880 A 1/1994 Cohart  
 D345,379 S 3/1994 Chan  
 5,367,802 A 11/1994 Rosenberg  
 D353,942 S 1/1995 Lo  
 5,392,544 A 2/1995 Price  
 D364,507 S 11/1995 Schwartz  
 5,575,552 A 11/1996 Faloon  
 D376,914 S 12/1996 Waszkiewicz, III  
 D383,908 S 9/1997 Waszkiewicz, III  
 D384,304 S 9/1997 Sheldon  
 D384,821 S 10/1997 Sugar  
 D384,823 S 10/1997 Sugar  
 D390,010 S 2/1998 Fry  
 D405,473 S 2/1999 Tikhonski  
 6,119,386 A 9/2000 Henry  
 D431,909 S 10/2000 Henry  
 D433,573 S 11/2000 Rochon  
 D434,571 S 12/2000 Copeland  
 D437,121 S 2/2001 Henry  
 D458,459 S 6/2002 Gottwald  
 D471,236 S 3/2003 Robbins, III  
 D480,923 S 10/2003 de Neubourg  
 6,792,710 B2 9/2004 Whitlow  
 D502,005 S 2/2005 Henry  
 D524,061 S 7/2006 Bruce  
 D524,555 S 7/2006 Mohundro  
 D527,914 S 9/2006 Sakaguchi  
 D546,565 S 7/2007 Mischel, Jr.  
 D547,073 S 7/2007 Mischel, Jr.  
 D559,553 S 1/2008 Mischel, Jr.

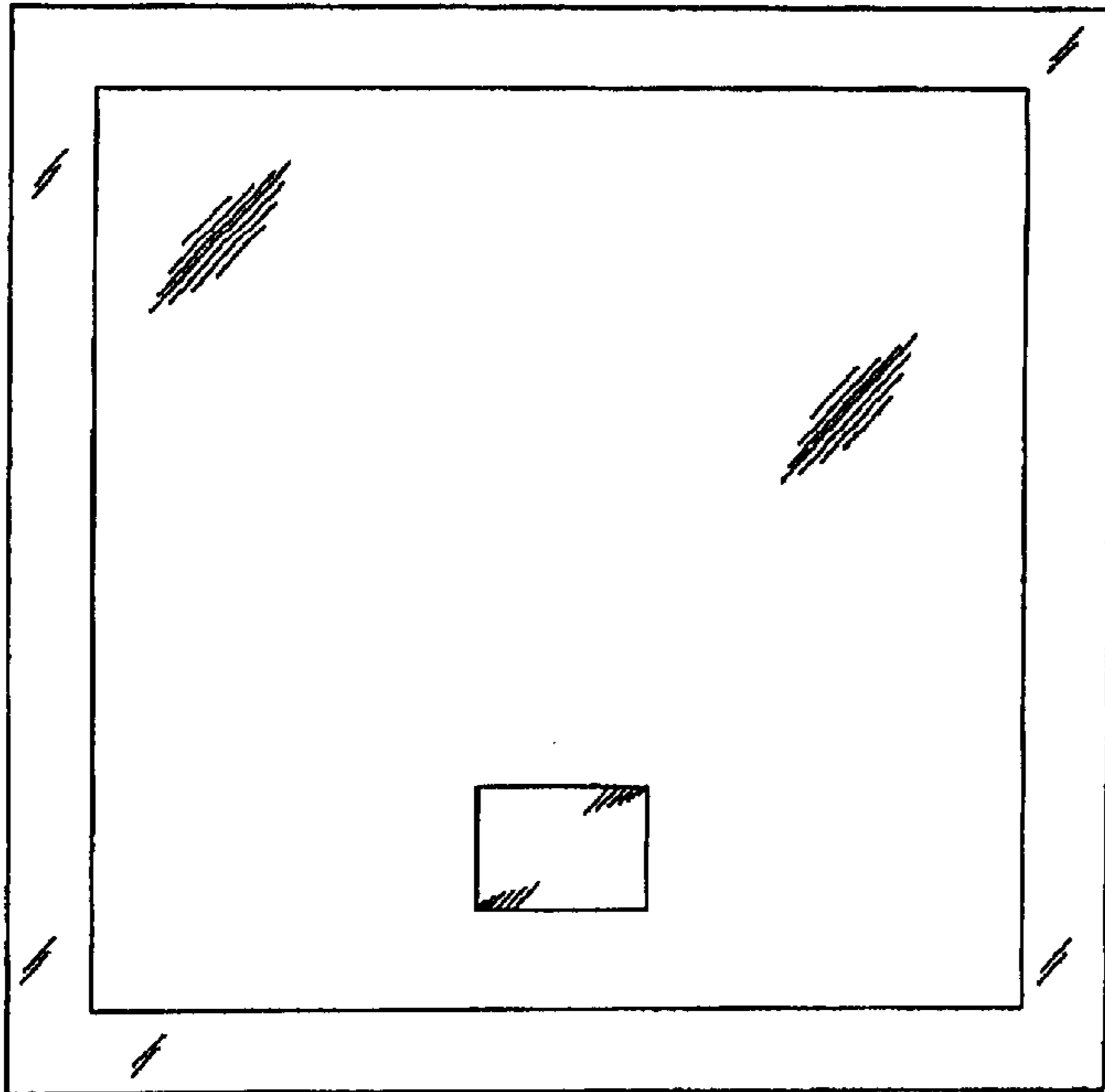
D559,557 S 1/2008 Mischel, Jr.  
 2002/0069567 A1 6/2002 Marino  
 2002/0148151 A1 10/2002 Whitlow  
 2003/0084600 A1 5/2003 Peterson  
 2005/0005494 A1 1/2005 Way  
 2006/0207145 A1 9/2006 Kim

OTHER PUBLICATIONS

“Esteem,” ElectricMirror.com, <<http://web.archive.org/web/20060311194218/www.electricmirror.com/esteem.html>>, as early as Mar. 2006.  
 “Inspiration,” ElectricMirror.com, <<http://web.archive.org/web/20060311194135/www.electricmirror.com/inspiration.html>>, as early as Mar. 2006.  
 “Masterpiece,” ElectricMirror.com, <<http://web.archive.org/web/20030831074237/http://www.electricmirror.com/Images/Lighting%20Stations/MasterpieceSpecification.pdf>>, as early as Aug. 2003.  
 Mischel Jr., J.V., et al., “Mirror,” U.S. Appl. No. 29/258,429, filed Apr. 22, 2006.  
 Mischel Jr., J.V., et al., “Backlit Mirror With TV,” U.S. Appl. No. 29/258,434, filed Apr. 22, 2006.  
 “Momentum,” ElectricMirror.com, <<http://web.archive.org/web/20030822110335/www.electricmirror.com/Images/Lighting+Stations/Momentum+Specification.pdf>>, as early as Aug. 2003.  
 “Steel Pleasure E201,” ElectricMirror.com, <<http://web.archive.org/web/20030831074823/http://www.electricmirror.com/Images/Lighting%20Stations/Steel%20Pleasure%20201.pdf>>, as early as Aug. 2003.



*Fig. 1*



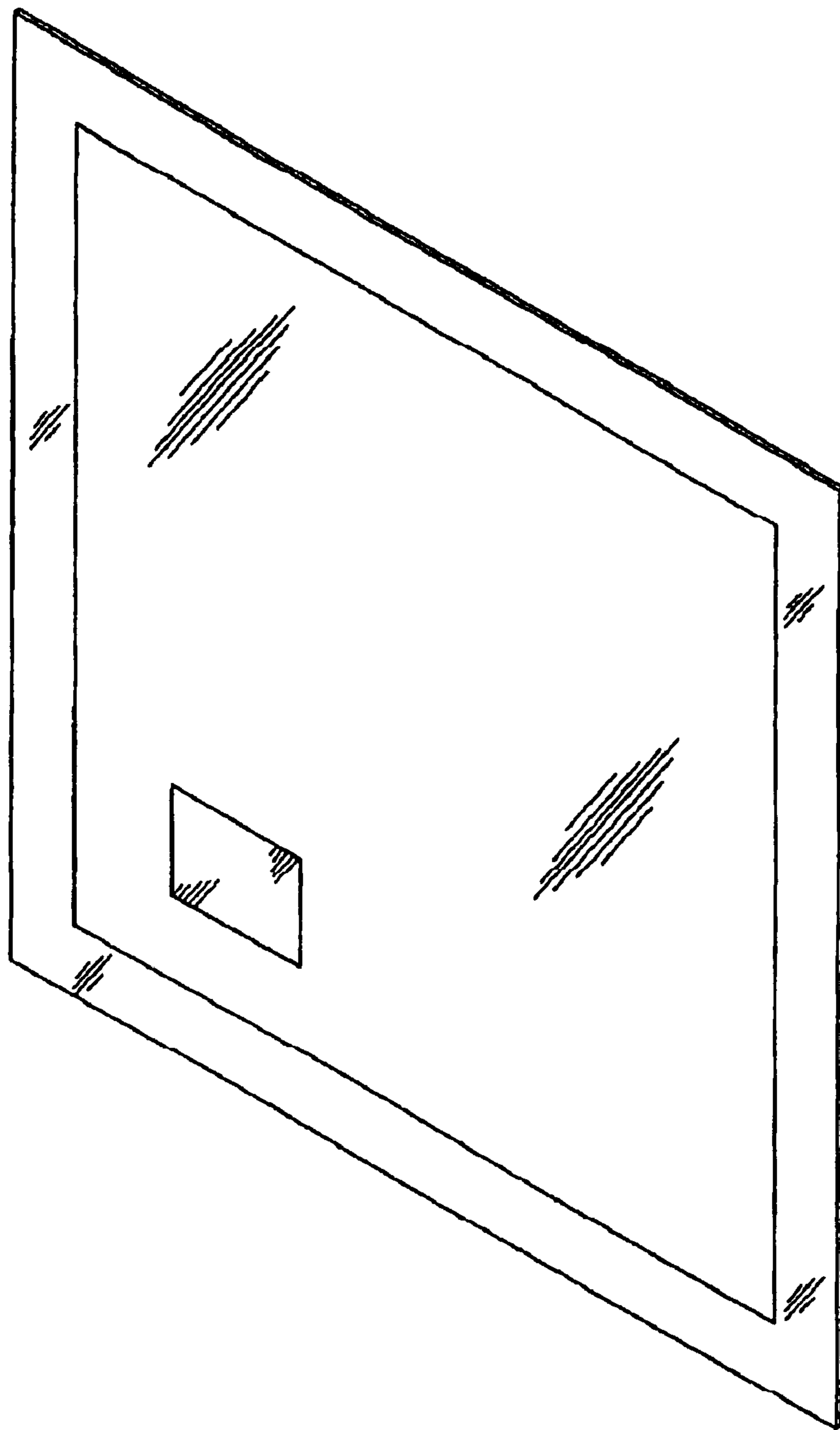
*Fig. 2.*



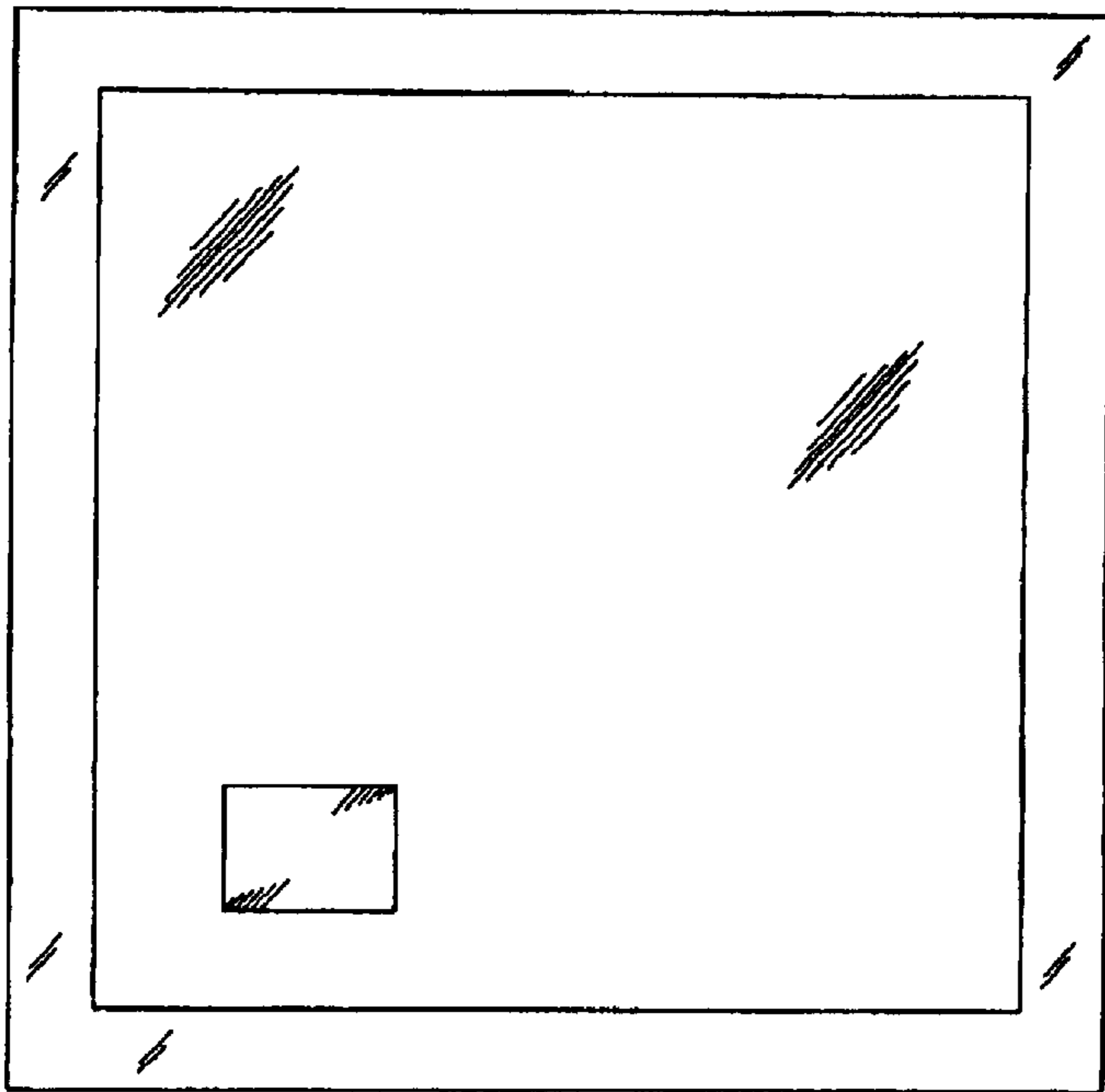
*Fig. 3.*



*Fig. 4.*



*Fig. 5*



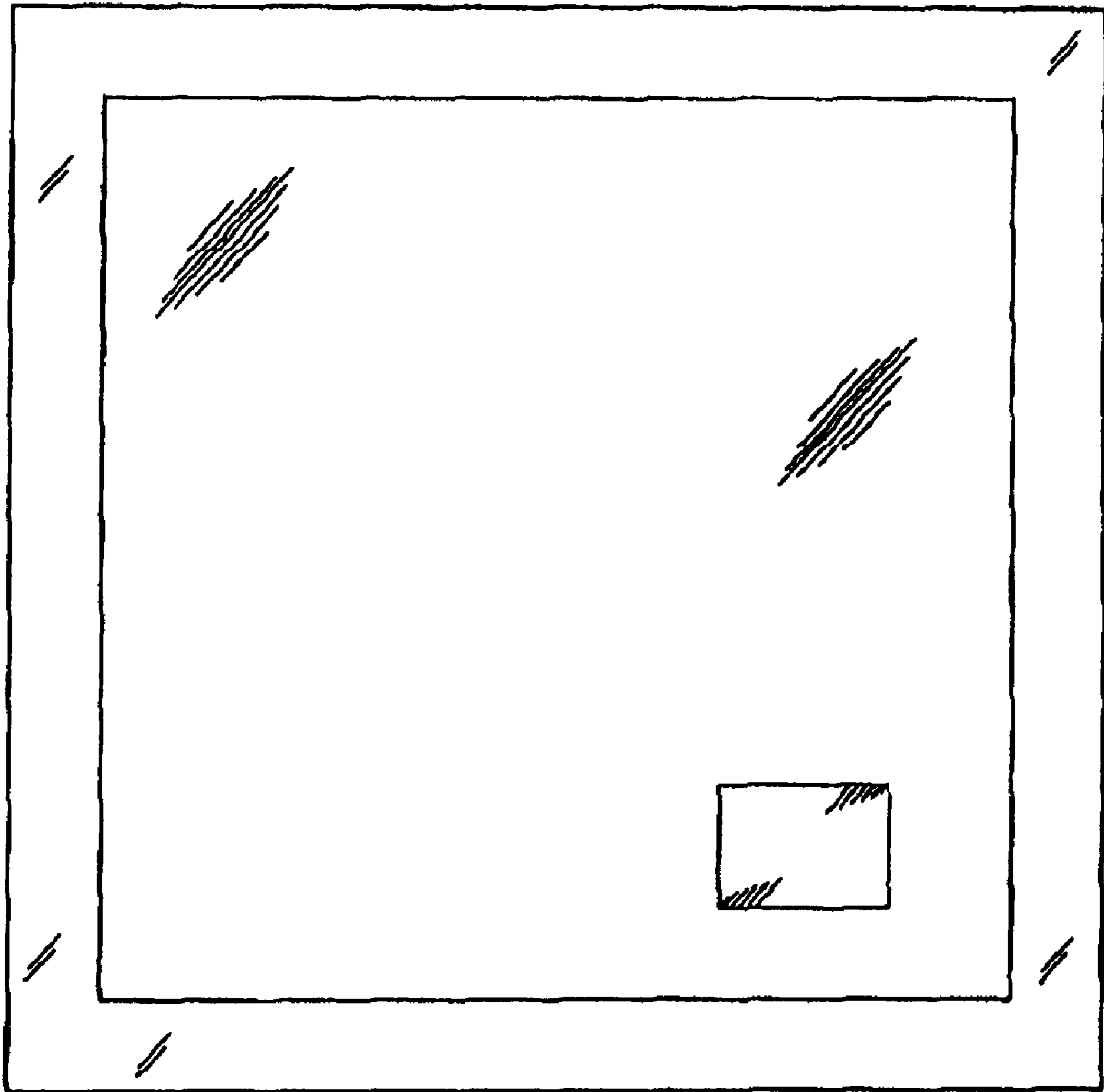
*Fig. 6.*



*Fig. 7.*



*Fig. 8.*



*Fig. 9.*

UNITED STATES PATENT AND TRADEMARK OFFICE  
**CERTIFICATE OF CORRECTION**

PATENT NO. : RE41,978 E  
APPLICATION NO. : 29/321738  
DATED : December 7, 2010  
INVENTOR(S) : J. V. Mischel, Jr. et al.

Page 1 of 1

It is certified that error appears in the above-identified patent and that said Letters Patent is hereby corrected as shown below:

<u>COLUMN</u>	<u>LINE</u>	<u>ERROR</u>
(54) Pg. 1, col. 1	Title	“MIRROR” should read --[BACKLIT] MIRROR [WITH TV]--

Signed and Sealed this  
Twenty-second Day of March, 2011



David J. Kappos  
*Director of the United States Patent and Trademark Office*