

US00RE41902E

(19) **United States**
(12) **Reissued Patent**
Kaplan

(10) **Patent Number:** **US RE41,902 E**
(45) **Date of Reissued Patent:** **Oct. 26, 2010**

(54) **SYSTEM, METHOD AND APPARATUS FOR WIRELESS MONITORING AND MANAGEMENT OF COMPUTER SYSTEMS**

6,023,762 A	2/2000	Dean et al.
6,073,168 A	6/2000	Mighdoll et al.
6,088,796 A	7/2000	Cianfrocca
6,097,336 A	8/2000	Stilp
6,098,092 A *	8/2000	Padzensky 709/203
6,105,006 A	8/2000	Davis et al.
6,122,666 A	9/2000	Beurket et al.
6,128,655 A	10/2000	Fields et al.

(76) Inventor: **Ari David Kaplan**, 640 N. LaSalle St., Suite 330, Chicago, IL (US) 60614-2270

(21) Appl. No.: **11/498,300**

(22) Filed: **Aug. 3, 2006**

(Under 37 CFR 1.47)

(Continued)

OTHER PUBLICATIONS

Related U.S. Patent Documents

Reissue of:

(64) Patent No.: **6,772,169**
Issued: **Aug. 3, 2004**
Appl. No.: **09/964,912**
Filed: **Sep. 27, 2001**

U.S. Applications:

(60) Provisional application No. 60/247,523, filed on Nov. 9, 2000.

(51) **Int. Cl.**
G06F 17/30 (2006.01)

(52) **U.S. Cl.** **707/10**

(58) **Field of Classification Search** 707/1,
707/2, 3, 10, 104.1, 102; 715/798; 709/203,
709/217

See application file for complete search history.

PCT International Search Report prepared by the U.S. Receiving Office for Application No. PCT/US01/46824, mailed on Apr. 2, 2002.

PCT International Search Report prepared by the U.S. Receiving Office for Application No. PCT/US01/46751, mailed on May 6, 2002.

PCT International Preliminary Examination Report prepared by the U.S. Patent & Trademark Office for Application No. PCT/US01/46824, mailed on Sep. 4, 2002.

(Continued)

Primary Examiner—Etienne P LeRoux
(74) *Attorney, Agent, or Firm*—Sterne, Kessler, Goldstein & Fox P.L.L.C.

(57) **ABSTRACT**

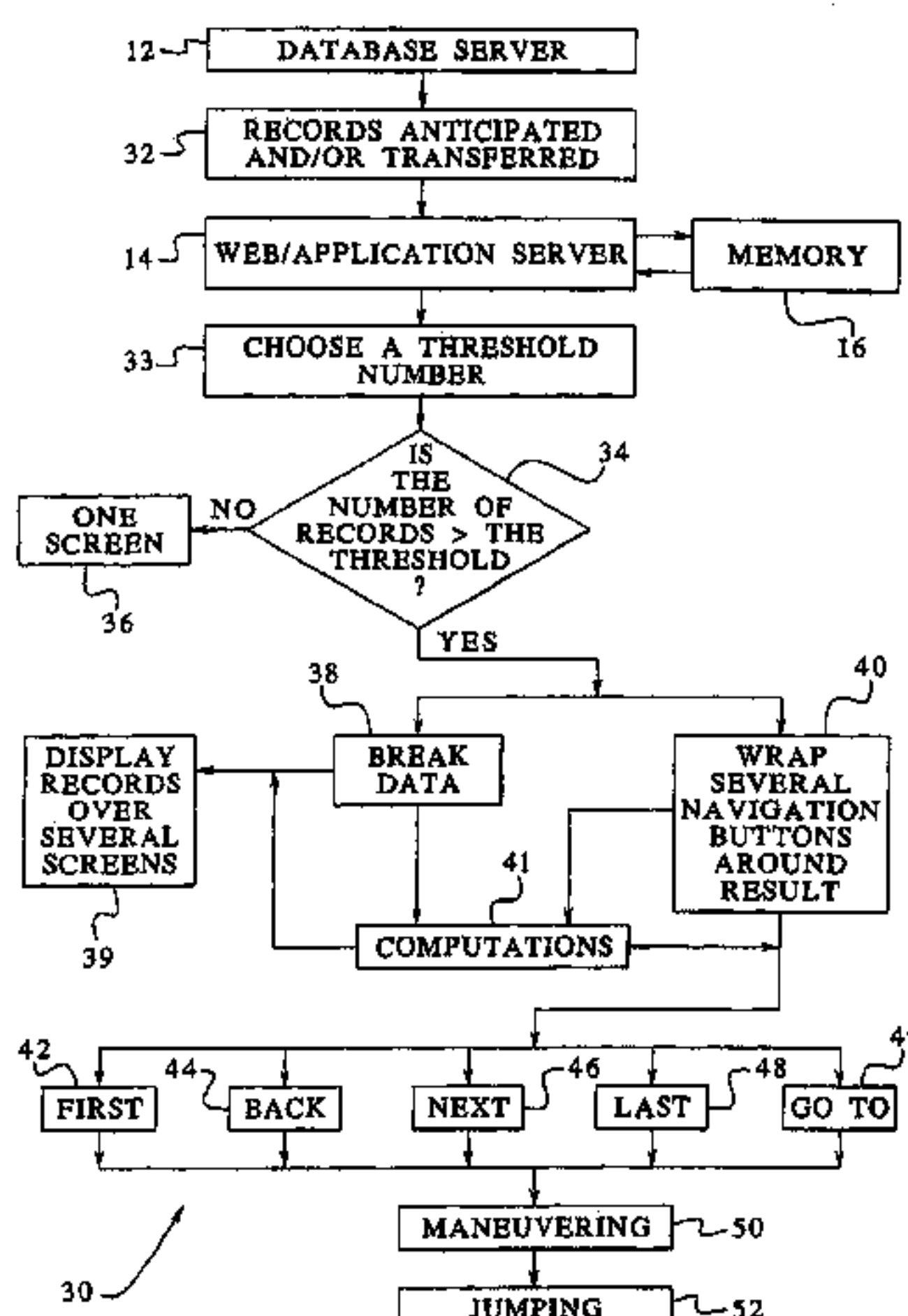
A system, a method and an apparatus are provided for the wireless monitoring and management of computer systems, networks, software systems or databases on a portable and/or handheld device which may monitor, update, and fix the system from any location and at any time. More specifically, the system, the method and the apparatus provide for the wireless monitoring and management of such systems by formatting information on a handheld screen of a wireless device, automatically wrapping portions of information for browsing on wireless devices, displaying information in a graph or other format on a wireless device, and/or auto-scaling of graphs on a wireless device.

80 Claims, 2 Drawing Sheets

(56) **References Cited**

U.S. PATENT DOCUMENTS

4,739,319 A *	4/1988	Okuda et al.	345/38
5,615,268 A	3/1997	Bisbee et al.	
5,696,701 A	12/1997	Burgess et al.	
5,696,898 A	12/1997	Baker et al.	
5,713,018 A	1/1998	Chan	
5,812,131 A *	9/1998	Bertram	715/798
5,881,232 A	3/1999	Cheng et al.	
5,926,549 A	7/1999	Pinkas	
5,963,965 A	10/1999	Vogel	
6,005,561 A	12/1999	Hawkins et al.	



US RE41,902 E

Page 2

U.S. PATENT DOCUMENTS

6,141,755 A 10/2000 Dowd
6,170,017 B1 1/2001 Dias et al.
6,178,505 B1 1/2001 Schneider et al.
6,182,083 B1 1/2001 Scheifler et al.
6,205,440 B1 3/2001 Nusbickel
6,233,577 B1 5/2001 Ramasubramani et al.
6,249,755 B1 * 6/2001 Yemini et al. 702/183
6,253,326 B1 6/2001 Lincke et al.
6,263,437 B1 7/2001 Liao et al.
6,269,402 B1 7/2001 Lin et al.
6,359,880 B1 3/2002 Curry et al.
6,389,437 B2 * 5/2002 Stoub 715/523
6,405,123 B1 6/2002 Rennard et al.
6,415,138 B2 * 7/2002 Sirola et al. 455/90.1
6,456,603 B1 9/2002 Ismailov et al.
6,473,609 B1 10/2002 Schwartz et al.
6,480,891 B1 11/2002 Chernyak et al.
6,516,203 B1 2/2003 Enzmann et al.
6,574,742 B1 6/2003 Jamroga et al.
6,587,835 B1 7/2003 Treyz et al.
6,591,306 B1 7/2003 Redlich

6,636,873 B1 10/2003 Carini et al.
6,636,898 B1 10/2003 Ludovici et al.
6,642,945 B1 * 11/2003 Sharpe 715/788
6,775,291 B1 8/2004 Ryu et al.
6,895,234 B1 5/2005 Laursen et al.
6,920,487 B2 7/2005 Sofer et al.
2001/0049277 A1 12/2001 Meyer et al.
2002/0031230 A1 3/2002 Sweet et al.

OTHER PUBLICATIONS

PCT International Preliminary Examination Report mailed by the U.S. Receiving Office for Application No. PCT/US01/46752 on Nov. 19, 2002.

PCT International Search Report prepared by the U.S. Receiving Office for Application No. PCT/US01/46752, mailed on Apr. 19, 2002.

PCT International Preliminary Examination Report prepared by the U.S. Patent & Trademark Office for Application No. PCT/US01/46751, mailed on Dec. 26, 2002.

* cited by examiner

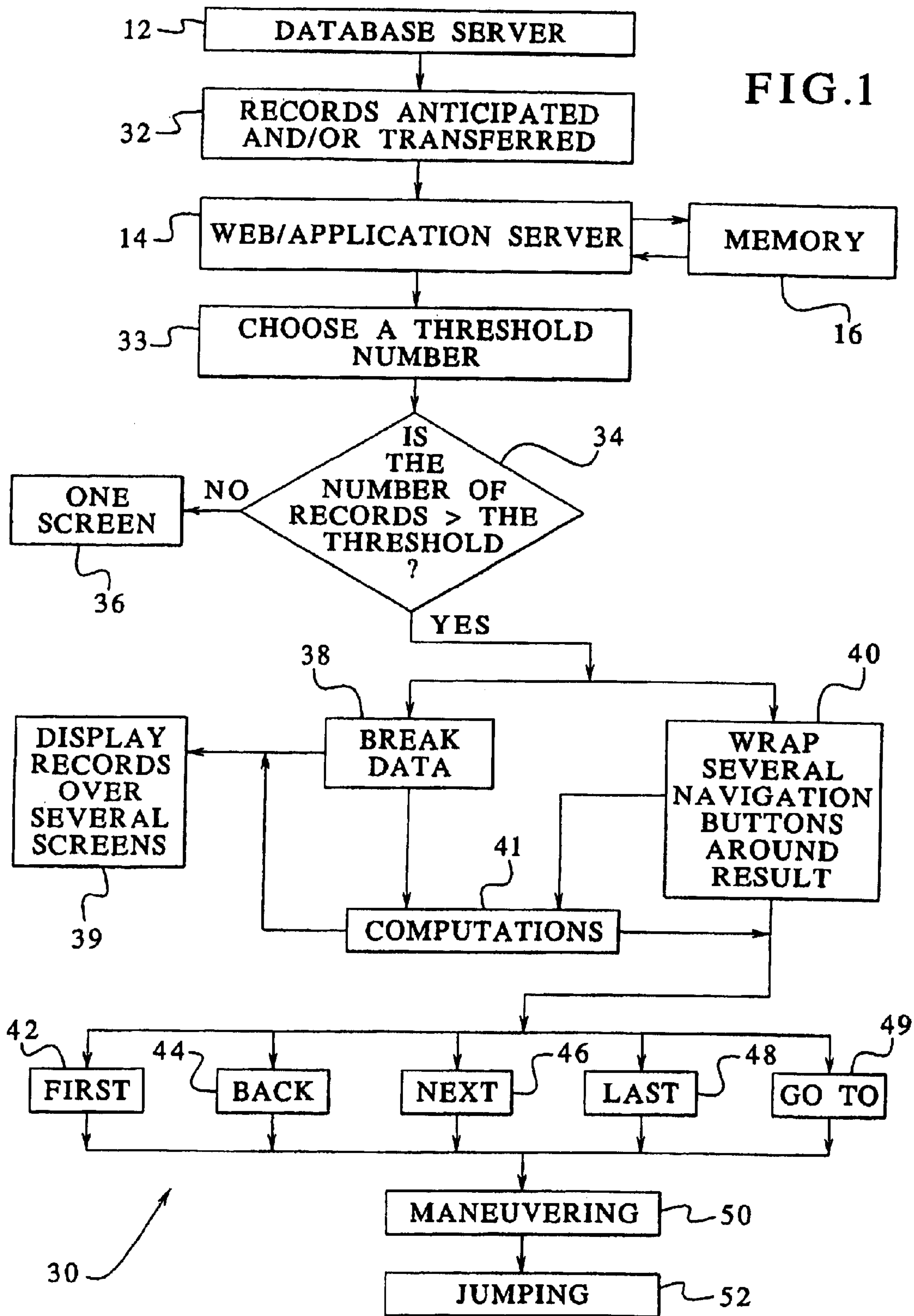


FIG. 2

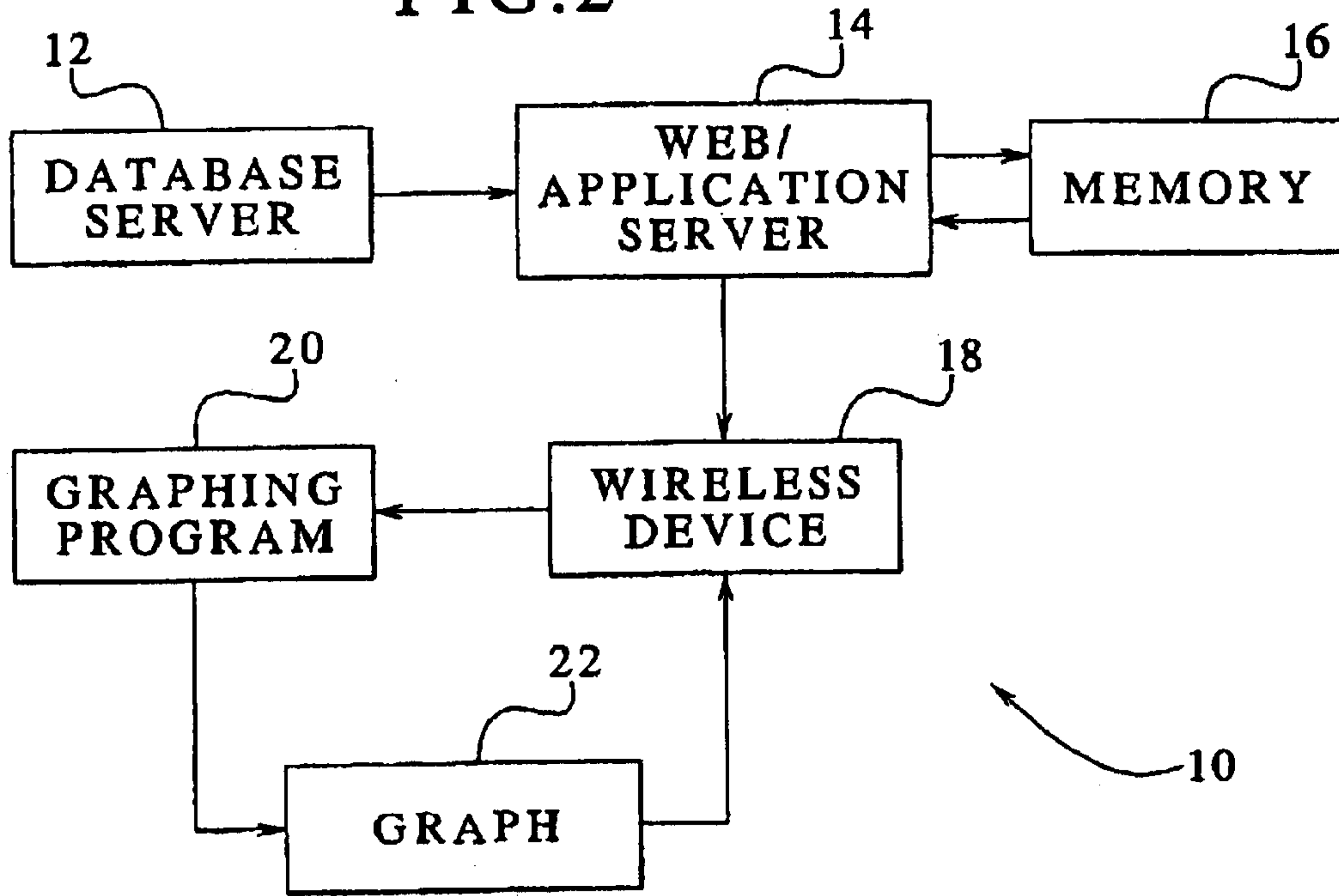
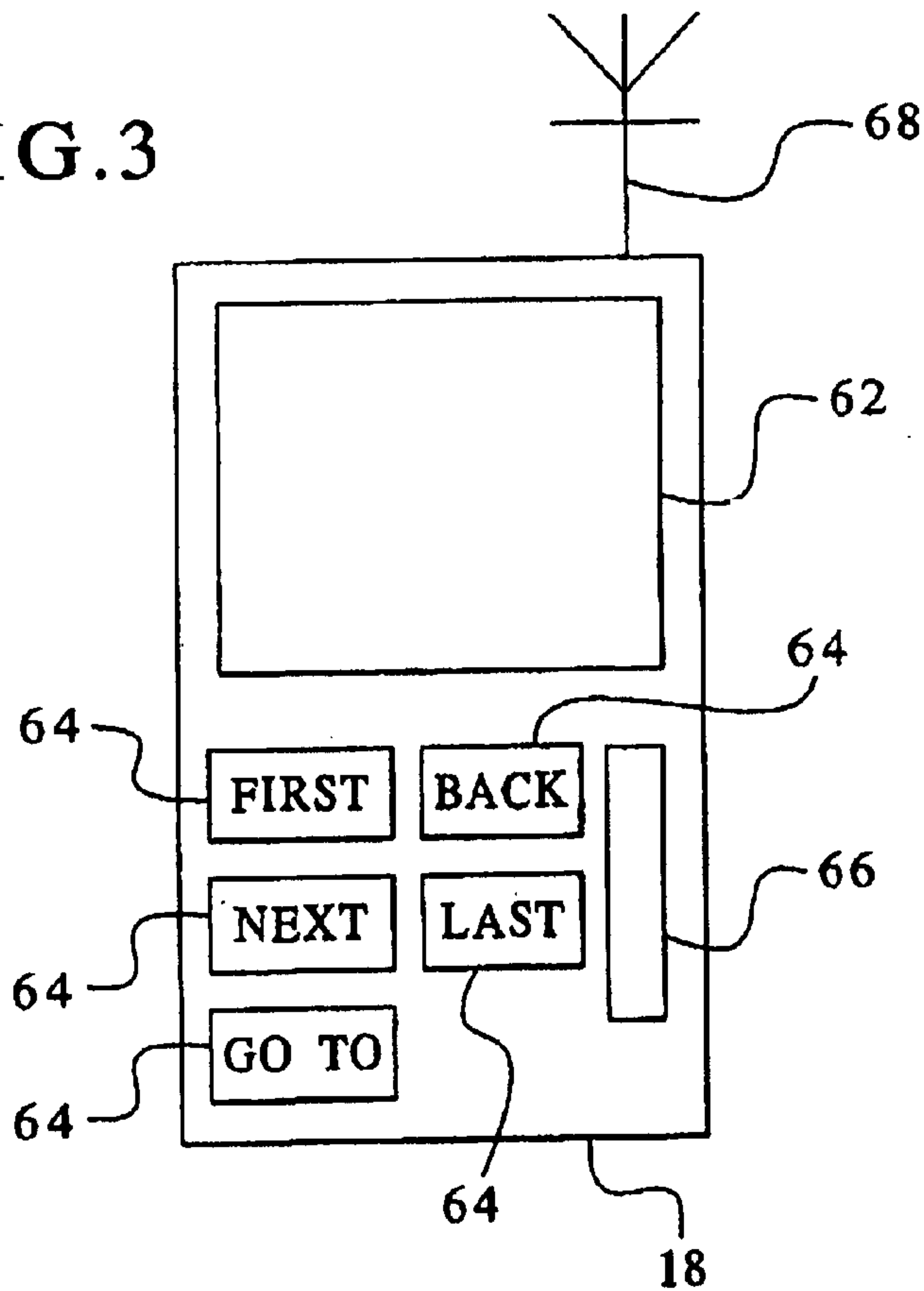


FIG. 3



**SYSTEM, METHOD AND APPARATUS FOR
WIRELESS MONITORING AND
MANAGEMENT OF COMPUTER SYSTEMS**

Matter enclosed in heavy brackets [] appears in the original patent but forms no part of this reissue specification; matter printed in italics indicates the additions made by reissue.

This application claims the benefit of U.S. Provisional Application Serial No. 60/247,523, filed Nov. 9, 2000.

FIELD OF THE INVENTION

The present invention generally relates to a system, a method and an apparatus for the wireless monitoring and management of computer, software and database systems. More specifically, the present invention provides a portable wireless monitoring and management tool that may be used remotely by a database or system administrator.

BACKGROUND OF THE INVENTION

With the proliferation of computer systems and networks to carry out and support many of the activities and communications of modern businesses, a failure of a computer system, software system, network or database may result in extremely extensive downtime which translates into lost revenue and often includes bad publicity. For example, if a network, software system or database application of a bank were impaired, then certain or all financial transactions of the bank may not be able to process until such systems or applications are operable and/or functioning. A need exists to reduce software, network and database failure rates and downtimes while increasing performance and operational efficiency.

Traditionally, software, network and database monitoring and/or management has been confined to hard-wired environments where system administrators or database administrators (DBAs) must be physically present and available at all times in the event that a problem or situation occurs that requires human intervention to fix and correct. For many companies, a system administrator or a DBA employed or utilized by the company on a full time basis is extremely costly. For other companies, recruiting, training and maintaining a staff of system administrators or DBAs is simply not an economically viable option.

The present invention overcomes these deficiencies and limitations of prior techniques by allowing for system, network and/or database monitoring and management from portable handheld wireless devices.

The present invention allows monitoring and maintaining of computer systems, networks and databases using portable, handheld, wireless devices. As a result, system administrators, network administrators and DBAs may be freed from the constraints of their home and office computers and may monitor, update, and fix computer and software systems, networks and databases from any location and at any time. The present invention, therefore, provides an important advantage in a competitive global economy where companies cannot afford lengthy software, network or database failures or downtime, or inadequate response time to address such failures.

However, despite the flexibility provided by wireless devices, such devices introduce a number of different challenges due to their portable and wireless environment. Such challenges include limitations related to transmission and receiving speed (limited by available wireless bandwidth), the periodic loss of signal, reduced device size and reduced

display size, and unique security concerns caused by the wireless environment. In addition, for handheld wireless devices, limitations exist regarding data entry; namely, handheld wireless devices typically do not include keyboards, and text may require entering through handwriting and/or other techniques.

A need, therefore, exists for an improved system, method and apparatus for the monitoring and management of computer systems, software systems, networks and databases. In addition, a need exists to reduce failure rates and downtimes while increasing performance and operational efficiency of such systems.

SUMMARY OF THE INVENTION

The present invention provides a system, a method and an apparatus for the wireless monitoring and management of computer systems, software systems, networks and databases.

To this end, in an embodiment of the present invention, a method is provided for the wireless monitoring and management of such systems where information is displayed on a wireless device. The method comprises the steps of: formatting information on a screen of the wireless device by wrapping portions of data sets; browsing on the wireless device between portions of data sets; displaying system or database information in a predetermined format on the wireless device; and scaling the information in the predetermined format on the wireless device.

In another embodiment of the present invention, a method is provided for formatting results on a screen of a wireless device. The method comprises the steps of: querying data records from a database; anticipating a number of the data records to be retrieved from the database; retrieving the data records from the database; storing the data records on a web or application server; choosing a threshold number; determining if the data records retrieved from the database is greater than the threshold number; and displaying the data records on the wireless device.

In an embodiment, the method displays the data records not greater than the threshold number on a single screen of the wireless device.

In an embodiment, the method comprises the steps of: breaking data records into portions; wrapping each of the portions; and providing a display area on the screen of the wireless device for each of the portions of data records that has been wrapped.

In an embodiment, the method determines a number of data records in each of the portions.

In an embodiment, the method navigates among each of the portions of data records.

In an embodiment, the method encloses the display area in a solid box. In an embodiment, the method further comprises the steps of: calculating a width in pixels of text in each data record; computing a sum of the pixels; calculating a width in pixels of a field in the display area; entering the text on a first line of the field to the extent of the width in pixels of the text allowed in the width in pixels of the field in the display area; and entering the text on a second line of the field to the extent of the width in pixels of the text allowed in the width in pixels of the field in the display area.

In an embodiment, the method comprises the step of highlighting text from the data records within the display area.

In an embodiment, the method inputs retrieved data into a graphing program, displays the data in a graph; and displays the data on an axis. The graph may be a bar-chart, a pie-chart, or the like.

In another embodiment of the present invention, a method is provided for formatting results on a screen of a wireless device by breaking columns in a table. The method comprises the steps of: comparing columns of text in the table; determining how many columns to display horizontally to provide a best visual perception; determining a width of each of the columns to display; and choosing break points in the table.

In an embodiment, the method breaks columns in a table is further comprised of the step of breaking columns with identical text by displaying the identical text on one line of the table.

In an embodiment, the method highlights the text of the table. In an embodiment, the method compares a display order of data and a frequency of repetition for the columns in the table.

In another embodiment of the present invention, a method is provided for formatting data records on a screen of a wireless device by using a scroll mechanism associated with the wireless device. The method comprises of the steps of: shifting each of the data records on the screen; keeping each of the data records together on the screen; and locking one of the data records while shifting the remaining data records on the screen associated with the wireless device.

In an embodiment, the method highlights a selection of the data records.

In yet another embodiment of the present invention, a system is provided for the monitoring and management of databases. The system has a wireless device having a screen and a wrapping means. The system also has a web server associated with the database wherein the wireless device remotely accesses the database.

In another embodiment of the present invention, a system is provided for formatting data query results stored in a database wherein the database has text of data defined by a plurality of characters wherein each of the plurality of characters is defined by a number of pixels. The system has a wireless device having means for retrieving data query results. The system has an application and/or web server having a memory associated with the application/web server wherein the server has a means for remotely accessing the text data associated with the database and transferring the text of data to the wireless device.

In another embodiment of the present invention, a system is provided for formatting results on a screen of a wireless device. The system has a database with text of data defined by tables having columns and an application or web server in remote communication with the wireless device. The server determines a width of each of the columns, chooses columns with identical text and breaks columns with identical text.

In an embodiment, the system has a means for highlighting the text of data.

In an embodiment, the system has a means for comparing a display order of the text of data and means for comparing a frequency of repetition for the columns in the table of the text of data.

In yet another embodiment of the present invention, a system is provided for formatting data records on a wireless device. The system has a screen and a scrolling mechanism. The scrolling mechanism may shift the data records on the screen. The scrolling mechanism keeps each of the data records together. The scrolling mechanism further locks one of the data records while shifting a remainder of the data records on the screen.

In an embodiment, the system has a means for highlighting the data records.

In another embodiment of the present invention, an apparatus is provided for monitoring and management of a database. The apparatus has a wireless means providing remote access to an application or web server, queries data records from the server wherein the application or web server is associated with the database and further wherein the wireless means anticipates a number of data records to be retrieved from a database, means for choosing a threshold number, means for retrieving the data records from the database, means for comparing a number of the retrieved data records retrieved to the threshold number, and means for displaying the data records in a predetermined format wherein the means for displaying is associated with the wireless means.

In an embodiment, the apparatus has a means for highlighting the data records.

In an embodiment, the apparatus has a means for navigating between each of the data records.

It is, therefore, an advantage of the present invention to provide a system, an apparatus and a method that reduces downtime. To this end, application and database downtime is dramatically reduced. To fix a system, network or database problem, system administrators or DBAs do not spend critical time driving to a fixed location such as to home or to work, booting up a computer, or dialing-in to a server or ISP.

Another advantage of the present invention is to provide a system, an apparatus and a method that significantly reduces analysis and troubleshooting time. This time is particularly important for mission-critical systems. The system, apparatus and method of the present invention provide the tools to readily identify troubleshooting issues.

Another advantage of the present invention is to provide a system, an apparatus and a method that reduces DBA staff burnout. Staff no longer needs to completely interrupt a weekend or weeknight for minor issues when they can monitor and troubleshoot issues from anywhere using the system, the apparatus and the method of the present invention.

Yet another advantage of the present invention is to provide a system, an apparatus and a method that increases confidence in management. Managers may rest easier knowing that their staff has complete and immediate access to their software systems, networks and/or databases from any location at any time.

Further, another advantage of the present invention is to provide a system, an apparatus and a method that allows for monitoring multiple databases, systems or networks from one console.

Still further, another advantage of the present invention is to provide a system, an apparatus and a method that improve the productivity and manageability of the DBA staff.

Yet another advantage of the present invention is to provide a system, an apparatus and a method that reduce the learning curve of new DBAs when they start a job.

Another advantage of the present invention is to provide a system, an apparatus and a method that reduce or eliminate the need for custom-written scripts that are common among the database communities, such as, for example, a database community using a database management tool provided by, for example, the Oracle Corporation.

Additional features and advantages of the present invention are described in, and will be apparent from, the detailed description of the presently preferred embodiments and from the drawings.

BRIEF DESCRIPTION OF THE DRAWINGS

FIG. 1 illustrates a flowchart for retrieval of data from a database and determination of whether the number of

5

records exceeds the threshold for wrapping in an embodiment of the present invention;

FIG. 2 illustrates a black box diagram of a system for the display of database information on a graph on a wireless device in an embodiment of the present invention; and

FIG. 3 illustrates a plan view of a wireless device in an embodiment of the present invention.

DETAILED DESCRIPTION OF THE INVENTION

The following description provides, by way of example, an implementation of the advantageous concepts and techniques of the present invention in connection with a system and methods for the wireless monitoring and management of databases. It should be understood, however, that the concepts and techniques may be readily implemented with respect to other similar systems, such as a computer system, software system or network. The advantages of the present

invention will be similarly realized for such other systems. Merely by way of example, the following description relates to one particular embodiment or application of the present invention for database monitoring and management. It is not intended to limit the invention to such an embodiment or application. To the contrary, it is intended that the invention covers all variations, equivalents and embodiments embraced by the scope and spirit of the appended claims.

According to one preferred embodiment, the present invention generally provides a system, a method and an apparatus for the wireless monitoring and management of databases. To this end, the present invention provides a system, a method and an apparatus for formatting results on a handheld screen. In addition, the present invention provides a system, a method and an apparatus for automatically wrapping portions of data sets for browsing on wireless devices. Further, the present invention provides a system, a method and an apparatus for displaying database information in a graph on a wireless device. Still further, the present invention provides a system, a method and an apparatus for auto-scaling of graphs on a wireless device.

To format results on a handheld and/or portable and/or wireless screen (hereinafter "screen"), displaying the results of a database query is provided on a desktop computer as ample space is provided to display many columns and records of data. However, the size of the screen is generally several times smaller. When using databases such as, for example, the database for desktop computers by Oracle Corporation, all data is displayed on one line for each record as follows:

Heading 1	Heading2	Heading3	Heading4	Heading5
Record1__ column1	rec1__Col2	rec1__Col3	rec1__Col4	rec1__Col5
Record2__ column1	rec2__Col2	rec2__Col3	rec2__Col4	rec2__Col5
Record3__ column1	rec3__Col2	rec3__Col3	rec3__Col4	rec3__Col5

6

In the example above, text is not wrapped within each column as the text is sometimes cutoff: LONG data types are cutoff to 80 characters by default, and if the total line size is larger than the LINESIZE value (defaulted to 80 characters), then the heading and record displays are wrapped on 2, 3, 4 or more lines. To complicate matters, if the PAGESIZE value is greater than 0 (the default is 12), then the heading repeats within each PAGESIZE increment, making text difficult to read. A sample Oracle output of the query "SELECT OWNER, TABLE_NAME, TABLESPACE_NAME, PCT_FREE, PCT_USED, INITIAL_EXTENT, NEXT_EXTENT, MIN_EXTENTS, MAX_EXTENTS, PCT_INCREASE FROM ALL_TABLES" is shown as follows:

OWNER	TABLE_NAME	TABLESPACE_NAME	PCT_FREE	PCT_USED
SYSTEM	EMPLOYEES	SYSTEM	10	90
11241	4096	1	255	0

However, the system, the method and the apparatus of the present invention may display data aligned and/or enclosed in clearly delineated boxes. The same difficult-to-read results from a database, such as, for example, the Oracle database described above, may be displayed on the apparatus of the present invention such that the displaying data is shown as follows:

TABLE

"SYSTEM EMPLOYEES" has the following storage:

Initial Pct Used Extents	Next Pct Free Min Extents	% Increase Tablespace Max Extents
31241	4096	0
90	10	SYSTEM
17	1	255

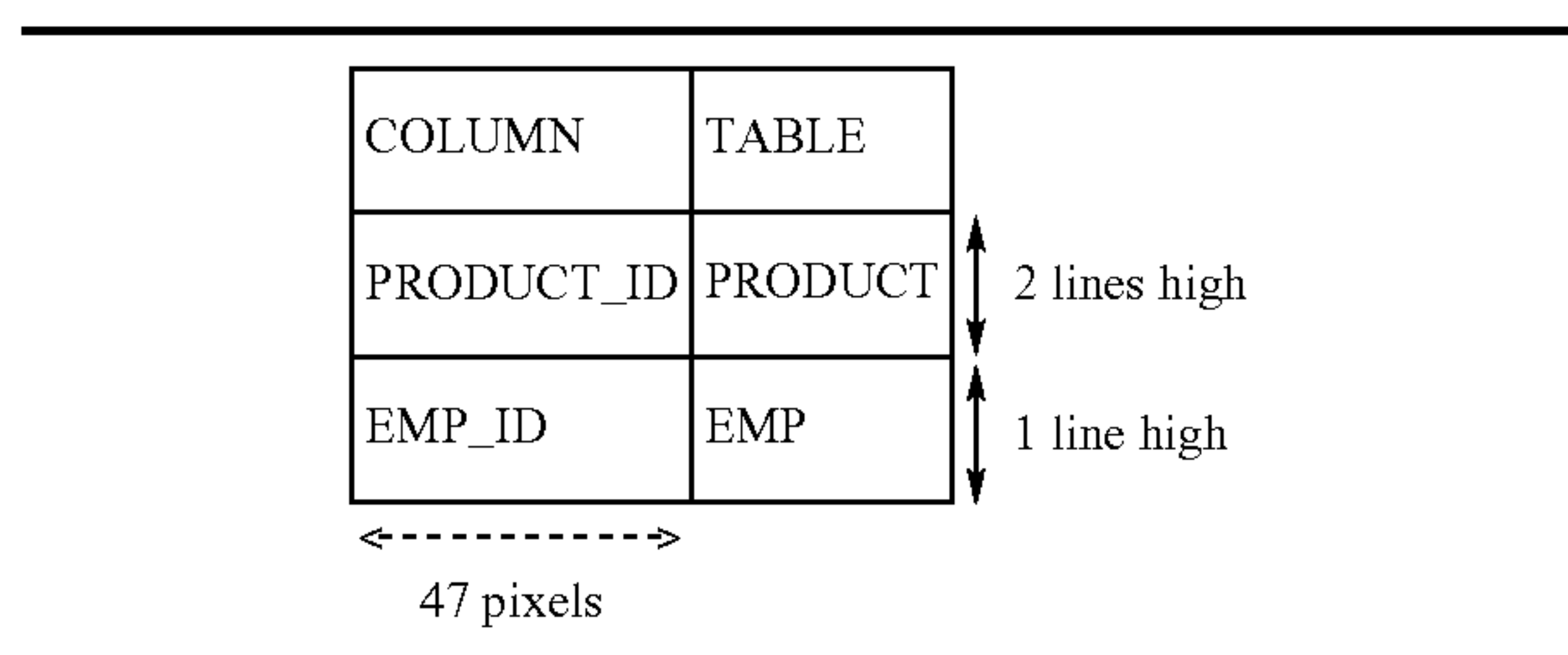
As seen from the above table, according to an embodiment of the invention, some field headings may be advantageously changed to shorter and more meaningful names. For example, instead of having a field heading of "PCT_INCREASE", the system has changed the field heading to "% Increase". Such a change, results in not only a more meaningful field heading, but also reduces the size required by two characters. Such a revision of the field names may be accomplished by any number of routines for recognizing field names or portions of field names and renaming them in a manner which is more likely desired by the user. As another different example, for information having a column heading "How Many Shares Have Been Traded Today on Wall Street", the heading may be more conveniently changed to a shorter and more meaningful name for a user on a wireless device such as "Shares Traded Today."

The present invention provides for display of data that may be more visually understandable and that may be displayed on smaller screen areas. By the system and the method of the present invention, text may be wrapped within each display area and may be enclosed by a solid box. Additionally, bold text may be used to represent the heading

information (indicated by the “Initial” through “Max Extents” in the table above, identified as “SYSTEM.EMPLOYEES”). The use of bold text may provide better visual perception for the user to, for example, differentiate between headings and/or displayed data.

Wrapping of text may be based upon calculations of a width in pixels of each letter, number, and/or character. This calculation may identify the width of the field and may compute the sum of pixels until the line is filled. The calculation may continue on the next line until the next line is filled, and so on.

In known systems, wrapping occurs as part of the inherent operating systems. Therefore, wrapping is not handled by handheld operating systems; however, in an embodiment of the present invention, text may be wrapped within each box of each column. For example, the word “Product_ID” may have eight pixels across the “P”, six pixels for “r”, six pixels for “o”, five pixels for “d”, six pixels for “u”, five pixels for “c”, five pixels for “t”, six pixels for “_”, five pixels for “I”, and five pixels for “D”. A total of 57 pixels, is therefore, required to display “Product_ID”. If the box that contains “Product_ID” has fewer than 57 pixels, then, in an embodiment of the present invention, the displayed data may break into two or more lines. For example, assume that the box that contains “Product_ID” is 50 pixels across. The first line may hold “product” and “_” which totals 47 pixels. The “ID” which totals ten pixels may be displayed on the second line within the box, and the box may be extended vertically by one line. When one box for a line of the display is expanded vertically, then all of the boxes on the line are similarly enlarged vertically. Wrapping of text within a box is shown as follows:



In another embodiment of the present invention, all data may be displayed by using a “break” column. The conventional method is to simply display all data for all rows. In an embodiment of the present invention, a “break” column may allow for more columns to be displayed in an easily understood format. For example, if a table has four columns, and the first column has some repeating values in the data, the conventional method is to simply display all data. For example, the results of a query that displays information on the makeup of a conventional method such as, for example, Oracle indexes, is shown as follows, with displaying all four columns formatted: SELECT INDEX_OWNER, INDEX_NAME, COLUMN_NAME, COLUMN_POSITION FROM ALL_ID_COLUMNS ORDER BY 1, 2, 4;

OWNER	TABLE	COLUMN	POS
DEMO	I_ITEM	ORDER_ID	1
DEMO	I_ITEM	ITEM_ID	2
DEMO	I_ITEM	EMP_ID	3

-continued

OWNER	TABLE	COLUMN	POS
5 DEMO	I_LOCATION	LOCATION_ID	1
DEMO	I_PRICE	PRODUCT_ID	1
DEMO	I_PRICE	START_DATE	2
DEMO	I_PRODUCT\$PRODUCT_ID	PRODUCT_ID	1

10 In an embodiment of the present invention, the display may “break” the information on the first column more effectively. That is, display of the first column may be provided on one line and may be followed by the rest of the columns in the record. All subsequent records with the same first column value may then be displayed. In situations where
15 two columns with repeating values exist, screens may have two columns as their break points. Having at least one column as a breakpoint may effectively reduce the width of the display by one column which is valuable on a small screen.
20 The same information from the previous illustration is shown with the concept of “breaking” on the first column as provided by the present invention by displaying four columns with “owner” as the break column as follows:

-OWNER-			
	TABLE	COLUMN	POS
30 -DEMO-			
	I_ITEM	ORDER_ID	1
	I_ITEM	ITEM_ID	2
	I_ITEM	EMP_ID	3
	I_LOCATION	LOCATION_ID	1
35	I_PRICE	PRODUCT_ID	1
	I_PRICE	START_DATE	2
	I_PRODUCT\$	PRODUCT_ID	1
	PRODUCT_ID		

40 By “breaking” on the first column (“owner” in the above example), the area needed to display the information is approximately 25% smaller. All information, however, may still be displayed. Further “breaking” of this data into a smaller size may also be possible. For example, if the first
45 two columns (“owner” and “table” in the above example) are used as break points, only the remaining information may need to be repeated for each set of break points (“owner” and “table”). In addition, having two break points does not necessarily mean that the break points may be in separate boxes when displayed. The break points may be formatted to be
50 displayed within one box, such as shown, for example, in the following table. The table illustrates breaking of “owner” and “table”. The “owner” and “table” are placed in one box, separated with a period and surrounded with dashes for better visual perception. As shown in the following table for
55 displaying four columns with “owner” and “table” as the two break columns:

-OWNER TABLE-			
	COLUMN		POS
60 -DEMO.I_ITEM-			
	ORDER_ID		1
65	ITEM_ID		2

-continued

-OWNER TABLE-	
COLUMN	POS
EMP_ID -DEMO.I_LOCATION-	3
LOCATION_ID -DEMO.I_PRICE-	1
PRODUCT_ID START_DATE -DEMO.I_PRODUCT\$PRODUCT_ID-	1 2
PRODUCT_ID	1

As seen in the above table, the display of data may be reduced from the initial four columns to only two columns and, as a result, improves the visual perception of the data. In the system of the present invention, each screen may have predetermined column positions and break points. An additional example is shown in the table below for displaying six columns from, for example, a result of a query with "owner" and "tablename" as the two break columns:

-Owner.TableName-	
Constraint Condition	Type Status
TALMDR_TRADES_QUOTES_TIME_SUM_T-	
SYS_C00997 "TRANS_FEE_CODE" IS NOT NULL	C DISABLED
SYS_C00998 REC_DEL_IN ('Y', 'N')	C ENABLED
SYS_C00999 REC_DEL_IND NOT NULL	C ENABLED
-TAL.TRADE-DATE-T-	
TRADE_DATE-PK	ENABLED

Displaying the information from the table above without break points would have been more cluttered such as shown in the following table that displays six columns with no break points as follows:

Owner Type	Tablename Condition	Constraint Status
TAL	MDR_TRADES_QUOTE S_TIME_SUM	SYS_C00997
C	"TRANS_FEE_CODE" IS NOT NULL	DISABLED
TAL	MDR_TRADES_QUOTE S_TIME_SUM	SYS_C00998
C	REC_DEL_IN ('Y', 'N')	ENABLED
TAL	MDR_TRADES_QUOTE S_TIME_SUM	SYS_C00999
C	REC_DEL_IND NOT NULL	ENABLED
TAL P	TRADE_DATE_T	TRADE_DATE_PK ENABLED

The present invention may determine which columns (if any) are the break points. To this end, the present invention may identify the columns of data, the display order of the

data, and/or the frequency of repetition for the ordered columns. From an identification of one or more of these values, a decision may be made to use break columns or not to use break columns. The present invention may also determine how many columns to display horizontally to provide the best visual perception for the user. In addition, the present invention may determine the width of each column to display. For example, the display in the previous table may be compacted visually by reducing the width of the first column and the third column. The following table shows the display of six columns with no break columns to reduce the width of the first column and the third column:

Owner Type	Tablename Condition	Constraint Status
TAL	MDR_TRADES_QUOTE S_TIME_SUM	SYS_C00997
C	"TRANS_FEE_CODE" IS NOT NULL	DISABLED
TAL	MDR_TRADES_QUOTE S_TIME_SUM	SYS_C00998
C	REC_DEL_IN ('Y', 'N')	ENABLED
TAL	MDR_TRADES_QUOTE S_TIME_SUM	SYS_C00999
C	REC_DEL_IND NOT NULL	ENABLED
TAL P	TRADE_DATE_T	TRADE_DATE_PK ENABLED

A limitation for viewing information is that when the information is larger than one screen size, a scroll bar is used to move the focus of the screen up or down. The scroll bar is similar to those scroll bars used with desktop computer software, such as word processors or Internet browsers. When using a scroll bar, the entire screen may be shifted up or down. As a result, the headings for the columns may scroll off of the screen.

As shown in the following table, the loss of viewing of header information after scrolling down is illustrated as follows:

TAL	MDR_TRADES_QUOTE S_TIME_SUM	SYS_C00997
C	"TRANS_FEE_CODE" IS NOT NULL	DISABLED
TAL	MDR_TRADES_QUOTE S_TIME_SUM	SYS_C00998
C	REC_DEL_IND IN ('Y', 'N')	ENABLED
TAL	MDR_TRADES_QUOTE S_TIME_SUM	SYS_C00999
C	REC_DEL_IND NOT NULL	ENABLED
TAL P	TRADE_DATE_T	TRADE_DATE_PK ENABLED
FRED	MDR_TRADES_QUOTE S_TIME_SUM2	SYS_C01003
C	"TRANS_FEE_CODE" IS NOT NULL	ENABLED

As shown by the above table, the heading information is not viewable which may cause difficulty in interpreting the data. In an embodiment of the present invention, the scrolling may be improved by the header information being held on the top of the screen while the user scrolls up or down. The data below the heading may shift while the header information always stays at the top of the screen. As a result, the visual perception of the user may be improved.

11

The effect of scrolling to the end of a data set, while the header remains at the top of the screen, is shown in the following table where header information may be maintained after scrolling down two lines (one record) as follows:

Owner	Tablename	Constraint
Type	Condition	Status
TAL	TRADE_DATE_T	TRADE_DATE_PK
P		ENABLED
FRED	MDR_TRADES_QUOTE S_TIME_SUM2	SYS_C01003
C	"TRANS_FEE_CODE" IS NOT NULL	ENABLED
FRED	EMP	EMP_PK
P		ENABLED
FRED	EMP_SALARY	SYS_C01006
C	"SALARY" IS NOT NULL	ENABLED
FRED	DEPT	EMP_PK

Note that in the above table, the last line ("FRED", "DEPT", "EMP_PK") refers only to the "owner", "tablename", and "constraint" fields of the data. The "type", "condition", and "status" fields are not shown. This result is due to the screen scrolling only by one line at a time that results in only one of the two lines for a record being displayed. In an embodiment of the present invention, a further improvement of the existing process for monitoring and management of databases, may be to scroll up and/or down an entire record using the scroll bars. For example, if a record spans two lines, as in the table above, then using the scroll bars may move the entire record, i.e. two lines, up and down. In the table above, only one line at a time was moved. The effects of scrolling one record at a time are shown in the following table. In the table below, header information and complete records may be maintained after scrolling down, and the records are not split off of the screen at the bottom as shown as follows:

Owner	Tablename	Constraint
Type	Condition	Status
TAL	TRADE_DATE_T	TRADE_DATE_PK
P		ENABLED
FRED	MDR_TRADES_QUOTE S_TIME_SUM2	SYS_C01003
C	"TRANS_FEE_CODE" IS NOT NULL	ENABLED
FRED	EMP	EMP_PK
P		ENABLED
FRED	EMP_SALARY	SYS_C01006
C	"SALARY" IS NOT NULL	ENABLED
FRED	DEPT	EMP_PK
P		ENABLED

In addition to the foregoing, color coding of records, fields, and/or borders may further enhance visual perception particularly in environments in which color is important. For example, all of the heading fields may be displayed in green, and all of the data fields may be displayed in white. Another example may be that all of the "owner" data fields and the "owner" heading may be in blue while all of the other data may be yellow. By displaying data in varying colors, the data information may be easier to perceive and/or to interpret by the user.

12

In an embodiment of the present invention, portions of data sets for browsing on wireless devices may be automatically wrapped. Due to the conventional nature of querying databases, many results return a significant amount of data. For example, a query of all objects in a database may return hundreds or even thousands of records. The amount of time to transmit this information over a wireless device is generally prohibitive. Also, a limit on the amount of data retrieved in a single call by a wireless device, which is not a limit on non-wireless-based products, typically exists. This limit cuts-off any additional data received that may possibly cause errors in the received data. To avoid this issue, the system and method of the present invention wraps the data.

Referring now to the drawings wherein like numerals refer to like parts, FIG. 1 illustrates a flowchart of an embodiment of various methods incorporated by the apparatus and/or system of the present invention. The flowchart illustrates retrieval of data from a database and determination if the number of records exceeds the threshold for wrapping. A large number of records may be anticipated and/or may be transferred from a database or server to a web or application server. The data may be retrieved from the database server and may be stored in a memory associated with the web or application server.

A program resident on a web or application server may choose a threshold number as identified at step. A threshold number of records may be established. For example, the threshold may be thirty records. Of course, a determination as to another number of records that may be more optimal based upon the size of the records may be made. The program resident on the web or application server may determine whether or not a result set is significantly large to the user such that one screen is ineffective to display, as shown in step.

As will be apparent to one of skill in the art, the screen size will vary from one particular wireless device to another. In a preferred embodiment, upon connection of a wireless device to the database server, various hardware and firmware parameters will be available or determined, either from a set of predetermined variables, or based upon pre-existing information corresponding to the type of wireless device being used. In any event, since the system of the invention preferably knows the size of the screen of the wireless device, the system can determine in step, for example, whether the information needs to be broken down into several different screens or if the information may be displayed on just a single screen (as illustrated in step).

If the result set is too large such that one screen is ineffective to display the result set, the data may break into several portions and/or may wrap several navigation buttons around the result. The records may be displayed such that several sets of records are spread out over several screens. The buttons may be implemented to assist the user in navigating among the set of records by using the "first", "back", "next", or "last" commands. In addition, there may be provided a "go to" button that allows the user to jump to a specific record directly. The result set of the query may be wrapped around the "first", "back", "next", "last" or "go to" buttons. The buttons may control going to the first set of thirty records, the previous set of thirty records, the next set of thirty records, and the final set of thirty records, for example, or in the case of the "go to" button would allow the user to jump to a specific record directly. This is shown in the following table where a set of data may be wrapped using "first", "back", "next", "last" or "go to" buttons.

<First><Back><Next><Last><Go To>	
OWNER	TABLE_NAME
SCOTT	EMP
SCOTT	DEPT
SCOTT	INVENTORY
...	...

The user may scroll through thirty (or the threshold predetermined for each screen by the web or application server) records. Selecting "First" 42 may bring up the first thirty records. Selecting "Back" 44 may retrieve the previous thirty records in the set. Selecting "Next" 46 may retrieve the next thirty records in the set. Selecting "Last" 48 may bring up the last thirty records (or portion thereof) in the set. Selecting "Go To" 49 would prompt the user to input a particular record number which, when entered, begins the display with the particular record number entered.

An alternative to the "First" 42, "Back" 44, "Next" 46, or "Last" 48 may be through other words or graphics, as shown in the following table where sets of data may be wrapped using "first", "back", "next", "last" or "go to" icon buttons.

OWNER	TABLE_NAME
SCOTT	EMP
SCOTT	DEPT
SCOTT	INVENTORY
...	...

Computations 41 may be made to determine which sets of records are contained in the last screen. For example, if there are 43 records, then the first set may contain records 1-30. The last set may contain records 31-43.

The present invention may also allow for maneuvering, as identified at a step 50 in FIG. 1, among the sets of 30 (or the threshold) records by jumping, as shown at a step 52, directly to a particular set. Jumping 52 directly to a particular set may be accomplished by the display of numbers representing a set of data. The following table illustrates wrapping of sets of data using numbered buttons to jump among sets.

Jump to Set:

<Previous> 1 2 3 4 5 6 7 8 9 10 <Next>	
OWNER	TABLE_NAME
SCOTT	EMP
SCOTT	DEPT
SCOTT	INVENTORY
...	...

In another embodiment of the present invention, the number of records in each set may be determined and/or the number of sets to display may be determined. In the table above, ten sets may be displayed. Clicking on "Previous" may go to the previous ten sets, and clicking on "Next" may go to the next ten sets.

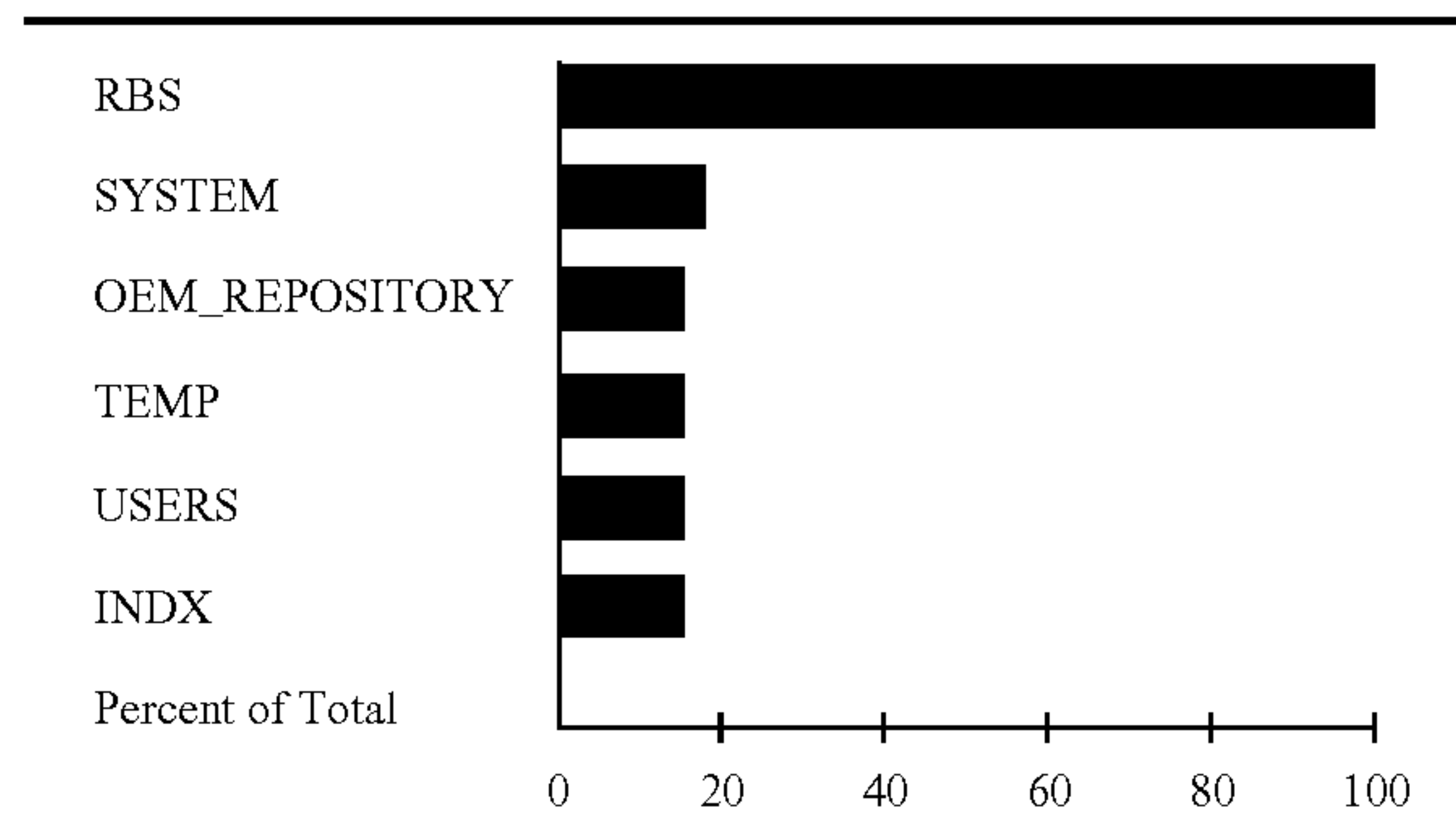
Between screens, session information may be stored on the system of the user that issued the query. Also, pointers

may be maintained to the record that the user last requested which maintains to which set of thirty records is currently pointed, and enables the web or application server 14 to move among the sets of thirty records. Also, in the event that the session times out, the user must re-enter his or her password. However, the present invention may allow use of the current set of information without having to re-query or retrieve all data from the database an additional time.

Referring to FIG. 2, a black box diagram of, an embodiment of a system 10 for the display of database information on a graph 22 or other format on, for example, a wireless device 18 is illustrated. Database information is displayed in a graph 22 or other format on a wireless device 18. The wireless device 18 of the present invention may query a database server 12 for data through a web or application server 14. Data may be retrieved from the database server 12 and stored in a memory 16 on the web or application server 14. When the data is returned as the result of a query, the data may be transferred to a graphing program 20. The graphing program 20, which preferably may be a native program on the wireless device 18 (typically written in C or C++ but may be written in any language), may take the data and may display the date in a graph 22 on a screen of the wireless device 18. The graph 22 may be a bar-chart, pie-chart, or in an other format determined by the user, the DBA or the like.

The query of the wireless device 18 may extend the basic functionality of wireless applications which cannot process and graph data. In an embodiment of the present invention, data may be retrieved from the database server 12,

30



45

automatically input the same into the graphing program, computed, and displayed as a graph 22 on the wireless devices 18 for the user. The following illustration is an example of a bar chart displayed by the invention. The graph 22 is displayed, followed by the actual data upon which the graph 22 is based.

50

-Tablespace-		
Total Activity	Reads	Writes
-RBS-		
37	11	26
-SYSTEM-		
1109	1093	16
-OEM REPOSITORY-		
4	3	1
-RBS-		

55

60

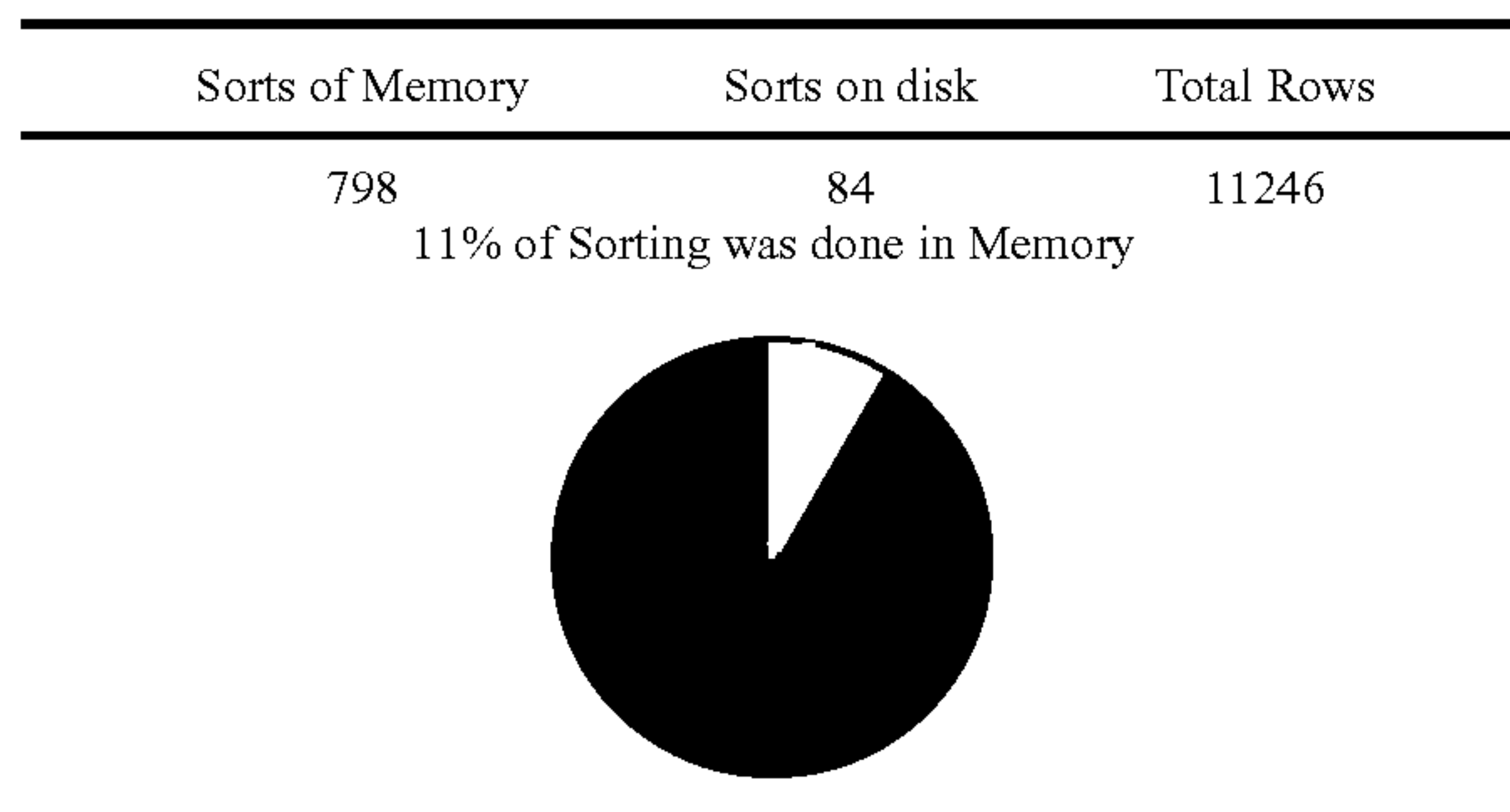
65

15

-continued

-Tablespace-		
Total Activity	Reads	Writes
4	3	1
-RBS-		
4	3	1
-RBS-		
4	3	1

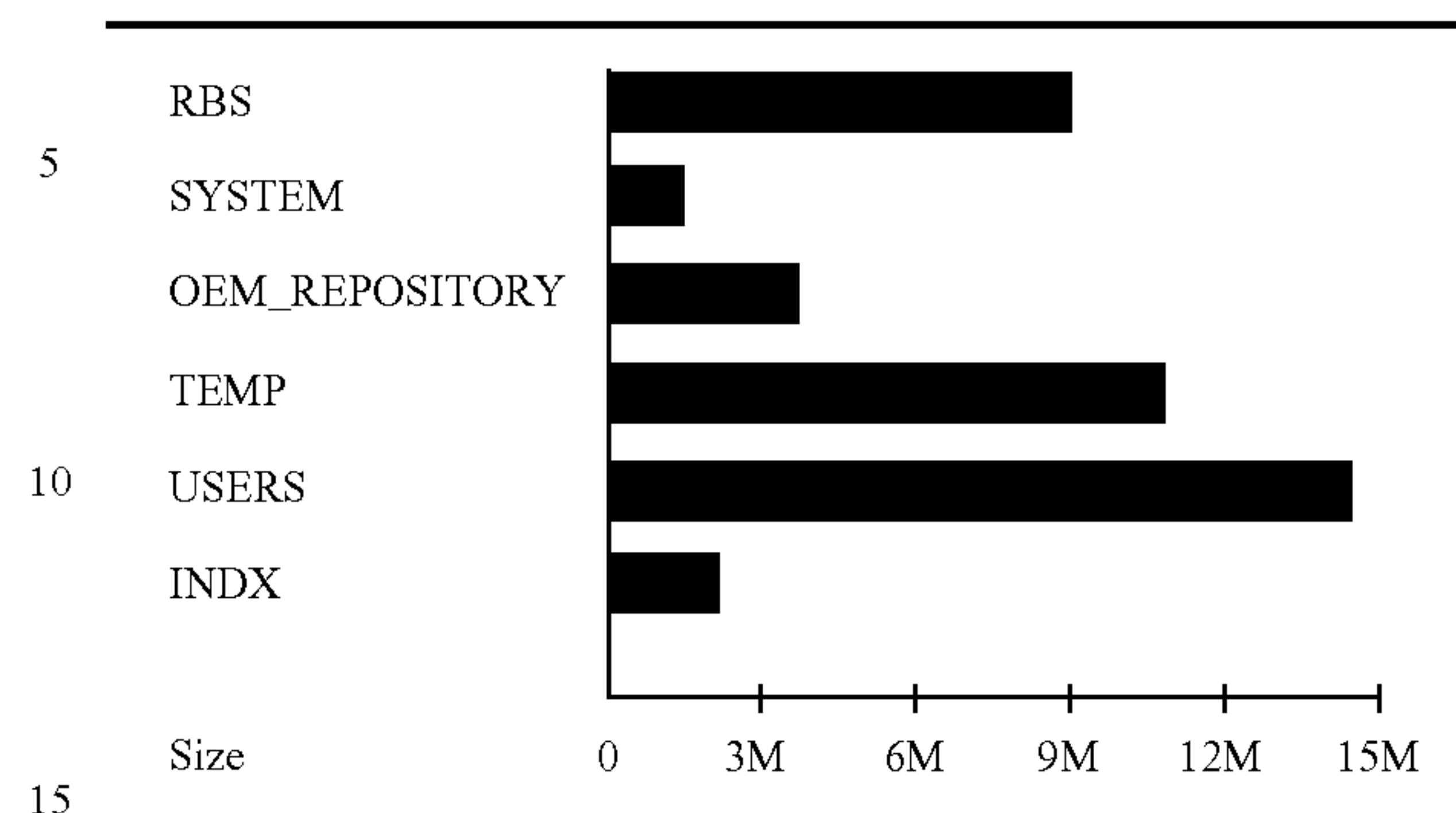
The following illustration is an example of a pie-chart. Below is the percent of sorts in memory:



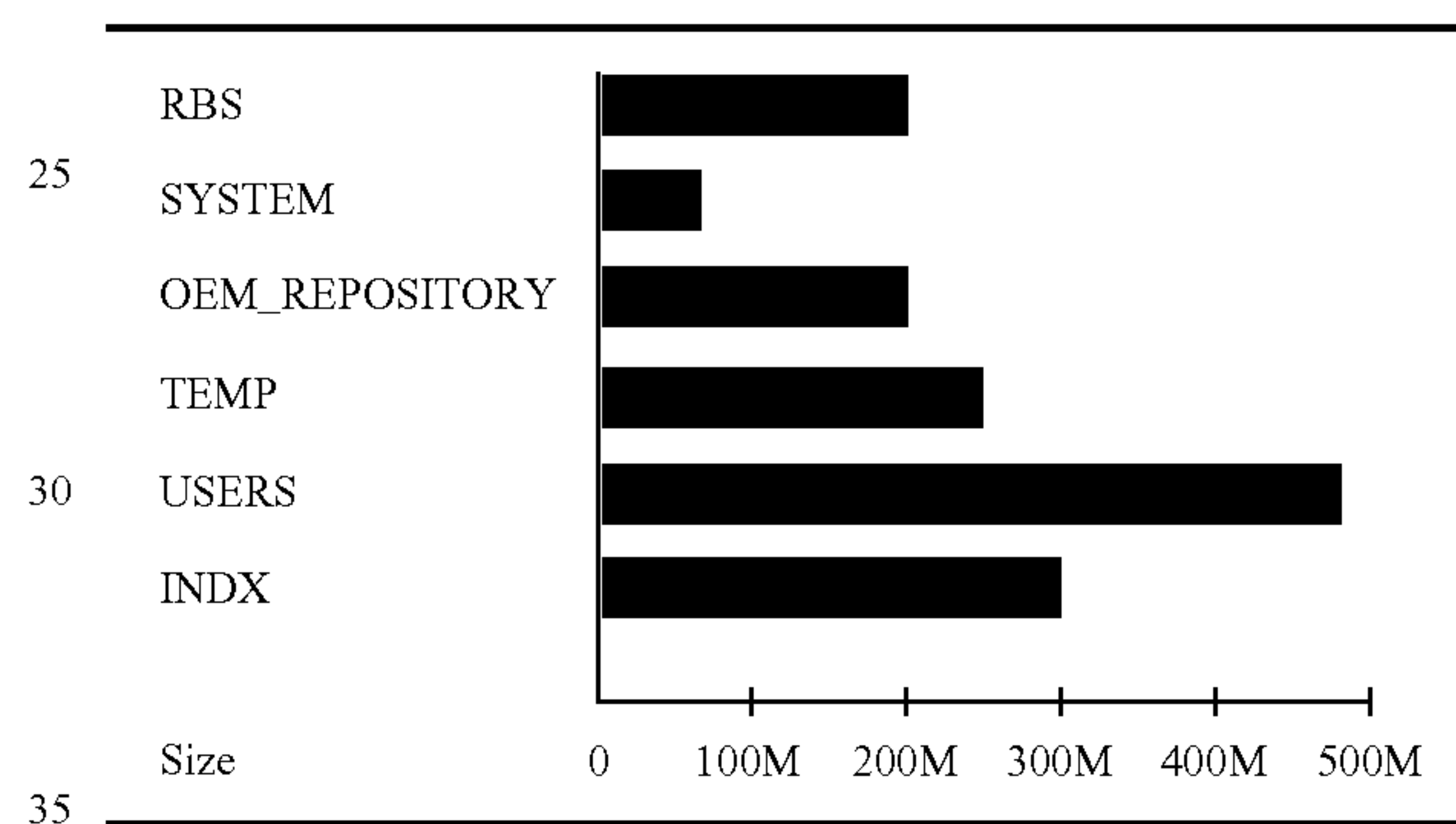
In another embodiment of the present invention, graphs 22 or other formats on the wireless device 18 may be auto-scaled. A graph 22 may have static or dynamic scales for an axis. For example, percentages always fall between 0 and 100 percent. Thus, a graph 22 of percentage, for example, always has the same X-axis scale. Other graphs 22, such as, for example, the size of objects, may vary depending upon the particular context for the data. For example, a table may vary from ten units to 1,000 units, 100,000 units, 100,000,000 units, or more.

When creating the graph 22 on the wireless device 18, the graphing program 20 may first decide to display data on a static axis or a dynamically scalable axis, such as, for example, an x-axis. In cases where the scale is static, such as the PERCENTAGE in the illustration above (which is always 0–100), no scaling is needed. If the scale were to change depending on the data, a formula may be applied to correlate the X-axis tick marks. The following chart shows data graphed where the largest data size (USERS) is 13.5 M. The present invention may receive all data and then determine that 15 M is the appropriate largest size of data for the X-Axis. The present invention may then determine the major “tick” points, which, in the case of the bar chart shown below are 3 M, 6 M, 9 M, and 12 M. The following are the total size of tablespaces:

16



The following bar chart shows similar data graphed for a larger database, in which case the largest tablespace is 450 M, with the X-Axis scaled for 500 M. The following are the total size of tablespaces:



In this example, data of any size may be displayed on the handheld device.

Referring now to FIG. 3, the wireless device 18 is generally illustrated. The wireless device 18 may have buttons 64, a scroll bar 66, a display means 62, and a wireless means 68 for accessing the web server 14. In the embodiment illustrated in FIG. 3, the wireless device 18 is a dedicated device manufactured as a tool for wireless communication for the monitoring and management of databases. Further, the wireless device 18, as illustrated, may be any handheld device capable of wireless communication, such as, for example, a Palm pilot, telephone, or the like.

It should be understood that various changes and modifications to the presently preferred embodiments described herein will be apparent to those skilled in the art. Such changes and modifications may be made without departing from the spirit and scope of the present invention and without diminishing its attendant advantages.

What is claimed is:

1. A method for wirelessly monitoring and [management of] *managing* databases wherein results are displayed on a wireless device, [the method] comprising [the steps of]:

receiving database information at the wireless device, and altering respective portions of the database information to represent respective altered database information for display at respective locations on a display of the wireless device based on respective sizes of the information represented by the respective portions and respective sizes of the respective locations; and displaying the altered database information on the display of the wireless device such that each of the respective

17

- altered information fits within its respective location on the display of the wireless device.
2. A method for formatting results on a screen of a wireless device, [the method] comprising [the steps of]:
- querying data records from a database;
 - anticipating a number of the data records to be retrieved from the database;
 - retrieving the data records from the database;
 - storing the data records on a server;
 - choosing a threshold number;
 - determining if the data records retrieved from the database is greater than the threshold number; and
 - displaying the data records at a display area on a display screen of the wireless device based on the results of the threshold comparison, the displaying including altering certain respective data records to represent respective altered data records for display at respective locations on the display screen of the wireless device based on respective sizes of the information represented by the respective portions and respective sizes of the respective locations.
3. The method of claim 2 wherein the displaying further comprises [the step of]:
- displaying the data records not greater than the threshold number on a single screen of the display of the wireless device.
4. The method of claim 2 wherein the displaying further comprises [the steps of]:
- breaking certain of the data records into portions;
 - wrapping each of the portions and displaying each of the wrapped portions at respective said locations on the display screen of the wireless device.
5. The method of claim 4 further comprising [the step of]:
- determining a number of data records in each of the portions.
6. The method of claim 4 further comprising [the step of]:
- navigating between each of the portions of data records.
7. The method of claim 2 further comprising [the step of]:
- displaying a solid box enclosing the display area.
8. The method of claim 2 wherein for each data record, the displaying further comprises [the steps of]:
- calculating a width in pixels of text in each data record;
 - computing a sum of the pixels;
 - calculating a width in pixels of a field in a respective said location in the display area;
 - entering the text on a first line of the field to the extent of the width in pixels of the text allowed in the width in pixels of the field in the display area; and
 - entering the text on a second line of the field to the extent of the width in pixels of the text allowed in the width in pixels of the field in the display area.
9. The method of claim 2 further comprising [the step of]:
- highlighting text from the data records within the display area.
10. The method of claim 2 further comprising [the steps of]:
- inputting retrieved data into a graphing program; and displaying the data in a graph.
11. The method of claim 10 further comprising [the step of]:
- displaying the data on an axis.
12. The method of claim 10 wherein the graph is a bar-chart.

18

13. A method for formatting results on a screen of a wireless device by breaking columns in a table, [the method] comprising [the steps of]:
- comparing columns of text in the table;
 - determining how many columns to display horizontally to provide a best visual perception;
 - determining a width of each of the columns to display;
 - choosing break points in the table, and altering respective portions of the database information representing the table to represent an altered format table;
 - displaying the altered format table having the determined number of horizontally displayed columns, the determined widths of each of the columns and the chosen break points.
14. The method of claim 13 wherein the displaying further comprises [the step of]:
- breaking columns with identical text by displaying the identical text on one line of the table.
15. The method of claim 13 further comprising [the step of]:
- highlighting the text of the table.
16. The method of claim 13 further comprising [the step of]:
- comparing a display order of data and a frequency of repetition for the columns in the table.
17. A method for formatting data records on a screen of a wireless device by using a scroll mechanism associated with the wireless device, [the method] comprising [the steps of]:
- shifting the data records on the screen;
 - keeping the data records together on the screen; and
 - locking one of the data records currently being displayed in a single area on the screen while shifting a remainder of the data records currently being displayed in the single area on the screen associated with the wireless device.
18. The method of claim 17 further comprising [the step of]:
- highlighting a selection of the data records.
19. A system for monitoring and [management of] *managing* a database, [the system] comprising:
- a wireless device having a screen and a wrapping means which determines respective sizes of respective portions of data in comparison to respective locations in which those respective portions are to be displayed on the screen, and alters the respective portions of data to represent respective altered information so that the respective altered information fit within their respective locations on the screen; and
 - a server associated with the database wherein the wireless device remotely accesses the database to retrieve the data.
20. A system for formatting data query results stored in a database wherein the database has text of data defined by a plurality of characters wherein each of the plurality of characters is defined by a number of pixels, [the system] comprising:
- a wireless device having means for retrieving the data query results;
 - a server having a memory associated with the server wherein the server has a means for remotely accessing the text data associated with the database and transferring the text of data to the wireless device; and
 - the wireless device further having a display screen and a display controller which determines respective sizes of

19

respective portions of the text data in comparison to respective locations in which those respective portions are to be displayed on the screen, and modifies the respective portions of text data so that the respective portions of the data fit within their respective locations.

21. A system for formatting results on a screen of a wireless device, [the system] comprising:

a database with text of data defined by tables having columns; and

a server in remote communication with the wireless device wherein the server determines a width of the columns, chooses the columns having an identical text and breaks the columns with the identical text by altering respective portions of the data to represent respective altered data so that the columns are displayable on a single display screen.

22. The system of claim 21 further comprising: means for highlighting the text of data.

23. The system of claim 21 further comprising: means for comparing a display order of the text of data; and

means for comparing a frequency of repetition for the columns in the table of the text of data.

24. A system for formatting data records on a wireless device, [the system] comprising:

a screen; and

a scrolling mechanism for shifting the data records on the screen wherein the scrolling mechanism keeps each of the data records together in a single display area on the screen and locks one of the data records currently being displayed in the single display area while shifting a remainder of the data records currently being displayed in the single display area on the screen.

25. The system of claim 24 further comprising: means for highlighting the data records.

26. An apparatus for monitoring and [management of] *managing* a database, [the apparatus] comprising:

a wireless means providing remote access to a server wherein the wireless means queries data records from the server wherein the server is associated with the database and further wherein the wireless means anticipates a number of data records to be retrieved from the database;

means for choosing a threshold number;

means for retrieving the data records from the database;

means for comparing a number of the retrieved data records to the threshold number; and

means for displaying the data records on a display screen of the wireless means based on the results of the threshold comparison, wherein the means for displaying is associated with the wireless means and operates to alter certain respective data records to represent respective altered data records for display at respective locations on the display screen of the wireless means based on respective sizes of the information represented by the respective portions and respective sizes of the respective locations.

27. The apparatus of claim 26 further comprising:

means for highlighting the data records.

28. The apparatus of claim 26 further comprising:

means for navigating between each of the data records.

29. A method for *wirelessly* monitoring and [management of] a system selected from the group comprising a network system, a computer system a software system, or a database]

20

managing an information processing system, wherein information from the system is displayed on a wireless device, [the method] comprising [the steps of]:

formatting information from the system for display on a screen of the wireless device by altering respective portions of the information to represent respective altered portions of information for display at respective locations on the display screen of the wireless device based on respective sizes of the information represented by the respective portions and respective sizes of the respective locations;

displaying the information in a predetermined format on the screen by wrapping portions of the information [and] so that all of the information fits within respective designated locations on the screen; and

browsing on the wireless device between portions of the information.

30. A method for formatting information on a screen of a wireless device, [the method] comprising [the steps of]:

querying a system for information;

anticipating a volume of information to be retrieved from the [database] *system*;

retrieving the information from the system;

storing the information on a server;

choosing a threshold volume of information;

determining if the volume of information retrieved from the system is greater than the threshold; and

displaying the information at a display area on the screen of the wireless device based on the results of the threshold comparison, the displaying including altering respective portions of the information to represent respective altered portions of information for display at respective locations on the screen of the wireless device based on respective sizes of the information represented by the respective portions and respective sizes of the respective locations.

31. The method of claim 30 wherein the displaying further comprises [the steps of]:

displaying a subset of the information having a volume not greater than the threshold corresponding to a single screen of the wireless device.

32. The method of claim 30 wherein the displaying further comprises [the steps of]:

breaking the information into subsets;

wrapping each of the subsets and displaying each of the wrapped subsets at respective said locations on the display screen of the wireless device.

33. The method of claim 32 further comprising [the step of]:

determining a volume of information in each of the subsets.

34. The method of claim 32 further comprising [the step of]:

navigating between each of the subsets of information.

35. The method of claim 30 wherein the displaying further comprises [the steps of]:

displaying a solid box enclosing the display area.

36. The method of claim 30 further comprising [the step of]:

highlighting text from the information [records] within the display area.

21

37. The method of claim 30 further comprising [the steps of]:

inputting retrieved information data into a graphing program; and

displaying the data in a graph.

38. The method of claim 37 further comprising [the step of]:

displaying the information on an axis.

39. The method of claim 37 wherein the graph is a bar-chart.

40. A method for formatting information on a screen of a wireless device by using a scroll mechanism associated with the wireless device, [the method] comprising [the steps of]:

shifting the information on the screen;

keeping the information together on the screen; and

locking a subset of the information currently being displayed in a single area on the screen while shifting a remainder of the information currently being displayed in the single area on the screen associated with the wireless device.

41. The method of claim 40 further comprising [the step of]:

highlighting a selection of the information.

42. A system for formatting information on a wireless device, [the system] comprising:

a screen; and

a scrolling mechanism for shifting a first subset of the information currently being displayed in a single area on the screen wherein the scrolling mechanism keeps the information of the first subset together and locks a second subset of the information currently being displayed in the single area on the screen while shifting a remainder of the first subset of information on the screen.

43. The system of claim 42 further comprising:

means for highlighting a portion of the information.

44. An apparatus for monitoring and [management] *managing* information from a system, [the apparatus] comprising:

a wireless means providing remote access to a server wherein the wireless means queries information from the server wherein the server is associated with the system and further wherein the wireless means anticipates a volume of information to be retrieved from the system;

means for choosing a threshold volume of information;

means for retrieving the information from the system;

means for comparing a volume of information to the threshold volume of information; and

means, associated with the wireless means, for displaying the information on a display screen of the wireless means based on the results of the threshold comparison, the displaying including altering respective portions of the information to represent respective altered portions of information for display at respective locations on the screen of the wireless means based on respective sizes of the information represented by the respective portions and respective sizes of the respective locations.

45. The apparatus of claim 44 further comprising:

means for highlighting the information.

46. The apparatus of claim 44 further comprising:

means for navigating between portions of the information.

47. A method for processing database information retrieved in a query for delivery over a network to a wireless device having a display, comprising:

22

altering portions of the database information to represent respective altered database information for display at respective locations on a display of the wireless device based on respective sizes of the information represented by the respective portions and respective sizes of the respective locations; and

displaying the altered database information on the display of the wireless device such that each of the respective altered information fits within its respective location on the display of the wireless device.

48. A wireless device for monitoring and managing an information processing system, comprising:

a receiver configured to receive information from the information processing system;

a display screen and a display screen controller, the display screen controller configured to alter respective portions of the received information to represent respective altered received information for display at respective locations on the display screen of the wireless device based on respective sizes of the received information represented by the respective portions and respective sizes of the respective locations; and

the display screen controller further configured to display the altered received information on the display screen of the wireless device such that each of the respective altered received information fits within its respective location on the display screen of the wireless device.

49. The wireless device of claim 48, further comprising:

a wrapping means configured to display the respective altered portions of information in a predetermined format on the display screen by wrapping portions of the respective altered portions of information so that all of the respective altered portions of information fit within respective designated locations on the display screen; and

a navigating means configured to receive from a user of the wireless device commands to browse on the wireless device between respective altered portions of the received information.

50. The wireless device of claim 48, wherein the receiver is configured to retrieve the information from a database system, further comprising:

a processor component configured to anticipate a volume of information to be retrieved from the database system;

the processor component comprising means for choosing a threshold volume of information which may be displayed on the display screen of the wireless device;

the processor component further including comparison means for determining if the volume of information retrieved from the database system is greater than the threshold; and

the display screen controller configured to display the information at a display area on the display screen of the wireless communications device based on the results of the threshold comparison, at least one of the processor component and display screen controller further configured to alter respective portions of the database information to represent respective altered portions of information for display at respective locations on the display screen of the wireless communication device based on respective sizes of the information represented by the respective portions and respective sizes of the respective locations.

51. The wireless device of claim 50, wherein the volume of information is the number of data records retrieved from the database as a result of a database query;

23

wherein the threshold volume is a threshold number of records suitable for display on the display screen of the wireless device;

wherein said comparison means of the processor component is further configured to determine if the number of data records retrieved from the database is greater than the threshold number; and

wherein said processor component is further configured to break the data records into portions suitable for display at a display area on the display screen of the wireless device based on the results of the threshold comparison.

52. The wireless device of claim 50, wherein the processor component and/or display controller are further configured to determine a width of the columns of a table of the database, choose the columns having an identical text, and break the columns with the identical text by altering respective portions of the data to represent respective altered data so that the columns are displayable on a single display screen of the wireless device.

53. The wireless device of claim 48, wherein the display screen further comprises a scrolling mechanism;

wherein said scrolling mechanism is configured to shift a first subset of the information currently being displayed in a single area on the display screen;

wherein the scrolling mechanism keeps the information of the first subset together and locks a second subset of the information currently being displayed in the single area on the display screen while shifting a remainder of the first subset of information on the display screen.

54. The wireless device of claim 53, wherein:

the receiver is configured to receive data records;

the scrolling mechanism is configured to shift the data records on the display screen; and

the scrolling mechanism keeps each of the data records together in a single display area on the display screen and locks one of the data records currently being displayed in the single display area while shifting a remainder of the data records currently being displayed in the single display area on the display screen.

55. The wireless device of claim 48, wherein the receiver is configured to receive query results of a database query;

wherein the database query results are comprised of text of data defined by a plurality of characters wherein each of the plurality of characters is comprised of a number of pixels; and

wherein for each data record at least one of the display controller and a processor component is configured to:

calculate a width as a number of pixels of a first line on the display screen on which the text data is to be displayed on the display screen;

calculate a width as a number of pixels of a second line on the display screen on which the text data to be displayed on the display screen;

enter the text data on the first line to the extent of the width in pixels of the text allowed in the width in pixels of the first line; and

enter the text data on the second line to the extent of the width in pixels of the text allowed in the width in pixels of the second line.

56. The wireless device of claim 48, wherein the display controller is further configured to display the received information on a graph.

57. The wireless device of claim 56, wherein said graphing means is further configured to display the received data on an axis.

24

58. The wireless device of claim 56, wherein said graphing means is further configured to display the received data in at least one of a bar-chart and a pie-chart format.

59. The wireless device of claim 56, wherein said graphing means is further configured to auto-scale the graph.

60. The wireless device of claim 59, wherein said graphing means auto-scales the graph by at least one of static scaling or dynamic scaling.

61. A server for wirelessly monitoring and managing an information processing system, wherein information retrieved from the information processing system is displayed on a display screen of a wireless device configured to receive information from the server, comprising:

a receiving component configured to retrieve information from a storage of the information processing system;

a formatting means configured to format the retrieved information for display on the display screen of the wireless device by altering respective portions of the information to represent respective altered portions of information for display at respective locations on the display screen of the wireless device based on respective sizes of the information represented by the respective portions and respective sizes of the respective locations.

62. The server of claim 61, wherein:

said server is a database server configured for receiving a database query from the wireless device and delivering results of the database query to the wireless device, the wireless device being configured to monitor and manage a database system via the display screen;

said formatting means is a resident program of the database server, the resident program configured to alter respective portions of the retrieved database information to represent respective altered database information for display at respective locations on the display screen of the wireless device based on respective sizes of the information represented by the respective portions and respective sizes of the respective locations;

a display controller of the wireless device may receive the respective altered database information; and

said display controller may display the received altered database information on the display screen of the wireless device such that each of the respective altered information fits within its respective location on the display screen of the wireless device.

63. The server of claim 62, further comprising a processor component configured to determine a volume of the information retrieved from the database as a result of the query;

wherein said processor component comprises a comparison means configured to determine if the volume of information retrieved from the database is greater than a threshold volume of information, wherein the threshold number pertains to a volume of information suitable for display on the display screen of the wireless device; and

wherein the processor component is configured to alter portions of the retrieved information to create portions suitable for display at a display area on the display screen of the wireless device based on the results of the threshold comparison, the processor configured to alter respective portions of the information for display at respective locations on the display screen of the wireless device based on respective sizes of the information represented by the respective portions and respective sizes of the respective locations.

64. The server of claim 63, wherein the volume of information is comprised of the number of data records retrieved from the database as a result of the database query, wherein:

25

the threshold volume of information is the number of data records suitable for display on the display screen of the wireless device;

said comparison means is further configured to determine if the number of data records retrieved from the data- 5
base is greater than the threshold number; and

said processor component is further configured to break the data records into portions suitable for display at a display area on the display screen of the wireless device based on the results of the threshold comparison, the 10
processor component configured to break certain respective data records to represent respective altered data records for display at respective locations on the display screen of the wireless device based on respec-
tive sizes of the information represented by the respec-
tive portions and respective sizes of the respective loca-
tions.

65. *The server of claim 63, wherein the processor component is configured to alter portions of the retrieved information to create portions suitable for display at a display area on the display screen of the wireless device by wrapping the* 20
respective portions of retrieved database data to represent respective wrapped information so that the respective wrapped information fit within their respective locations on the display screen of the wireless device.

66. *The server of claim 63, wherein the retrieved information is text of a data record defined by a plurality of characters wherein each of the plurality of characters is defined by a number of pixels:*

and wherein for each data record the processor component of the server is configured to:

calculate a width as a number of pixels of a first line on the display screen of the wireless device on which the text data is to be displayed;

calculate a width as a number of pixels of a second line on the display screen on which the text data to be displayed on the display screen;

divide the text data on the first line to the extent of the width in pixels of the text allowed in the width in pixels 40
of the first line; and

divide the text data on the second line to the extent of the width in pixels of the text allowed in the width in pixels
of the second line;

wherein said text will be displayed on the first line and the second line of the display of the wireless device so as to fit on the first line and the second line of the wireless device.

67. *The server of claim 63, wherein the processor component is configured to retrieve a table of the database for visual display, the table of the database being comprised of columns of text;*

the processor component further configured for determining a width of the columns of the table of the database, choosing the columns having an identical text, and 55
breaking the columns with the identical text by altering respective portions of the data to represent respective altered data so that the columns are displayable on the display screen of the wireless device.

68. *A user interface for wirelessly monitoring and managing an information processing system, comprising:*

a display screen of a wireless device configured to receive information from the information processing system for display;

said user interface having a respective region at a respective location of said display screen configured to dis-

26

play a respective altered portion of the received information to represent a respective altered portion of information for display at the respective location on the display screen based on a respective size of the information represented by the respective portion and a
respective size of the respective location, wherein said
respective altered portion of information has been
altered to conform to the respective size of the respec-
tive region; and

a navigation means configured to receive from a user of the wireless device commands to browse on the display screen of the wireless device between respective altered 10
portions of the received information.

69. *The user interface of claim 68, wherein said information processing system comprises a database system, and* 15
said received information comprises database data retrieved in response to a database query from the wireless device to the database system.

70. *The user interface of claim 69, wherein said region configured to display an altered portion of the received information comprises a region configured to wrap the* 20
received database information to fit within the region.

71. *The user interface of claim 69, wherein said navigation means comprises a scrolling mechanism configured to* 25
shift the data records on the display screen wherein the scrolling mechanism keeps each of the data records together in a single display area on the display screen and locks one of the data records currently being displayed in the single display area while shifting a remainder of the data records
currently being displayed in the single display area on the 30
display screen.

72. *The user interface of claim 68, further comprising graphing means configured to display the received information on a graph.*

73. *The user interface of claim 72, wherein said graphing means is further configured to display the received data on* 35
an axis.

74. *The user interface of claim 72, wherein said graphing means is further configured to display the received data in at* 40
least one of a bar-chart or a pie-chart.

75. *The user interface of claim 72, wherein said graphing means is further configured to auto-scale the graph.*

76. *The user interface of claim 75, wherein said graphing means auto-scales the graph by at least one of static scaling* 45
or dynamic scaling.

77. *A method for formatting information on a display screen of a wireless device, comprising:*

querying a system for information;

anticipating a volume of information to be retrieved from the system;

retrieving the information from the system;

choosing a threshold volume of information;

determining if the volume of information retrieved from the system is greater than the threshold; and 55

displaying the information at a display area on the display screen of the wireless device based on the results of the threshold comparison, the displaying including altering
respective portions of the information to represent
respective altered portions of information for display at
respective locations on the display screen of the wire-
less device based on respective sizes of the information
represented by the respective portions and respective
sizes of the respective locations.

78. *The method of claim 77, wherein the system comprises a database and the volume of information comprises a num-* 65
ber of records, further comprising:

27

querying data records from the database;
anticipating a number of the data records to be retrieved
from the database;
retrieving the data records from the database;
choosing a threshold number of records; 5
determining if the number of data records retrieved from
the database is greater than the threshold number of
records; and
displaying the data records at a display area on a display
screen of the wireless device based on the results of the 10
threshold comparison, the displaying including alter-
ing certain respective data records to represent respec-
tive altered data records for display at respective loca-
tions on the display screen of the wireless device based
on respective sizes of the information represented by 15
the respective portions and respective sizes of the
respective locations.
 79. *The method of claim 78, further comprising:*
setting the threshold number in conformance with a num-
ber of records suitable for display on a display screen 20
of the wireless device.

28

80. *The method of claim 78, further comprising:*
determining a text data of a data record of the retrieved
data records, wherein the text comprises a plurality of
characters, wherein each of the plurality of characters
comprises a number of pixels;
calculating a width as a number of pixels of a first line on
the display screen on which the text data of the data
record is to be displayed on the display screen;
calculating a width as a number of pixels of a second line
on the display screen on which the text data of the data
record is to be displayed on the display screen;
entering the text data on the first line to the extent of the
width in pixels of the text allowed in the width in pixels
of the first line; and
entering the text data on the second line to the extent of
the width in pixels of the text allowed in the width in
pixels of the second line.

* * * * *