

US00RE41852E

(19) **United States**  
(12) **Reissued Patent**  
To

(10) **Patent Number:** **US RE41,852 E**  
(45) **Date of Reissued Patent:** **Oct. 26, 2010**

(54) **RECTILINEAR BINDER RING**

D356,112 S 3/1995 Constantine

(75) Inventor: **Chun Yuen To**, Hong Kong (CN)

(Continued)

(73) Assignee: **World Wide Stationery Mfg. Co., Ltd.**,  
Kwai Chung, New Territory (HK)

OTHER PUBLICATIONS

World Wide Stationery Manufacturing Company Limited,  
publication date unknown (A).

(21) Appl. No.: **29/354,464**

(22) Filed: **Jan. 25, 2010**

(Continued)

**Related U.S. Patent Documents**

Reissue of:

(64) Patent No.: **Des. 585,935**  
Issued: **Feb. 3, 2009**  
Appl. No.: **29/275,751**  
Filed: **Jan. 5, 2007**

*Primary Examiner*—Philip S Hyder

*Assistant Examiner*—Kelley A Donnelly

(74) *Attorney, Agent, or Firm*—Senniger Powers LLP

(57) **CLAIM**

The ornamental design for rectilinear binder ring, as shown  
and described.

(30) **Foreign Application Priority Data**

Jul. 6, 2006 (CN) ..... 2006 3 0131069  
Jul. 6, 2006 (CN) ..... 2006 3 0131068

**DESCRIPTION**

(51) **LOC (9) Cl.** ..... **19 04**  
(52) **U.S. Cl.** ..... **D19/32**  
(58) **Field of Classification Search** ..... D19/32,  
D19/26–30, 49, 100; 402/26, 31, 36, 38,  
402/39, 41; 281/45–51, 3.1, 15.1, 21.1, 22  
See application file for complete search history.

FIG. 1 is a perspective of a rectilinear binder ring attached to  
a ring binder mechanism, the ring binder mechanism and  
two other rings being shown in phantom;

FIG. 2 is a front elevational view of the rectilinear binder  
ring of FIG. 1, the back elevational view of the ring being  
identical;

FIG. 3 is a top plan view thereof;

FIG. 4 is a bottom plan view thereof; and,

FIG. 5 is a right side elevational view of the ring, the left side  
elevational view being identical.

The phantom lines in the drawings indicate environmental  
structure which forms no part of the claimed design.

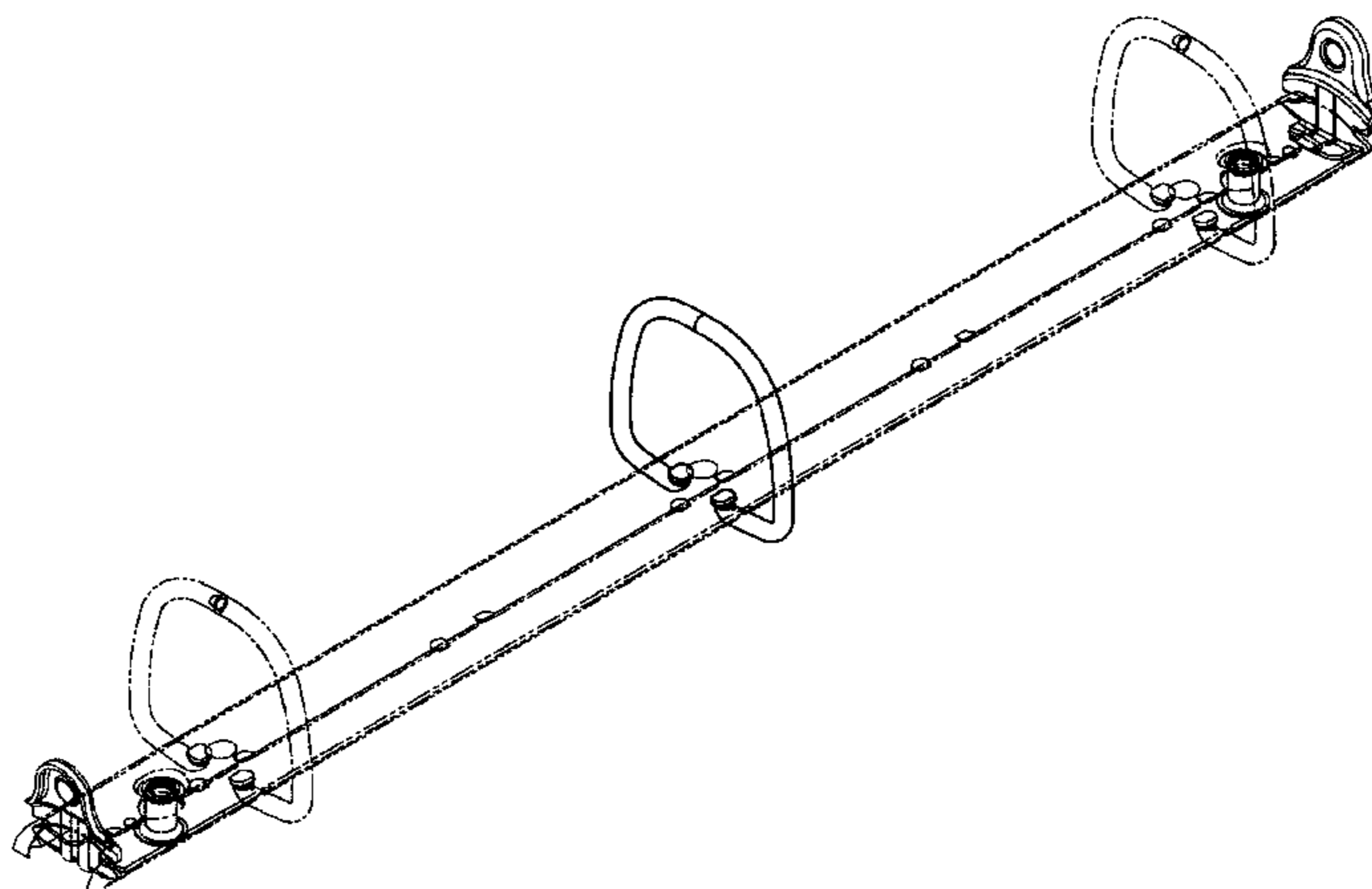
(56) **References Cited**

**U.S. PATENT DOCUMENTS**

1,473,354 A 11/1923 Nachtrieb  
RE18,806 E 4/1933 Dawson  
2,103,307 A 12/1937 Unger  
2,218,105 A 10/1940 Griffin  
2,371,474 A 3/1945 Seelman  
2,673,564 A 3/1954 Derringer  
3,263,687 A 8/1966 Weichert  
3,404,685 A 10/1968 Vernon  
3,827,111 A 8/1974 O'Connell  
4,552,478 A 11/1985 Cohen  
4,792,253 A 12/1988 Jacobson  
5,106,222 A 4/1992 D'Amore  
D325,928 S 5/1992 Bourgeois  
5,332,327 A 7/1994 Gillum

**1 Claim, 5 Drawing Sheets**

**Matter enclosed in heavy brackets [ ] appears in the  
original patent, but forms no part of this reissue; matter  
printed in italics indicates the additions made by reissue.**



# US RE41,852 E

Page 2

## U.S. PATENT DOCUMENTS

D377,805 S 2/1997 To  
D382,593 S 8/1997 To  
5,718,529 A 2/1998 Chan  
D392,997 S 3/1998 Chan  
5,772,348 A 6/1998 To  
D408,851 S 4/1999 To  
5,971,649 A 10/1999 To  
5,975,785 A 11/1999 Chan  
5,980,146 A 11/1999 To  
6,007,266 A 12/1999 Cheng et al.  
6,033,144 A 3/2000 Ng et al.  
6,045,286 A 4/2000 Tung  
D426,571 S 6/2000 To  
D433,445 S \* 11/2000 To ..... D19/32  
6,142,697 A 11/2000 Williams  
6,217,247 B1 4/2001 Ng  
6,749,357 B2 6/2004 Cheng  
6,758,621 B2 7/2004 To  
7,241,067 B2 7/2007 Cheng  
7,275,886 B2 10/2007 Cheng  
7,296,946 B2 11/2007 Cheng et al.  
7,404,685 B2 7/2008 Cheng  
D582,477 S 12/2008 To  
D585,935 S 2/2009 To  
7,491,006 B2 2/2009 Whaley  
7,524,128 B2 4/2009 Cheng  
7,527,449 B2 5/2009 Petrie et al.  
7,530,755 B2 5/2009 Whaley  
7,549,817 B2 6/2009 Cheng et al.

D598,494 S \* 8/2009 To ..... D19/32  
7,637,682 B2 \* 12/2009 To ..... 402/38  
7,654,764 B2 \* 2/2010 To ..... 402/31  
D616,023 S \* 5/2010 To ..... D19/32  
2004/0037614 A1 2/2004 Busam et al.  
2005/0013654 A1 1/2005 Cheng et al.  
2005/0201818 A1 9/2005 Cheng  
2005/0201819 A1 9/2005 Cheng  
2005/0207826 A1 9/2005 Cheng et al.  
2005/0214064 A1 9/2005 Ng et al.  
2006/0147253 A1 7/2006 Cheng  
2006/0216107 A1 9/2006 Lin  
2006/0251467 A1 11/2006 Cheng  
2007/0086836 A1 4/2007 Cheng  
2008/0075526 A1 3/2008 Ng

## OTHER PUBLICATIONS

World Wide Stationery Manufacturing Company Limited,  
publication date unknown ( B).  
World Wide Stationery Manufacturing Company Limited,  
publication date unknown ( C).  
Office action dated Jun. 11, 2008 regarding related U.S.  
Appl. No. 29/275,751, 8 pages.  
Office action dated Aug. 4, 2009 regarding related U.S.  
Appl. No. 29/330,295, 6 pages.  
Response filed Oct. 29, 2009 to Office Action dated Aug. 4,  
2009 regarding U.S. Appl. No. 29/330,295, 6 pgs.

\* cited by examiner

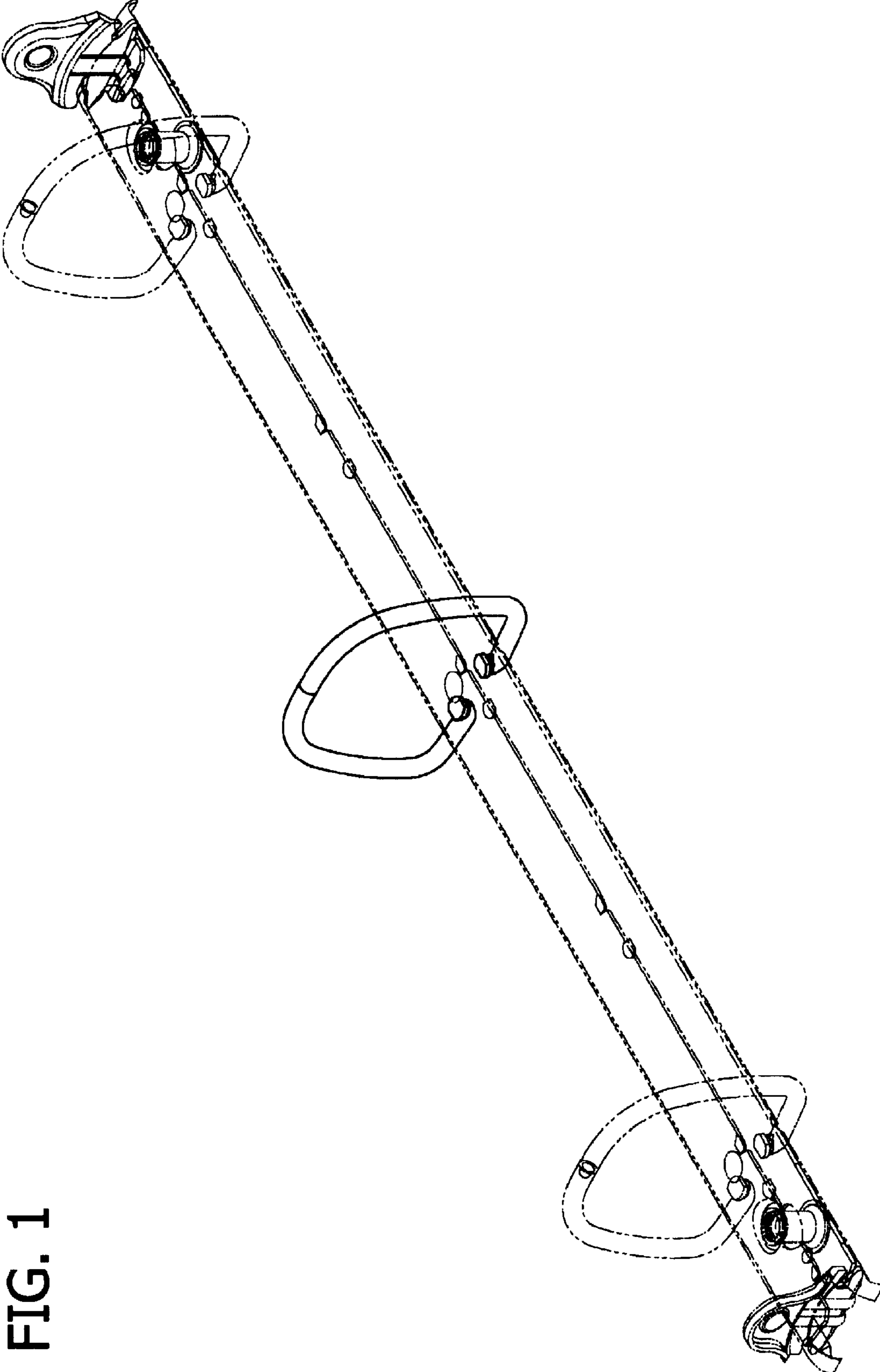
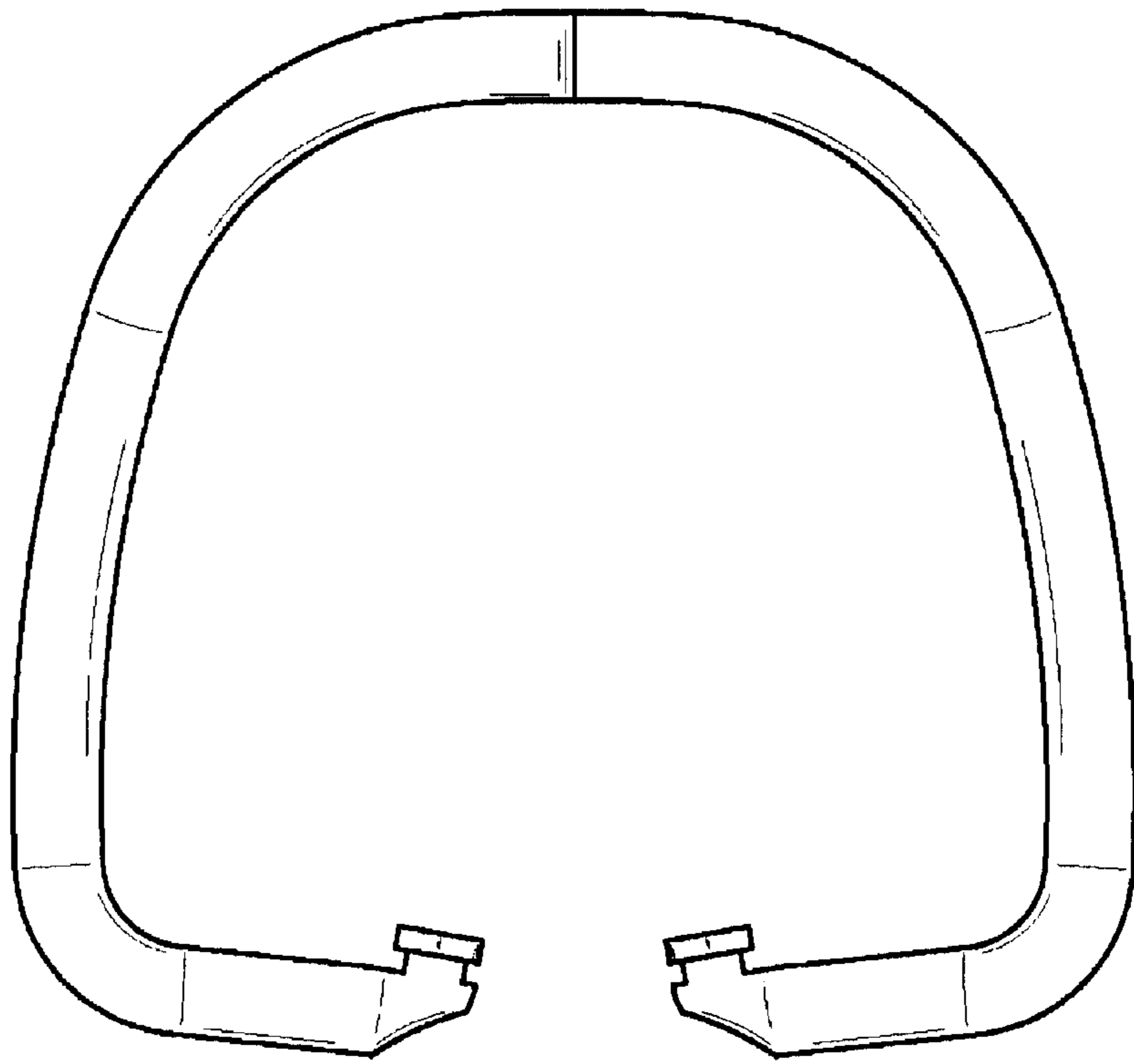


FIG. 1

FIG. 2



**FIG. 3**

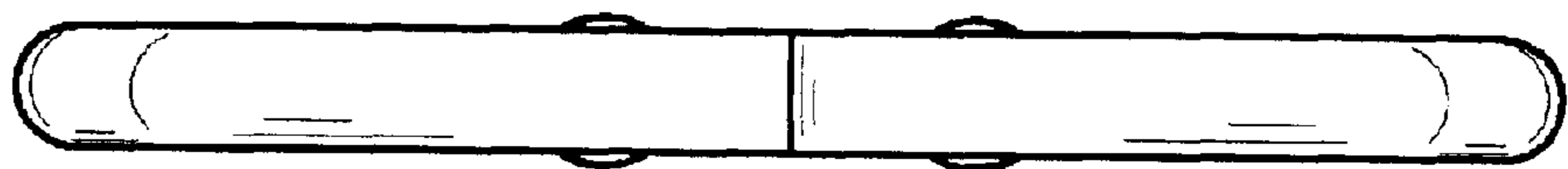
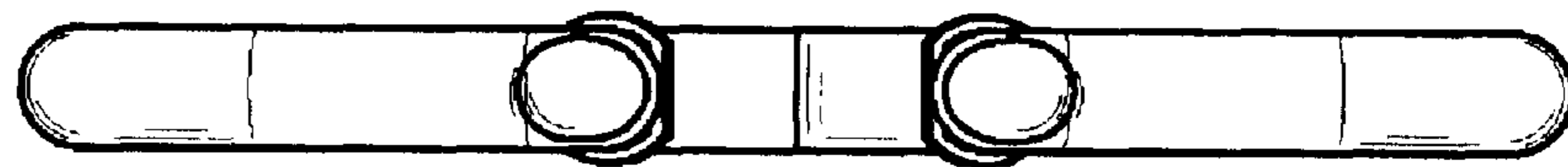


FIG. 4



# FIG. 5

