

US00RE41711E

(19) **United States**  
(12) **Reissued Patent**  
**Dumler et al.**

(10) **Patent Number:** **US RE41,711 E**  
(45) **Date of Reissued Patent:** **Sep. 21, 2010**

(54) **COSMETIC BRUSH**  
(75) Inventors: **Norbert Dumler**, Ansbach (DE);  
**Daniela Kulik**, Feuchtwangen (DE)  
(73) Assignee: **Geka Brush GmbH**, Bechhofen (DE)  
(21) Appl. No.: **29/311,375**  
(22) Filed: **Mar. 3, 2009**

4,572,224 A \* 2/1986 Rosenwinkel et al. .... 132/218  
4,635,659 A \* 1/1987 Spatz ..... 132/218  
4,802,797 A \* 2/1989 Cole ..... 401/122  
5,826,600 A \* 10/1998 Rowe et al. .... 132/317  
6,616,366 B1 \* 9/2003 Weihs ..... 132/218  
2002/0059942 A1 \* 5/2002 Neuner et al. .... 132/218  
2007/0034224 A1 \* 2/2007 Dumler ..... 132/218

\* cited by examiner

*Primary Examiner*—Jennifer Rivard  
(74) *Attorney, Agent, or Firm*—Browdy and Neimark, PLLC

**Related U.S. Patent Documents**

Reissue of:

(64) Patent No.: **Des. 574,154**  
Issued: **Aug. 5, 2008**  
Appl. No.: **29/253,552**  
Filed: **Feb. 9, 2006**

(57) **CLAIM**

The ornamental design for a cosmetic brush, as shown and described.

(30) **Foreign Application Priority Data**

Aug. 12, 2005 (EM) ..... 000386388-0002

(51) **LOC (9) Cl.** ..... **04-02**

(52) **U.S. Cl.** ..... **D4/128**

(58) **Field of Classification Search** ..... 15/207.2,  
15/206, DIG. 15, 27, 188; 132/218, 317,  
132/320; 401/122, 126, 127, 129; D4/128,  
D4/136

See application file for complete search history.

**DESCRIPTION**

FIG. 1 is a top plan view of a cosmetic brush, showing our new design;  
FIG. 2 is a side elevational view thereof, the opposite side view being a mirror image; and,  
FIG. 3 is a perspective view thereof.

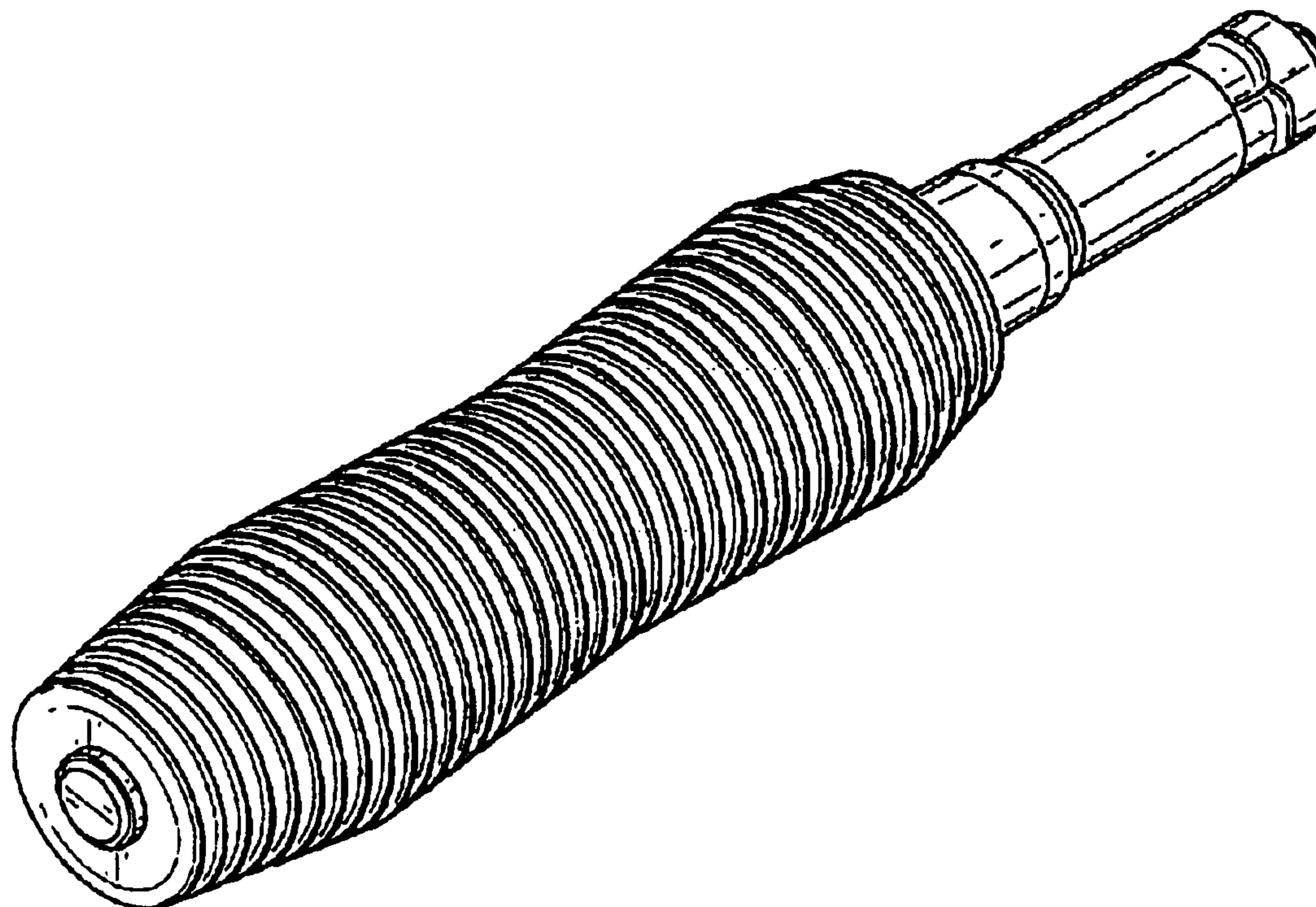
**1 Claim, 2 Drawing Sheets**

(56) **References Cited**

**U.S. PATENT DOCUMENTS**

4,411,282 A \* 10/1983 Wavering ..... 132/218

**Matter enclosed in heavy brackets [ ] appears in the original patent, but forms no part of this reissue; matter printed in italics indicates the additions made by reissue.**



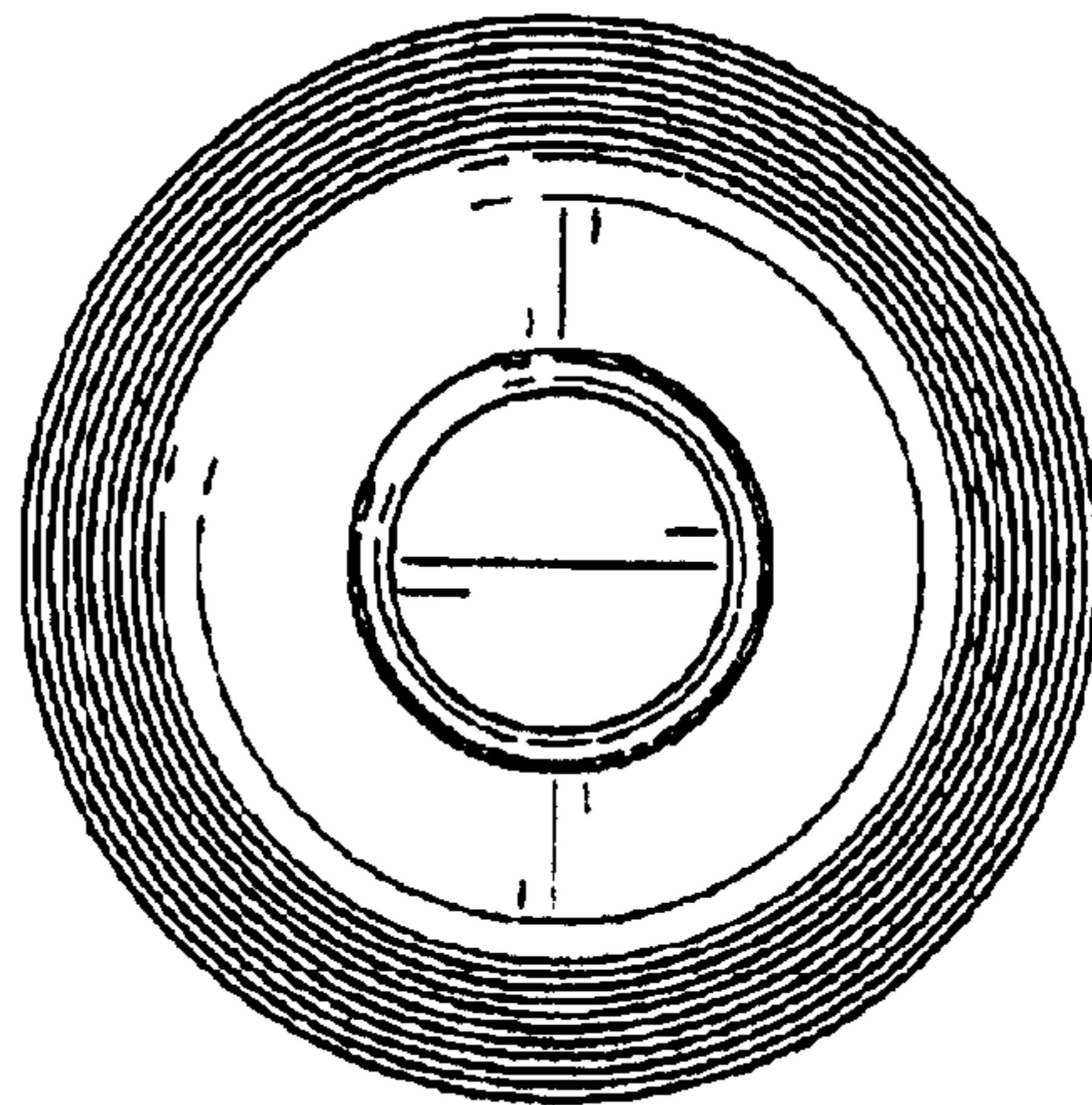


FIG. 1

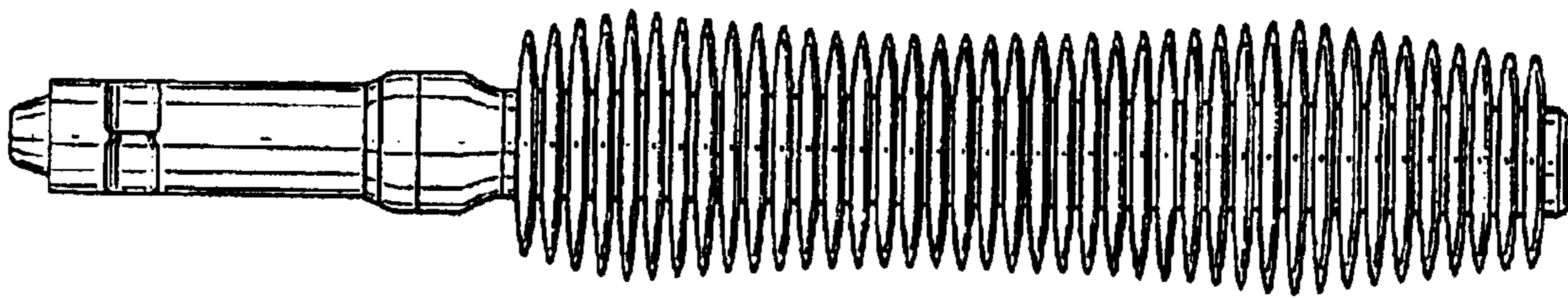


FIG. 2

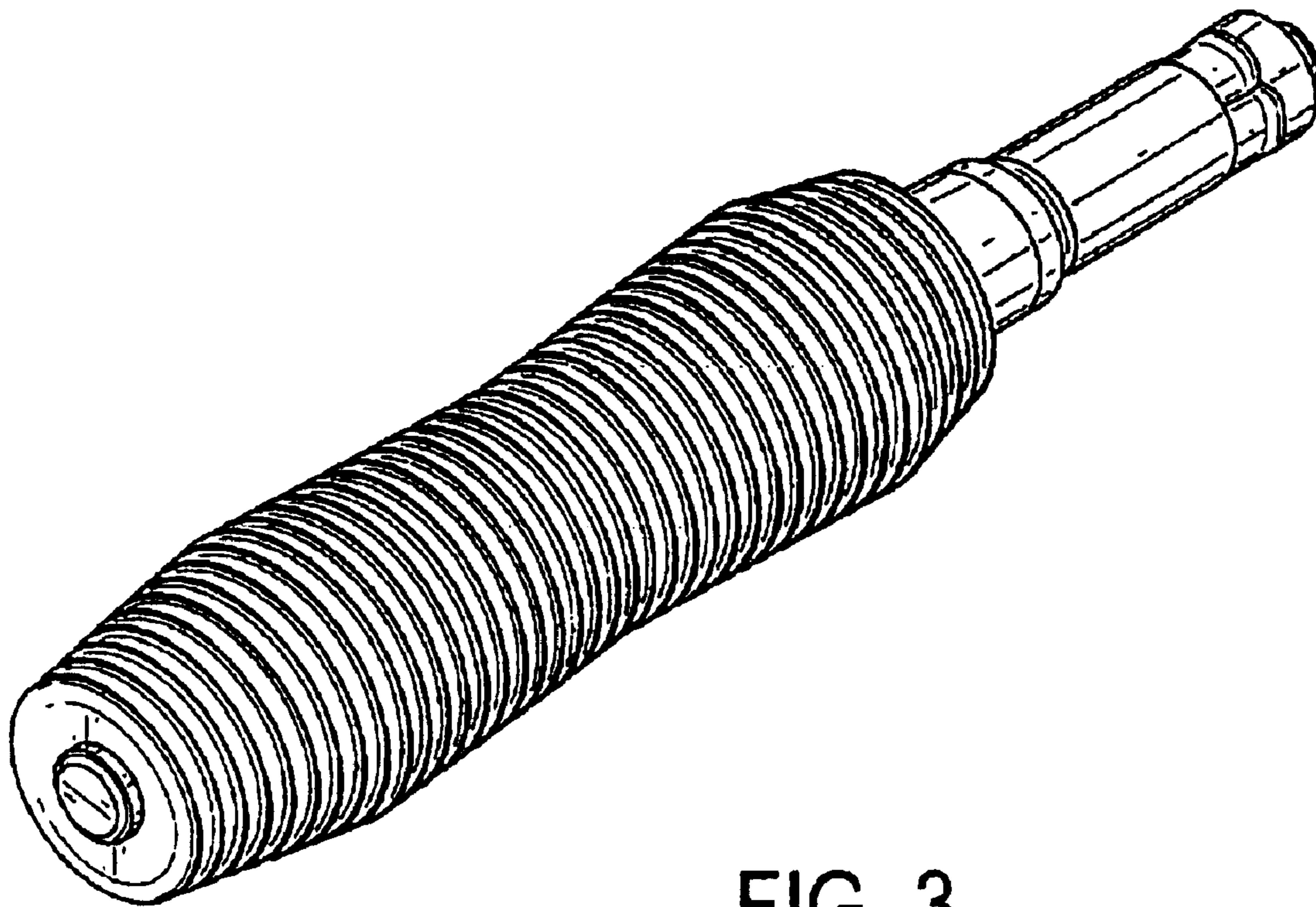


FIG. 3

UNITED STATES PATENT AND TRADEMARK OFFICE  
**CERTIFICATE OF CORRECTION**

PATENT NO. : RE 41,711 E  
APPLICATION NO. : 29/311375  
DATED : September 21, 2010  
INVENTOR(S) : Dumler et al.

Page 1 of 1

It is certified that error appears in the above-identified patent and that said Letters Patent is hereby corrected as shown below:

Title page item (30) Foreign Application Priority Data, the number "000386388-0002" should be changed to --000386388-0004--.

Signed and Sealed this

Thirtieth Day of November, 2010

A handwritten signature in black ink that reads "David J. Kappos". The signature is written in a cursive style with a large, prominent 'D' and 'K'.

David J. Kappos  
*Director of the United States Patent and Trademark Office*