

US00RE41495E

(19) **United States**
(12) **Reissued Patent**
Baker et al.

(10) **Patent Number:** **US RE41,495 E**
(45) **Date of Reissued Patent:** **Aug. 10, 2010**

(54) **METHOD AND APPARATUS FOR MANAGING POWER CONSUMPTION ON A BUS**

4,639,863 A 1/1987 Harrison

(Continued)

(76) Inventors: **William P. Baker**, 4445 Grove St., Denver, CO (US) 80211; **Todd R. Shelton**, 1902 S. 1575 W. Syracuse, Davis County, UT (US) 84075; **Theodore Smith**, 1273 Koradino Dr., Salt Lake County, UT (US) 84095

FOREIGN PATENT DOCUMENTS

DE	41 10 399	A1 *	10/1992
DE	4110399		10/1992
DE	4304506		8/1994
EP	0204299		12/1986
EP	0210497		2/1987
EP	0335490		10/1989
EP	0426414		5/1991
EP	1049325	A2 *	11/2000
EP	1049325		11/2000
FR	2691435		11/1993
GB	2228819		9/1990
GB	2243940		11/1991
JP	62259284		11/1987
JP	1189091		7/1989
JP	06236669		8/1994
JP	2000099217		4/2000
WO	1993/24932		12/1993
WO	1999/06902		2/1999

(21) Appl. No.: **11/809,369**

(22) Filed: **May 31, 2007**

Related U.S. Patent Documents

Reissue of:

(64) Patent No.: **6,901,525**
Issued: **May 31, 2005**
Appl. No.: **09/866,568**
Filed: **May 25, 2001**

(51) **Int. Cl.**
G06F 1/26 (2006.01)

OTHER PUBLICATIONS

(52) **U.S. Cl.** **713/340; 713/300**

(58) **Field of Classification Search** **713/1, 713/300-320, 340**

See application file for complete search history.

“IBM Travelstar E—External Hard Disk Drive Installation and Operation Guide,” IBM Storage Systems Division, San Jose, California, 2000, 10 sheets.

(Continued)

(56) **References Cited**

U.S. PATENT DOCUMENTS

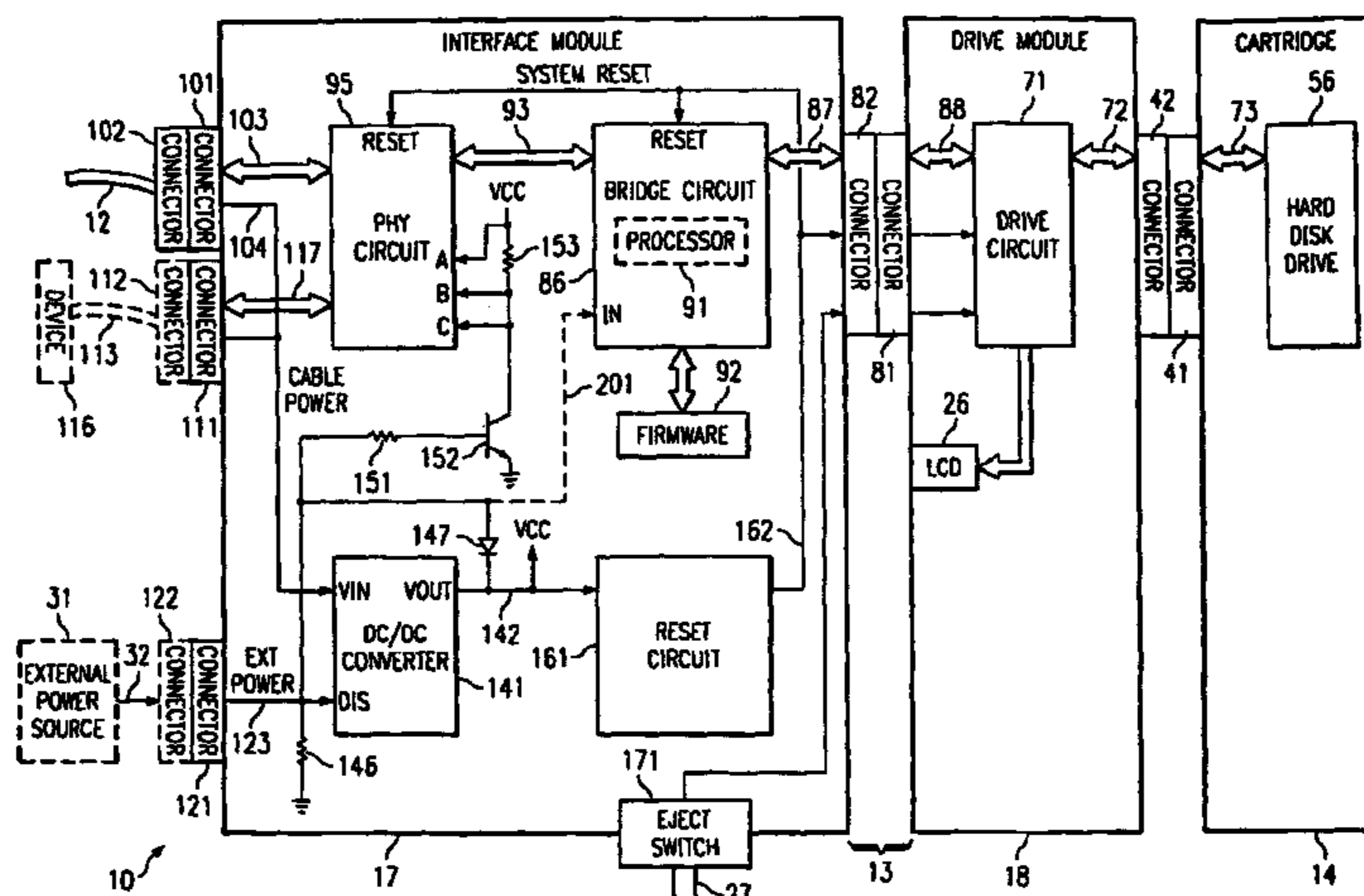
2,278,280	A	3/1942	Pfeiffer et al.
2,896,833	A	7/1959	Markham
3,144,236	A	8/1964	Clanin
3,692,264	A	9/1972	Burkhard et al.
3,695,421	A	10/1972	Wood
4,061,228	A	12/1977	Johnson
4,062,049	A	12/1977	Dirks
4,359,762	A	11/1982	Stollorz
4,414,576	A	11/1983	Randmae
4,507,689	A	3/1985	Kozuki et al.
4,527,262	A	7/1985	Manto
4,550,343	A	10/1985	Nakatani
4,562,500	A	12/1985	Bygdnes
4,622,607	A	11/1986	Smith, II

Primary Examiner—Dennis M Butler

(57) **ABSTRACT**

An information storage device (10) includes a cartridge (14) removably inserted into a cradle (13) that has a drive module (18) releasably coupled to an interface module (17). The interface module can be operatively coupled by a cable (12) to a remote system. Communications through the cable conform to an industry-standard protocol. The storage device can receive power from either the cable or an external power source (31). The interface module can detect a change in the source of its operating power during normal system operation, and ensure that this is reported through the cable.

28 Claims, 2 Drawing Sheets



US RE41,495 E

U.S. PATENT DOCUMENTS							
4,683,520	A	7/1987	Grassens et al.	5,502,604	A	3/1996	Furay
4,688,206	A	8/1987	Nakagawa et al.	5,532,889	A	7/1996	Stefansky et al.
4,705,257	A	11/1987	Leo et al.	5,532,891	A	7/1996	Tsujino
4,709,817	A	12/1987	Keady	5,550,712	A	8/1996	Crockett
4,712,146	A	12/1987	Moon	5,585,986	A	12/1996	Parkin
4,724,500	A	2/1988	Dalziel	5,615,070	A	3/1997	Bordes
4,749,164	A	6/1988	Leo et al.	5,631,788	A	5/1997	Richards
4,754,397	A	6/1988	Varaiya et al.	5,644,454	A	7/1997	Arya et al.
4,763,225	A	8/1988	Frenkel et al.	5,663,855	A	9/1997	Kim et al.
4,769,764	A	9/1988	Levanon	5,715,169	A	2/1998	Noguchi
4,791,511	A	12/1988	Davis	5,724,216	A	3/1998	Iftikar et al.
4,806,106	A	2/1989	Mebane	5,727,170	A	3/1998	Mitchell et al.
4,833,554	A	5/1989	Dalziel et al.	5,734,860	A	3/1998	Kondo
4,853,807	A	8/1989	Trager	5,739,995	A	4/1998	Ohmi et al.
4,856,656	A	8/1989	Sugimoto et al.	5,754,357	A	5/1998	Anderson et al.
4,869,369	A	9/1989	Turngren	5,793,207	A	8/1998	Gill
4,884,261	A	11/1989	Dalziel	5,808,830	A	9/1998	Stefansky
4,893,210	A	1/1990	Mintzloff	5,808,866	A	9/1998	Porter
4,893,263	A	1/1990	Myers	5,809,520	A	9/1998	Edwards et al.
4,896,777	A	1/1990	Lewis	5,812,373	A	9/1998	Hwang
4,908,715	A	3/1990	Krum	5,818,029	A	10/1998	Thomson
4,926,291	A	5/1990	Sarraf	5,831,788	A	11/1998	Hofland
4,937,806	A	6/1990	Babson et al.	5,837,934	A	11/1998	Valavanis et al.
4,965,691	A	10/1990	Iftikar et al.	5,841,605	A	11/1998	Foster et al.
4,974,103	A	11/1990	Iftikar et al.	5,842,027	A	* 11/1998	Oprescu et al. 713/300
5,002,368	A	3/1991	Anglin	5,872,669	A	2/1999	Morehouse et al.
5,004,207	A	4/1991	Ishikawa et al.	5,928,347	A	7/1999	Jones
5,024,328	A	6/1991	Bontrager	5,940,629	A	8/1999	Rikukawa et al.
5,025,335	A	6/1991	Stefansky	5,943,193	A	8/1999	Thayne et al.
5,041,924	A	8/1991	Blackborow et al.	5,943,208	A	8/1999	Kato et al.
5,065,262	A	11/1991	Blackborow	5,949,630	A	9/1999	Yamamoto et al.
5,084,791	A	1/1992	Thanos	5,969,901	A	10/1999	Eckberg et al.
5,126,890	A	6/1992	Wade et al.	5,986,991	A	11/1999	Kawahara et al.
5,128,830	A	7/1992	Deluca et al.	5,995,365	A	11/1999	Broder et al.
5,160,473	A	11/1992	Bontrager	5,999,406	A	12/1999	McKain et al.
5,170,300	A	12/1992	Stefansky	6,021,029	A	2/2000	Mamiya et al.
5,175,657	A	12/1992	Iftikar et al.	6,025,973	A	2/2000	Mizoshita et al.
5,204,794	A	4/1993	Yoshida	6,028,744	A	2/2000	Amirkiaei et al.
5,207,327	A	5/1993	Brondos	6,082,543	A	7/2000	Beliveau
5,208,712	A	5/1993	Hatch et al.	6,088,312	A	7/2000	Utsumi
5,214,550	A	5/1993	Chan	6,119,183	A	9/2000	Briel et al.
5,223,996	A	6/1993	Read et al.	6,128,670	A	10/2000	Hashimoto et al.
5,235,481	A	8/1993	Kamo et al.	6,131,141	A	10/2000	Ravid
5,241,436	A	8/1993	Kawabata	6,144,552	A	11/2000	Whitcher et al.
5,243,485	A	9/1993	Weiley	6,154,330	A	11/2000	Nakagawa
H1245	H	10/1993	Griswold et al.	6,154,360	A	11/2000	Kaczeus, Sr. et al.
5,253,129	A	10/1993	Blackborow et al.	6,166,901	A	12/2000	Gamble et al.
5,258,888	A	11/1993	Korinsky	6,178,514	B1	* 1/2001	Wood 713/300
5,303,101	A	4/1994	Hatch et al.	6,185,069	B1	2/2001	Schick
5,317,464	A	5/1994	Witt et al.	6,201,771	B1	3/2001	Otsuka et al.
5,359,504	A	10/1994	Ohmi et al.	6,230,074	B1	5/2001	Shinkai
5,363,227	A	11/1994	Ichikawa et al.	6,252,744	B1	6/2001	Kelemen
5,363,276	A	11/1994	Crockett	6,259,573	B1	7/2001	Tsuwako et al.
5,372,515	A	12/1994	Miller et al.	6,266,724	B1	7/2001	Harari et al.
5,392,197	A	2/1995	Cuntz et al.	6,285,092	B1	* 9/2001	Kawahara et al. 307/85
5,400,196	A	3/1995	Moser et al.	6,298,016	B1	10/2001	Otsuka
5,400,389	A	3/1995	Niiyama et al.	6,301,087	B1	* 10/2001	Combe
5,402,308	A	3/1995	Koyanagi et al.	6,304,440	B1	* 10/2001	Lin
5,408,383	A	4/1995	Nagasaka et al.	6,320,744	B1	* 11/2001	Sullivan et al.
5,412,522	A	5/1995	Lockhart et al.	6,324,054	B1	* 11/2001	Chee et al.
5,426,562	A	6/1995	Morehouse et al.	6,351,818	B1	* 2/2002	Murai 713/300
5,436,857	A	7/1995	Nelson et al.	6,353,870	B1	* 3/2002	Mills et al.
5,438,162	A	8/1995	Thompson et al.	6,374,315	B1	* 4/2002	Okada et al.
5,444,586	A	8/1995	Iftikar et al.	6,378,028	B2	* 4/2002	Inagawa et al.
5,448,433	A	9/1995	Morehouse	6,386,979	B1	* 5/2002	Ho et al.
5,452,159	A	9/1995	Stefansky	6,388,591	B1	* 5/2002	Ng
5,454,080	A	9/1995	Fasig et al.	6,496,362	B2	12/2002	Osterhout et al.
5,463,527	A	10/1995	Hager et al.	6,496,979	B1	12/2002	Chen et al.
5,477,401	A	12/1995	Squires et al.	6,501,612	B1	12/2002	Kato et al.
5,479,285	A	12/1995	Burke	6,510,485	B1	1/2003	Shin
				6,519,669	B1	2/2003	Yanagisawa

6,564,290	B1	5/2003	Lechner	
6,566,838	B2	5/2003	Maiocchi	
6,570,728	B2	5/2003	Iizuka et al.	
6,574,058	B1	6/2003	Aruga et al.	
6,587,300	B1	7/2003	Dobbek	
6,601,129	B1	7/2003	Arakeri et al.	
6,624,979	B1	9/2003	Wilke	
6,628,474	B1	9/2003	Penman et al.	
6,633,445	B1	10/2003	Wilke	
6,717,762	B1	4/2004	Bauck et al.	
6,779,067	B2	8/2004	Shelton et al.	
6,781,782	B2	8/2004	Rochat et al.	
2002/0042152	A1	4/2002	Yamazaki et al.	
2002/0044416	A1	4/2002	Harmon, III et al.	
2002/0085300	A1	7/2002	Braken et al.	
2002/0157011	A1	10/2002	Thomas, III	
2002/0167756	A1	11/2002	Kunz	
2002/0167882	A1	11/2002	Kunz	
2003/0135681	A1 *	7/2003	Laity et al.	710/303

OTHER PUBLICATIONS

Thomas A. Wilke, "Method and Apparatus for Protecting a Magnetic Head in a Removable Cartridge," U.S. Appl. No. 09/591,081, filed Jun. 9, 2000.

Thomas A. Wilke et al., "Method and Apparatus for Covering a Magnetic Gap," U.S. Appl. No. 09/591,354, filed Jun. 9, 2000.

Thomas A. Wilke et al., "Method and Apparatus for Implementing a Removable Cartridge Containing a Hard Disk," U.S. Appl. No. 09/591,074, filed Jun. 9, 2000.

Allen T. Bracken et al., "Method and Apparatus for Using Hard Drive Electronics with a Removable Cartridge," U.S. Appl. No. 09/591,538, filed Jun. 9, 2000.

Randall C. Bauck, "Method and Apparatus for Tracking Use of a Removable Cartridge," U.S. Appl. No. 09/590,498, filed Jun. 9, 2000.

Thomas A. Wilke, U.S. Appl. No. 09/590,508, filed Jun. 9, 2000.*

Thomas A. Wilke, Marvin R. DeForest, Dennis D. Ogden, U.S. Appl. No. 09/591,538, filed Jun. 9, 2000.*

Jeffery D. Penman, Todd R. Shelton, U.S. Appl. No. 09/590,509, filed Jun. 9, 2000.*

Randall C. Bauck, Allen T. Bracken, Thomas A. Wilke, David S. Greenhalgh, U.S. Appl. No. 09/590,511, filed Jun. 9, 2000.*

Daniel D. Rochat, Mark L. Reimann, Allen T. Bracken, U.S. Appl. No. 09/746,304, filed Dec. 21, 2000.*

Allen T. Bracken, Theodore J. Smith, Jeffrey D. Penman, Todd R. Shelton, David S. Greenhalgh, Paul E. Jacobs, Spencer W. Stout, Paul C. Kunz, Scott P. Thomas, Douglas S. Reynolds, David L. Jolley, Ryan D. Osterhout, U.S. Appl. No. 09/755,961, filed Jan. 4, 2001.*

Paul C. Kunz, U.S. Appl. No. 09/854,354, filed May 11, 2001.*

Paul C. Kunz, Ryan D. Osterhout, Theodore J. Smith, Spencer W. Stout, Scott P. Thomas, U.S. Appl. No. 09/854,391, filed May 11, 2001.*

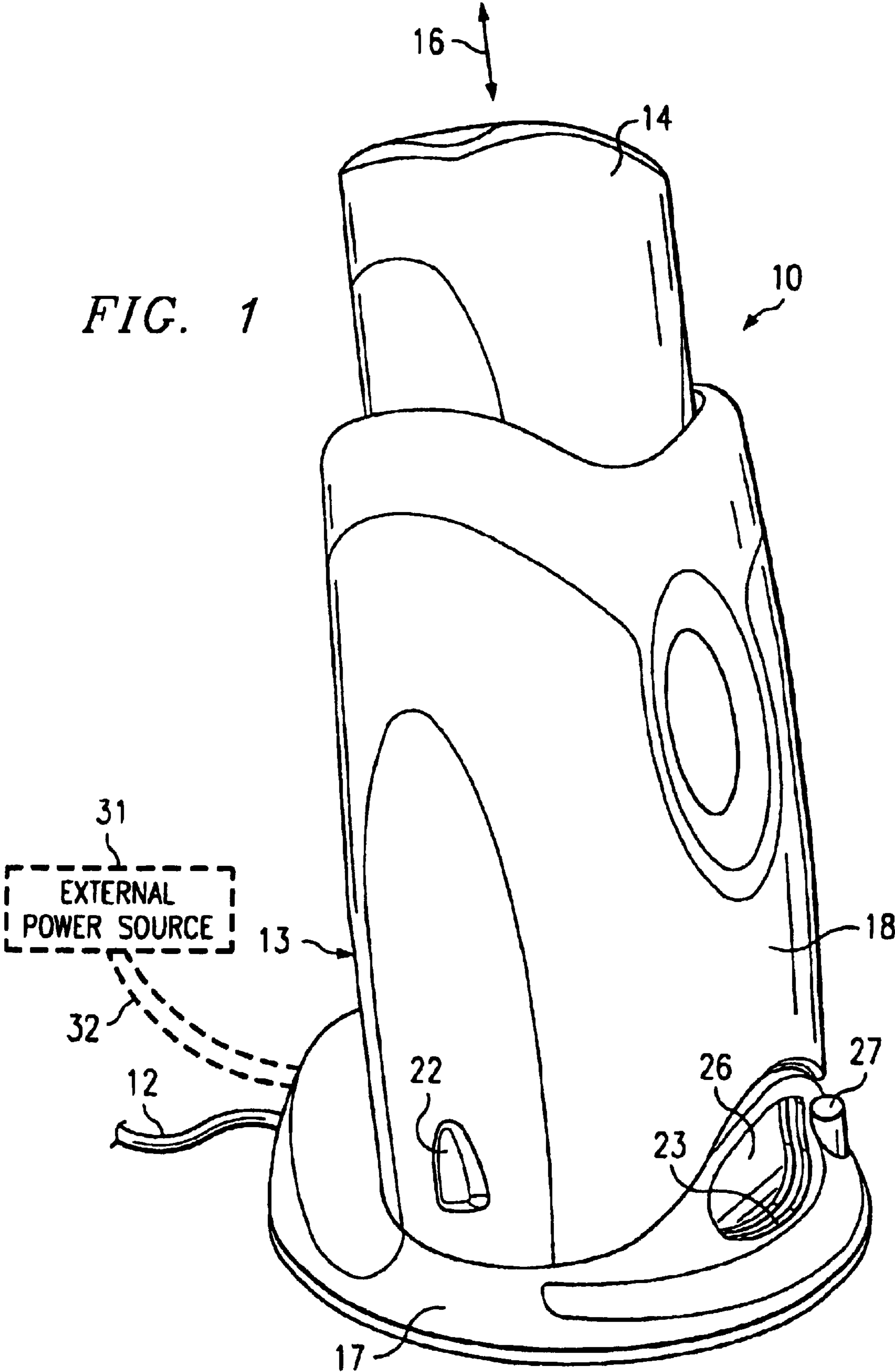
Fred C. Thomas III, U.S. Appl. No. 09/839,515, filed Apr. 20, 2001.*

Ryan D. Osterhout, Scott P. Thomas, Paul C. Kunz, Allen T. Bracken, U.S. Appl. No. 09/858,073, filed May 14, 2001.*

Todd R. Shelton, Theodore J. Smith, Marvin R. DeForest, Kelly D. Wright, Mark L. Reimann, Hiromichi (nmi) Oribe, Jeffrey D. Penman, U.S. Appl. No. 09/855,993, filed May 14, 2001.*

* cited by examiner

FIG. 1



METHOD AND APPARATUS FOR MANAGING POWER CONSUMPTION ON A BUS

Matter enclosed in heavy brackets [] appears in the original patent but forms no part of this reissue specification; matter printed in italics indicates the additions made by reissue.

CROSS-REFERENCE OF RELATED APPLICATION

This application is a reissue of U.S. patent application Ser. No. 09/866,568, filed on May 25, 2001, issued on May 31, 2005 as U.S. Pat. No. 6,901,525.

TECHNICAL FIELD OF THE INVENTION

This invention relates in general to devices which communicate through a bus, and more particularly, to techniques by which such devices report through the bus the extent to which they provide power to or draw power from the bus.

BACKGROUND OF THE INVENTION

Various industry-standard protocols have been developed to facilitate communication between computers and peripherals. In most of these arrangements, multiple devices are coupled to and communicate through some form of bus, which may be one central bus to which all items are coupled, multiple bus sections coupled in a daisy-chain configuration, or some other arrangement. Some of these standards permit a device to draw some or all of its operating power from the bus under certain conditions.

One example is the IEEE 1394 communication protocol, promulgated by the Institute of Electrical and Electronic Engineers. This standard categorizes devices according to the manner in which they handle operating power. In this regard, some devices generate all of their own operating power, plus some excess power which they supply to the bus. Other devices generate their own operating power, but do not supply any excess power to the bus. Still other devices draw some or all of their operating power from the bus.

With respect to this latter type of device, the IEEE 1394 standard permits each such device to draw up to 3 watts of operating power from the bus. If the device needs additional operating power, it must first submit a request for additional power across the bus while drawing no more than 3 watts, and must specify how much additional power it wants. A bus master which manages the bus will then determine if there are other devices on the bus that are generating sufficient excess power to meet the need of the requesting device. If so, then the requesting device will be granted authorization to draw that additional power from the bus. Otherwise, the requesting device will be denied authorization to draw additional power from the bus, and will typically not become fully operational.

When each device is powered up, or when a reset occurs on the bus, the device reports to the bus master which of several categories it falls in with respect to use of bus power, so that the bus master knows whether some devices are supplying excess power to the bus which other devices can be authorized to utilize, and knows the extent to which some devices are drawing the excess power from the bus. In this regard, each device typically knows it is permanently allocated to a single predetermined power utilization category, reflecting how it was designed to operate.

While existing approaches of this type have been generally adequate for their intended purposes, they have not been

satisfactory in all respects. As one example, and as noted above, if a device requests additional power from the bus but it is not available, the device will typically not become fully operational. This can annoy the user, and create dissatisfaction with the manufacturer of the device.

SUMMARY OF THE INVENTION

From the foregoing, it may be appreciated that a need has arisen for a method and apparatus which facilitate operation of a device that is capable of drawing its operational power from a bus. According to the present invention, a method and apparatus are provided to address this need, and relate to operation of a device having a first coupling section which can detachably couple the device to a bus that includes a power line, having a second coupling section which can detachably couple the device to a source of power, and having circuitry couple to each of the first and second coupling sections. The method and apparatus involve: operating the circuitry in a selected one of a plurality of modes, including a first mode in which the circuitry draws operating power from the power line through the first coupling section when no power is being received through the second coupling section, and a second mode in which the circuitry draws power through the second coupling section when a power source is supplying power to the second coupling section; automatically determining which of the first and second modes the circuitry is currently operating in; and automatically reporting through the first coupling section which of the first and second modes the circuitry is currently operating in.

BRIEF DESCRIPTION OF THE DRAWINGS

A better understanding of the present invention will be realized from the detailed description which follows, taken in conjunction with the accompanying drawings, in which:

FIG. 1 is a diagrammatic perspective view of an information storage device which embodies aspects of the present invention; and

FIG. 2 is a block diagram of the information storage device of FIG. 1, showing selected internal components of the information storage device.

DETAILED DESCRIPTION OF THE INVENTION

FIG. 1 is a diagrammatic perspective view of an information storage device **10** which embodies aspects of the present invention, and which can be coupled by a cable **12** to a not-illustrated computer system of a known type. The information storage device **10** includes a receiving unit or cradle **13**, and includes an information storage cartridge **14** which is removably inserted into the cradle **13**. The cartridge **14** is inserted into and removed from the cradle **13** in directions which are approximately vertical, as indicated by a double-headed arrow **16** in FIG. 1. In the disclosed embodiment, communications through the cable **12** are carried out according to a industry-standard protocol commonly known as IEEE 1394, which was promulgated by the Institute of Electrical and Electronic Engineers, and which is often referred to by the alternative name of "FireWire".

The cradle **13** includes a base or interface module **17**, and a drive module **18**. The interface module **17** and drive module **18** are physically separate modules, and are releasably coupled to each other by a not-illustrated coupling mechanism. Details of the coupling mechanism are not needed in order to understand the present invention, and the coupling mechanism is therefore not illustrated and described here in

detail. Two manually operable release buttons are provided on opposite sides of the drive module **18**, and one of these two buttons is visible at **22** in FIG. **1**. When the two release buttons **22** are simultaneously manually pressed, the detachable coupling between the drive module **18** and the interface module **17** is released, so that these modules can be separated.

The interface module **17** has a window **23** provided through a front wall portion thereof. A liquid crystal display (LCD) **26** is provided on the drive module **18**, and is visible through the window **23** of the interface module **17** when these two modules are releasably coupled together. A manually operable eject button **27** is provided on the interface module **17**. When the eject button **27** is manually pressed downwardly, the interface module **17** sends the drive module **18** an electrical signal, and this signal causes the drive module **18** to release a locking or latching mechanism that releasably holds the cartridge **14** in place, and to then effect a partial ejection of the cartridge **14**. Details of this mechanism are not needed in order to understand the present invention, and this mechanism is therefore not illustrated and described in detail.

The device **10** is capable of operating in two different modes. In one mode, the device **10** draws its operating power from the IEEE 1394 bus which extends through the cable **12**. In the second mode, an external power source **31** of a known type is coupled through a cable **32** to the device **10**. When the external power source **31** is coupled to the device **10** through the cable **32**, the device **10** draws all of its operating power from the external power source **31**, and draws little or no operating power from the bus in cable **12**.

With respect to the first mode of operation, in which the device **10** draws power from the bus, the industry-standard specification for the IEEE 1394 protocol specifies that any device coupled to the bus may unconditionally draw a limited amount of operating power from the bus in cable **12**, which should not exceed 3 watts. If a device wants to draw more power from the bus, it must send a request to do so through the cable **12**, using no more than the allowable 3 watts to make the request. The request must specify the amount of additional power that the device is seeking, indicating either that it wants up to 3 additional watts of power, or up to 7 additional watts of power. In the disclosed embodiment, the device **10** is designed to submit such a request, to seek permission to draw an additional 7 watts from the bus, or in other words a total 10 watts.

The decision of whether to grant authorization to a device to draw additional power is made on the basis of how many devices are currently coupled to the bus, and the extent to which unused power is or is not currently available on the bus. If sufficient unused power is currently available, then the requesting device will be sent a "LinkOn" command through the cable **12**, according to the industry-standard protocol. In response to the LinkOn command, the device will begin drawing additional power from the bus. If excess power is not available, the LinkOn command will not be transmitted to the device. The device will therefore not draw the extra power it wants from the bus, therefore will not enter a fully operationable status, and thus will usually and attempt further interaction with the bus.

In order to facilitate evaluation of how much excess power is available on the bus at any given point in time, each device is required to report how it interacts with the bus with respect to the use of power. In this regard, according to the industry-standard specification, each device coupled to the IEEE 1394 bus is required to report the manner in which it uses

bus power when it is first powered up, when the IEEE 1394 bus is subjected to a reset, and/or when it detects that it has been coupled to the bus.

Some devices generate all of the power that they need for their own operation, and also generate some excess power which they supply to the bus, for example in quantities of at least 15 watts, at least 30 watts, or at least 45 watts. Other devices generate the power that they need for their own operation, but do not supply any excess power to the bus. Still other devices, as discussed above, draw some or all of their operating power from the bus, in amounts of 3 watts or less, 6 watts or less, or 10 watts or less. As noted above, these latter devices are each permitted to initially draw only 3 watts from the bus, but must request and then be granted authorization to draw a specified amount of additional power from the bus. According to the industry-standard specification, these various types of devices are classified into seven or eight categories, which are set forth in Table 1.

TABLE 1

IEEE 1394 POWER UTILIZATION CATEGORIES		
Category	Binary Code	Description
0	000	Device does not need power and does not repeat power.
1	001	Device is self-powered and provides a minimum of 15 W to the bus.
2	010	Device is self-powered and provides a minimum of 30 W to the bus.
3	011	Device is self-powered and provides a minimum of 45 W to the bus.
4	100	Device may be powered by the bus, using no more than 3 W. No additional power is needed to enable the link.
5	101	Reserved for future standardization.
6	110	Device is powered from the bus, and using no more than 3 W. An additional 3 W is needed to enable the link.
7	111	Device is powered from the bus, and using no more than 3 W. An additional 7 W is needed to enable the link.

From the foregoing discussion, it should be evident that the disclosed device **10** of FIG. **1** operates in category 7 (binary code 111) if the external power source **31** is not present, and operates in category 4 (100) if the external power source **31** is present. As discussed above, devices are required to report how they interact with the bus in regard to power use, and they make this report by sending a packet which includes the appropriate binary code from Table 1. A report which includes either of the binary codes "110" and "111" also inherently constitutes a request for permission to draw additional power from the bus.

FIG. **2** is a block diagram of the information storage device of FIG. **1**, showing selected internal components. FIG. **2** is not intended to show all of the internal components of the device **10**, but only components that help to convey an understanding of the present invention. As shown in FIG. **2**, the cartridge **14** has a connector **41**, and the drive module **18** has a connector **42** which releasably engages the connector **41** when the cartridge **14** is removably disposed in the drive module **18**. The cartridge **14** contains a hard disk drive mechanism **56**. The internal structure of the hard disk drive mechanism is known, and detailed information about that internal structure is not needed in order to understand the present invention. Accordingly, the internal structure of the hard disk drive mechanism **56** is not illustrated in the drawings, and is only briefly discussed here for purposes of completeness.

5

In particular, the hard disk mechanism **56** includes a sealed housing, and includes within the sealed housing a data storage medium in the form of a rotatable hard disk having a magnetic material on one side thereof, and a spin motor which can effect rotation of the hard disk. The hard disk drive mechanism **56** also includes within the sealed housing an actuator arm supported for pivotal movement, a read/write head supported at one end of the actuator arm for movement adjacent and approximately radially of the magnetic surface on the disk in response to pivotal movement of the arm, and a voice coil motor (VCM) which effects pivotal movement of the actuator arm in response to electrical signals.

The drive module **18** includes a drive circuit **71**, which is coupled to the hard disk drive mechanism **56** through a bus that includes portions **72** and **73** respectively disposed in the drive module and the cartridge. The connectors **41** and **42** electrically couple the portions **72** and **73** of the bus when the connectors are matingly engaged. The drive circuit **71** controls the LCD **26**. The drive circuit **71** has internal structure of a known type, and detailed information about that internal structure is not needed in order to understand the present invention. Accordingly, the internal structure of the drive circuit **71** is not illustrated and described here in detail.

The drive module **18** has a connector **81**, and the interface module **17** has a connector **82** which releasably engages the connector **81** when the drive module **18** is releasably coupled to the drive module **17** in the configuration shown in FIG. 1. The interface module **17** includes a bridge circuit **86**, which is coupled to the drive circuit **71** in the drive module **18** by an AT Attachment (ATA) bus that has portions **87** and **88**. When the connectors **81** and **82** are matingly engaged, they electrically couple the bus portion **87** to the bus portion **88**. The ATA bus **87-88** conforms to an industry-standard specification, which is well known to those skilled in the art.

In the disclosed embodiment, the bridge circuit **86** is an integrated circuit which is commercially available as part number TSB42AA9 from Texas Instruments Incorporated of Dallas, Tex. The bridge circuit **86** includes a processor **91**, which executes a firmware program that is stored in a read only memory (ROM) **92**. The bridge circuit **86** is coupled through a bus **93** to a circuit **95**, which is commonly referred to in the industry as a PHY circuit. In the disclosed embodiment, the PHY circuit **95** is an integrated circuit commercially available as part number TSB41AB2 from Texas Instruments Incorporated.

The interface module **17** has a connector **101**, which can matingly engage a connector **102** provided at the end of the cable **12**, so that the cable **12** can be selectively disengaged from the interface module **17** by separating the connectors **101** and **102**. When the connectors **101** and **102** are engaged, a subset of the lines within the cable **12** are coupled through the connectors **101-102** and a bus **103** to the PHY circuit **95**. A further line within the cable **12**, which carries operating power, is coupled through the connectors **101-102** to a cable power line **104** disposed within the interface module **17**.

The interface module **17** includes a further connector **111**. The connector **111** can be matingly engaged by a connector **112** provided at the end of a cable **113**, the other end of the cable **113** being coupled to a device **116**. The device **116**, the cable **113** and connector **112** are optional, and are therefore shown in broken lines in FIG. 2. Communications through the cable **113** are effected according to the IEEE 1394 protocol. When the device **116** is present, a subset of the lines within the cable **113** are coupled through a bus **117** to the PHY circuit **95**. A further line within the cable **113** is

6

coupled to the cable power line **104** in the interface module **17**. The PHY circuit **95** operatively couples the device **116** to the IEEE 1394 bus within the cable **12**. Thus, when the device **116** is present, it is effectively daisy-chained to the device **10**, which in turn is daisy-chained through the cable **12** to some other device on the IEEE 1394 bus.

The interface module **17** has a further connector **121**, which can matingly engage a connector **122** provided at the end of the cable **32** for the external power source **31**. When the connectors **121** and **122** are matingly engaged, direct current (DC) power is supplied through a line in the cable **32** to an external power line **123** located within the interface module **17**.

A DC-TO-DC converter circuit **141** is provided within the interface module **17**, and in the disclosed embodiment is a component commercially available as part number LM2672 from National Semiconductor of Santa Clara, Calif. In the interface module **17**, the DC-TO-DC converter circuit **141** serves as a voltage regulator, and receives an input voltage from the cable power line **104**. The output of the converter circuit **141** is coupled to a line **142**, which provides operating power (VCC) to other components within the information storage device **10**.

The external power line **123** is coupled to a disable input of the converter circuit **141**, is also coupled to ground through a resistor **146**, and is coupled to the anode of a diode **147**. The cathode of the diode **147** is coupled to the VCC line **142**. The external power line **123** is also coupled through a further resistor **151** to the base of a bipolar junction transistor **152**, the emitter of which is coupled to the ground. The collector of the transistor **152** is coupled through a resistor **153** to the DC operational voltage VCC.

The PHY circuit **95** has three inputs A, B and C. In pre-existing systems, these three inputs are each permanently hardwired to a logic high or a logic low. In the disclosed embodiment of FIG. 2, however, the input A is coupled to operating power VCC, but the inputs B and C are each coupled to the collector of transistor **152**. The inputs A, B and C permit a three-bit binary code to be introduced into the PHY circuit **95**, where input A is the most significant bit, and input C is the least significant bit. This three-bit binary code corresponds to the middle column of Table 1, as discussed later.

A reset circuit **161** of a known type has an input which is coupled to and monitors the VCC line **142**, and has an output coupled to reset inputs of the PHY circuit **95** and the bridge circuit **86**. The output of the reset circuit **161** is also coupled through the connectors **81** and **82** to the drive circuit **71**. When the voltage on line **142** is below a predetermined threshold level, the reset circuit **161** applies a reset signal through its output **162** to each of the components coupled to the line **162**. Thus, at power up, the reset circuit **161** outputs the reset signal on line **162** until operating power on the VCC line **142** is above the threshold level, and then terminates the reset signal on line **162** so that components within the information storage device **10** can commence normal operation. If operating power on VCC line **142** should happen to drop below the threshold level during normal operation, the reset circuit **161** will detect this and generate a system reset on line **162**, in order to reset each device coupled to line **162** and thereby prevent operational errors until operating power on line **142** is again above the threshold level, at which time the system reset signal is terminated.

The interface module **17** includes an eject switch **171**, which is operated by the eject button **27**. The eject switch **171** has an output which is coupled to the drive circuit **71** through the connectors **81-82**.

The operation of the system **10**, and in particular the interface module **17**, will now be briefly discussed. Assume that the external power source **31** is not currently present, or in other words that connector **122** is not engaged with connector **121**. The resistor **146** and resistor **151** form a voltage divider which hold the external power line **123** at a voltage which is low enough to enable the converter circuit **141**. Consequently, power received through cable **12** (and also possibly cable **13**) is supplied through the cable power line **104** to the main input of the converter circuit **141**. The converter circuit **141** processes and regulates this DC voltage, and produces the DC operating power VCC at its output on line **142**.

The reset circuit **162** will initially be keeping appropriate components within the information storage device **10** in a reset mode. But once the operating voltage VCC on line **142** exceeds a predetermined threshold, the reset circuit **161** will terminate the reset signal on its output line **162**, thereby permitting the device **10** to commence normal operation.

After the reset signal has been removed from the PHY circuit **95**, the PHY circuit reads the three-bit binary word present at its inputs A, B and C. Since input A is coupled to VCC, it will always be a logic 1. When the external power source **31** is not present or is not active, the external power source **31** will not be applying any voltage to line **123**. Thus, the resistor **153**, the base-collector junction of transistor **152**, and the resistors **152** and **146** will form a voltage divider which causes the disable input of the converter circuit **141** to be coupled through a low impedance to ground. Consequently, the converter circuit **141** will be enabled, and will be produce regulated DC operating power at its output on the VCC line **142**.

The voltage on line **123** will be lower than the voltage on line **142**. As a result, no current will be passing through the diode **147**. Due to the diode **147**, no base current will be flowing into transistor **152**, and thus transistor **152** will be off. Consequently, there will be little or no current flowing through the resistor **153**, and the voltage across it will be approximately zero volts. Thus, each of the three inputs A, B and C of the PHY circuit **95** will be receiving a logic 1, representing the binary code "111". As discussed above, this corresponds to category 7 in TABLE 1.

Shortly after the reset circuit **161** ends the power-on system reset on line **162**, the circuitry within the PHY circuit **95** will read the three-bit code from its inputs A, B and C, and then report this code through the bus **12** to a bus master at a remote location, in accord with the IEEE 1394 protocol. This binary code indicates that the information storage device **10** of FIG. 2 is drawing power from the IEEE 1394 bus in an amount of 3 watts or less, but wishes to draw up to 7 additional watts from the bus. If the bus master determines that there is sufficient excess power for the information storage device **10** to receive the 7 additional watts requested, then the bus master will send through the cable **12** a LinkOn command, in response to which the information storage device **10** will begin drawing more power from the bus **12**, and will commence normal operation. Thereafter, the PHY circuit **95** ignores the inputs A, B and C during normal operations.

On the other hand, if the bus master determines that there is not enough excess power for the information storage device **10** to receive the 7 additional watts is requested, then the device **10** might be precluded from operating if it had to rely on power from the IEEE 1394 bus. However, it will be recognized that the present invention allows a user to elect to attach the external power source **31** to the device **10** and thus

make the device **10** operational even though there is not currently enough excess power on the bus to meet the needs of the device.

Assume now that the connector **122** is manually coupled to the connector **121**, in order to couple the external power source **31** to the interface module **17**. The external power source **31** will thus be supplying external power to the line **123** in the form of a DC voltage. The application of this DC voltage to the disable input of the converter circuit **141** will disable the circuit **141**, so that it ignores the power available on the cable power line **104** from the cable **12** and/or the cable **113**.

The voltage present on line **123** will be high enough so that current can flow through the diode **147** and establish the appropriate operating voltage on VCC line **142**. Further, the voltage on line **123** acts through resistor **151** to produce at the base of transistor **152** a voltage sufficient to turn on the transistor **152**. Consequently, current will flow through the resistor **153**, creating a voltage across the resistor which causes the inputs B and C of the PHY circuit **95** to each appear to the PHY circuit to be a logic low. Therefore, the binary code "100" will be present and waiting at inputs A, B and C of the PHY circuit **95**.

When the reset circuit detects that the operating power VCC on line **142** is above the required threshold, it terminates the reset signal on line **162**, and then the PHY circuit **95** will in due course read the three-bit category code "100" which is waiting at its inputs A, B and C. The PHY circuit then automatically forwards this binary code through the cable **12** to a bus master, as discussed above. This code corresponds to category 4 in Table 1. Thereafter, normal operation of the information storage device **10** commences, and the PHY circuit **95** ignores its inputs A, B and C during normal operation.

Assume that, while the information storage device **10** is operating as a category 4 device under power from the external power source **31**, a user inadvertently or intentionally disengages the connector **122** from the connector **121**. The loss of external power on line **123** will enable the converter circuit **141**, so that it takes power from cable power line **104**, and in due course begins producing operating power on the VCC line **142**. However, it takes a short but finite time interval for the converter circuit **141** to transition from its disabled state to its enable state, which in the disclosed embodiment is approximately 100 milliseconds.

During this time interval, the power which the reset circuit **161** receives on line **142** from the external power line **123** through the diode **147** will drop somewhat, to a level below the threshold. This will cause the reset circuit **162** to output onto line **162** a system reset. Once the converter circuit **141** has completed the transition from its disabled state to its enabled state, it will be producing power on the VCC line **142** which is above the threshold and which thus causes the reset circuit **161** to terminate the system reset signal that it generated. Consequently, the information storage device **10** will again commence the initialization process that leads to normal operation.

As part of this, the PHY circuit **95** will read its inputs A, B and C, and forward this three-bit binary word to the remote bus master. At this time, the three-bit binary word will be the code "111" indicating that the device **10** is now operating as a category 7 device drawing 3 watts or less from the IEEE 1394 bus, but wants to draw up to 7 watts of additional power from the bus. In this manner, due to the reset from reset circuit **161**, the interface storage device **10** will again log onto the IEEE 1394 bus, in a manner similar to that

described above for the case where power is turned on. If the bus master determines that there is sufficient excess power available on the bus to meet the request of the device 10, the bus master will send a LinkOn command that authorizes the information storage device 10 to begin drawing additional power through the cable 12. Thus, in the event that power from the external power source 31 is lost in the middle of normal system operation, a smooth transition will occur from operation on power from the source 31 to operation on power from the cable 12, in conjunction with reporting across the bus that the system is now operating in category 7 rather than category 4.

The foregoing discussion of FIG. 2 is directed to one embodiment of the present invention. Still referring to FIG. 2, an alternative embodiment is almost the same, except that the external power line 123 has an additional section represented by broken line 201, which extends to an input of the bridge circuit 86. It will be recognized that, in this alternative embodiment, the bridge circuit can sense the state of the external power line 123, and thus determine whether or not the device 10 is currently receiving power from the external power source 31. The bridge circuit periodically polls the state of the line 123 (through the portion 201 thereof). In the disclosed embodiment, the bridge circuit has an interrupt input driven by a crystal oscillator so as to produce interrupts at periodic intervals such as every 10 milliseconds, in order to facilitate timekeeping functions within the program executed by the bridge circuit. The line 123 is polled by the interrupt service routine each time the oscillator interrupt occurs.

One other difference, not visible in FIG. 2, is that the threshold of the reset circuit 161 is set to be somewhat lower. As a result, when the external power source 31 is disengaged from the device 10 while the device 10 is carrying out normal operation as a category 4 device, the reset circuit 161 will not generate a reset during the time required for the converter circuit to 141 to transition from its disabled state to its enabled state.

In this alternative embodiment, operation at power up is effected in substantially the same manner already discussed above. On the other hand, when the connectors 121 and 122 are engaged or disengaged during normal operation of the device 10, the sequence of events is somewhat different.

In this regard, assume that the information storage device 10 is currently operating on power from the external power source 31. Assume also that the connectors 121 and 122 are suddenly disengaged, either independently or intentionally. This will cause the voltage on line 123 to drop, such that in due course the bridge circuit 86 will poll this line and determine that it has changed from a logic high to a logic low. This change tells the bridge circuit that the device 10 is no longer receiving operating power from the external power source 31. The bridge circuit 86 responds by instructing the PHY circuit 95 to effect a reset operation onto the IEEE 1394 bus, and this reset operation will in turn force all devices on the bus, including the device 10, to pursue essentially the same techniques used to gain access to the bus at power up, and to report the power consumption category in which they are operating.

It will be recognized that, at this time, the inputs A, B and C to the PHY circuit 95 will be carrying the three-bit binary code 111, causing the PHY circuit to advise the bus master that the information storage device 10 is currently operating in category 7, or in other words using 3 watts from cable power line 104 while requesting permission to draw additional power. This request is authorized where possible, in the manner already described above.

As a different scenario, assume that the information storage device 10 is operating under power from the IEEE 1394 interface on bus 12, and that a user intentionally engages the connector 122 with the connector 121, in order to couple the external lower source 31 to the information storage device 10. The power source 31 will promptly provide DC power to line 123 and, through diode 147, to VCC line 142. The voltage on line 123 will disable the converter circuit 141, so that very shortly thereafter it stops trying to supply power to line 142. Since line 123 (including portion 201 thereof) will have transitioned from a logic low voltage to a logic high voltage, the bridge circuit 86 will detect this change the next time it polls the input coupled to line 123, and will then cause the PHY circuit 95 to effect a reset of the IEEE 1394 bus. As before, this reset causes the PHY circuit 95 to read its three inputs A, B and C in the same manner discussed above in association with a power-up condition, and to use this three-bit code, which is a binary 100, to report to the bus master its current power status, which is category 4.

The present invention provides a number of technical advantages. One such technical advantage is that, in the context of an IEEE 1394 environment, a device can be selectively operated in either of two modes, where power is respectively obtained from either the IEEE 1394 bus or an external power source. According to a related advantage, the device can automatically determine at power-up its current source of operating power, and then report this information to a remote bus master which manages the bus.

According to another advantage, the device can automatically handle disconnection of the external power source during system operation, including reporting to the bus master of the change in its power consumption category. A similar advantage is that the device can automatically handle connection of the external power source during system operation, including reporting to the bus master of the change in its power consumption category.

According to another advantage, the device includes a processor which has the capability to monitor at least one source of operating power and automatically detect any change in the source of operating power, and then ensure that the change in its source of operating power is reported to the bus master. According to a related advantage, the processor can cause the reporting to occur by initiating a reset operation on the IEEE 1394 bus.

Although two embodiments have been illustrated and described in detail, it will be understood that various substitutions and alterations can be made therein without departing from the spirit and scope of the present invention, as defined by the following claims.

What is claimed is:

1. An apparatus comprising a device that includes:
 - a first coupling section which can detachably couple said device to a bus that includes a power line;
 - a second coupling section which can detachably couple said device to a source of power;
 - circuitry coupled to each of said first and second coupling sections, said circuitry operating in a first mode in which said circuitry draws operating power from the power line through said first coupling section when no power is being received through said second coupling section, operating in a second mode in which said circuitry draws power through said second coupling section when a power source is supplying power to said second coupling section, automatically determining which of said first and second modes said circuitry is operating in, and automatically reporting through said

11

first coupling section which of said first and second modes said circuitry is currently operating in;
 wherein said circuitry automatically switches from said first mode to said second mode when a power supply begins supplying power through said second coupling section during operation of said circuitry in said first mode, and automatically reports through said first coupling section that said circuitry is now [operation] *operating* in said second mode; and
 wherein said circuitry includes a processor which monitors whether power from a power supply is present at said second coupling section, and which causes a reset of said bus upon detecting that a power supply has just started supplying power through said second coupling section.

2. The apparatus according to claim 1, wherein said bus conforms to the IEEE 1394 protocol.

3. An apparatus comprising a device that includes:
 a first coupling section which can detachably couple said device to a bus that includes a power line;
 a second coupling section which can detachably couple said device to a source of power;
 circuitry coupled to each of said first and second coupling sections, said circuitry operating in a first mode in which said circuitry draws operating power from the power line through said first coupling section when no power is being received through said second coupling section, operating in a second mode in which said circuitry draws power through said second coupling section when a power source is supplying power to said second coupling section, automatically determining which of said first and second modes said circuitry is operating in, and automatically reporting through said first coupling section which of said first and second modes said circuitry is currently operating in;
 wherein said circuitry automatically switches from said second mode to said first mode when a power supply stops supplying power through said second coupling section during operation of said circuitry in said second mode, and automatically reports through said first coupling section that said circuitry is now operating in said first mode; and
 wherein said circuitry includes a processor which monitors whether power from a power supply is present at said second coupling section, and which causes a reset of said bus upon detecting that a power supply has just stopped supplying power through said second coupling section.

4. The apparatus according to claim 3, wherein said bus conforms to the IEEE 1394 protocol.

5. A method of operating a device having a first coupling section which can detachably couple said device to a bus that includes a power line, having second coupling section which can detachably couple said device to a source of power, and circuitry coupled to each of said first and second coupling sections, comprising the steps of;
 operating said circuitry in a selected one of a plurality of modes, including a first mode in which said circuitry draws operating power from the power line through said first coupling section when no power is being received through said second coupling section, and a second mode in which said circuitry draws power through said second coupling section when a power source is supplying power to said second coupling section;
 automatically determining which of said first and second modes said circuitry is currently operating in;

12

automatically reporting through said first coupling section which of said first and second modes said circuitry is currently operating in,
 automatically switching from said first mode to said second mode when a power supply begins supplying power through said second coupling section during operation in said first mode;
 automatically reporting through said first coupling section that operation is now occurring in said second mode; and
 monitoring whether power from a power supply is present at said second coupling section, and forcing a reset of said bus upon detecting that power supply has just started supplying power through said second coupling section.

6. The method according to claim 5, including the step of configuring said bus to conform to the IEEE 1394 protocol.

7. A method of operating a device having a first coupling section which can detachably couple said device to a bus that includes a power line, having a second coupling section which can detachably couple said device to a source of power, and circuitry coupled to each of said first and second coupling sections, comprising the steps of;
 operating said circuitry in a selected one of a plurality of modes, including a first mode in which said circuitry draws operating power from the power line through said first coupling section when no power is being received through said second coupling section, and a second mode in which said circuitry draws power through said second coupling section when a power source is supplying power to said second coupling section;
 automatically determining which of said first and second modes said circuitry is currently operating in;
 automatically reporting through said first coupling section which of said first and second modes said circuitry is currently operating in;
 automatically switching from said second mode to said first mode when a power supply stops supplying power through said second coupling section during operation of said circuitry in said second mode;
 automatically reporting through said first coupling section that that operation is now occurring in said first mode; and
 monitoring whether power from a power supply is present at said second coupling section, and forcing a reset of said bus upon detecting that a power supply has just stopped supplying power to said second coupling section.

8. The method according to claim 7, including the step of configuring said bus to conform to the IEEE 1394 protocol.

9. A method of operating a device having a first coupling section that can detachably couple said device to a communication bus that includes a first power line, and having a second coupling section for coupling said device to a second power line, the method comprising:
 monitoring the presence of operating power on said second power line and responsively:
 (i) operating said device by drawing operating power from said first power line if power is not present on said second power line, and,
 (ii) operating said device by drawing operating power from said second power line if power is present on said second power line;
 while drawing operating power from said first power line, automatically switching said device to draw operating

13

power from said power line if said monitoring indicates that second power line has started supplying power; and

generating a reset signal to initiate the transmission of a reporting message on the bus indicating that additional power is not required from said first power line.

10. The method of claim 9 wherein said monitoring is performed by a processor running a program stored in memory.

11. The method of claim 10 wherein the processor senses the presence of operating power on said second power line using an interrupt routine.

12. The method of claim 9 wherein the monitoring is performed by a voltage converter having a disable input connected to said second power line.

13. The method of claim 9 wherein said monitoring is performed by a reset circuit.

14. The method of claim 13 wherein the reset circuit detects a voltage drop from a voltage converter upon the application of power to the second power line.

15. The method of claim 13 wherein the reset circuit causes the device to commence normal operation after sufficient operating power is established.

16. A method of operating a device having a first coupling section that can detachably couple said device to a communication bus that includes a first power line, and having a second coupling section for coupling said device to a second power line, comprising:

monitoring said second power line for the presence of operating power and responsively:

(i) operating said device by drawing operating power from said first power line if power is not present on said second power line, and,

(ii) operating said device by drawing power from said second power line if power is present on said second power line;

automatically switching said device to draw operating power from said first power line if said monitoring indicates that power is no longer present on said second power line; and,

generating a reset signal to initiate the transmission of a reporting message on the bus, wherein the reporting message includes an indication that additional power is required from said first power line.

17. The method of claim 16 wherein said monitoring is performed by a processor running a program stored in memory.

18. The method of claim 17 wherein the processor senses the presence of operating power on the second power line using an interrupt routine.

19. The method of claim 16 wherein said monitoring is performed by a reset circuit located in the device.

20. The method of claim 19 wherein the reset circuit detects a voltage drop from a voltage converter upon the application of power to the second power line.

21. The method of claim 19 wherein the reset circuit causes the device to commence normal operation after sufficient operating power is established.

22. The method of claim 19 further comprising the step of inhibiting the reporting via said communication bus that additional power is required from said first power line when the device is operating in a power category capable of being powered using limited power from said first power line.

23. An apparatus comprising:

a first coupling means to detachably couple the device to a bus that includes a power line;

14

a second coupling means to couple said device to a source of power;

circuit means coupled to each of said first and second coupling means, said circuit means operating in a first mode in which said circuit means draws operating power from the power line through said first coupling means if no power is being received through said second coupling means, and operating in a second mode in which said circuit means draws power through said second coupling means if a power source is supplying power to said second coupling means;

means for automatically determining which of said first and second modes said circuit means is operating in; and,

means for automatically generating a reset signal to initiate the transmission of a reporting message through said first coupling means, said reporting message including an indication of whether additional power is required for operation of said device in response to the mode that said circuit means is now operating in; and wherein said circuit means monitors whether power from a power supply is present at said second coupling means, and wherein said circuit means automatically switches from said first mode to said second mode when the power supply begins supplying power through said second coupling means.

24. The apparatus of claim 23 wherein the means for automatically determining which of said first and second modes said circuit means is operating in comprises:

a voltage divider controlled by said power from said power supply; and,

a plurality of lines connected to said voltage divider for conveying a binary word.

25. The apparatus of claim 24 wherein the means for automatically reporting comprises a PHY circuit.

26. The apparatus of claim 23 wherein said circuit means comprises a voltage converter connected to said first and second coupling means, wherein the voltage converter provides power to said device obtained from said first coupling means, and said voltage converter is disabled when a power supply begins supplying power through said second coupling means.

27. The apparatus of claim 26 wherein said circuit means further comprises a diode for passing current in order to provide power to said device from said second coupling means.

28. A computer readable storage medium, containing instructions to cause a processor within a bus communication device to execute a method comprising:

polling an external power line that provides power to the bus communication device to determine the state of the external power line;

determining whether the external power line has changed from a logic high to a logic low; and

if the external power line has changed from a logic high to a logic low, responsively generating a reset signal to initiate the transmission of a reporting message on the bus, wherein the reporting message includes an indication of a power consumption category.