

US00RE41292E

(19) **United States**
(12) **Reissued Patent**
Daly et al.

(10) **Patent Number:** **US RE41,292 E**
(45) **Date of Reissued Patent:** ***Apr. 27, 2010**

(54) **MODULAR DIGITAL RECORDING LOGGER**

(75) Inventors: **Daniel F. Daly**, Monroe, CT (US); **John Henits**, Bethel, CT (US); **Salvatore J. Morlando**, Easton, CT (US); **Robert B. Swick**, Stratford, CT (US); **Keith K. W. Leung**, Monroe, CT (US); **Yanyan Leung**, legal representative, Monroe, CT (US); **Constantine P. Messologitis**, Milford, CT (US)

(73) Assignee: **Nice Systems Inc.**, Rutherford, NJ (US)

(*) Notice: This patent is subject to a terminal disclaimer.

(21) Appl. No.: **09/672,148**

(22) Filed: **Sep. 28, 2000**

Related U.S. Patent Documents

Reissue of:

(64) Patent No.: **5,819,005**
Issued: **Oct. 6, 1998**
Appl. No.: **08/623,671**
Filed: **Mar. 29, 1996**

U.S. Applications:

(63) Continuation of application No. 08/100,944, filed on Aug. 3, 1993, now abandoned.

(51) **Int. Cl.**
G10L 11/00 (2006.01)

(52) **U.S. Cl.** **704/200; 704/270; 704/500; 360/48; 379/88.28**

(58) **Field of Classification Search** **704/200, 704/270, 500, 501; 360/48; 379/88.28, 88.25, 379/88.22, 88.16, 88.07, 402; 375/345; 707/100**
See application file for complete search history.

(56) **References Cited**

U.S. PATENT DOCUMENTS

4,260,854 A * 4/1981 Kolodny et al. 360/71

4,360,854 A	11/1982	Schergen et al.	361/149
4,375,083 A *	2/1983	Maxemchuk	364/900
4,621,357 A *	11/1986	Naiman et al.	370/58.2
4,630,261 A *	12/1986	Irvin	370/235
4,679,191 A *	7/1987	Nelson et al.	370/84
4,829,514 A *	5/1989	Frimmel et al.	370/58
4,891,835 A *	1/1990	Leung et al.	379/88
5,001,703 A *	3/1991	Johnson et al.	370/280
5,121,212 A *	6/1992	Okumura et al.	348/738
5,127,003 A	6/1992	Doll, Jr. et al.	370/110.1
5,129,036 A *	7/1992	Dean et al.	395/2
5,142,527 A *	8/1992	Barbier et al.	370/62

(Continued)

FOREIGN PATENT DOCUMENTS

CA	2085753	2/1998
DE	4005027	* 2/1992
EP	0 550 275 A2	7/1993
JP	2174330	* 7/1990
SU	1712964	* 2/1992

OTHER PUBLICATIONS

“Eventide’s Digital Voice Logger,” Teleconnect, Jun. 1991, p. 42.

(Continued)

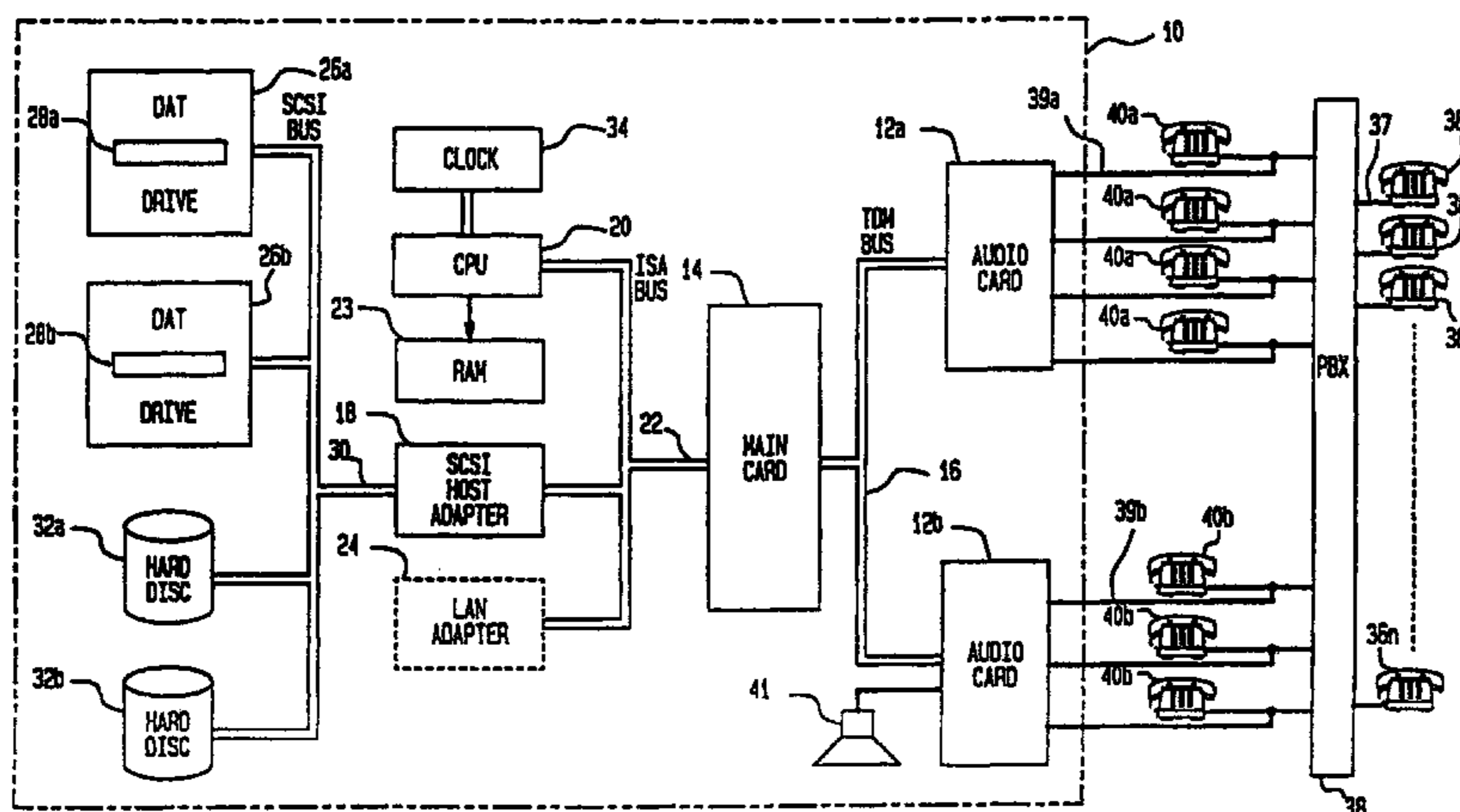
Primary Examiner—Angela A Armstrong

(74) *Attorney, Agent, or Firm*—Pearl Cohen Zedek Latzer, LLP

(57) **ABSTRACT**

A modular digital recording system that records audio on digital audio tapes provides redundancy and the ability to record audio while listening to portions of audio that had been recorded on the DAT. The system uses a hard disc that receives audio for recording simultaneously with the DAT. When one wishes to listen to a voice message, one can activate the hard disc to listen to a particular message while the DAT is still recording. The system is modular so that the capacity can be expanded as required. The system includes a LAN adapter so that the system can providing networking access.

55 Claims, 3 Drawing Sheets



U.S. PATENT DOCUMENTS

5,163,085	A	11/1992	Sweet et al.	379/89
5,195,128	A	3/1993	Knitl	379/67
5,199,062	A	3/1993	Von Meister et al.	379/67
5,274,738	A *	12/1993	Daly et al.	704/200
5,339,203	A *	8/1994	Henits et al.	360/39
5,353,168	A *	10/1994	Crick	360/5
5,396,371	A *	3/1995	Henits et al.	360/5
5,404,455	A	4/1995	Daly et al.	
5,448,420	A *	9/1995	Henits et al.	360/48
5,457,782	A	10/1995	Daly et al.	395/2
5,511,000	A *	4/1996	Kaloi et al.	364/514
5,625,890	A	4/1997	Swift	455/67.1
5,819,005	A *	10/1998	Daly et al.	348/738

OTHER PUBLICATIONS

“VR240 Digital Audio-Logger,” Eventide Inc., Mar. 27, 1991.

Racal Recorders, *Wordsafe*, Racal Recorders Inc., Pub. No. 3115-2, Dec. 1990.

TEAC Communications Recorders, CR-320/CR-310, TEAC America, Inc., 1990.

VR240 Manual, Eventide Inc., Jan. 6, 1992.

Summons to Attend Oral Proceedings Pursuant to Rule 71(1) EPC, mailed Jul. 5, 2002.

“Random-Access Editing of Digital Audio,” R.B. Ingebretsen & T.G. Stockham, Jr., *J. Audio Eng’g Soc.*, v. 32, Mar. 1984, pp. 114-122.

“A Flexible Digital Sound-Editing Program for Minicomputer Systems,” M. Griffiths & P.J. Bloom, *J. Audio Eng’g Soc.*, v. 30, Mar. 1982, pp. 127-134.

ASC Telecom GmbH, “System DL 2—Digital Voice Logging Unit on DAT-Cassette,” Aug. 1992.

Dictaphone Corporation, “Series 9800 (DAT) Digital Logger—Operator’s Manual,” Nov. 1992.

Press Release, Dictaphone Corporation, “Digital Audio Tape Logger—Another Dictaphone First,” Feb. 1992.

Secure Surveillance Systems, Ltd., “S³ DR 1000—16-32 Channel D.A.T. System”.

Press Release, Dictaphone Corporation, “Dictaphone’s New ProLog™ Digital Communications Recording System Provides Revolutionary Cost Savings/Playback Features,” Jun. 1993.

Magnasync Corporation, Product Information and Brochures for Digital Voice Logger, Jul. 1992.

Racal Recorders, Inc., “Rapid Access Voice Logging Recorder,” Oct. 1991.

Racal Recorders, Inc., “RAPIDAX Instant Recall Recorder,” Jun. 1992.

Racal Recorders, Inc., “RAPIDAX Ranger Digital Tactical Logging System,” Jun. 1995.

Racal Recorders, Inc., “RAPIDAX Ranger—Technical Specification,” May 1994.

“Rapidax Ranger Sales Manual (Provisional)”.

Nice, “Disk-Based Audio Storage/Retrieval Systems—DSN-1000”.

“Voice Logging: Comverse Reports Initial Success for Its New Digital Voice Logging System,” *Edge*, vol. 7, No. 209, p. 18, Jul. 1992.

Atis Assmann GmbH, Systemtechnics Division, “Multi-channel Monitoring and Recording—Overview,” 1993.

Eyretel, Ltd., “Voice Recording Solutions”.

Eyretel, Ltd., “E-500 16 Channel Digital Voice Recorder”.

Eyretel, Ltd., “E1000 Digital Voice Recorder” brochure.

Eyretel, Ltd., “The E1000 Digital Voice Recorder” Information Page, www.eyretel.com/E1000.htm, printed Apr. 1997.

Eyretel, Ltd., “An Outline of Eyretel and the E1000 Digital Recorder”.

Eyretel, Ltd., Application Bulletin, “Networking Solutions for Eyretel Digital Voice Recorders”.

Eyretel, Ltd., Application Bulletin, “Buyers Guide to Digital Voice Recorders for Financial Applications”.

European Search Report, for Application No. EP 0 642 250 A3, search completed Dec. 7, 1998.

European Patent Application 0 550 273 A2 (corresponding to reference AK listed above), Dec. 31, 1991.

Patent Abstracts of Japan, Application No. 01267499, Oct. 13, 1989.

“Questions and Answers: The Eventide VR240 Digital Audio-Logger,” Eventide Inc., Mar. 27, 1991.

TEAC Communications Recorders, CR-320/CR-310, TEAC America, Inc., Aug. 1994

Magnasync/Comverse, “DVL 1000” brochure 2 pages.

Magnasync Corp., DVL 1000 Digital Voice Logger brochure, 2 pages.

Comverse/Magnasync, Digital Voice Recording DVL 1000 brochure, 1 page.

Comverse Technology Inc., Audio Disk Observer brochure, 3 pages, 1991.

Brochure—VR240 Digital Broadcast Logger (no date).*

* cited by examiner

FIG. 1

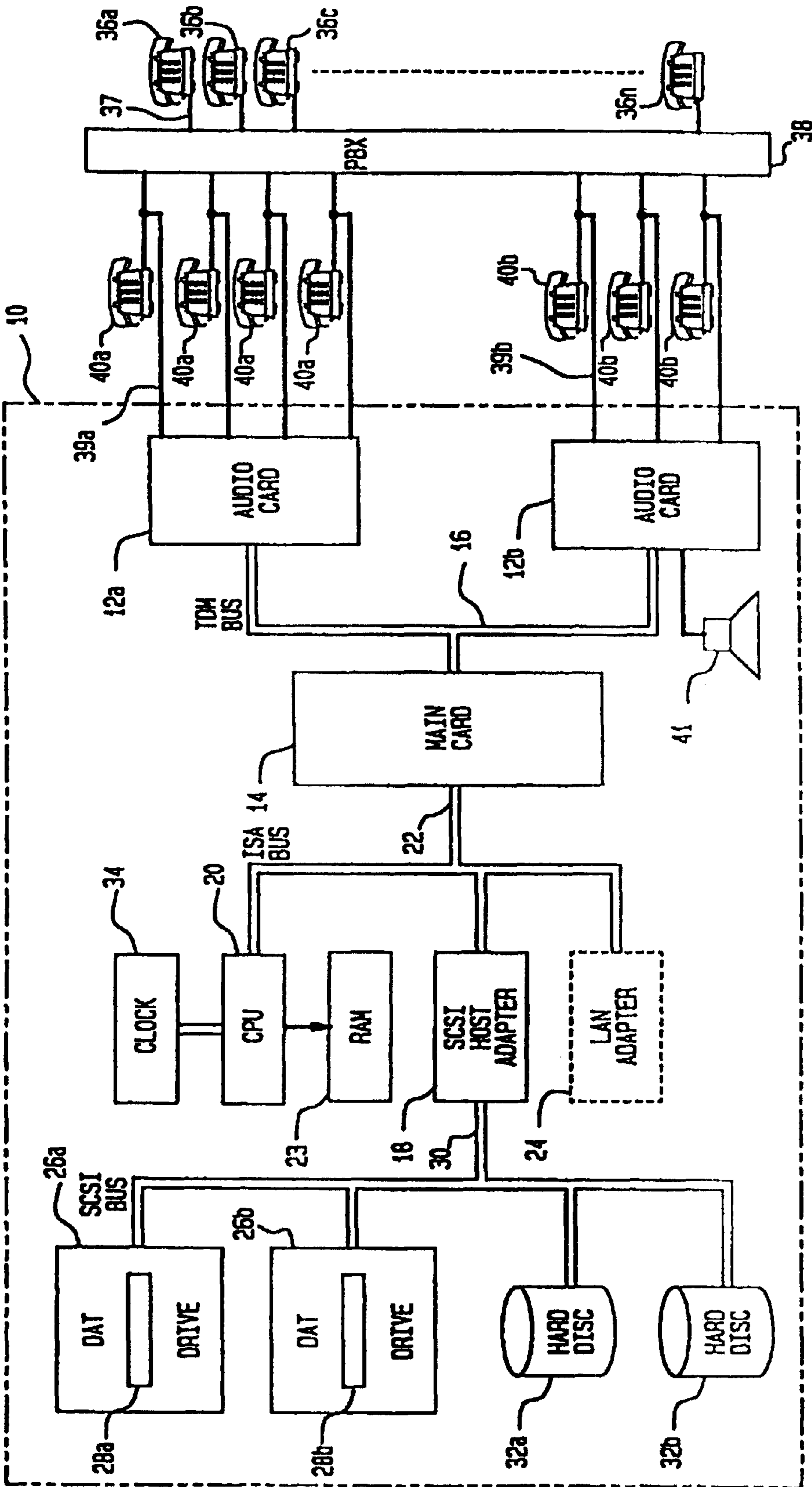


FIG. 2

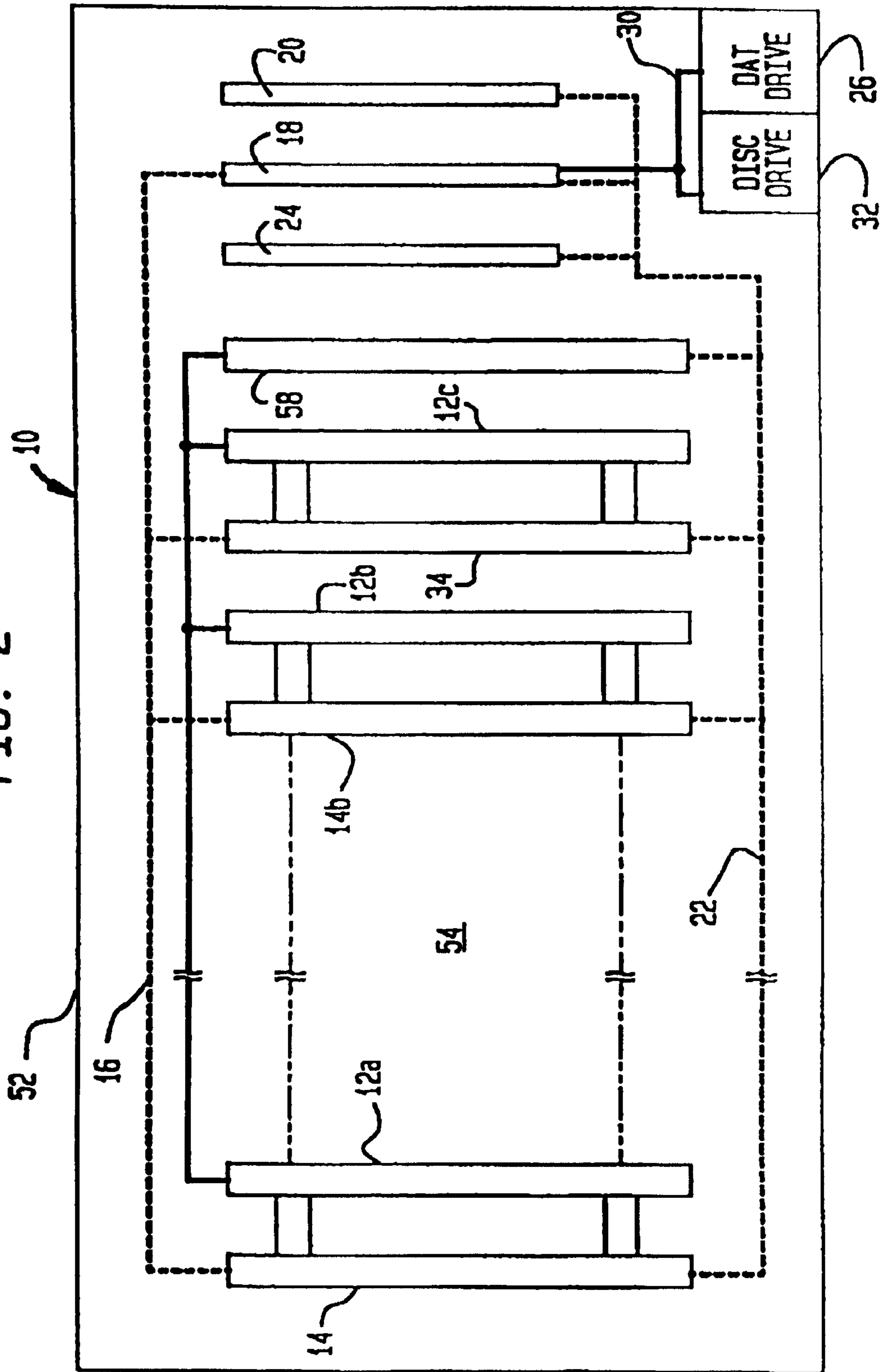
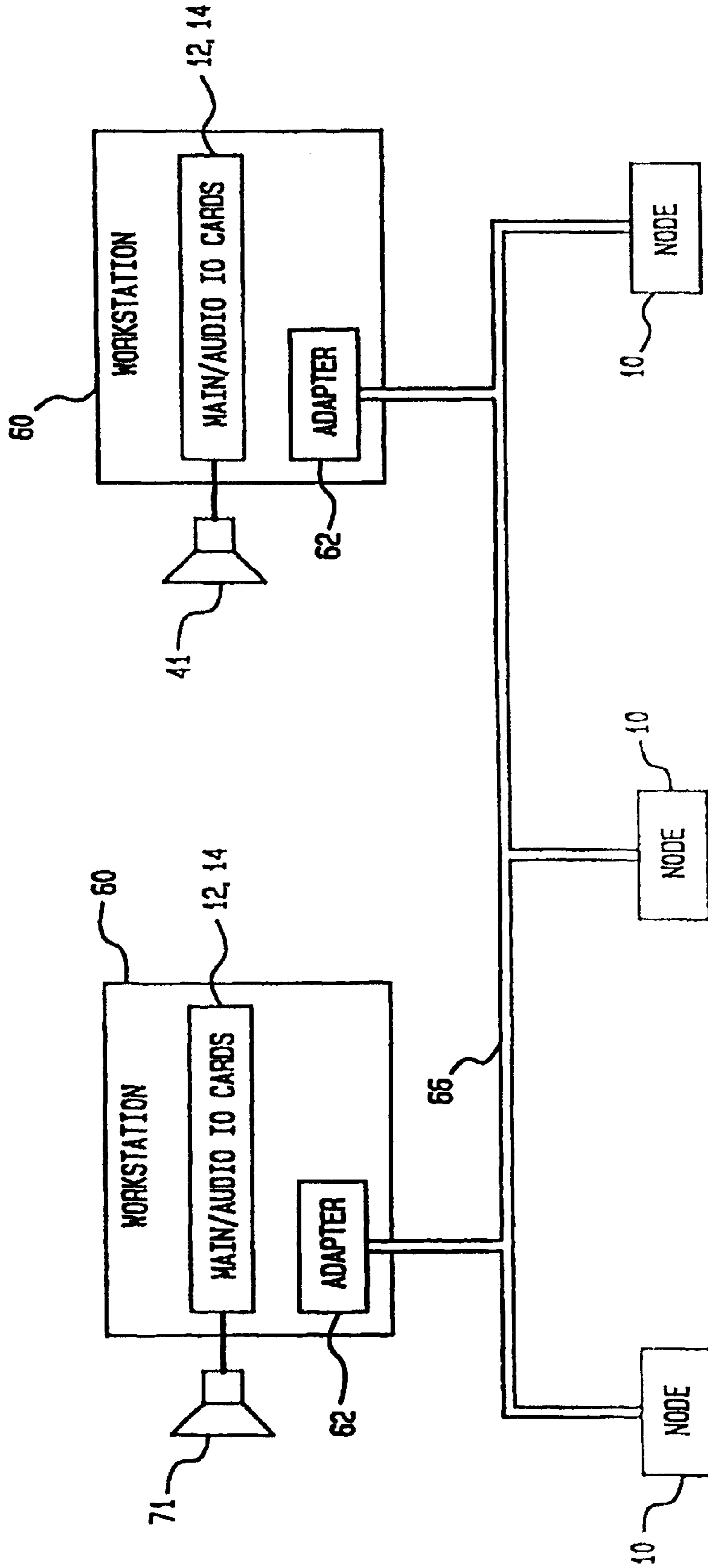


FIG. 3



MODULAR DIGITAL RECORDING LOGGER

Matter enclosed in heavy brackets [] appears in the original patent but forms no part of this reissue specification; matter printed in italics indicates the additions made by reissue.

This is a continuation of U.S. patent application Ser. No. 08/100,944, filed Aug. 3, 1993 now abandoned.

BACKGROUND OF THE INVENTION

In the field of voice processing, there are circumstances in which it is necessary that audio, such as conversations, be recorded and the time when such recordings took place be established. Systems capable of providing this requirement have been commercially available for a long period and are referred to as recording loggers, or loggers for short. Prior systems have worked rather well, but were based for a long time on analog technology. Because of this, the prior logger systems were physically large and the tapes that recorded audio for archival purposes were also large, thus requiring a large amount of storage space.

To overcome these drawbacks of prior analog loggers, digital loggers have recently been developed and offered commercially. Although such digital loggers have advantages over the prior analog loggers, they still have shortcomings in terms of networking expandability and voice capacity. It is an object of the invention to provide a digital logger that overcomes these disadvantages. In addition, it is an object of the invention to provide a digital logger that is modular in construction so that the capacity of such logger can be increased conveniently and economically and software can be upgraded as required.

SUMMARY OF THE INVENTION

The modular digital recording logger of the invention provides advantages not only over prior analog loggers, but over prior digital recording loggers as well. The digital logger of this invention has a basic unit that comprises four primary components, an audio card that monitors audio sources (such as telephones), a main card that processes audio, a host computer that controls the overall operation and memory.

The audio card serves the main functions of communicating with the audio sources, converting received analog signals to digital signals and directing the audio signals through a time division multiplexed (TDM) bus to the main, or application card.

The application card communicates with the audio card through the TDM bus to monitor the status of the audio cards, when there is more than one, and determine which needs service. The application card packages received data, executes speech compression and expansion, performs VOX and performs other functions. The application card is attached to an ISA bus as are a computer, such as a personal computer, a LAN adapter and a SCSI adaptor. The computer stores the operating instructions and supervises and coordinates the activities of the other components of the logger system. The SCSI adaptor is in communication with at least one digital audio tape (DAT) drive and at least one hard disc drive. The system is modular so that the capacity of the system can be expanded as required readily at a minimum cost and software can be modified conveniently as desired. In addition, the LAN adapter allows each logger of the invention to be part of a networked system that include other digital loggers and workstations.

BRIEF DESCRIPTION OF THE DRAWING

FIG. 1 shows a functional block diagram of a modular digital recording logger constructed in accordance with the present invention;

FIG. 2 is a top plan schematic view of the components of the logger of FIG. 1 shown in a housing; and

FIG. 3 is a block diagram showing a plurality of the loggers of FIG. 1 connected in a network.

DETAILED DESCRIPTION OF THE PREFERRED EMBODIMENT

With reference to FIG. 1, a digital modular recording logger is shown at 10 and includes a pair of audio circuit boards 12a, 12b which will hereinafter be referred to as audio cards. Only two audio cards 12 are shown, but a larger number of audio cards can be included in the system. For example, where thirty two recording channels are required, eight digital audio cards 12 would be required, as it will be described in the description that follows. The audio cards 12a, 12b are in communication with an audio application processing circuit board 14, which hereinafter will be referred to as the main card, through a time division multiplexed (TDM) bus 16. Once more, only one main card 14 is shown and described, but it will be appreciated that where more audio cards are required, (e.g., eight), more main cards also may be needed, (e.g., four), upon the particular architecture of the audio cards and main cards. The main card 14 communicates with a personal computer through an ISA bus 22. The computer has a CPU and RAM 23 and is in communication with a small computer system interface (SCSI) adaptor 18 through the ISA bus 22. The SCSI host adaptor 18 can be any of a number of commercially available adaptors such as an Adaptec 1542 adaptor available from Adaptec Corporation.

The combination of the CPU 20 and RAM 23 can be any personal computer such as an IEE 996 standard PC/AT.

Also tied to the CPU 20 is a clock 34. The LAN adapter 24 provides the opportunity for network connection, as it will be described hereinafter with reference to FIG. 3.

The SCSI host adaptor 18 communicates with a pair of tape drives 26a, 26b each of which is capable of driving a digital audio tape (DAT) 28a, 28b, respectively. The tape drives 26a, 26b are in communication with the SCSI host adaptor 18 through a SCSI bus 30. Also in communication with the SCSI host adaptor 18 through the SCSI bus 30 are two disc drives 32a, 32b. The number of DAT's 28 and disc drives 26 can vary to customize the system 10 to the operative channel requirements, but where the tapes are redundant, only one disc drive need be used.

A plurality of audio sources such as telephones 36a, 36b, 36c . . . 36n are shown. These represent any telephones outside of the system 10 that are able to communicate with the system 10 through communication lines 37. The system 10 can monitor a number of different types of audio devices, including a private branch exchange (PBX) 38 to which a plurality of telephones 40a and 40b are connected. Other audio sources include radio, central office lines, microphones, speakers and the like.

As shown in FIG. 1, the audio card 12a has four ports and is able to communicate with the lines 39 (channels) connecting the telephones 40a with the PBX 38 so as to receive audio signals therefrom. More specifically, the audio cards 12a, 12b receive audio from two sources, an internal telephone 40 and an external telephone 36. The audio card 12b also has four ports, with three of the ports communicating with communication lines 39b leading to telephones 40b and the PBX 38. One of the ports is connected to a speaker 41, thereby allowing messages to be heard, as it will be described hereinafter. The communication lines 39 transmit audio from the PBX 38 and telephones 40 to the audio cards 12.

The audio cards **12** can be of the type shown and described in co-pending patent application Ser. No. 07/815, 205 and entitled Audio Circuit Board for a Modular Digital Voice Processing system, filed Dec. 31, 1991, now Ser. No. 102,678, filed Aug. 5, 1993, the disclosure of which is hereby incorporated by reference. The system **10** can be activated in one of two ways, either through the audio card detecting a telephone **40** going off hook, or through a VOX operation controlled by the main card **14** which is activated upon the main card receiving an audio signal from one of the audio cards.

The audio card **12** converts the analog signals received from the communication lines **39** from analog to digital and will transmit the signals onto the TDM bus **16** under control of the main card **14**. The main card **14** monitors the status of the audio cards **12a**, **12b** to see which audio card needs service and upon responding thereto, the audio is sent over the TDM bus **16**. The main card **14** can be of the type shown and described in copending application Ser. No. 07/816,404, filed Dec. 31, 1991, now U.S. Pat. No. 5,404,455, and entitled Time Division Multiplexer Chip, the disclosure of which is hereby incorporated by reference. As stated previously, only two audio cards **12** are shown in FIG. 1, but more audio cards can be added to the system as required.

The main card **14** receives the digital audio signals from the audio cards **12** and compresses the data, as for example from 64K bits per second to 13K bits per second of audio and packages the audio into 2048 byte messages. This data is then sent across the ISA bus **22** to the CPU **20** that serves as a traffic director for the entire system **10**. The data is stored in the RAM **23** prior to being transmitted to SCSI host adapter **18** and onto the tapes **28** and discs **32** where the data is stored permanently.

Because DAT recording is relatively fast compared to channel data rates i.e., the DATs are capable of receiving data faster than data is digitized by the system, the data is first written into and stored on the RAM **23** and will be transmitted to the DATs **28** at a rate that is compatible with the capability of the DATs. At the same time, data is written into the disc files **32**.

The two tapes **26a**, **26b**, can be used either independently to achieve greater capacity, or simultaneously to achieve redundancy. When used independently, more data can be written to the tapes. When they are used simultaneously, one tape **28a** will serve as a backup for the other tape **28b**. In this way, if either of the tapes is destroyed for any reason, there is always a backup.

The disc files **32a** and **32b** duplicate what is recorded on each of the DATs **28**. Clearly, if the DATs **28a**, **28b** are being used in a redundant manner, only one disc **32** is required to record the audio. In fact, one disc **32** can be partitioned with a portion duplicating the data on one DAT **28a** and the other portion duplicating the data on a second DAT **28b** when the DATs are run sequentially. The primary function served by the disc file **32** is to allow one to listen to previously written recorded data without interfering with the functions of the DATs **28**. In addition, the discs **32a**, **32b** can serve the function of back-ups for the DATs **28a**, **28b**.

When one wishes to listen to audio that had been recorded at a particular time, this can be accomplished by inputting a request to the CPU **20** requesting that a message on a particular channel and at the given time be delivered over the speaker **41**.

The time data is stored on the DATs **28** and discs **32** under control of the CPU **20**. An input is made into the system **10**, as by a network or serial port connection for the time and

channel for a particular message. The host adaptor **18** will search the disc **32** for the address of the specific time and channel and will retrieve the audio from the disc **32**. While this is occurring, the DATs **28a**, **28b** are capable of continuing to record audio.

The audio recovered from the disc **32a** will be transmitted to the main card **14** where decompression will take place and the data will be expanded, as for example, from 13K bits per second to 64K bits per second. The data will then be transmitted to the audio card **12b** where it will be converted from digital to analog and eventually will be heard over the speaker **41**.

FIG. 2 is a top plan schematic view that demonstrates the modularity of the system **10** and how its capacity can be readily expanded as required. A housing **52** has a base **54** that receives the various cards of the system as will be described. One or more main cards **14a**, **14b** will be received within and supported by the base **54**, as will a plurality of audio cards **12a**, **12b**. Once more, although three audio cards **12** are shown, it will be appreciated that a greater or lesser number can be used and one main card is capable of monitoring and servicing a plurality of audio cards, two as shown in FIG. 1.

Each main card **14** will be connected logically to an audio card **12a**, but it is not necessary that the audio card be connected physically to the main card to which it is connected logically because of the TDM function of the system. In addition, an audio card **12c** can be physically attached to a dummy card **34** that can provide an electrical connection but no logic. Thus, one main card **14a** can be connected logically through the TDM bus **16** to two audio cards **12a**, **12c**.

The housing base **54** also supports the CPU **20** which is connected with the main cards **14** through the bus **16**. The SCSI adaptor **18** is in communication with the main cards and with the CPU **20** through the ISA bus **22**. In this way, cards **12a**, **14** can be added or eliminated from the system **10** in accordance with requirements thereof because of the time division multiplexing capability of the system. As a main card **14** and audio card **12** are added they will be connected to the appropriate busses and supported by the base **54**. The base **54** also supports a clock buffer **58** that provides timing for the TDM bus and provides additional drive for the ISA bus and the components attached thereto.

FIG. 3 is a schematic view showing how the invention can be networked to include a number of systems **10** connected as nodes, and workstations **60**. Where a large number of telephone conversations are to take place and recorded, as for an example at a brokerage firm, a large number (e.g. 160) of conversations may need to be recorded. In this instance, one system **10** would not be capable of servicing that many calls.

In FIG. 3, several workstations **60** are connected to a LAN bus **64** and are several of nodes **10**. Each workstation is a personal computer **60** with a main card **14**, an audio card **12** and a LAN adapter **62**. A speaker **41** is attached to each workstation **60**. In addition, the number of workstations **60** can be increased so that access to the systems **10** at a number of different locations can be achieved and one would be able to monitor and have access to any audio data as required.

When audio is to be retrieved, the processing will take place in a node **10** as described previously, with the exception that compressed audio is sent by the LAN adapter **24** (FIG. 1) over the LAN bus **64** (FIG. 3) and received by the LAN adapter **62** of the requesting workstation **60**. The compressed data is then processed by the main/audio cards, **14**, **12** and subsequently audio is heard over the speaker **41**.

5

Thus, what has been shown and described is a digital recording logger that is modular in construction, is capable of using digital audio tapes in an effective manner and can be networked to provide a plurality of workstations and nodes.

The above embodiments have been given by way of illustration only, and other embodiments of the invention will be apparent to those skilled in the art from consideration of the detailed description. Accordingly, limitations on the instant invention are to be found only in the claims.

What is claimed is:

1. A modular digital recording logger[,] comprising:
 - a housing;
 - at least two [circuit modules] *audio circuits* in said housing for converting analog voice signals to digital voice signals, each of said [circuit modules] *audio circuits* including at least two terminals for receiving said analog voice signals, each of said terminals being capable of receiving said analog voice signals for recording a two-way conversation;
 - a circuit in said housing for compressing said digital voice signals received from each of said [circuit modules] *audio circuits* to provide compressed voice data;
 - a first bus in said housing for providing communication between said [circuit module] *audio circuits* and said compressing circuit, *said first bus enabling the addition or removal of circuits*;
 - a multiplexer circuit in said housing for providing communication between said compressing circuit and said first bus, wherein said multiplexer circuit multiplexes voice signals exchanged between said compressing circuit and said [circuit modules] *audio circuits* on said first bus; [and]
 - a host computer for controlling the logger; and
 - a digital audio tape (DAT) drive for storing said compressed voice data.
2. The modular digital recording logger of claim 1, further including a clock in communication with said computer.
3. The modular digital recording logger of claim 1[,] further [including] *comprising* a speaker in communication with at least one [circuit module] *of the audio circuits*.
4. The modular digital recording logger of claim 1[,] further comprising a hard disk drive in said housing for storing [and reproducing] said compressed voice data.
5. The modular digital recording logger of claim 4[,] further comprising: a computer in said housing for operating said DAT drive and/or said hard disk drive to store and reproduce said digital voice signals; and] a second bus in said housing for connecting said computer to said hard disk drive and said DAT drive.
6. The modular digital recording logger of claim 1, wherein said first bus is a time division multiplexing (TDM) bus and said multiplexer circuit is a time division multiplexer circuit.
7. The modular digital recording logger of claim [1] 5, wherein said second bus is a small computer system interface (SCSI) bus and *the logger* further [comprising] *comprises* a SCSI adapter for connecting said computer to said SCSI bus.
8. The modular digital recording logger of claim 1, wherein said compressing circuit is a processor.
9. The modular digital recording logger of claim 8, further comprising a ISA bus for providing communication between said computer and said processor.
10. The modular digital recording logger of claim 7, further including a random access memory (RAM) for storing said compressed voice data before it is transmitted to the SCSI adapter.

6

11. A network [system] of modular digital recording loggers[,] comprising:

at least two digital recording loggers for logging voice [conversations] *signals*, each of said recording loggers comprising:

a housing[.];

a *first* circuit in said housing for converting analog voice signals to [and from] digital voice signals, said circuit [modules] including at least two terminals for receiving said analog voice signals, and wherein each of said terminals is capable of receiving said analog voice signals for recording a two-way conversation,

a *second* circuit in said housing for compressing said digital voice signals received from [each of said circuit modules] *the first circuit* to provide compressed voice data,

[a first bus in said housing for providing communication between said circuit module and said compressing circuit,]

[a multiplexer circuit in said housing for providing communication between said compressing circuit and said first bus, wherein said multiplexer circuit multiplexes voice signals exchanged between said compressing circuit and said circuit modules on said first bus,]

a digital audio tape (DAT) drive for storing said compressed voice data,

a hard disk drive in said housing for storing [and reproducing] said compressed voice data,

a first computer in said housing for operating said DAT drive and/or said hard disk drive to store [and reproduce said digital voice signals] *compressed voice data received from said second circuit and retrieve stored compressed voice data*, and

[a second bus in said housing for connecting said computer to said hard disk drive and said DAT drive;]

a second computer for processing compressed [digital] voice [signals received] *data retrieved* from [each of] said recording loggers; and

a [third] bus connecting each of said recording loggers to said second computer.

12. The network [system] of claim 11[,] further comprising a clock in communication with said first computer.

13. The network [system] of claim 11, wherein said [third] bus is a local area network (LAN) bus.

14. The network [system] of claim 13, wherein said second computer and each of said recording loggers further include a LAN adapter for providing connection to said LAN bus.

15. The network [system] of claim 11[, wherein said first bus is] *further comprising* a time division multiplexed (TDM) bus [and said multiplexer circuit is a time division multiplexer circuit] *that provides for communication between the first and second circuits in each digital recording logger*.

16. The network [system] of claim 11[, wherein said second bus is] *further comprising* a small computer system interface (SCSI) bus *for connecting said first computer to said hard drive and said DAT drive* and [further comprising] a SCSI adapter for connecting said first computer to said SCSI bus *in each digital recording logger*.

17. The network [system] of claim 16[,] further comprising a random access memory (RAM) for storing said compressed voice data before [it is transmitted] *transmission* to the SCSI [adapter] *bus in each digital recording logger*.

18. The network [system] of claim 11, wherein said [compressing] *second circuit in each digital recording logger* is a processor.

7

19. The network [system] of claim 18[,] further comprising an ISA bus for providing communication between said first computer and said processor *in each digital recording logger.*

20. The network [system] of claim 11, wherein said second computer is a workstation.

21. The network [system] of claim 11[,] further comprising a speaker in communication with said second computer for reproducing [said] analog voice signals *from the compressed voice data.*

22. A method of manufacturing a modular digital recording logger, comprising the steps of:

selecting a number of [circuit modules] *circuits* for converting analog voice signals to [and from] digital voice signals, each of said [circuit modules] *circuits* including at least two terminals for receiving [said] analog voice signals, and wherein each of said terminals is capable of receiving said analog voice signals for recording a two-way conversation;

installing said selected number of said [circuit modules] *circuits* in a housing;

installing a *compressing* circuit in said housing for compressing said digital voice signals received from each of said [circuit modules] *circuits* to provide compressed voice data;

installing a first bus in said housing for providing communication between said [circuit module] *circuits* and said compressing circuit;

installing a multiplexer circuit in said housing for providing communication between said compressing circuit and said first bus, wherein said multiplexer circuit multiplexes voice signals [exchanged] between said compressing circuit and said [circuit modules on said first bus] *circuit*; and

installing a digital audio tape (DAT) drive in said housing for storing [and reproducing] said compressed voice data.

23. The method of claim 22[,] further comprising the steps of [connecting to said comprising circuit] *installing* a hard disk drive *in said housing* for storing [and reproducing] said compressed voice data.

24. The method of networking a plurality of digital recording loggers[,] comprising the step of:

selecting a number of modular digital recording loggers for logging voice [conversations] *signals*, each of said recording loggers comprising:

a housing[.];

a *converting* circuit [in said housing] for converting analog voice signals to and from digital voice signals, said circuit including a plurality of terminals for receiving said analog voice signals, and wherein each of said terminals is capable of receiving said analog voice signals for recording a two-way conversation,

a *compressing* circuit [in said housing] for compressing said digital voice signals received from [each of said] *the converting* circuit [modules] to provide compressed voice data,

[a first bus in said housing for providing communication between said circuit module and said compressing circuit.],

[a multiplexer circuit in said housing for providing communication between said processor and said first bus, wherein said multiplexer circuit multiplexes voice signals exchanged between said compressing circuit and said circuit modules on said first bus.],

8

a digital audio tape (DAT) drive for storing [and reproducing] said compressed voice data,

a hard disk drive for storing [and reproducing] said compressed voice data,

a first computer [in said housing] for operating said DAT drive and/or said hard disk drive to store and [reproduce] *retrieve* said [digital voice signals.] *compressed voice data*, and

a [second] bus [in said housing for] connecting said computer to said hard disk drive and said DAT drive; installing said selected number of said recording loggers; *and*

[installing a second computer for processing compressed digital voice signals received from each of said recording loggers; and]

[installing a third bus connecting each of said recording loggers to said second computer]

connecting the installed loggers via a local area network (LAN) bus.

25. The method of claim 24, wherein said third bus is a local area network (LAN) bus.

26. The method of claim 25, wherein said second computer and each of said recording loggers further include a LAN adapter for providing connection to said LAN bus.

27. *The modular digital logger of claim 4 further comprising a host adapter for activating the hard disk drive to retrieve select voice signals stored thereon.*

28. *The modular digital logger of claim 4 further comprising means for activating the hard disk drive to retrieve select voice signals stored thereon while signals are being stored using said DAT drive.*

29. *The modular digital logger of claim 3, wherein at least one audio circuit is capable of converting digital audio signals to analog audio signals for playback using said speaker.*

30. *The network of modular digital recording loggers of claim 11, wherein at least one logger has an audio circuit that is capable of converting digital audio signals to analog audio signals for playback.*

31. *The network of modular digital recording loggers of claim 11, wherein at least one digital recording logger is capable of recording voice data while retrieving select previously stored voice data.*

32. *The method of networking of claim 24 further comprising the step of connecting a workstation capable of retrieving compressed voice data stored in an installed recording logger.*

33. *The method of networking of claim 34 further comprising the step of playing back voice data retrieved from an installed recording logger.*

34. *The method of networking of claim 34, wherein the step of connecting is performed using a LAN bus.*

35. A modular digital recording logger, comprising:

a base;

one or more circuits on said base for monitoring a plurality of audio sources and receiving signals therefrom, at least one monitoring circuit being capable of receiving analog signals for recording a two-way conversation and converting analog audio signals to digital audio signals;

at least one application circuit on said base for compressing digital audio signals received from said one or more monitoring circuits to provide compressed audio data;

a first bus on said base for providing time division multiplexed communication of digital audio signals from the plurality of audio sources between said one or more

monitoring circuits and said at least one application circuit, said time division multiplexed communication on the first bus enabling increase or decrease in the number of circuits;

a host computer for controlling the operation of the logger; and

digital storage means for storing said compressed audio data.

36. The modular digital recording logger of claim 37 further comprising a multiplexer circuit that multiplexes audio signals exchanged between said at least one application circuit and said one or more monitoring circuits on said first bus.

37. The modular digital recording logger of claim 38, wherein said multiplexer circuit is a time division multiplexing (TDM) circuit.

38. The modular digital recording logger of claim 36 further comprising a random access memory (RAM) for storing said compressed voice data before it is transmitted to the digital storage means.

39. The modular digital recording logger of claim 35, wherein at least one monitoring circuit is capable of converting digital audio signals to analog audio signals and the logger further comprises a speaker for playback of said analog audio signals.

40. The modular digital recording logger of claim 35, wherein said digital storage means is a random access storage device.

41. The modular digital recording logger of claim 40, wherein said random access storage device is a hard disk.

42. The modular digital logger of claim 41 further comprising a host adapter for activating the hard disk to retrieve select audio signals stored thereon.

43. The modular digital recording logger of claim 35 further comprising a small computer system interface (SCSI) bus for connecting said computer to the digital storage means and a SCSI adapter for connecting said computer to said SCSI bus.

44. The modular digital recording logger of claim 35, wherein at least one application circuit is a processor.

45. The modular digital recording logger of claim 44 further comprising an ISA bus for providing communication between the computer and said processor.

46. The modular digital recording logger of claim 35 further comprising a random access memory (RAM) for storing

said compressed voice data before it is transmitted to the digital storage means.

47. The modular digital recording logger of claim 35, wherein said storage means comprises a digital audio tape (DAT) drive.

48. A network of modular digital recording loggers comprising:

at least two digital recording loggers for logging audio signals, each of said recording loggers comprising:

a base;

one or more circuits on said base for monitoring a plurality of audio sources and receiving signals therefrom, at least one monitoring circuit being capable of receiving analog signals for recording a two-way conversation and converting analog audio signals to digital audio signals;

at least one application circuit on said base for compressing digital audio signals received from said one or more monitoring circuits to provide compressed audio data;

a first computer on said base for controlling the operation of the logger; storage means for storing said compressed voice data;

a workstation capable of processing audio data; and

a bus connecting each of said recording loggers to said workstation.

49. The network of claim 48, wherein said bus is a local area network (LAN) bus.

50. The network of claim 49, wherein said workstation and each of said recording loggers further comprises a LAN adapter for providing connection to said LAN bus.

51. The network of claim 50, wherein said storage means comprises a random access storage device.

52. The network of claim 53, wherein said random access storage device is a hard disk drive.

53. The network of claim 54 further comprising a host adapter for activating the hard disk drive to retrieve select audio signals stored thereon.

54. The network of claim 50, wherein said storage means comprises a digital audio tape (DAT) drive.

55. The network of claim 55, wherein audio signals selected for retrieval on a first digital logger are communicated over said bus and played back on a second digital logger.

* * * * *