



US00RE41116E

(19) **United States**
(12) **Reissued Patent**
Zimmerman et al.

(10) **Patent Number:** **US RE41,116 E**
(45) **Date of Reissued Patent:** **Feb. 16, 2010**

(54) **GOLF CLUB WEIGHT**

FOREIGN PATENT DOCUMENTS

(75) Inventors: **Gery Mel Zimmerman**, Fallbrook, CA (US); **Todd P. Beach**, San Diego, CA (US); **Joseph H. Hoffman**, Carlsbad, CA (US); **Robert Michael Nunez**, San Pedro, CA (US); **Craig Kevin Barez**, Temecula, CA (US)

JP 10-234902 * 9/1998

OTHER PUBLICATIONS

US 3,692,308, Sep. 1972, Glover (withdrawn).*

Primary Examiner—Mitchell I Siegel
(74) *Attorney, Agent, or Firm*—Sheppard, Mullin, Richter & Hampton LLP

(73) Assignee: **Taylor Made Golf Co., Inc.**, Carlsbad, CA (US)

(57) **CLAIM**

(21) Appl. No.: **29/282,102**

The ornamental design for a golf club weight, as shown and described.

(22) Filed: **Jul. 11, 2007**

DESCRIPTION

Related U.S. Patent Documents

Reissue of:

(64) Patent No.: **Des. 515,165**
Issued: **Feb. 14, 2006**
Appl. No.: **29/213,992**
Filed: **Sep. 23, 2004**

FIG. 1 is a first side perspective of an embodiment of a golf club weight in accordance with our new design.

FIG. 2 is a first side elevational view of the golf club weight of FIG. 1.

FIG. 3 is a second side elevation view of the golf club weight of FIG. 1.

FIG. 4 is a third side elevational view of the golf club weight of FIG. 1.

FIG. 5 is a fourth side elevational view of the golf club weight of FIG. 1.

FIG. 6 is a top plan view of the golf club weight of FIG. 1; and,

FIG. 7 is a bottom plan view of the golf club weight of FIG. 1.

The broken line showing is for illustrative purposes only and forms no part of the claimed design.

(51) **LOC (9) Cl.** **21-02**
(52) **U.S. Cl.** **D21/789**
(58) **Field of Classification Search** D21/789,
D21/793, 752, 759, 733; 473/343–346, 324–339,
473/297; D8/387

See application file for complete search history.

(56) **References Cited**

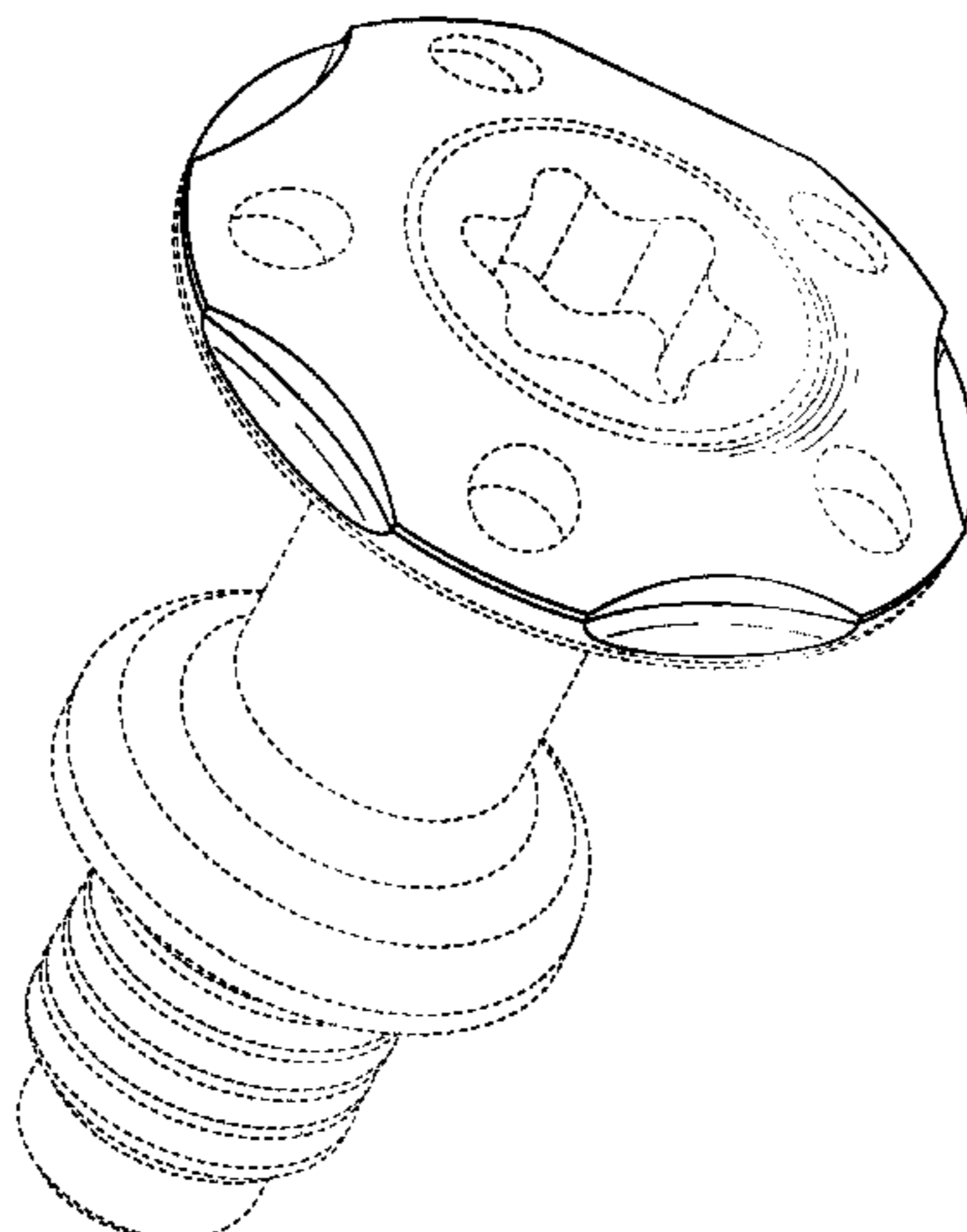
U.S. PATENT DOCUMENTS

1,518,316 A * 12/1924 Ellingham 473/337
2,225,930 A * 12/1940 Sexton 473/338
2,360,364 A * 10/1944 Reach 473/338
3,064,980 A * 11/1962 Steiner 473/335
3,466,047 A * 9/1969 Rodia et al. 473/338
3,606,327 A * 9/1971 Gorman 473/297
4,052,075 A * 10/1977 Daly

1 Claim, 4 Drawing Sheets

Matter enclosed in heavy brackets [] appears in the original patent, but forms no part of this reissue specification; matter printed in italics indicates the additions made by reissue.

(Continued)



(AMENDED)

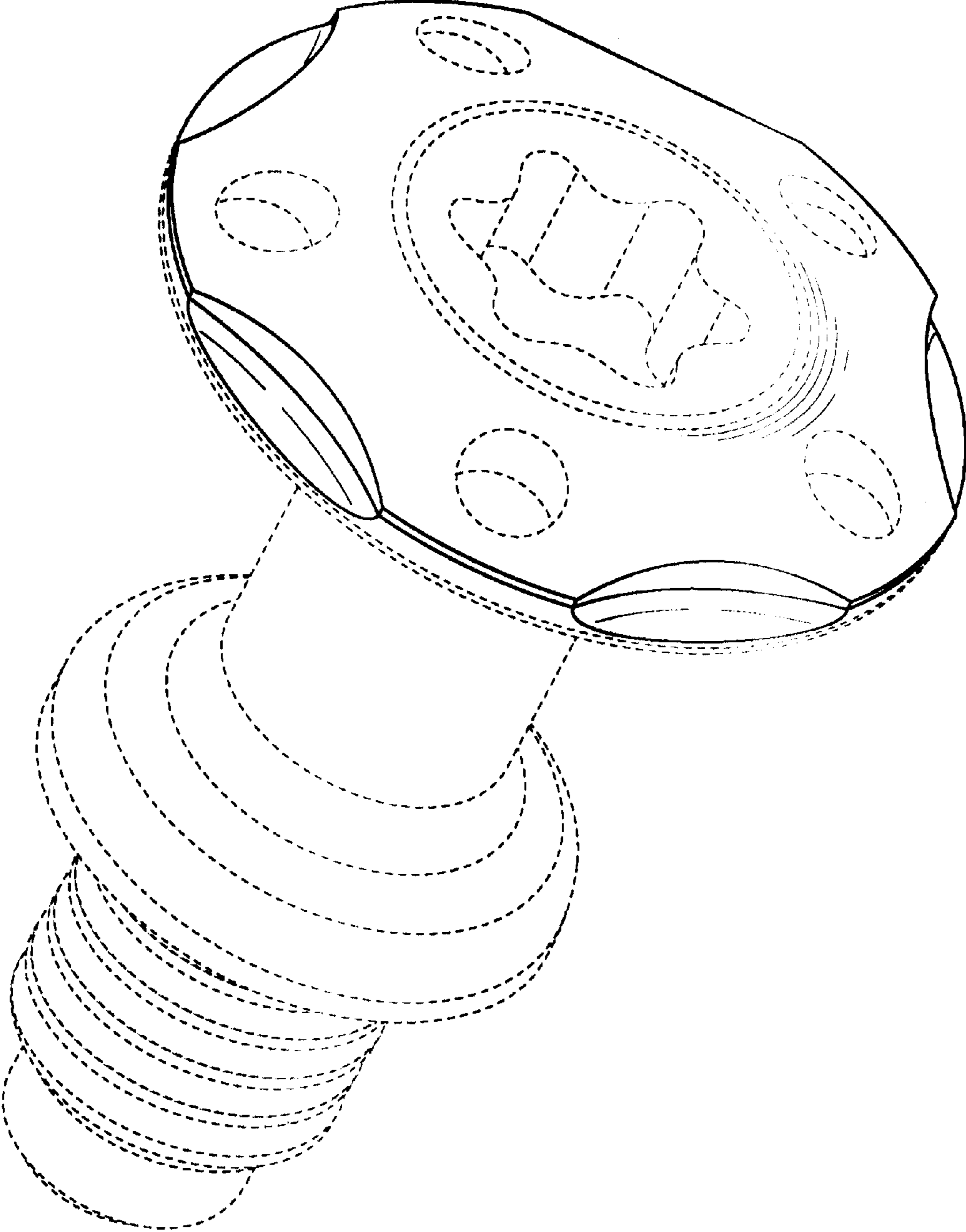
US RE41,116 E

Page 2

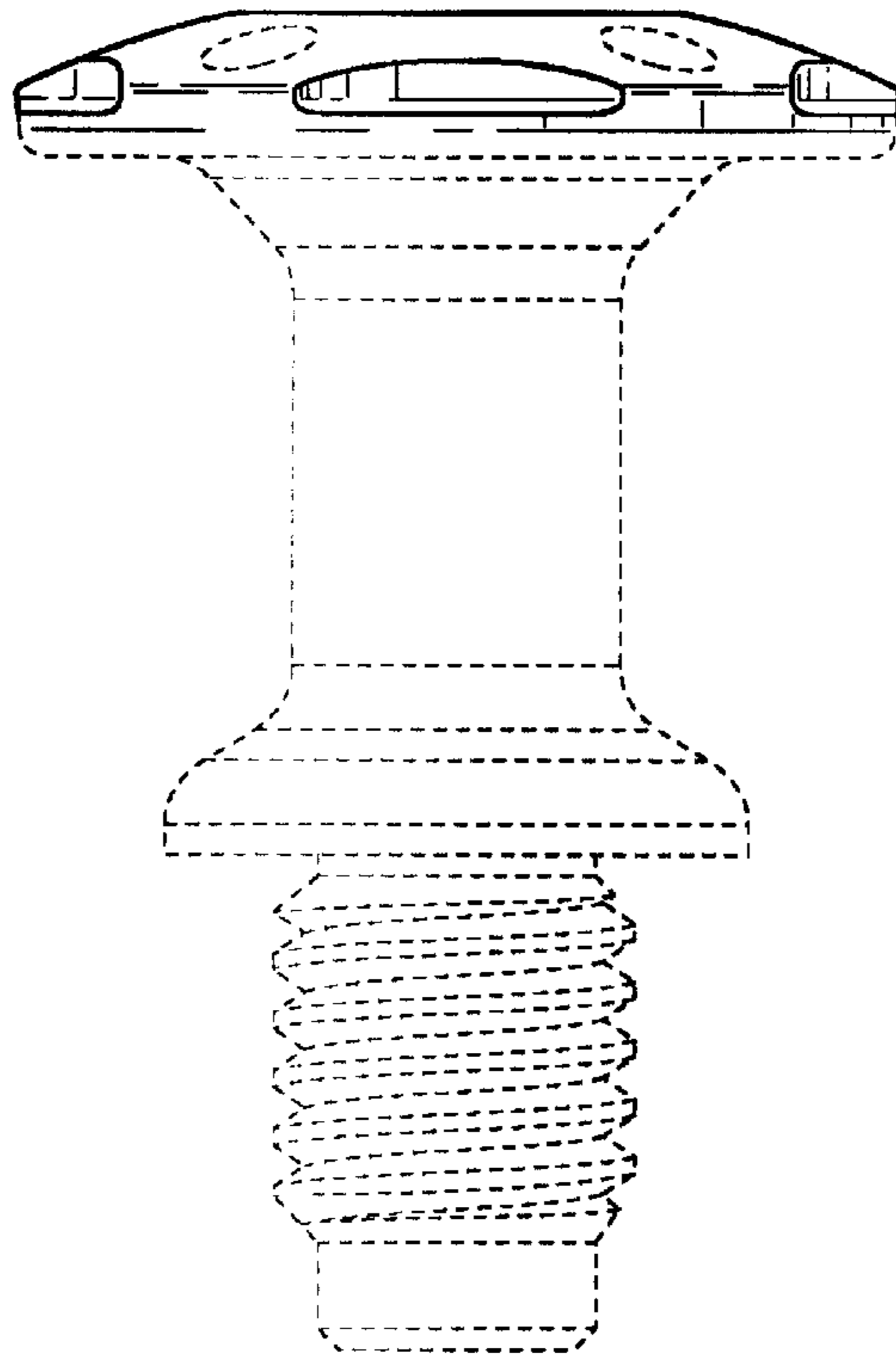
U.S. PATENT DOCUMENTS

4,269,246	A *	5/1981	Larson et al.	5,935,019	A *	8/1999	Yamamoto
4,754,977	A *	7/1988	Sahm	5,947,840	A *	9/1999	Ryan
4,795,159	A *	1/1989	Nagamoto	5,967,905	A *	10/1999	Nakahara et al.
4,869,507	A *	9/1989	Sahm	6,056,649	A *	5/2000	Imai
5,050,879	A *	9/1991	Sun et al.	6,089,994	A *	7/2000	Sun
5,171,117	A *	12/1992	Seidl	6,158,310	A *	12/2000	Goss et al.
5,253,869	A *	10/1993	Dingle et al.	6,379,265	B1 *	4/2002	Hirakawa et al.
5,316,305	A *	5/1994	McCabe	6,524,198	B2 *	2/2003	Takeda
5,320,005	A *	6/1994	Hsiao	6,527,649	B1 *	3/2003	Neher et al.
5,385,348	A *	1/1995	Wargo	6,612,936	B1 *	9/2003	Matias 473/256
5,421,577	A *	6/1995	Kobayashi	D482,092	S *	11/2003	Imamoto D21/759
5,431,401	A *	7/1995	Smith	D482,093	S *	11/2003	Imamoto D21/759
5,571,053	A *	11/1996	Lane	6,641,487	B1 *	11/2003	Hamburger
5,746,664	A *	5/1998	Reynolds, Jr.	2002/0137576	A1 *	9/2002	Dammen
5,911,638	A *	6/1999	Parente et al.	2002/0160854	A1 *	10/2002	Beach et al.
				2005/0143192	A1 *	6/2005	Otoguro 473/345

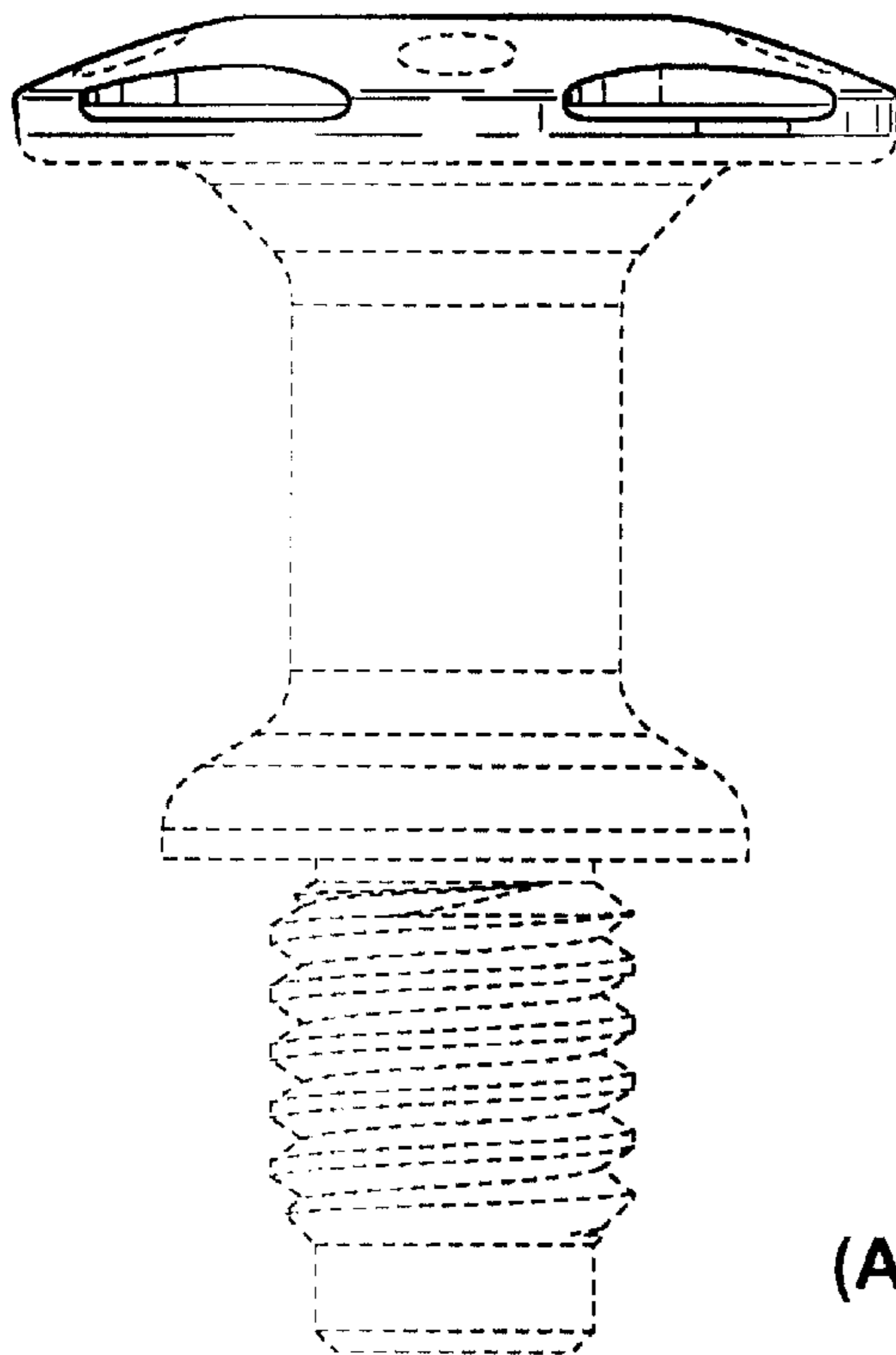
* cited by examiner



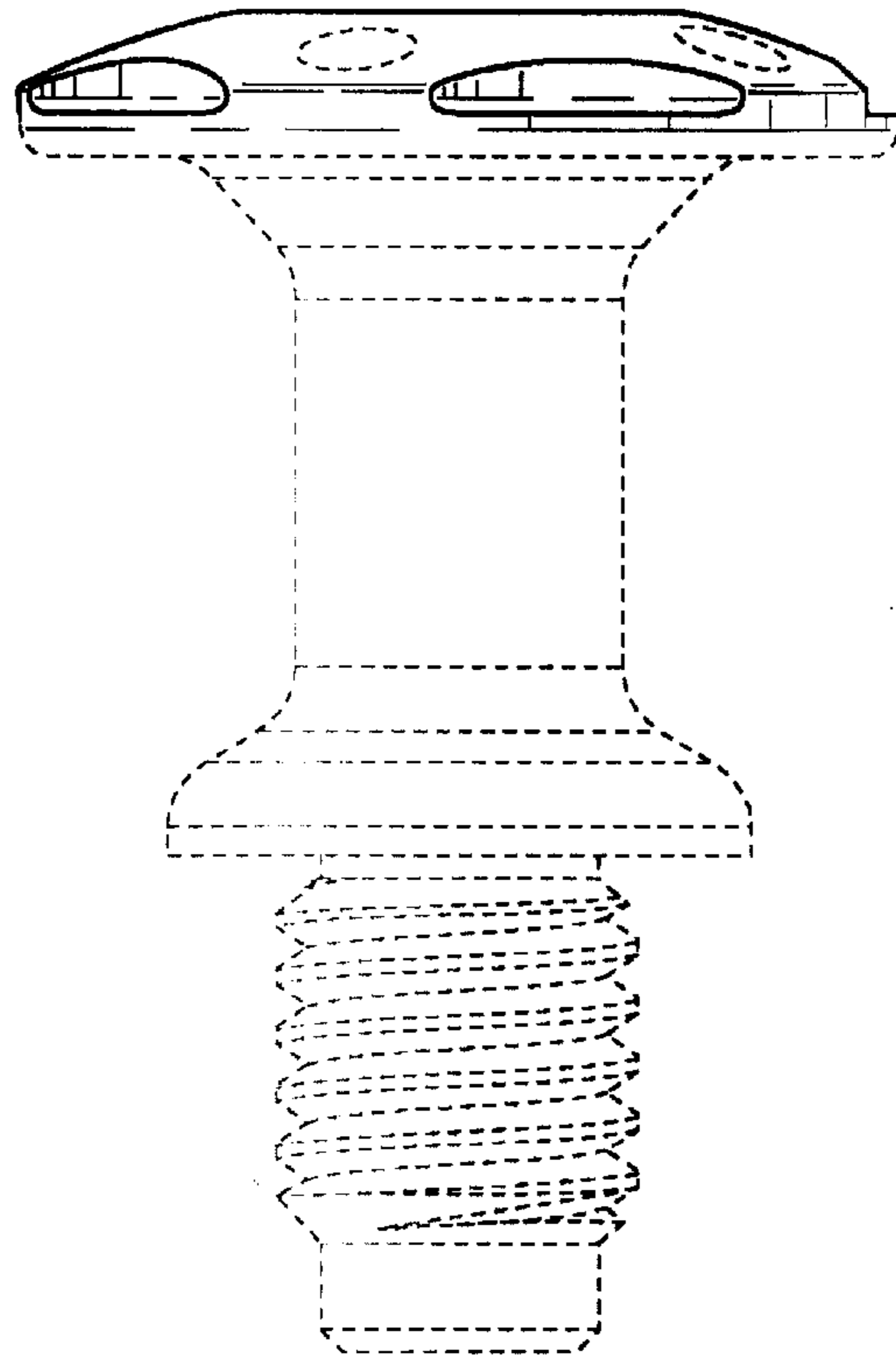
(AMENDED)
FIG. 1



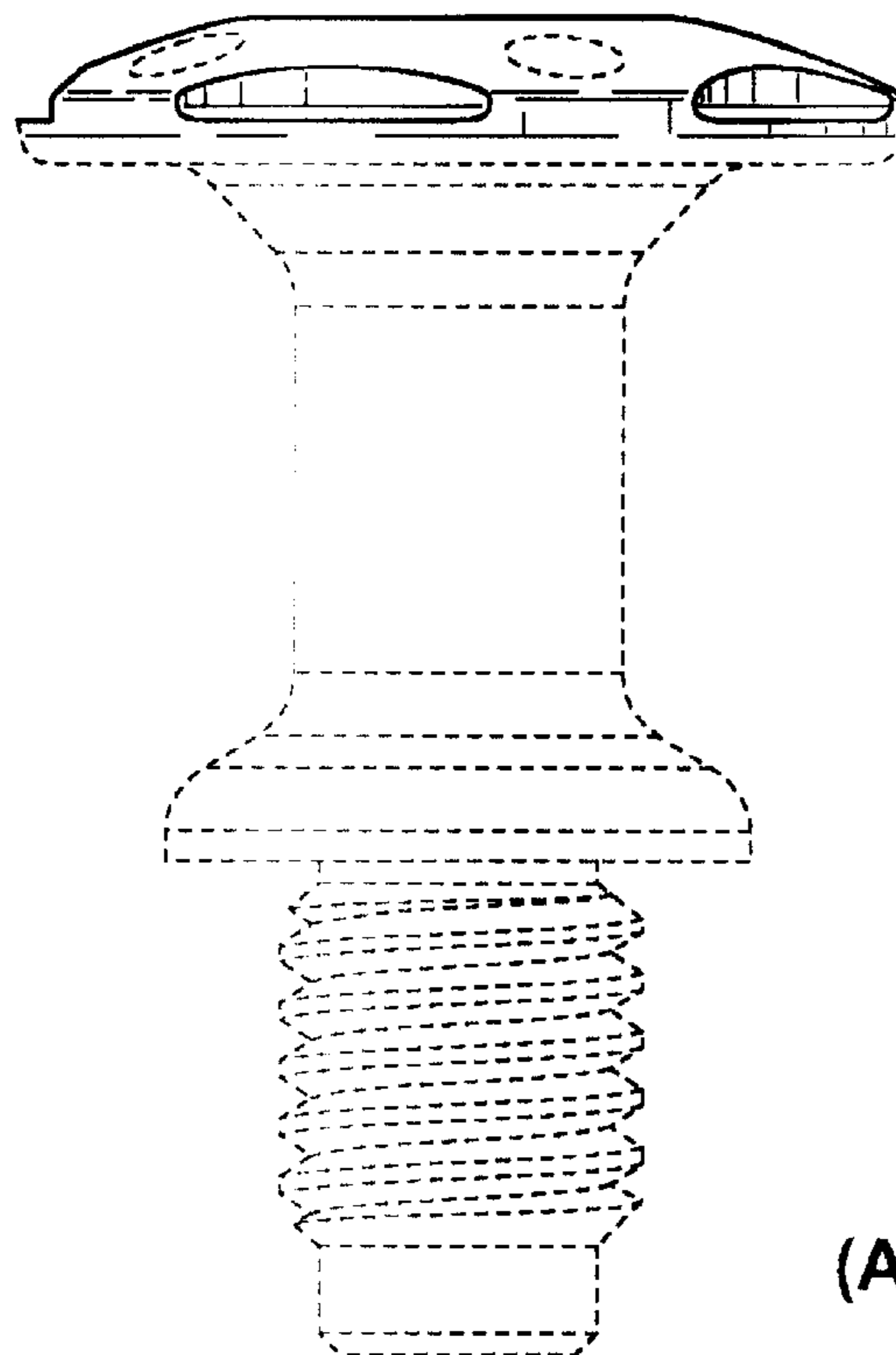
(AMENDED)
FIG. 2



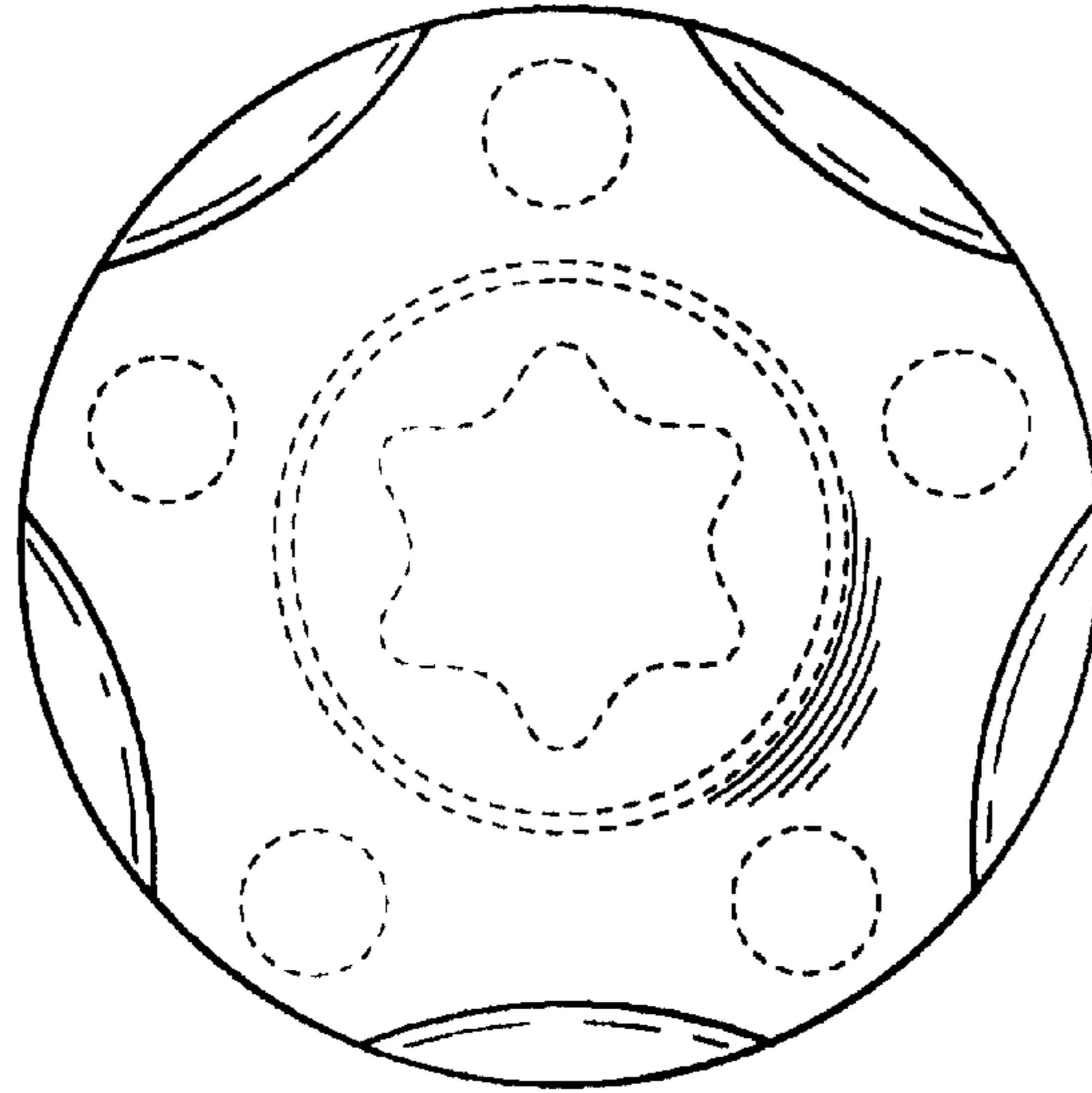
(AMENDED)
FIG. 3



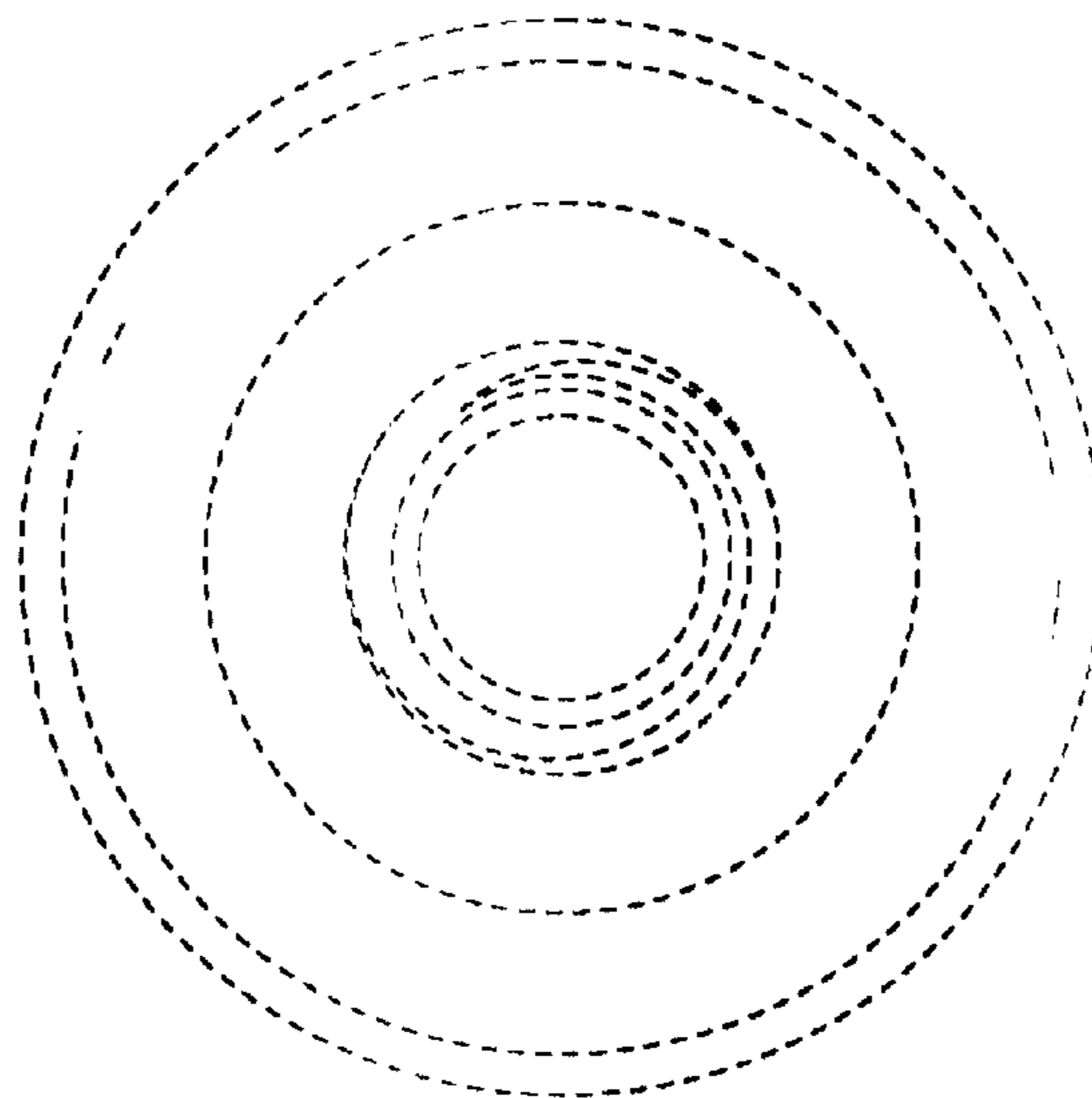
(AMENDED)
FIG. 4



(AMENDED)
FIG. 5



(AMENDED)
FIG. 6



(AMENDED)
FIG. 7