



US00RE41067E

(19) **United States**
(12) **Reissued Patent**
Capella

(10) **Patent Number:** **US RE41,067 E**
(45) **Date of Reissued Patent:** **Jan. 5, 2010**

(54) **SWITCH PLATE FRAME**
(75) Inventor: **Joaquin Aubert Capella**, Barcelona (ES)
(73) Assignee: **Simon, S.A.**, Barcelona (ES)
(21) Appl. No.: **29/210,607**
(22) Filed: **Aug. 3, 2004**

Related U.S. Patent Documents

Reissue of:
(64) Patent No.: **Des. 461,114**
Issued: **Aug. 6, 2002**
Appl. No.: **29/152,465**
Filed: **Dec. 19, 2001**

U.S. Applications:
(62) Division of application No. 29/139,867, filed on Apr. 6, 2001.

(30) **Foreign Application Priority Data**
Oct. 6, 2000 (ES) 149529

(51) **LOC (9) Cl.** **11-05**
(52) **U.S. Cl.** **D8/353; D6/301; D6/300**
(58) **Field of Classification Search** D8/350-353;
D13/177; D6/300, 301, 303, 309; 220/241;
174/66; 16/402

See application file for complete search history.

(56) **References Cited**

U.S. PATENT DOCUMENTS

3,689,868 A * 9/1972 Snyder 439/501
5,073,681 A * 12/1991 Hubben et al. 174/66
D340,718 S * 10/1993 Leger et al. D14/224
D379,453 S * 5/1997 Fabrizi D13/177
D430,478 S * 9/2000 De brey et al. D8/353
6,281,440 B1 * 8/2001 Baldwin et al. 174/66

* cited by examiner

Primary Examiner—Stella W Reid
Assistant Examiner—Mark Goodwin
(74) *Attorney, Agent, or Firm*—Michael J. Striker

(57) **CLAIM**

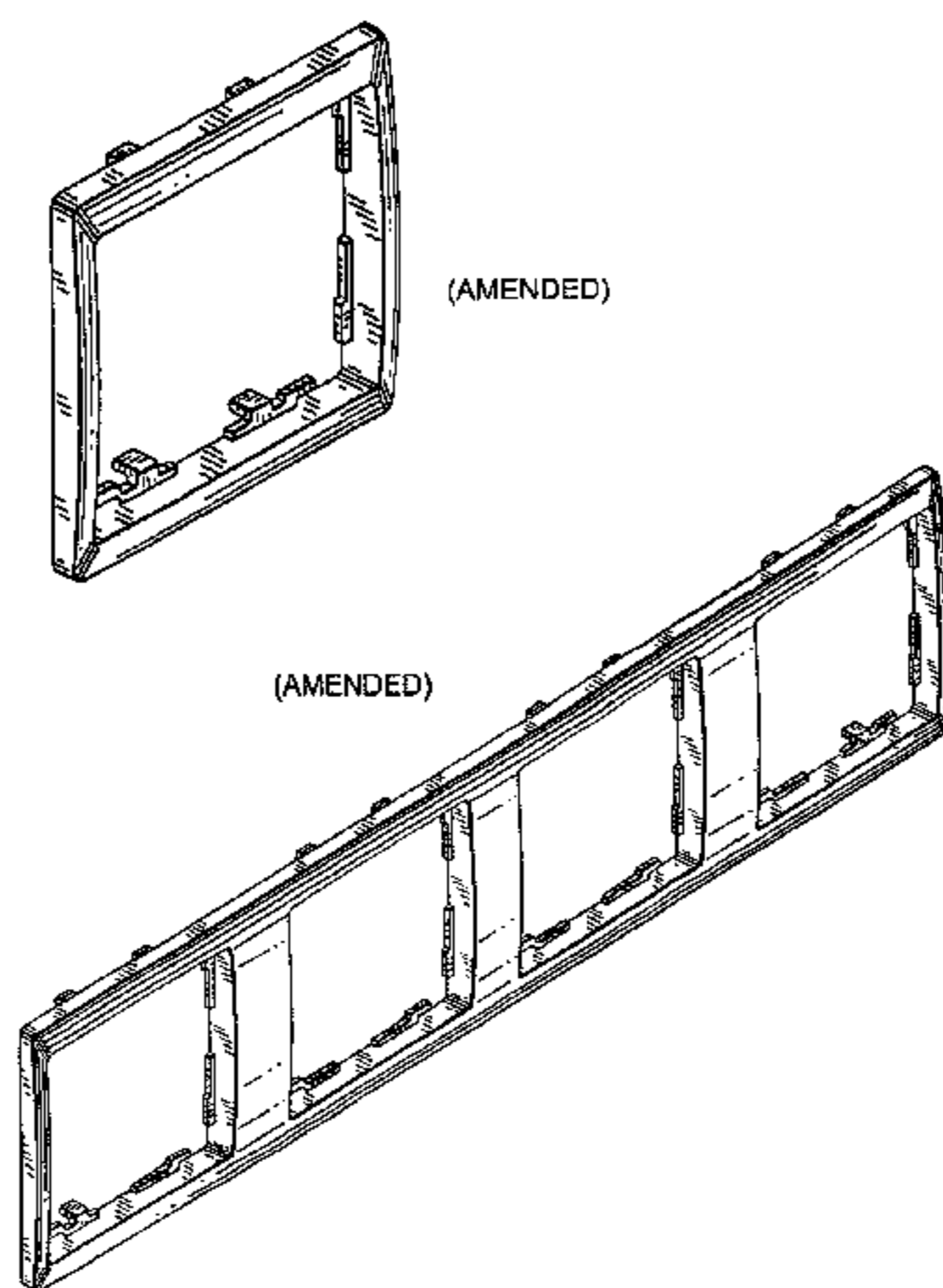
The ornamental design for a switch plate, as shown and described.

DESCRIPTION

FIG. 1 is a top front and left side perspective view of [an inner frame for a single switch plate] *a switch plate frame showing my new design*;
FIG. 2 is a front view thereof;
FIG. 3 is a top plan view thereof;
FIG. 4 is a right side view thereof [which is a mirror image of the left side] *the left side view being a mirror image thereof*;
FIG. 5 is a rear view thereof;
FIG. 6 is a bottom plan view thereof;
FIG. 7 is a top front and left side perspective view of [an inner frame for a double switch plate] *a second embodiment of a switch plate frame showing my new design*;
FIG. 8 is a front view thereof;
FIG. 9 is a top plan view thereof;
FIG. 10 is a right side view thereof [which is a mirror image of the left side] *the left side view being a mirror image thereof*;
FIG. 11 is a rear view thereof;
FIG. 12 is a bottom plan view thereof;
FIG. 13 is a top front and left side perspective view of [an inner frame for a triple switch plate] *a third embodiment of a switch plate frame showing my new design*;
FIG. 14 is a front view thereof;
FIG. 15 is a top plan view thereof;
FIG. 16 is a right side view thereof [which is a mirror image of the left side] *the left side view being a mirror image thereof*;
FIG. 17 is a rear view thereof;
FIG. 18 is a bottom plan view thereof;
FIG. 19 is a top front and left side perspective view of [an inner frame for a quadruple switch plate] *a fourth embodiment of a switch plate frame showing my new design*;
FIG. 20 is a front view thereof;
FIG. 21 is a top plan view thereof;
FIG. 22 is a right side view thereof [which is a mirror image of the left side] *the left side view being a mirror image thereof*;
FIG. 23 is a rear view thereof; and,
FIG. 24 is a bottom plan view thereof.

1 Claim, 11 Drawing Sheets

Matter enclosed in heavy brackets [] appears in the original patent, but forms no part of this reissue; matter printed in italics indicates the additions made by reissue.



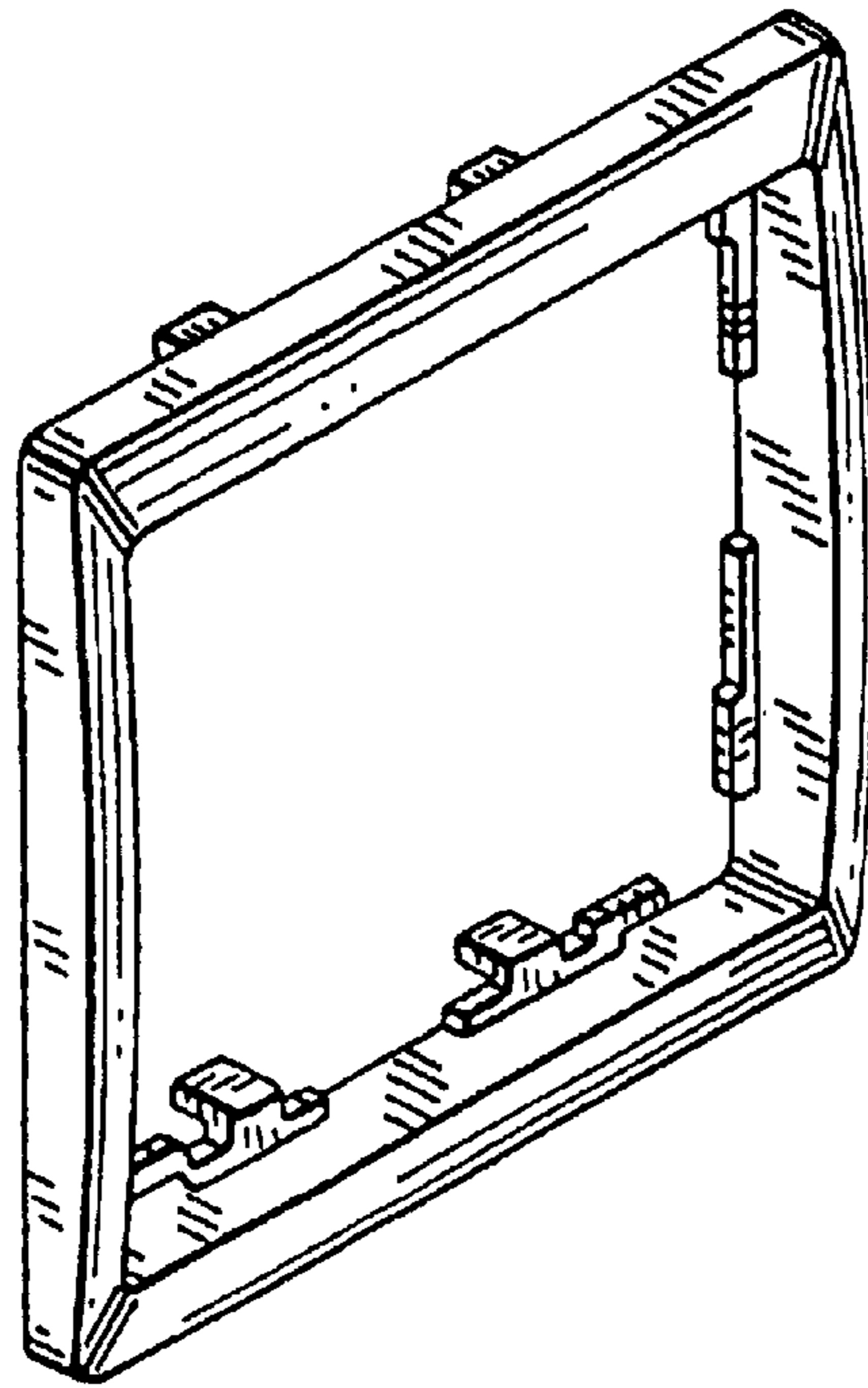


FIG. 1
(AMENDED)

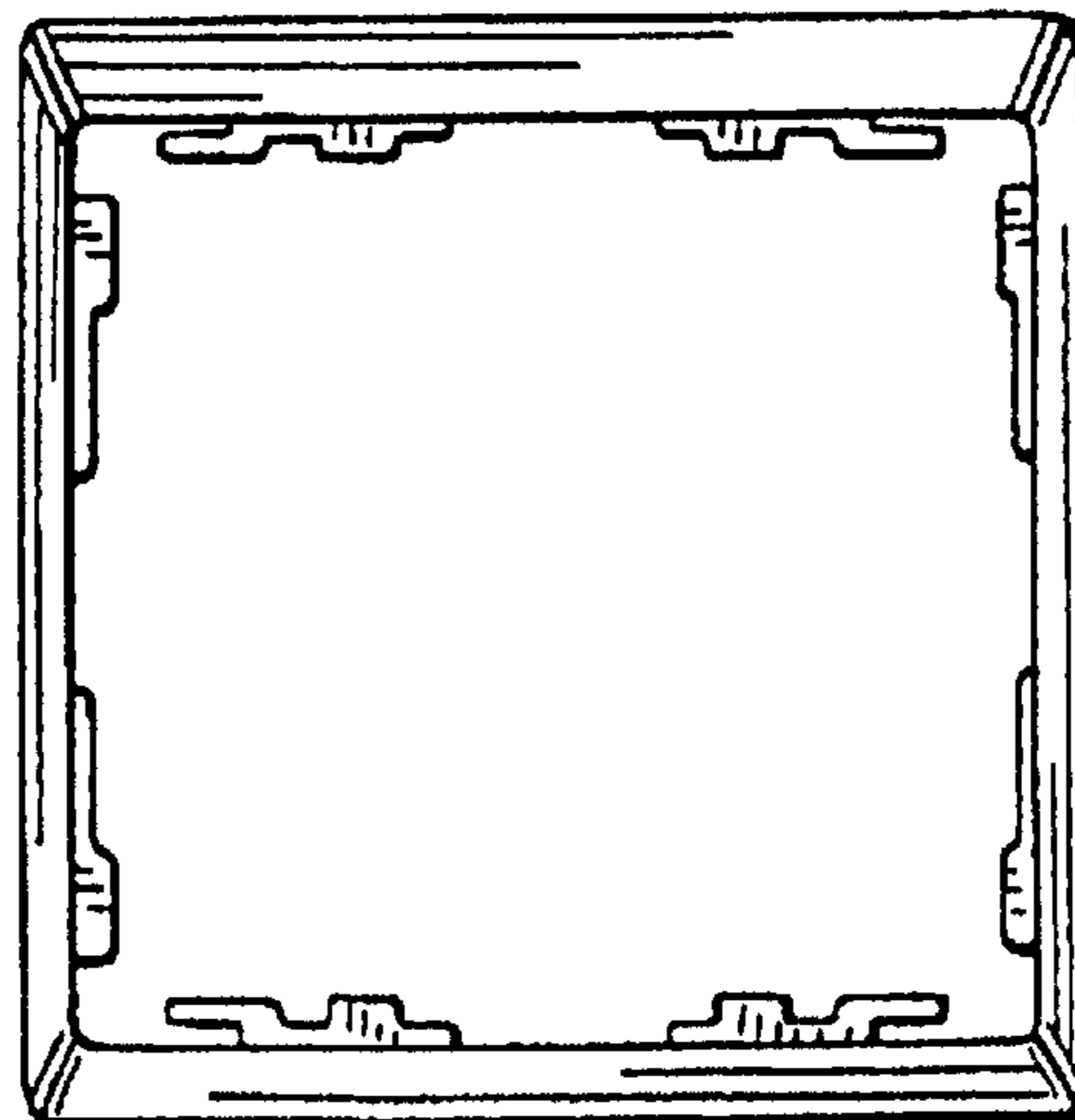


FIG. 2
(AMENDED)

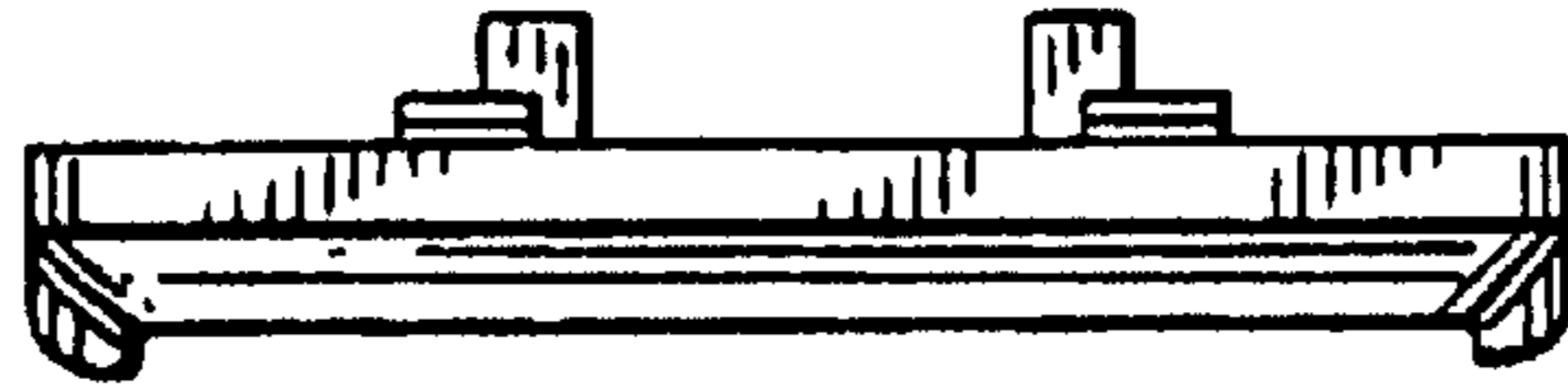


FIG. 3
(AMENDED)

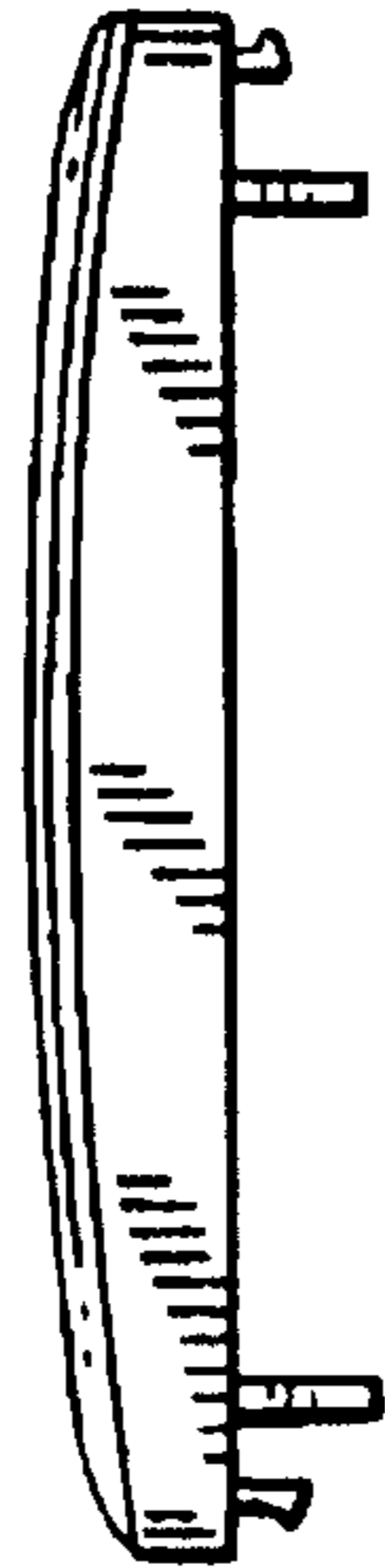


FIG. 4
(AMENDED)

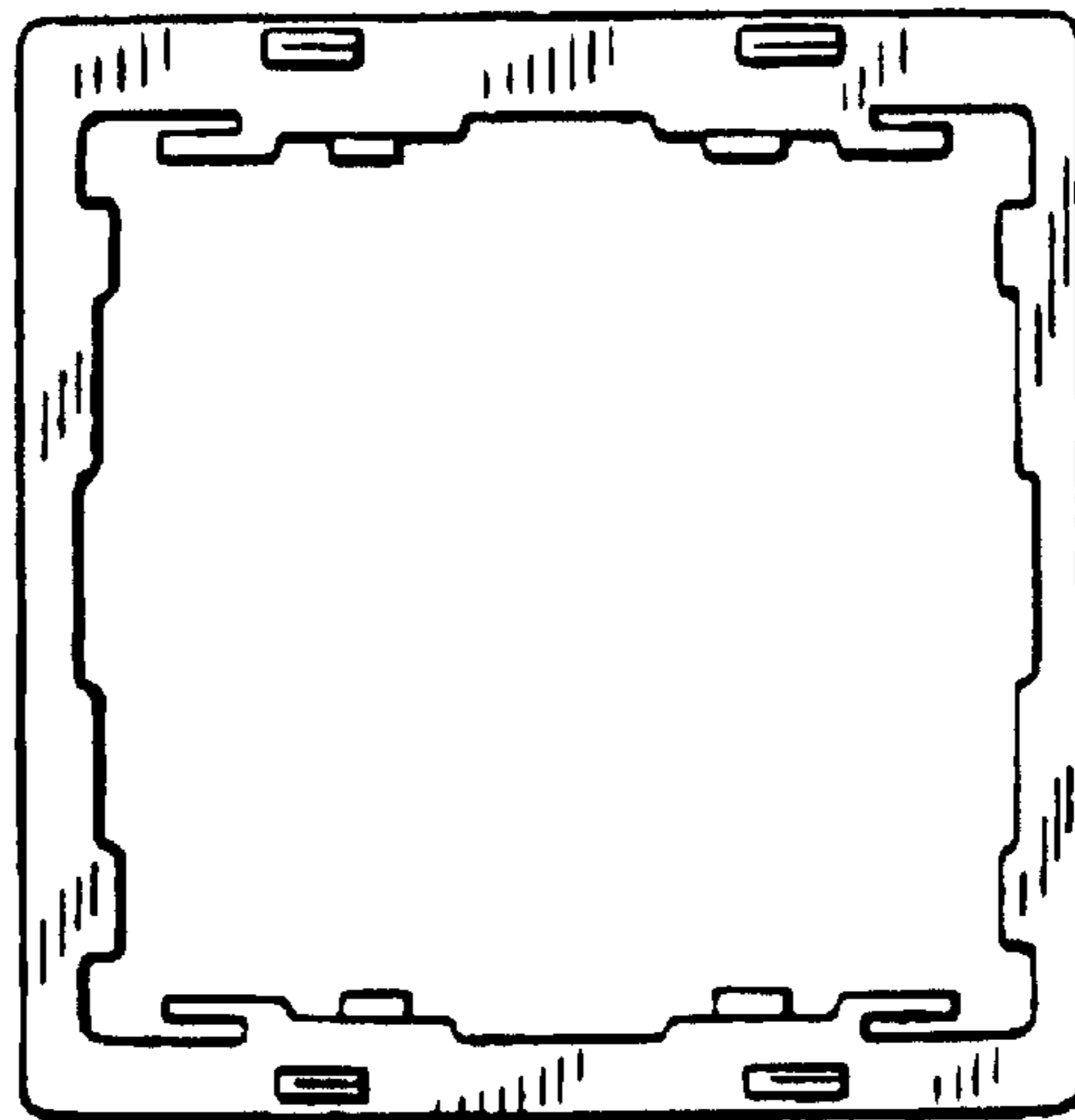


FIG. 5
(AMENDED)



FIG. 6
(AMENDED)

FIG. 7
(AMENDED)

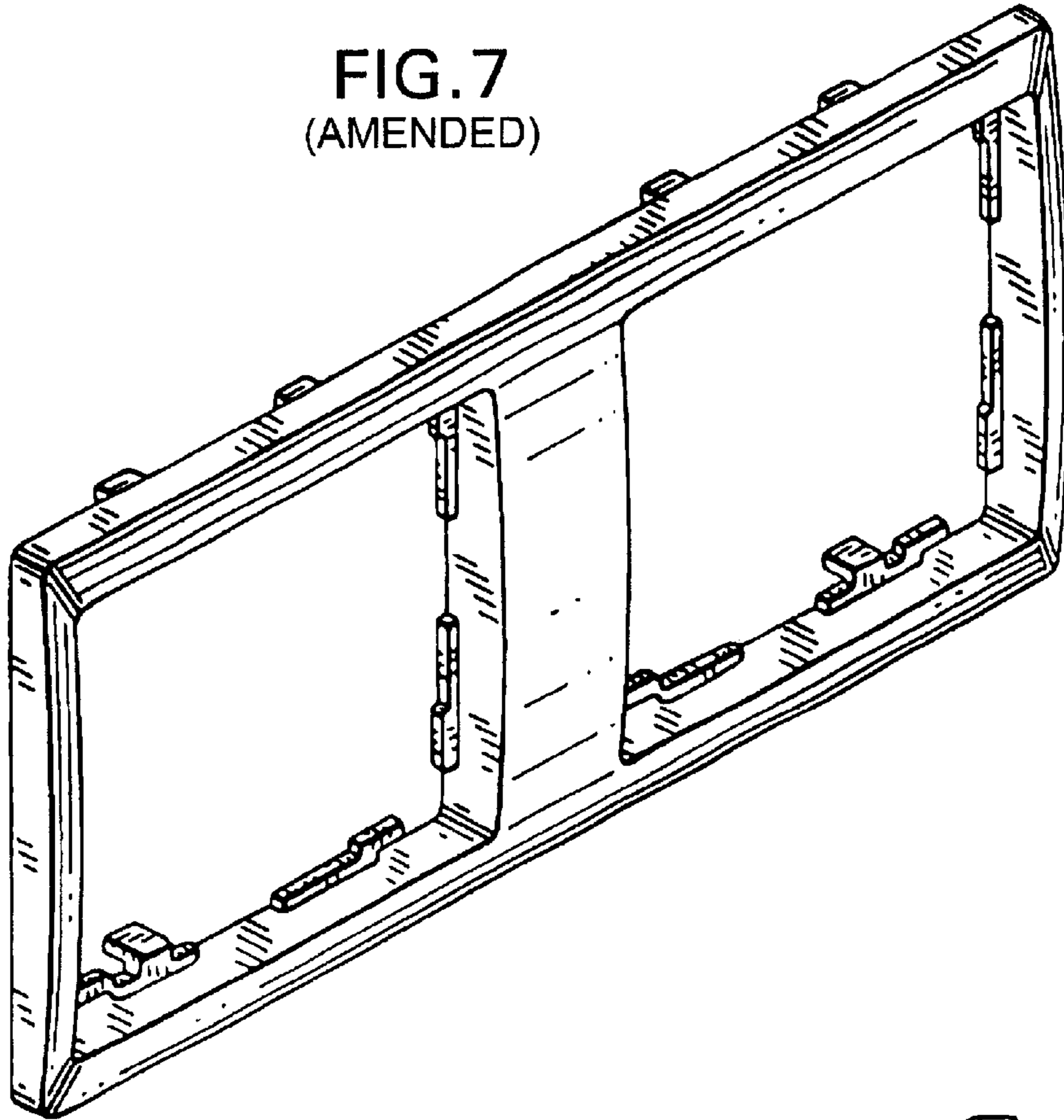


FIG. 10
(AMENDED)



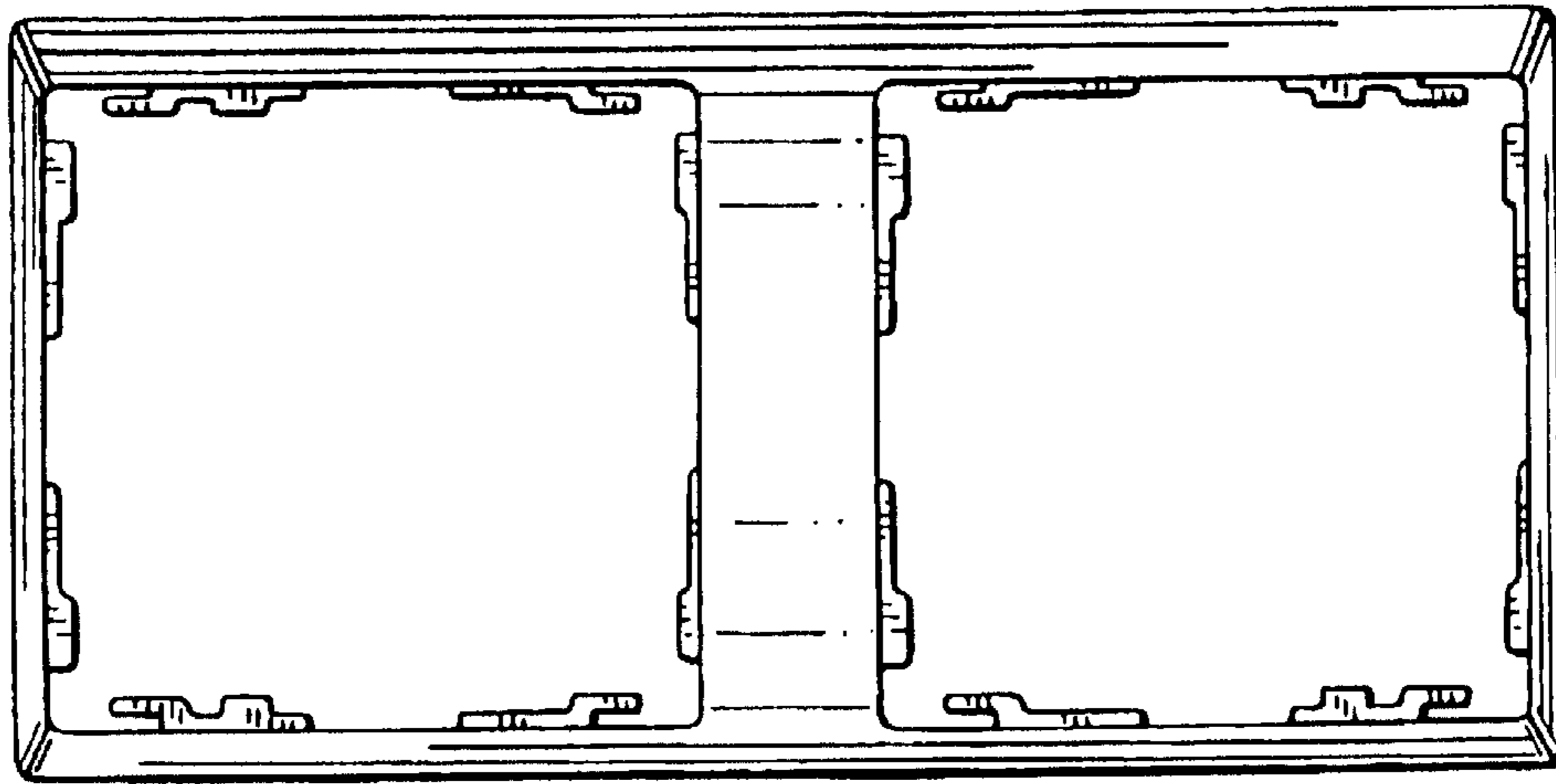


FIG. 8
(AMENDED)

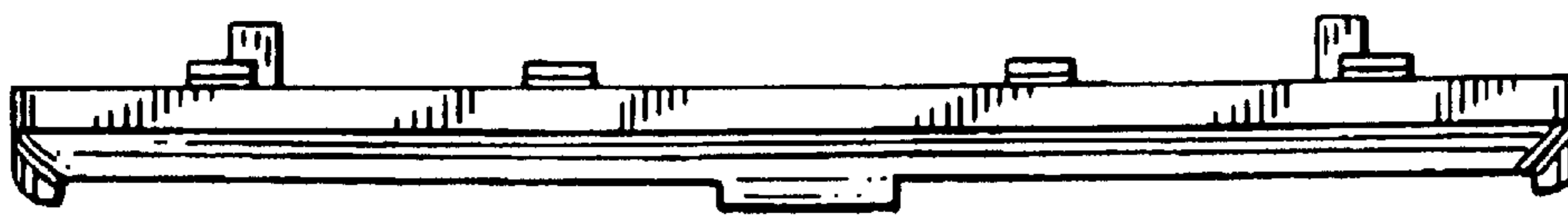


FIG. 9
(AMENDED)

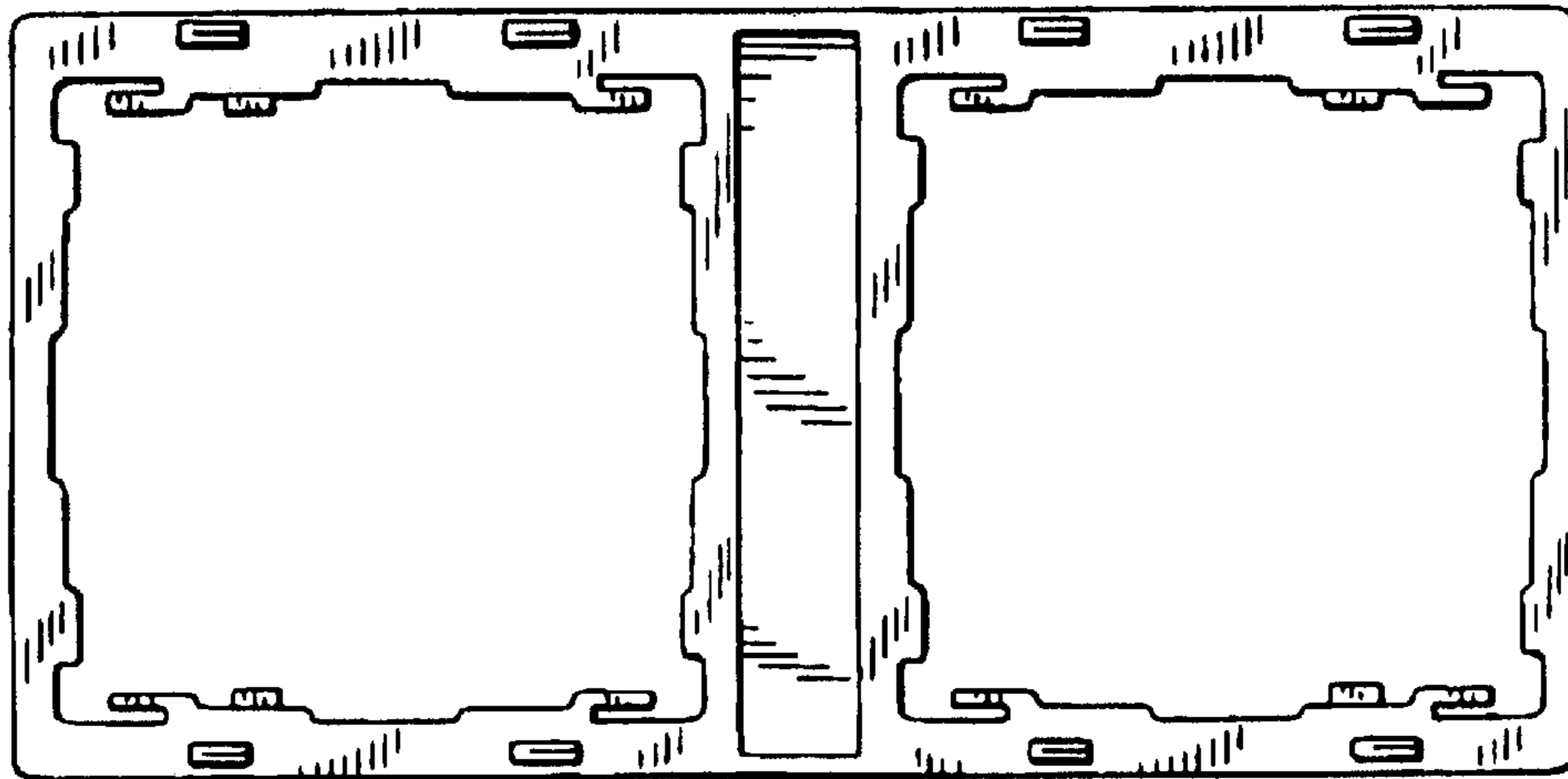


FIG. 11
(AMENDED)

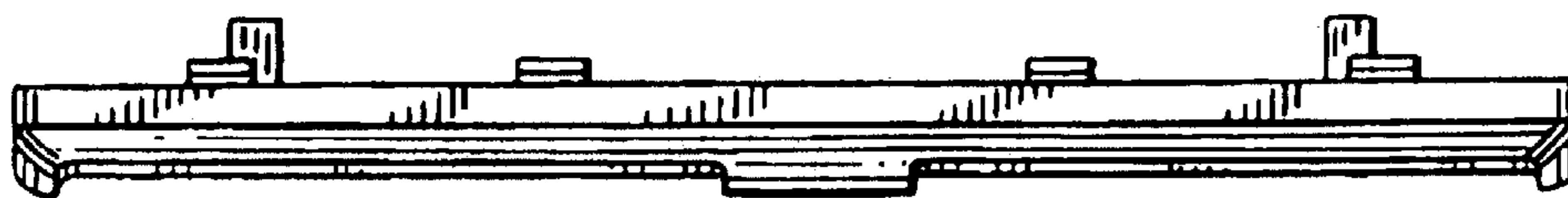


FIG. 12
(AMENDED)

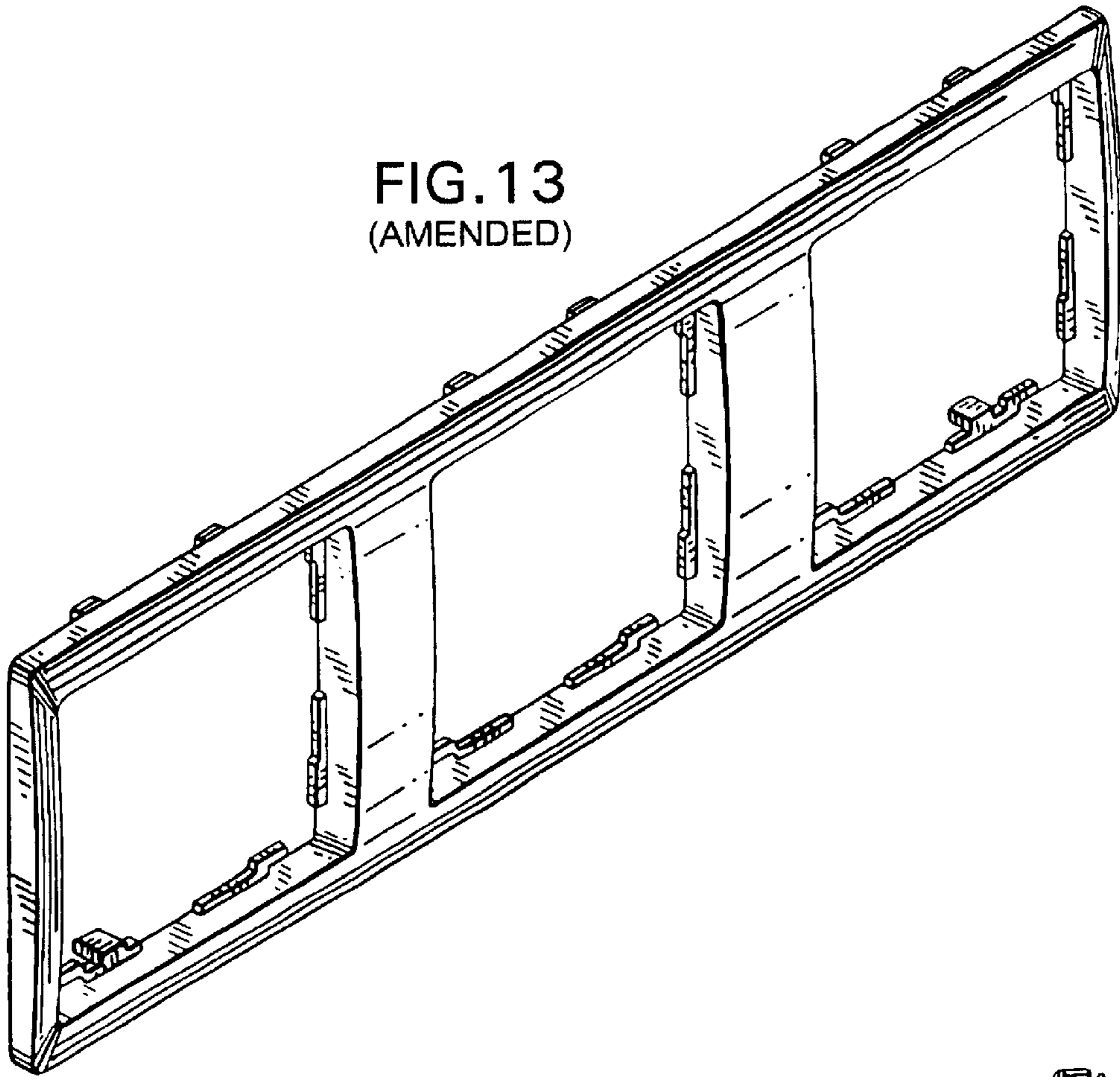


FIG. 13
(AMENDED)



FIG. 16
(AMENDED)

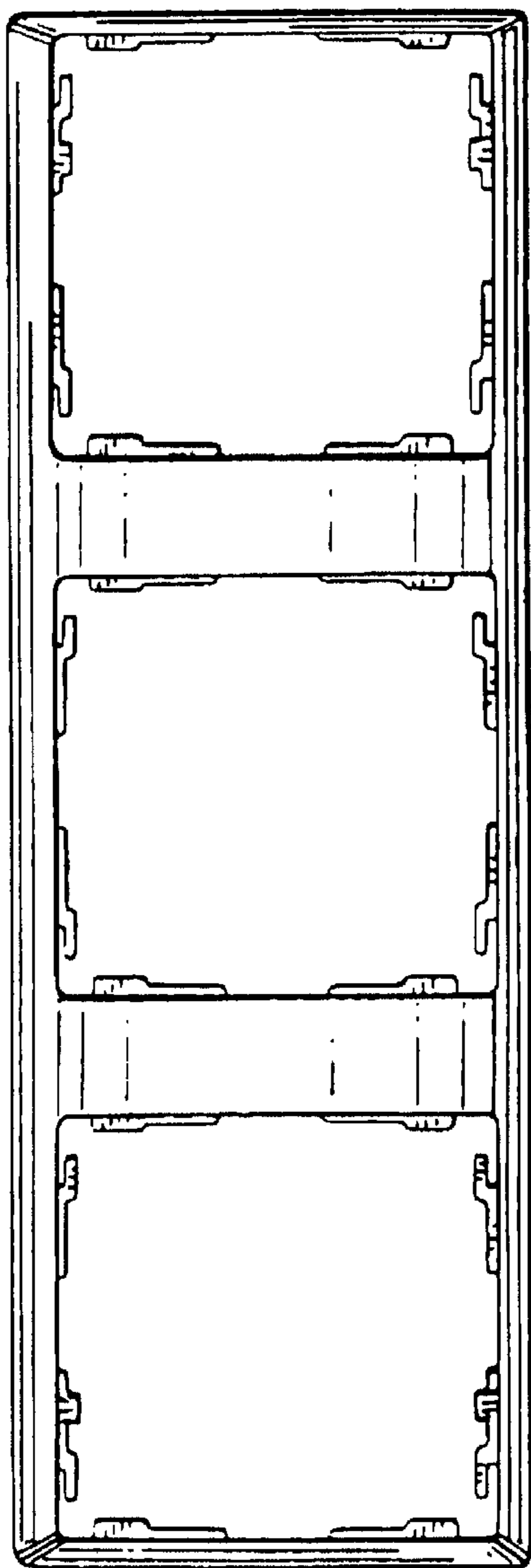


FIG. 14
(AMENDED)



FIG. 15
(AMENDED)

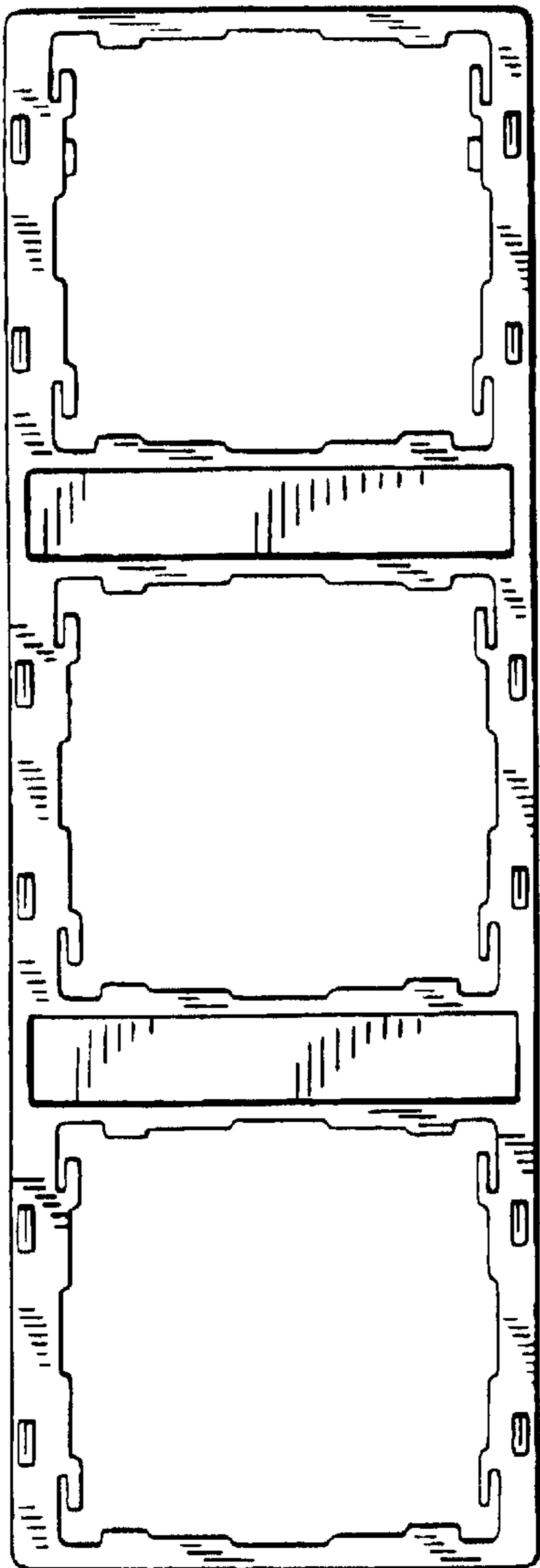


FIG. 17
(AMENDED)

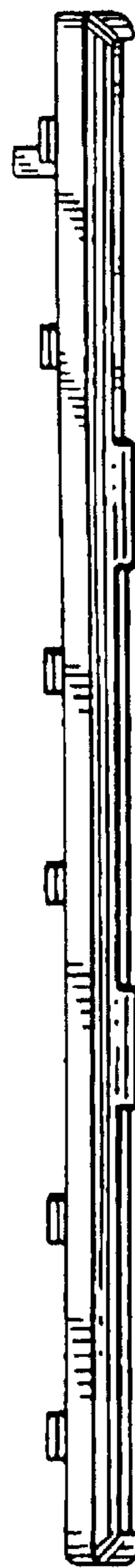


FIG. 18
(AMENDED)

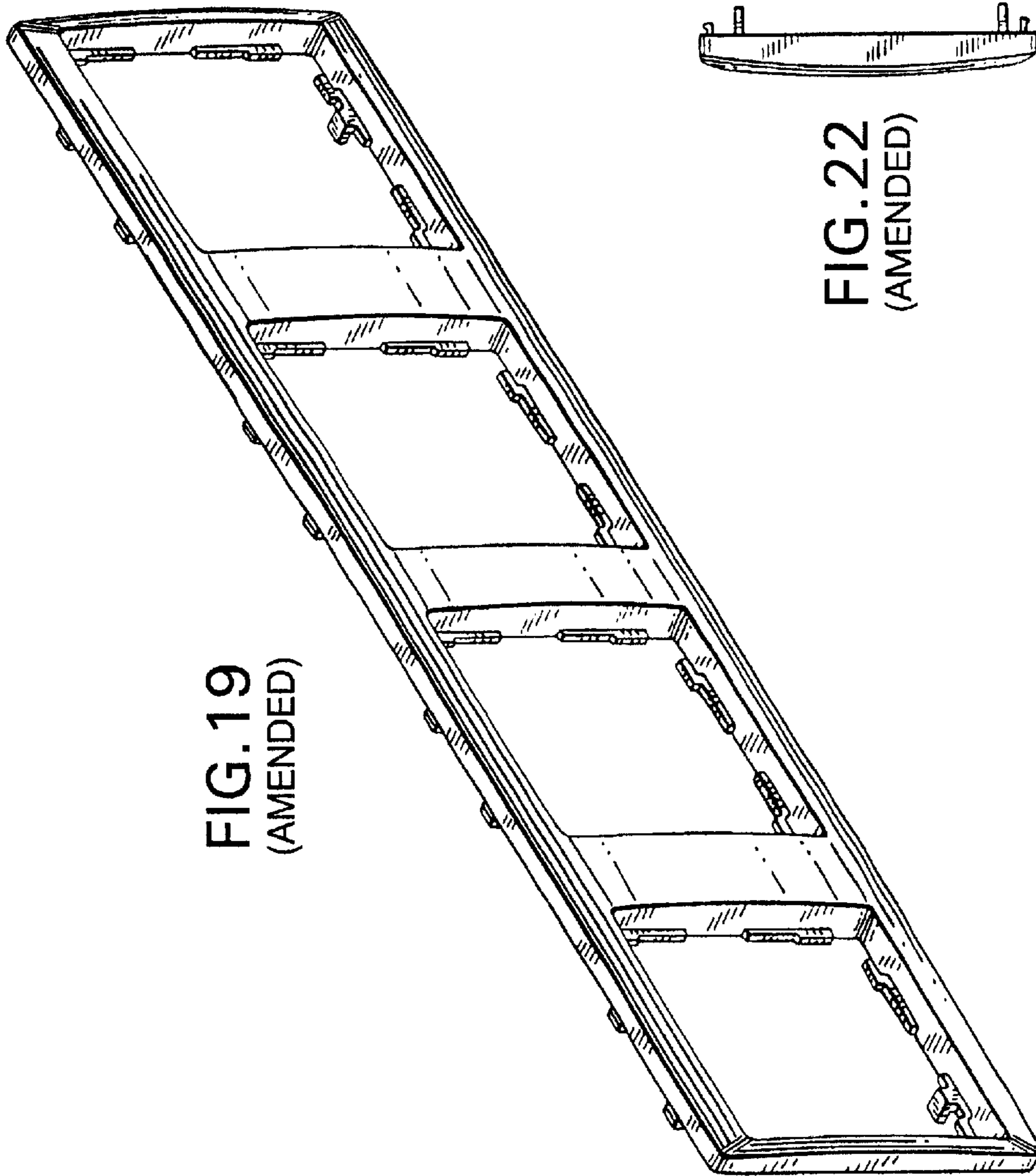


FIG. 19
(AMENDED)

FIG. 22
(AMENDED)

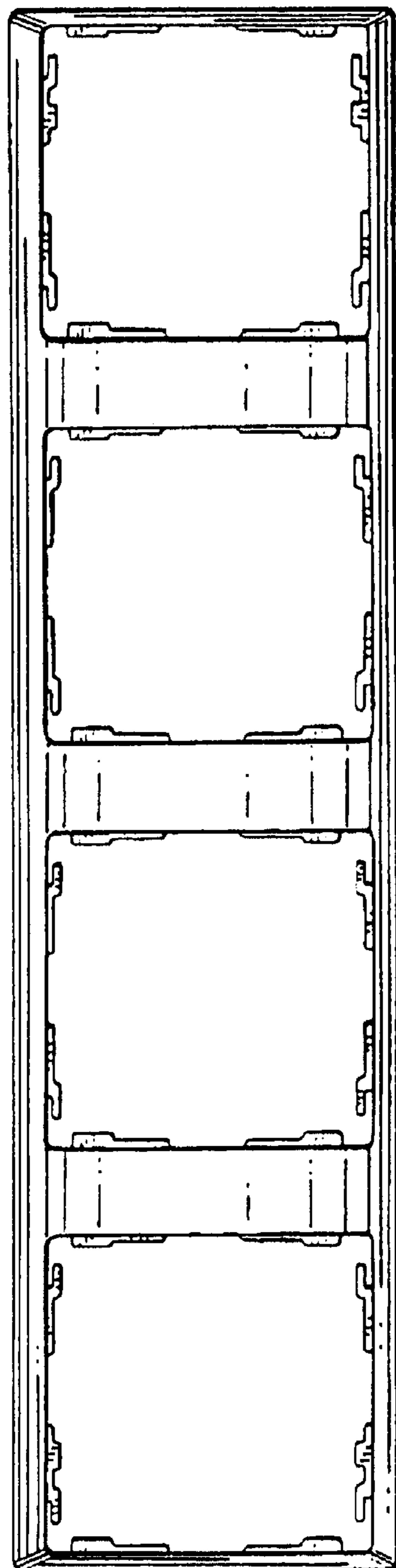


FIG. 20
(AMENDED)



FIG. 21
(AMENDED)

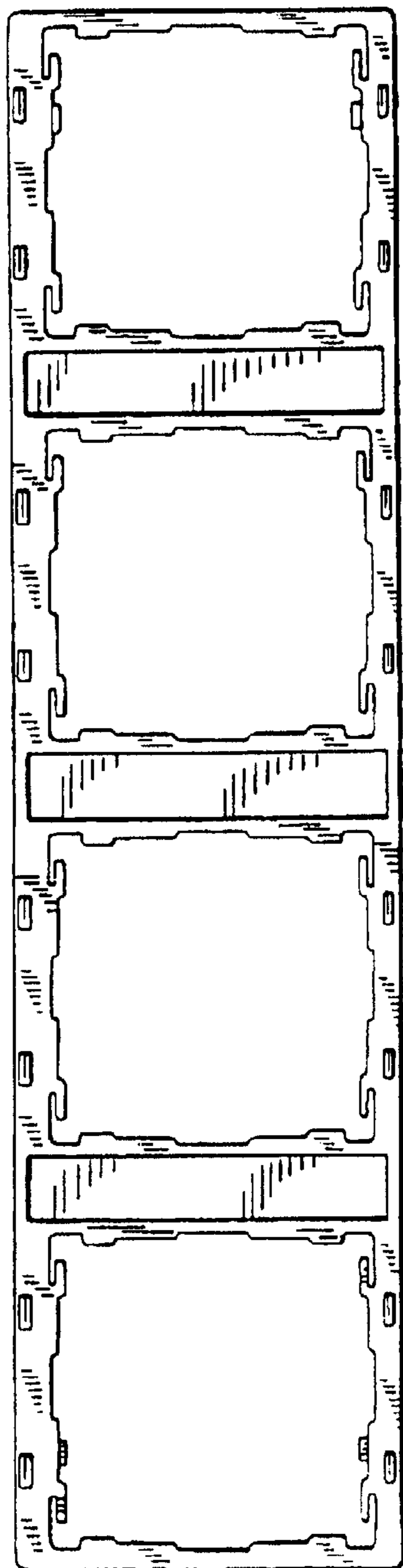


FIG. 23
(AMENDED)



FIG. 24
(AMENDED)