



US00RE41054E

(19) **United States**
(12) **Reissued Patent**
Nakagawa

(10) **Patent Number:** **US RE41,054 E**
(45) **Date of Reissued Patent:** **Dec. 29, 2009**

(54) **CONTACT LENS CONTAINER**

(75) Inventor: **Makoto Nakagawa**, Nogoya (JP)

(73) Assignee: **Menicon Co., Ltd.** (JP)

(21) Appl. No.: **29/263,544**

(22) Filed: **Jul. 25, 2006**

Related U.S. Patent Documents

Reissue of:

(64) Patent No.: **Des. 518,292**
Issued: **Apr. 4, 2006**
Appl. No.: **29/197,213**
Filed: **Jan. 9, 2004**

(51) **LOC (9) Cl.** **03-01**

(52) **U.S. Cl.** **D3/264; D3/263**

(58) **Field of Classification Search** D3/219,
D3/263, 264, 265, 252; 206/5, 5.1, 6
See application file for complete search history.

(56) **References Cited**

U.S. PATENT DOCUMENTS

D212,480 S * 10/1968 Mead D30/114
D333,093 S * 2/1993 Rehrig et al. D9/456
D357,579 S * 4/1995 Abrams et al. D3/264
D458,023 S * 6/2002 Dzwill et al. D3/264
D485,452 S * 1/2004 Boron et al. D3/469

D496,790 S * 10/2004 Dzwill et al. D3/264

* cited by examiner

Primary Examiner—Celia A Murphy

(74) *Attorney, Agent, or Firm—Rossi, Kimms & McDowell LLP*

(57) **CLAIM**

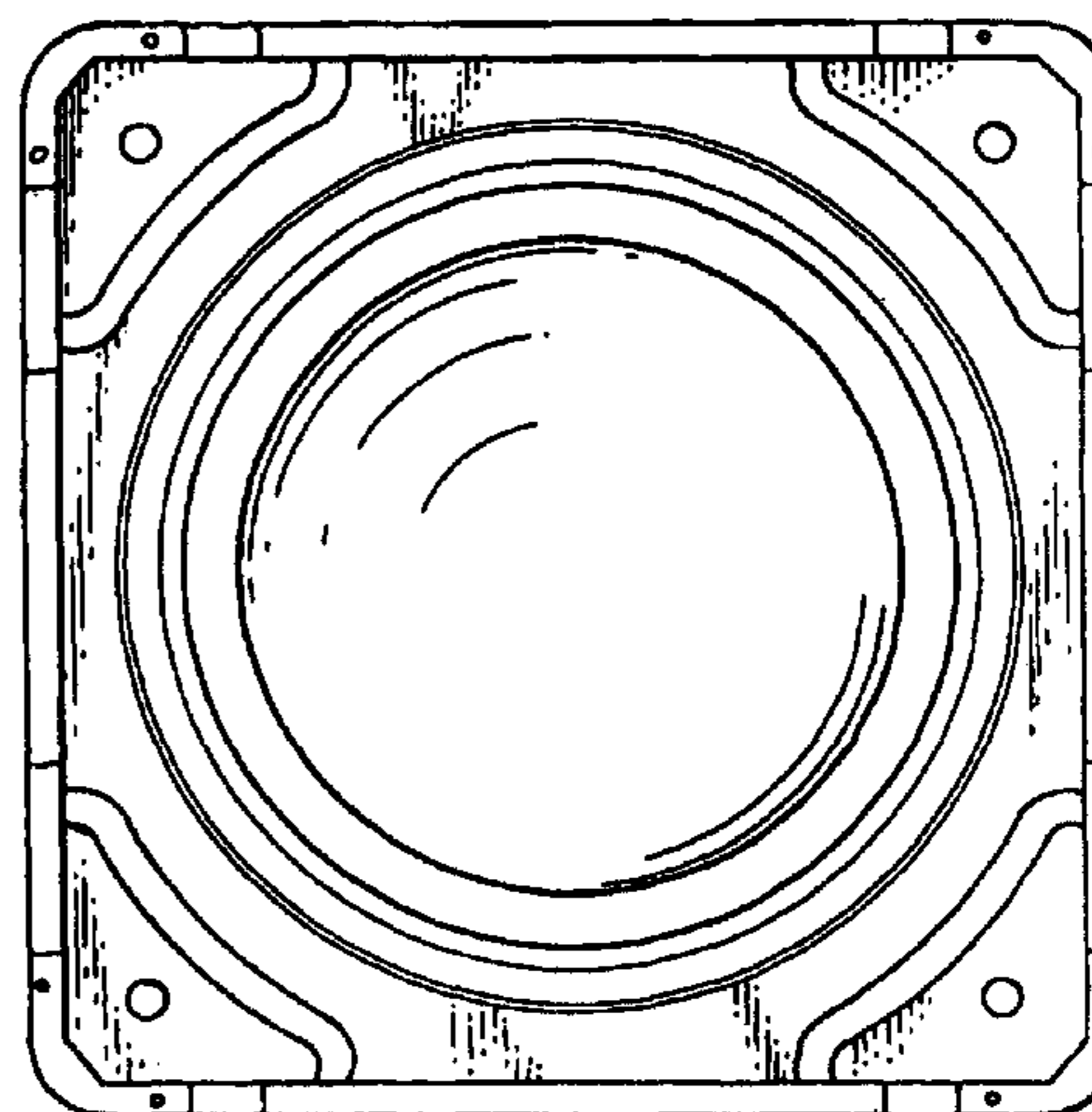
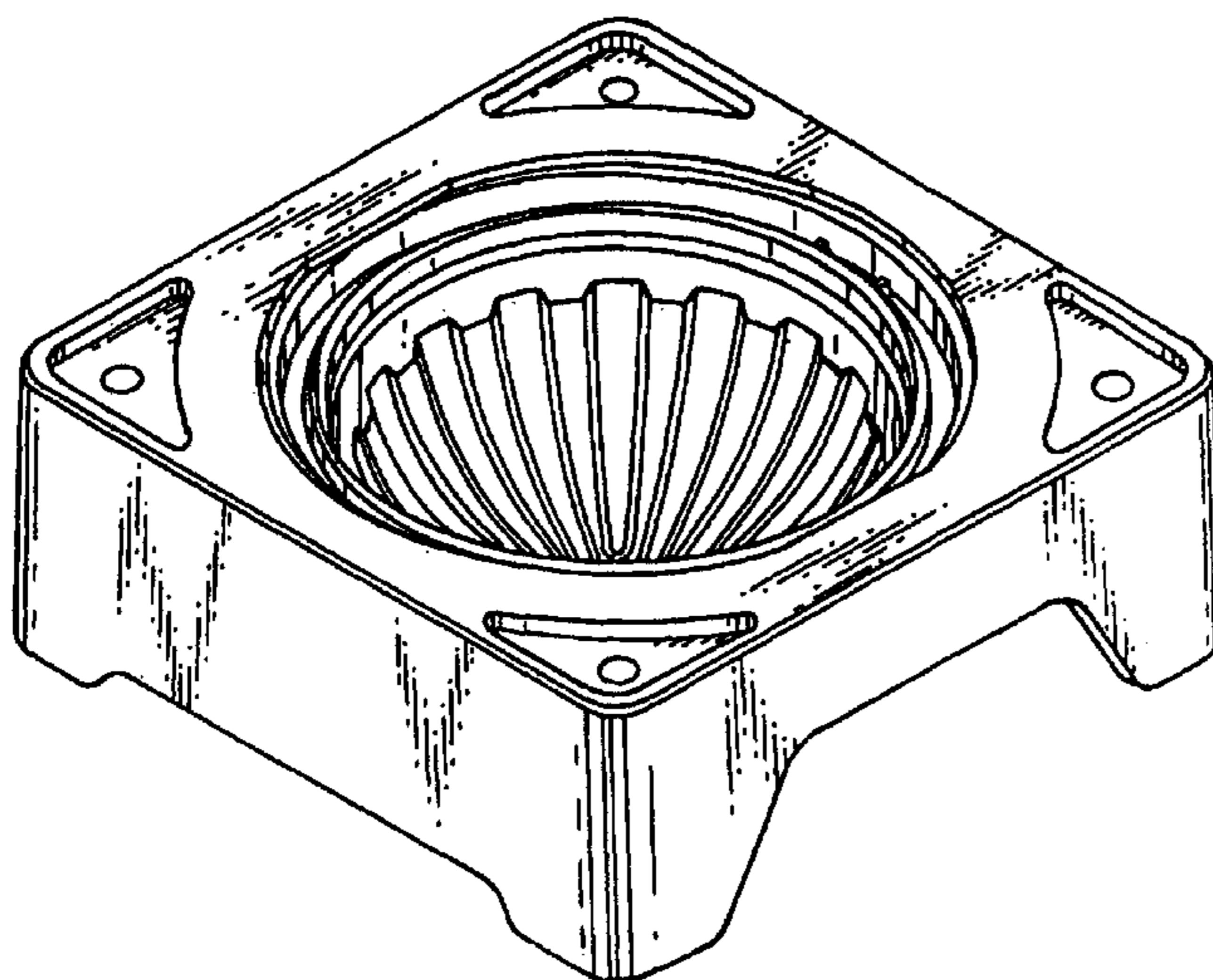
The ornamental design for a contact lens container [for use in a refrigerator], as shown and described.

DESCRIPTION

FIG. 1 is a top perspective view of a contact lens container [for use in a refrigerator] showing my new design; FIG. 2 is a front elevational view thereof, the rear side elevation being a mirror image; FIG. 3 is a right side elevational view thereof, the left side elevation being a mirror image; FIG. 4 is a top plane view thereof; FIG. 5 is a bottom plane view thereof; and, FIG. 6 is a cross sectional view taken along line 6—6 of FIG 4.

1 Claim, 3 Drawing Sheets

Matter enclosed in heavy brackets [] appears in the original patent, but forms no part of this reissue; matter printed in italics indicates the additions made by reissue.



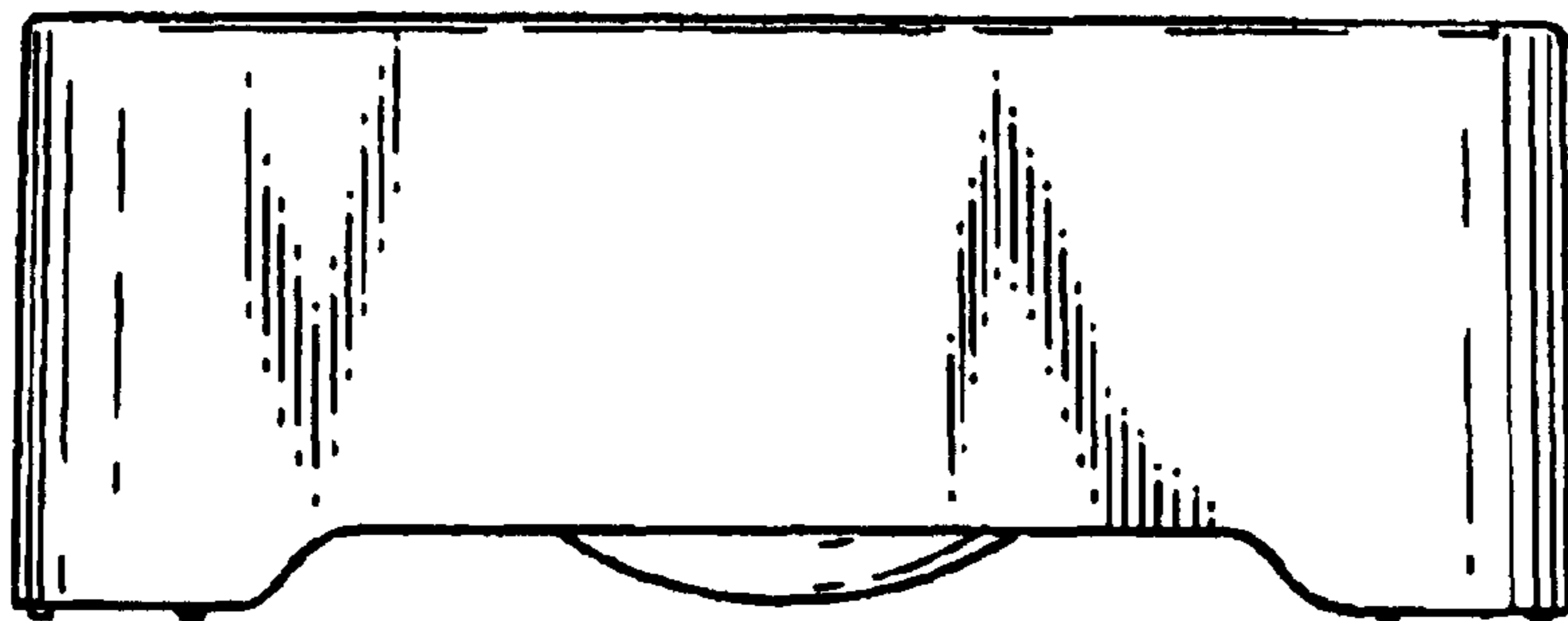
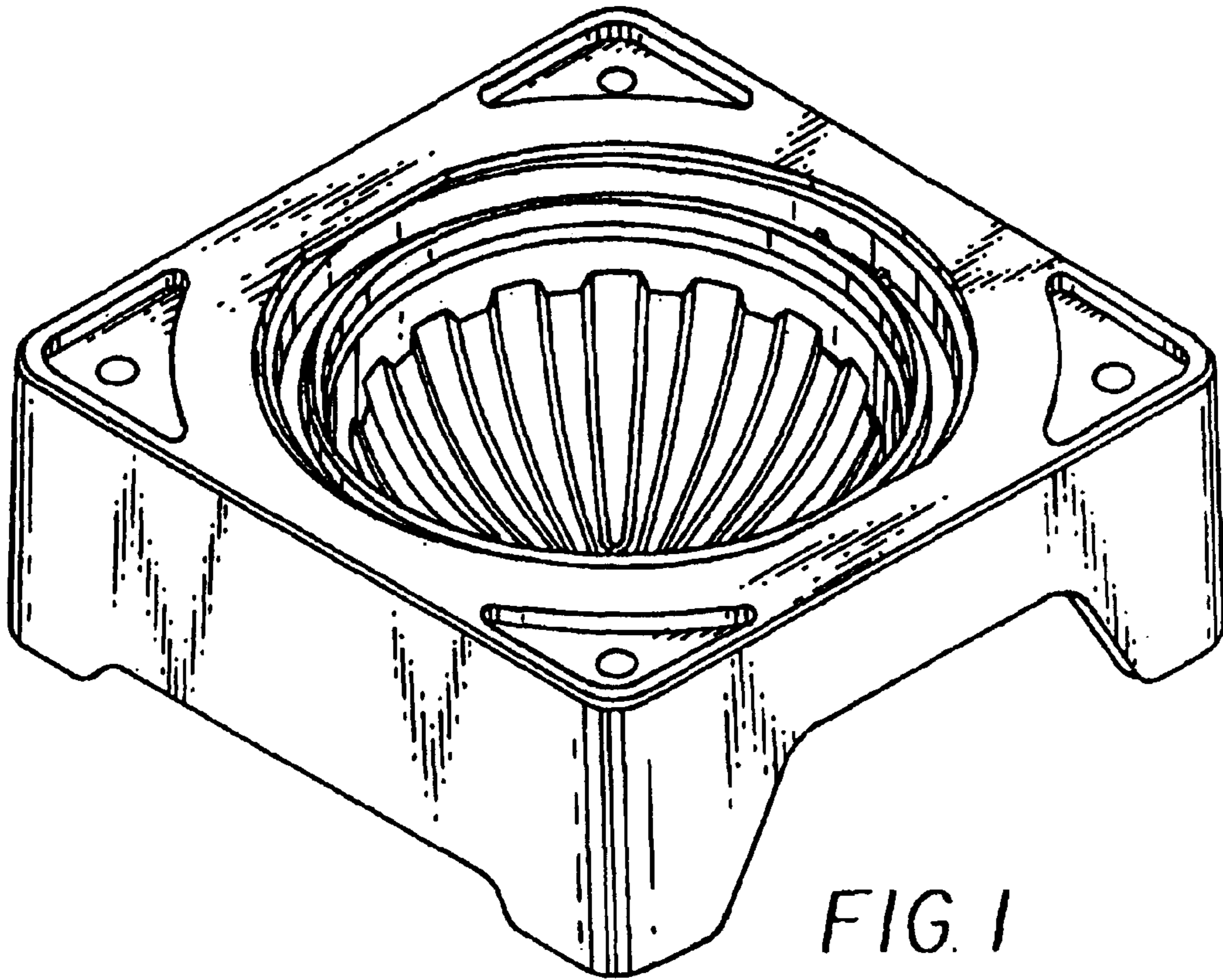




FIG. 3

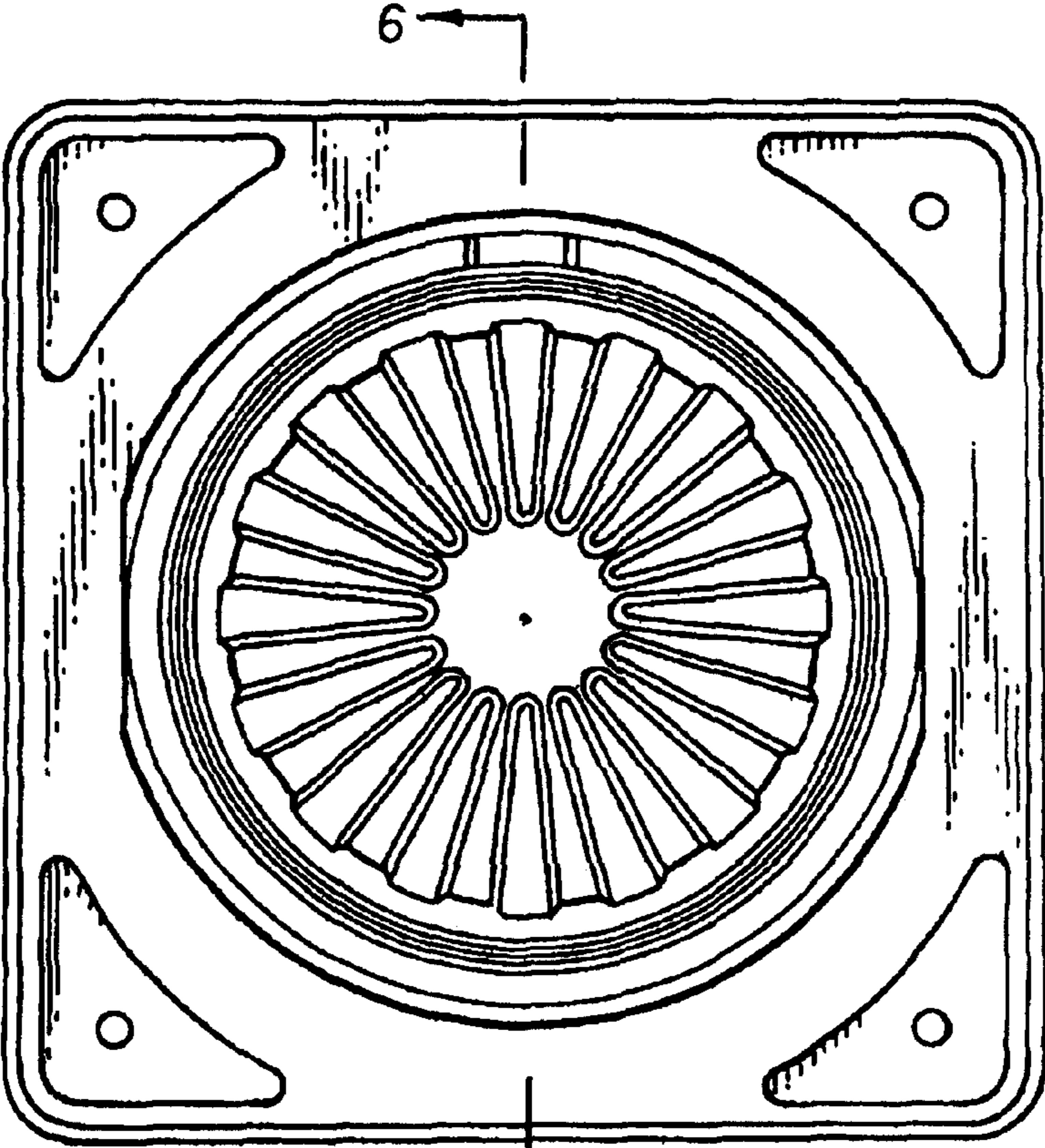


FIG. 4

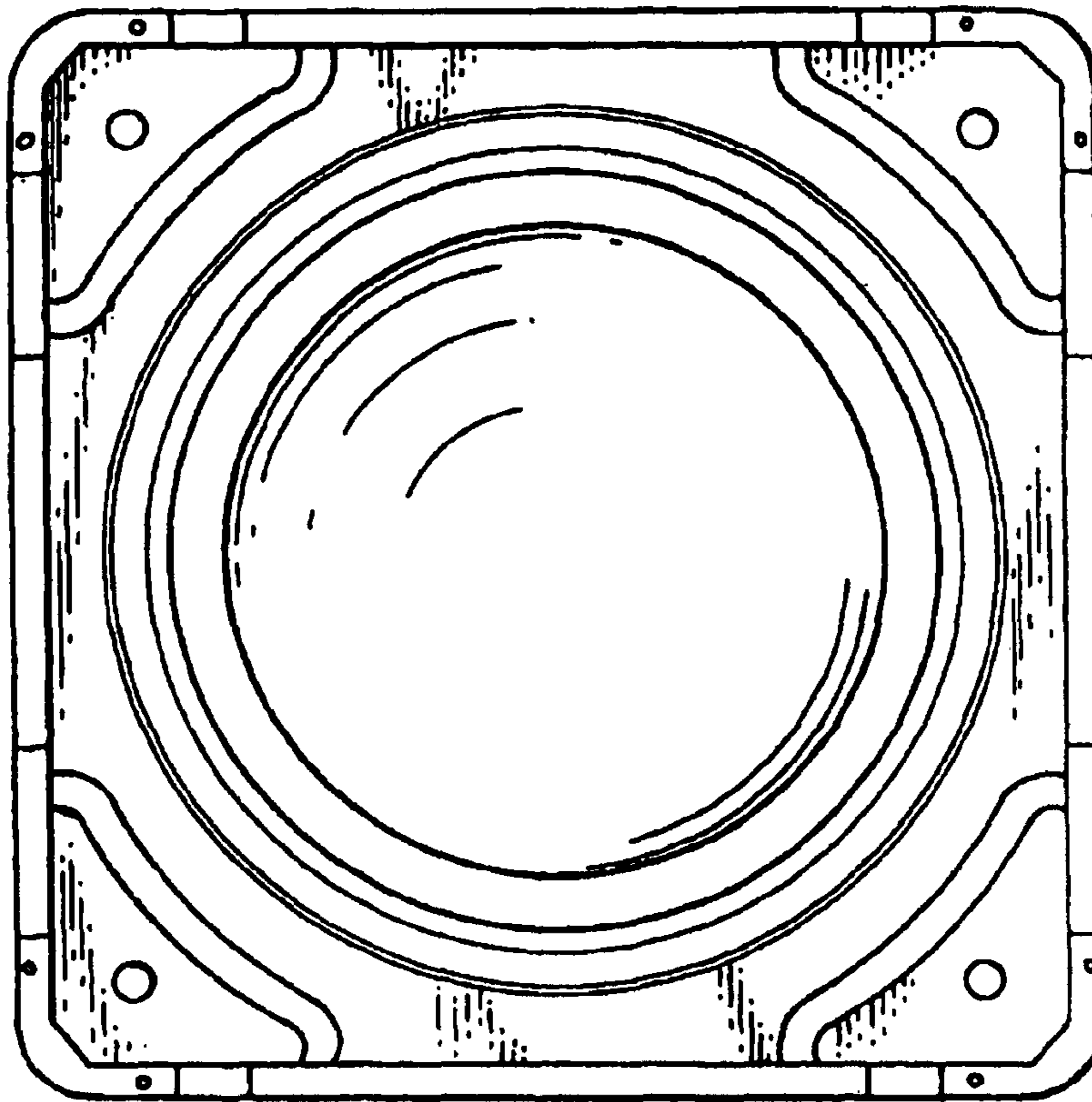


FIG. 5

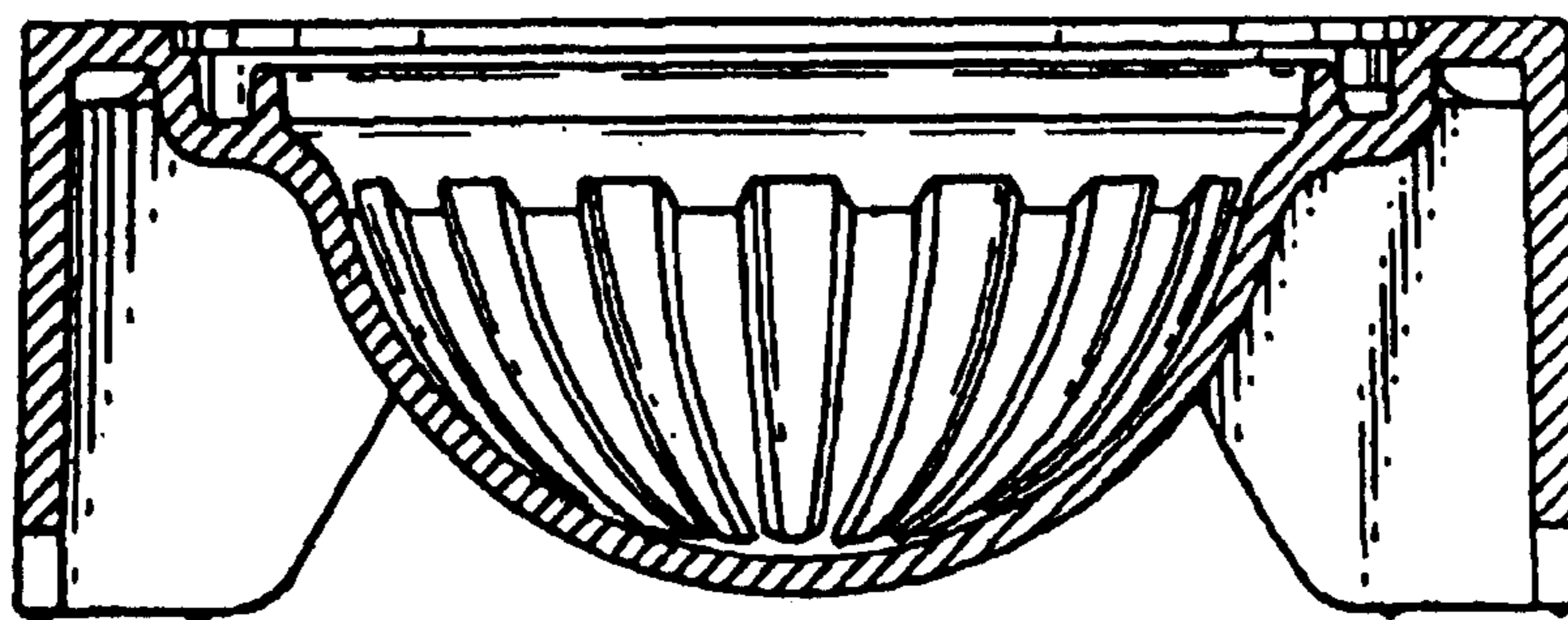


FIG. 6