

US00RE41006E

(19) **United States**  
(12) **Reissued Patent**  
**Knotts**

(10) **Patent Number: US RE41,006 E**  
(45) **Date of Reissued Patent: \*Nov. 24, 2009**

(54) **INTER-CARRIER SHORT MESSAGING SERVICE PROVIDING PHONE NUMBER ONLY EXPERIENCE**

4,310,726 A 1/1982 Asmuth  
4,399,330 A 8/1983 Kuenzel

(Continued)

(75) Inventor: **Chris Knotts**, Annapolis, MD (US)

FOREIGN PATENT DOCUMENTS

(73) Assignee: **TeleCommunication Systems, Inc.**, Annapolis, MD (US)

DE 295 11 856 9/1995

(\*) Notice: This patent is subject to a terminal disclaimer.

(Continued)

OTHER PUBLICATIONS

(21) Appl. No.: **11/174,419**

(22) Filed: **Jul. 5, 2005**

Attorneys for Plaintiff, TeleCommunication System, Inc., Reply to Defendant Mobile 365's Answer and Counterclaims, Civil Action No. 3:06-CV-485, Aug. 28, 2006.

**Related U.S. Patent Documents**

Reissue of:

(64) Patent No.: **6,658,260**  
Issued: **Dec. 2, 2003**  
Appl. No.: **09/985,032**  
Filed: **Nov. 1, 2001**

(Continued)

U.S. Applications:

(60) Provisional application No. 60/316,973, filed on Sep. 5, 2001.

(51) **Int. Cl.**  
**H04Q 7/20** (2006.01)

(52) **U.S. Cl.** ..... **455/466; 455/552.1; 455/412.1; 455/412.2**

(58) **Field of Classification Search** ..... **455/412.1, 455/412.2, 435.1, 550.1, 417, 552.1, 466, 455/432.3, 563; 379/100.13-15, 93.15; 358/403, 358/402; 370/352, 355, 356, 395.5, 401; 709/206, 238**

See application file for complete search history.

(56) **References Cited**

U.S. PATENT DOCUMENTS

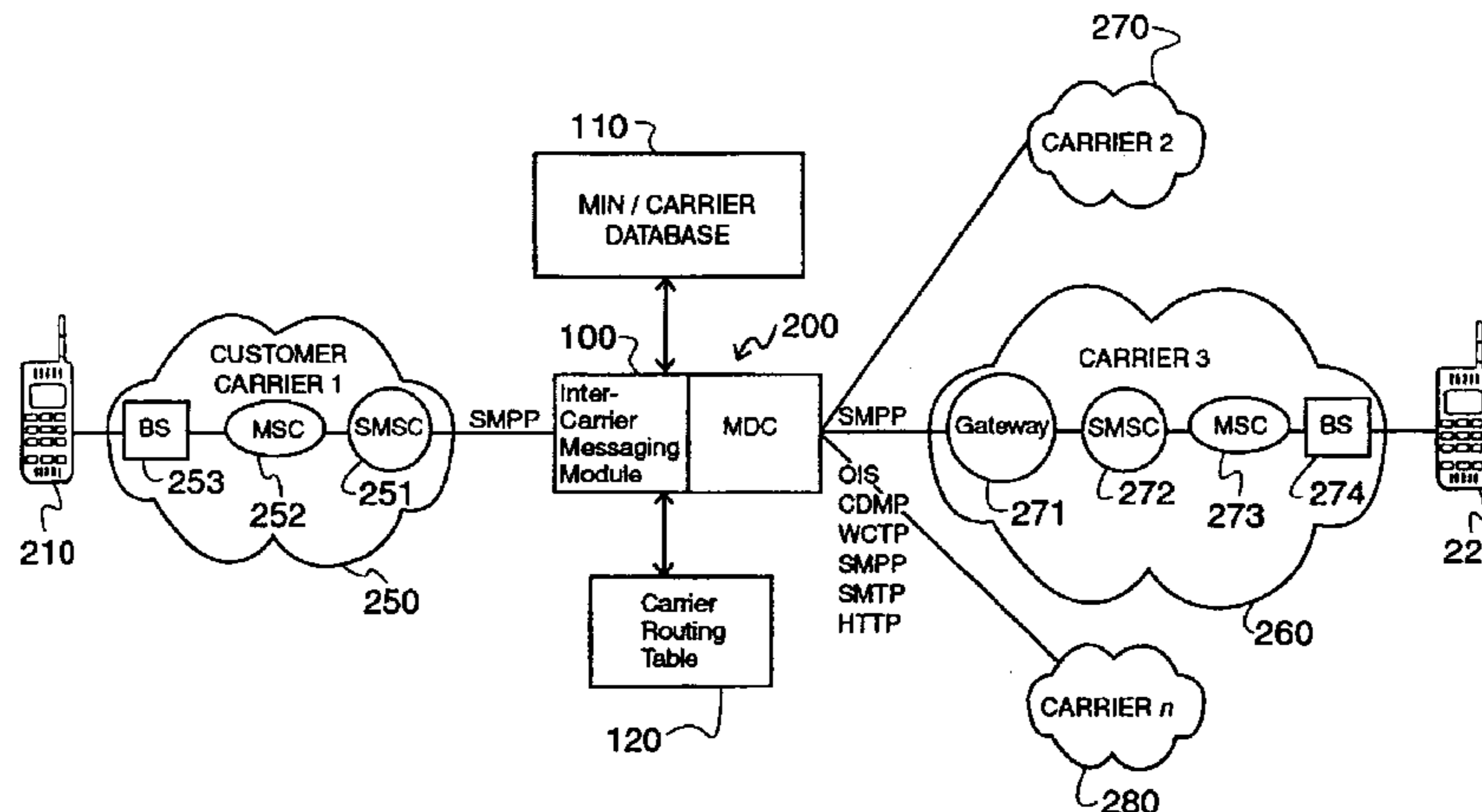
1,103,073 A 4/1914 O'Connel  
3,920,908 A 11/1975 Krauss

*Primary Examiner*—Jean Gelin  
(74) *Attorney, Agent, or Firm*—William H. Bollman

(57) **ABSTRACT**

A phone number only messaging experience is provided in an Inter-Carrier Short Messaging System (IC-SMS) service. Subscriber to subscriber messages are routed between carrier's networks using an Inter-Carrier messaging module with appropriate MIN/carrier/carrier routing look-up capabilities. Short messages may be sent to a subscriber in another carrier's network addressed only with a phone number. If the recipient is outside of the sender's carrier network, the Inter-Carrier messaging module of the Inter-Carrier service provider (ICSP) determines the appropriate carrier for the recipient, appends the appropriate syntax to the short message to allow internet protocol (IP) or other standardized communication techniques between SMSCs of the two carriers, and routes the short message to the destination carrier. The recipient in the other carrier's network may reply back to the ICSP's sender using only the subscriber's directory number.

**14 Claims, 9 Drawing Sheets**



# US RE41,006 E

Page 2

U.S. PATENT DOCUMENTS							
4,494,119	A	1/1985	Wimbush	5,327,144	A	7/1994	Stilp
4,651,156	A	3/1987	Martinez	5,329,578	A	7/1994	Brennan
4,680,785	A	7/1987	Akiyama	5,334,974	A	8/1994	Simms et al.
4,706,275	A	11/1987	Kamil	5,339,352	A	8/1994	Armstrong
4,725,719	A	2/1988	Oncken	5,341,410	A	8/1994	Aron
4,756,020	A	7/1988	Fodale	5,341,414	A	8/1994	Popke
4,776,000	A	10/1988	Parianti	5,343,493	A	8/1994	Karimullah
4,776,003	A	10/1988	Harris	5,345,227	A	9/1994	Fascenda et al.
4,776,037	A	10/1988	Rozanski, Jr.	5,347,568	A	9/1994	Moody et al.
4,831,647	A	5/1989	D'Avelo	5,349,696	A	9/1994	Matai
4,852,149	A	7/1989	Zwick	5,351,235	A	9/1994	Lahtinen
4,852,155	A	7/1989	Barraud	5,353,328	A	10/1994	Jokimies et al.
4,860,341	A	8/1989	D'Avelo	5,353,335	A	10/1994	D'Urso
4,891,638	A	1/1990	Davis	5,359,182	A	10/1994	Schilling
4,891,650	A	1/1990	Sheffer	5,359,642	A	10/1994	Castro
4,901,340	A	2/1990	Parker	5,359,643	A	10/1994	Gammino
4,935,956	A	6/1990	Hellwarth	5,361,212	A	11/1994	Class et al.
4,952,928	A	8/1990	Carroll et al.	5,363,425	A	11/1994	Mufti et al.
5,003,585	A	3/1991	Richer	5,369,699	A	11/1994	Page
5,014,206	A	5/1991	Scribner et al.	5,374,936	A	12/1994	Feng
5,043,736	A	8/1991	Darnell et al.	5,379,031	A	1/1995	Mondrosch et al.
5,046,088	A	9/1991	Margulies	5,379,451	A	1/1995	Nakagoshi et al.
5,055,851	A	10/1991	Sheffer	5,381,338	A	1/1995	Wysocki et al.
5,063,588	A	11/1991	Patsiokas	5,384,825	A	1/1995	Dillard
5,068,656	A	11/1991	Sutherland	5,387,993	A	2/1995	Heller et al.
5,068,891	A	11/1991	Marshall	5,388,147	A	2/1995	Grimes
5,070,329	A	12/1991	Jasinaki	5,390,339	A	2/1995	Bruckert et al.
5,081,667	A	1/1992	Drori et al.	5,394,158	A	2/1995	Chia
5,103,449	A	4/1992	Jolissaint	5,396,227	A	3/1995	Carroll et al.
5,119,104	A	6/1992	Heller	5,396,545	A	3/1995	Nair et al.
5,127,040	A	6/1992	D'Avello	5,396,558	A	3/1995	Ishiguro
5,128,938	A	7/1992	Borras	5,398,190	A	3/1995	Wortham
5,138,648	A	8/1992	Palomeque	5,404,580	A	4/1995	Simpson
5,138,650	A	8/1992	Stahl	5,406,614	A	4/1995	Hara
5,144,283	A	9/1992	Arens et al.	5,408,513	A	4/1995	Busch, Jr.
5,144,649	A	9/1992	Zicker	5,408,682	A	4/1995	Ranner
5,150,113	A	9/1992	Bluthgen	5,412,726	A	5/1995	Neroux
5,159,625	A	10/1992	Zicker	5,418,537	A	5/1995	Bird
5,161,180	A	11/1992	Chavous	5,423,076	A	6/1995	Westergren et al.
5,177,478	A	1/1993	Wagai et al.	5,430,759	A	7/1995	Yokev
5,187,710	A	2/1993	Chau	5,432,841	A	7/1995	Rimer
5,193,215	A	3/1993	Olmer	5,434,789	A	7/1995	Fraker et al.
5,208,756	A	5/1993	Song	5,438,615	A	8/1995	Moen
5,214,789	A	5/1993	George	5,440,621	A	8/1995	Castro
5,216,703	A	6/1993	Roy	5,454,024	A	9/1995	Lebowitz
5,218,367	A	6/1993	Sheffer et al.	5,457,737	A	10/1995	Wen
5,220,593	A	6/1993	Zicker	5,461,390	A	10/1995	Hoshen
5,223,844	A	6/1993	Mansell et al.	5,464,401	A	11/1995	Thompson
5,233,642	A	8/1993	Renton	5,465,289	A	11/1995	Kennedy, Jr.
5,235,630	A	8/1993	Moodey et al.	5,465,401	A	11/1995	Thompson
5,239,570	A	8/1993	Koster et al.	5,469,497	A	11/1995	Pierce
5,243,645	A	9/1993	Bissell et al.	5,470,233	A	11/1995	Fruchterman et al.
5,265,155	A	11/1993	Castro	5,479,408	A	12/1995	Will
5,265,630	A	11/1993	Hartman	5,479,482	A	12/1995	Grimes
5,266,944	A	11/1993	Carroll et al.	5,485,161	A	1/1996	Vaughn
5,274,802	A	12/1993	Altine	5,485,163	A	1/1996	Singer et al.
5,276,444	A	1/1994	McNair	5,485,505	A	1/1996	Norman
5,289,527	A	2/1994	Tiedemann, Jr.	5,488,563	A	1/1996	Chazelle et al.
5,291,543	A	3/1994	Freese	5,494,091	A	2/1996	Freeman
5,293,642	A	3/1994	Lo	5,497,149	A	3/1996	Fast
5,297,189	A	3/1994	Chabernaud	5,502,761	A	3/1996	Duncan
5,299,132	A	3/1994	Wortham	5,506,893	A	4/1996	Buscher
5,301,223	A	4/1994	Amadon	5,508,931	A	4/1996	Snider
5,301,234	A	4/1994	Mazziotto	5,509,056	A	4/1996	Ericsson
5,309,501	A	5/1994	Kozik	5,513,243	A	4/1996	Kage
5,311,572	A	5/1994	Friedes	5,515,287	A	5/1996	Hakoyama et al.
5,319,774	A	6/1994	Ainsworth	5,517,555	A	5/1996	Amadon
5,321,735	A	6/1994	Breeden	5,517,559	A	5/1996	Hayashi
5,325,302	A	6/1994	Izidon	5,519,403	A	5/1996	Bickley et al.
5,325,418	A	6/1994	McGregor	5,532,690	A	7/1996	Hertel
				5,535,434	A	7/1996	Siddoway et al.



# US RE41,006 E

5,539,398 A	7/1996	Hall et al.	5,915,222 A	6/1999	Olsson et al.
5,543,776 A	8/1996	L'esperance et al.	5,920,821 A	7/1999	Seazholtz et al.
5,550,897 A	8/1996	Seiderman	5,920,822 A	7/1999	Houde et al.
5,552,772 A	9/1996	Janky et al.	5,930,701 A	7/1999	Skog
5,555,286 A	9/1996	Tendler	5,940,756 A	8/1999	Sibecas et al.
5,555,446 A	9/1996	Jasinski	5,943,399 A	8/1999	Bannister et al.
5,568,119 A	10/1996	Schipper et al.	5,946,629 A	8/1999	Sawyer et al.
5,570,416 A	10/1996	Kroll	5,946,630 A	8/1999	Willars et al.
5,574,648 A	11/1996	Pilley	5,949,326 A	9/1999	Wicks et al.
5,577,100 A	11/1996	McGregor	5,950,130 A	9/1999	Coursey
5,579,372 A	11/1996	Angstrom	5,953,398 A	9/1999	Hill
5,579,376 A	11/1996	Kennedy et al.	5,959,543 A	9/1999	LaPorta et al.
5,583,918 A	12/1996	Nakagawa	5,960,074 A	9/1999	Clark
5,586,175 A	12/1996	Hogan	5,966,663 A	10/1999	Gleason
5,588,009 A	12/1996	Will	5,974,054 A	10/1999	Couts et al.
5,592,535 A	1/1997	Klotz	5,974,238 A	10/1999	Chase, Jr.
5,596,734 A	1/1997	Ferra	5,978,685 A	11/1999	Laiho
5,604,486 A	2/1997	Lauro et al.	5,983,095 A *	11/1999	Cameron ..... 455/417
5,606,313 A	2/1997	Allen et al.	5,987,323 A	11/1999	Huotari
5,606,595 A	2/1997	Ejzak	5,999,811 A	12/1999	Molne
5,606,850 A	3/1997	Nakamura	6,000,000 A	12/1999	Hawkins
5,610,815 A	3/1997	Gudat et al.	6,003,040 A	12/1999	Mital
5,610,972 A	3/1997	Emery	6,011,976 A	1/2000	Michaels et al.
5,614,890 A	3/1997	Fox	6,014,429 A	1/2000	LaPorta et al.
5,615,116 A	3/1997	Gudat et al.	6,018,657 A	1/2000	Kennedy, III et al.
5,621,727 A	4/1997	Vaudreuil	6,021,333 A	2/2000	Anderson
5,621,793 A	4/1997	Bednarek et al.	6,034,621 A	3/2000	Kaufman
5,625,669 A	4/1997	McGregor	6,035,025 A	3/2000	Hanson
5,628,051 A	5/1997	Salin	6,041,045 A	3/2000	Alterman et al.
5,628,600 A	5/1997	Pasquini	6,044,381 A	3/2000	Boothby
5,633,912 A	5/1997	Tsoi	6,049,710 A	4/2000	Nilsson
5,640,447 A	6/1997	Fonseca	6,055,442 A	4/2000	Dietrich
5,652,888 A	7/1997	Burgess	6,058,300 A	5/2000	Hanson
5,673,306 A	9/1997	Amadon et al.	6,064,875 A	5/2000	Morgan
5,682,600 A	10/1997	Salin	6,070,067 A	5/2000	Nguyen et al.
5,687,216 A	11/1997	Svensson	6,075,982 A	6/2000	Donovan et al.
5,692,037 A	11/1997	Friend	6,078,583 A	6/2000	Takahara
5,694,546 A	12/1997	Reisman	6,081,508 A	6/2000	West et al.
5,722,067 A	2/1998	Fougnes	6,085,099 A	7/2000	Ritter et al.
5,732,346 A	3/1998	Lazarides	6,085,100 A	7/2000	Tarnanen
5,740,534 A	4/1998	Ayerst et al.	6,087,956 A	7/2000	Helferich
5,742,668 A	4/1998	Pepe et al.	6,094,574 A	7/2000	Vance et al.
5,758,088 A	5/1998	Bezaire	6,101,378 A	8/2000	Barabash et al.
5,761,618 A	6/1998	Lynch et al.	6,118,448 A	9/2000	McMillan et al.
5,767,795 A	6/1998	Schaphorst	6,122,503 A	9/2000	Daly
5,768,509 A	6/1998	Gunluk	6,122,520 A	9/2000	Want et al.
5,774,533 A	6/1998	Patel	6,125,281 A	9/2000	Wells et al.
5,778,313 A	7/1998	Fougnes	6,128,482 A	10/2000	Nixon et al.
5,787,357 A	7/1998	Salin	6,128,653 A	10/2000	Del Val et al.
5,790,636 A	8/1998	Marshall	6,134,432 A	10/2000	Holmes et al.
5,793,859 A	8/1998	Matthews	6,138,158 A	10/2000	Boyle et al.
5,794,142 A	8/1998	Vanttila et al.	6,139,177 A	10/2000	Venkatraman
5,796,734 A	8/1998	Izawa et al.	6,144,653 A	11/2000	Persson et al.
5,797,091 A	8/1998	Clise et al.	6,148,197 A	11/2000	Bridges et al.
5,797,094 A	8/1998	Houde	6,148,198 A	11/2000	Anderson et al.
5,797,096 A	8/1998	Lupien et al.	6,149,353 A	11/2000	Nilsson
5,802,492 A	9/1998	DeLorme et al.	6,157,831 A	12/2000	Lamb
5,815,816 A	9/1998	Isumi	6,157,846 A *	12/2000	Manning et al. .... 455/557
5,822,700 A	10/1998	Hult et al.	6,169,891 B1	1/2001	Gorham et al.
5,826,185 A	10/1998	Wise	6,173,181 B1	1/2001	Losh
5,828,740 A	10/1998	Khuc et al.	6,173,438 B1	1/2001	Kodosky et al.
5,845,293 A	12/1998	Veghte	6,175,743 B1 *	1/2001	Alperovich et al. .... 455/466
5,848,134 A	12/1998	Sekiguchi et al.	6,178,331 B1	1/2001	Holmes et al.
5,850,599 A	12/1998	Seiderman	6,181,935 B1	1/2001	Gossman
5,854,975 A	12/1998	Fougnes	6,185,602 B1	2/2001	Bayrakeri
5,857,201 A	1/1999	Wright, Jr.	6,188,752 B1	2/2001	Lesley
5,867,495 A	2/1999	Elliott et al.	6,189,031 B1	2/2001	Badger et al.
5,867,688 A	2/1999	Simmon	6,192,241 B1	2/2001	Yu
5,884,323 A	3/1999	Hawkins	6,195,543 B1	2/2001	Granberg
5,887,249 A	3/1999	Schmid ..... 455/411	6,195,651 B1	2/2001	Handel et al.
5,905,736 A	5/1999	Ronen et al.	6,198,431 B1	3/2001	Gibson



# US RE41,006 E

6,199,045 B1	3/2001	Giniger et al.	6,512,930 B2	1/2003	Sandegren
6,205,330 B1	3/2001	Winbladh	6,529,593 B2	3/2003	Nelson
6,205,448 B1	3/2001	Kruglikov	6,529,732 B1	3/2003	Vainiomaki
6,208,854 B1	3/2001	Roberts et al.	6,535,746 B1	3/2003	Yu et al. .... 455/466
6,208,870 B1	3/2001	Lorello et al. .... 455/466	6,538,561 B2	3/2003	Angus
6,212,548 B1	4/2001	DeSimone et al.	6,549,937 B1	4/2003	Auerbach et al.
6,216,008 B1	4/2001	Lee	6,553,375 B1	4/2003	Huang
6,223,042 B1	4/2001	Raffel	6,560,456 B1	5/2003	Lohtia et al.
6,226,529 B1	5/2001	Bruno et al.	6,560,655 B1	5/2003	Grambihler
6,230,009 B1	5/2001	Holmes et al. .... 455/426	6,564,249 B2	5/2003	Shiigi
6,243,444 B1	6/2001	O'Neal	6,564,261 B1	5/2003	Gudjonsson et al.
6,243,832 B1	6/2001	Eckes et al.	6,587,688 B1	7/2003	Chambers
6,246,879 B1	6/2001	Segura	6,587,691 B1	7/2003	Granstam et al.
6,247,135 B1	6/2001	Feague	6,590,970 B1	7/2003	Cai et al.
6,249,680 B1	6/2001	Wax et al.	6,591,304 B1	7/2003	Sitaraman et al.
6,249,744 B1	6/2001	Morita	6,594,693 B1	7/2003	Borwankar
6,253,061 B1	6/2001	Helferich	6,633,910 B1	10/2003	Rajan
6,263,212 B1	7/2001	Ross et al.	6,636,733 B1	10/2003	Helferich
6,263,372 B1	7/2001	Hogan et al.	6,654,786 B1	11/2003	Fox et al.
6,266,614 B1	7/2001	Alumbaugh et al.	6,658,260 B2	12/2003	Knotts
6,289,373 B1	9/2001	Dezonno	6,662,015 B2	12/2003	Furlong
6,292,669 B1	9/2001	Meuronen et al.	6,667,688 B1	12/2003	Menard et al.
6,301,338 B1	10/2001	Makela	6,671,356 B2	12/2003	Lewis
6,304,898 B1	10/2001	Shiigi	6,678,720 B1	1/2004	Matsumoto et al.
6,311,055 B1	10/2001	Boltz	6,701,521 B1	3/2004	McLroy
6,314,108 B1	11/2001	Ramasubramani et al.	6,711,154 B1	3/2004	O'Neal
6,317,594 B1	11/2001	Gossman	6,711,411 B1	3/2004	Ruffini
6,317,831 B1	11/2001	King	6,718,178 B1	4/2004	Sladek et al.
6,321,257 B1	11/2001	Kotola et al.	6,718,425 B1	4/2004	Pajakowski
6,324,544 B1	11/2001	Alam	6,725,268 B1	4/2004	Jackel et al.
6,327,479 B1	12/2001	Mikkola	6,728,353 B1	4/2004	Espejo et al.
6,330,079 B1 *	12/2001	Dugan et al. .... 358/403	6,507,708 B2	6/2004	Craig et al.
6,330,600 B1	12/2001	Matchefts et al.	6,744,854 B2	6/2004	Koepke et al.
6,330,618 B1	12/2001	Hawkins	6,744,858 B1	6/2004	Ryan et al.
6,335,968 B1	1/2002	Malik	6,748,555 B1	6/2004	Teegan et al.
6,353,614 B1	3/2002	Borella et al.	6,751,211 B1	6/2004	Chack
6,356,630 B1	3/2002	Cai et al.	6,757,708 B1	6/2004	Craig et al.
6,366,663 B1	4/2002	Bauer et al.	6,763,373 B2	7/2004	Shiigi
6,366,961 B1	4/2002	Subbiah et al.	6,771,742 B2	8/2004	McCalmont et al.
6,370,373 B1	4/2002	Gerth et al.	6,771,971 B2	8/2004	Smith
6,370,390 B1	4/2002	Salin et al.	6,775,356 B2	8/2004	Salvucci et al.
6,377,669 B1	4/2002	Walker et al.	6,779,022 B1	8/2004	Horstmann et al.
6,389,421 B1	5/2002	Hawkins	6,785,659 B1	8/2004	Landsman
6,389,455 B1	5/2002	Fuisz	6,801,603 B1	10/2004	Arev
6,393,014 B1	5/2002	Daly et al.	6,839,562 B2	1/2005	Smith
6,393,269 B1	5/2002	Hartmaier	6,856,804 B1	2/2005	Ciotta
6,393,434 B1	5/2002	Huang	6,856,809 B2 *	2/2005	Fostick ..... 455/466
6,393,461 B1	5/2002	Okada	6,870,909 B2 *	3/2005	Gross et al. .... 379/88.22
6,396,913 B1	5/2002	Perkins, III	6,886,017 B1	4/2005	Jackson et al.
6,397,054 B1	5/2002	Hoirup et al.	6,922,565 B2	7/2005	Rhodes et al.
6,397,055 B1	5/2002	McHenry	6,956,832 B1	10/2005	Muhonen et al.
6,400,942 B1	6/2002	Hansson et al.	6,691,330 B2	11/2005	Cattan et al.
6,408,177 B1	6/2002	Parikh	6,970,869 B1	11/2005	Slaughter et al.
6,421,707 B1	7/2002	Miller et al.	6,980,670 B1	12/2005	Hoffman et al.
6,424,706 B1	7/2002	Katz et al.	6,985,748 B2	1/2006	Knotts
6,424,841 B1	7/2002	Gustafsson	6,993,325 B1	1/2006	Waesterlid
6,442,570 B1	8/2002	Wu	7,003,560 B1	2/2006	Mullen et al.
6,442,589 B1	8/2002	Takahashi et al.	7,010,603 B2	3/2006	Martin
6,446,112 B1	9/2002	Bunney	7,058,036 B1	6/2006	Yu et al.
6,456,852 B2	9/2002	Bar	7,072,984 B1	7/2006	Polonsky et al.
6,459,776 B1	10/2002	Aktas et al.	7,100,195 B1	8/2006	Underwood
6,459,892 B2	10/2002	Burgan	7,116,972 B1	10/2006	Zhang et al.
6,463,145 B1	10/2002	O'Neal et al.	7,154,901 B2	12/2006	Chava
6,483,907 B1	11/2002	Wong	7,171,190 B2	1/2007	Ye
6,484,196 B1	11/2002	Maurille	7,209,950 B2	4/2007	Bennett et al.
6,487,560 B1	11/2002	LaRue	2001/0003202 A1	6/2001	Mache et al.
6,493,558 B1	12/2002	Bernhart et al.	2001/0006897 A1	7/2001	Kang et al.
6,499,053 B1	12/2002	Marquette et al.	2001/0029455 A1	10/2001	Chin et al.
6,502,086 B2	12/2002	Pratt	2001/0031641 A1	10/2001	Ung
6,505,046 B1	1/2003	Baker	2001/0032267 A1	10/2001	Collison
6,507,589 B1	1/2003	Ramasubramani et al.	2001/0034224 A1	10/2001	McDowell et al.



2001/0040949	A1	11/2001	Blonder	
2001/0041579	A1	11/2001	Smith et al.	
2001/0042107	A1	11/2001	Palm	
2002/0007398	A1	1/2002	Mendiola et al.	
2002/0007421	A1	1/2002	Dixon	
2002/0026513	A1	2/2002	Hoglund et al.	
2002/0029189	A1	3/2002	Titus et al.	705/39
2002/0052968	A1	5/2002	Bonefas et al.	
2002/0069069	A1	6/2002	Kanevsky et al.	
2002/0091775	A1	7/2002	Morehead et al.	
2002/0103762	A1	8/2002	Lopez	
2002/0108091	A1	8/2002	Flanagin et al.	
2002/0112007	A1	8/2002	Wood et al.	
2002/0112014	A1	8/2002	Bennet et al.	709/206
2002/0116263	A1	8/2002	Gouge et al.	
2002/0118800	A1	8/2002	Martinez et al.	
2002/0119793	A1	8/2002	Hronek et al.	
2002/0133568	A1	9/2002	Smith	
2002/0165000	A1	11/2002	Fok	
2002/0168986	A1	11/2002	Lou	
2002/0173308	A1	11/2002	Dorenbosch et al.	
2002/0174194	A1	11/2002	Mooney et al.	
2002/0178222	A1	11/2002	O'Hara	
2002/0198999	A1	12/2002	Smith	
2003/0037288	A1	2/2003	Helgren	
2003/0055912	A1	3/2003	Martin	
2003/0069874	A1	4/2003	Hertzog	
2003/0172121	A1	9/2003	Evans	
2003/0204791	A1	10/2003	Helgren et al.	
2003/0021781	A1	11/2003	Schramm-Apple	
2004/0103431	A1	5/2004	Davenport	
2004/0259531	A1	7/2004	Wood	
2004/0171396	A1	9/2004	Carey et al.	
2004/0185883	A1	9/2004	Rukman	
2004/0199614	A1	10/2004	Shenfield	
2004/0203900	A1	10/2004	Cedarvall et al.	
2004/0236710	A1	11/2004	Clary	
2004/0242202	A1	12/2004	Torvinen	
2005/0020287	A1	1/2005	Pohutsky	
2005/0044535	A1	2/2005	Coppert	
2005/0048948	A1	3/2005	Holland	
2005/0076084	A1	4/2005	Loughmiller	
2005/0078660	A1	4/2005	Wood	
2005/0135569	A1	6/2005	Dickinson	
2005/0141522	A1	6/2005	Kadar et al.	
2005/0176406	A1	8/2005	Carpenter	
2005/0186974	A1	8/2005	Cai	
2005/0277432	A1	12/2005	Viana et al.	
2006/0053197	A1	3/2006	Yoshimura	
2006/0116138	A1	6/2006	Simsek et al.	

FOREIGN PATENT DOCUMENTS

EP	0936825	2/1999
EP	0 936 825 A2	2/1999
GB	2308528	12/1995
WO	WO 96/21999	7/1996
WO	WO 96/26616	8/1996
WO	WO 97/26765	7/1997
WO	98/28920	7/1998
WO	WO 98/35481	8/1998
WO	9856160	12/1998
WO	WO 98/56195	12/1998
WO	9960801	5/1999
WO	WO 99/63772	9/1999
WO	WO 01/50787	7/2001
WO	WO 01/54434	7/2001
WO	01507587	7/2001
WO	WO 01/78422	10/2001

OTHER PUBLICATIONS

Attorneys for Plaintiff, TeleCommunication Systems, Inc., Reply to Defendant Widerthan Americas, Inc. Answer and Counterclaims, Civil Action No. 3:06-CV-485, Aug. 28, 2006.

Attorneys for Defendant, Mobile 365, Inc., Answer and Counterclaims of Defendant Widerthan Americas, Inc., Civil Action No. 3:06-CV-485, Aug. 8, 2006.

Attorneys for Defendant, Mobile 365, Inc., Answer and Counterclaims of Defendant Mobile 365, Inc., Civil Action No. 3:06-CV485, Aug. 8, 2006.

Civil Action No. 3:06CV485, Order, Dec. 21, 2006, pp. 1-7.

Civil Action No. 3:06CV485, Mobile 365, Inc.'s Opening Claim Construction Brief, Nov. 28, 2006, pp. 1-30.

Buckingham, What is SMS?, LibanPhone, Nov. 2006, pp. 1-27.

O'Leary, SMS Messaging: How is Your Text Life?, Group Mail Article, Jan. 2006, pp. 1.

Short Message Service, Wikipedia, Nov. 2006, pp. 1-9.

SMS Text Messaging A Brief History of UK Text, foolswisdom.com, Nov. 2006, pp. 1-4.

Singapore takes first step towards seamless data architecture, Infocom Hub, Feb. 1999, pp. 1.

Zimmerman, Mobile Messaging & Internet Applications, Jul. 2000, pp. 1-38.

EMI Protocol, Wikipedia, Nov. 2006, pp. 1-2.

Short Message Peer to Peer Protocol Specification v3.4, SMPP Developers Forum, Oct. 1999, pp. 1-169.

Newton's Telecom Dictionary, CMP Books, Mar. 2004, pp. 610.

Wi-Fi Alliance, Glossary, Nov. 2006, pp. 1-2.

Packet, Wikipedia, Nov. 2006, pp. 1-4.

The Oxford Essential Dictionary, 1998, pp. 7, 26.

The Oxford Essential Dictionary, 1998, pp. 417.

The Oxford Essential Dictionary, 1998, pp. 401.

The Oxford Essential Dictionary, 1998, pp. 310, 312.

Civil Action No. 3:06-CV-485 (JRS), Mobile 365, Inc's Responsive Claim Construction Brief, pp. 1-19.

Cohan, June E., *TCS v. Mobile 365 E-Mail Correspondence*, Nov. 22, 2006, pp. 1-2.

Fulton, Brady, Response to Nov. 22, 2006 From June Cohan, Nov. 29, 2006, pp. 1-2.

Civil Action No. 3:06-CV-485 (JRS), Plaintiff's Initial Disclosure of Asserted Claims and Preliminary Infringement Contentions, Oct. 16, 2006 pp. 1-8.

InphoXchange, SMS, Exhibit A, Brochure, pp. 1-2.

VeriSign, Data Sheet, Exhibit B, Brochure, pp. 1-3.

Gelin, Jean, USPTO Office Action, Jan. 6, 2006, pp. 1-8.

Bollman, William H., Amendment to USPTO, Jan. 17, 2006, pp. 1-8.

Civil Action No. 3:06cv485 (JRS), Answer and Counterclaims of Defendant Widerthan Americas, Inc., Aug. 8, 2006, pp. 1-15.

Civil Action No. 3:06cv485 (JRS), Answer and Counterclaims of Defendant Mobile 365, Inc., Aug. 8, 2006, pp. 1-16.

Civil Action No. 3:06cv485 (JRS), Defendant Mobile 365, Inc's Response to Plaintiff's First Set of Interrogatories (Nos. 1-13), Sep. 25, 2006, pp. 1-17.

Civil Action No. 3:06cv485 (JRS), Widerthan's Objections to TCS's First Set of Interrogatories, pp. 1-11.

Civil Action No. 3:06cv485 (JRS), Defendant Mobile 365, Inc's Objections and Responses to Plaintiff's First Set of Interrogatories (Nos. 1-13) to Mobile 365, Inc.



- Civil Action No.: 3:06cv485 (JRS), Widerthan's Responses and Objections to TCS's First Set of Interrogatories, Oct. 10, 2006, pp. 1–12.
- Civil Action No.: 3:06cv485 (JRS), Plaintiff's Initial Disclosure of Asserted Claims and Preliminary Infringement Contentions, Oct. 16, 2006, pp. 1–8.
- Civil Action No. 3:06–CV–485 (JRS), Defendant Mobile 365, Inc.'s Preliminary Invalidity Contentions, Nov. 21, 2006, pp. 1–48.
- Civil Action No.: 3:06cv485 (JRS), Plaintiff's Supplemental Proposed Claim Constructions, Nov. 29, 2006, pp. 1–19.
- Civil Action No.: 3:06cv485 (JRS), Plaintiff's Response to Mobile 365's Opening Claim Construction Brief, Dec. 8, 2006, pp. 1–20.
- Civil Action No.: 3:06cv485 (JRS), Plaintiff's Response to Mobile 365's Preliminary Invalidity Contentions, Dec. 18, 2006, pp. 1–18.
- U.S. Appl. No. 60/225,603, Cellular Network Independent Short Message Delivery System, Aug. 15, 2000, pp. 1–2, pp. 1–24.
- Logica Aldiscon—Products, Added Value for Mobile Data Communication, Nov. 17, 2006, pp. 1–4.
- Kathman, Brian F., Cross–Carrier Interoperability for VoiceStream SMS Messaging, Oct. 2000, pp. 1–8.
- Smale, Steve, HP OpenMail Short Message Service (SMS) Gateway: The Mobile Phone as an E–Mail “Client–of–Choice,” Hewlett Packard Limited, Proceedings of 2<sup>nd</sup> International Workshop on Mobile Multimedia Communications, XP00671022, Apr. 11, 1995, 4 pages; RE–EX017761–RE–EX017764.
- SBC Wireless Selects Logica Messaging Products to Expand its Wireless Data Services Business Wire Sep. 2000.
- Short Message Peer to Peer Protocol Specification v3.4 SMPP Developers Forum Oct/1999 pp. 1–169.
- SBC Wireless Selects Logica Messaging Products to Expand its Wireless Data Services Business Wire Sep. 2000.
- ANSI TIA/EIA–41–D: Cellular Radiotelecommunications Intersystem Operations Dec. 1997.
- Singapore takes first step towards seamless data architecture Infocom Hub Feb. 1999 p. 1.
- Wi–Fi Alliance Glossary Nov. 2006 pp. 1–2.
- Bond “Cellular Carriers Use Prepaid Programs to Reach Untapped Markets” Billing World Mar. 1997 pp. 14–17.
- Communication from European Patent Office pursuant to Article 96(2) in application No. 02 773 272.6 1249 dated Jun. 18, 2007.
- ETSI/3Gpp 3<sup>rd</sup> Generation Partnership Project; Technical Specification Group Services and System Aspects; General Packet Radio Service (GPRS); Service description; Stage 2; (3G TS 23.060 version 3.2.1) Jan. 2000 pp. 138–142.
- MultiMedia Publishing Corp. “Prepaid Cellular and Prepaid Wireless Market Report and Forecast 1997–2002” sales literature undated.
- Kathman Brian F. Cross–Carrier Interoperability for VoiceStream SMS Messaging Oct. 2000 pp. 1–8.
- The Power of Mobile Unified Messaging: Siemens and Comverse to Demonstrate WAP–Based Messaging Applications on Live GPRS System Comverse Feb. 2000.
- TSI Launches International SMS Interoperability Trial with Movinet South American Telecom Sep. 2001 Nov. 9 vol. 6 pp. 10.
- Newton's Telecom Dictionary, Packet, Mar. 2004, pp. 610.
- SMS Text Messaging A Brief History of UK Text foolswisdom.com Nov. 2006 pp. 1–4.
- Tecore Inc. “Pre–Paid Cellular” sales literature Mar. 25, 1997 pp. 1–4.
- Yankee Group SMS: Why Can't North American Carriers Get Along? vol. 1 No. 16 Nov. 2000.
- Zimmerman Mobile Messaging & Internet Applications Jul. 2000 pp. 1–38.
- Newton. Harry. “Newton's Telecom Dictionary”. Flatiron Publishing, Inc. . . Tenth Edition. Feb. 1996. pp. 665 and 1036.
- Ticknor. J., “Testing to WIN”, Telephony. Primedia Business Magazines and Media, Aug. 2, 1999, 3 pages.
- Expert Report of Randall A. Synder, In the United States District Court, Eastern District of Virginia, Richmond Division, Civil Action No. 3:06–CV–485 (JRS), Feb. 13, 2007, pp. 1–29.

\* cited by examiner

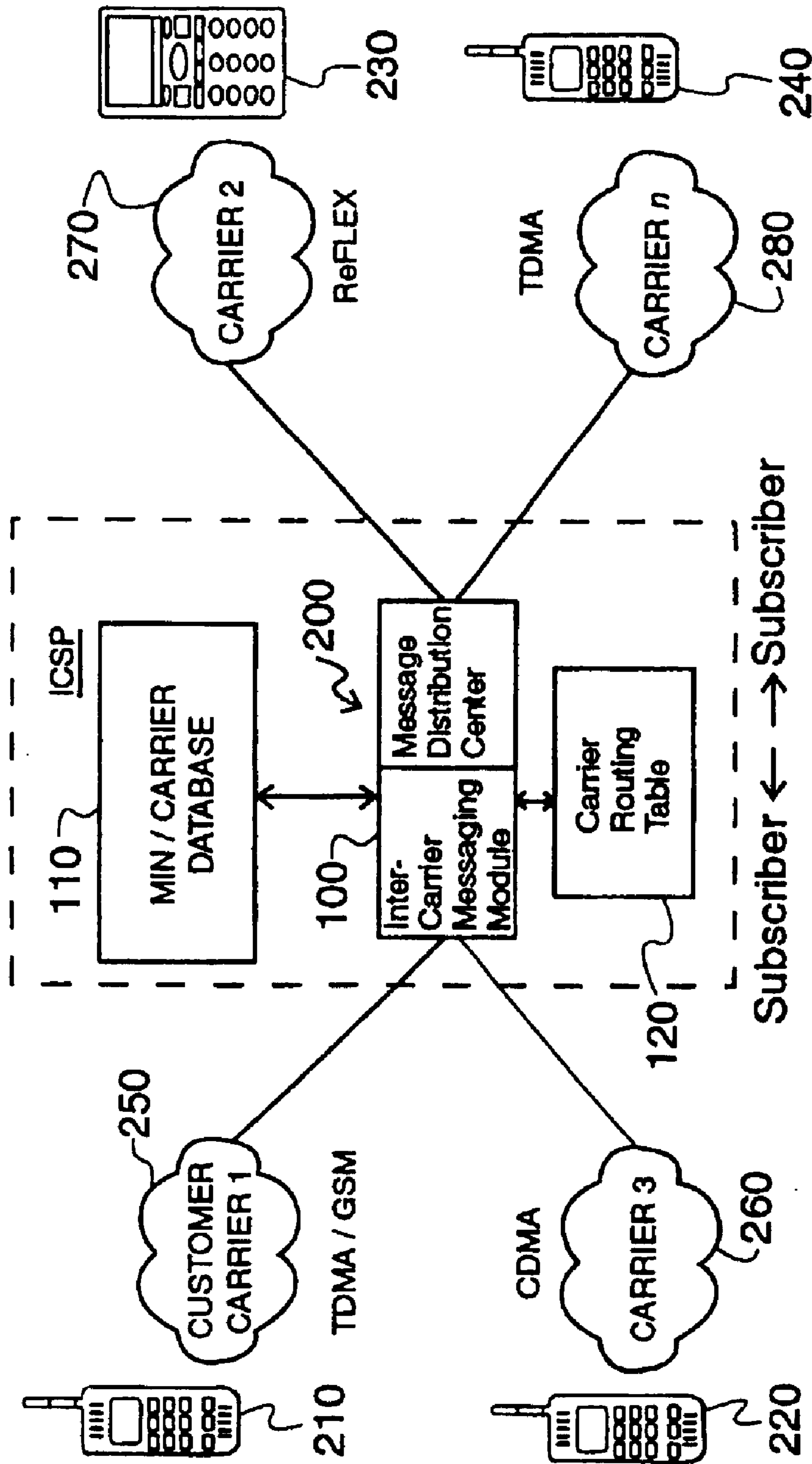


FIG. 1

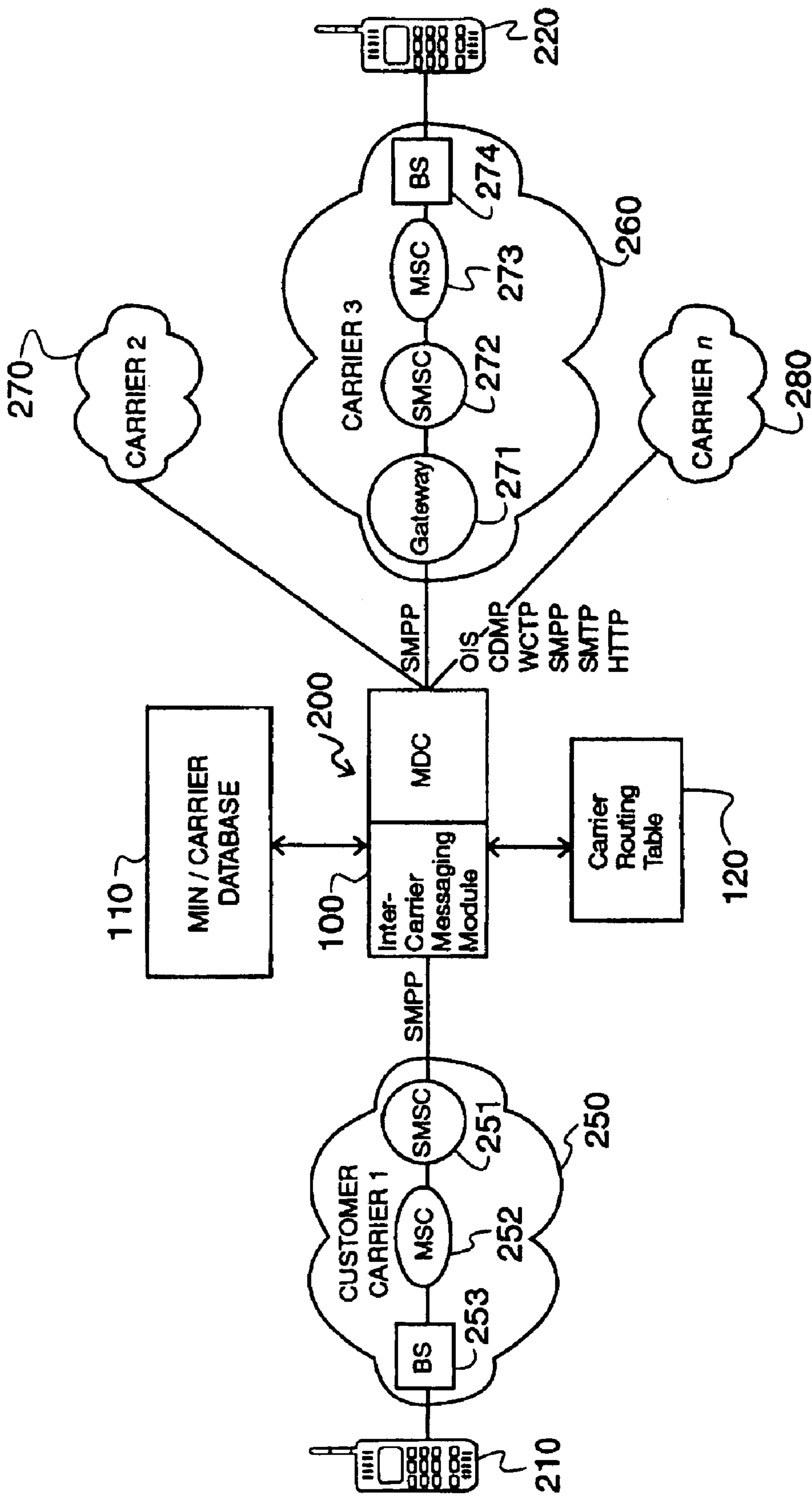


FIG. 2



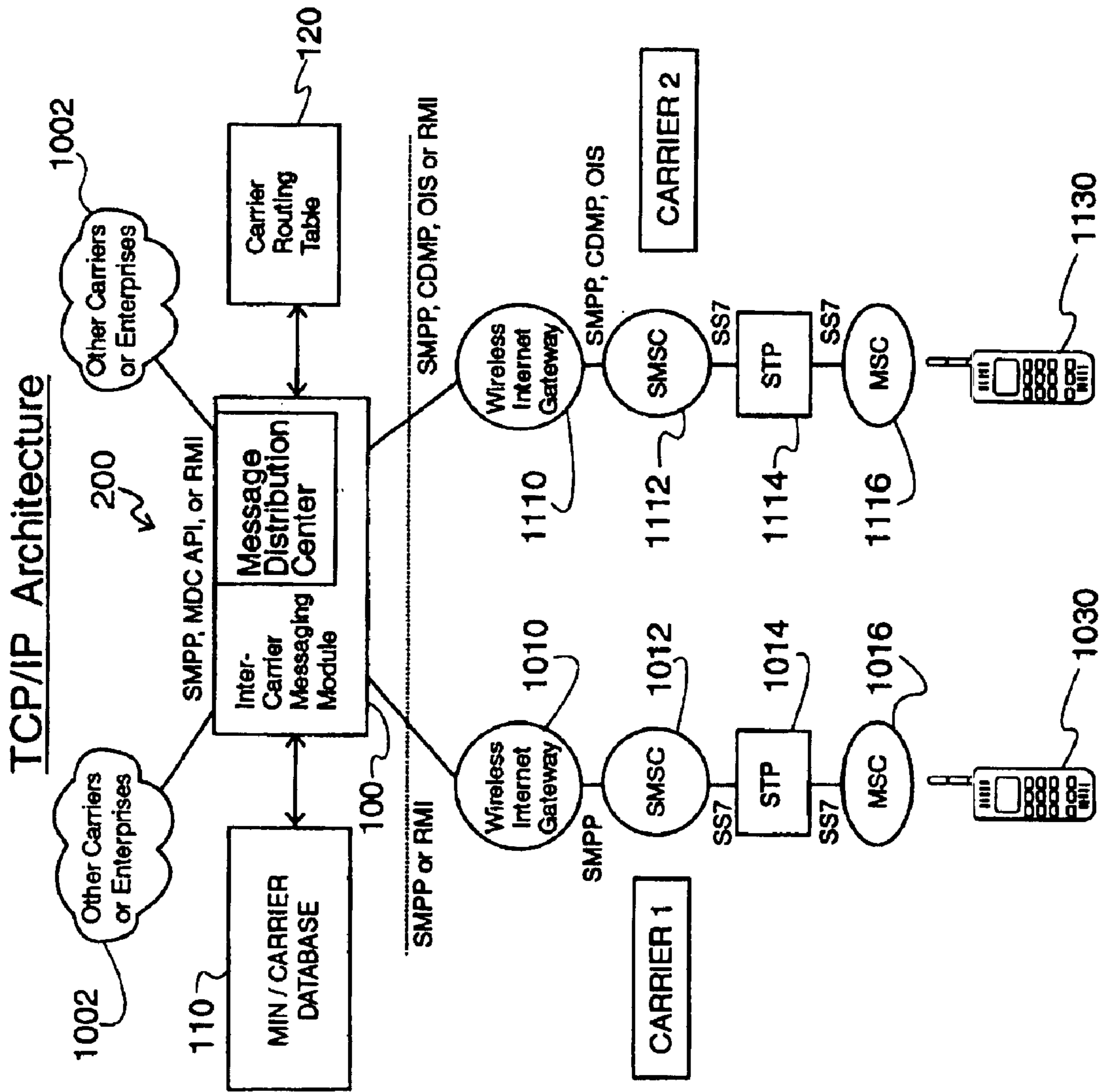


FIG. 3

ALL MINs	CARRIER NAME	ID
410 555 1212	AT+ T	1
410 123 4567	VERIZON	2
212 654 3210	SPRINT	3
⋮	⋮	

EXEMPLARY MIN / CARRIER DATABASE

FIG. 4



120

CARRIER NAME	CURRENT COMMUNICATION METHOD	SYNTAX OF SHORT MESSAGE
AT+ T	SMTP	@mobile.att.net ← 488
VERIZON	SMTP	@mobile.myportal. xyzwireless.net ← 489
⋮	⋮	⋮

EXEMPLARY CARRIER ROUTING TABLE

FIG. 5

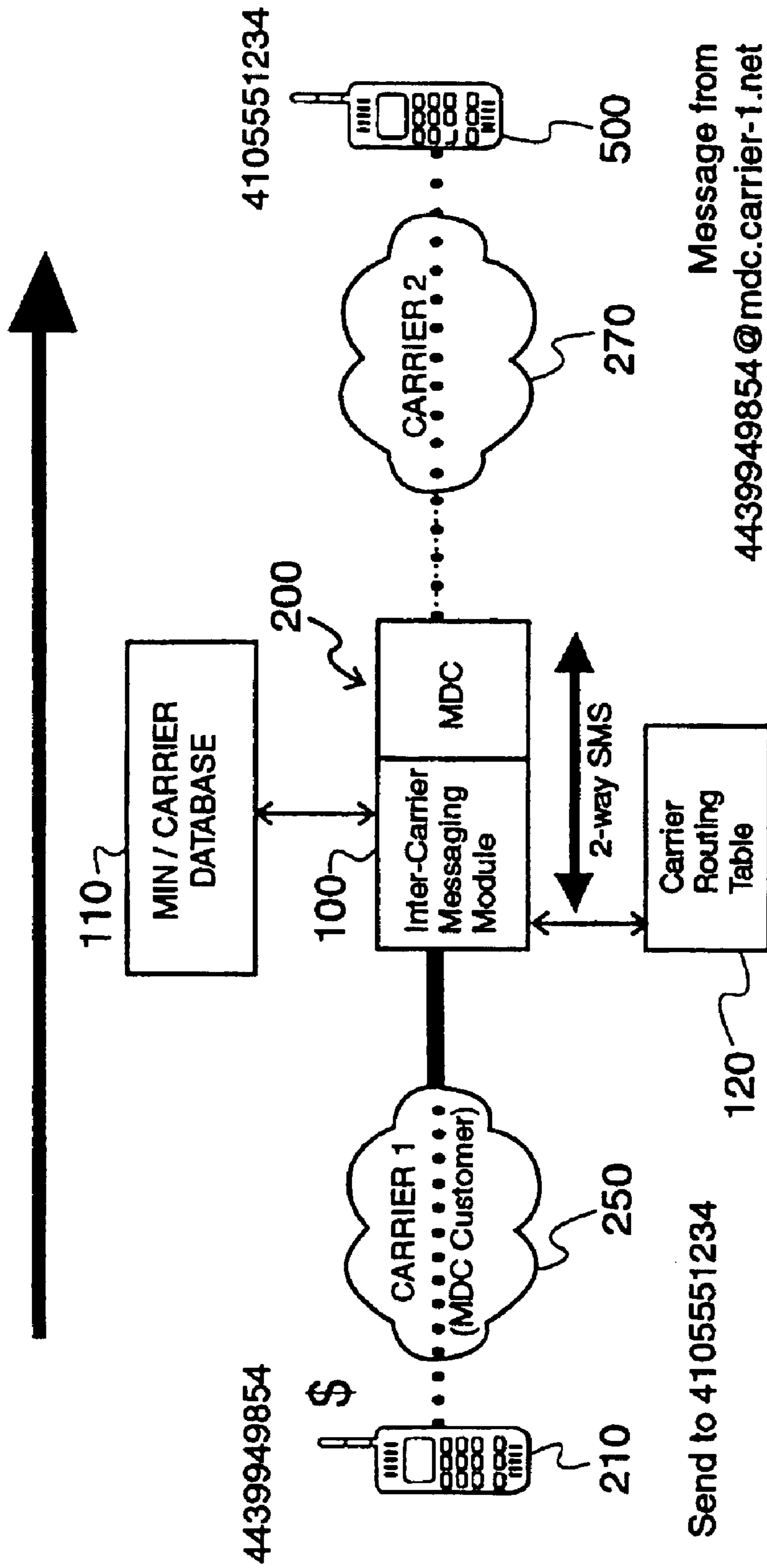


FIG. 6



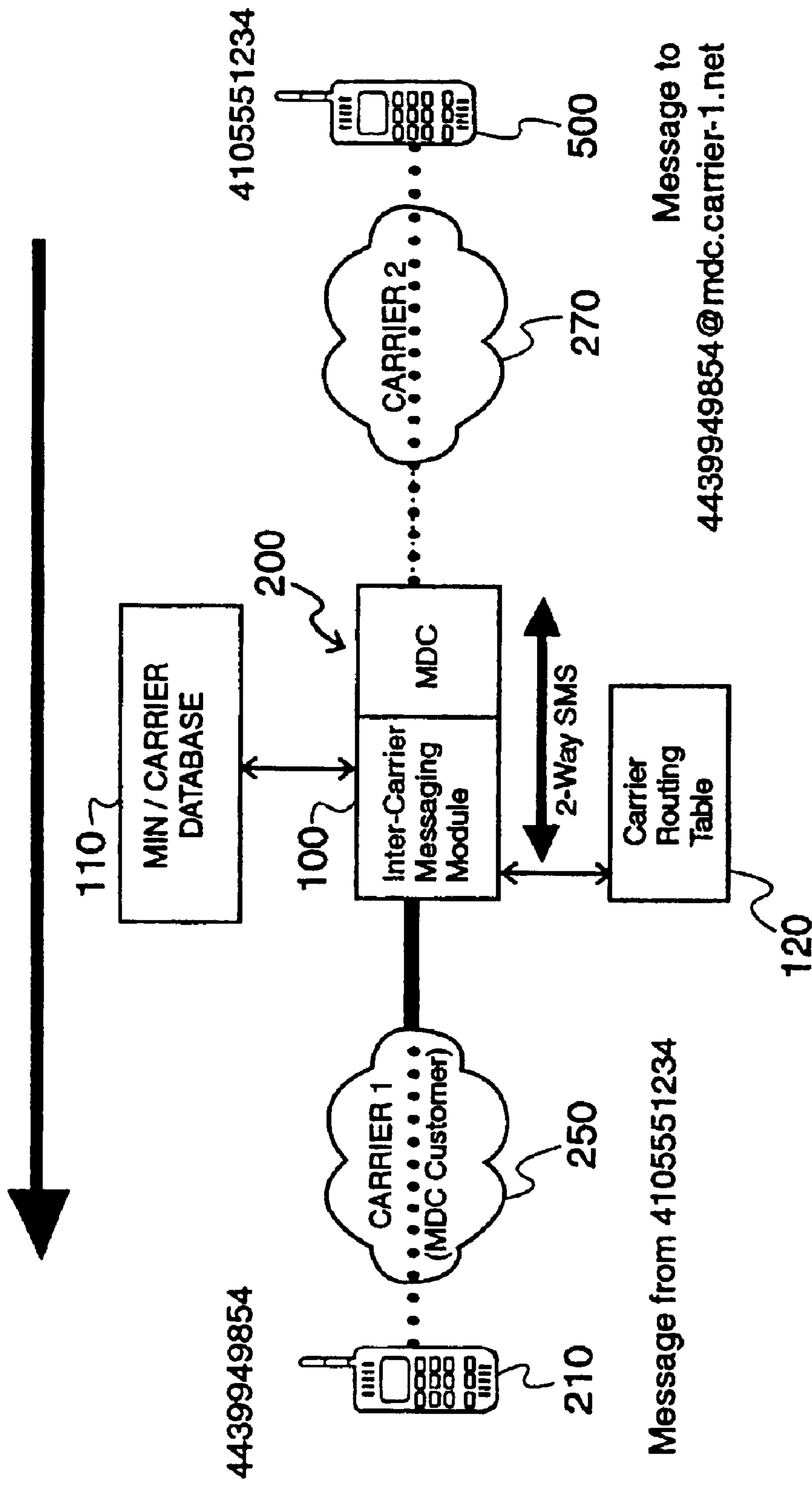


FIG. 7

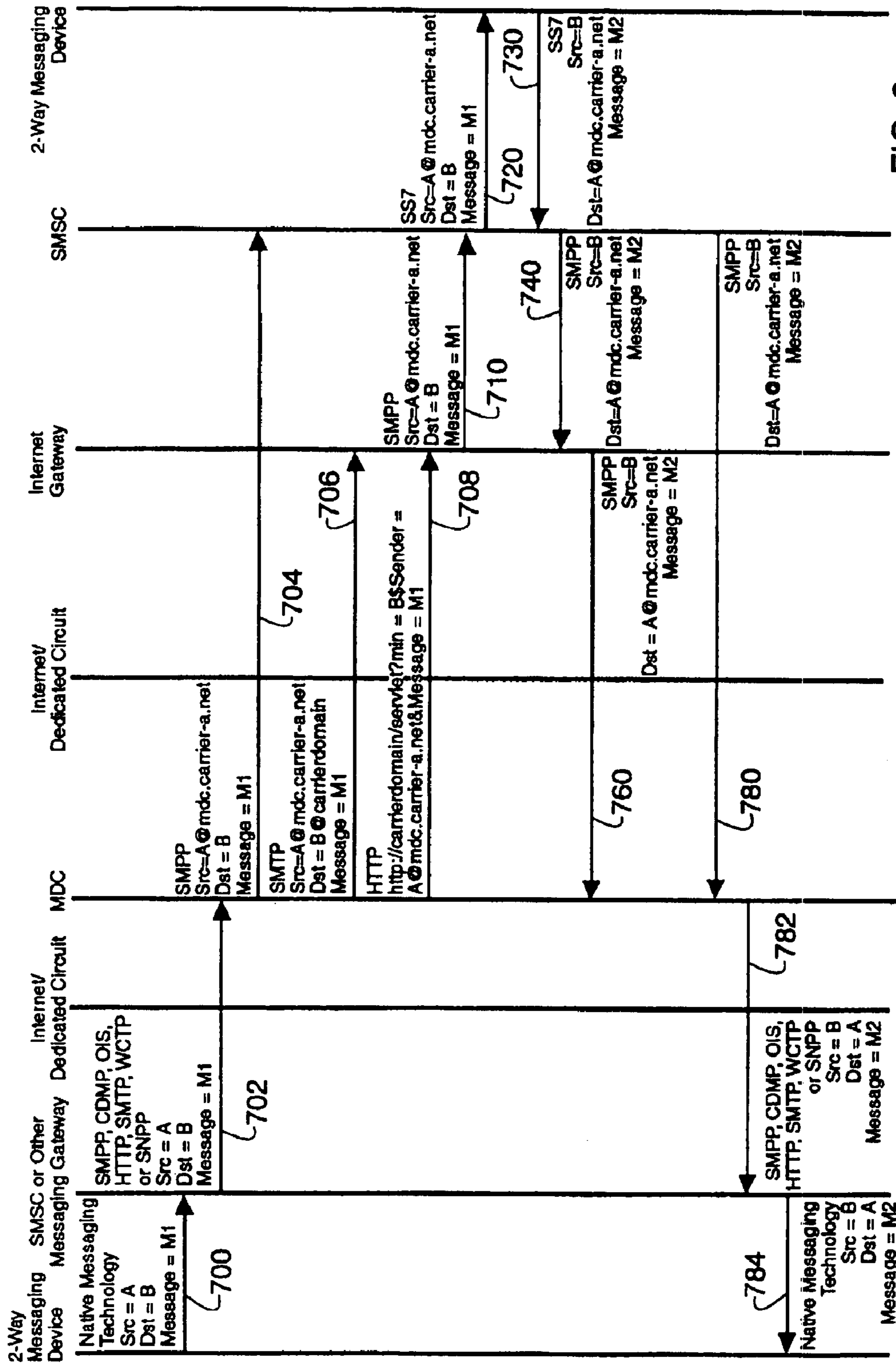


FIG. 8



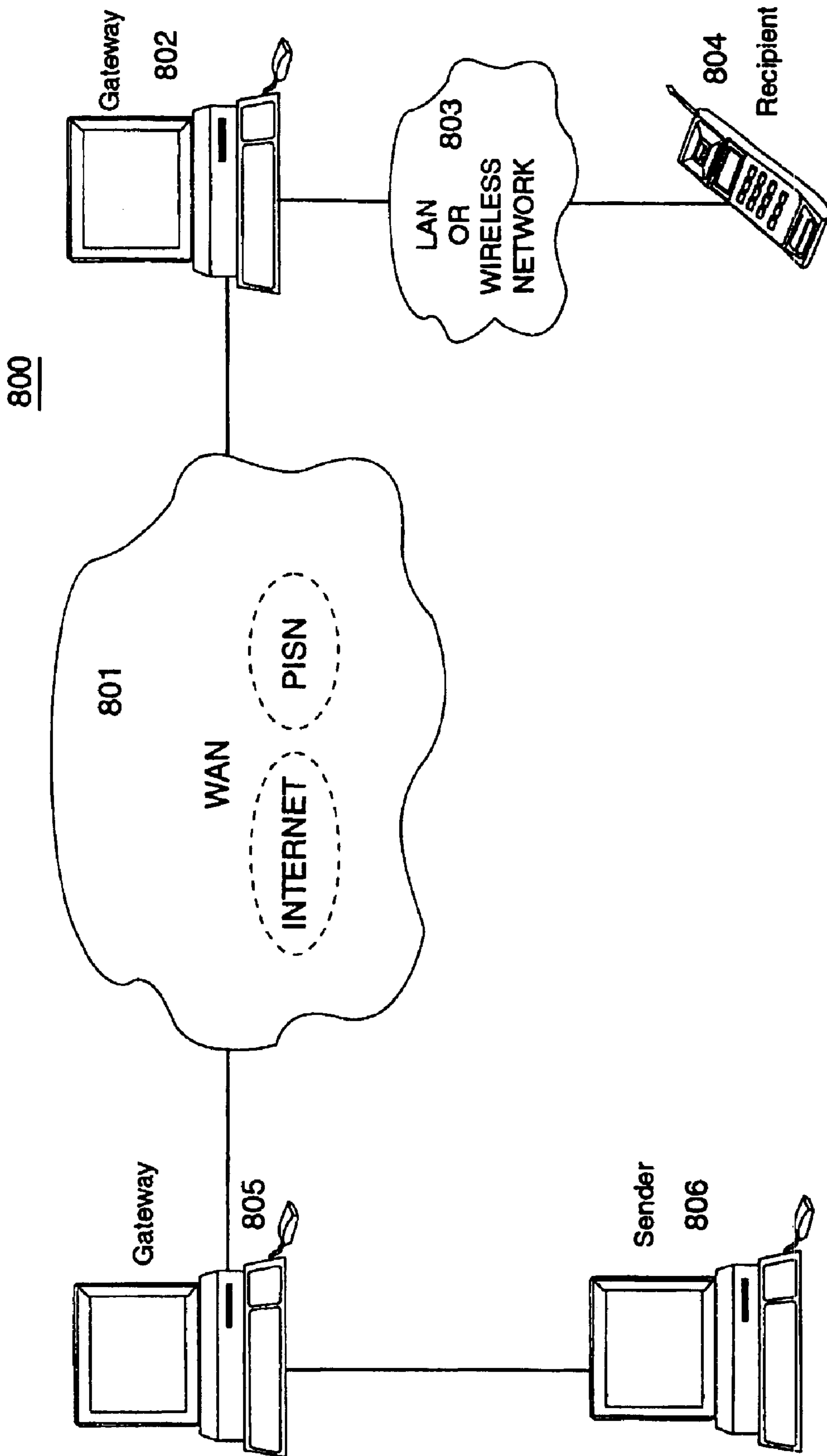


FIG. 9 (Prior Art)

**INTER-CARRIER SHORT MESSAGING  
SERVICE PROVIDING PHONE NUMBER  
ONLY EXPERIENCE**

**Matter enclosed in heavy brackets [ ] appears in the original patent but forms no part of this reissue specification; matter printed in italics indicates the additions made by reissue.**

This application claims priority from U.S. Provisional Application No. 60/316,973, filed Sep. 5, 2001, entitled "Internet Protocol (IP) Based Inter-Carrier Messaging Service", the entirety of which is expressly incorporated herein by reference.

BACKGROUND OF THE INVENTION

1. Field of the Invention

This invention relates generally to wireless carriers, Internet service providers (ISPs), and information content delivery services/providers. More particularly, it relates to short message service (SMS) messaging services provided between different carriers and/or between subscribers in different air interface standards.

2. Background of Related Art

We are now in what is called the information age. More than ever, the exchange of information, and the ability to do the same, has become an important technical necessity of modern society. With the introduction and now wide usage of the Internet, and the advances in telecommunications, a variety of means for exchanging information have proliferated to bring a great number of people together through the exchange of information.

In the early 1990s, as a result of the growing popularity of digital wireless technology, a standard for digital wireless networks was introduced in Europe. That standard, now known as the global standard for mobiles (GSM), included a service called short messaging service (SMS). One way in which information is exchanged is through short messages. A short message is typically a textual message, e.g., a paging message, e-mail or a voice mail message passed to and/or from various types of communication devices, e.g., cellular telephone handsets, telephones or computers with appropriate modems.

An SMS allows transmission of short messages, typically up to 160 characters, to and from communication devices, e.g., cellular telephone handsets, telephones or computers with appropriate modems. In North America, the SMS is currently implemented on digital wireless/mobile networks, such as a PCS network based on the GSM standard, code division multiple access (CDMA) and/or time division multiple access (TDMA) methods. Short message services are gaining in popularity, particularly in the United States.

Short message services are advantageous over text based paging services because of the capability of bi-directional communication. Such bi-directional communication allows, for example, notification to the originating device of the success or failure of the short message delivery.

Each SMS network typically includes a Short Message Service Center (SMSC) which acts as a store-and-forward mechanism providing guaranteed delivery of short messages to a subscriber, even if the subscriber is inactive when the message was transmitted, by delivering the short messages once the subscriber becomes active. Delivery of all short messages is guaranteed regardless of whether or not the intended subscriber is "on-line" because the transmitted short message is stored within the one SMSC assigned to

each intended subscriber, and delivered to the intended subscriber from their assigned SMSC when the subscriber becomes available.

A variety of services have been introduced using SMS networks including, for example, integrated electronic mail and fax, integrated paging, interactive banking, and information services such as stock quotes and airline schedule delivery.

In operation, an SMSC receives a short message from any source intended to be delivered to a particular subscriber. When the intended subscriber is not available because, for example, it is turned off or is outside of the service area of the SMS network, the attempt to deliver the short message at that time will fail. In this case, the short message will be retained in the SMSC assigned to that intended subscriber for a later delivery attempt. Thereafter, when the subscriber finally becomes available, e.g., is turned on or has moved into the service area of the SMS network, the relevant portions of the network (e.g., the mobile servicing center (MSC) and the home location register (HLR)) notify the SMSC to initiate delivery of the stored (i.e., previously failed) short messages.

FIG. 9 shows a general example of a short message exchange network. In particular, in FIG. 9, a text message is communicated between a first communication device (i.e., sender 806) and a second communication device (i.e., recipient 804). The sender 806 accesses a wide area network (WAN) such as the Internet or the Public Telephone Switching Network (PTSN). The short message from the sender 806 via gateway 805 is delivered to the recipient 804 via, e.g., a gateway 802 and a local area network (LAN) and/or wireless network 803.

Although the recipient 804 is shown as being a mobile phone handset, the recipient 804 may comprise, e.g., a computer device connected either through the LAN 803 or via a direct modem connection to the WAN (e.g., PTSN or the Internet) 801.

An example of a wireless short message exchange network is described in co-owned U.S. Pat. No. 6,208,870, entitled "SHORT MESSAGE SERVICE NOTIFICATION IN MULTIPLE SERVICE CENTER SHORT MESSAGE SERVICE NETWORK", the entirety of which is explicitly incorporated herein by reference.

An SMSC is a core short messaging router, which connects to the SS7 public network. An SMSC provides phone-to-phone two-way messaging within that carrier's network, either mobile originated or mobile terminated. To provide the ability for the SMSC to communicate over the web, a Wireless Internet Gateway (WIG) is added to the carrier's network. While an SMSC does have a direct Internet Protocol (IP) interface (i.e., Short Message Peer-to-Peer (SMPP)), a WIG acts as a multi-protocol router by typically adding, e.g., six or more additional carrier-class interfaces. A WIG provides an IP based door into a carrier's network.

SMPP is typically used to provide direct communications between SMSCs. Other direct communication links used between SMSCs include CDMP, which is MOTOROLA™ proprietary, and OIS, another proprietary protocol.

A suitable and appropriate WIG is shown and described in co-pending U.S. application Ser. No. 09/630,762, entitled "Wireless Internet Gateway", filed Aug. 2, 2000, the entirety of which is explicitly incorporated herein by reference.

A well known example of a system which delivers short messages is an electronic mail system, commonly referred to as e-mail. E-mail enables a sender to exchange information with a recipient from the respective communication devices, e.g., typically two remotely located computer devices.



Mobile devices such as wireless phones provide limited e-mail services. Wireless phones are designed to accept phone numbers quite easily, but are somewhat cumbersome when required to accept an alphanumeric e-mail address. When communicating between phone on different networks, subscribers must address messages to an e-mail address when communicating from phone-to-phone within the same network, only the phone number is required. Thus, text messages between wireless phones is generally limited in the United States to between subscribers within a common carrier's wireless network.

With current systems, Inter-Carrier e-mail messaging (i.e., between different carrier networks) from wireless devices requires input of a complete e-mail address. In particular, for a subscriber of a first carrier ("Carrier A") to send a message to a subscriber of another carrier ("Carrier B"), the subscriber of Carrier A must know and input a full e-mail address of the destination device.

Exemplary full e-mail addresses typically comprise a phone number, the "@" sign, and then a unique domain name used specifically for SMS messaging. An exemplary full e-mail address is 4105551234@mobile.myportal.xyzwireless.net. A phone number only experience can be provided to the subscriber of Carrier A only when sending an SMS message (e.g., e-mail) to a subscriber of the same Carrier A.

As an example, mobile terminated short messaging is currently available through web-page based services. For instance, VERIZON WIRELESS™ currently maintains a web page "msg.myvzw.com" for use only by VERIZON WIRELESS™ customers. Using this web page based approach, a user inserts a phone number of a known Verizon customer, types in a body of the desired message, and clicks on an enter key. However, this technique is available for mobile termination (not mobile originated) short messages only. Moreover, the sender must by default know to go to the Verizon web page, and thus have advance knowledge of the particular carrier servicing a particular phone number.

Mobile originated short messaging is also available, but is cumbersome to the user and does not provide a phone number only experience. In particular, to send a mobile originated short message, the sender must enter a phone number in their wireless phone, but the subscriber's network will be capable of sending an associated short message only to other subscriber's within the same carrier's network. To send the short message to a subscriber's serviced by another carrier's network, the subscriber must enter a complete alphanumeric e-mail address via their mobile phone (e.g., 4105551212@mobile.att.net). As discussed, entry of a lengthy list of alphanumeric characters via an alphanumeric keypad on a mobile phone is cumbersome at best, particularly since several letters are represented on any particular key, and some letters in the alphabet are not represented at all on the alphanumeric keypad.

Unfortunately, using this mobile originated technique, a sender must know beforehand: (1) Whether or not the subscriber is in fact on another network (thereby requiring a full e-mail address instead of just a phone number for in-carrier subscribers); and (2) The exact format address syntax of a phone number on the recipient's network (e.g., "@mobile.aft.net").

Most carriers in other parts of the world enjoy common technologies with adjacent carriers. For instance, most carriers in Europe have a wireless network conforming to the GSM standards. Accordingly, interconnection between SMSC's from different carriers is simple and straight for-

ward because they all use the same air interface (i.e., GSM). Thus, native SMS Inter-Carrier messaging may be accomplished through direct carrier-to-carrier interconnections. Accordingly, there is no technical barrier to interconnectivity, and a phone number only experience may be provided to these GSM system subscribers using native SMS Inter-Carrier messaging which is accomplished through direct carrier-to-carrier interconnections.

Unfortunately, the interconnection of like air interface technologies (such as GSM) is not generally an option in the US. In the US, each major US carrier has deployed a different, competing air interface technology (e.g., CDMA, TDMA, GSM, I-DEN (a spin-off of GSM, Motorola™ proprietary), Reflex (paging networks), etc.) There are approximately ten (10) different air interface technology protocols currently in use in the United States. While this technology dispersion allows carriers to differentiate their service offers from one another, the US consumer suffers inconvenience because of the lack of standardization and/or interoperability across networks.

Not only is the variety of air interface technologies an integration challenge in the United States (many carriers espouse the superiority of their particular air interface technology over those provided by competitors), but roaming agreements for voice and SMS traffic must be reached by all potential recipients of a short message. In Europe, roaming agreements between European countries are routinely established because of the commonality of the air interface technologies (and lack of 'technical superiority' claims by competitors).

Practically speaking, most people remember or note down the mobile phone number of desired people to call. However, most people have no knowledge of the exact carrier with which those desired people to call are serviced by. Without remembering the identity of the person's carrier, a subscriber has great difficulty in determining a full e-mail address for that person. Without changing US society to remember not only phone numbers of others but also which carrier each of the others are with, e-mail messaging between subscribers of different carriers will find adoption to be slow.

There is a need for providing subscribers of wireless carriers in the United States a phone number only experience, to facilitate and ensure the adoption and popularity of SMS messaging in general, and e-mail messaging in particular, in a mobile environment.

#### SUMMARY OF THE INVENTION

In accordance with the principles of the present invention, in a message distribution center, a phone number only experience is provided by a database associated subscriber MIN numbers with servicing carriers, and a database associating carriers with routing syntax. An inter-carrier messaging module receives a short message addressed with only a MIN number, performs a lookup in the database associating subscriber MIN numbers and in the database associating carriers with routing syntax, and adds routing syntax determined from the lookup to the MIN number.

A method of providing a phone number only experience to a subscriber in accordance with another aspect of the present invention comprises receiving an initial short message addressed to a MIN only, and associating a carrier providing service to the MIN. A new short message is formulated including a body of the initial short message and newly addressed to the MIN with a syntax associated with the carrier providing service to the MIN. The new short message is routed.



## BRIEF DESCRIPTION OF THE DRAWINGS

Features and advantages of the present invention will become apparent to those skilled in the art from the following description with reference to the drawings, in which:

FIGS. 1 and 2 depict a Message Distribution Center (MDC) including an Inter-Carrier Messaging module including a MIN/Carrier Database and a Carrier Routing Table to provide a subscriber with "phone number only" short messaging capabilities, in accordance with the principles of the present invention.

FIG. 3 shows exemplary interconnections between the MDC including an Inter-Carrier messaging module, and other carrier's subscribers using TCP/IP protocols, in accordance with the principles of the present invention.

FIG. 4 shows exemplary entries in an exemplary Mobile ID Number (MIN)/Carrier Database shown in FIGS. 1 and 2.

FIG. 5 shows exemplary entries in an exemplary Carrier Routing Table shown in FIGS. 1 and 2.

FIG. 6 depicts a phone number only experience for a subscriber of Carrier 1 to send a short message to a subscriber of another Carrier (e.g., which does not subscribe to the Service Bureau including the Inter-carrier Messaging Module), in accordance with the principles of the present invention.

FIG. 7 depicts a phone number only experience for a subscriber of Carrier 1 to receive a short message from a subscriber of another Carrier (e.g., which does not subscribe to the Service Bureau including the Inter-carrier Messaging Module), in accordance with the principles of the present invention.

FIG. 8 is an exemplary detailed "call flow" representing an IP-based Inter-Carrier Short Message Service message transaction via a Message Distribution Center Inter-Carrier Messaging Service, in accordance with the principles of the present invention.

FIG. 9 shows a general example of a short message exchange network.

## DETAILED DESCRIPTION OF ILLUSTRATIVE EMBODIMENTS

The present invention provides a phone number only messaging experience to subscribing customers using native SMS Inter-Carrier Messaging, i.e., "phone number only" messaging, as opposed to e-mail based messaging.

An Inter-Carrier Short Messaging System (IC-SMS) service in accordance with the principles of the present invention allows short messages to be sent between networks of different technologies using only a phone number. Subscriber to subscriber messages are routed between carrier's networks by a service bureau or similar function provided by the use of an Inter-Carrier messaging module with appropriate MIN/carrier/carrier routing look-up capabilities.

In operation, a subscriber of the service providing an Inter-Carrier messaging module may send a mobile originated (MO) short message, addressed only with a phone number, to a subscriber in another carrier's network. If in-network, the message is routed in SMSC. If not in-network, the message is sent to the ICM module. The service's Inter-Carrier messaging module determines that the destination address of the message is not a subscriber in the sender's same network. The Inter-Carrier messaging module of the Inter-Carrier service provider (ICSP) determines the appropriate carrier for the recipient, appends the appropriate syntax to the short message to allow internet protocol (IP) or other standardized communication tech-

niques between SMSCs of the two carriers, and routes the short message to the destination carrier. Once received, the destination carrier's network delivers the message to the final destination.

Furthermore, the present invention preferably allows the recipient in the other carrier's network to reply back to the ICSP's sender back to the sender using only the subscriber's directory number. This assists in the provision of a phone number only experience by the ICSP's subscriber.

The Inter-Carrier messaging module may store an instance of the expectation of a reply from the recipient (e.g., for a given period of time) to allow phone number only reply's, but it is preferred that the Inter-carrier messaging module simply recognize the intended recipient of a reply as being within the network of the ICSP, and effectively strip off any email syntax from the telephone number before forwarding the reply short message back to the original sender.

A Message Distribution Center (MDC) including an Inter-Carrier messaging module in accordance with the principles of the present invention empowers message providers (e.g., carriers, enterprises, web developers, content providers, etc.) with a single point of entry for the transaction of SMS messaging to a wide array of wireless networks.

The MDC including the Inter-Carrier messaging module preferably includes a carrier-grade Wireless Internet Gateway (WIG) such as the one shown and described in U.S. patent application Ser. No. 09/630,762, filed Aug. 2, 2000 by Richard Smith, the entirety of which is expressly incorporated herein by reference) in a hosted environment (e.g., a service bureau).

An MDC Inter-Carrier SMS Service in accordance with the principles of the present invention provides a short message clearinghouse providing subscribers with a capability that will enhance their communications freedom through seamless, simple SMS messaging to other subscribers, regardless of the destination network.

An Inter-Carrier Messaging Service in accordance with the principles of the present invention is a value-added service of the MDC that allows carriers to offer their subscribers a "phone number only" messaging experience regardless of the destination network. The MDC Inter-Carrier Messaging Service provides protocol translation and messaging routing service for all SMS messages terminating to addresses outside the sender's network. Additionally, the service may extend preferably the phone number only experience to mobile terminated messages that are a result of a "reply" to a short messages originating from other carriers/operators participating in the MDC Inter-Carrier Messaging Service.

FIGS. 1 and 2 depict a Message Distribution Center (MDC) including an Inter-Carrier Messaging module including a MIN/Carrier Database and a Carrier Routing Table to provide a subscriber with "phone number only" short messaging capabilities, in accordance with the principles of the present invention.

In particular, as shown in FIGS. 1 and 2, the MDC acts as a clearinghouse for message transactions between carrier networks.

Communication between a carrier's network and the MDC may be through the Short Message Peer to Peer (SMPP) protocol. The MDC preferably fully supports SMPP 3.3 and 3.4 as well as other SMSC interface protocols such as CDMP (Motorola proprietary), OIS (Sema proprietary), SNPP (paging operators) and WCTP (paging operators).

In FIG. 1, an MDC 200 includes an Inter-Carrier messaging modules 100, MIN/Carrier database 110, and Carrier



Routing Table **120**, in accordance with the principles of the present invention. The Inter-Carrier messaging module **100** enables phone number only short messaging between a subscriber's carrier **1 250** which subscribes to (or owns/maintains) the Inter-Carrier service provider (ICSP) providing the Inter-Carrier messaging module **100**, and subscribers **220, 230, 240** of other carrier's networks **260, 270, 280**, respectively.

FIG. **2** shows exemplary communication protocols between the subscriber's carrier **1 250**, using e.g., SMPP, and a recipient's carrier **3 260**, using e.g., SMPP, OIS, CDMP, WCTP, SMTP, and/or HTTP. The subscriber's carrier **1 250** includes an SMSC **251**, MSC **252**, and BS **253**. Carrier **3 260** includes a Wireless Internet Gateway **271** providing access (e.g., IP protocol access) to an SMSC **272**, MSC **273**, and base station BS **274**.

With respect to interoperability, at the heart of the Message Distribution Center **200** is the carrier-proven technology of a Wireless Internet Gateway (WIG) such as that shown and described in U.S. application Ser. No. 09/630,762.

The Wireless Internet Gateway passes text messages between the Internet (via HTTP, SMTP, and other common Internet protocols) and a carrier's Short Message Service Center (SMSC). The WIG is currently operational in many carrier networks worldwide interoperating with SMSCs that support SMPP, CDMP, and/or OIS protocols.

FIG. **3** shows exemplary interconnections between the MDC including an Inter-Carrier messaging module, and other carrier's networks using TCP/IP protocols, in accordance with the principles of the present invention.

In particular, as shown in FIG. **3**, one communication method between the MDC **200** and a carrier is via SMPP or RMI, as depicted by Carrier 1, which includes a Wireless Internet Gateway **1010**, SMSC **1012**, STP **1014**, and MSC **1016**. This communication technique does not require a carrier agreement between the sending carrier and the receiving carrier, and is very fast to market.

Alternatively, as depicted by carrier **2** in FIG. **3**, an SMPP, CDMP, OIS or RMI protocol communication path may be used between the MDC **200** and the Wireless Internet Gateway **1110** of the other carrier. In such a case, the Wireless Internet Gateway **1110** would use SMPP, CDMP or OIS protocol communications with the SMSC **1112** of that carrier **2**. The SMSCs **1012, 1112**, STPs **1014, 1114**, and MSCs **1016, 1116** utilize SS7 protocols. This second type carrier network supports 1-way SMS, is capable of providing a 2-way SMS, and no protocol conversion is required.

The Message Distribution Center **200** is a store and forward messaging platform. The disclosed MDC **200** utilizes a store and forward approach to assure message delivery, complete message tracking, and maximum billing flexibility.

Most SMS service providers currently operate using open SMTP or HTTP gateways. The MDC **200** preferably provides inside-the-network connectivity with all the major domestic carriers and as many tier 2 and 3 carriers as is feasible.

Where inside-the-network connections are unavailable, it is preferred that open SMTP and HTTP gateway connections to carriers be used.

Preferably, the MDC **200** supports message routing to Tier 2, Tier 3 and paging operators.

Custom control methods may be implemented to enable the MDC **200** to restrict incoming and outgoing messages to other carrier networks. These methods would allow the

MDC **200** to turn incoming and/or outgoing messaging "off" on a carrier by carrier basis. Specific bounce rules and error messages, as well as related reporting requirements, may be defined by the operator of the MDC **200**.

In addition to the above, one or more categories of "anti-spam" functionality may be defined to allow the MDC **200** to control the flow of particular unsolicited messages, either from a single source (e-mail address) or a single domain on the following criteria a) number of allowable messages sent to a MIN in a given period of time b) number of messages sent from a particular source, including e-mail address or IP number, and c) messages with a particular subject field (e.g. "I LOVE YOU").

In the disclosed embodiments, seven different interface methods are provided by which SMS messages can be transmitted to wireless and paging carriers including SMTP, HTTP, Win Socket connection, XML Remote Procedure Calls, SMPP and WCTP.

#### SMTP Simple Mail Transport Protocol

For developers interested in transmitting text messages using the SMTP e-mail protocol, this capability may be provided in an easy to use format. Simplicity is the benefit of this access method. Functionality, however, is limited. This method does not allow developers to take full advantage of the Application Programming Interface (API)'s capability to track a message's status or set expiration time. For more advanced capabilities, developers must utilize one of the other interface methods.

#### HTTP Hypertext Transport Protocol

Messages can also be distributed to wireless devices by submitting various parameters for the MIN, text message, login, password, etc. to a URL. Messages can be transmitted using Secure Socket Layer (SSL) for secure transmission to the MDC. Responses to HTTP posts can be returned in either standard Hypertext Markup Language (HTML) or Extensible Markup Language (XML) for easier data manipulation.

#### Win Socket Command Line

Developers may choose to interface with the MDC through a robust Win Socket Command Line interface that provides them with complete access to the full power of the MDC's API via a Telnet session.

#### XML-RPC Extensible Markup Language-Remote Procedure Calls

XML programmers will be familiar with the XML Remote Procedure Call (XML-RPC) interface to the API. The XML-RPC interface may be imbedded within an application and messages may be "posted" using the XML-RPC specifications.

#### SMPP-Short Message Peer-to-Peer

The Short Message Peer to Peer protocol is an open industry standard messaging protocol designed to simplify integration of data applications with wireless mobile networks. The protocol is widely deployed in the mobile telecommunications industry. Currently, the MDC supports limited SMPP functionality with complete support for SMPP 3.4 scheduled for release in Q3 2001.

#### SNPP-Simple Network Paging Protocol

The Simple Network Page Protocol is a paging industry standard messaging protocol designed to simplify integra-



tion of data applications with paging networks. The protocol is widely deployed within the paging industry.

#### WCTP-Wireless Communications Transfer Protocol

The Wireless Communications Transfer Protocol (WCTP) is specifically aimed at creating an easy means of passing alphanumeric and binary messages to and from wireline systems and two-way capable wireless devices. Although introduced through the paging industry, WCTP is directly applicable for messaging to and from most other wireless technologies including PCS, GSM, and cellular.

Preferably, the MDC supports Deliver\_\_SM and Submit\_\_SM operations for SMPP specification versions 3.4 and 3.3, and similar operations in future versions of SMPP, e.g., SMPP version 5.0.

The MDC's current production capacity is 80 to 100 messages/second. At the core of the MDC's architecture is a Wireless Internet Gateway (WIG). The WIG is a highly scalable and available carrier grade product. Preferably, the WIG architecture allows the addition of additional WIGs (as well as other network components) to increase capacity on an as-needed basis. Usage capacity may be monitored and additional capacity may be added on an as needed basis.

Statistics used to determine latency times for the MDC include the entire time period from when a message is first received by the MDC until the time the MDC receives an acknowledgement that the carrier has received the message. Given that assumption, the minimum latency of the disclosed MDC is under one second, and the average latency is approximately 2.5 seconds. The maximum latency of the MDC is essentially irrelevant because the longest latencies typically occur in situations where the destination carrier's gateway is unavailable for a period due to problems with the carrier network. In this situation, the MDC continues to retry sending the message until the message expires (a configurable parameter) or until the carrier's gateway becomes available.

Multiple carrier-class Network Operating Centers (NOCs) may be maintained throughout the country, connected via redundant T-1s and having mirrored applications and servers at each location.

The primary components of the MDC's application software functions include protocol stacks and other interface methods that accept messages from outside sources. Supported input protocols and access methods include SMPP, SMTP, HTTP, WCTP, XML-RPC, and a proprietary command line interface accessible via a TelNet session. Other components include message provider validation and message tracking and billing functions, MIN destination validation functions; message queuing functions, message routing to destination carriers based upon MIN ranges, and outgoing message transmission to destination carriers (including message throttling based upon destination carrier's specifications).

It is preferred that most software be written in Java language, enabling portability and reuse across numerous operating environments. The software design is also preferably modular, to take advantage of Remote Method Invocation (RMI). RMI enables various components to be distributed across servers increasing system performance by spreading processing power across different physical servers. Furthermore, it is preferred that the software be object oriented and multi-threaded. A suitable database engine may be that commercially available from ORACLE™, to provide strong performance, high availability, and scalability.

FIG. 4 shows exemplary entries in an exemplary Mobile ID Number (MIN)/Carrier Database **110** shown in FIGS. 1 and 2.

In particular, as depicted in FIG. 4, a first entry **310** includes an association between the MIN (i.e., phone number) 410-555-1212, and its carrier, AT&T™. The second entry **320** indicates that the phone number 410-123-4567 is serviced by Verizon™, and the third entry **330** indicates that a fourth MIN 212-654-3210 is serviced by Sprint™.

Preferably, the entries in the MIN/Carrier database may encompass a great majority of all MINs. For instance, in the preferred embodiment, the MIN/Carrier database **110** is filled with information from the FCC mandated Local Exchange Registry (LER) which currently includes approximately 85% of the MINs in use in the United States. Of course, those MINs may be augmented as necessary or desired with MINs not otherwise in the LER, within the principles of the present invention.

FIG. 5 shows exemplary entries in an exemplary Carrier Routing Table **120** shown in FIGS. 1 and 2.

In particular, as shown in FIG. 5, a first entry **488** indicates that communication between the Inter-Carrier service provider (ICSP) and the carrier "AT&T" is by SMTP protocol (i.e., e-mail), and that the phone number only short messages received for delivery to AT&T should be appended with the syntax "@mobile.att.net". A second entry **489** indicates that communication between the ICSP and the carrier "Verizon" is by SMTP protocol, and that short messages send with phone number only should be appended with the syntax "@mobile.myportal.xyzwireless.net".

The exemplary carrier routing table **120** shown in FIG. 5 may be extended to include a country of the carrier, allowing inclusion of necessary syntax (e.g., a country code appended to an email address), use of particular communication links, etc.

The advantages of a phone number only short messaging experience in accordance with the principles of the present invention can be readily appreciated when considering the alternatives (presuming that the sender knows the particular carrier associated with a recipient's phone number) of manual entry of the syntaxes such as "@mobile.myportal.xyzwireless.net".

FIG. 6 depicts a phone number only experience for a subscriber **210** of Carrier 1 **250** to send a short message to a subscriber **500** of a different Carrier 2 **270** (e.g., which does not subscribe to the ICSP (i.e., Service Bureau) including the Inter-carrier Messaging Module). In particular, as shown in FIG. 6, the subscriber **210** need only send a short message using the simple phone number 410-555-1234 of subscriber **500**, with the Inter-Carrier messaging module **100** automatically determining the carrier provider servicing subscriber **500**, the method of communication between the Inter-Carrier messaging module **100** of the MDC **200** and the carrier 2 **270**, and then adding (e.g., appending) the appropriate syntax to the phone number to actually address the short message to "410-555-1234".

In accordance with the principles of the present invention, the short message sent by subscriber **210** to subscriber **555** is preferably sent with the sender's address in phone number only form, to facilitate the reply of a phone number only short message back to the original subscriber **210**. However, the present invention preferably accommodates reply short messages (and/or new short messages) to a subscriber **210** using the full, formal SMTP address such as "443-994-9854@mdc.carrier-1.net".

While the embodiments of the present invention relate to the addition of syntax to the end of a phone number (i.e., appending the syntax), the present invention relates equally



to the addition of a prefix to the phone number, the insertion of syntax information within the phone number, and/or to the addition of suffix information at the end of the phone number.

FIG. 7 depicts a phone number only experience for a subscriber **210** of Carrier 1 **250** to receive a short message from a subscriber **500** of another Carrier 2 **270**, e.g., which does not subscribe to the ICSP or Service Bureau including the Inter-carrier Messaging Module **100** in accordance with the principles of the present invention.

In particular, subscriber **500** sends a short message addressed to 4439949854@mdc.carrier-1.net. This would conventionally arrive at the subscriber's phone number **210** indicating a source using more than simply a phone number, which violates the preferred embodiments of the present invention wherein a clean phone number only experience is desired.

To provide a phone number only experience in accordance with the present embodiment, the short message to subscriber **210** is routed through the Inter-Carrier messaging module **100**, where the syntax in the source address of the short message is stripped down preferably to only the phone number. In this way, the subscriber **210** sees a short message which appears to them to have been sent by "4105551234".

In operation, with reference to FIG. 1, Carrier 1 **250** receives a short message from a subscriber **210** with a destination address of a phone number only (i.e., MIN). The SMSC of the Carrier **250** reviews the intended destination of the short message. If the Carrier **250** does not recognize the phone number as being another subscriber of the Carrier **250**, then the Carrier **250** dumps the short message with the phone number to the Inter-Carrier Messaging Module **100** of the MDC **200** over, e.g., an SMPP communication pathway.

The Inter-Carrier Messaging Module **100** accesses the MIN/Carrier database **110** to perform a MIN database lookup, which returns with the name of the carrier (e.g., Verizon) providing service to that phone number.

Thereafter, the Inter-Carrier Messaging Module **100** accesses the Carrier Routing Table **120** to determine how the MDC **200** communicates with the particular carrier returned from the MIN/Carrier database lookup (e.g., SMTP). Moreover, the Carrier Routing Table **120** also preferably returns the appropriate syntax to add to the phone number to properly route the short message (e.g., "@msg.myvzw.com")

With the appropriate syntax now in hand, the Inter-Carrier Messaging Module **100** assembles a new short message, including the phone number with syntax added (e.g., 4107033375@msg.myvzw.com), the body of the short message, the originator address, and optional parameters such as priority, expiration, etc.

Inclusion of the source address (i.e., phone number) provides the recipient with the ability to reply to the received short message. The source address could include the full address of the source, including both the phone number and the appropriate syntax, but this would result in a possible reply short message which would violate the desired phone number only experience for subscribers of certain carriers. Therefore, preferably, the source address in the originally sent short message is added such that any reply short message would be forced back through the MDC **200** including the Inter-Carrier Messaging Module, which would recognize the phone number of the new recipient, and would forward the short message with the syntax stripped off.

For instance, the source address of the original short message can be set at the phone number of the subscriber **210**,

together with the syntax of the MDC **200** (e.g., 4439110002@mdc.att.net). The Inter-Carrier Messaging Module **100** would copy the body of the reply short message coming from the non-subscribing carrier (i.e., with syntax included in the destination address), apply the optional parameters, perform another MIN table lookup, and routing table lookup, thus formulating a new short message, and deliver the reply short message back to the subscriber **210** of the customer carrier **250**.

FIG. 8 is an exemplary detailed "call flow" representing an IP-based Inter-Carrier Short Message Service message transaction via a Message Distribution Center Inter-Carrier Messaging Service, in accordance with the principles of the present invention.

Step **700**: Subscriber A originates a message to Subscriber B from their 2-way Messaging Device. The message is addressed to Subscriber B's phone number (i.e., to the subscriber's Mobile Identification Number (MIN) only).

Step **702**: Carrier A's network elements identify non-Carrier A addresses and forwards them to the MDC via, e.g., SMPP, CDMP, OIS, Hypertext Transfer Protocol (HTTP) (i.e., the web), SMTP (i.e., e-mail), Wireless Communications Transport Protocol (WCTP) (i.e., paging networks), Simple Network Paging Protocol (SNPP), XML-RPC or TCP/IP socket API.

Step **704**, or **706** or **708**: As the MDC receives the message from Carrier A, it first determines the destination carrier (Carrier B) as well as the protocol supported by Carrier B. Then the MDC appends the MDC/Carrier A domain (mdc.carrier-a.net in the diagram) to Subscriber A's phone number and routes the message accordingly.

Step **710**: Carrier B's wireless Internet gateway routes the message to carrier B's own SMSC.

Step **720**: SMSC of Carrier B delivers message to subscriber B's 2-way messaging device via appropriate air interface (e.g., over an SS7 link).

Step **730**: Subscriber B replies to the message. The message is routed to Carrier B's SMSC via appropriate air interface (e.g., over an SS7 link).

Step **740**, **760** and **780**: Depending upon the type of relationship enjoyed with the Carrier B, messages are either transported directly from Carrier B's SMSC to the MDC using SMPP (or other protocol) OR they are directed to Carrier B's Internet gateway using SMPP (or other protocol) and then onto the MDC using SMTP or HTTP.

Step **782**: The MDC receives a mobile originated message from Carrier B replying to the original message. The MDC routes the message to Carrier A's network.

Step **784**: Carrier A's network receives the message and forwards it to Subscriber A's 2-Way Messaging Device.

Another function of the call flow shown in FIG. 8 is that it allows for delivery receipt notification between Carrier A's devices and Carrier B's devices which support delivery receipts.

Through the Message Linking feature, the MDC **200** determines the length of message supported by Carrier B and, if necessary, breaks lengthy messages into multiple linked messages.

The present invention allows 2-way pagers with query keyboards to send short messages using phone number only addressing to any mobile phone (or to any other pager).

The phone number only capabilities of an Inter-Carrier Messaging Module and associated databases in accordance with the principles of the present invention has the capability to bridge non-SMS messaging devices, e.g., ReFlex and Mobitex pagers.



## 13

The present invention provides multiple benefits. For instance, simple "phone number only" SMS messaging across major carrier networks will add significantly to the continued adoption of SMS messaging particularly in the United States. Additionally, carriers can structure their pricing plans to recognize additional revenue from Inter-Carrier messages through the control and management of Inter-Carrier Messaging in accordance with the principles of the present invention.

Moreover, the present invention provides SMS traffic management and control, and a potential additional revenue stream for a carrier from international messaging.

The invention has particular use with respect to cellular and PCS carriers, and paging network operators (e.g., Verizon Wireless, AT&T Wireless, Sprint PCS, VoiceStream, SkyTel, etc.) in North America as well as other markets served by operators employing disparate air interface technologies.

While the invention has been described with reference to the exemplary embodiments thereof, those skilled in the art will be able to make various modifications to the described embodiments of the invention without departing from the true spirit and scope of the invention.

What is claimed is:

1. In a message distribution center, a *system for processing a short message addressed with a phone number only* [experience provided by], comprising:

a database associating subscriber MIN numbers with servicing carriers;

a database associating carriers with routing syntax; and

an inter-carrier messaging module to receive a short message addressed with only a MIN number, to perform a lookup in said database associating subscriber MIN numbers and in said database associating carriers with routing syntax, and to add routing syntax determined from said lookup to said MIN number.

2. In a message distribution center according to claim 1, wherein:

said database associating subscriber MIN numbers with servicing carriers and said database associating carriers with routing syntax are in a common database.

3. In a message distribution center according to claim 1, wherein:

said MIN is a phone number.

4. In a message distribution center according to claim 1, wherein:

said message distribution center forms a store and forward short messaging platform.

5. A method [of providing] *for processing a short message addressed with a phone number only* [experience to a subscriber], comprising the steps of:

receiving *from a first carrier* an initial short message addressed to a MIN only;

associating a *different* carrier providing service to said MIN;

formulating a new short message including a body of said initial short message and newly addressed to said MIN

## 14

with a syntax associated with said *different* carrier providing service to said MIN; and

routing said new short message.

6. The method [of providing] *for processing a short message addressed with a phone number only* [experience to a subscriber] according to claim 5, wherein:

said phone number only addressed short message is received at, and said new short message is routed from, a service bureau.

7. The method [of providing] *for processing a short message addressed with a phone number only* [experience to a subscriber] according to claim 5, wherein:

said MIN is a phone number.

8. The method [of providing] *for processing a short message addressed with a phone number only* [experience to a subscriber] according to claim 5, wherein:

said MIN with said added syntax associated with said carrier providing service to said MIN forms a routable address.

9. The method [of providing] *for processing a short message addressed with a phone number only* [experience to a subscriber] according to claim 8, wherein:

said routable address is an e-mail address.

10. Apparatus for providing a *short message addressed with a phone number only* [experience to a subscriber], comprising:

means for receiving *from a first carrier* an initial short message addressed to a MIN only;

means for associating a *different* carrier providing service to said MIN;

means for formulating a new short message including a body of said initial short message and newly addressed to said MIN with a syntax associated with said *different* carrier providing service to said MIN; and

means for routing said new short message.

11. The apparatus for providing a *short message addressed with a phone number only* [experience to a subscriber] according to claim 10, wherein:

said phone number only addressed short message is received at, and said new short message is routed from, a service bureau.

12. The apparatus for providing a *short message addressed with a phone number only* [experience to a subscriber] according to claim 10, wherein:

said MIN is a phone number.

13. The apparatus for providing a *short message addressed with a phone number only* [experience to a subscriber] according to claim 10, wherein:

said MIN with said added syntax associated with said carrier providing service to said MIN forms a routable address.

14. The apparatus for providing a *short message addressed with a phone number only* [experience to a subscriber] according to claim 13, wherein:

said routable address is an e-mail address.

\* \* \* \* \*





US00RE41006C1

(12) **INTER PARTES REEXAMINATION CERTIFICATE** (0281st)

**United States Patent**

**Knotts**

(10) **Number:** **US RE41,006 C1**

(45) **Certificate Issued:** **Jul. 19, 2011**

(54) **INTER-CARRIER SHORT MESSAGING SERVICE PROVIDING PHONE NUMBER ONLY EXPERIENCE**

(75) **Inventor:** **Chris Knotts**, Annapolis, MD (US)

(73) **Assignee:** **Telecommunication Systems, Inc.**, Annapolis, MD (US)

5,459,773 A	10/1995	Hwang
5,469,283 A	11/1995	Vinel et al.
5,475,743 A	12/1995	Nixon et al.
5,515,422 A	5/1996	MeLampy et al.
5,524,010 A	6/1996	Boltjes
5,533,108 A	7/1996	Harris et al.
5,535,260 A	7/1996	Zicker et al.
5,559,859 A	9/1996	Dai et al.
5,592,533 A	1/1997	McHenry et al.

**Reexamination Request:**

No. 95/001,271, Nov. 25, 2009

(Continued)

**Reexamination Certificate for:**

Patent No.: **Re. 41,006**  
 Issued: **Nov. 24, 2009**  
 Appl. No.: **11/174,419**  
 Filed: **Jul. 5, 2005**

**FOREIGN PATENT DOCUMENTS**

WO	WO 97/36450 A1	10/1997
WO	WO98-56195 A3	12/1998
WO	WO00-54488 A1	9/2000
WO	WO 00/54488 A1	9/2000
WO	WO00-79813 A1	12/2000

**Related U.S. Patent Documents**

Reissue of:

(64) Patent No.: **6,658,260**  
 Issued: **Dec. 2, 2003**  
 Appl. No.: **09/985,032**  
 Filed: **Nov. 1, 2001**

**OTHER PUBLICATIONS**

Held, Gilbert *Data Over Wireless Networks: Bluetooth, WAP, & Wireless LANs*, McGraw-Hill, 2001, Chapter 5, pp. 105-108.

(Continued)

**Related U.S. Application Data**

(60) Provisional application No. 60/316,973, filed on Sep. 5, 2001.

(51) **Int. Cl.**  
**H04W 4/00** (2006.01)

(52) **U.S. Cl.** ..... **455/466**; 455/412.1; 455/412.2; 455/552.1

(58) **Field of Classification Search** ..... None  
See application file for complete search history.

(56) **References Cited**

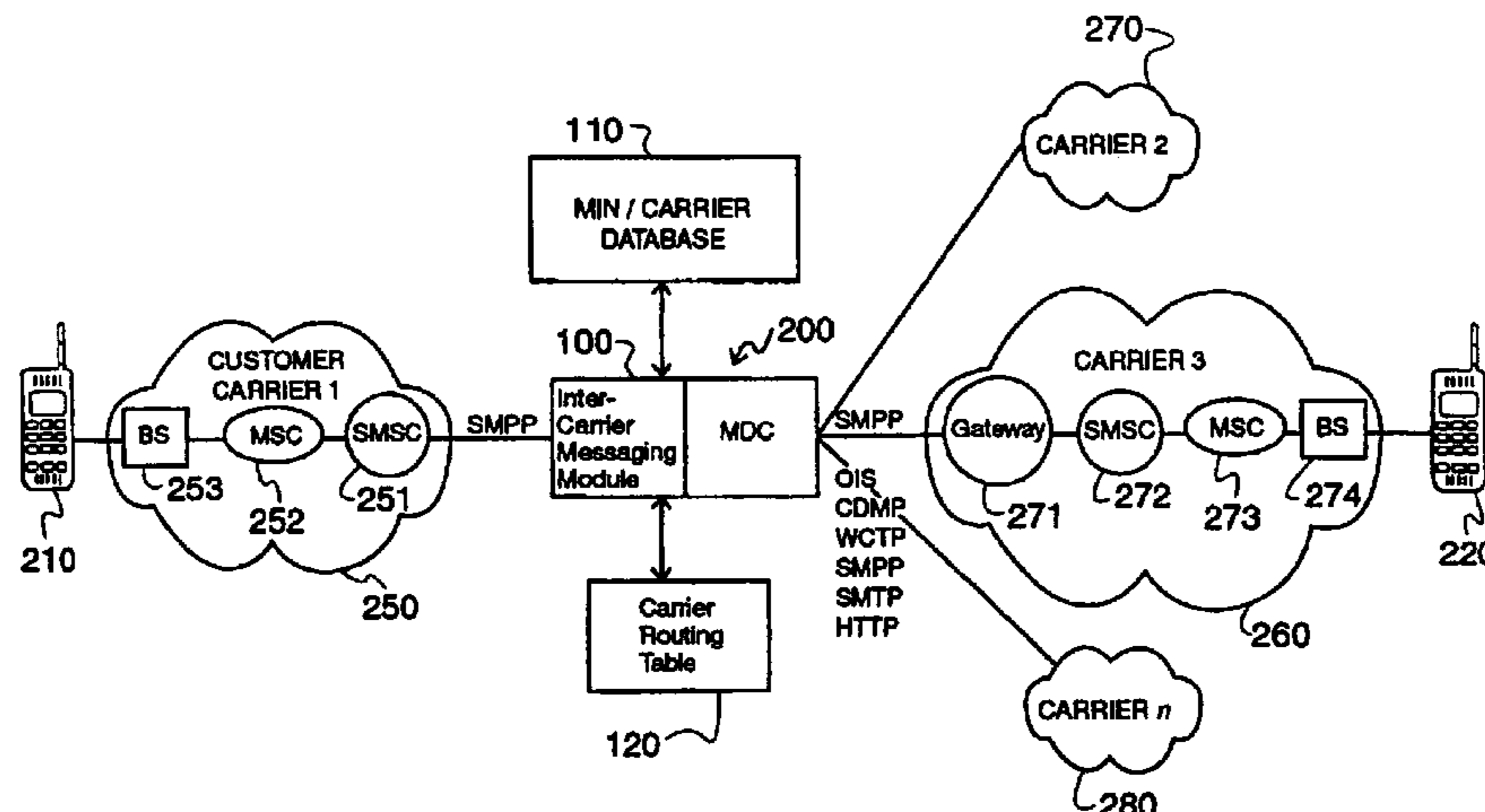
**U.S. PATENT DOCUMENTS**

4,577,060 A	3/1986	Webb et al.
4,994,926 A	2/1991	Gordon et al.
5,193,110 A	3/1993	Jones et al.
5,307,399 A	4/1994	Dai et al.
5,375,161 A	12/1994	Fuller et al.
5,402,472 A	3/1995	MeLampy et al.

*Primary Examiner*—Matthew Heneghan

(57) **ABSTRACT**

A phone number only messaging experience is provided in an Inter-Carrier Short Messaging System (IC-SMS) service. Subscriber to subscriber messages are routed between carrier's networks using an Inter-Carrier messaging module with appropriate MIN/carrier/carrier routing look-up capabilities. Short messages may be sent to a subscriber in another carrier's network addressed only with a phone number. If the recipient is outside of the sender's carrier network, the Inter-Carrier messaging module of the Inter-Carrier service provider (ICSP) determines the appropriate carrier for the recipient, appends the appropriate syntax to the short message to allow internet protocol (IP) or other standardized communication techniques between SMSCs of the two carriers, and routes the short message to the destination carrier. The recipient in the other carrier's network may reply back to the ICSP's sender using only the subscriber's directory number.



## U.S. PATENT DOCUMENTS

5,608,786	A	3/1997	Gordon et al.
5,610,969	A	3/1997	McHenry et al.
5,621,727	A	4/1997	Vaudreuil
5,666,364	A	9/1997	Pierce et al.
5,752,191	A	5/1998	Fuller et al.
5,758,279	A	5/1998	Foti
5,799,060	A	8/1998	Kennedy et al.
5,806,000	A	9/1998	Vo et al.
5,825,862	A	10/1998	Voit et al.
5,832,061	A	11/1998	Rubin
5,841,837	A	11/1998	Fuller et al.
5,850,519	A	12/1998	Vazana
5,864,612	A	1/1999	Strauss et al.
5,903,636	A	5/1999	Malik
5,905,447	A	5/1999	Eaton et al.
5,910,980	A	6/1999	Ogasawara et al.
5,915,225	A	6/1999	Mills
5,924,016	A	7/1999	Fuller et al.
5,970,404	A	10/1999	Foti
5,978,358	A	11/1999	Wang et al.
6,006,087	A	12/1999	Amin
6,014,559	A	1/2000	Amin
6,020,980	A	2/2000	Freeman
6,021,335	A	2/2000	Zicker et al.
6,040,784	A	3/2000	Miller
6,044,275	A	3/2000	Boltz et al.
6,119,014	A	9/2000	Alperovich et al.
6,128,482	A	10/2000	Nixon et al.
6,157,832	A	12/2000	Lahtinen
6,223,046	B1	4/2001	Hamill-Keays et al.
6,233,331	B1	5/2001	Slutsman et al.
6,240,293	B1	5/2001	Koster
6,240,296	B1	5/2001	Yu et al.
6,351,235	B1	2/2002	Stilp
6,373,930	B1	4/2002	McConnell et al.
6,400,940	B1	6/2002	Sennett
6,459,882	B1	10/2002	Palermo et al.
6,512,926	B1	1/2003	Henry-Labordere
6,856,808	B1	2/2005	Comer et al.
7,013,156	B2	3/2006	Smith et al.
7,100,195	B1	8/2006	Underwood
7,181,538	B2	2/2007	Tam et al.
7,200,634	B2	4/2007	Mendiola et al.
7,203,507	B2	4/2007	Smith et al.
7,209,950	B2	4/2007	Bennett et al.
7,228,333	B1	6/2007	Smith
7,672,267	B2	3/2010	Tsai et al.
2002/0172121	A1	11/2002	Takeo

## OTHER PUBLICATIONS

Tanenbaum, Andrew S., *Computer Networks*, "Electronic Mail:", Prentice Hall, 1996, 3<sup>rd</sup> Edition, Chapter 7, section 4, pp. 643–663.

"Message Transport and Routing Service (MTRS), Technical Service and Architecture Description", Special Report, SR-INS-002662, Bellcore, Issue 1, May 1993, 267 pgs.

*Cellular Radiotelecommunications Intersystem Operations*, TIA/EIA-41-D: Telecommunications Industry Association, Dec. 1997, Chapter 4, 150 pgs.

Buckingham, Simon David, *Data on SMS*, Issue 1, Revision 1, Sep. 20, 1998, 208 pgs.

Buckingham, Simon David, *Success 4 SMS*, Mobile Lifestreams, Nov. 1, 2000, pp. 1–336.

"TSI Launches International SMS Interoperability Trial with Movilnet", TSI Telecommunication Services Inc., ISSN: 1059-117x, No. 9, vol. 6, Sep. 1, 2001.

Lin, Yi-Bing, *Wireless and Mobile Network Architecture*, Wiley, Oct. 20, 2000, Chapters 1, 2, 5, 12, and 15, 56 pgs.

Longueuil, Donald, "SMS: Why Can't North American Carriers Get Along?" The Yankee Group, Report, vol. 1, No. 16, Nov. 2000, 16 pgs.

"SBC Wireless Selects Logica Messaging Products to Expand Its Wireless Data Services," Business Wire, Sep. 6, 2000, 2 pgs.

Aitken, James, "Signalling Relay Intelligence: Alternatives to the Intelligent Network Architecture in Mobile Networks," Logica Aldiscon, 1999, pp. 3–11.

Redl et al., *GSM and Personal Communications Handbook*, "Short Message Service—Point-to-Point", Artech House 1998, Chapter 6, Section 1, pp. 211–244.

Cohn, Michael, "Short, Sweet Talk; Taking the gabfest of short text messaging global requires carriers to cooperate", Internet World, Mecklermedia Corporation, Jun. 15, 2001, 5 pgs.

"CMG Wireless Data Solutions Announces the Inter-SMSC Router (ISR) For Interconnecting Multiple Wireless Technologies New Product Initiative Enables Interoperability of SMS Over Multiple Wireless Technologies" Canada News-Wire, Jul. 12, 2001, 2 pgs.

"Short Message Peer to Peer Protocol Specification v3.4", SMPP Developers Forum, Oct. 12, 1999, Issue 1.2, 169 pgs.

Taylor, Ed, "The McGraw-Hill Internetworking Handbook" McGraw-Hill, 1998, Second Edition, Ch. 20 pp. 414–417, Ch. 31 pp. 647–673, and Glossary p. 739.

Buckingham, Simon, "SMS Tech: A Guide to Technical Deployment", Mobile Streams Limited, Jul. 1, 2001, pp. 1–199.

"Recommendation GSM 03.40: Technical Realization of the Short Message Service—Point-to-Point", European Telecommunications Standards Institute, Feb. 1992, Version 3.5.0, 100 pgs.

"Telephone Number Portability is a Regulatory Imperative in Many Countries," Phillips Business Information, Jul. 11, 2000.

Elizabeth M. Hannah, "Roaming Complexities: The Clearinghouse's Role Remains a Necessity," America's Network, Mar. 15, 1997, pp. 10.

Freedom Wireless, "The Freedom to Chose! Get Pre-Pay Cellular," sales pamphlet, undated.

Webb, William, "The Complete Wireless Communications Professional: A Guide for Engineers and Managers" 1999, Artech House Publishers, Preface pp. xiii–iv, Ch. 6 pp. 176–177, and Ch. 16 pp. 339–350.

Open Development Corp., "openMedia Cellular Prepaid" sales literature, undated.



**1**  
**INTER PARTES**  
**REEXAMINATION CERTIFICATE**  
**ISSUED UNDER 35 U.S.C. 316**

THE PATENT IS HEREBY AMENDED AS  
INDICATED BELOW.

**2**  
AS A RESULT OF REEXAMINATION, IT HAS BEEN  
DETERMINED THAT:

The patentability of claims **3, 7** and **12** is confirmed.

**5** Claims **1, 2, 4-6, 8-11, 13** and **14** are cancelled.

\* \* \* \* \*