



US00RE40755E

(19) **United States**  
(12) **Reissued Patent**  
**McWethy et al.**

(10) **Patent Number:** **US RE40,755 E**  
(45) **Date of Reissued Patent:** **Jun. 23, 2009**

(54) **NEEDLE-BEARING MEDICAL DEVICE**  
(75) Inventors: **Robert T. McWethy**, Colorado Springs, CO (US); **Michael J. Botich**, Reno, NV (US); **Thor R. Halseth**, Agorua, CA (US); **Bradley M. Wilkinson**, North Haledon, NJ (US)  
(73) Assignee: **MDC Investment Holdings, Inc.**, Wilmington, DE (US)

5,067,490 A 11/1991 Haber  
5,086,780 A 2/1992 Schmitt  
5,219,333 A 6/1993 Sagstetter  
5,353,806 A 10/1994 Heinzelman et al. .... 600/576  
5,423,758 A 6/1995 Shaw  
5,810,775 A 9/1998 Shaw  
6,059,737 A 5/2000 Crawford ..... 600/576  
D436,168 S 1/2001 Wilkinson et al. .... D24/130  
D436,169 S 1/2001 Wilkinson et al. .... D24/130

(21) Appl. No.: **29/285,896**  
(22) Filed: **Apr. 13, 2007**

*Primary Examiner*—Robert M Spear  
*Assistant Examiner*—Eric L Goodman  
(74) *Attorney, Agent, or Firm*—Stoel Rives LLP

**Related U.S. Patent Documents**

Reissue of:  
(64) Patent No.: **Des. 445,183**  
Issued: **Jul. 17, 2001**  
Appl. No.: **29/122,595**  
Filed: **Apr. 28, 2000**

(51) **LOC (9) Cl.** ..... **24-02**  
(52) **U.S. Cl.** ..... **D24/130; D24/147**  
(58) **Field of Classification Search** ..... D24/112,  
D24/130, 113, 146; 604/198, 192, 410, 195,  
604/196, 110; 600/576, 578, 577, 583; 263/363,  
263/365, 364

See application file for complete search history.

(56) **References Cited**

**U.S. PATENT DOCUMENTS**

4,813,426 A 3/1989 Haber  
4,841,985 A 6/1989 Wanamaker ..... 600/576  
4,846,808 A 7/1989 Haber  
4,850,374 A 7/1989 Diaz-Ramos  
4,915,702 A 4/1990 Haber  
4,947,863 A 8/1990 Haber

(57) **CLAIM**

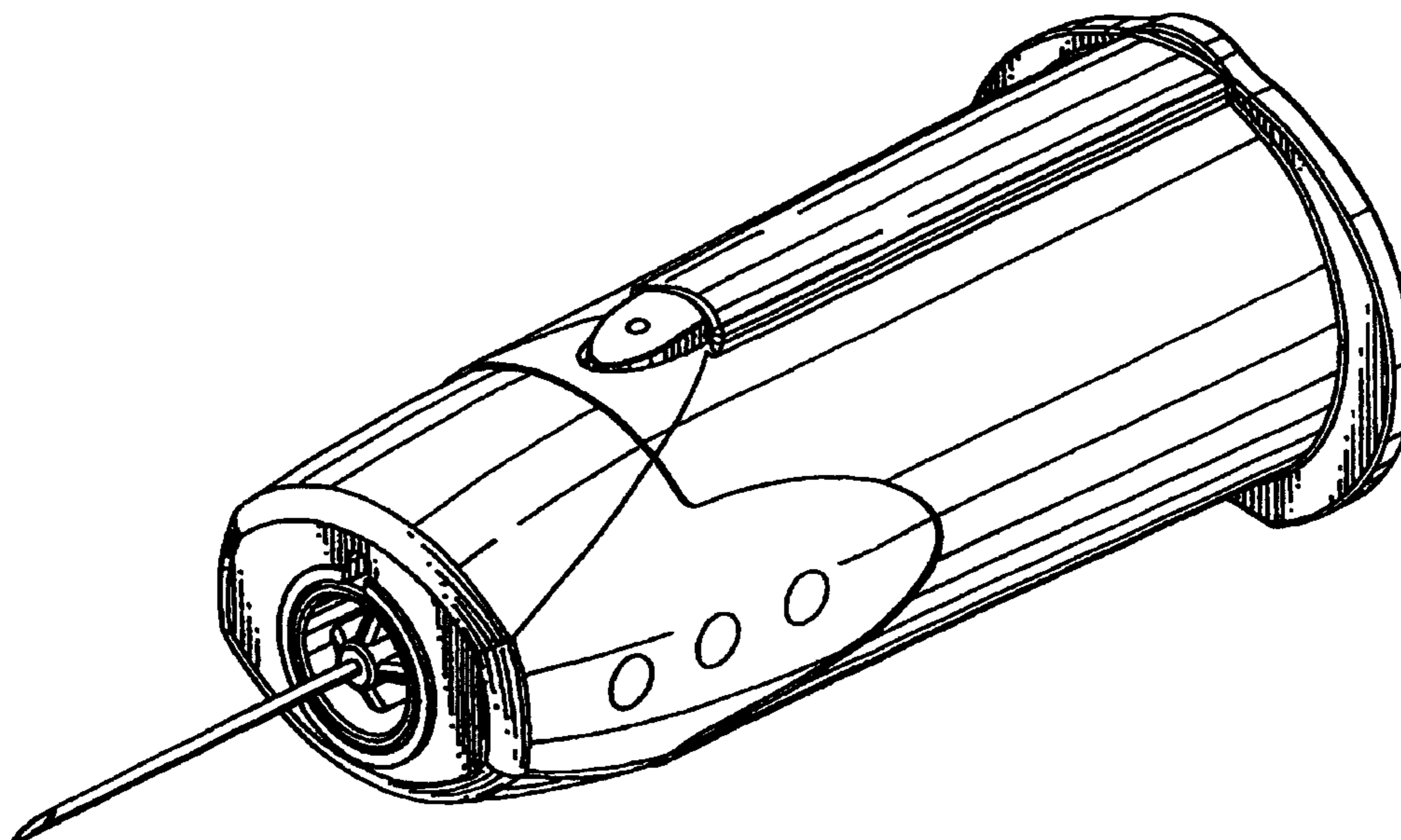
The ornamental design for a needle-bearing medical device, as shown and described.

**DESCRIPTION**

FIG. 1 is a front perspective view of a needle-bearing medical device showing our new design;  
FIG. 2 is a left-side view of the needle-bearing medical device shown in FIG. 1;  
FIG. 3 is a right-side view of the needle-bearing medical device shown in FIG. 1;  
FIG. 4 is a front elevational view of the needle-bearing medical device shown in FIG. 1, with the back view being substantially a mirror of the front view;  
FIG. 5 is a top plan view of the needle-bearing medical device shown in FIG. 1; and,  
FIG. 6 is a bottom plan view of the needle-bearing medical device shown in FIG. 1.

**1 Claim, 2 Drawing Sheets**

**Matter enclosed in heavy brackets [ ] appears in the original patent, but forms no part of this reissue; matter printed in italics indicates the additions made by reissue.**



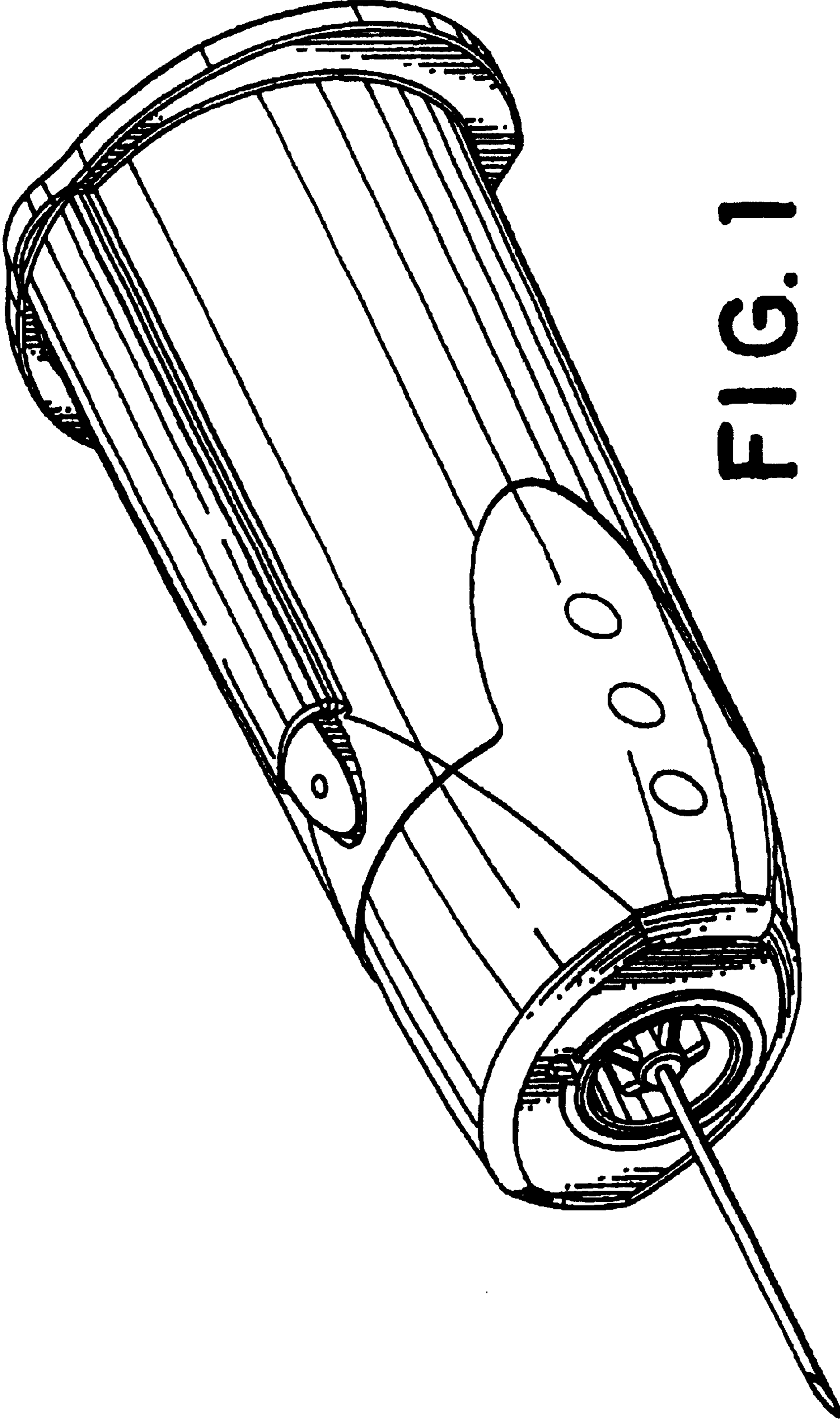


FIG. 1

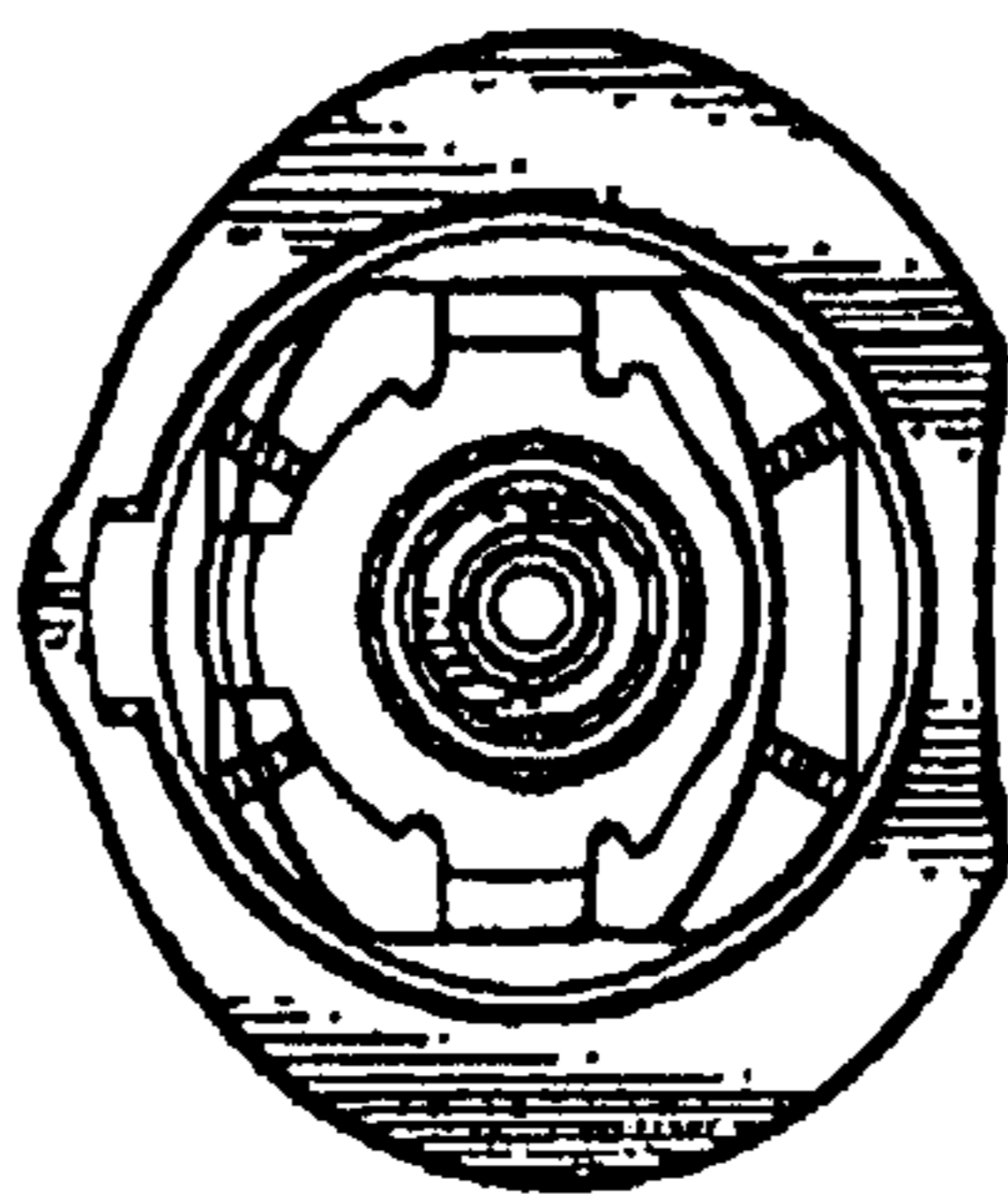


FIG. 3

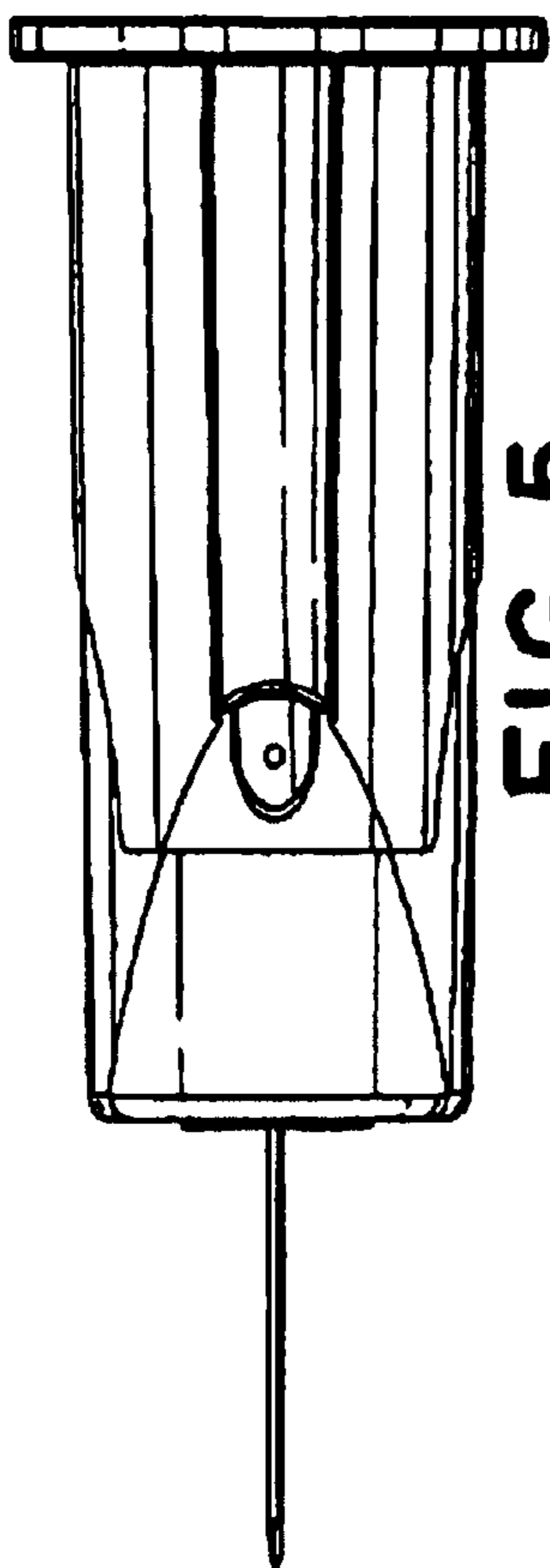


FIG. 5

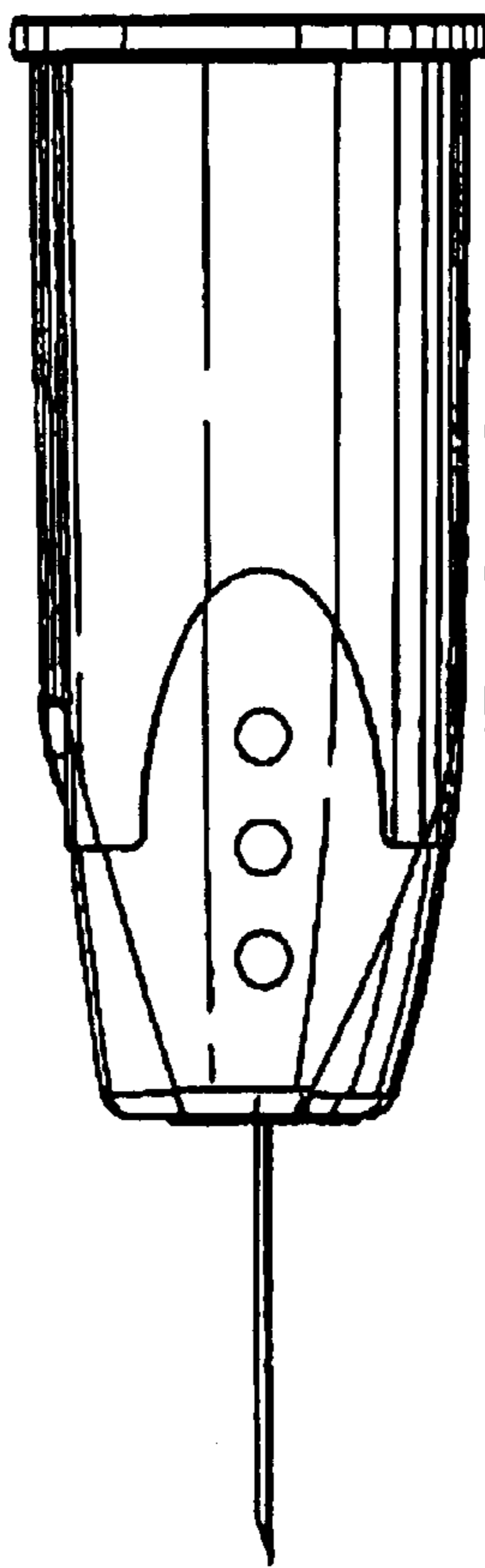


FIG. 4

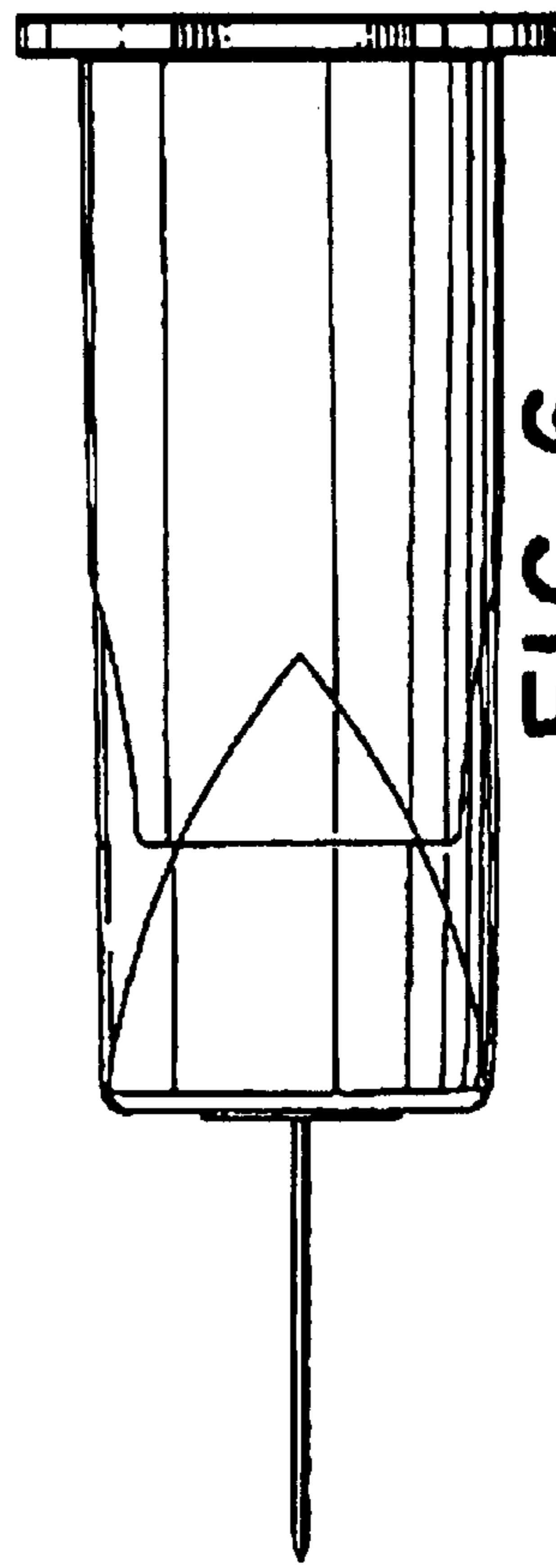


FIG. 6

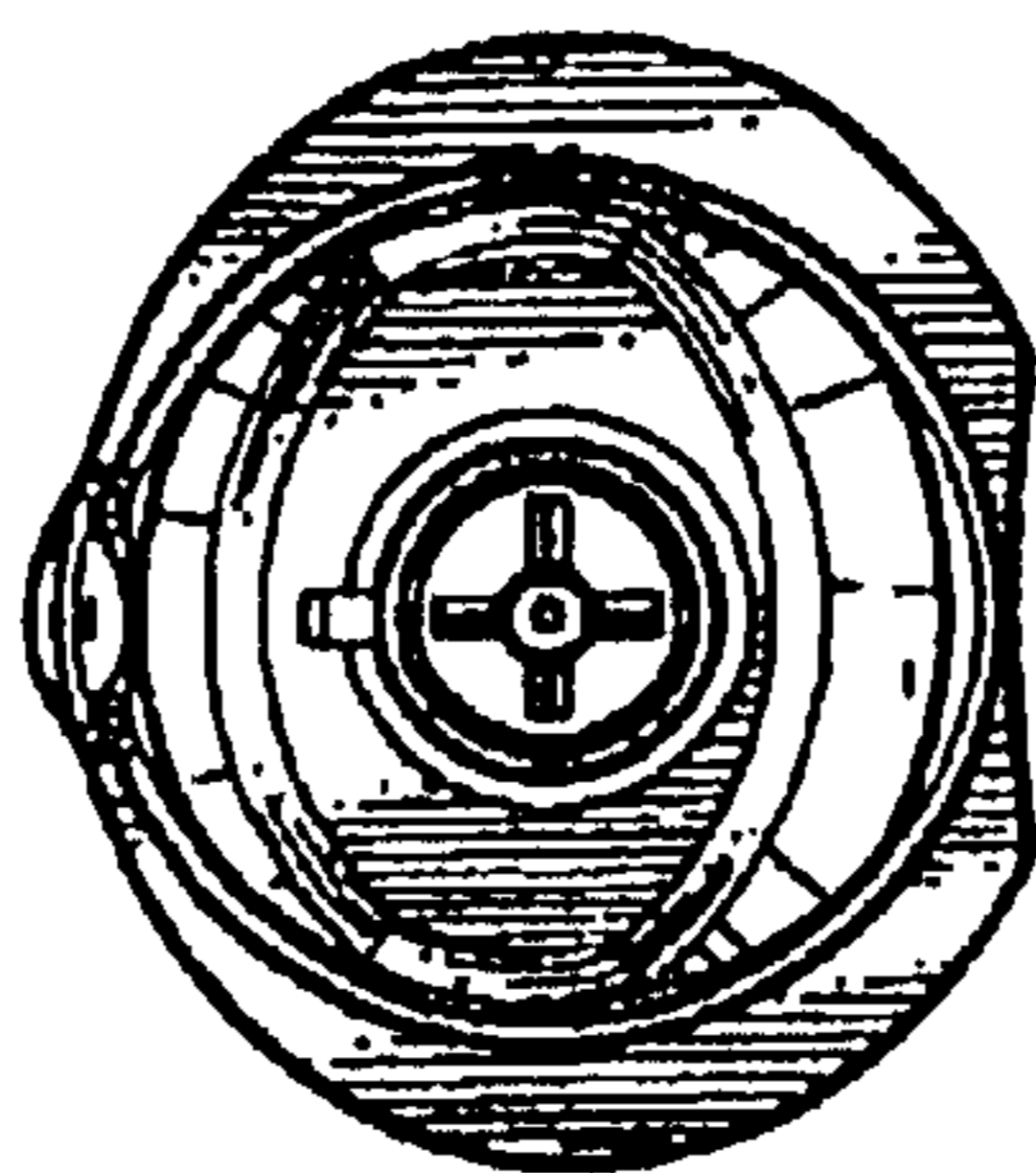


FIG. 2