



US00RE40560E

(19) **United States**
(12) **Reissued Patent**
Capella

(10) **Patent Number:** **US RE40,560 E**
(45) **Date of Reissued Patent:** **Nov. 4, 2008**

- (54) **SWITCH PLATE FRAME**
- (75) Inventor: **Joaquin Aubert Capella**, Barcelona (ES)
- (73) Assignee: **Simon, S.A.**, Barcelona (ES)
- (21) Appl. No.: **29/210,610**
- (22) Filed: **Aug. 3, 2004**

Related U.S. Patent Documents

Reissue of:

- (64) Patent No.: **Des. 461,113**
- Issued: **Aug. 6, 2002**
- Appl. No.: **29/152,464**
- Filed: **Dec. 19, 2001**

U.S. Applications:

- (62) Division of application No. 29/139,867, filed on Apr. 6, 2001, now Pat. No. Des. 461,393.

(30) **Foreign Application Priority Data**

- Oct. 6, 2000 (ES) 149 529
- (51) **LOC (8) Cl.** **11-05**
- (52) **U.S. Cl.** **D8/353; D6/300; D6/301**
- (58) **Field of Classification Search** **D8/350-353; D13/177; D6/300, 301, 303, 309; 220/241; 174/66; 16/402**

See application file for complete search history.

(56) **References Cited**

U.S. PATENT DOCUMENTS

- 3,689,868 A * 9/1972 Snyder 439/501

(Continued)

Primary Examiner—Robert M. Spear

Assistant Examiner—Mark A Goodwin

(74) *Attorney, Agent, or Firm*—Michael J. Striker

(57) **CLAIM**

The ornamental design for a switch plate *frame*, as shown and described.

DESCRIPTION

FIG. 1 is a top front and left side perspective view of [an outer frame for a single] *a switch plate frame showing my new design*;

FIG. 2 is a front view thereof;

FIG. 3 is a top plan view thereof;

FIG. 4 is a right side view thereof [which is a mirror image of the left side] *and left side view being a mirror image thereof*;

FIG. 5 is a rear view thereof;

FIG. 6 is a bottom plan view thereof;

FIG. 7 is a top front and left side perspective view of [an outer frame for a double switch plate] *a second embodiment of a switch plate frame showing my new design*;

FIG. 8 is a front view thereof;

FIG. 9 is a top plan view thereof;

FIG. 10 is a right side view thereof [which is a mirror image of the left side] *the left side view being a mirror image thereof*;

FIG. 11 is a rear view thereof;

FIG. 12 is a bottom plan view thereof;

FIG. 13 is a top front and left side perspective view of [an outer frame for a triple switch plate] *a third embodiment of a switch plate frame showing my new design*;

FIG. 14 is a front view thereof;

FIG. 15 is a top plan view thereof;

FIG. 16 is a right side view thereof [which is a mirror image of the left side] *the left side view being a mirror image thereof*;

FIG. 17 is a rear view thereof;

FIG. 18 is a bottom plan view thereof;

FIG. 19 is a top front and left side perspective view of [an outer frame for a quadruple switch plate] *a fourth embodiment of a switch plate frame showing my new design*;

FIG. 20 is a front view thereof;

FIG. 21 is a top plan view thereof;

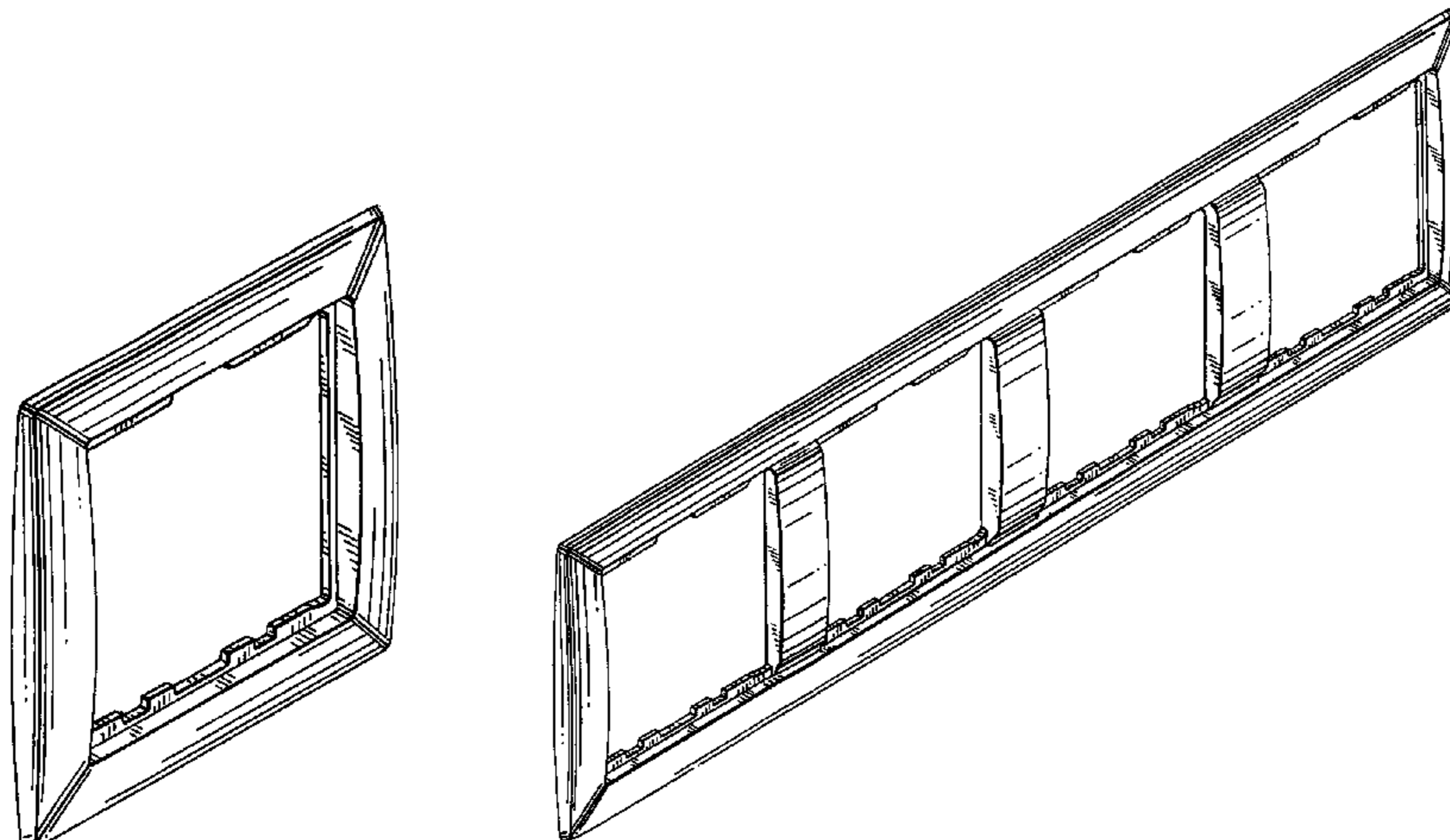
FIG. 22 is a right side view thereof [which is a mirror image of the left side] *the left side view being a mirror image thereof*;

FIG. 23 is a rear view thereof; and,

FIG. 24 is a bottom plan view thereof.

1 Claim, 11 Drawing Sheets

Matter enclosed in heavy brackets [] appears in the original patent, but forms no part of this reissue; matter printed in italics indicates the additions made by reissue.



US RE40,560 E

Page 2

U.S. PATENT DOCUMENTS		D379,453 S *	5/1997	Fabrizi	D13/177		
		D430,478 S *	9/2000	De brey et al.	D8/353		
5,073,681 A *	12/1991	Hubben et al.	174/66	6,281,440 B1 *	8/2001	Baldwin et al.	174/66
D340,718 S *	10/1993	Leger et al.	D14/224	* cited by examiner			

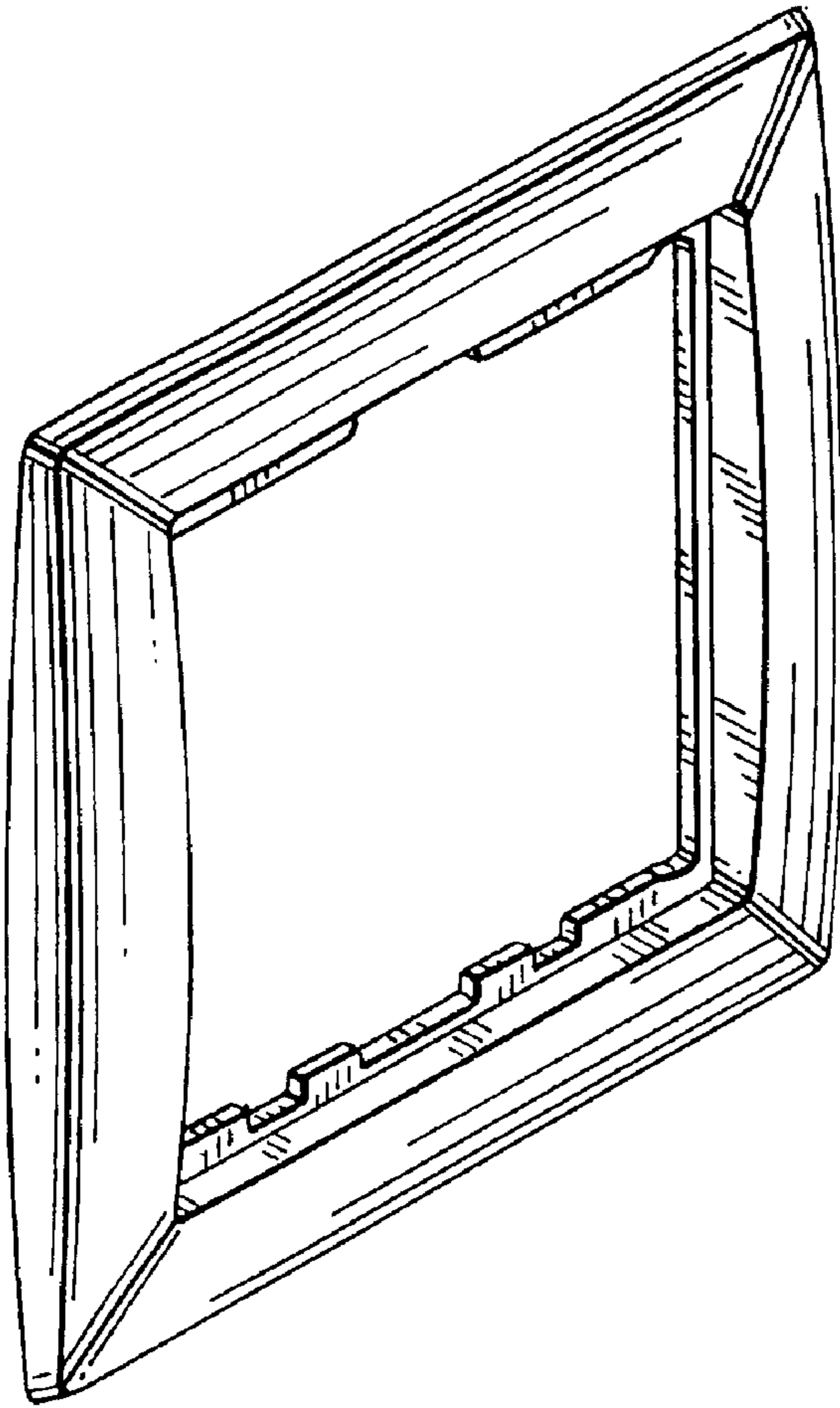


FIG. 1

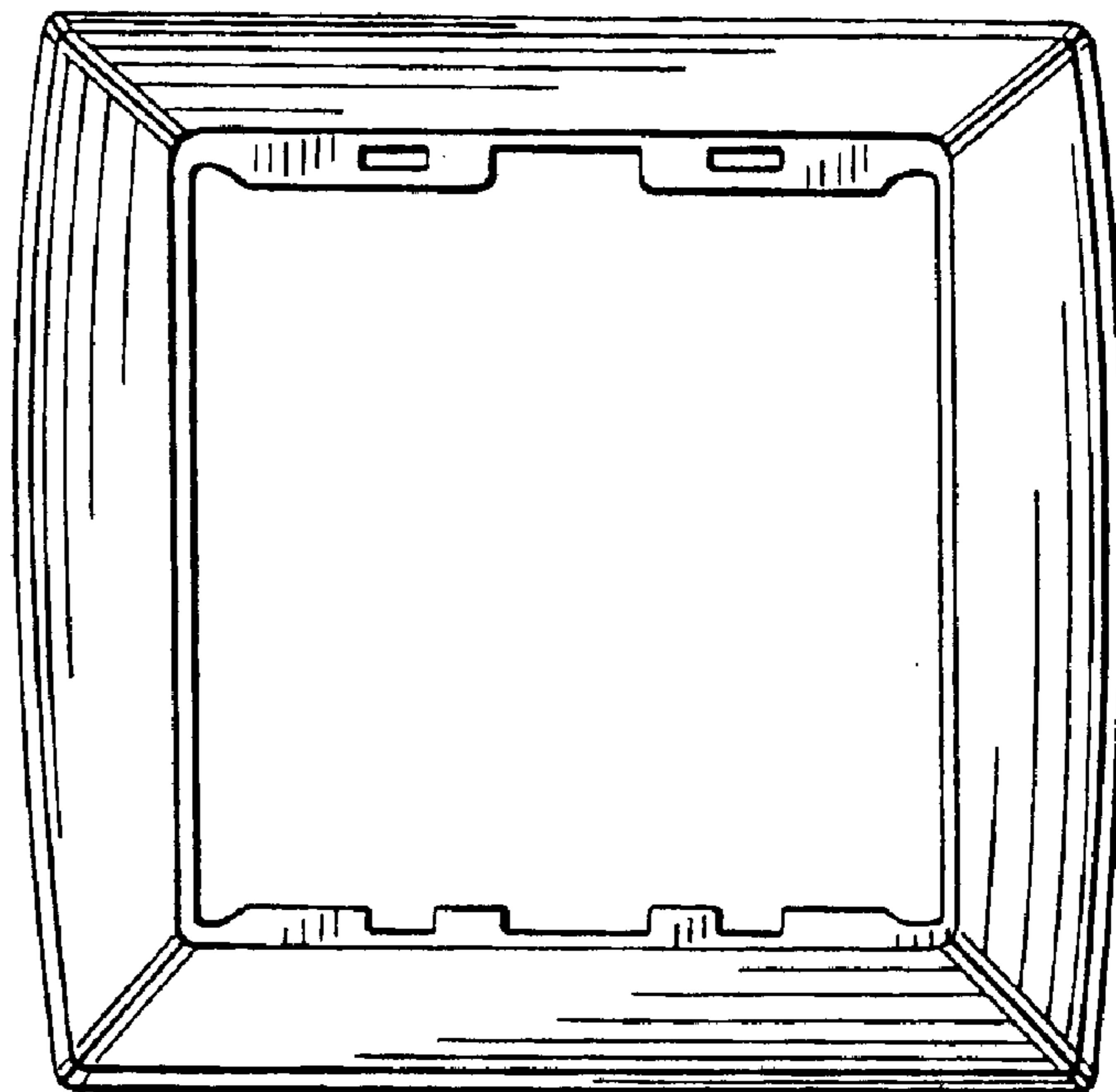


FIG. 2

FIG. 3

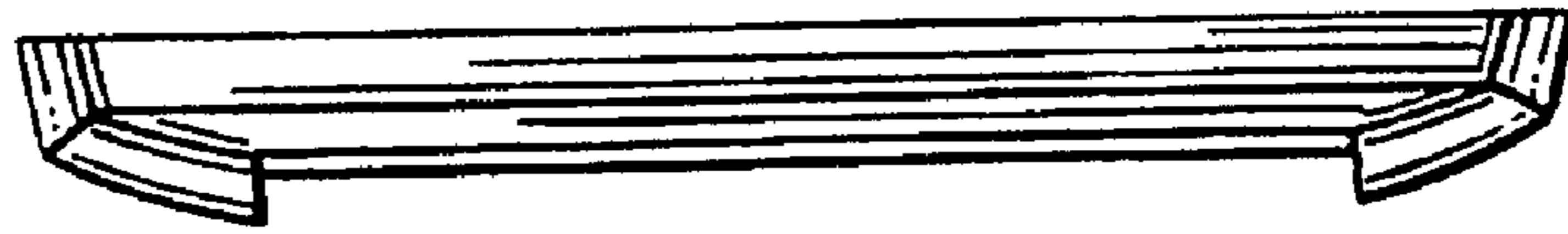


FIG. 4

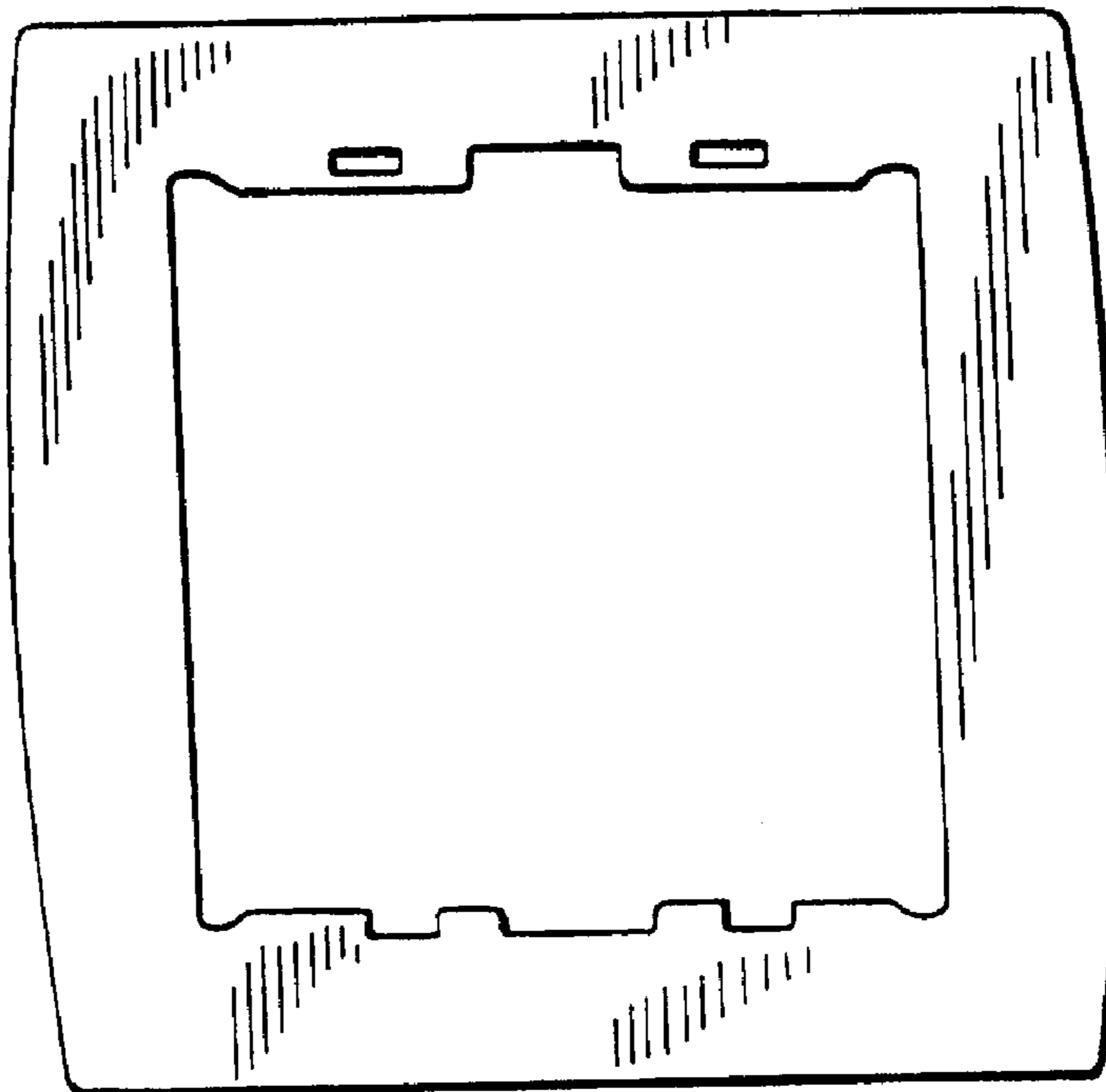


FIG. 5

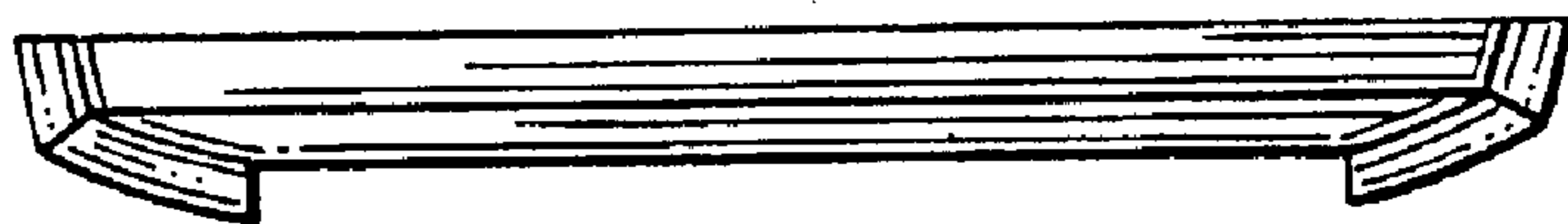


FIG. 6

FIG. 7

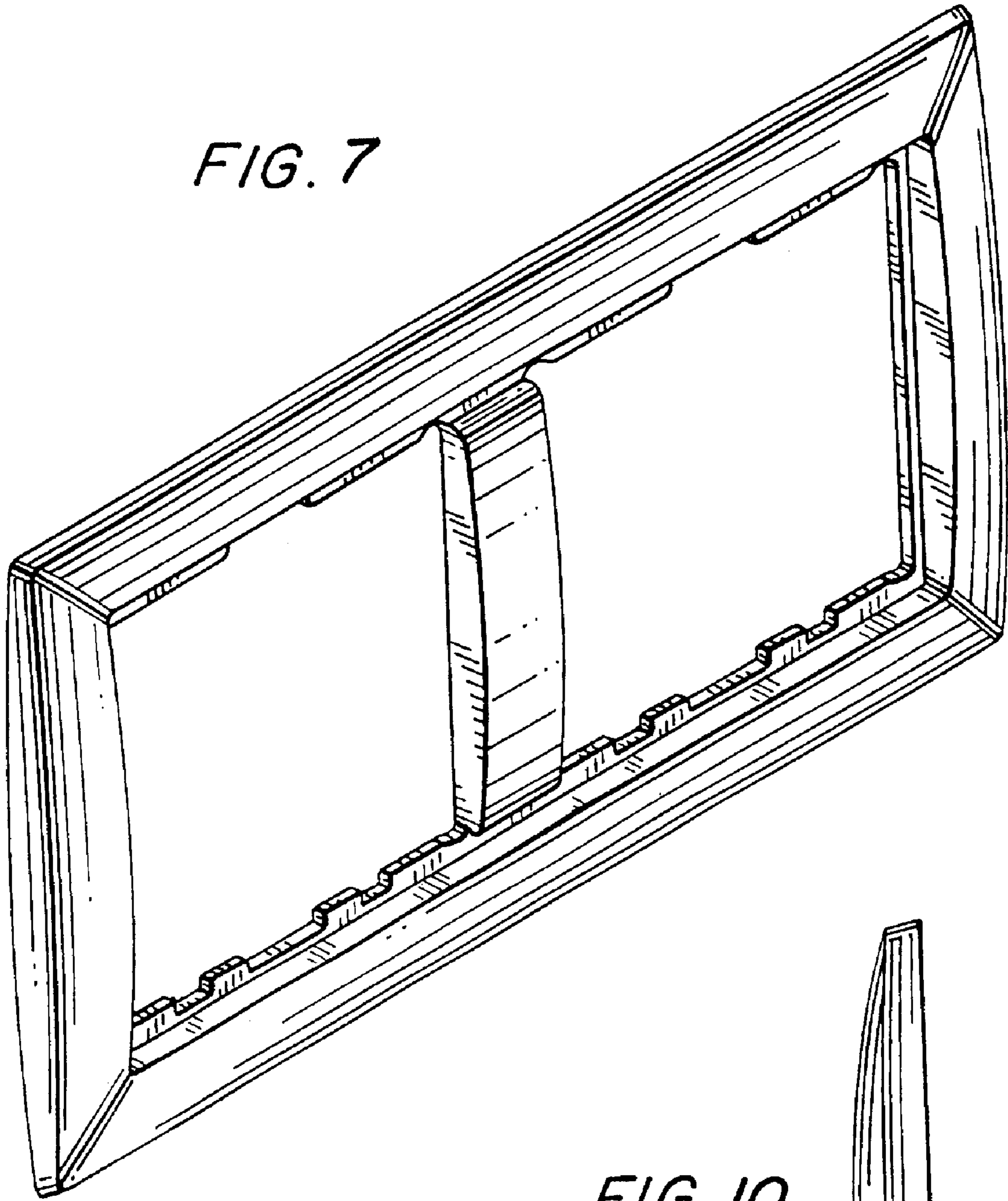


FIG. 10

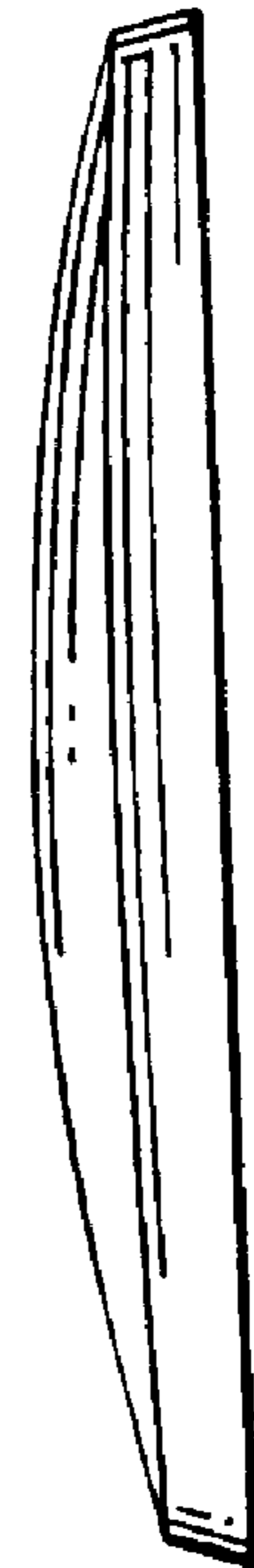


FIG. 8

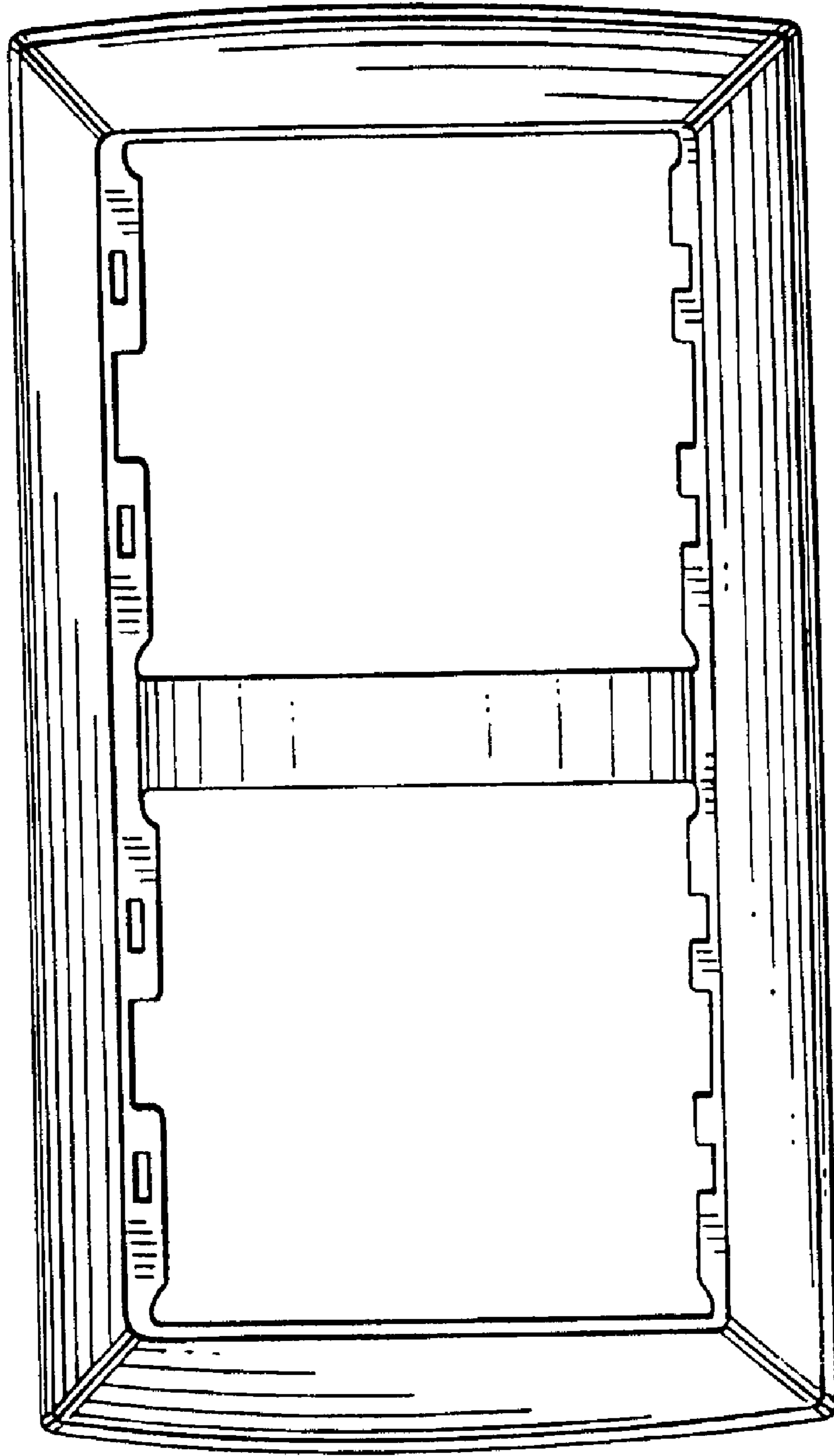


FIG. 9

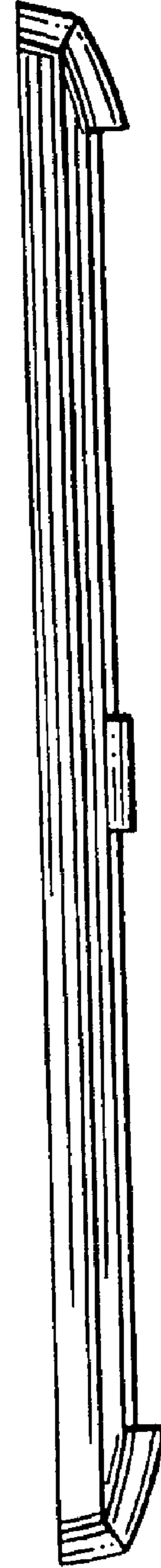


FIG. 11

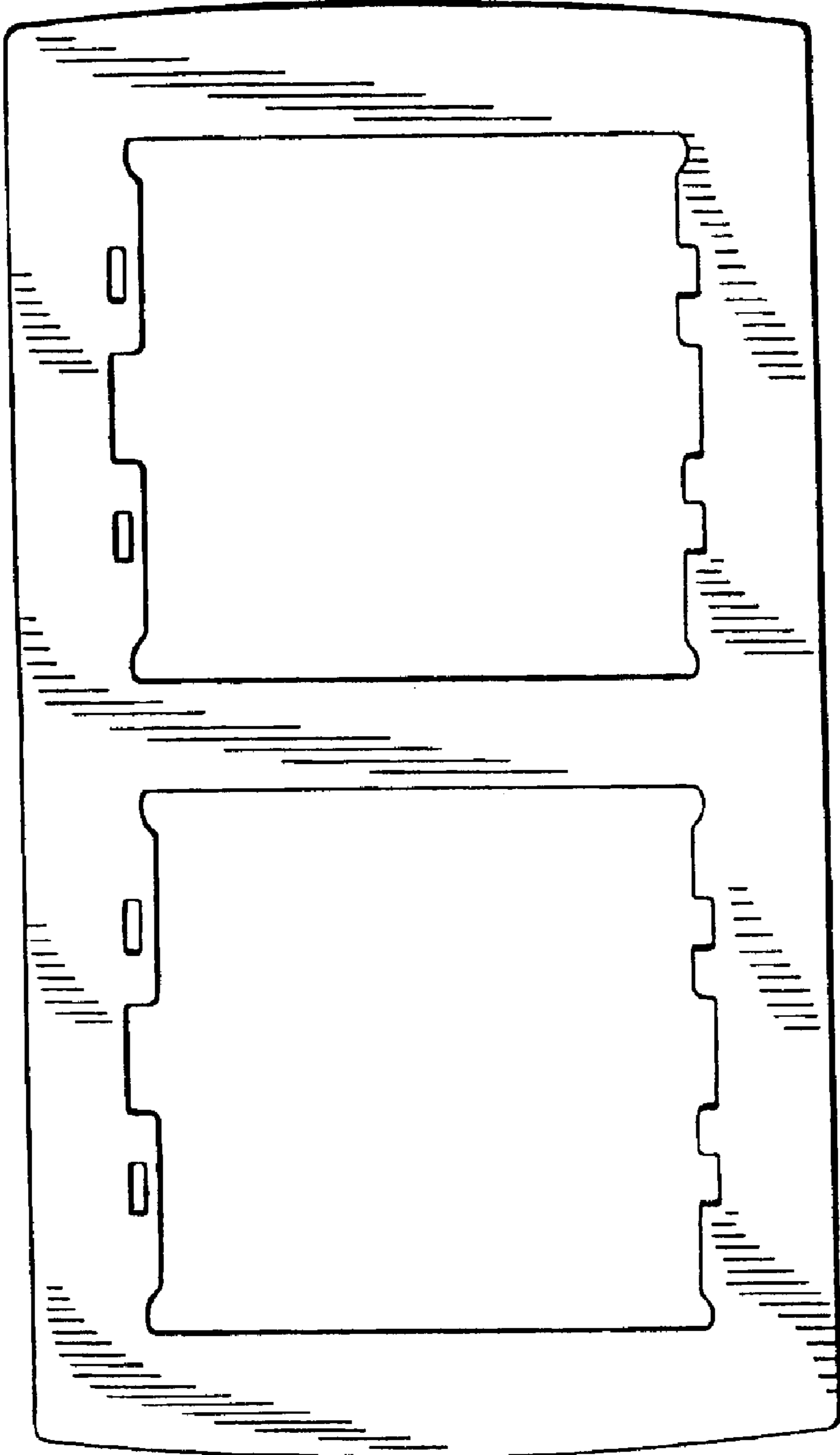
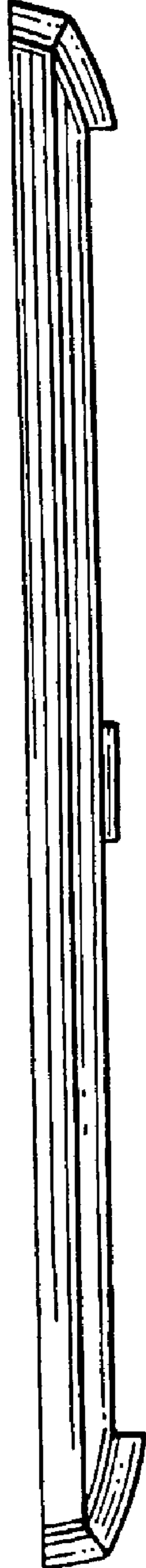


FIG. 12



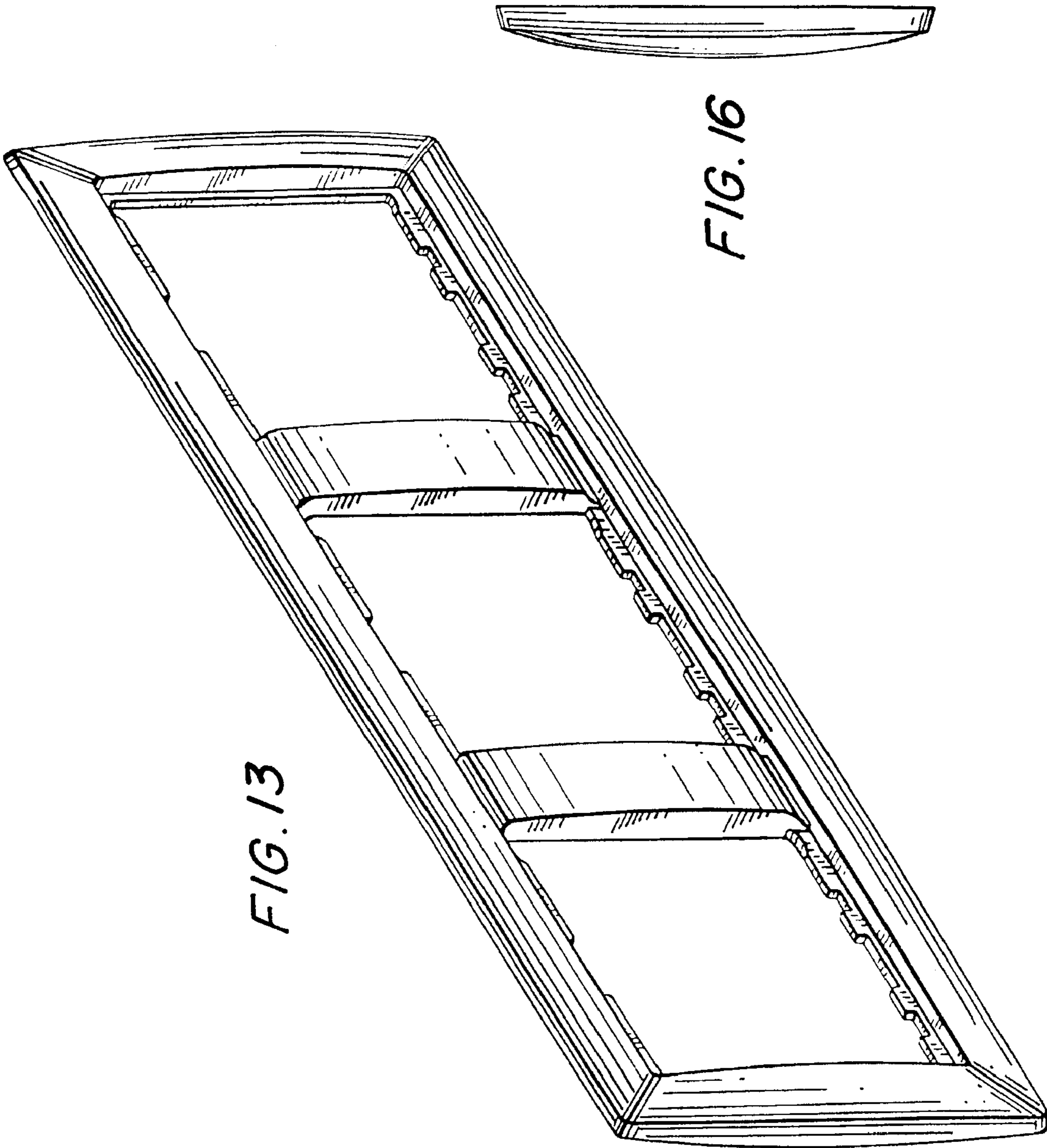


FIG. 13

FIG. 16

FIG. 14

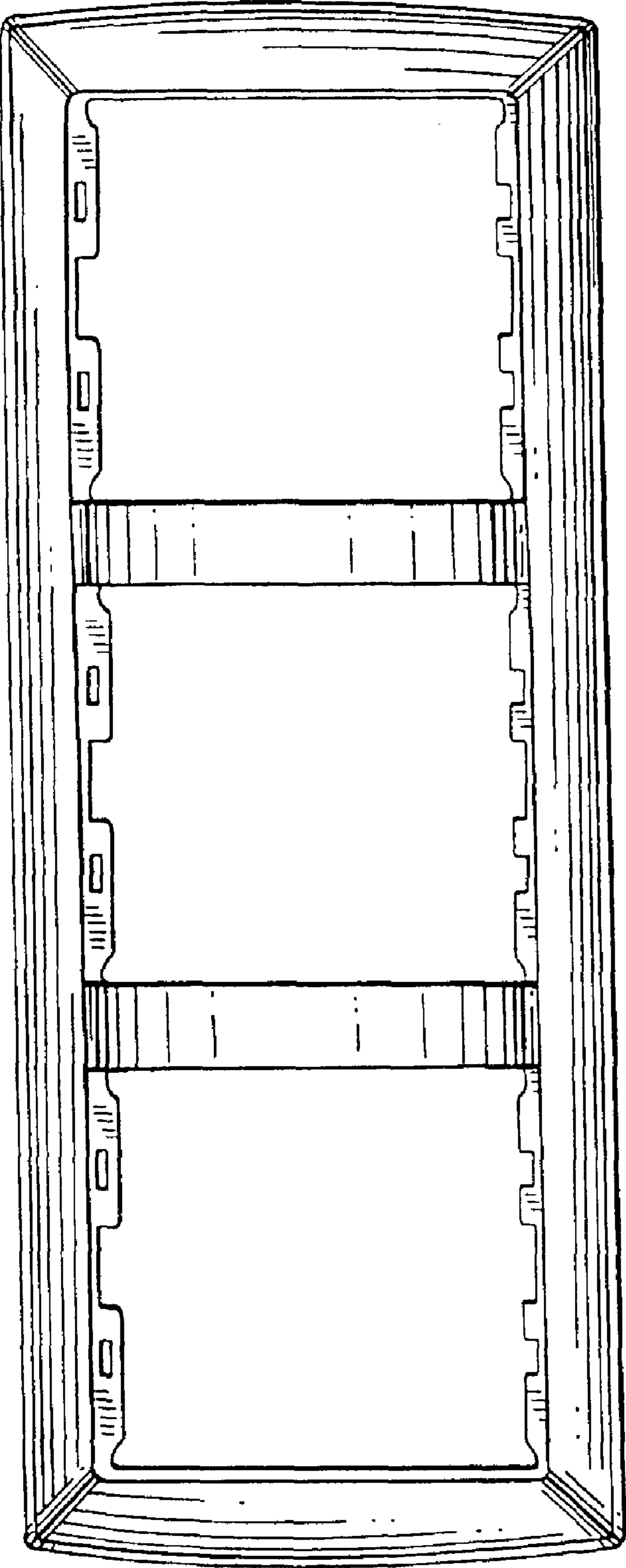


FIG. 15



FIG. 17

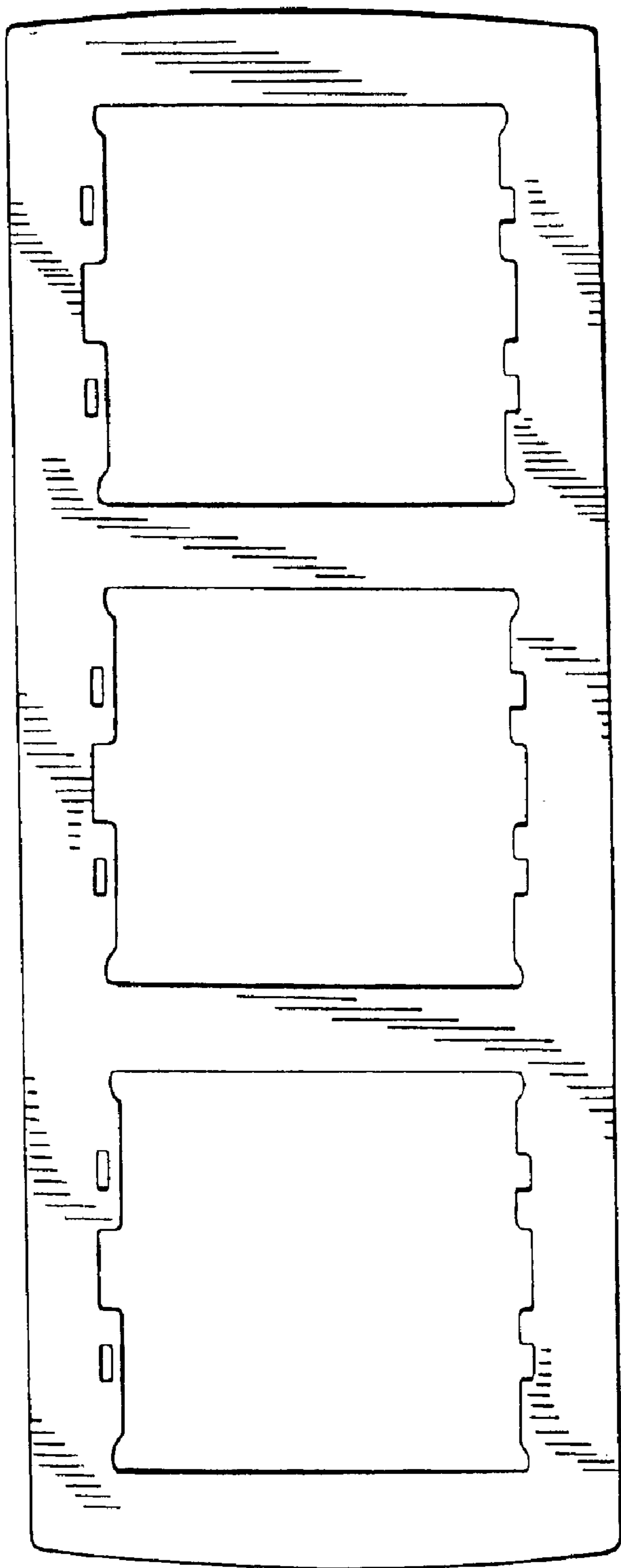
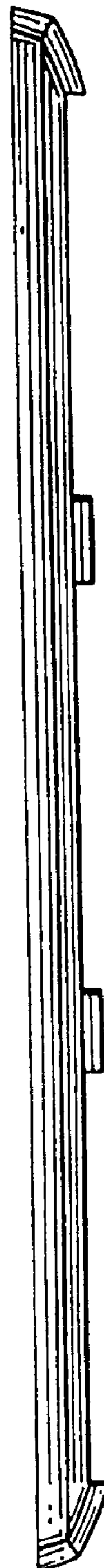


FIG. 18



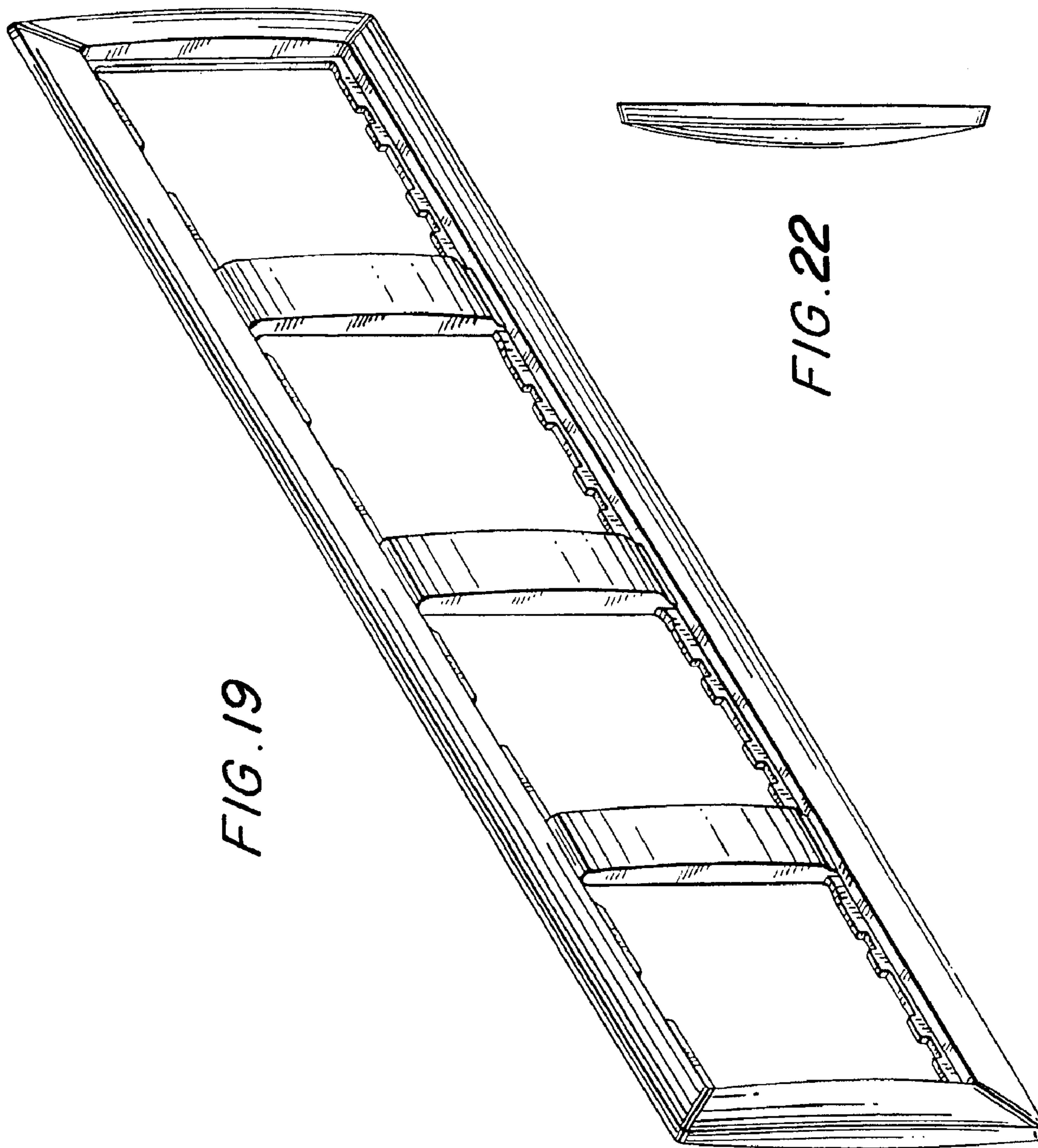


FIG. 19

FIG. 22

FIG. 20

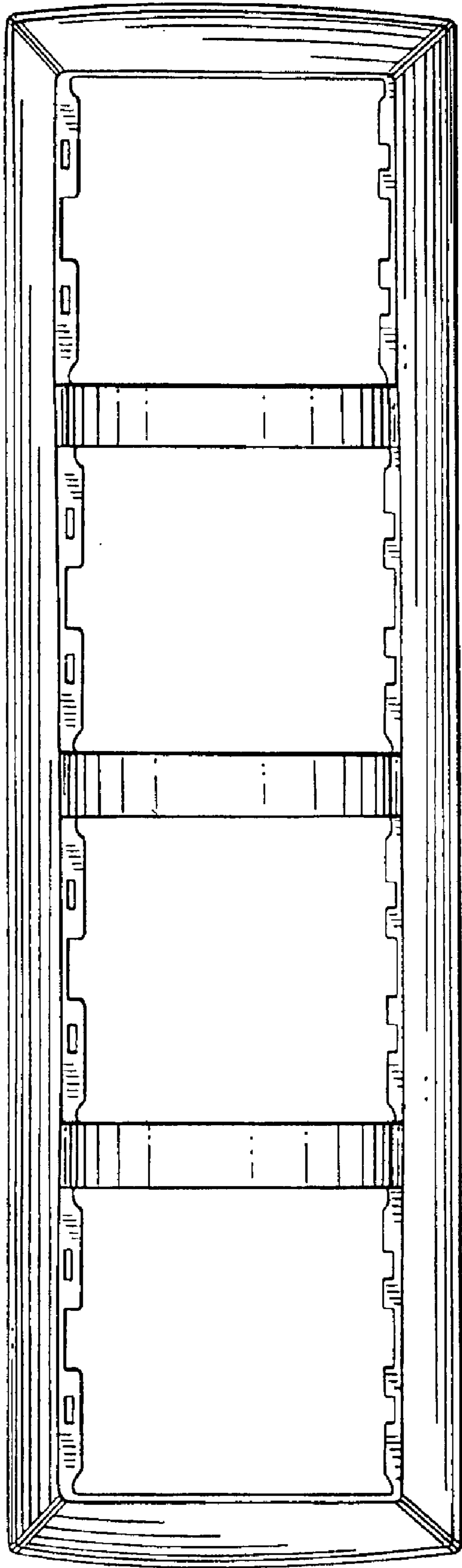


FIG. 21



FIG. 23

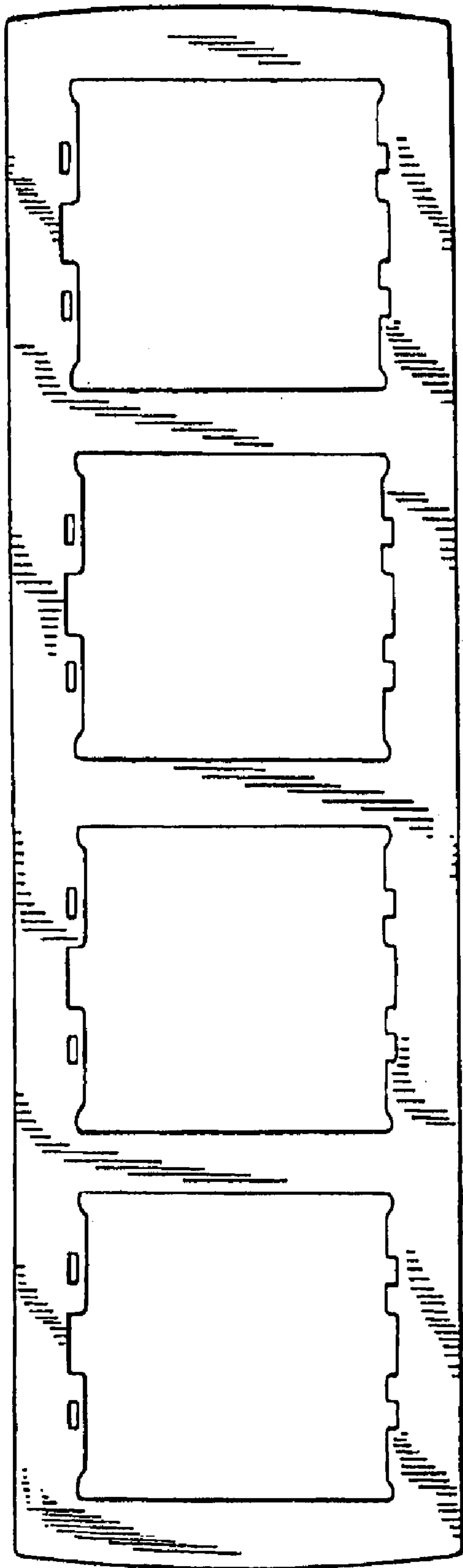


FIG. 24

