

US00RE40522E

(19) **United States**
(12) **Reissued Patent**
Capella

(10) **Patent Number:** **US RE40,522 E**
(45) **Date of Reissued Patent:** **Sep. 30, 2008**

(54) **SWITCH PLATE FRAME**

(75) Inventor: **Joaquin Aubert Capella**, Barcelona (ES)

(73) Assignee: **Simon, S.A.**, Barcelona (ES)

(21) Appl. No.: **29/210,608**

(22) Filed: **Aug. 3, 2004**

Related U.S. Patent Documents

Reissue of:

(64) Patent No.: **Des. 461,393**
Issued: **Aug. 13, 2002**
Appl. No.: **29/139,867**
Filed: **Apr. 6, 2001**

(30) **Foreign Application Priority Data**

Oct. 6, 2000 (ES) 149 529

(51) **LOC (8) Cl.** **11-05**

(52) **U.S. Cl.** **D8/353; D6/300; D6/301**

(58) **Field of Classification Search** **D8/350-353;**
D13/177; D6/300, 301, 303, 309; 220/241;
174/66; 16/402

See application file for complete search history.

(56) **References Cited**

U.S. PATENT DOCUMENTS

3,689,868 A * 9/1972 Snyder 439/501
5,073,681 A * 12/1991 Hubben et al. 174/66
D340,718 S * 10/1993 Leger et al. D14/224
D379,453 S * 5/1997 Fabrizi D13/177
D430,478 S * 9/2000 De brey et al. D8/353
6,281,440 B1 * 8/2001 Baldwin et al. 174/66

* cited by examiner

Primary Examiner—Robert M. Spear

Assistant Examiner—Mark A Goodwin

(74) *Attorney, Agent, or Firm*—Michael J. Striker

(57) **CLAIM**

The ornamental design for a switch plate, as shown and described.

DESCRIPTION

FIG. 1 is a top front and left side perspective view of [an outer and inner frame assembly for a single] *a switch plate frame showing my new [design] design;*

FIG. 2 is a front view thereof;

FIG. 3 is a top plan view thereof;

FIG. 4 is a right side view thereof[,]the left side view being a mirror image thereof;

FIG. 5 is a rear view thereof;

FIG. 6 is a bottom plan view thereof;

FIG. 7 is a top front and left side perspective view of [an outer and inner assembly for a double] *a second embodiment of a switch plate frame showing my new design;*

FIG. 8 is a front view thereof;

FIG. 9 is a top plan view thereof;

FIG. 10 is a right side view thereof [which is] *the left side view being a mirror image [of the left side] thereof;*

FIG. 11 is a rear view thereof;

FIG. 12 is a bottom plan view thereof;

FIG. 13 is a top front and left side perspective view of [an outer and inner assembly for a triple] *a third embodiment of a switch plate frame showing my new design;*

FIG. 14 is a front view thereof;

FIG. 15 is a top plan view thereof;

FIG. 16 is a right side view thereof [which is] *the left side view being a mirror image [of the left side] thereof;*

FIG. 17 is a rear view thereof;

FIG. 18 is a bottom plan view thereof;

FIG. 19 is a top front and left side perspective view of [an outer and inner assembly for a quadruple] *a fourth embodiment of a switch plate frame showing my new design;*

FIG. 20 is a front view thereof;

FIG. 21 is a top plan view thereof;

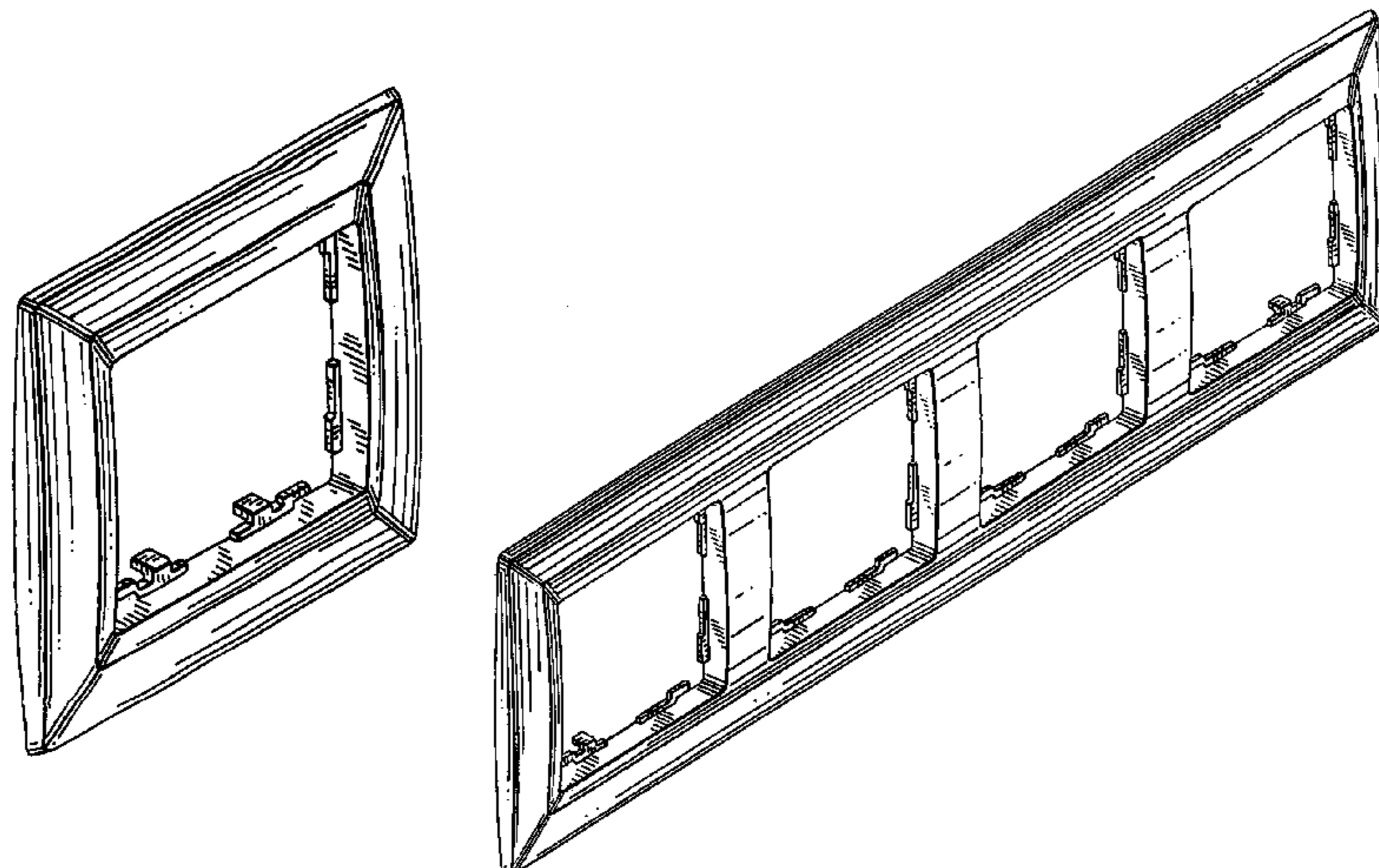
FIG. 22 is a right side view thereof [which is] *the left side view being a mirror image [of the left side] thereof;*

FIG. 23 is a rear view thereof; and,

FIG. 24 is a bottom plan view thereof.

1 Claim, 11 Drawing Sheets

Matter enclosed in heavy brackets [] appears in the original patent, but forms no part of this reissue; matter printed in italics indicates the additions made by reissue.



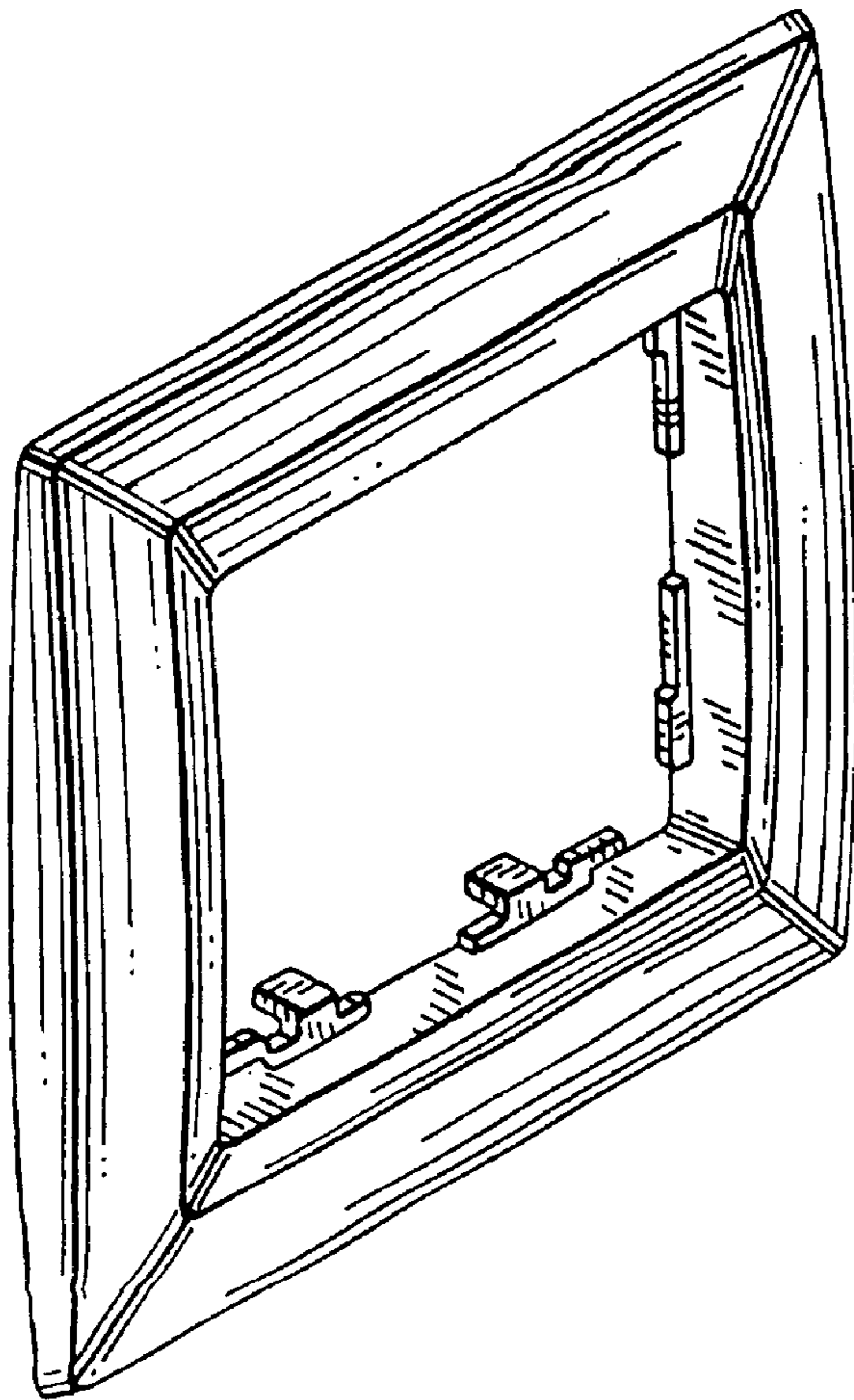


FIG. 1

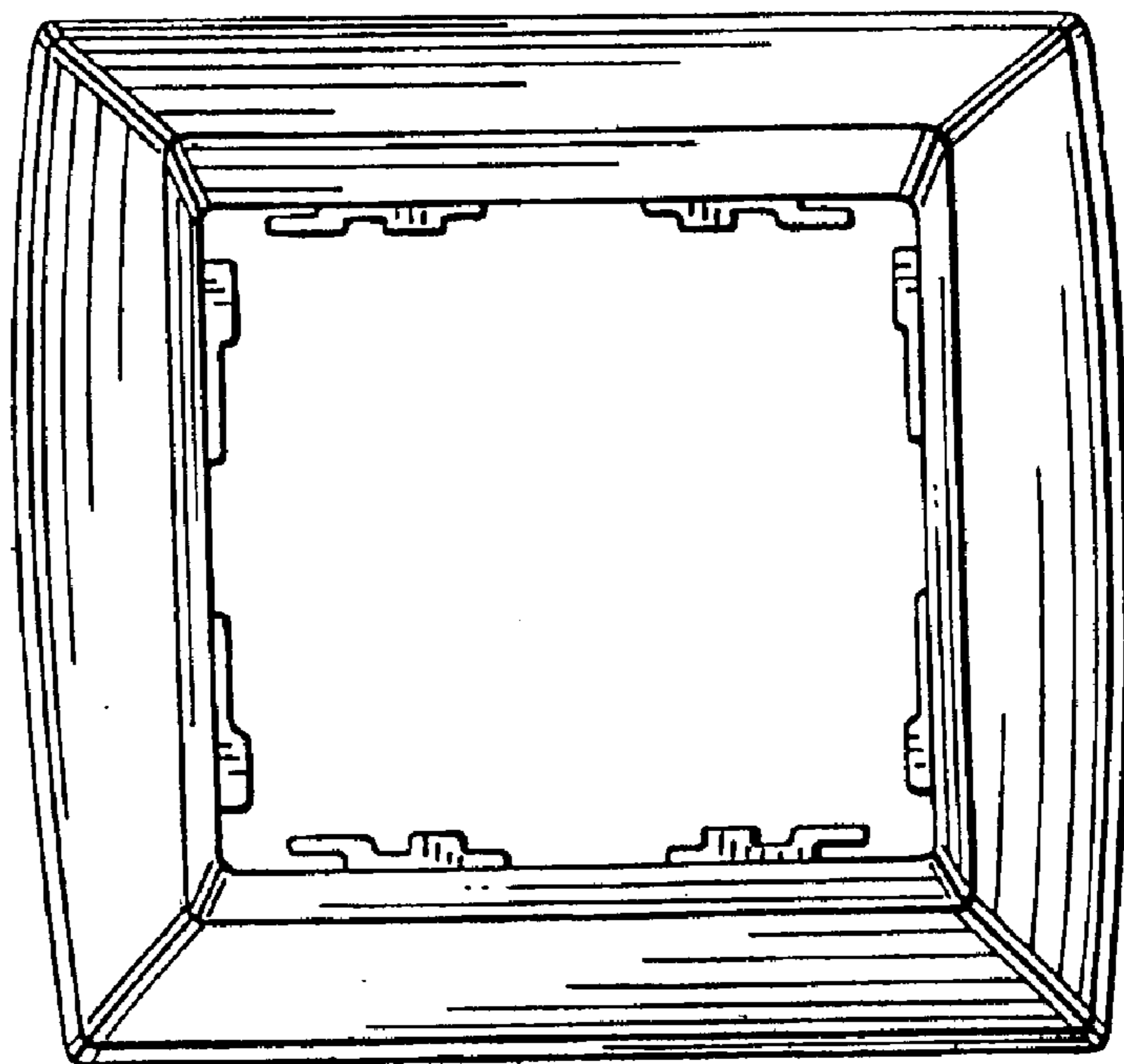


FIG. 2

FIG. 3

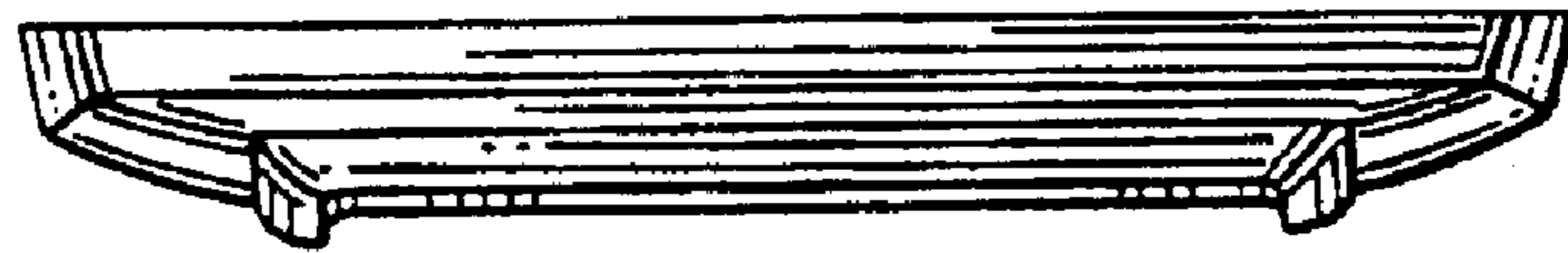


FIG. 4

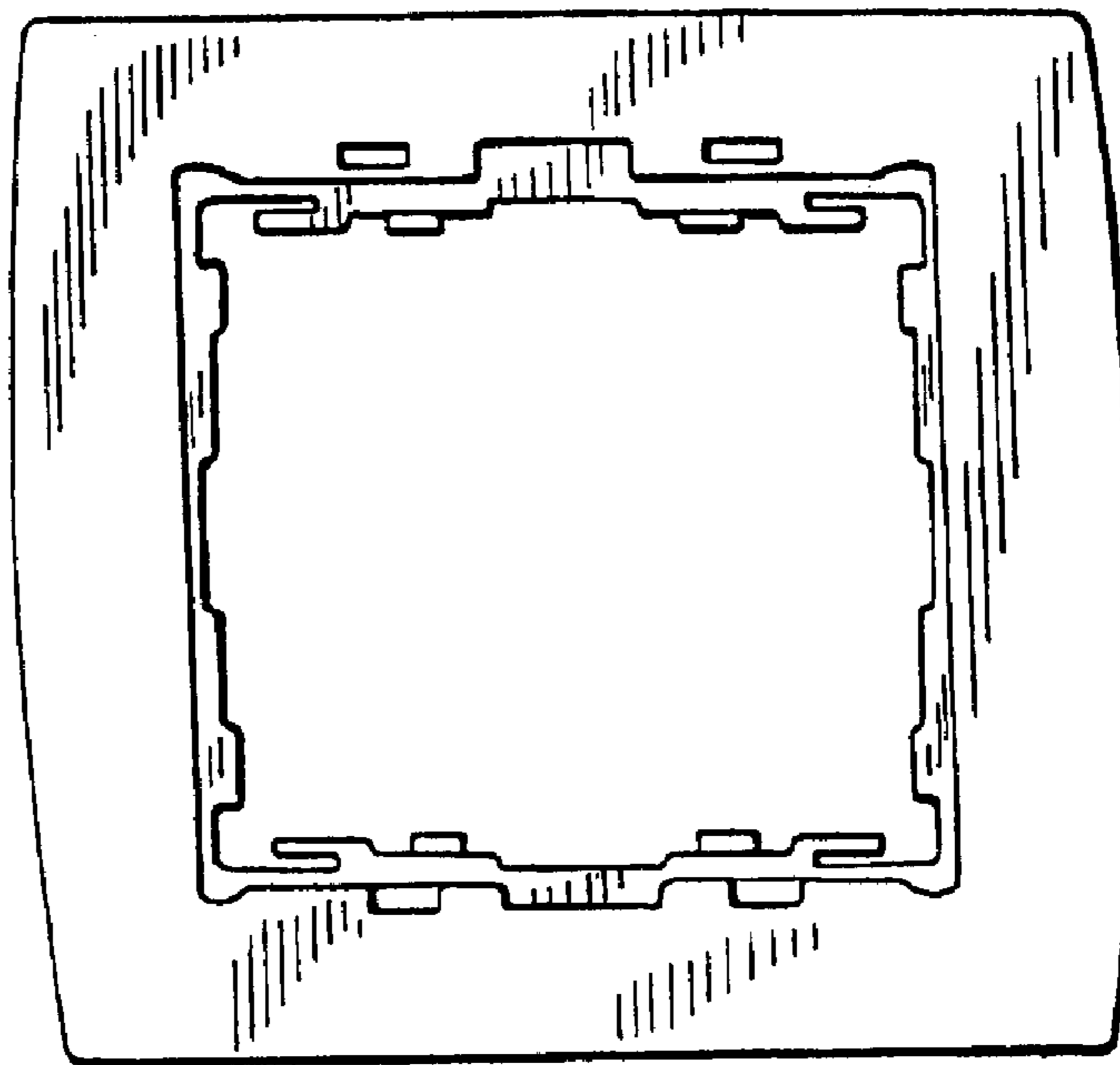
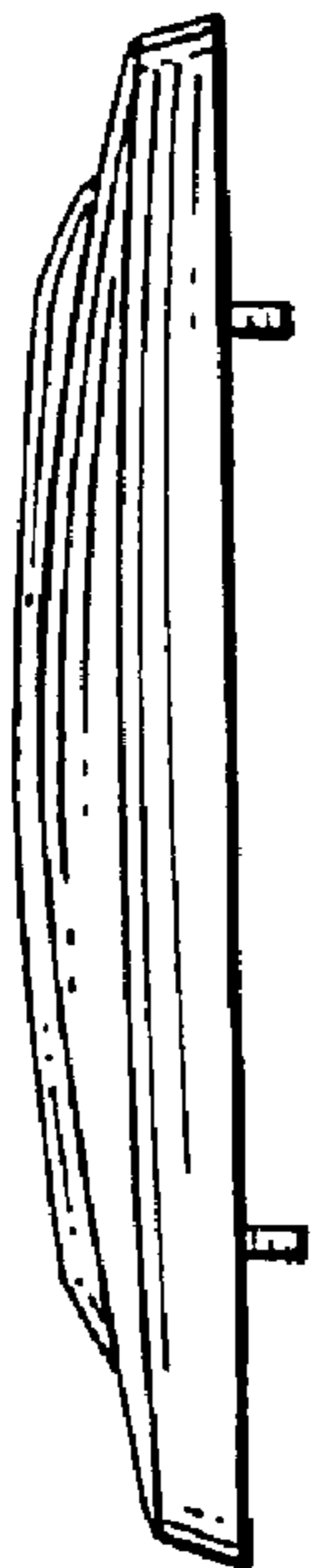


FIG. 5

FIG. 6

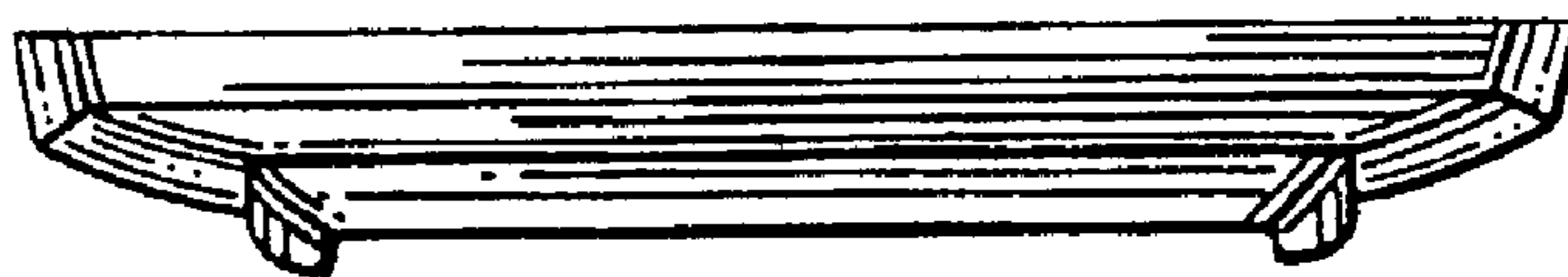


FIG. 7

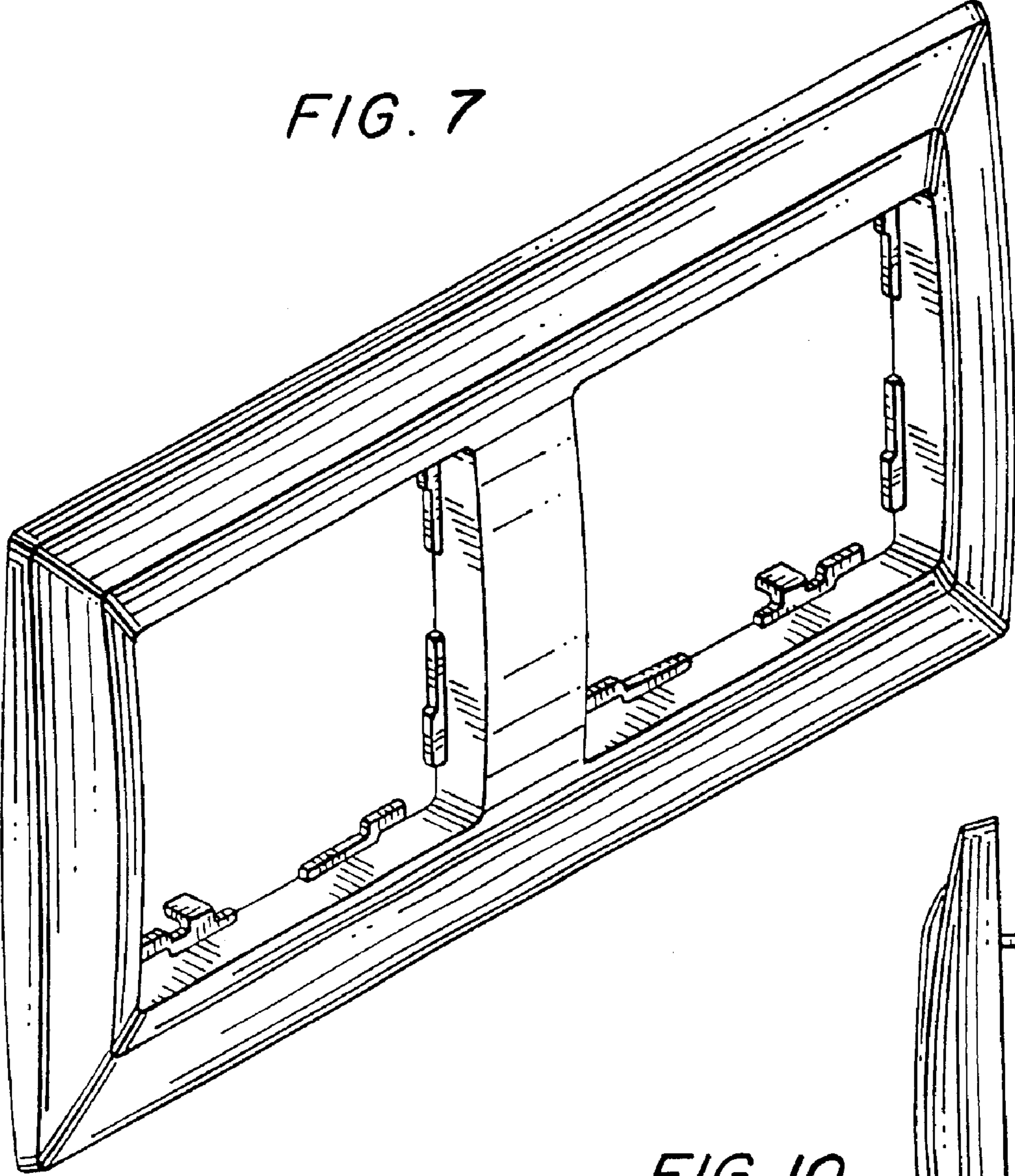


FIG. 10

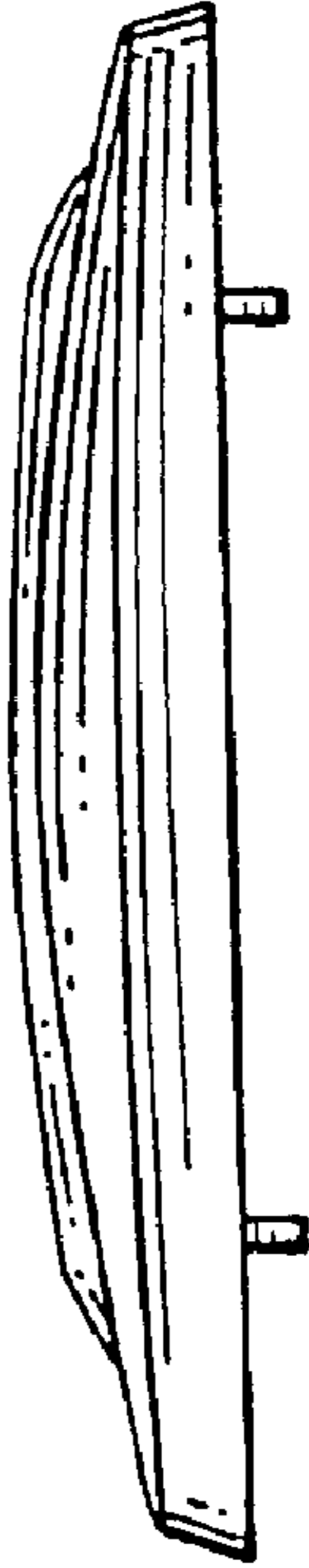


FIG. 8

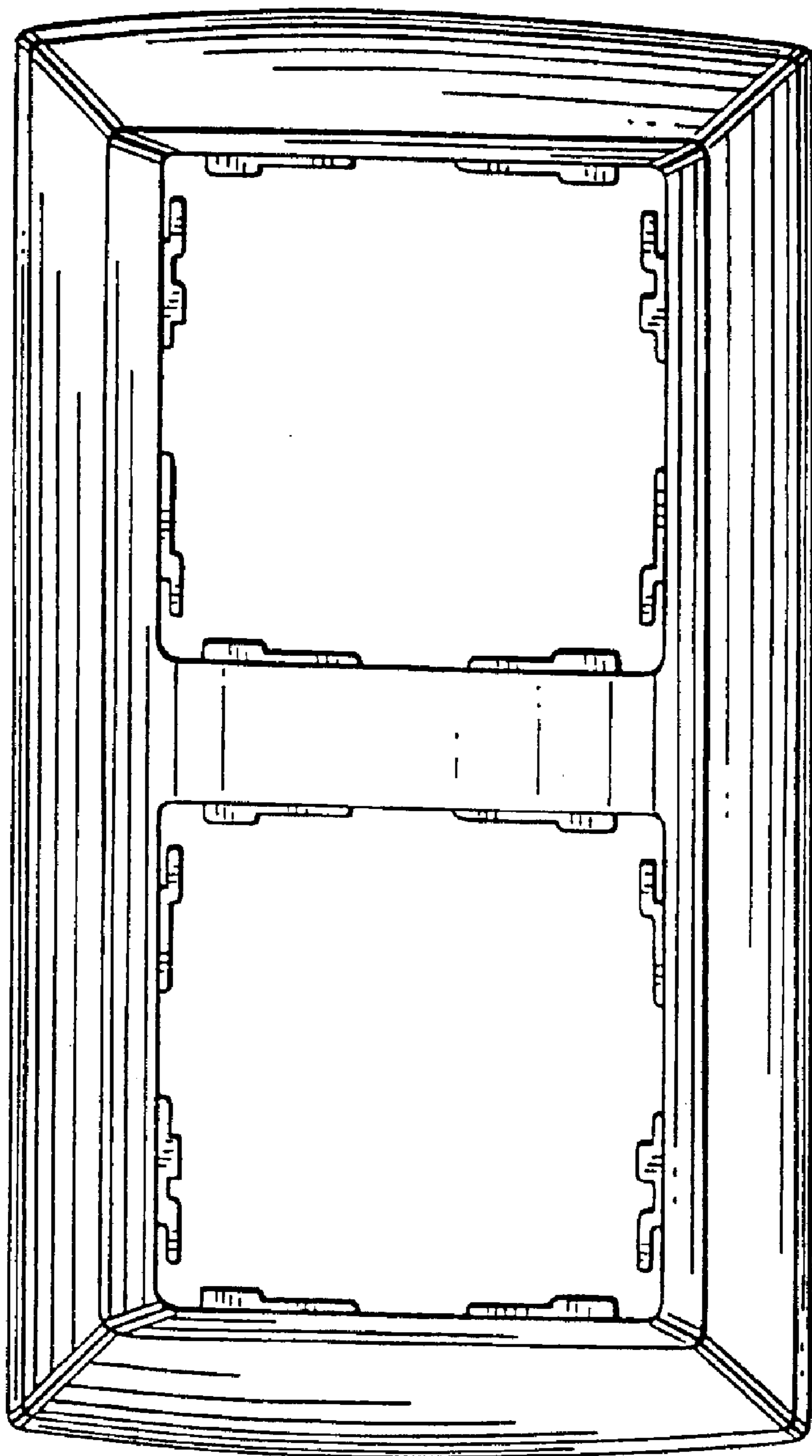


FIG. 9



FIG. 11

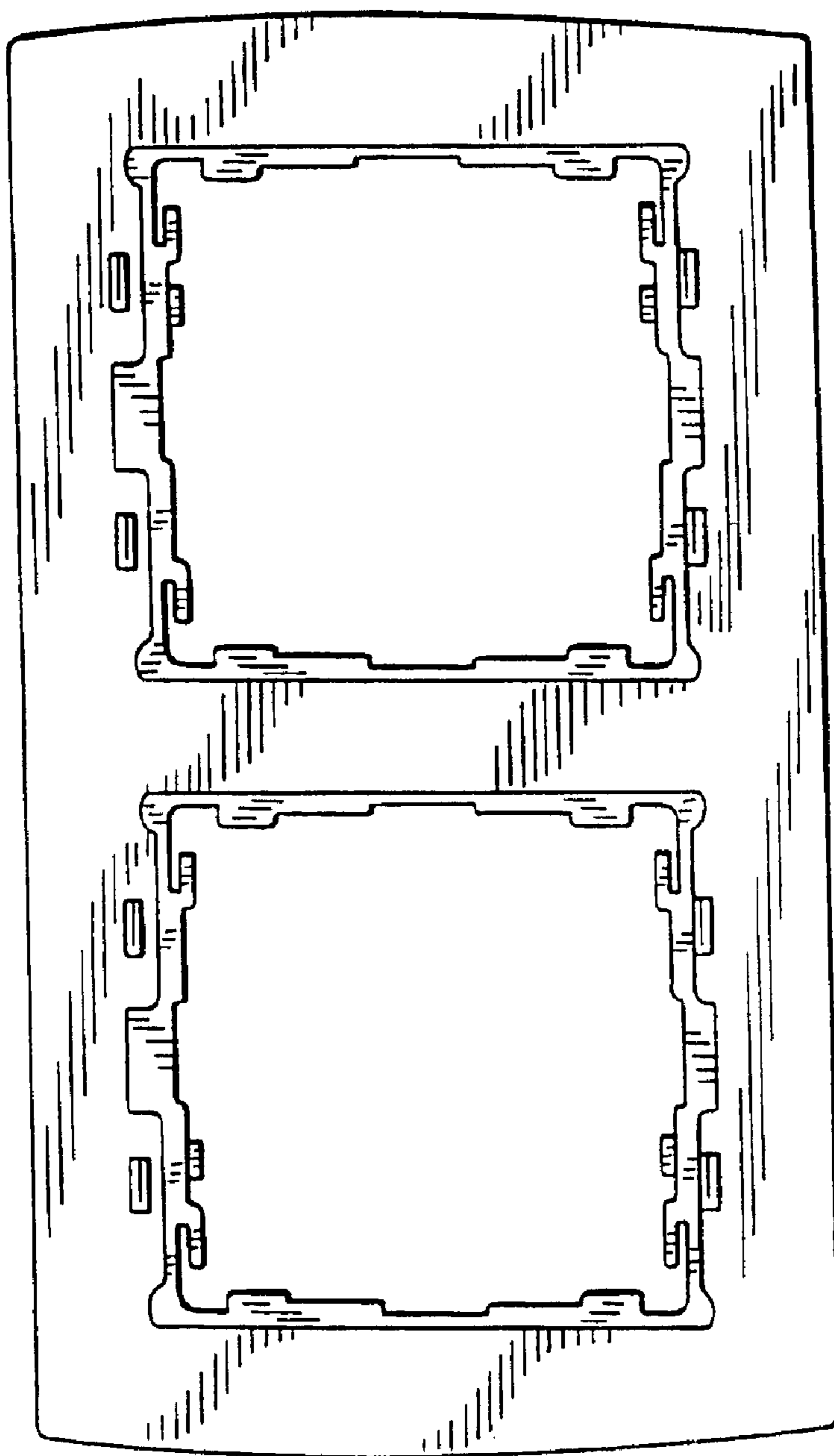


FIG. 12



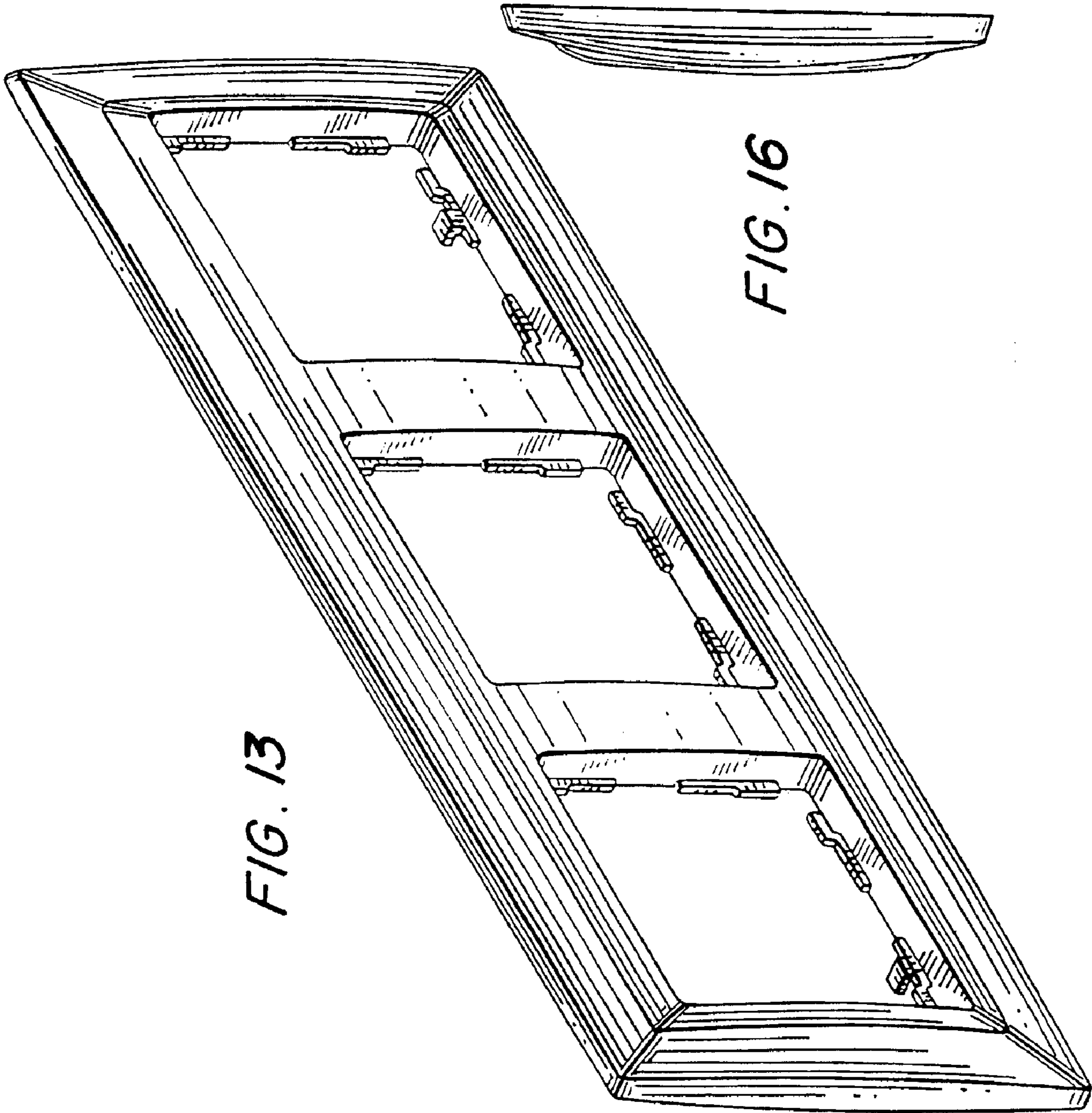


FIG. 13

FIG. 16

FIG. 14

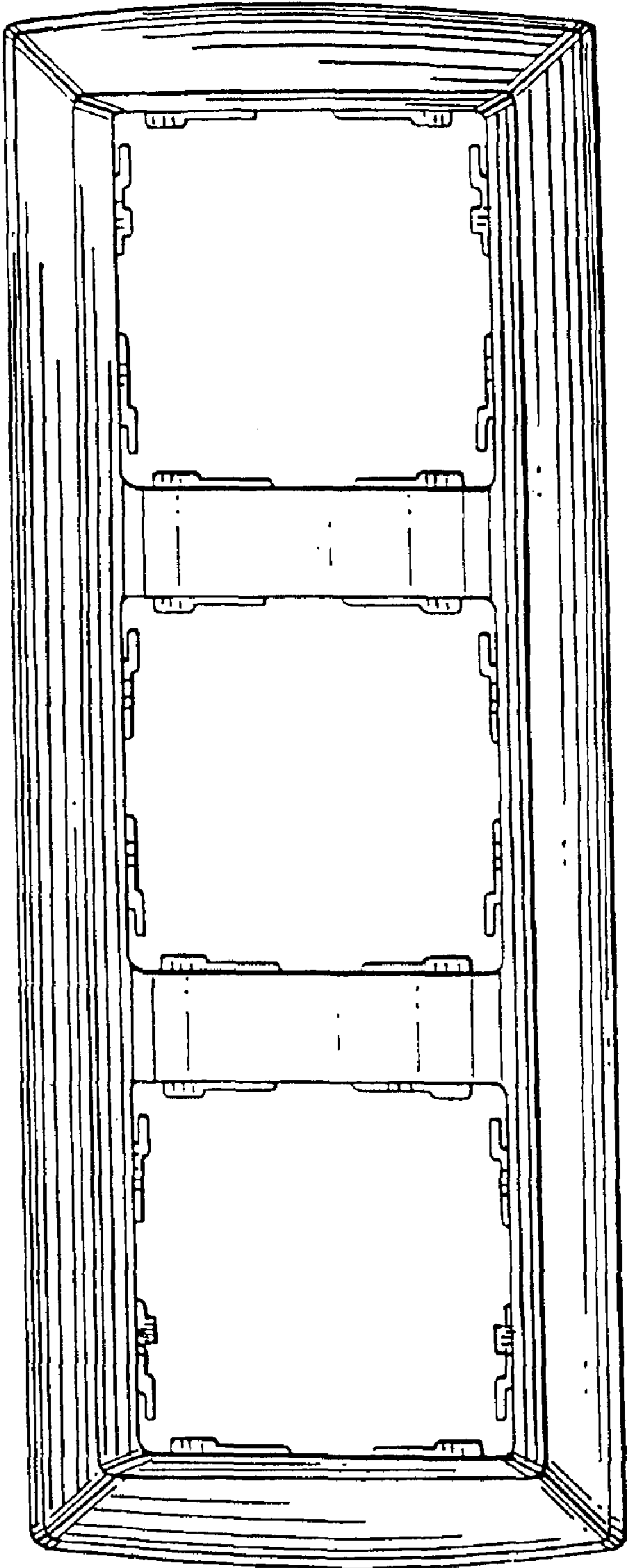


FIG. 15

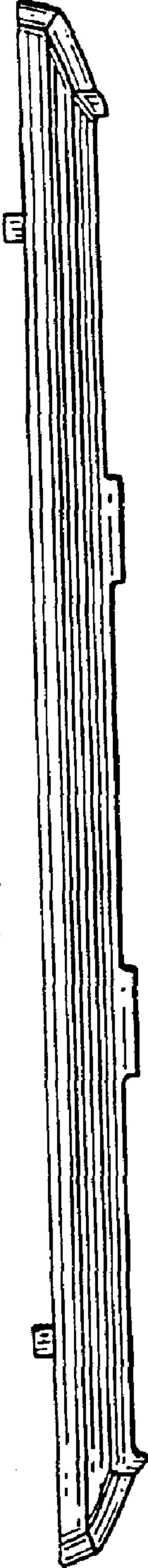


FIG. 17

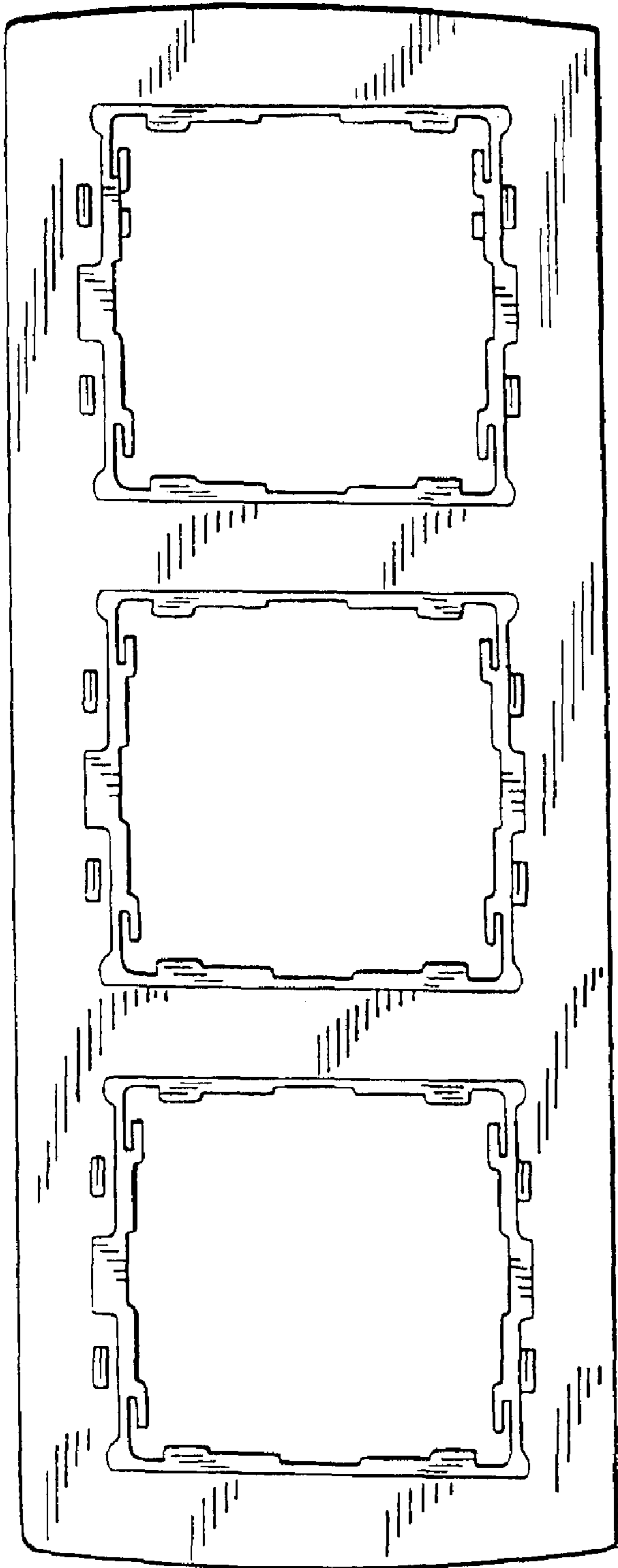
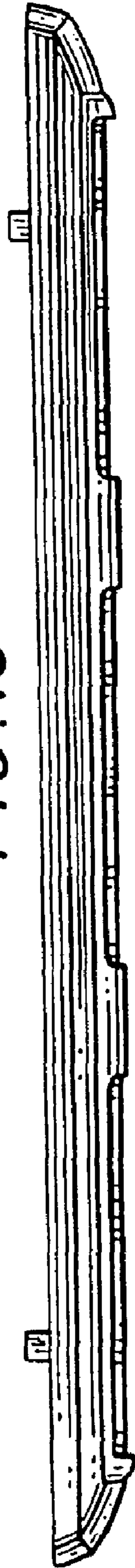


FIG. 18



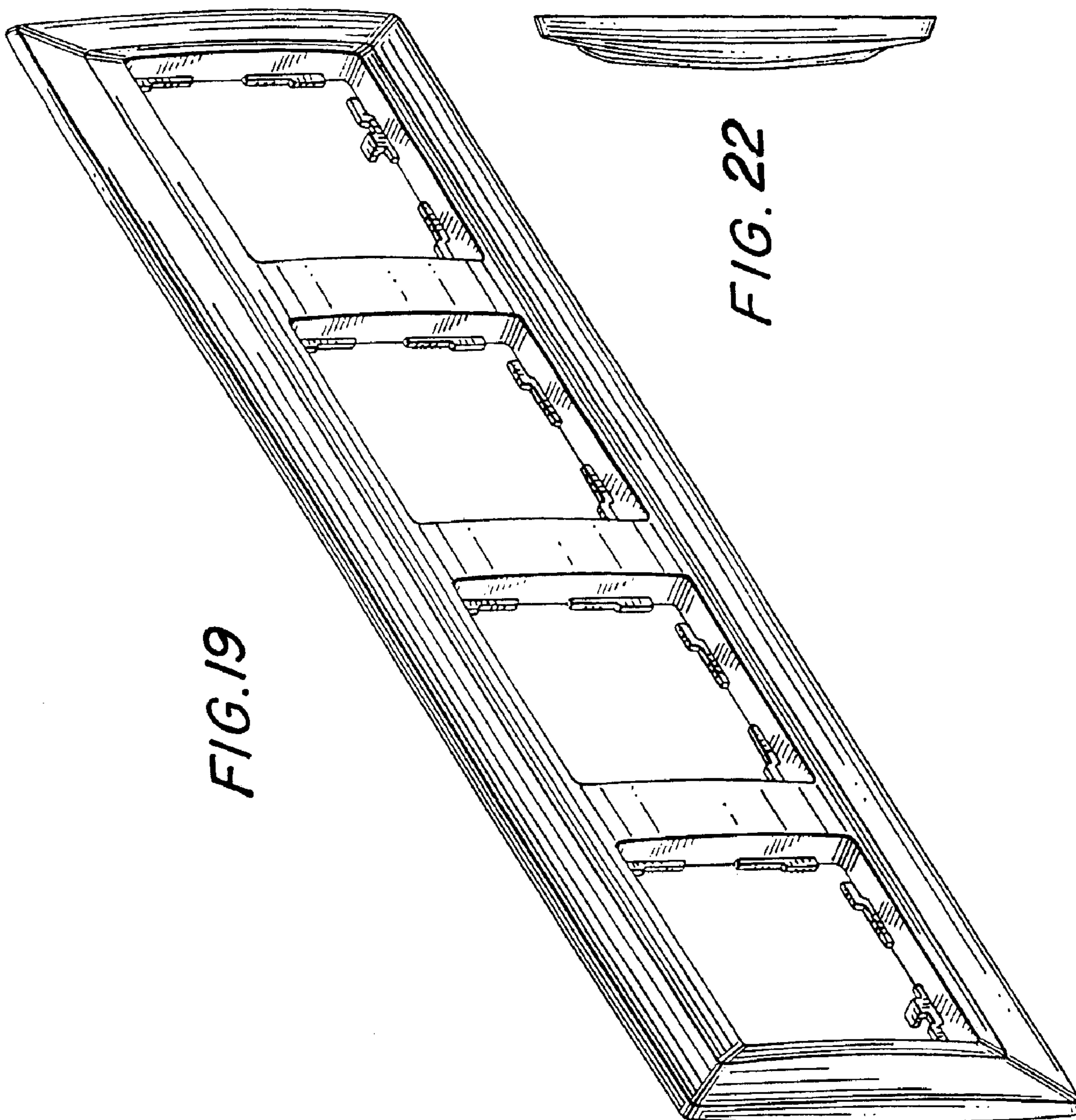


FIG. 20

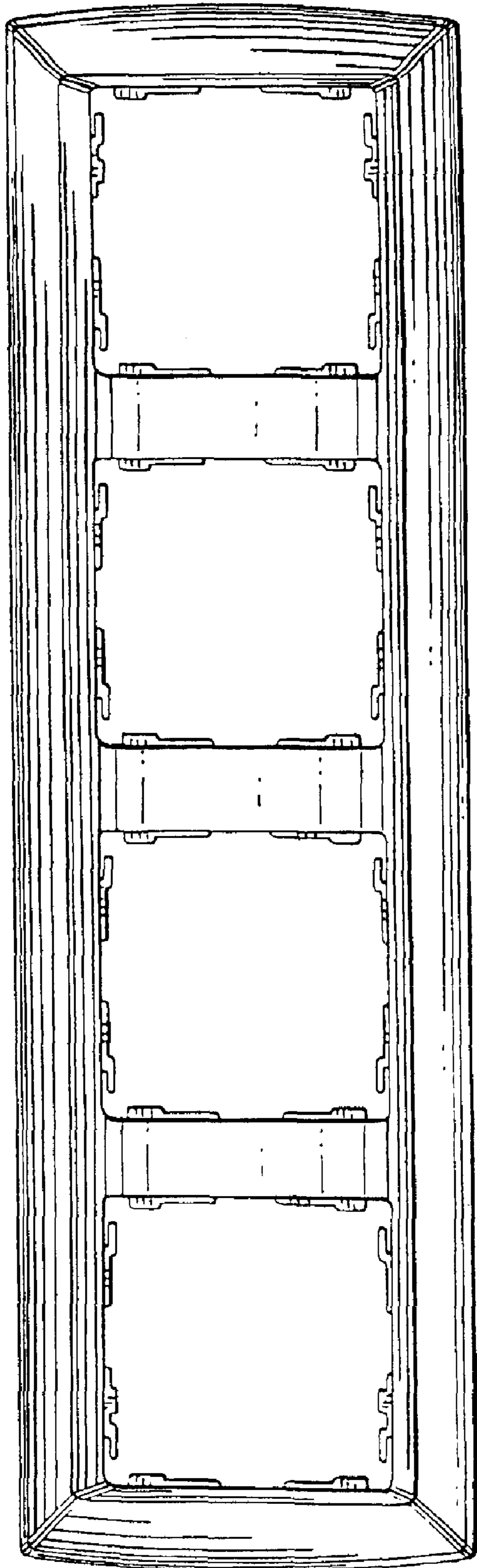


FIG. 21

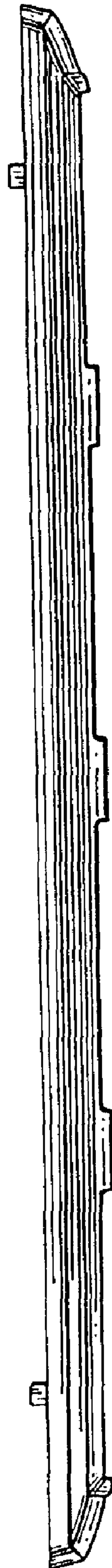


FIG. 23

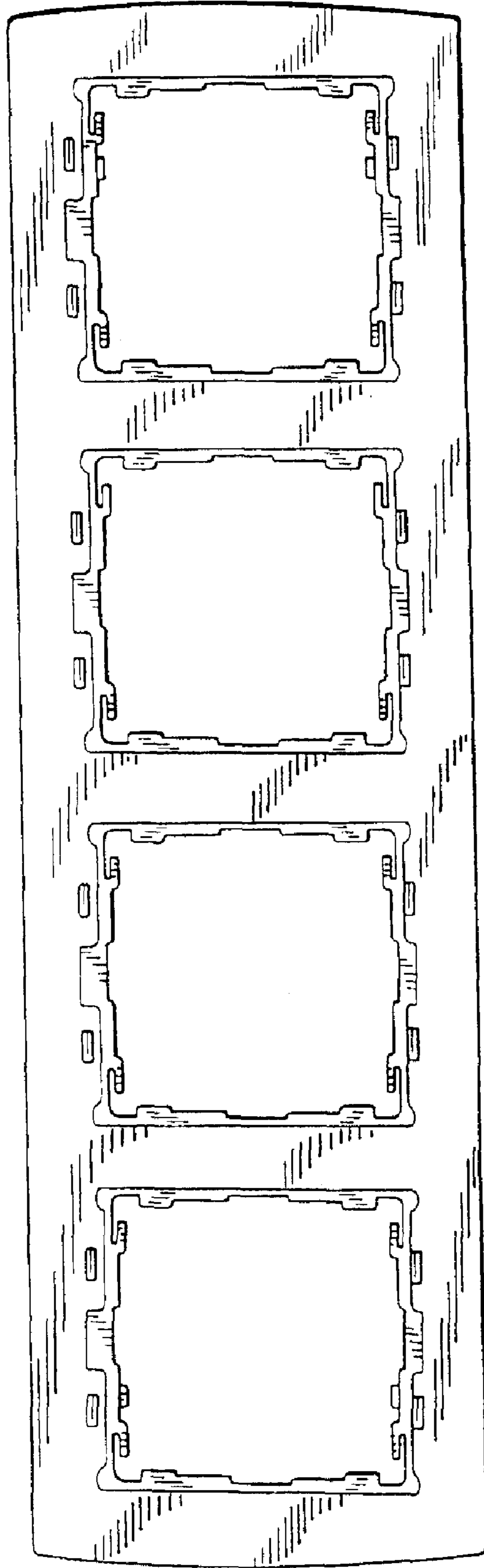


FIG. 24

