



US00RE40258E

(19) **United States**  
(12) **Reissued Patent**  
**Schloemer**

(10) **Patent Number: US RE40,258 E**  
(45) **Date of Reissued Patent: \*Apr. 22, 2008**

(54) <b>CELLULAR RADIO ROUTING SYSTEM</b>	4,965,850 A	10/1990	Schloemer .....	455/33
	4,989,230 A	1/1991	Gillig et al.	
(76) Inventor: <b>Jerry R. Schloemer</b> , 401 Lake Ave., Edward Subdivision, P.O. Box 307, Round Lake, IL (US) 60073	5,101,451 A	3/1992	Ash et al.	
	5,115,430 A	5/1992	Hahne et al. ....	370/85.6
	5,127,042 A	6/1992	Gillig et al. ....	455/11.1
	5,152,002 A	9/1992	Leslie et al. ....	455/422
(*) Notice: This patent is subject to a terminal disclaimer.	5,323,384 A	6/1994	Norwood et al. ....	370/16

(Continued)

(21) Appl. No.: **11/410,337**  
(22) Filed: **Apr. 24, 2006**

**OTHER PUBLICATIONS**

Drucker, Elliott H., "The Advantages of Broadband LPAs", *Cellular Business* (Nov. 1994), pp. 46-52.

Arunkumar, S., and Panwar, R.S., "Efficient Broadcast Using Selective Flooding," Dept. of Computer Science & Engineering, Indian Institute of Technology, Bombay, *IEEE Infocom '92*(Jun. (?) 1992), pp. 2060-2066.

Cox, Donald C., "Wireless Network Access for Personal Communications," *IEEE Communications Magazine*(Dec. 1992), pp. 96-115.

Pub. No. US 2002/0107023, Chari et al., Aug. 8, 2002.

U.S. Appl. No. 60/100,974, filed Sep. 14, 1998 Schloemer et al.

*Primary Examiner*—Jean Gelin  
(74) *Attorney, Agent, or Firm*—David M. Quinlan, PC

**Related U.S. Patent Documents**

Reissue of:

(64) Patent No.: **6,459,899**  
Issued: **Oct. 1, 2002**  
Appl. No.: **09/383,227**  
Filed: **Aug. 26, 1999**

U.S. Applications:

(63) Continuation of application No. 10/833,279, filed on Apr. 27, 2004.  
(60) Provisional application No. 60/100,074, filed on Sep. 14, 1998.  
(51) **Int. Cl.**  
**H04Q 7/20** (2006.01)

(57) **ABSTRACT**

A routing system of call connection and call routing for radio telephone communications system including cellular radio systems wherein the mobiles transmit on channels in a first band, and the bases transmit on channels in a second band. The routes are selectable from more than one possible route to a desired destination using routing tables to permit different destinations for different calls selectively based on telephone number indications. The system includes multiple blind nodes that do not support direct base to mobile communication. The blind nodes transmitting in the band used for transmission by the mobiles, and nodes receive in the band used for receiving by the mobiles such that the system performs in a limited number of bands of frequencies.

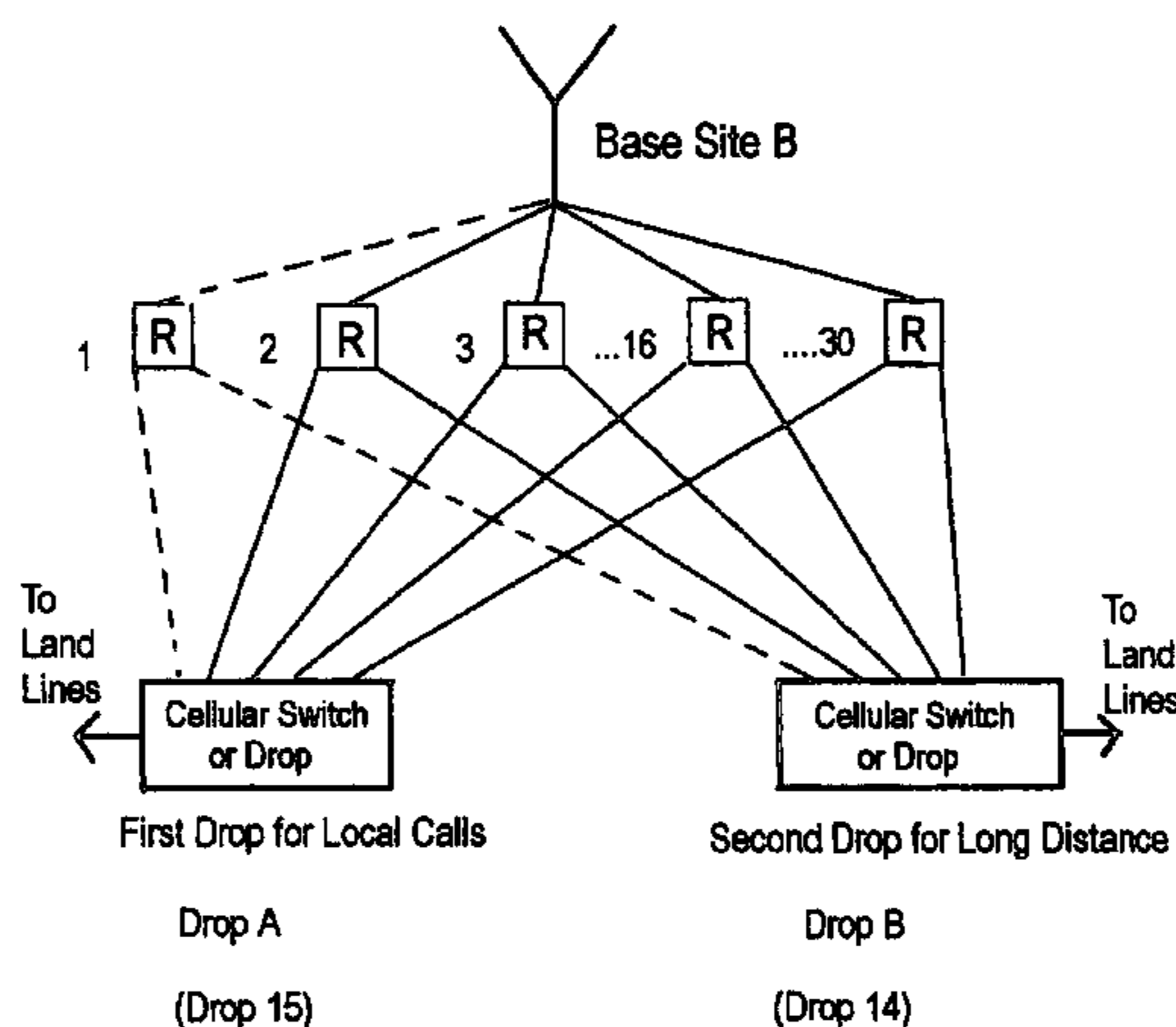
(52) **U.S. Cl.** ..... **455/445**; 455/62; 455/63.4; 455/436; 455/450; 455/11.1  
(58) **Field of Classification Search** ..... 455/445, 455/432.3, 552.1, 562.1, 452.1, 561, 513, 455/13.1, 63.4, 11.1, 525, 435.2; 370/315, 370/334; 379/219, 220.01  
See application file for complete search history.

(56) **References Cited**

**U.S. PATENT DOCUMENTS**

4,125,808 A	11/1978	Graham .....	325/55
4,284,848 A	8/1981	Frost .....	179/2 EB
4,475,010 A	10/1984	Huensch et al. ....	179/2
4,534,024 A	8/1985	Maxemchuk et al. ....	370/85
4,794,649 A	12/1988	Fujiwara	
4,937,822 A	6/1990	Weddle et al.	

**61 Claims, 6 Drawing Sheets**

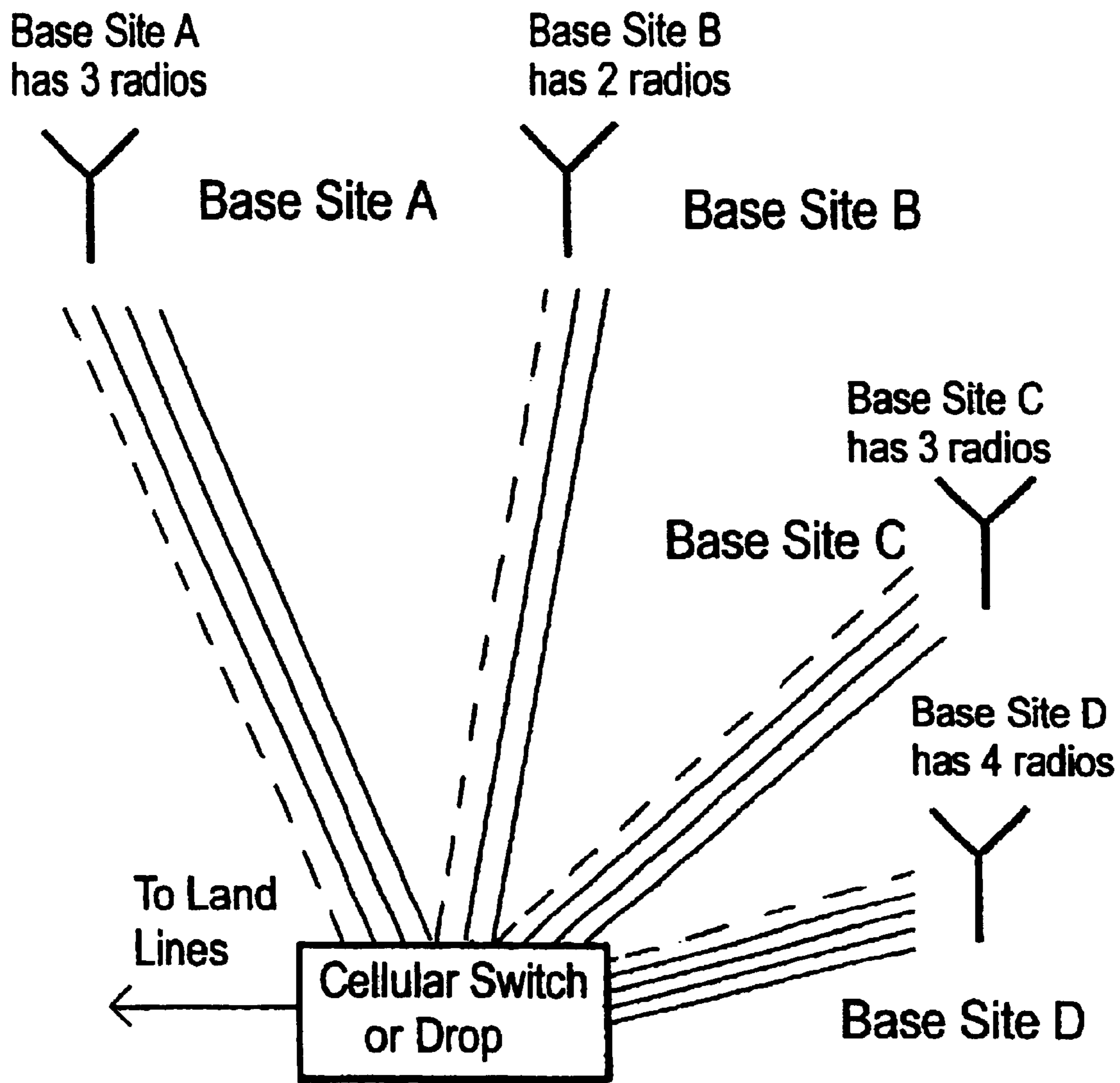


# US RE40,258 E

Page 2

U.S. PATENT DOCUMENTS							
5,408,679 A	4/1995	Masuda .....	455/11.1	5,787,148 A	7/1998	August .....	379/52
5,412,654 A	5/1995	Perkins .....	370/94.1	5,790,938 A	8/1998	Talarmo .....	455/11.1
5,425,085 A	6/1995	Weinberger et al. ....	379/112	5,793,842 A	8/1998	Schloemer et al. ....	455/445
5,428,636 A	6/1995	Meier .....	375/202	5,850,605 A	12/1998	Souissi et al. ....	455/437
5,440,623 A	8/1995	Moore et al. ....	379/67	5,860,058 A	1/1999	Daniel et al. ....	455/12.1
5,455,569 A	10/1995	Sherman et al. ....	340/825.02	5,890,054 A	3/1999	Logsdon et al. ....	455/11.1
5,483,668 A	1/1996	Malkamaki et al.		5,890,067 A	3/1999	Chang et al. ....	455/446
5,504,746 A	4/1996	Meier .....	370/85.13	5,907,540 A	5/1999	Hayashi .....	370/315
5,526,414 A	6/1996	Bédard et al. ....	379/221	6,023,623 A	2/2000	Benkner et al. ....	455/452
5,570,084 A	10/1996	Ritter et al. ....	340/825.05	6,052,557 A	4/2000	Kinnunen et al. ....	455/9
5,588,048 A	12/1996	Neville .....	379/127	6,055,411 A	4/2000	Ishida et al. ....	455/11.1
5,590,188 A	12/1996	Crockett .....	379/225	6,055,429 A	4/2000	Lynch .....	455/445
5,590,395 A	12/1996	Diekelman .....	455/13.1	6,246,380 B1 *	6/2001	Chow .....	343/897
5,610,821 A	3/1997	Gazis et al. ....	364/444.2	6,459,899 B1	10/2002	Schloemer .....	455/445
5,633,922 A	5/1997	August et al. ....	379/220	6,480,719 B1	11/2002	Schloemer .....	455/450
5,659,544 A	8/1997	La Porta et al. ....	370/312	6,704,301 B2	3/2004	Chari et al.	
5,737,403 A	4/1998	Zave .....	379/211	6,873,848 B2	3/2005	Schloemer	
5,748,619 A	5/1998	Meier .....	370/278	6,965,575 B2	11/2005	Srikrishna et al.	
5,754,630 A	5/1998	Srinivasan .....	379/88	7,058,021 B2	6/2006	Srikrishna et al.	
5,757,783 A	5/1998	Eng et al. ....	370/315	2002/0107023 A1	8/2002	Chari et al.	
5,764,741 A	6/1998	Barak .....	379/114	2004/0224695 A1	11/2004	Schloemer	

\* cited by examiner



Prior Art

Figure 1

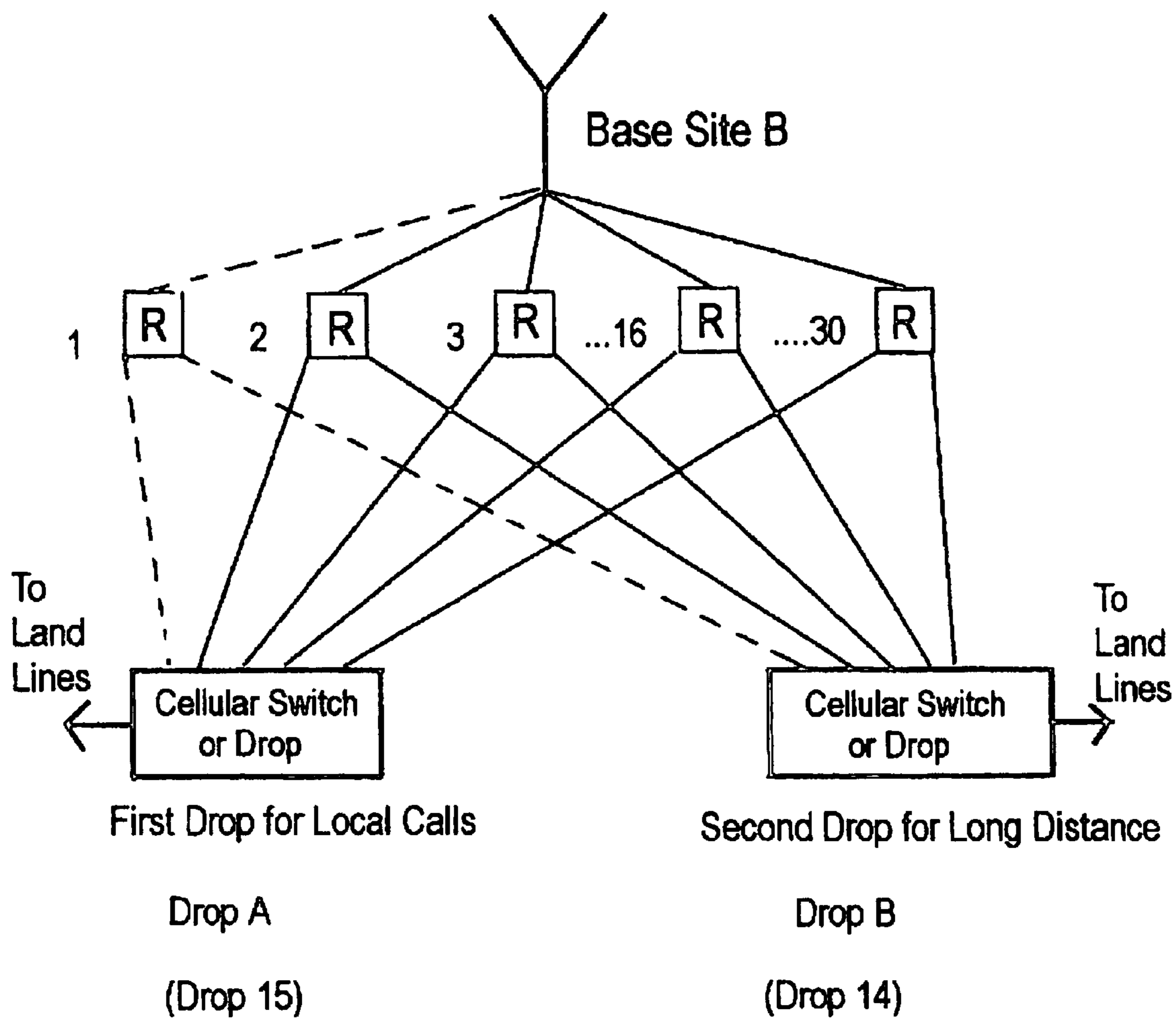


Figure 2

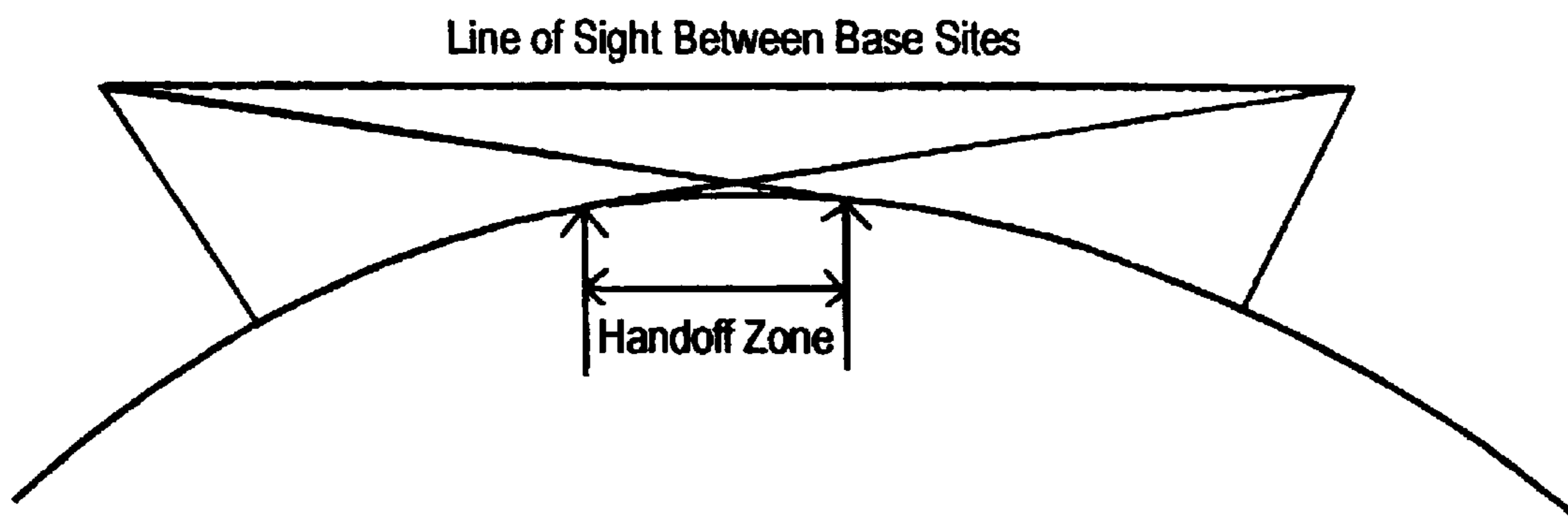
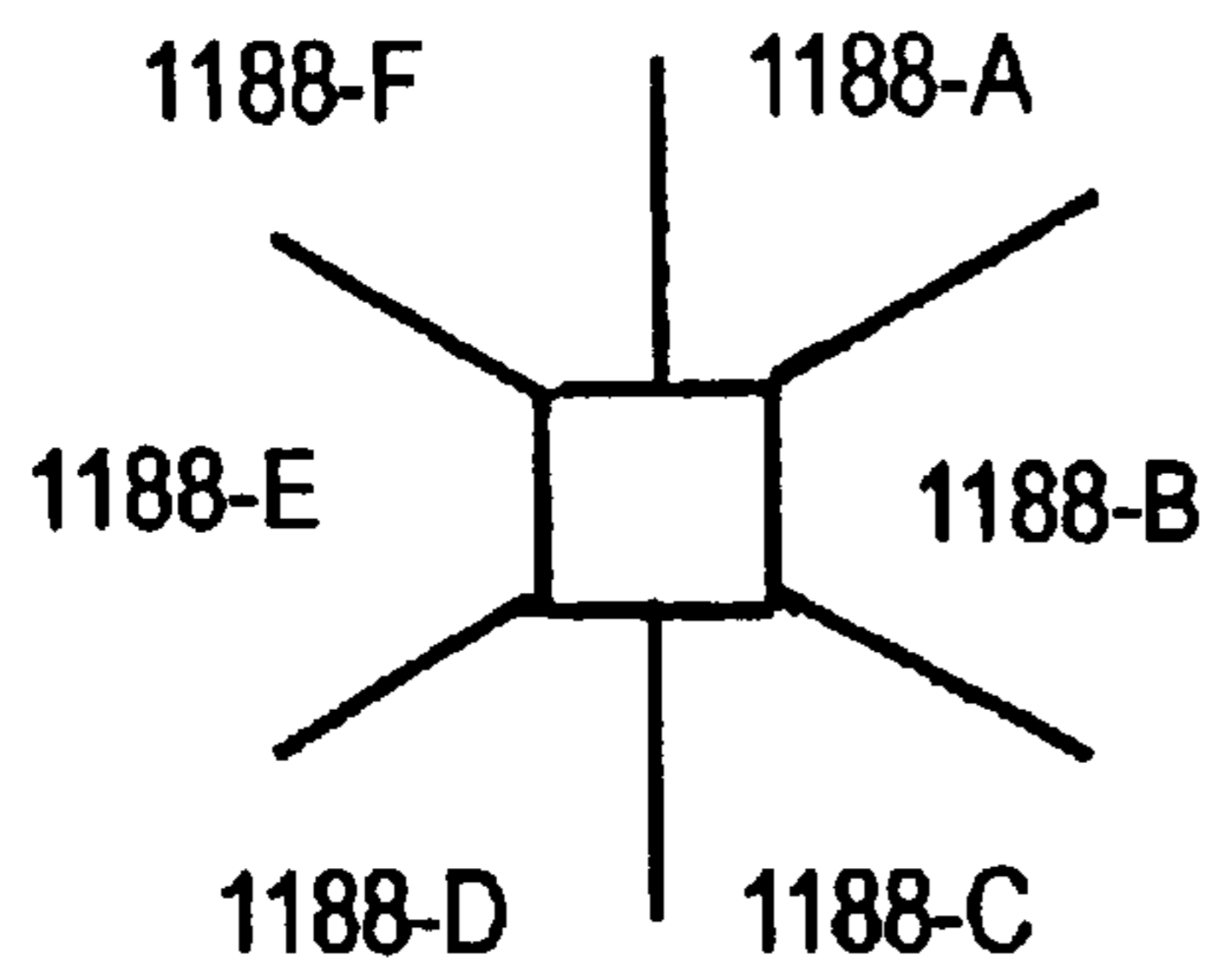
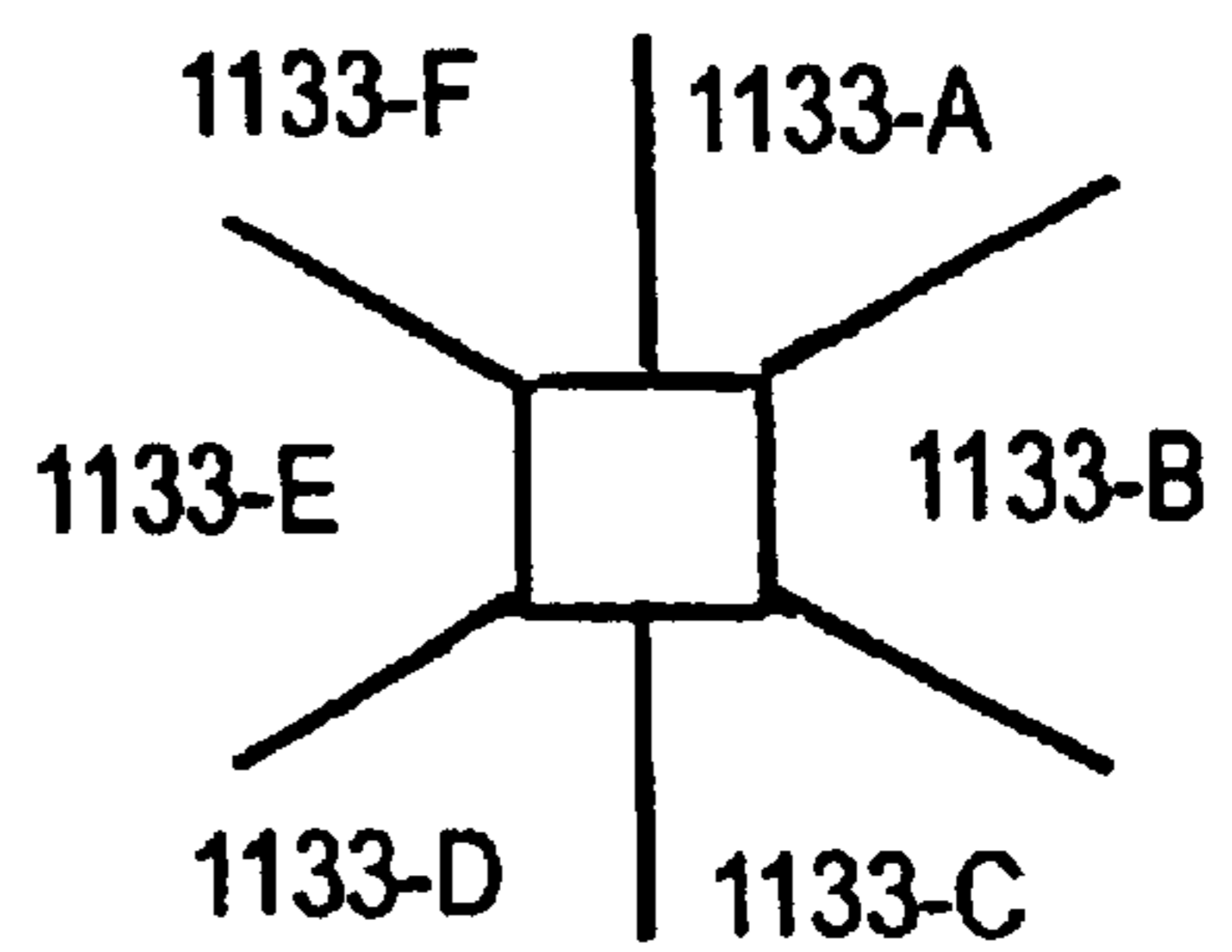


Figure 3



Libertyville Site 1188



Lincolnshire Site 1133

Figure 4

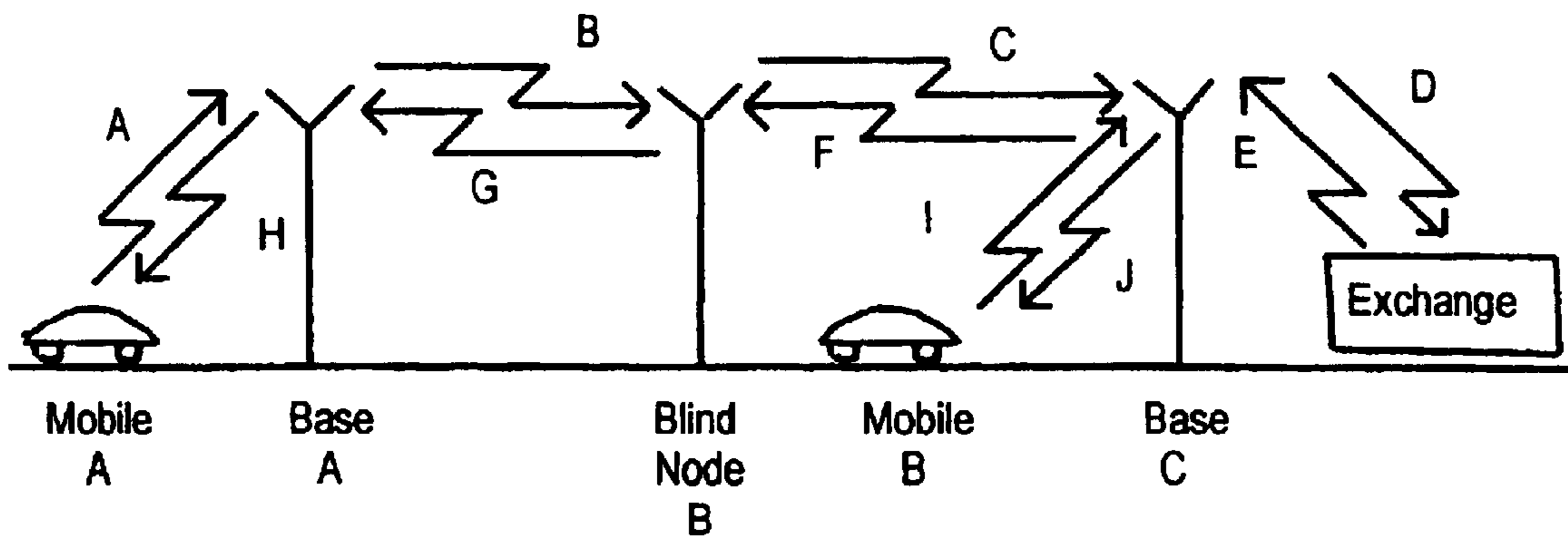
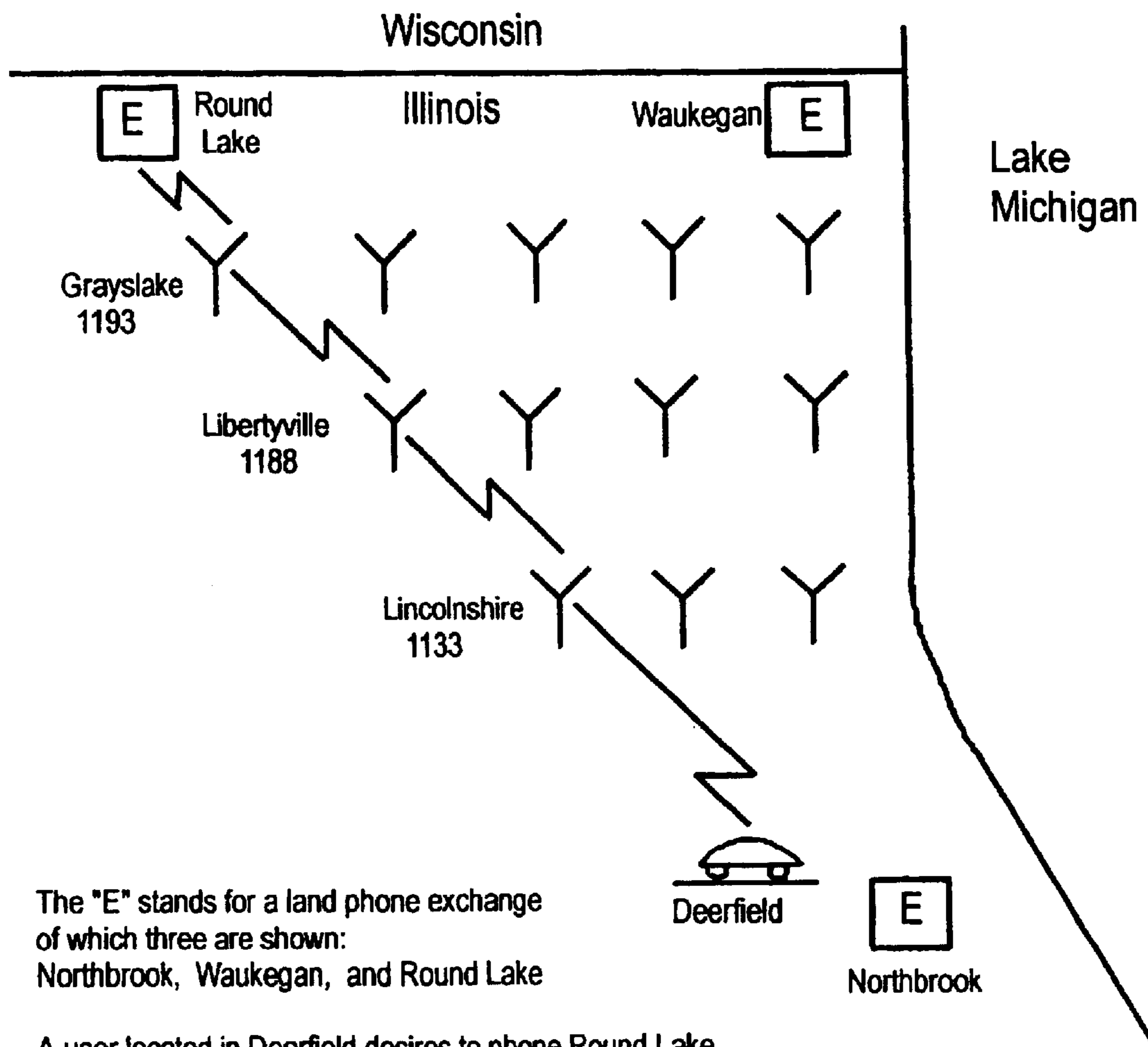


Figure 5



The "E" stands for a land phone exchange of which three are shown: Northbrook, Waukegan, and Round Lake

A user located in Deerfield desires to phone Round Lake

Only some of the cell sites are shown

Figure 6



## CELLULAR RADIO ROUTING SYSTEM

**Matter enclosed in heavy brackets [ ] appears in the original patent but forms no part of this reissue specification; matter printed in italics indicates the additions made by reissue.**

## CROSS-REFERENCE TO RELATED APPLICATIONS

*This is a continuation of application Ser. No. 10/833,279, filed Apr. 27, 2004, for reissue of U.S. Pat. No. 6,459,899, issued Oct. 1, 2002, on application Ser. No. 09/383,227, filed Aug. 26, 1999, which claims benefit of provisional application No. 60/100,074, filed Sep. 14, 1998. This is also the parent of a continuation reissue application filed Oct. 31, 2007, and accorded application Ser. No. 11/982,295.*

The present application claims the priority date of U.S. Provisional Patent Application Serial No. 60/100074 filed on Sep. 14, 1998 in the name of Jerry R. Schloemer.

## BACKGROUND OF THE INVENTION

This application discloses improvements to U.S. Pat. No. 5,793,842 issued to Jerry R. Schloemer and Leo J. Aubel, U.S. Pat. No. 5,793,842 is incorporated herein by specific reference thereto. While the entire patent '842 is incorporated herein by reference, FIGS. 1-11 and the associated description are particularly pertinent to this invention. In U.S. Pat. No. 5,793,842 a method of connecting a call to a desired one of several drops (destinations) was disclosed. An originating mobile unit contacts an originating base site to set up a call. The originating base site then routes the call towards the desired destination. Included in this patent were the steps of combining route segments (links) between nodes (base sites) to make a longer route that would connect an initializing base thru one or more nodes to a desired drop or exchange dependent upon the final call destination. Then, when a call is originated, the routing tables present in the nodes would route the call to the desired destination thru one or more nodes. Signal to interference tests were used to assign interference free channels in both the mobile to base and base to base communications. Because the routing literature, refers to nodes, and the cellular radio literature refers to base sites, and the functionality of the two technologies is combined, the terms "base" and "node" will be used to refer to the same functional piece of equipment.

## SUMMARY OF THE INVENTION

The invention herein describes a system and method of wireless call routing between various cell sites such that the optimum route back to one of several exchanges is chosen. Novel systems and methods of node design, antennae selection, and switching to selected drops are described.

The foregoing features and advantages of the present invention will be apparent from the following more particular description of the invention. The accompanying drawings, listed herein below, are useful in explaining the invention.

## DESCRIPTION OF THE DRAWINGS

FIG. 1 shows the current technology where the base sites are connected to a common central switch. Although land lines are typically used, in some systems radio links are used;

FIG. 2 shows a base site being served by two different switches;

FIG. 3 Shows that adjacent base sites typically have good line of sight between them;

FIG. 4 Shows two base sites, and the corresponding patterns of directional antennas;

FIG. 5. Shows the concept of a blind node routing communications in the same bank back to a central switch; and

FIG. 6 Shows the geographical area and system in an overview concept.

## DESCRIPTION OF THE INVENTION

In a large metropolitan area such as the Chicago, Ill. area, the inventive features described herein below can be combined in a single system to enhance the total system operation. For example, if a non resident long distance carrier owned the radio cellular system described, the combinations might be beneficial. In those few sites that are located near the long distance carrier's long distance switch, the base sites would be equipped with the relay closures as described below to minimize the number of calls that were routed thru the local telephone company. In sites located in the close in towns where considerable traffic was anticipated, the radio routing features as described in U.S. Pat. No. 5,793,842 would be utilized in conjunction with the method of utilizing and assigning directional antennas to improve spectrum efficiency. In sites located in the far towns where radio congestion is not a problem, spectrum could be allocated to the routing function, and blind nodes would be utilized. An example of a user located in Deerfield, Ill. trying to contact a land line user located near Round Lake, Ill. is shown in FIG. 6. Only some of the cell sites are shown in the FIG. 6.

In land line telephony the present trend is to replace conventional relay closures and dedicated lines by packets of data that are routed along common lines. In the application of the invention described herein below, the inventive concepts can be utilized to support packet data.

Refer to FIG. 1 which shows the prior art or current technology. In this prior art each radio is a duplex pair with a transmitter and receiver. Each radio has a circuit back to the cellular switch (or drop). The dotted lines show the control channels. In many installations of the cellular and routing system described herein, wire lines are already present that wire (connect) the base sites to various exchanges and various drops. Because of the limited radio spectrum available, it is desirable to use wire lines whenever they go to the proper destination, as the radio spectrum is too valuable to waste.

Refer to FIG. 2 which shows the inventive method wherein at base site B each radio pair is wired to a relay at base site B that can be used to route the call to either the drop 14 that is used for long distance calls or the drop 15 that is used for local calls. Other base sites of the system would be similarly connected. Note, of course, that sites in low usage areas would still be connected in the prior art manner.

In a preferred embodiment of the invention, routes are created automatically as disclosed in referenced patent U.S. Pat. No. 5,793,842. In the referenced patent the system includes multiple nodes and links between the nodes that are combined into routes that route calls to a desired drop. In another embodiment of the system explained herein, the base site uses tables are manually loaded into the base site computer that will control the routing destination. This alternate embodiment does not utilize multiple links thru multiple nodes, but just routes calls from a base site to a desired drop based on the desired exchange. In one utilization of this concept, wire lines are used from the base site

back to the various drops. A combination of both wire (land) lines and radio can also use these concepts to build a operational system.

Many cellular systems are built to a so-called the AMPS standard. The AMPS standard comprises a series of precise protocols such that different manufacturers products will work together in a common manner. In AMPS systems, various base sites are given a limited number of radios that transmit and receive only on specific paired frequencies. Whereas a total cellular system might have hundreds of paired radio channels, a given base site might have only 30 different radios. Each of these 30 different radios transmits and receives on a specific frequency pair that is carefully chosen to avoid co-channel interference with adjacent cell sites; each of these 30 radios was hard wired back to a switch which utilizes a circuit that supported a duplex conversation. The switch contains the logic to connect the radios into the land line telephone system, record information for billing purposes, and also control handoff. For explanation purposes consider a simple system with only two drops. These drops correspond to the switches in a conventional AMPS cellular system. Consequently, there is a need for 30 duplex circuits leaving the base site going to the first drop and another 30 circuits going to the second drop.

A method of connecting any of these 30 different radios to any of the 60 different output circuits would be to install a switching matrix of size 30 by 60 which might involve up to 1800 relays, or else an expensive computerized switching machine to handle up to 30 simultaneous duplex audio transfers. A computer/switching system at each base site that stores routing tables, that controls the routing decisions, and also controls the actual connections back to the various drops could be used.

Refer to FIG. 2 which shows the inventive method of implementation the routing concepts in above referenced U.S. Pat. No. 5,793,842 by utilizing a simpler method of call connection. The concept is based on the premise of avoiding complexity at the base site, and letting the routing computer at the base site make only routing decisions, and pass all the remaining complexity back to the various drops. The routing computer consequently only need to make a routing decision and the appropriate connection.

In the inventive system there is a signaling channel and when a call is being set up, the various messages are sent over the air thru the signaling channel, and then this signaling channel is routed directly back to the cellular switch. The present invention routes the signaling channel thru the base site computer. The base site computer does not alter the contents of the signaling messages, but only records the call destination for the remote user. The base site computer brings the signaling message into its memory. The base computer then compares the call destination (area code and exchange) with a pre-stored table in the computer to determine the drop that should handle the call. Then the computer retransmits the signaling message to the desired drop. In the simple case of a two drop system, there is a single relay that can switch the output of the computer to the signaling circuit of either drop.

Each of the 30 circuits from the radios in the base site goes to a single relay (30 relays in total) that will send the call along to the desired drop. In FIG. 2 the box indicated as R depicts 30 different relays each controlling a duplex circuit to either the local call cellular switch or the long distance cellular switch. It should be understood that the number 30 not limiting, but only chosen as an example. Each relay will have a choice of only two circuits. For example, radio

number 16 can only be connected to line 16 back to drop A or radio number 16 can only be connected to line 16 back to drop B. Consequently, the required cross bar is replaced with a simple computer that controls 30 audio channel relays and 1 switching channel relay. The audio channels do not go thru the computer which greatly simplifies the design of the computer. The base site computer only has to perform the straightforward function of decoding the signaling messages to retrieve the desired telephone exchange, and utilizing that information to close the appropriate relays.

In some instances the drops choose the next available radio in sequence to handle the call. However, most systems have a method of monitoring before assignment, and when it is desired to install a system without modification of the drop logic, one could easily indicate by various means that the channel was noisy, if it were being used by the alternate drop, etc. For a further explanation of the inventive concept, refer first to FIG. 1 that depicts a portion of a prior art cellular radio system. There are four base sites shown in FIG. 1. Base site A has only three radios and three duplex circuits back to the switch. Base site A also has a control channel shown as a dotted (dashed line) back to the switch. Base site B has only two radios, and the two duplex circuits back to the base site are shown. The control channel is shown as a dotted (dashed line).

Refer to FIG. 2 which depicts the embodiment of the system for base site B only. In this showing there are two potential drops in the system and local telephone calls are being routed to the first drop. Long distance calls are being routed to the second drop. This embodiment is useful for a long distance company that owns a local cellular system and permits the cellular operator to limit the number of companies involved in the call completion process.

FIG. 2 shows that only thirty relays are required at base site B to make the system operational, instead of the prior art 30 by 30 matrix switching circuit. One is able to implement the system with only thirty relays that close the two voice circuits and the control channel circuit as appropriate.

The foregoing leaves the matrix switching apparatus in the drop, and permits a selection of drops by simple connect and disconnect switching hardware at the node.

The present invention includes another important improvement to the concepts disclosed in U.S. Pat. No. 5,793,842. The improvement relates to the method of choosing antennas for base to base communications. Base to base radio paths in a cellular system typically have good propagation characteristics. It is known that the insertion of obstructions in the path of a radio signal cause significant shadows that greatly reduce the received signal strength. In many instances it is very difficult to transmit radio signals thru tall buildings and around the curvature of the earth. Refer to FIG. 3 that shows that base sites must have significant height with respect to the curvature of the earth in order to permit a hand off zone for the mobiles operating in the cellular system. If two base sites are positioned such that they have good overlapping coverage to supply a good radio signal to a mobile, it then usually follows that those two base sites have good line of sight between each other.

It is also known in cellular radio that using sectoring antennas at base sites to direct signals to and from mobiles accomplishes two important things. The first is that the desired signal level is increased which offers better communication. The second is that spectrum efficiency is improved in that antennas only radiate in one direction, and consequently, radio waves are spread in only one direction. The method described herein below uses actual signal strength measurements to assign antenna patterns.

## 5

In the method of radio routing described herein, advantages of better signal quality and also better spectrum utilization occur when directional antennas are added to the base sites to help the radio routing function between base sites. In this embodiment, six different antennas, each of 5 sixty degrees are mounted to improve the radio routing function. Each antenna has specific radios attached directly to the antenna. The initial routing tables explained in referenced U.S. Pat. No. 5,793,842, are modified to take into account these different antennas. For example, table II in Col 8 which is reproduced below is modified as will be explained.

TABLE II

Time Slot No.	User of Slot
1	L001 (Located in Round Lake)
2	L002 (Schaumburg)
3	L003 (Evanston)
4	L004 (Glenview)
5	L005 (Lisle)
6	L006 (Libertyville)
.	.
.	.
.	.
27	L027 (Antioch)
.	.
.	.
1001	1001 (Peoria node)
.	.
.	.
1133	1133 (Lincolnshire node)
1188	1188 (Libertyville node)

The Lincolnshire site, #1133, depicted above becomes six different sites in the routing process as follows:

- Lincolnshire #1133-A First Antenna
- Lincolnshire #1133-B Second Antenna
- Lincolnshire #1133-C Third Antenna
- Lincolnshire #1133-D Fourth Antenna
- Lincolnshire #1133-E Fifth Antenna
- Lincolnshire #1133-F Sixth Antenna

The Libertyville site, #1188, becomes six different sites in the routing process, as follows:

- Libertyville #1188-A First Antenna
- Libertyville #1188-B Second Antenna
- Libertyville #1188-C Third Antenna
- Libertyville #1188-D Fourth Antenna
- Libertyville #1188-E Fifth Antenna
- Libertyville #1188-F Sixth Antenna

Table II has base site numbers and corresponding time slots, the table is now expanded to include 6 different time slots for the Lincolnshire site, and 6 different time slots for the Libertyville site. (If the Grays Lake site had only two 180 degree antennas, that it would have only two time slots for its use)

Consequently, when the Libertyville site transmits on the first antenna, it is transmitting in its first time slot. When the Libertyville site transmits of the second antenna, it is transmitting in its second time slot. When the Lincolnshire site listens to the various time slots, it listens on all of its directional antennas. (Actual physical locations and compass directions are not utilized.) Consequently, there are a total of 36 different possible links between Libertyville and Lincolnshire that could be utilized if Lincolnshire desired to contact Libertyville to route a call. These 36 different

## 6

possibilities are added to the table at the Lincolnshire site, as the Lincolnshire site listens to Libertyville. In fact, a northern pointing Libertyville site, might not even be heard by the southern pointing Lincolnshire site. In fact, a western pointing Lincolnshire site might not hear an eastern pointing Libertyville site.

Consequently, in real world operation, the Lincolnshire site might only hear 14 of the possible 36 combinations, and might only record these 14 into its initial routing table. Refer to FIG. 4, which depicts 60 degree antennas and their corresponding position. For example, Lincolnshire site 1133-C might not hear Libertyville site 1188-F, and this would never be entered into the table. Lincolnshire site 1133-E might hear Libertyville Site 1188-B with the strong signal strength and that would be added to the table. In fact, that particular combination would probably end up the strongest path, and that would be the final entry in the table. The creation of the table is dynamic and totally automatic. Instantaneous signal strengths are utilized. However, the Lincolnshire site, immediately after listening to Libertyville, eliminates the weaker combinations. There is no reason to keep the weaker signal paths between the two base sites. Although this process initially includes numerous possible propagation links, these are immediately reduced in the tables, and the tables remain the same length. The only final addition to the tables at each base site is the antenna that it should use for transmission, and the antenna that each site should use for receiving, in the case that these two sites needed to create a communication path.

Following is a more specific representation of a portion of the transmissions made by the Libertyville node as previously shown in and Table XII of U.S. Pat. No. 5,793,842 as shown below.

TABLE XII

1188	Land node number
546	Prefix
3	Links
32	Signal Strength

The first line in the following table represents the transmission from the first sectoring antenna, the second line represents the transmission from the second sectoring antenna. The third, fourth, fifth, and sixth lines are also respectively from the third, fourth, fifth, and sixth sectoring antenna.

NEW TABLE XXX

Node	Prefix	Links	Signal Strength
1188-A	546	3	42
1188-B	546	3	42
1188-C	546	3	42
1188-D	546	3	42
1188-E	546	3	42
1188-F	546	3	42

Referring to Table XII, the weakest signal strength in the route to 546 was 32 Db over threshold. However, because of increased antenna gain in both the transmitting and receiving antennas along the various links to Round Lake exchange 546, the minimum signal strength is now 42 Db.

Now, the Lincolnshire node receives each of the above six transmission at six different antennas. The following table is for the receiving antenna at node 1133-A. However, because the receiving antenna 1133-A points in a north northeasterly direction that is not directed towards the Libertyville node,

only one signal is heard. This signal bounced off building and came from 1188-B. It is a very weak signal

NEW TABLE XXXI

Node	Prefix	Links	Signal Strength	New Sig. Str.
1188-B	546	3	42	12

Following are the signals received at node 1133-B which points in an easterly direction. Because 1133-B pointed in an easterly direction, it did not receive any signal good signals, but did receive a very weak signal from both 1188-B and 1188-C.

NEW TABLE XXXII

Node	Prefix	Links	Signal Strength	New Sig. Str.
1188-B	546	3	42	8
1188-C	546	3	42	5

The results at 1133-C, 1133-D not shown here, were also primarily weak signals. However, we now show the received signals at 1133-E which is an antenna that is pointing somewhat in the direction of the Libertyville node.

TABLE XXXIII

Node	Prefix	Links	Signal Strength	New Sig. Str.
1188-A	546	3	42	5
1188-B	546	3	42	52
1188-C	546	3	42	50
1188-D	546	3	42	18
1188-E	546	3	42	2

The results from the receiving antenna 1133-F were as follows.

TABLE XXXIV

Node	Prefix	Links	Signal Strength	New Sig. Str.
1188-A	546	3	42	5
1188-B	546	3	42	40
1188-C	546	3	42	38
1188-D	546	3	42	9

Before any other calculations are made, the node at Lincolnshire, node 1133 immediately goes thru the above tables for each receiving antenna, and leaves only the choice with the best received signal strength from all of the tables. Antenna 1133-E received the strongest transmission from site 1188-B as noted in the above tables at 52 Db over threshold. Consequently, only this transmission is carried forward as follows:

TABLE XXIV

Node	Prefix	Links	Signal Strength	New Sig. Str.	Antenna
1188-B	546	3	42	52	1133-E

Additional calculations are performed as explained previously to finish the routing calculations. It was the intent above only to show how directional antennas are added into the system. Later, when Lincolnshire node number 1133 desires to contact Libertyville node number 1188 to place an actual call, Lincolnshire will know which antenna to use for transmission, and it will know which antenna to contact at the Libertyville site.

The aforementioned process of utilizing 60 degree antennas will enhance spectrum utilization by about a factor of six. Only small sectors are illuminated when creating usable links for a specific conversation. In the dynamic channel assignment process that occurs when setting up an actual call, the reduced interference received from remote conversations will enhance the number of usable channels. The desired signal strength is enhanced because of the directional antennas, and the undesired signal is decreased because the base sites are perhaps using antennas that do not point towards the base site in question.

A further optional improvement can be added for even greater spectrum utilization. Steerable arrays are well known. Such arrays create narrow beams by utilizing a series of small antennas to which the phases of the signals are adjusted. When Lincolnshire and Libertyville are in communication, this additional known technology will focus both the transmitting and receiving beams less than 60 degrees to further enhance spectrum efficiency and further enhance signal to noise performance.

U.S. Pat. No. 5,793,842 discloses a system where multiple bands are utilized to perform the different types of communication. For example, base to mobile communications occur in the traditional mobile to base bands, and node to node communications can occur in the new Multipoint bands. In large metropolitan areas where it is desired to maximize the amount of mobile to base communication, such a band allocation is very desirable. However, a novel re-arrangement of the existing base (node) to mobile channels and existing mobile to base (node) channels provides an improvement which is more practical in sparsely populated areas and in third world countries.

The invention described herein can be utilized in various ways, and the following three applications disclose alternate methods of band allocation.

Highly congested cellular systems such as systems in Chicago, Miami, etc. etc. Low density applications of cellular radio as found in Idaho, Nebraska, etc. etc. Third world countries where cellular is used instead of land line phone systems.

In highly congested cellular systems such as one finds in Chicago, Miami, and other high populated places, spectrum for node to mobile and mobile to node will be highly utilized, and the band utilization methods suggested in this embodiment will have limited application. However, for new systems in Chicago and Miami, the methods suggested in this embodiment would have value until usage to grow to a congested amount. For systems designed for the third world, the spectrum load will not be significant, and the methods of this embodiment will be useful. For systems designed for low density applications, the spectrum load will not be significant, and the methods of this embodiment will be useful.

One of the technical problems that is solved in cellular radio is the problem of permitting the mobile unit to both talk and listen simultaneously. This same problem is encountered at the base site. Part of the solution to this problem lies in the method of band assignment to cellular radio. Cellular radio systems are divided into two different bands, and these bands are not next to each other. It is this band separation that permits the delicate receiver to operate in the presence of a booming, in comparison, transmitter. If the transmitter and receiver were close to each other in frequency, the problems of duplex operation would increase, and the cost would also increase.

To utilize the existing cellular bands to perform the repeater function in an attractive alternative, but one that

must be approached under the limitation that at any one location, the separation of the two cellular bands must be maintained.

The method to utilize the existing bands of cellular frequencies, is to make blind nodes. The new method is consistent with the odd and even nodes disclosed in U.S. Pat. No. 5,793,842. Alternate nodes in a route must transmit and receive on alternate frequencies. For example, if a node transmits on channel 17, the next node in the route must listen on channel 17. This requirement led to the even and odd nodes as described in said patent. In the new method, this node differentiation is maintained, but a novel feature is added as is explained herein below. In this method, half of the node sites would be inoperable with respect to direct mobile to node operation. This would correspond to the odd nodes being blind to node to mobile operation. The odd nodes in effect become inoperable for base to mobile communications. These odd nodes would be operable for routing or node to node communication. These nodes would be "blind" to the operation of the remotes and mobiles. However, since these nodes would not serve the existing remotes, they would utilize the bands of frequencies in the identical method used for the remotes. In this method, the signaling channel that is already present to set up the node to mobile operation is used with different codes to also set up the routes and the channel assignment from normal nodes thru blind nodes to create the routes. In this particular utilization of the cellular bands, Table I of '842 which had a total of 10 different bands is reduced to the two bands as explained below. In the table below the signaling channel is one of the channels in the appropriate band.

Bandflocation	Mobile	Normal Node	Blind Node	Drop
Mobile Transmit Band	Transmits	Receives	Transmits	Transmits
Mobile Receive Band	Receive	Transmits	Receive	Receive

In the above greatly simplified table, the normal base (node) operation and the normal mobile operation occur quite as in a conventional cellular system. However, the normal base (node) can also talk directly to a drop that is configured exactly like a mobile. However, the normal node would utilize multiple channels, and the drop would also utilize normal channels. In this method, the talking and receiving problems that are created in a single band are avoided.

The signaling channel will be highly utilized, but relief is provided by accomplishing the route creation process only at night when the system is not highly utilized. In smaller systems, the amount of routing messages is not significant, and the system performs satisfactorily.

This band allocation option permits the normal node to transmit to any one of a number of drops that would be in range. However, the normal node could also utilize blind nodes to repeat the calls to another normal node that would create a route. The above table of frequency allocations permits a simple installation where there are no blind nodes and the normal nodes can transmit to any number of drops that might be within radio range. This simple installation could be later expanded by the addition of blind nodes that would only serve in a repeater function.

The advantage of easy of manufacturing, limited bands and the elimination of potential licensing problems, and simplified system design are obvious for this approach.

Refer to FIG. 5. In this figure, Mobile A is in a conversation that is routed to the indicated exchange. Also, Mobile B is in a different conversation that is also routed to the same exchange.

- 5 Mobile A initially transmits on channel A which is in the Mobile to Base Band  
 Message is re-transmitted on channel B which is in the Base to Mobile Band  
 10 Message is re-transmitted on Channel C which is in the Mobile to Base Band  
 Message is re-transmitted on Channel D which is in the Base to Mobile Band  
 15 Exchange initially transmits on channel E which is in the Mobile to Base Band  
 Message is re-transmitted on Channel F which is in the Base to Mobile Band  
 Message is re-transmitted on Channel G which is in the Mobile to Base Band  
 20 Message is re-transmitted on Channel H which in the Base to Mobile Band  
 Simultaneously, Mobile B is transmitting on Channel I in Mobile to Base Band  
 25 Mobile B is receiving on channel J which is in the Base to Mobile Band.

(The connection of Mobile B to the Exchange is not shown)

In FIG. 5, Mobile B is shown in normal communication with Base C in vicinity of the Blind Node. The required band separation to achieve full duplex operation is maintained at the Blind Node, at Base C, and at Mobile B. Both the routing and base to mobile communications are satisfactorily carried out in the same set of bands.

35 While the invention has been particularly shown and described with reference to preferred embodiments thereof, it will be understood by those skilled in the art that various changes in forms and details made be made therein without departing from the spirit and scope of the invention.

40 What is claimed is:

[1. In multi-node, multi-remote radio telephone systems, a method of call connection and call routing between said multiple nodes comprising:

- 45 a) using destination number designations and routing tables to select different routes for different calls;  
 b) utilizing directional or beam antennae for communications between said nodes;  
 c) providing a first set of beams from a first node, and providing a second set of beams from a second node, a beam from the first node and a beam from the second node comprising a pair;  
 d) measuring the signal strengths created by pairs of beams; and  
 55 e) selecting a beam pair between different nodes with the highest signal strength, for communications by eliminating beam pairs that have the weaker signals, whereby the multi-nodes comprise base sites, repeaters, and exchanges,  
 60 wherein the exchanges may be from different radio telephone systems.]

[2. In a multi-node, multi-remote radio telephone communications system including cellular radio systems wherein the mobiles transmit in a first band and receive in a second band, and the base transmit in said second band and receive in said first band, a routing system of call connection and call routing comprising the following;

## 11

- a) routing tables to permit different destinations for different calls selectively based on telephone number indications;
  - b) multiple blind nodes, each of which comprises a combination of a repeater and routing tables, said blind nodes using said routing tables to selectively communicate with base sites required to establish the selected routes;
  - c) said blind nodes transmitting in the band used for transmission by the mobiles;
  - d) said blind nodes receiving in the band used for receiving by the mobiles; and
  - e) each said selected route comprising a path that alternates between blind nodes and bases;
- whereby the entire system performs in a limited number of bands of frequencies.]

3. A radio communications system including a plurality of individual nodes capable of distribution arbitrarily relative to each other, each said node comprising:

transmitting apparatus for transmitting radio signals to other said nodes and receiving apparatus for receiving said radio signals from other said nodes;

switching apparatus for establishing a radio link with another said node in said system; and

an autonomous routing computer for using said radio signals received from other said nodes to select a radio link with one of said other nodes, said autonomous routing computers in said individual nodes assembling said selected radio links between a plurality of nodes into a radio communication route between an originating node and a destination node,

wherein:

at least one of said nodes is a directional node including at least one of (i) directional transmitting apparatus for transmitting directional radio signals associated with respective different directions and (ii) directional receiving apparatus for associating received radio signals with respective different directions from which they are received; and

a said autonomous routing computer selects a said radio link including said directional node using a said radio signal received from said directional transmitting apparatus or received by said directional receiving apparatus.

4. A system as in claim 3, wherein no single said node stores said entire radio communication route.

5. A system as in claim 4, wherein:

said radio signals have routing messages;

each said node includes a storage device for storing said routing messages received from other said nodes;

said autonomous routing computer in each said node selects a said routing message associated with a preferred said radio link using a parameter of said routing messages and uses said selected routing message to produce a new routing message for retransmission by said transmitting apparatus; and

said autonomous routing computers in said nodes assemble said preferred radio links into said radio communication route.

6. A system as in claim 5, wherein different said routing messages are selected for different said radio communication routes.

7. A system as in claim 6, wherein said received routing messages not used to assemble any radio communication route are deleted from said storage device.

## 12

8. A system as in claim 3, wherein said directional transmitting apparatus comprises plural transmitting devices.

9. A system as in claim 3, wherein said directional receiving apparatus comprises plural receiving devices.

10. A system as in claim 3, wherein at least one said directional node includes said directional transmitting apparatus and said directional receiving apparatus, said directional transmitting apparatus including plural directional transmitting antennas and said directional receiving apparatus including plural directional receiving antennas.

11. A system as in claim 10, wherein at least one said directional transmitting antenna or one said directional receiving antenna comprises a steerable array antenna.

12. A system as in claim 3, wherein said directional transmitting apparatus transmits said directional radio signals in different time slots and said directional receiving apparatus receives said received radio signals in different time slots.

13. A system as in claim 3, further comprising:

a first said directional node with a said directional transmitting apparatus including a plurality of directional transmitting antennas; and

a second said directional node with a said directional receiving apparatus including a plurality of directional receiving antennas,

wherein said autonomous routing computers in said first and second directional nodes select a said radio link using one of said transmitting antennas and one of said receiving antennas.

14. A system as in claim 3, wherein:

said radio signals have routing messages;

each said node includes a storage device for storing said routing messages received from other said nodes;

said autonomous routing computer in each said node selects a said routing message associated with a preferred said radio link using a parameter of said routing messages and uses said selected routing message to produce a new routing message for retransmission by said transmitting apparatus; and

said autonomous routing computers in said nodes assemble said preferred radio links into said radio communication route.

15. A system as in claim 14, wherein different said routing messages are selected for different said radio communication routes.

16. A system as in claim 15, wherein said received routing messages not used to assemble any radio communication route are deleted from said storage device.

17. A directional node for use in a radio communications system including a plurality of individual nodes capable of distribution arbitrarily relative to each other, each said node including transmitting apparatus for transmitting radio signals to other said nodes, receiving apparatus for receiving radio signals from other said nodes, switching apparatus for establishing a radio link with another said node in said system, and an autonomous routing computer for using said radio signals received from other said nodes to select a radio link with one of said other nodes, said autonomous routing computers in said individual nodes assembling said selected radio links between a plurality of nodes into a radio communication route between an originating node and a destination node, wherein:

said directional node comprises at least one of (i) directional transmitting apparatus for transmitting directional radio signals associated with respective different

## 13

- directions and (ii) directional receiving apparatus for associating received radio signals with respective different directions from which they are received; and a said autonomous routing computer selects a said radio link including said directional node using a said radio signal received from said directional transmitting apparatus or received by said directional receiving apparatus.
18. A directional node as in claim 17, wherein no single said node stores said entire radio communication route.
19. A directional node as in claim 18, wherein:  
said radio signals have routing messages;  
said node includes a storage device for storing said routing messages received from other said nodes;  
said autonomous routing computer in said node selects a said routing message associated with a preferred said radio link using a parameter of said routing messages and uses said selected routing message to produce a new routing message for retransmission by said transmitting apparatus; and  
said autonomous routing computers in said nodes assemble said preferred radio links into said radio communication route.
20. A directional node as in claim 19, wherein different said routing messages are selected for different said radio communication routes.
21. A directional node as in claim 20, wherein said received routing messages not used to assemble any radio communication route are deleted from said storage device.
22. A directional node as in claim 17, further comprising detecting apparatus for detecting the strength of said radio signals received from other said nodes, wherein said autonomous routing computers use said signal strength to select said radio links and said radio link including said directional node is selected depending on the strength of said radio signal received from said directional transmitting apparatus or received by said directional receiving apparatus.
23. A directional node as in claim 22, further comprising a said directional transmitting apparatus including plural transmitting antennas and a said directional receiving apparatus including plural receiving antennas, wherein said radio link including said directional node uses said directional transmitting antenna that transmits the strongest radio signal received at another said node or said directional receiving antenna that receives the strongest radio signal transmitted by another said node.
24. A directional node as in claim 23, wherein at least one said directional transmitting antenna or one said directional receiving antenna comprises a steerable array antenna.
25. A directional node as in claim 22, wherein:  
said radio signals have routing messages including said signal strength;  
said node includes a storage device for storing said routing messages received from other said nodes;  
said autonomous routing computer in said node selects a said routing message associated with a preferred said radio link using said signal strength and uses said selected routing message to produce a new routing message for retransmission by said transmitting apparatus; and  
said autonomous routing computers in said nodes assemble said preferred radio links into said radio communication route.
26. A directional node as in claim 25, wherein different said routing messages are selected for different said radio communication routes.

## 14

27. A directional node as in claim 26, wherein said received routing messages not used to assemble any radio communication route are deleted from said storage device.
28. A directional node as in claim 17, wherein said directional transmitting apparatus transmits said directional radio signals in different time slots and said directional receiving apparatus receives said received radio signals in different time slots.
29. A directional node as in claim 28, wherein:  
said radio signals have routing messages;  
said node includes a storage device for storing said routing messages received from other said nodes;  
said autonomous routing computer in said node selects a said routing message associated with a preferred said radio link using a parameter of said routing messages and uses said selected routing message to produce a new routing message for retransmission by said transmitting apparatus; and  
said autonomous routing computers in said nodes assemble said preferred radio links into said radio communication route.
30. A directional node as in claim 29, wherein different said routing messages are selected for different said radio communication routes.
31. A directional node as in claim 30, wherein said received routing messages not used to assemble any radio communication route are deleted from said storage device.
32. A directional node as in claim 17, wherein said autonomous routing computer in said directional node selects a said radio link with another said directional node in said system.
33. A directional node as in claim 17, wherein:  
said radio signals have routing messages;  
said node includes a storage device for storing said routing messages received from other said nodes;  
said autonomous routing computer in said node selects a said routing message associated with a preferred said radio link using a parameter of said routing messages and uses said selected routing message to produce a new routing message for retransmission by said transmitting apparatus; and  
said autonomous routing computers in said nodes assemble said preferred radio links into said radio communication route.
34. A directional node as in claim 33, wherein different said routing messages are selected for different said radio communication routes.
35. A directional node as in claim 34, wherein said received routing messages not used to assemble any radio communication route are deleted from said storage device.
36. A radio communications system including a plurality of individual nodes capable of distribution arbitrarily relative to each other, each said node comprising:  
transmitting apparatus for transmitting radio signals to other said nodes and receiving apparatus for receiving said radio signals from other said nodes;  
switching apparatus for establishing a radio link with another said node in said system; and  
an autonomous routing computer for using an actual radio parameter of said radio signals received from other said nodes to select a radio link with one of said other nodes, said autonomous routing computers in said individual nodes assembling said selected radio links between a plurality of nodes into a radio communication route between an originating node and a destination node,

wherein:

at least one of said nodes is a directional node including at least one of (i) directional transmitting apparatus for transmitting directional radio signals associated with respective different directions and (ii) directional receiving apparatus for associating received radio signals with respective different directions from which they are received; and

a said autonomous routing computer selects a said radio link including said directional node using said actual radio parameter of a said radio signal received from said directional transmitting apparatus or received by said directional receiving apparatus.

37. A system as in claim 36, wherein no single said node stores said entire radio communication route.

38. A system as in claim 37, further comprising:

a first said directional node with a said directional transmitting apparatus including a plurality of directional transmitting antennas; and

a second said directional node with a said directional receiving apparatus including a plurality of directional receiving antennas,

wherein said autonomous routing computers in said first and second directional nodes select a said radio link using one of said transmitting antennas and one of said receiving antennas.

39. A system as in claim 38, wherein at least one said directional transmitting antenna or one said directional receiving antenna comprises a steerable array antenna.

40. A system as in claim 37, wherein:

at least some of said radio signals have associated routing messages including said actual radio parameter;

each said node includes a storage device for storing said routing messages received from other said nodes;

said autonomous routing computer in each said node selects a said routing message associated with a preferred said radio link using said actual radio parameter and uses said selected routing message to produce a new routing message for retransmission by said transmitting apparatus; and

said autonomous routing computers in said nodes assemble said preferred radio links into said radio communication route.

41. A system as in claim 40, wherein different said routing messages are selected for different said radio communication routes.

42. A system as in claim 41, wherein said received routing messages not used to assemble any radio communication route are deleted from said storage device.

43. A system as in claim 36, wherein:

at least some of said radio signals have associated routing messages including said actual radio parameter;

each said node includes a storage device for storing said routing messages received from other said nodes;

said autonomous routing computer in each said node selects a said routing message associated with a preferred said radio link using said actual radio parameter and uses said selected routing message to produce a new routing message for retransmission by said transmitting apparatus; and

said autonomous routing computers in said nodes assemble said preferred radio links into said radio communication route.

44. A system as in claim 43, wherein different said routing messages are selected for different said radio communication routes.

45. A system as in claim 44, wherein said received routing messages not used to assemble any radio communication route are deleted from said storage device.

46. A radio communications system including a plurality of individual nodes capable of distribution arbitrarily relative to each other, each said node comprising:

transmitting apparatus for transmitting radio signals to other said nodes and receiving apparatus for receiving said radio signals from other said nodes;

switching apparatus for establishing a radio link with another said node in said system;

detecting apparatus for detecting the strength of said radio signals received from said other nodes; and

an autonomous routing computer for using the strength of said radio signals received from other said nodes to select a radio link with one of said other nodes, said autonomous routing computers in said individual nodes assembling said selected radio links into a radio communication route between an originating node and a destination node,

wherein:

at least one of said nodes is a directional node including at least one of (i) directional transmitting apparatus for transmitting directional radio signals associated with respective different directions and (ii) directional receiving apparatus for associating said radio signals with respective different directions from which they are received; and

a said autonomous routing computer selects a said radio link including said directional node depending on the strength of a said radio signal received from said directional transmitting apparatus or received by said directional receiving apparatus.

47. A system as in claim 46, wherein no single said node stores said entire radio communication route.

48. A system as in claim 47, wherein:

at least some of said radio signals have associated routing messages including said strength of said radio signal;

each said node includes a storage device for storing said routing messages received from other said nodes;

said autonomous routing computer in each said node selects a said routing message associated with a preferred said radio link using said strength of said radio signal and uses said selected routing message to produce a new routing message for retransmission by said transmitting apparatus; and

said autonomous routing computers in said nodes assemble said preferred radio links into said radio communication route.

49. A system as in claim 48, wherein different said routing messages are selected for different said radio communication routes.

50. A system as in claim 49, wherein said received routing messages not used to assemble any radio communication route are deleted from said storage device.

51. A system as in claim 46, further comprising:

a first said directional node with a said directional transmitting apparatus including a plurality of directional transmitting antennas; and

a second said directional node with a said directional receiving apparatus including a plurality of directional receiving antennas,

wherein said autonomous routing computers in said first and second directional nodes select said radio links using one of said transmitting antennas and one of said receiving antennas.



17

52. A system as in claim 46, wherein:

at least some of said radio signals have associated routing messages including said strength of said radio signal; each said node includes a storage device for storing said routing messages received from other said nodes;

said autonomous routing computer in said node selects a said routing message associated with a preferred said radio link using said strength of said radio signal and uses said selected routing message to produce a new routing message for retransmission by said transmitting apparatus; and

said autonomous routing computers in said nodes assemble said preferred radio links into said radio communication route.

53. A system as in claim 52, wherein different said routing messages are selected for different said radio communication routes.

54. A system as in claim 53, wherein said received routing messages not used to assemble any radio communication route are deleted from said storage device.

55. A radio communications system including a plurality of individual nodes capable of distribution arbitrarily relative to each other, each said node comprising:

transmitting apparatus for transmitting radio signals to other said nodes and receiving apparatus for receiving said radio signals from other said nodes;

detecting apparatus for detecting the quality of said radio signals received from said other nodes;

switching apparatus for establishing a radio link with another said node in said system; and

an autonomous routing computer for using said radio signals received from other said nodes to select a radio link with one of said other nodes, said autonomous routing computers in said individual nodes assembling said selected radio links into a radio communication route between an originating node and a destination node,

wherein:

each said link of said radio communication route comprises a radio signal of a higher quality than the worst quality said radio signal comprising any said radio link within any other potential radio communication route between said originating node and said destination node;

at least one of said nodes is a directional node including at least one of (i) directional transmitting apparatus for transmitting directional radio signals associated with respective different directions and (ii) directional receiving apparatus for associating received radio signals with respective different directions from which they are received; and

a said autonomous routing computer selects a said radio link including said directional node depending on the quality of a said radio signal received from said directional transmitting apparatus or received by said directional receiving apparatus.

18

56. A system as in claim 55, wherein no single said node stores said entire radio communication node.

57. A system as in claim 56, wherein:

at least some of said radio signals have associated routing messages including said quality;

each said node includes a storage device for storing said routing messages received from other said nodes;

said autonomous routing computer in each said node selects a said routing message associated with a preferred said radio link using said quality and uses said selected routing message to produce a new routing message for retransmission by said transmitting apparatus; and

said autonomous routing computers in said nodes assemble said preferred radio links into said radio communication route.

58. A system as in claim 57, wherein different said routing messages are selected for different said radio communication routes.

59. A system as in claim 58, wherein said received routing messages not used to assemble any radio communication route are deleted from said storage device.

60. A system as in claim 55, further comprising:

a first said directional node with a said directional transmitting apparatus including a plurality of directional transmitting antennas; and

a second said directional node with a said directional receiving apparatus including a plurality of directional receiving antennas,

wherein said autonomous routing computers in said first and second directional nodes select said radio links using one of said transmitting antennas and one of said receiving antennas.

61. A system as in claim 55, wherein:

at least some of said radio signals have associated routing messages including said quality;

each said node includes a storage device for storing said routing messages received from other said nodes;

said autonomous routing computer in each said node selects a said routing message associated with a preferred said radio link using said quality and uses said selected routing message to produce a new routing message for retransmission by said transmitting apparatus; and

said autonomous routing computers in said nodes assemble said preferred radio links into said radio communication route.

62. A system as in claim 61, wherein different said routing messages are selected for different said radio communication routes.

63. A system as in claim 62, wherein said received routing messages not used to assemble any radio communication route are deleted from said storage device.

\* \* \* \* \*