



US00RE40247E

(19) **United States**
(12) **Reissued Patent**
Magee et al.

(10) **Patent Number:** **US RE40,247 E**
(45) **Date of Reissued Patent:** **Apr. 15, 2008**

(54) **ABSORBENT ARTICLE FASTENING DEVICE**

(75) Inventors: **Luke Robinson Magee**, Cincinnati, OH (US); **Mark Mason Hargett**, West Chester, OH (US); **Mark James Kline**, Okeana, OH (US)

(73) Assignee: **The Procter & Gamble Company**, Cincinnati, OH (US)

(21) Appl. No.: **10/829,482**

(22) Filed: **Apr. 21, 2004**

Related U.S. Patent Documents

Reissue of:

(64) Patent No.: **6,648,866**
Issued: **Nov. 18, 2003**
Appl. No.: **09/994,191**
Filed: **Nov. 26, 2001**

(51) **Int. Cl.**
A61F 13/15 (2006.01)
A61F 13/20 (2006.01)

(52) **U.S. Cl.** **604/385.03**; 604/389; 604/391

(58) **Field of Classification Search** 604/385.01, 604/385.03, 385.04, 385.05, 386, 387, 389, 604/390, 391, 393

See application file for complete search history.

(56) **References Cited**

U.S. PATENT DOCUMENTS

3,869,761 A 3/1975 Schaar
3,926,191 A 12/1975 Tritsch
4,209,016 A 6/1980 Schaar
4,643,730 A 2/1987 Chen et al.

4,963,140 A 10/1990 Robertson et al.
5,019,065 A 5/1991 Scripps
5,053,028 A 10/1991 Zoia et al.
5,108,384 A 4/1992 Goulait
5,599,601 A 2/1997 Polski et al.
5,605,735 A 2/1997 Zehner et al.
5,611,789 A 3/1997 Seth
5,624,428 A 4/1997 Sauer
5,725,714 A 3/1998 Fujioka et al.
5,899,895 A 5/1999 Robles et al.
5,926,926 A 7/1999 Kato
5,944,707 A 8/1999 Romn
6,045,543 A 4/2000 Pozniak et al.
6,063,466 A 5/2000 Tuschy et al.
6,142,986 A 11/2000 Lord et al.
6,174,303 B1 1/2001 Suprise et al.
6,251,097 B1 6/2001 Kline et al.
6,428,526 B1 8/2002 Heindel et al.

FOREIGN PATENT DOCUMENTS

CA 2096672 5/1992
EP 0 765 141 B1 3/1999
EP 0 756 855 B1 11/2000
EP 1 062 931 A1 12/2000
WO WO 95/29657 A1 11/1995
WO WO 99/65442 A1 12/1999
WO WO 01/43682 A1 6/2001
WO WO 01/43683 A1 6/2001

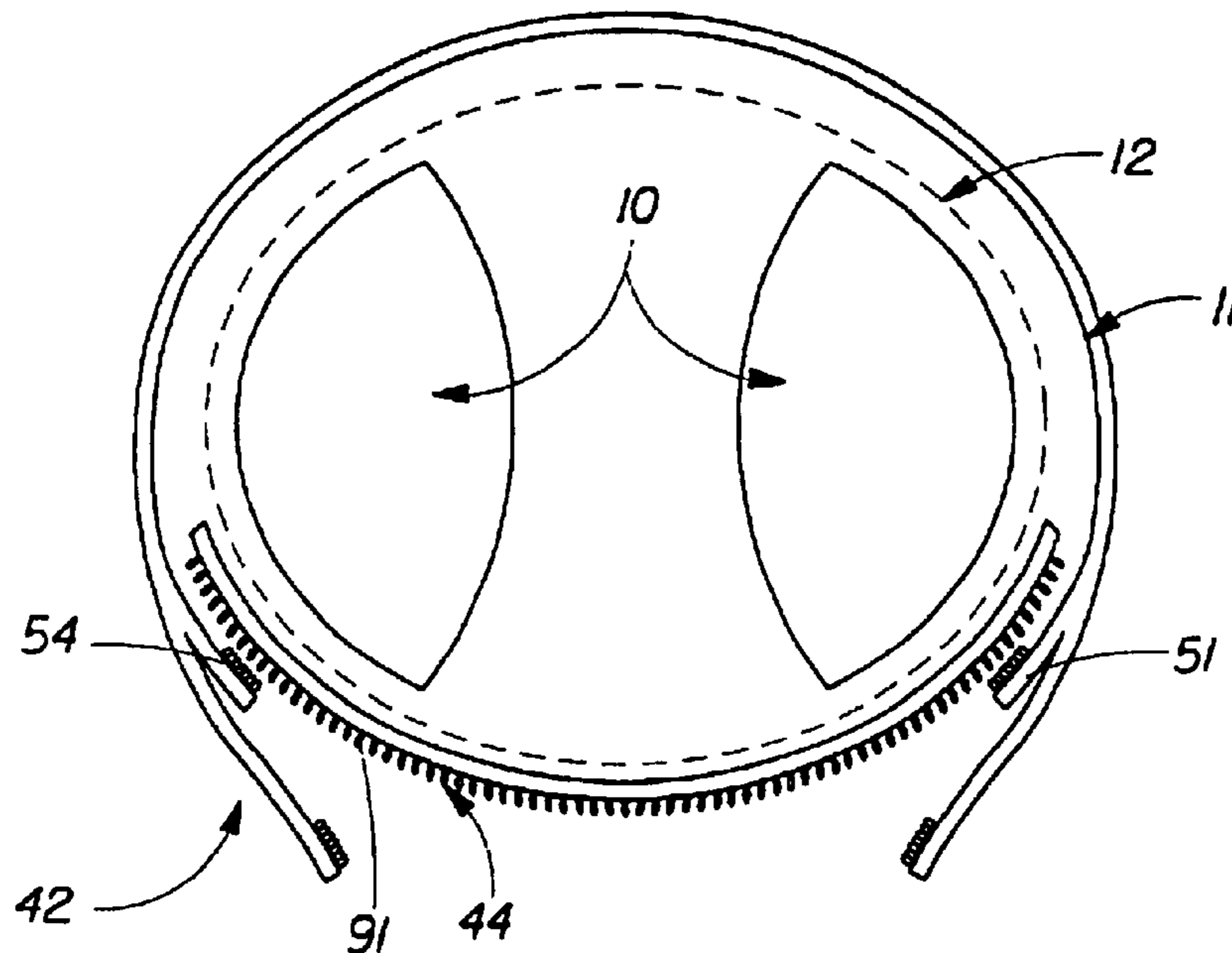
Primary Examiner—Tatyana Zalukaeva
Assistant Examiner—Michael G Bogart

(74) *Attorney, Agent, or Firm*—Jay A. Krebs; Thibault Fayette; Matthew P. Fitzpatrick

(57) **ABSTRACT**

A dual fastening device suitable for pull-up and cinch use with absorbent articles. The fastening device preferably includes a first fastening member and a second member.

48 Claims, 5 Drawing Sheets



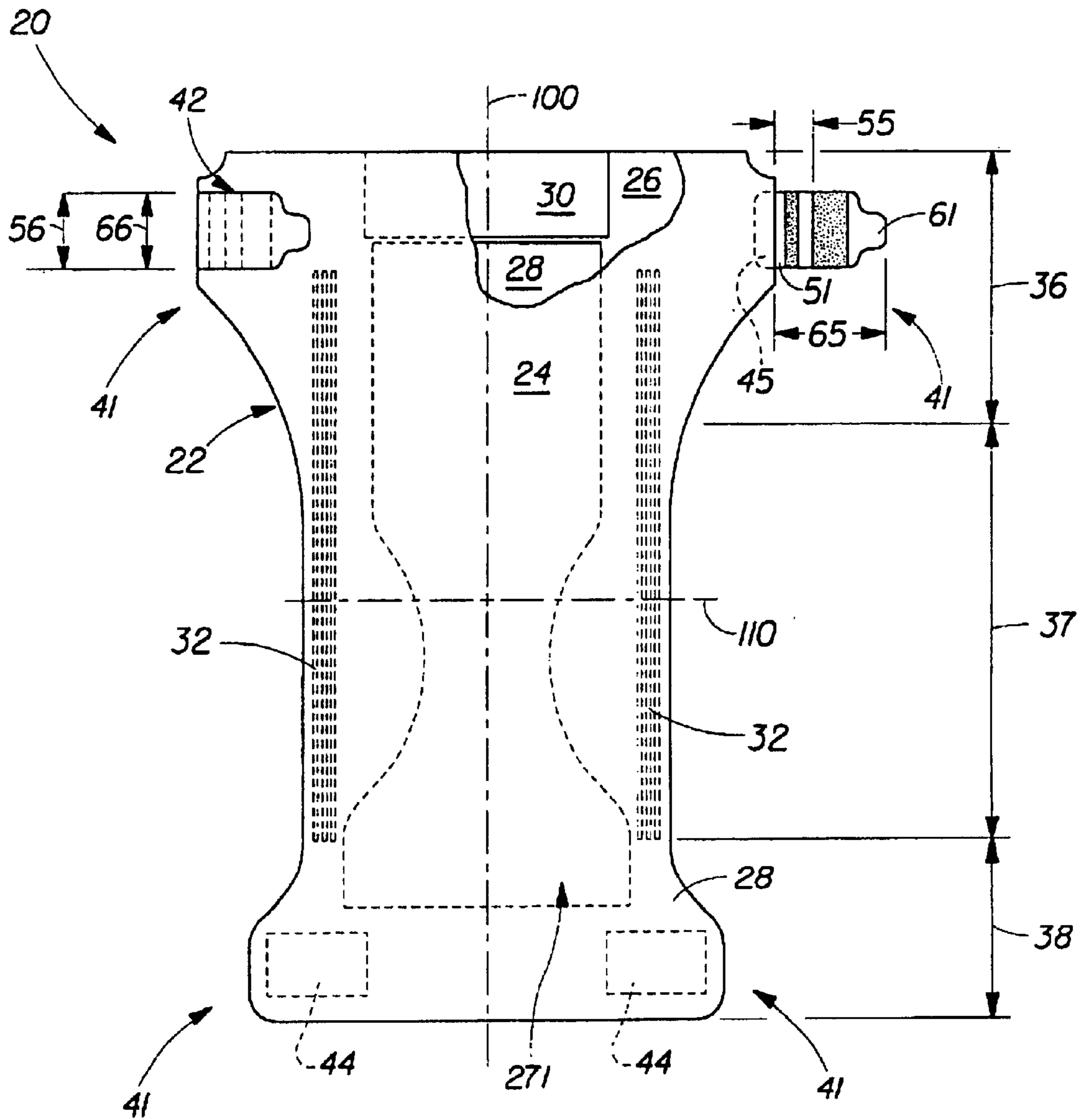


Fig. 1

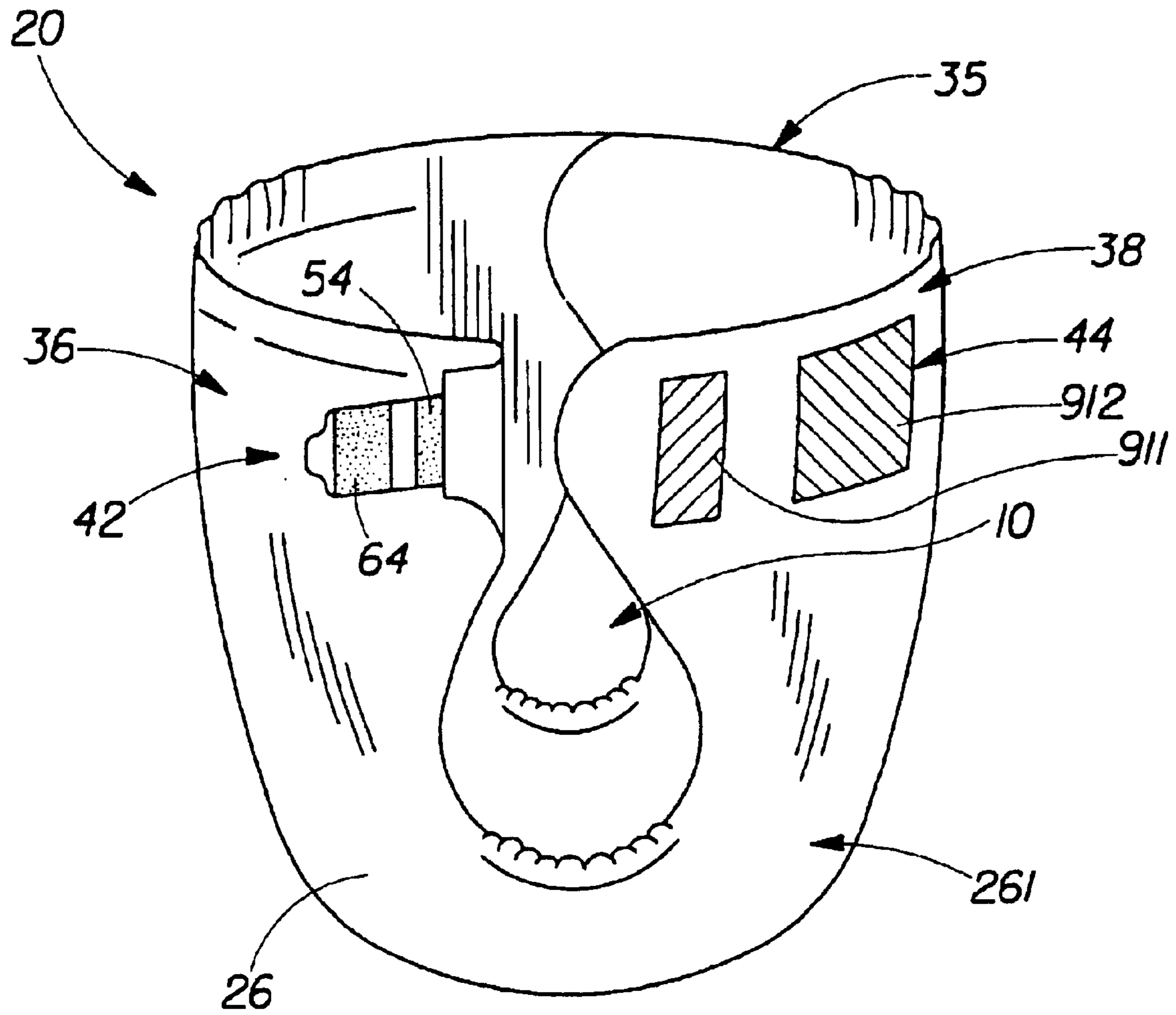


Fig. 2

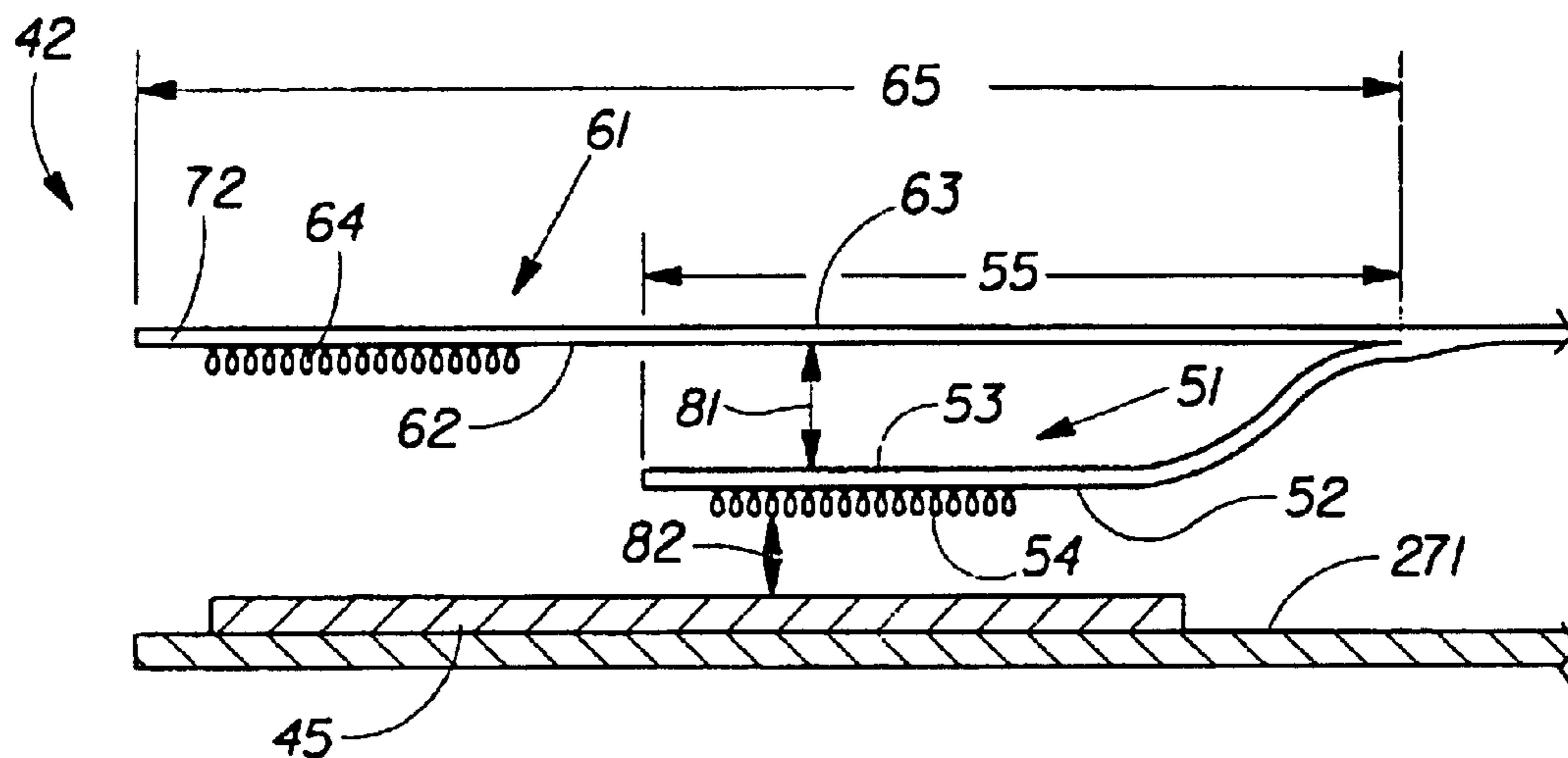


Fig. 3

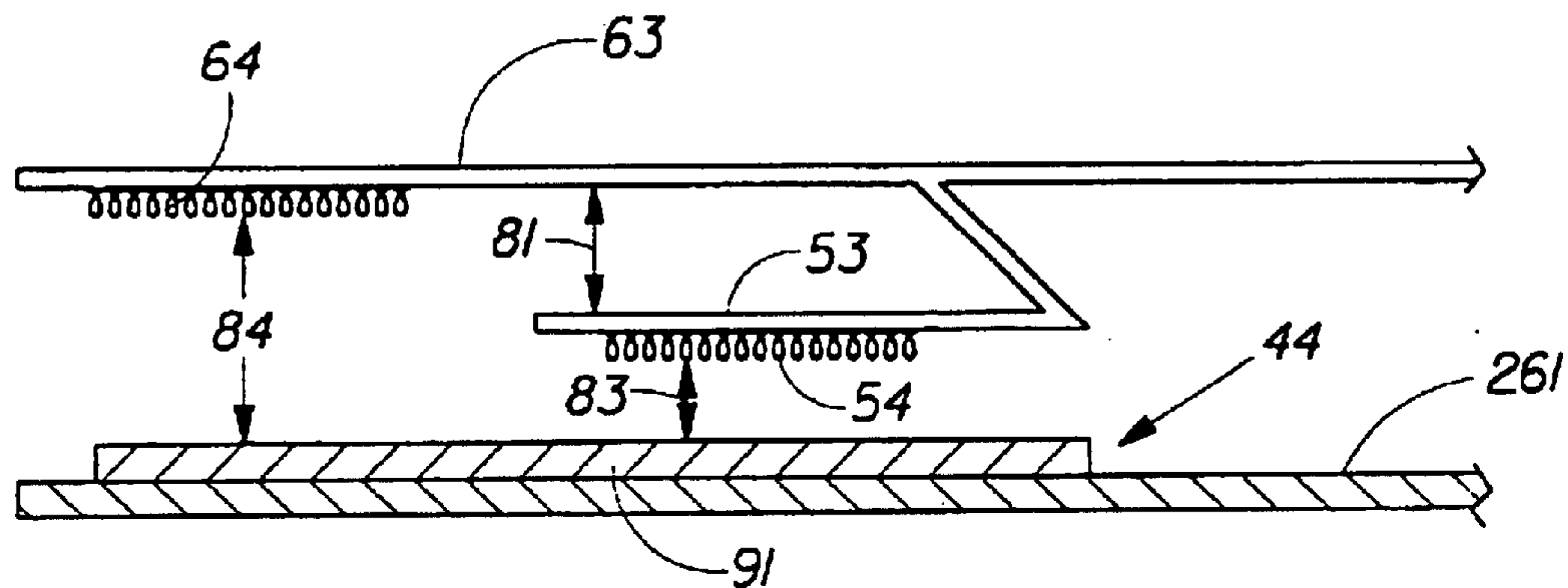


Fig. 4

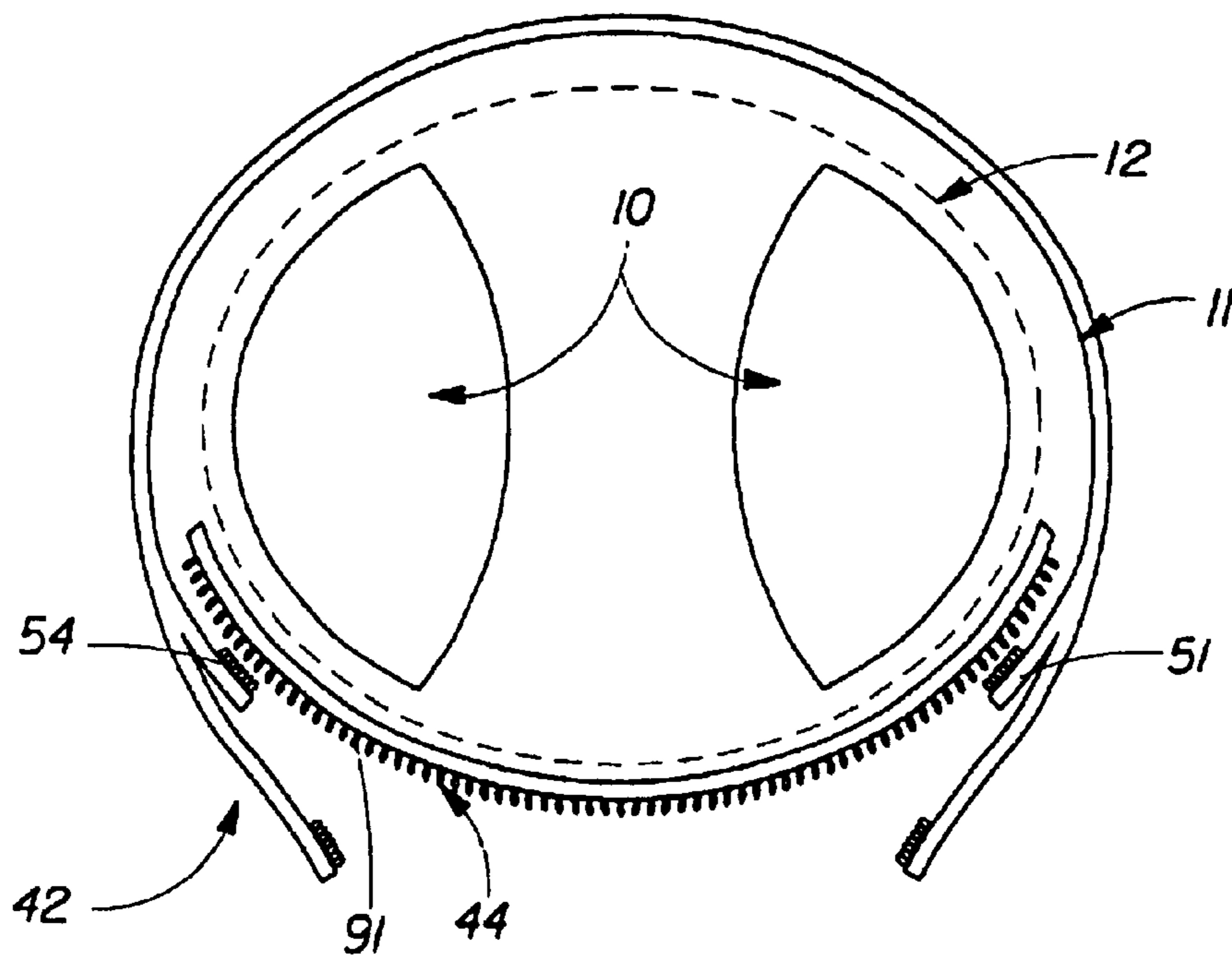


Fig. 5

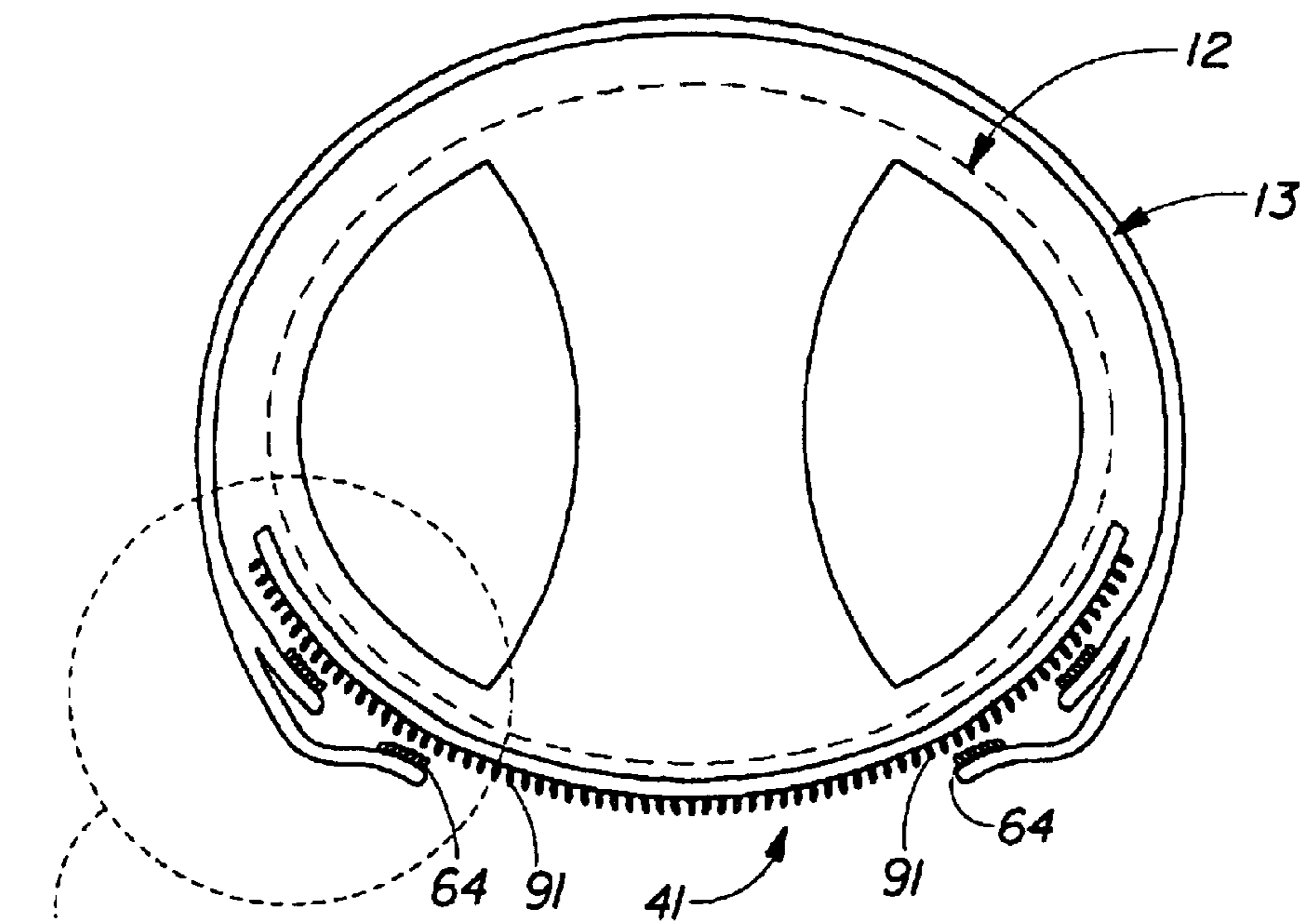


Fig. 6A

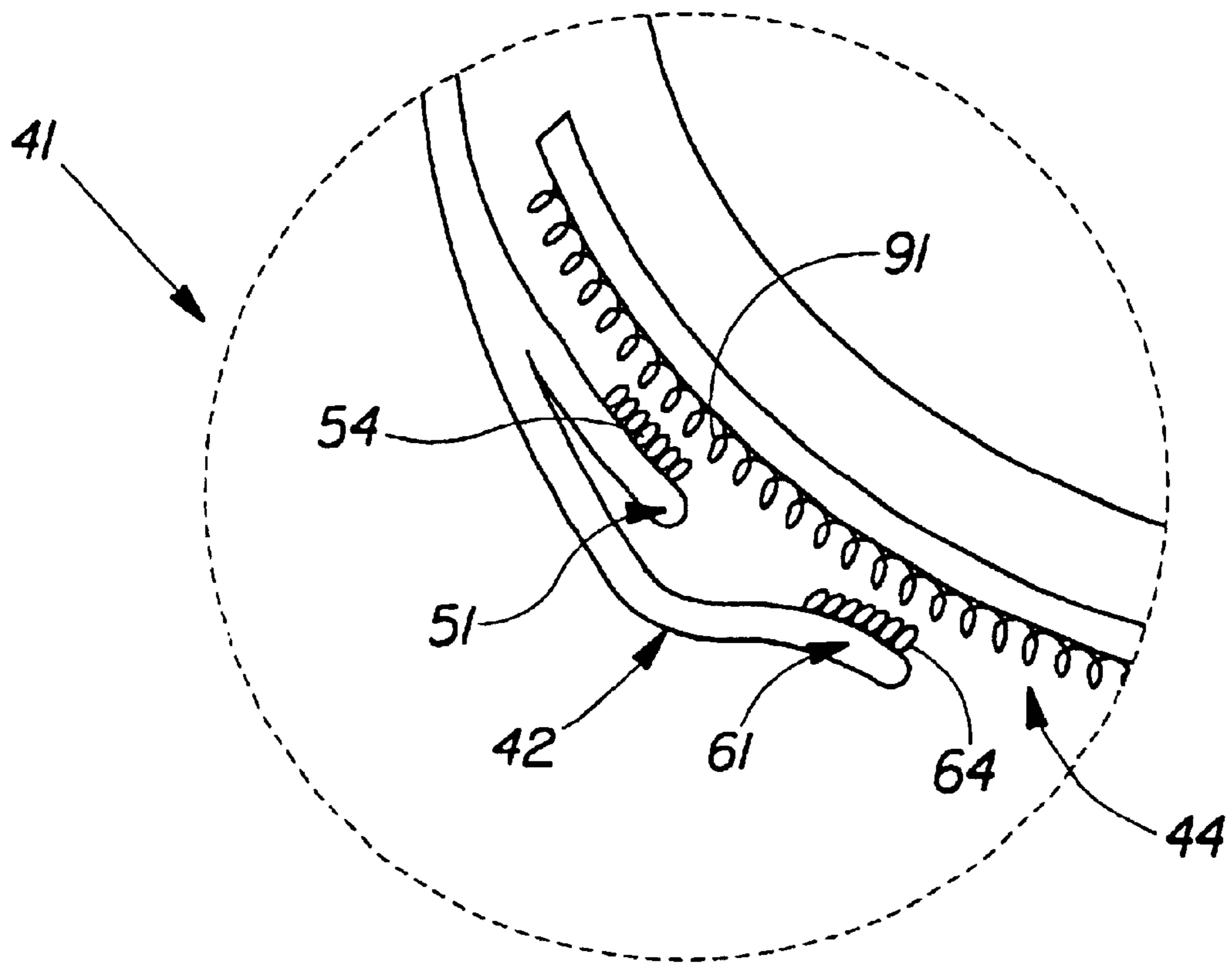


Fig. 6B

ABSORBENT ARTICLE FASTENING DEVICE

Matter enclosed in heavy brackets [] appears in the original patent but forms no part of this reissue specification; matter printed in italics indicates the additions made by reissue.

FIELD OF THE INVENTION

The present invention relates to an improved fastening device for absorbent articles such as diapers, training pants, and pull-ups. More particularly, the present invention relates to improved fasteners for joining the front of a disposable absorbent article to the rear of the article with an improved combination of application ease and fit.

BACKGROUND OF THE INVENTION

Conventional absorbent articles, such as disposable diapers and training pants have typically employed adhesive or mechanical fasteners which attach appointed waistband sections of the articles around a wearer's waist. In addition, various configurations of waist elastics, leg elastics, and elasticized outercovers have been used on absorbent articles to help produce and maintain the article about the body contours of the wearer.

Conventional absorbent articles, such as those described above, have not provided desired levels of reliable fit, and have been susceptible to excessive sagging and drooping during wearing. The articles have not adequately maintained the desired levels of fit, comfort and ease of use. Where the garment has been constructed with more aggressive fasteners to better maintain the desired fit, undesirable skin marking and/or a difficult to remove article may result. As a result, there has been a continued need for garments having more consistent fit, greater resistance to sagging and drooping, and greater ease in the application and removal of the article. Accordingly, it is an object of the present invention to provide an improved article fastening device.

SUMMARY OF THE INVENTION

An absorbent article having a first waist region, a second waist region and a crotch region. The crotch region interconnects the first waist region and second waist region. The absorbent article includes an article inner surface, an article outer surface a topsheet, a backsheet, and an absorbent core interposed between the topsheet and the backsheet and a fastening device. The fastening device joins at least a portion of the first waist region with at least a portion of the second waist region. The fastening device includes at least one first fastening member, and at least one second fastening member. The first fastening member is joined to the first waist region. The first fastening member includes at least one first tab. The first tab includes a first tab inner surface, a first tab outer surface, and a first tab fastening element on the first tab inner surface, and at least one second tab. The second tab includes a second tab inner surface, a second tab outer surface, and a second tab fastening element on the second tab inner surface. The fastening device is designed to allow an article user to hold one element of the fastening device such as the first tab, and connect the first and second waist regions in at least two places. This is achieved through manipulation of bond strengths between the fastening device elements. The fastening device includes means for providing a releasable combined tab fastening bond strength between the first tab outer surface and the second tab inner surface. A second fastening member is joined to the second waist region on the article outer surface and includes at least one

attachment landing zone. Each first tab fastening element and second tab fastening element are configured to provide an operably secure, fastening engagement with the attachment landing zone. The fastening device may include at least one stored landing zone on the article inner surface and means for providing a releasable storage fastening bond strength between the stored landing zone and the first fastening member. The releasable storage fastening bond strength may be less than the releasable combined tab fastening bond strength. The fastening device may include a means for providing a first releasable fastening bond strength between the first tab fastening element and the attachment landing zone that is stronger than the means for providing the releasable combined tab fastening bond strength. A means for providing a second releasable fastening bond strength between the second tab fastening element and the attachment landing zone may be greater than or equal to the means for providing the first releasable fastening bond strength.

BRIEF DESCRIPTION OF THE DRAWINGS

While the specification concludes with claims particularly pointing out and distinctly claiming the subject matter which is regarded as forming the present invention, it is believed that the invention will be better understood from the following description which is taken in conjunction with the accompanying drawings in which like numerical designations are used to designate substantially identical elements, and in which:

FIG. 1 is a plan view of one embodiment of an absorbent article in its flat out uncontracted state with the body-facing surface of the absorbent article facing the viewer;

FIG. 2 is a perspective view of one embodiment of the absorbent article;

FIG. 3 is an expanded and exploded apart side view of one embodiment of the fastening device and the bonds when stored;

FIG. 4 is an expanded and exploded apart side view of one embodiment of the fastening device and the bonds when fastened;

FIG. 5 is a top cross-sectional view of one embodiment of the absorbent article with the first tab fastened forming a first article circumference;

FIG. 6A is a top cross-sectional view of one embodiment of the absorbent article with the second tab fastened forming a second article circumference;

FIG. 6B is a side view of one embodiment of article fastening device.

DETAILED DESCRIPTION OF THE INVENTION

While this specification concludes with claims particularly pointing out and distinctly claiming that which is regarded as the invention, it is anticipated that the invention can be more readily understood through reading the following detailed description of the invention and studying the included drawings.

The present invention provides a pull-up and cinch dual fastener fastening system. Various aspects of the invention are herein described in terms of an absorbent article such as a diaper 20 as shown in FIG. 1. However, it is readily apparent that the present invention may also be used to fasten other wearable articles such as disposable absorbent training pants, incontinence briefs, incontinence undergarments, and any other article wherein a fastening device with the characteristics herein disclosed is desired.

Definitions

As used herein, the following terms have the following meanings:

“Absorbent article” refers to devices that absorb and contain liquid, and more specifically, refers to devices that are placed against or in proximity to the body of the wearer to absorb and contain the various exudates discharged from the body.

“Disposable” is used herein to describe articles that are generally not intended to be laundered or otherwise restored or reused (i.e., they are intended to be discarded after a single use and, preferably, to be recycled, composted or otherwise disposed of in an environmentally compatible manner).

“Disposed” is used to mean that an element(s) is formed (joined and positioned) in a particular place or position as a unitary structure with other elements or as a separate element joined to another element.

A “unitary” absorbent article refers to absorbent articles which are formed of separate parts united together to form a coordinated entity so that they do not require separate manipulative parts like a separate holder and liner.

“Diaper” refers to an absorbent article generally worn by infants and incontinent persons about the lower torso.

“Impermeable” generally refers to articles and/or elements that are not penetrative by fluid through the entire z-directional thickness of the article under pressure of 0.14 lb/in² or less. Preferably, the impermeable article or element is not penetrative by fluid under pressures of 0.5 lb/in² or less. More preferably, the impermeable article or element is not penetrative by fluid under pressures of 1.0 lb/in² or less.

“Operatively associated” refers to elements which are directly or indirectly joined together so as to function generally as a single element.

“Attached” or “Joined” encompasses configurations whereby an element is directly secured to another element by affixing the element directly to the other element, and configurations whereby an element is indirectly secured to another element by affixing the element to intermediate member(s) which in turn are affixed to the other element.

“Directly joined” refers to elements which are joined to each other without any intermediate elements joined therebetween, except for the means joining the elements (e.g. the adhesive).

“Indirectly joined” refers to elements joined with each other by means of an element or elements other than the joining means.

“Target circumference” is the circumference of a wearer’s waist at the location where the article is designed to be applied about the wearer and secured during use.

“Comprise,” “comprising,” and “comprises” is an open ended term that specifies the presence of what follows e.g. a component but does not preclude the presence of other features, elements, steps or components known in the art, or disclosed herein.

“Engagement” refers to the process by which two fastening elements are fastened.

“Releasable bond” refers to a potentially temporary connection between two or more article components that may be separated during the use of the article.

“Bond strength” or “release load” refers to the minimum amount of force necessary to separate a releasable bond in a time period and fashion consistent with normal use of the article.

“Fastened” refers to the proper connection or attachment of two fastening elements in a fashion consistent with that expected during normal use of the article.

FIG. 1 is a plan view of fastening device **41** attached to a diaper **20** in its flat out, uncontracted state (i.e., without elastic induced contraction). Portions of the structure are cut away to more clearly show the underlying structure of the diaper **20**. The portion of the diaper **20** that contacts a wearer is facing the viewer. The diaper **20** may include a longitudinal axis **100** and a transverse axis **110**. One end portion of the diaper **20** is configured as a first waist region **36** of the diaper **20**. The opposite end portion is configured as a second waist region **38** of the diaper **20**. An intermediate portion of the diaper **20** is configured as a crotch region **37**, which extends longitudinally between the first and second waist regions **36** and **38**. The waist regions **36** and **38** may include elastic elements such that they gather about the waist of the wearer to provide improved fit and containment. The crotch region **37** is that portion of the diaper **20** which, when the diaper **20** is worn, is generally positioned between the wearer’s legs.

The chassis **22** of the diaper **20** in FIG. 1 comprises the main body of the diaper **20**. The chassis **22** comprises an outer covering including a liquid pervious topsheet **24** and/or a liquid impervious backsheet **26**. The chassis may include a portion of an absorbent core **28** encased between the topsheet **24** and the backsheet **26**. The chassis may also include most or all of the absorbent core **28** encased between the topsheet **24** and the backsheet **26**. For unitary absorbent articles, the chassis **22** comprises the main structure of the diaper with other features added to form the composite diaper structure. While the topsheet **24**, the backsheet **26**, and the absorbent core **28** may be assembled in a variety of well-known configurations, preferred diaper configurations are described generally in U.S. Pat. No. 3,860,003 entitled “Contractible Side Portions for Disposable Diaper” issued to Kenneth B. Buell on Jan. 14, 1975; U.S. Pat. No. 5,151,092 entitled “Absorbent Article with Dynamic Elastic Waist Feature Having a Predisposed Resilient Flexural Hinge” issued to Buell on Sep. 9, 1992; and U.S. Pat. No. 5,221,274 entitled “Absorbent Article with Dynamic Elastic Waist Feature Having a Predisposed Resilient Flexural Hinge” issued to Buell on Jun. 22, 1993; and U.S. Pat. No. 5,554,145 entitled “Absorbent Article With Multiple Zone Structural Elastic-Like Film Web Extensible Waist Feature” issued to Roe et al. on Sep. 10, 1996; U.S. Pat. No. 5,569,234 entitled “Disposable Pull-On Pant” issued to Buell et al., on Oct. 29, 1996; U.S. Pat. No. 5,580,411 entitled “Zero Scrap Method For Manufacturing Side Panels For Absorbent Articles” issued to Nease, et al. on Dec. 3, 1996; and U.S. Pat. No. 6,004,306 entitled “Absorbent Article With Multi-Directional Extensible Side Panels” issued to Robles et al. on Dec. 21, 1999; each of which is incorporated herein by reference.

The topsheet **24** in FIG. 1 may be fully or partially elasticized or may be foreshortened to provide a void space between the topsheet **24** and the absorbent core **28**. Exemplary structures including elasticized or foreshortened topsheets are described in more detail in U.S. Pat. No. 4,892,536 entitled “Absorbent Article Having Elastic Strands” issued to DesMarais et al. on Jan. 9, 1990; U.S. Pat. No. 4,990,147 entitled “Absorbent Article with Elastic Liner for Waste Material Isolation” issued to Freeland on Feb. 5, 1991; U.S. Pat. No. 5,037,416 entitled “Disposable Absorbent Article Having Elastically Extensible Topsheet” issued to Allen et al. on Aug. 6, 1991; and U.S. Pat. No. 5,269,775 entitled “Trisection Topsheets for Disposable Absorbent

Articles and Disposable Absorbent Articles Having Such Trisection Topsheets" issued to Freeland et al. on Dec. 14, 1993; each of which is herein incorporated by reference.

The absorbent core **28** in FIG. **1** generally is disposed between the topsheet **24** and the backsheet **26**. The absorbent core **28** may comprise any absorbent material that is generally compressible, conformable, non-irritating to the wearer's skin, and capable of absorbing and retaining liquids such as urine and other certain body exudates. The absorbent core **28** may comprise a wide variety of liquid-absorbent materials commonly used in disposable diapers and other absorbent articles such as comminuted wood pulp, which is generally referred to as air felt. Examples of other suitable absorbent materials include creped cellulose wadding; melt blown polymers, including co-form; chemically stiffened, modified or cross-linked cellulosic fibers; tissue, including tissue wraps and tissue laminates; absorbent foams; absorbent sponges; superabsorbent polymers; absorbent gelling materials; or any other known absorbent material or combinations of materials.

Exemplary absorbent structures for use as the absorbent assemblies are described in U.S. Pat. No. 4,610,678 entitled "High-Density Absorbent Structures" issued to Weisman et al. on Sep. 9, 1986; U.S. Pat. No. 4,673,402 entitled "Absorbent Articles With Dual-Layered Cores" issued to Weisman et al. on Jun. 16, 1987; U.S. Pat. No. 4,834,735, entitled "High Density Absorbent Members Having Lower Density and Lower Basis Weight Acquisition Zones", issued to Alemany et al. on May 30, 1989; U.S. Pat. No. 4,888,231 entitled "Absorbent Core Having A Dusting Layer" issued to Angstadt on Dec. 19, 1989; U.S. Pat. No. 5,137,537 entitled "Absorbent Structure Containing Individualized, Polycarboxylic Acid Crosslinked Wood Pulp Cellulose Fibers" which issued to Herron et al. on Aug. 11, 1992; U.S. Pat. No. 5,147,345 entitled "High Efficiency Absorbent Articles For Incontinence Management" issued to Young et al. on Sep. 15, 1992; U.S. Pat. No. 5,342,338 entitled "Disposable Absorbent Article For Low-Viscosity Fecal Material" issued to Roe on Aug. 30, 1994; U.S. Pat. No. 5,260,345 entitled "Absorbent Foam Materials For Aqueous Body Fluids and Absorbent Articles Containing Such Materials" issued to DesMarais et al. on Nov. 9, 1993; U.S. Pat. No. 5,387,207 entitled "Thin-Until-Wet Absorbent Foam Materials For Aqueous Body Fluids And Process For Making Same" issued to Dyer et al. on Feb. 7, 1995; U.S. Pat. No. 5,397,316 entitled "Slitted Absorbent Members For Aqueous Body Fluids Formed Of Expandable Absorbent Materials" issued to LaVon et al. on Mar. 14, 1995; and U.S. Pat. No. 5,625,222 entitled "Absorbent Foam Materials For Aqueous Fluids Made From high Internal Phase Emulsions Having Very High Water-To-Oil Ratios" issued to DesMarais et al. on Jul. 22, 1997. Each of these patents is incorporated herein by reference.

The backsheet **26** in FIG. **1** is generally the portion of the diaper **20** positioned with the absorbent core **28** between the backsheet **26** and the topsheet **24**. The backsheet **26** may be joined with the topsheet **24**. The backsheet **26** prevents the exudates absorbed by the absorbent core **28** and contained within the article **20** from soiling other external articles that may contact the diaper **20**, such as bed sheets and undergarments. In preferred embodiments, the backsheet **26** is substantially impervious to liquids (e.g., urine) and comprises a laminate of a nonwoven and a thin plastic film such as a thermoplastic film having a thickness of about 0.012 mm (0.5 mil) to about 0.051 mm (2.0 mils). Suitable backsheet films include those manufactured by Tredegar Industries Inc. of Terre Haute, Ind. and sold under the trade

names X15306, X10962, and X10964. Other suitable backsheet materials may include breathable materials that permit vapors to escape from the diaper **20** while still preventing exudates from passing through the backsheet **26**. Exemplary breathable materials may include materials such as woven webs, nonwoven webs, composite materials such as film-coated nonwoven webs, and microporous films such as manufactured by Mitsui Toatsu Co., of Japan under the designation ESPOIR NO and by EXXON Chemical Co., of Bay City, Tex., under the designation EXXAIRE. Suitable breathable composite materials comprising polymer blends are available from Clopay Corporation, Cincinnati, Ohio under the name HYTREL blend P18-3097. Such breathable composite materials are described in greater detail in PCT Application No. WO 95/16746, published on Jun. 22, 1995 in the name of E. I. DuPont and copending U.S. patent application Ser. No. 08/744,487, filed on Nov. 6, 1996 in the name of Curro. Other breathable backsheets including nonwoven webs and apertured formed films are described in U.S. Pat. No. 5,571,096 issued to Dobrin et al. on Nov. 5, 1996. Each of these references are herein incorporated by reference.

The diaper **20** may also include such other features as are known in the art including leg cuffs, front and rear ear panels, waist cap features, elastics and the like to provide better fit, containment and aesthetic characteristics. Such additional features are well known in the art and are described in U.S. Pat. No. 3,860,003; and U.S. Pat. No. 5,151,092, which are incorporated by reference herein.

In addition, the present invention may be suitable for other diaper embodiments including those disclosed in U.S. Pat. No. 6,010,491 entitled "Viscous Fluid Bodily Waste Management Article" issued Jan. 4, 2000; U.S. Pat. No. 5,873,870 entitled "Fit And Sustained Fit Of A Diaper Via Chassis And Core Modifications" issued Feb. 23, 1999; U.S. Pat. No. 5,897,545 entitled "Elastomeric Side Panel for Use with Convertible Absorbent Articles" issued Apr. 27, 1999; U.S. Pat. No. 5,904,673 entitled "Absorbent Article With Structural Elastic-Like Film Web Waist Belt" issued May 18, 1999; U.S. Pat. No. 5,931,827 entitled "Disposable Pull On Pant" issued Aug. 3, 1999; U.S. Pat. No. 5,977,430 entitled "Absorbent Article With Macro-Particulate Storage Structure" issued Nov. 2, 1999 and U.S. Pat. No. 6,004,306 entitled "Absorbent Article With Multi-Directional Extensible Side Panels" issued Dec. 21, 1999, the disclosures of which are incorporated herein by reference.

In order to keep the diaper **20** in place about the wearer, at least a portion of the first waist region **36** is attached by the fastening device **41** to at least a portion of the second waist region **38**, preferably to form leg opening(s) **10** and an article waist **35** as shown in FIG. **2**. When fastened, the fastening device **41** carries a tensile load around the article waist **35**. The fastening device is designed to allow an article user to hold one element of the fastening device such as the first tab, and connect the first waist region **36** to the second waist region **38** in at least two places. This is achieved through manipulation of bond strengths between the fastening device elements.

As shown in FIG. **1**, the fastening device **41** may include at least one first fastening member **42**, at least one stored landing zone **45**, and at least one second fastening member **44**. The fastening device **41** and any component thereof may include any material suitable for such a use, including but not limited to plastics, films, foams, nonwoven webs, woven webs, paper, laminates, fiber reinforced plastics and the like, or combinations thereof. It may be preferable that the materials making up the fastening device be flexible. The

flexibility is designed to allow the fastening device **41** to conform to the shape of the body and thus, reduces the likelihood that the fastening device **41** will irritate or injure the wearer's skin.

FIG. **2** is a perspective view of the absorbent article **20** as a diaper. The article **20** is presented in a contour similar to that presented when the article **20** is worn. The backsheet **26** forms an article outer surface **261**. The first waist region **36** and second waist region **38** generally comprise those portions of the diaper **20** which, when worn about a wearer's waist, encircles the waist of the wearer to form an article waist **35** and leg openings **10**. In the foreground, FIG. **2** shows the fastening member **42** separated from the optional stored location and prior to attachment to the second fastening member **44**. FIG. **2** also shows the second fastening member **44** comprising two visible components. A first attachment landing zone **911** designed to fasten with the first tab fastening element **54** and a second attachment landing zone **912** designed to fasten with the second tab fastening element **64**. Alternatively, the first tab fastening element **54** may be fastened to the second attachment landing zone **912** along with, or in stead of, the second tab fastening element **64**.

The first fastening member **42** is designed to be joined to the first waist region **36** as shown in FIG. **1**. The first fastening member **42** may be joined, operably connected, or attached to the first waist region **36** in any fashion known in the art. The first fastening member **42** may be of any size and/or shape and may be made from any suitable material. The first fastening member **42** may optionally form an extension from the first waist region **36** in the traverse axis **110** direction. Any portion of the first fastening member **42** may be elastic, inelastic, extensible, or non-extensible. Preferably, the direction of elasticity or extensibility is in the traverse axis **110** directions. The first fastening member **42** may be composed of any suitable materials known in the art. For example, the first fastening member **42** material may be composed of a film or a nonwoven including a spunbonded nonwoven fabric, a spunbond-meltblown-spunbond fabric, a neck-bonded-laminate fabric material, a stretch-bonded-laminate fabric material or the like, as well as combinations thereof as know to those skilled in the art. The first fastening member **42** may include at least one first tab **51** and at least one second tab **61**.

The first fastening member **42** is shown on the left side of FIG. **1** in a stored position. The first fastening member **42** is shown on the right side of FIG. **1** is not stored and extended outward in the transverse **110** direction. The first fastening member **42** is preferably stored for shipping and storage. The storage design configuration is designed to decrease storage space requirements and protect the fastening device from inadvertent damage. A first tab width **66** and a second tab width **56** are shown in FIG. **1**.

FIG. **3** is an exploded side view of the first fastening member **42** when in a stored condition. The elements of the first fastening member **42** are depicted in FIG. **3** with exaggerated separation to better identify the referenced elements. As shown in FIG. **3**, the first tab **51** includes a first tab inner surface **52**, a first tab outer surface **53**, a first tab fastening element **54**, and a first tab length **55**. The first tab outer surface **53** is the side opposite the first tab inner surface **52** and is generally the side away from the viewer in FIG. **1**. The first tab inner surface **52** corresponds to the surface facing the viewer in FIG. **1** and generally corresponds to the article inner surface **271**. A side view of the surfaces is shown in FIG. **3**. The first tab fastening element **54** is joined to the first tab inner surface **52** as shown in FIG. **3**. The first

tab fastening element **54** may include any fastening element known in the art including adhesives, cohesives, hook materials, loop materials, snaps, buttons, tabs, slots, magnets and combinations thereof. The first tab fastening element **54** may have any shape such as a circle, square, rectangle or triangle.

As shown in FIG. **3**, the second tab **61** includes a second tab inner surface **62**, a second tab outer surface **63**, a second tab fastening element **64**, and a second tab length **65**. The second tab inner surface **62** corresponds to the surface facing the viewer in FIG. **1**, a portion of which can be seen in FIG. **1**, outward along the traverse axis **110** from the first tab **51**. In FIG. **1** and in FIG. **2**, the unstored first fastening member **42** has at least a portion of the remaining second tab inner surface **52** disposed under the first tab **51**. The second tab outer surface **63** is the side opposite the second tab inner surface **62** and is generally the side away from the viewer in FIG. **1** and is shown in FIG. **3**. The second tab fastening element **64** is joined to the second tab inner surface **62** as shown in FIG. **3**. The second tab fastening element **64** may include any fastening element known in the art including adhesives, cohesives, hook materials, loop materials, snaps, buttons, tabs, slots, magnets and combinations thereof. The second fastening element **64** may have any shape such as a circle, square, rectangle or triangle.

The first tab **51** and the second tab **61** may be located anywhere in the first waist region **36**. The first tab **51** may be preferably located directly under of the second tab **61** such that the first tab outer surface **53** faces the second tab inner surface **62** as shown in FIG. **3**. A side view of this arrangement is shown in FIG. **3**. The first tab length **55** and the second tab **65** are measured outward along the traverse axis from the same starting point. The starting point may be any location. One starting point may be the traverse outer most point of the backsheet **26** where the tabs begin as shown in FIG. **1**. The first tab length **55** may be longer, shorter, or equal to the second tab length **65**. Preferably, the first tab length **55** is shorter than the second tab length **65**. A shorter first tab length **55** may facilitate manufacturing and/or user manipulation of the first fastening member **42**.

As shown in FIG. **1**, the fastening device **41** may include at least one stored landing zone **45**. The stored landing zone **45** is used to secure the first fastening member **42** in a pre use, stored location. The stored landing zone **45** may be located on the article inner surface **271**, or article outer surface **261** (see FIG. **2**). Preferably, the stored landing zone **45** is located in the same waist region as the first fastening member **42**. Also preferably, the stored landing zone **45** is located on the article inner surface **271** in the first waist region **36** inboard of the first fastening member **42** along the traverse axis **110** as shown in FIG. **1**. The stored landing zone **45** may include plastics, adhesives, cohesives, hook materials, loop materials, snaps, buttons, tabs, slots, magnets and combinations thereof as are know to those skilled in the art. The stored landing zone **45** may have any shape such as a circle, square, rectangle or triangle.

FIG. **3** shows the first fastening member **42** in an exploded side view when in a stored, pre-use condition. The exaggerated separation of the elements allows a visual representation of the releasable bonds between the various components. The bonds are designed to be strong enough to function as desired, but weak enough so that a user may break them and separate the elements at various points in the use of the article. The releasable bond strengths between these components are designed to have a preferred relationship that assists in the use of the fastening device **41**. The releasable bond strengths desired may be provided by several means.

A releasable tab to tab bond **81** is designed to act between the first tab **51** and the second tab **61**. The releasable tab to tab bond **81** may be located anywhere on the first tab **51**, the second tab **61**, or both. As shown in FIG. 3, the releasable tab to tab bond **81** is located on the second tab inner surface **62** and first tab outer surface **53**. Alternatively, at least a portion of the releasable tab to tab bond **81** may be on the first tab outer surface **53**, the second tab fastening element **64**, or both. The releasable tab to tab bond **81** may be created by adhesives, cohesives, hook materials, loop materials, snaps, buttons, tabs, slots, magnets and combinations thereof as are known to those skilled in the art. The tab to tab bond **81** may also be a mechanical bond such as bonds created by ultrasonic, pressure, or thermal energy. The releasable tab to tab bond **81** may have any shape such as a circle, square, rectangle, or triangle.

The releasable tab to tab bond **81** has a release load which is the load required to release the releasable tab to tab bond **81**, allowing the first tab **51** and the second tab **61** to separate. The release load may also be referred to as bond strength. The separation is designed to occur between the first tab outer surface **53** and the second tab inner surface **61**. Generally, the release load should be measured relative to how the fastening device **41** will normally be used and released. This would suggest that the release load should be measured as a peel load at any angle out of the plane of the article inner surface **271**. The peel load should be measured only once on the first release of the tab to tab bond release load since the releasable tab to tab bond **81** may be designed to have the strongest release load during the first release.

A releasable storage fastening bond **82** is designed to act between the stored landing zone **45** and the first fastening member **42**. The releasable storage fastening bond **82** may act between the stored landing zone **45** and the first tab fastening element **54** as shown in FIG. 3. The releasable storage fastening bond **82** may also be created between the stored landing zone **45** and the first tab inner surface **52**, first tab fastening element **54**, second tab inner surface **62**, second tab fastening element **64**, or a combination thereof. The releasable storage fastening bond **82** may be created by adhesives, cohesives, hook materials, loop materials, snaps, buttons, tabs, slots, magnets and combinations thereof. The releasable storage fastening bond **82** may also be a mechanical bond such as bonds created by ultrasonic, pressure, or thermal energy. The releasable storage fastening bond **82** may have any shape such as a circle, square, rectangle, or triangle.

The releasable storage fastening bond **82** includes a release load which is the load required to release the first fastening member **42** from the stored landing zone **45**. Preferably, the releasable storage fastening bond release load is greater than about 50 grams force (gf). A releasable storage fastening bond release load greater than about 50 gf is designed to help maintain the first fastening member **42** in position during manufacturing, packaging, and prior to use by the consumer. Generally, the releasable storage fastening bond release load should be less than the releasable tab to tab bond release load. Thus, when the first fastening member **42** is lifted from the storage landing zone **45**, the first tab **51** and second tab **61** may be lifted together with the releasable tab to tab bond **81** intact. Releasably bonding the first tab **51** and the second tab **61** together such that they remain connected at this point in the article application process is designed to improve the ease of use of the fastening device **41** in general and specifically the use of the first tab **51**.

To assist the user's gripping of the first fastening member **42** during the fastening process, the first fastening member

42 may comprise a gripping means **72** as shown in FIG. 1, and FIG. 3. The gripping means **72** may be joined anywhere on the first fastening member **42**. Preferably, the gripping means **72** may be joined to the second tab **61**. The gripping means **72** may include any means known in the art. Suitable examples include a small extension of easily liftable material not bonded to the stored landing zone **45**. Another suitable example includes an adhesive or tacky material on the second tab outer surface **63**. Any adhesive or tacky material known in the art may be acceptable.

As shown in FIG. 1, the fastening device may include a second fastening member **44**. The second fastening member **44** is designed to be joined to the second waist region **38**. As shown in FIG. 4, the second fastening member **44** is designed to be located on the article outer surface **261** and may include at least one attachment landing zone **91**. Embodiments are contemplated wherein the second fastening member **44** and the attachment landing zone **91** are equivalent and functionally indistinguishable. In one embodiment, the second fastening member **44** may be the backsheet **26**. The attachment landing zone **91** is the location or locations, on the second fastening member **44** where the first tab fastening element **54** and second tab fastening element **64** attach. The first tab fastening element **54** and second tab fastening element **64** are configured to provide an operably secure, fastening engagement with the attachment landing zone **91**. The second fastening member **44** is designed to be the preferred attachment point for the first fastening member **42** to join at least a portion of the first waist region **36** with at least a portion of the second waist region **38** as shown in FIGS. 2, 5, 6A and 6B. The attachment landing zone **91** may include any fastening element known in the art including, plastics, adhesives, cohesives, hook materials, loop materials, snaps, buttons, tabs, slots, magnets and combinations thereof as are known to those skilled in the art. The attachment landing zone **91** designed to be fastened with the first tab fastening element **54**, may comprise a different loop material than the attachment landing zone **91** designed to be fastened with the second tab fastening element **64**. The attachment landing zone **91** may have any shape such as a circle, square, rectangle or triangle. The attachment landing zone **91** may also be located in two or more locations on the second waist region.

The first tab **51** and second fastening member **44** are designed to be fastened together by the user. Preferably, the first tab fastening element **54** and the attachment landing zone **91** are fastened as shown in FIG. 4 with a releasable bond. FIG. 4 shows the first fastening member **42** in an exploded side view when in a deployed position relative to the second fastening member **44**. The exaggerated separation of the elements allows a visual representation of the various components in a fastened orientation. The releasable bonds are designed to be strong enough to function as desired, but weak enough so that a user may break them and separate the elements at various points in the use of the article. The releasable bonds have a release load between these components designed to have a preferred relationship that assists in the use of the fastening device **41**. When the first tab fastening element **54** and the attachment landing zone **91** are fastened, a first releasable fastening bond **83** between the first tab fastening element **54** and the attachment landing zone **91** is created as shown in FIG. 4. The first releasable fastening bond **83** may be created by adhesives, cohesives, hook materials, loop materials, snaps, buttons, tabs, slots, magnets and combinations thereof. The first releasable fastening bond **83** may also be a mechanical bond such as bonds created by ultrasonic, pressure, or thermal

11

energy. The first releasable fastening bond **83** may have any shape such as a circle, square, rectangle, or triangle.

The first releasable fastening bond **83** has a release load which is the load required to release the first releasable fastening bond **83**, allowing the first tab fastening element **54** and attachment landing zone **91** to separate. Preferably, the first releasable fastening bond release load is greater than the releasable tab to tab bond release load. The stronger first releasable fastening bond release load is designed to allow the first tab **51** and second tab **61** to be separated without disengaging the first tab **51** from the attachment landing zone **91**.

After the first tab **51** and the attachment landing zone **91** are fastened, the user may fasten the second tab fastening element **64** and the attachment landing zone **91** creating a second releasable fastening bond **84**. The second releasable fastening bond **84** may be created from adhesives, cohesives, hook materials, loop materials, snaps, buttons, tabs, slots, magnets and combinations thereof. The second releasable fastening bond **84** may have any shape such as a circle, square, rectangle or triangle.

The second releasable fastening bond **84** has a release load which is the load required to release the second releasable fastening bond **84**, allowing the second tab fastening element **54** and attachment landing zone **91** to separate. In one embodiment, the second releasable fastening bond release load is greater than or equal to the first releasable fastening bond release load. A stronger second releasable fastening bond release load may help maintain the article **20** in the desired position on the wearer during use. The first tab fastening element **54** and the attachment landing zone **91** may also remain attached after the second tab fastening element **64** and the attachment landing zone **91** are fastened. Alternatively, the first tab fastening element **54** and the attachment landing zone **91** may release and disengage at any time after the second tab fastening element **64** and the attachment landing zone **91** are fastened.

In one example of the present invention a suitable bond relationship may be created using KN1543 release tape, supplied by 3M Inc., of St Paul, Minn. as the first tab **51** and KN1770 fastening tape, supplied by 3M of St. Paul, Minn. as the second tab **61**. The release surface of KN1543 releasably bonds to the adhesive surface of KN1770 to form the releasable tab to tab bond **81**. Hook material 960E supplied by Aplix U.S., of Charlotte, N.C. may be used as the hook material for the first tab fastening element **54** and second tab fastening element **64**. 3M loop material XPL00008 may be used as the second fastening member **44**. Aplix hook material 960E and the adhesive surface of KN1543 releasably bond to the stored landing zone **45** to form the releasable storage fastening bond **82**.

During the application of the product about the wearer, the first fastening member **42** may be separated from the stored landing zone **45**, as shown on the right side of FIG. 1 and in FIG. 2. The user may then choose any of several means of applying the article **20** to a wearer. One means for applying the article **20** may include placing the article **20**, unfastened in the desired wearer waist location and securing the article **20** in place with the second tab fastening element **64** without releasing the releasable tab to tab bond **81**. Alternatively, the user may place the article **20** in approximately the desired wearer waist location and attach the first fastening element **54** to the attachment landing zone **91**. The user may then refine the article **20** position as desired and cinch the article **20** securely in the desired wearer waist location by fastening the second tab fastening element **64** to the attachment

12

landing zone **91**. The desired wearer waist location is generally within about 25 centimeters above or below the wearer's hips and about their waist. More preferably, the desired wearer waist location is generally within about 10 centimeters above or below the wearer's hips and about their waist. Also alternatively, the user may attach the first fastening element **54** to the attachment landing zone **91** about the wearer's legs creating one or more leg openings **10** as shown in FIG. 2. The user may then use the article **20** as a typical pull-up. Once the article **20** is in the desired location about the wearer's waist, it may then be secured in place by fastening the second tab fastening element **64** to the attachment landing zone **91**.

The article may also be delivered to the user with at least one first tab fastening element **54** prefastened to the attachment landing zone **91** forming at least one leg opening **10** as shown in FIG. 5. The first tab fastening element **54** may be releasably prefastened to the attachment landing zone **91** with, adhesives, cohesives, hook materials, loop materials, snaps, buttons, tabs, slots, magnets and combinations thereof as are known to those skilled in the art. The first tab fastening element **54** may also be a mechanical bond such as bonds created by ultrasonic, pressure, or thermal energy. The user may then use the article as a pull-up. Alternatively, the user may disconnect the prefastened first tab fastening element **54** and attachment landing zone **91** and use the article **20** as described above. At least one first tab fastening element **54** may also be permanently prefastened to the second fastening member and/or the attachment landing zone **91** with ultrasonics, bonds, heat bonding, adhesives, cohesives, hook materials, loop materials, snaps, buttons, tabs, slots, magnets and combinations thereof as are known to those skilled in the art. Embodiments are contemplated wherein only one first tab fastening element **54** is prefastened and the article is used as a pull-up on one of the wearer's legs and fastened and cinched during the application process on the other leg.

As shown in FIG. 5, when the at least one first tab fastening element **54** and the attachment landing zone **91** are fastened, an article waist **35** having a first waist hoop dimension **11** is formed. The first waist hoop **11** has a first waist hoop tension. In general, the first waist hoop dimension may or may not correspond with the waist dimension of the wearer herein defined as a target waist hoop dimension **12** shown in FIG. 5 and FIG. 6A.

As shown in FIG. 6a, when the at least one second tab fastening element **64** and the attachment landing zone **91** are fastened, an article waist **35** having a second waist hoop dimension **13** is formed. The second waist hoop **13** has a second waist hoop tension. In general, the second waist hoop dimension corresponds closely with the waist dimension of the wearer herein defined as a target waist hoop dimension **12** shown in FIG. 5 and FIG. 6A.

The fastening system works in conjunction with other elements of the article **20** to create an article waist **35** which can be assembled in different configurations. The article may have a first waist hoop dimension **11** and a second waist hoop dimension **13** that are the same, or different. The article **20** may also have a first waist hoop tension and a second waist hoop tension that are the same, or different. Preferably, the second waist hoop **13** is smaller than the first waist hoop **11**. Also preferably, the second waist tension is greater than the first waist tension. This allows improved the ease of application of the product while assuring the product reliably remains in place during wearing.

The first waist hoop tension level is lower than the second waist hoop tension level. This allows the product to be

13

pulled up easily while the product is configured at the first waist hoop tension level, yet reliably remain in place during wearing at the second waist hoop tension level.

The first waist hoop tension level may be about 0 grams force (gf) or greater at the first waist hoop dimension **11**. Preferably, the ratio of the first waist hoop tension to the second waist hoop tension is from about 0 to about 0.9

In embodiments in which the first waist hoop dimension **11** and second waist hoop dimension **13** are different, it is preferred to not have too great a difference between the first waist hoop dimension **11** and second waist hoop dimension **13**. If the difference is too great, an undue amount of material will have to be gathered by the user in switching between the the first waist hoop dimension **11** and second waist hoop dimension **13**. This can inhibit ease of use. Preferably, the waist hoop dimension ratio between the second waist hoop dimension **13** and the first waist hoop dimension **11** is from about 0.55 to about 0.95.

FIG. 6B is a close-up side view of one embodiment of the fastening device **41** engaged. The first fastening member **42** and second fastening member are shown relative to one another for engagement. The first tab **51** has the first tab fastening element **54** slightly exploded and relative to the attachment landing zone **91**. The second tab **61** and second tab fastening element **64** are also slightly exploded and relative to the attachment landing zone **91**.

The first waist region **36** and second waist region **38** may be more than about 10% elastomeric or extensible under a load of about 20 grams force/centimeter or greater. The elasticity or extensibility is designed to assist the pull-up and/or cinch of the absorbent article.

The first waist region **36** and second waist region **38** are used herein to differentiate the portions of the article being attached. For simplicity the first fastening member **42** is herein described as being joined to the first waist region **36** and the second fastening member **44** is herein described as being joined to the second waist region **38**. However, the two regions and two fastening members are generally interchangeable, e.g. the second fastening member could be located on the first waist region in alternate embodiments. The present invention may be readily adapted to many product forms and is intended to cover all such changes and modifications that are within the scope of this invention in the following claims.

What is claimed is:

1. An absorbent article having a first waist region, a second waist region and a crotch region interconnecting the first waist region and second waist region, an article inner surface and an article outer surface, the absorbent article comprising:

a topsheet;

a backsheet;

a fastening device for joining at least a portion of the first waist region with at least a portion of the second waist region, the fastening device including at least one first fastening member, and at least one second fastening member;

the first fastening member is joined to the first waist region, the first fastening member includes,

at least one first tab, the first tab including a first tab inner surface, a first tab outer surface, and a first tab fastening element on to the first tab inner surface,

at least one second tab, the second tab including a second tab inner surface, a second tab outer surface, and a second tab fastening element on the second tab inner surface,

14

a releasable tab to tab bond between the first tab outer surface and the second tab inner surface, the releasable tab to tab bond having a release load, at least one second fastening member joined to the second waist region on the article outer surface;

each first tab fastening element and second tab fastening element are configured to provide an operably secure, fastening engagement with the second fastening member, wherein the fastening device includes at least one stored landing zone on the article inner surface, a releasable storage fastening bond between the stored landing zone and the first fastening member, the releasable storage fastening bond having a release load that is less than the releasable tab to tab bond release load.

2. The absorbent article of claim 1, wherein the releasable storage fastening bond is selected from the group comprising adhesives, cohesives, hook materials, loop materials, and combinations thereof.

3. An absorbent article having a first waist region, a second waist region and a crotch region interconnecting the first waist region and second waist region, an article inner surface and an article outer surface, the absorbent article comprising:

a topsheet;

a backsheet;

a fastening device for joining at least a portion of the first waist region with at least a portion of the second waist region, the fastening device including at least one first fastening member, and at least one second fastening member;

the first fastening member is joined to the first waist region, the first fastening member includes,

at least one first tab, the first tab including a first tab inner surface, a first tab outer surface, and a first tab fastening element on to the first tab inner surface,

at least one second tab, the second tab including a second tab inner surface, a second tab outer surface, and a second tab fastening element on the second tab inner surface,

a releasable tab to tab bond between the first tab outer surface and the second tab inner surface, the releasable tab to tab bond having a release load, at least one second fastening member joined to the second waist region on the article outer surface;

each first tab fastening element and second tab fastening element are configured to provide an operably secure, fastening engagement with the second fastening member, wherein a first releasable fastening bond between the first tab fastening element and the second fastening member has a release load that is greater than the releasable tab to tab bond release load.

4. The absorbent article of claim 3, wherein a second releasable fastening bond between the second tab fastening element and the second fastening member has a release load that is greater than or equal to the first releasable fastening bond release load.

5. The article of claim 4, wherein the first tab fastening element is a hook material, the second tab fastening element is a second hook material, and the second fastening member includes at least two attachment landing zones of different loop material.

6. The article of claim 4, wherein the first tab fastening element and attachment landing zone are prefastened.

7. The absorbent article of claim 3, wherein the releasable combined tab fastening bond is selected from the group

15

comprising adhesives, cohesives, hook materials, loop materials, and combinations thereof.

8. The absorbent article of claim 3, wherein the first releasable fastening bond is selected from the group comprising adhesives, cohesives, hook materials, loop materials, and combinations thereof.

9. The absorbent article of claim 3, wherein the second releasable fastening bond is selected from the group comprising adhesives, cohesives, hook materials, loop materials, and combinations thereof.

10. The absorbent article of claim 3, wherein the first tab has a first tab length and the second tab has a second tab length, and the second tab length is greater than the first tab length.

11. The absorbent article of claim 10, wherein the second tab length is equal to the first tab length.

12. An absorbent article having a first waist region, a second waist region and a crotch region interconnecting the first waist region and second waist region, an article inner surface and an article outer surface, the absorbent article comprising:

a topsheet;

a backsheet;

a fastening device for joining at least a portion of the first waist region with at least a portion of the second waist region, the fastening device including at least one first fastening member, and at least one second fastening member;

the first fastening member is jointed to the first waist region, the first fastening member includes,

at least one first tab, the first tab including a first tab inner surface, a first tab outer surface, and a first tab fastening element on to the first tab inner surface,

at least one second tab, the second tab including a second tab inner surface, a second tab outer surface, and a second tab fastening element on the second tab inner surface,

a releasable tab to tab bond between the first tab outer surface and the second tab inner surface, the releasable tab to tab bond having a release load,

at least one second fastening member joined to the second waist region on the article outer surface;

each first tab fastening element and second tab fastening element are configured to provide an operably secure, fastening engagement with the second fastening member, wherein the first fastening member includes a gripping means.

13. An absorbent article having a first waist region, a second waist region and a crotch region interconnecting the first waist region and second waist region, an article inner surface and an article outer surface, the absorbent article comprising:

a topsheet;

a backsheet;

a fastening device for joining at least a portion of the first waist region with at least a portion of the second waist region, the fastening device including at least one first fastening member, and at least one second fastening member;

the first fastening member is joined to the first waist region, the first fastening member includes,

at least one first tab, the first tab including a first tab inner surface, a first tab outer surface, and a first tab fastening element on the first tab inner surface,

at least one second tab, the second tab including a second tab inner surface, a second tab outer surface,

16

and a second tab fastening element on the second tab inner surface,

the second fastening member is joined to the second waist region on the article outer surface and includes at least one attachment landing zone; wherein

when the at least one first tab fastening element and the attachment landing zone are fastened, a first waist hoop is formed,

wherein the article is positioned at a target article location and the at least one second tab fastening element is fastened to the attachment landing zone, a second waist hoop is formed, a ratio of the second waist hoop to the first waist hoop is from about 0.55 to about 0.95, wherein the article is a diaper, or pull-up.

14. An absorbent article having a first waist region, a second waist region and a crotch region interconnecting the first waist region and second waist region, an article inner surface and an article outer surface, the absorbent article comprising:

a topsheet;

a backsheet;

the first waist region and the second waist region are prefastened forming at least one leg opening;

a fastening device for joining at least a portion of the first waist region with at least a portion of the second waist region, the fastening device including at least one first fastening member, and at least one second fastening member;

the first fastening member is joined to the first waist region, the first fastening member includes,

at least one first tab, the first tab including a first tab inner surface, a first tab outer surface, and a first tab fastening element on the first tab inner surface,

at least one stored landing zone on the article,

a releasable storage fastening bond between the stored landing zone and the first fastening member, the releasable storage fastening bond having a release load,

the second fastening member is joined to the second waist region on the article outer surface;

each first tab fastening element is configured to provide an operably secure, fastening engagement with the second fastening member, wherein the first tab and a portion of the second fastening member are permanently prefastened.

15. An absorbent article having a first waist region, a second waist region and a crotch region interconnecting the first waist region and second waist region, an article inner surface and an article outer surface, the absorbent article comprising:

a topsheet;

a backsheet;

the first waist region and the second waist region are prefastened forming at least one leg opening;

a fastening device for joining at least a portion of the first waist region with at least a portion of the second waist region, the fastening device including at least one first fastening member, and at least one second fastening member;

the first fastening member is joined to the first waist region, the first fastening member includes,

at least one first tab, the first tab including a first tab inner surface, a first tab outer surface, and a first tab fastening element on the first tab inner surface,

17

at least one stored landing zone on the article,
 a releasable storage fastening bond between the
 stored landing zone and the first fastening
 member, the releasable storage fastening bond
 having a release load,
 the second fastening member is joined to the second
 waist region on the article outer surface;
 each first tab fastening element is configured to provide an
 operably secure, fastening engagement with the second
 fastening member, wherein the first fastening member
 includes at least one second tab, the second tab including a
 second tab inner surface, a second tab outer surface, and a
 second tab fastening member on the second tab inner
 surface.

16. The article of claim 15, wherein the second fastening
 member includes at least two attachment landing zones of
 different material.

17. An absorbent article having a first waist region, a
 second waist region and a crotch region interconnecting the
 first waist region and second waist region, an article inner
 surface and an article outer surface, the absorbent article
 comprising:

a topsheet;

a backsheet;

the first waist region and the second waist region are
 prefastened forming at least one leg opening;

a fastening device for joining at least a portion of the first
 waist region with at least a portion of the second waist
 region, the fastening device including at least one first
 fastening member, and at least one second fastening
 member;

the first fastening member is joined to the first waist
 region, the first fastening member includes,
 at least one first tab, the first tab including a first tab
 inner surface, a first tab outer surface, and a first
 tab fastening element on the first tab inner surface,
 at least one stored landing zone on the article,

a releasable storage fastening bond between the
 stored landing zone and the first fastening
 member, the releasable storage fastening bond
 having a release load,

the second fastening member is joined to the second
 waist region on the article outer surface;

each first tab fastening element is configured to provide an
 operably secure, fastening engagement with the second
 fastening member, wherein the first and second waist
 regions are more than about 10% elastomeric or extensible
 under a load of about [80] 20 grams force/centimeter or
 greater.

18. The article of claim 14, wherein the first tab and the
 second fastening member are prefastened by a mechanical
 bond.

19. The article of claim 14, wherein at least a portion of
 the first fastening member is directly joined to the first waist
 region.

20. An absorbent article having a first waist region, a
 second waist region and a crotch region interconnecting the
 first waist region and second waist region, an article inner
 surface and an article outer surface, the absorbent article
 comprising:

a topsheet;

a backsheet; and

a fastening device for joining at least a portion of the first
 waist region with at least a portion of the second waist
 region, the fastening device including at least one first
 fastening member, and at least one second fastening
 member;

18

the at least one first fastening member is joined to the first
 waist region, the at least one first fastening member
 includes, at least one first tab, the first tab including a
 first tab inner surface, a first tab outer surface, and a
 first tab fastening element on the first tab, at least one
 second tab, the second tab including a second tab inner
 surface, a second tab outer surface, and a second tab
 fastening element on the second tab, a releasable tab to
 tab bond between the first tab and the second tab, the
 releasable tab to tab bond having a release load, the at
 least one second fastening member is joined to the
 second waist region on the article outer surface;

each first tab fastening element and second tab fastening
 element are configured to provide an operably secure,
 fastening engagement with the second fastening
 member, wherein the first fastening member includes a
 gripping means.

21. An absorbent article having a first waist region, a
 second waist region, and a crotch region interconnecting the
 first waist region and the second waist region, the absorbent
 article comprising:

a topsheet;

a backsheet;

a fastening device for joining at least a portion of the first
 waist region with at least a portion of the second waist
 region, the fastening device including:

at least one first fastening member at least partially
 joined to the first waist region, the first fastening
 member including a first tab and a second tab
 partially attached to and extending laterally from the
 first tab;

at least one second fastening member at least partially
 joined to the second waist region; and at least one
 stored landing zone;

a releasable mechanical bond between a portion of the
 first tab and a portion of the at least one second
 fastening member prefastening the first waist region
 with the second waist region to form at least one leg
 opening in the article prior to use; and

a releasable storage fastening bond between a portion
 of the second tab and the at least one stored landing
 zone, the releasable storage fastening bond adapted
 to maintain the first fastening member in a stored
 position prior to use of the article;

wherein the first and second waist regions are more than
 about 10% elastomeric or extensible under a load of
 about 20 grams force/centimeter or greater.

22. The article of claim 21, wherein at least a portion of
 the at least one first fastening member is directly joined to
 the first waist region.

23. The article of claim 21, wherein the first tab includes
 a first tab fastening element, and the second tab includes a
 second tab fastening element.

24. The article of claim 23, wherein the first tab fastening
 element forms the releasable mechanical bond with the at
 least one second fastening member, and the second tab
 fastening element forms the releasable storage fastening
 bond with the at least one stored landing zone.

25. The article of claim 21, wherein the releasable storage
 fastening bond is formed from materials selected from the
 group comprising: adhesives, cohesives, hook materials,
 loop materials, and combinations thereof.

26. The article of claim 21, wherein the releasable
 mechanical bond is created by ultrasonic energy, pressure,
 thermal energy or a combination thereof.

27. An absorbent article having a first waist region, a
 second waist region, and a crotch region interconnecting the

first waist region and the second waist region, the absorbent article comprising:

a topsheet;

a backsheet;

a fastening device for joining at least a portion of the first waist region with at least a portion of the second waist region, the fastening device including:

two first fastening members, each of the first fastening members having at least a portion joined to the first waist region, and each of the first fastening members including a first tab having a first tab fastening element and a second tab partially attached to and extending laterally from the first tab, the second tab having a second tab fastening element; and

a second fastening member having at least a portion joined to the second waist region, the second fastening member having at least one stored landing zone and at least one attachment landing zone;

a releasable mechanical bond between a portion of each first tab and a respective portion of the second fastening member prefastening the first waist region and the second waist region to form two leg openings and a first waist hoop in the article prior to use; and

a releasable storage fastening bond between a portion of each second tab and the at least one stored landing zone, the releasable storage fastening bond adapted to maintain each first fastening member in a stored position prior to use of the article and to permit each first fastening member to be repositioned from the stored position;

wherein the first tabs are configured to provide fastening engagement with the attachment landing zone to form a second waist hoop upon being repositioned from the stored position; and

wherein the first and second waist regions are more than about 10% elastomeric or extensible under a load of about 20 grams force/centimeter or greater.

28. The article of claim 27, wherein the second waist hoop is smaller than the first waist hoop.

29. The article of claim 27, wherein at least a portion of the two first fastening members is directly joined to the first waist region.

30. The article of claim 27, wherein the first tab fastening element forms the releasable mechanical bond with the second fastening member, and the second tab fastening element forms the releasable storage fastening bond with the at least one stored landing zone.

31. The article of claim 27, wherein the releasable storage fastening bond is formed from materials selected from the group comprising: adhesives, cohesives, hook materials, loop materials, and combinations thereof.

32. The article of claim 27, wherein the first releasable mechanical bond is created by ultrasonic energy, pressure, thermal energy or a combination thereof.

33. An absorbent article having a first waist region, a second waist region, and a crotch region interconnecting the first waist region and the second waist region, the absorbent article comprising:

a topsheet;

a backsheet; and

a fastening device for joining at least a portion of the first waist region with at least a portion of the second waist region, the fastening device including:

at least one first fastening member having at least a portion joined to the first waist region, the first

fastening member including a first tab and a second tab partially attached to and extending laterally from the first tab;

at least one second fastening member having at least a portion joined to the second waist region;

a releasable mechanical bond between a portion of the first tab and a portion of the at least one second fastening member prefastening the first waist region and the second waist region to form at least one leg opening in the article prior to use; and

a releasable storage fastening bond between a portion of the second tab and a portion of the at least one second fastening member, the releasable storage fastening bond adapted to maintain the first fastening member in position prior to use;

wherein the first and second waist regions are more than about 10% elastomeric or extensible under a load of about 20 grams force/centimeter or greater.

34. The article of claim 33, wherein at least a portion of the at least one first fastening member is directly joined to the first waist region.

35. The article of claim 33, wherein the at least one first fastening member has an elastic portion and an inelastic portion.

36. The article of claim 33, wherein the at least one first fastening member has an extensible portion and a non-extensible portion.

37. The article of claim 33, wherein the first tab includes a first tab fastening element, and the second tab includes a second tab fastening element.

38. The article of claim 37, wherein the first tab fastening element forms the releasable mechanical bond and the second tab fastening element forms the releasable storage fastening bond.

39. The article of claim 33, wherein the releasable storage fastening bond is formed from materials selected from the group comprising: adhesives, cohesives, hook materials, loop materials, and combinations thereof.

40. The article of claim 33, wherein the first releasable mechanical bond is created by ultrasonic energy, pressure, thermal energy or a combination thereof.

41. An absorbent article having a first waist region, a second waist region, and a crotch region interconnecting the first waist region and the second waist region, the absorbent article comprising:

a topsheet;

a backsheet; and

a fastening device for joining the first waist region with the second waist region, the fastening device including:

a first fastening member joined to the first waist region, the first fastening member including a first tab and a second tab partially attached to and extending laterally from the first tab, a second fastening member joined to the second waist region;

a first releasable mechanical bond between the first tab and the second fastening member prefastening the first waist region and the second waist region to form at least one leg opening in the article prior to use; and

a second releasable bond between the second tab and the second fastening member, the second releasable bond adapted to maintain the first fastening member in position prior to use;

wherein the first and second waist regions extend at least about 10% under a load of about 20 grams force/centimeter or greater.

21

42. The article of claim 41, wherein the first tab includes a first tab fastening element and the second tab includes a second tab fastening element.

43. The article of claim 42, wherein the first releasable mechanical bond is between the first tab fastening element and the second fastening member. 5

44. The article of claim 43, wherein the second releasable bond is between the second tab fastening element and the second fastening member.

45. The article of claim 41, wherein the first releasable mechanical bond is created by ultrasonic energy, pressure, thermal energy or a combination thereof. 10

46. The article of claim 41, wherein the second releasable bond is formed from materials selected from the group comprising: adhesives, cohesives, hook materials, loop materials, and combinations thereof. 15

47. An absorbent article having a longitudinal axis, a first waist region, a second waist region, and a crotch region interconnecting the first waist region and the second waist region, the absorbent article comprising: 20

a topsheet;

a backsheet; and

a fastening device for joining at least a portion of the first waist region with at least a portion of the second waist region, the fastening device including at least one first fastening member and at least one second fastening member; 25

the at least one first fastening member is joined to the first waist region, the at least one first fastening member includes:

22

a first tab fastening element and a second tab fastening element on an inner surface of the first fastening member;

the at least one second fastening member is joined to the second waist region, the at least one second fastening member includes:

a first zone and a second zone, the first and second zones are formed on discrete and separate surface portions of the second fastening member;

a releasable mechanical bond between the first tab fastening element and the first zone, the releasable mechanical bond is prefastened to form at least one leg opening; and

a releasable storage fastening bond between a portion of the second tab fastening element and the second zone, the releasable storage fastening bond adapted to maintain at least a portion of the first fastening member in a stored position prior to use;

wherein the first and second waist regions are more than about 10% elastomeric or extensible under a load of about 20 grams force/centimeter or greater.

48. The article of claim 47, wherein the first zone is disposed a first distance from the longitudinal axis and the second zone is disposed a second distance from the longitudinal axis less than the first distance, the first and second distances measured along the second waist region.

* * * * *