



US00RE40158E

(19) **United States**  
(12) **Reissued Patent**  
**Weitgasser**

(10) **Patent Number:** **US RE40,158 E**  
(45) **Date of Reissued Patent:** **Mar. 25, 2008**

(54) **WALL LIGHT**  
(75) Inventor: **Erwin Weitgasser**, Salzburg (AT)  
(73) Assignee: **Derungs Licht AG**, Gossau (CH)  
(21) Appl. No.: **29/259,363**  
(22) Filed: **Apr. 14, 2004**

CH 114070 11/1984  
CH 126592 1/2000

**OTHER PUBLICATIONS**

Fluora Tecno-X; Direkt/Indirekt-Leuchten für T5 Fluoreszenzlampen, ø 16 mm; Fluora Leuchten AG; pp. 28-31.

\* cited by examiner

*Primary Examiner*—Clare E Heflin  
(74) *Attorney, Agent, or Firm*—Shoemaker and Mattare

**Related U.S. Patent Documents**

Reissue of:

(64) Patent No.: **Des. 472,007**  
Issued: **Mar. 18, 2003**  
Appl. No.: **29/160,317**  
Filed: **May 9, 2002**

(57) **CLAIM**

The ornamental design for a wall light, as shown and described.

(30) **Foreign Application Priority Data**

Nov. 12, 2001 (WO) ..... DM/058 476  
(51) **LOC (8) Cl.** ..... **26-03**  
(52) **U.S. Cl.** ..... **D26/76; D26/72**  
(58) **Field of Classification Search** ..... D26/72,  
D26/75-79; 362/217-225  
See application file for complete search history.

**DESCRIPTION**

FIG. 1 is a perspective view of a light, viewed from the front, left side and bottom, showing my new design;  
FIG. 2 is a rear elevation thereof;  
FIG. 3 is a top plan view thereof;  
FIG. 4 is a front elevation thereof;  
FIG. 5 is a bottom plan view thereof; and,  
FIG. 6 is a right side elevation thereof, the left side elevation being a mirror image.

(56) **References Cited**

**U.S. PATENT DOCUMENTS**

D125,468 S \* 2/1941 Dreyfuss ..... D26/75  
D139,670 S \* 12/1944 Lippincott ..... D26/76  
2,715,449 A \* 8/1955 Lemmerman et al. .... 362/217  
D414,580 S \* 9/1999 Herst ..... D26/76

**1 Claim, 2 Drawing Sheets**

**FOREIGN PATENT DOCUMENTS**

CH 112501 8/1982

**Matter enclosed in heavy brackets [ ] appears in the original patent, but forms no part of this reissue; matter printed in italics indicates the additions made by reissue.**

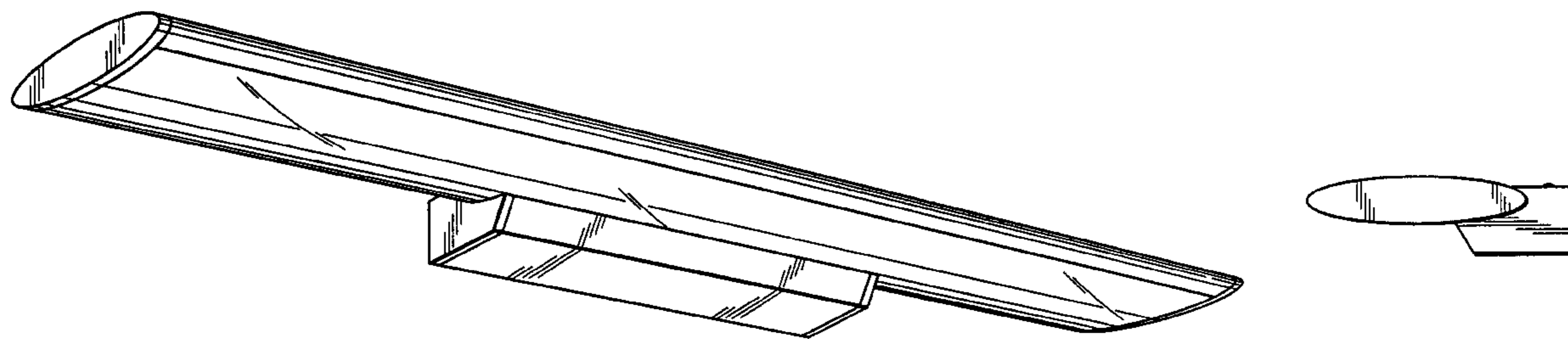


FIG. 1

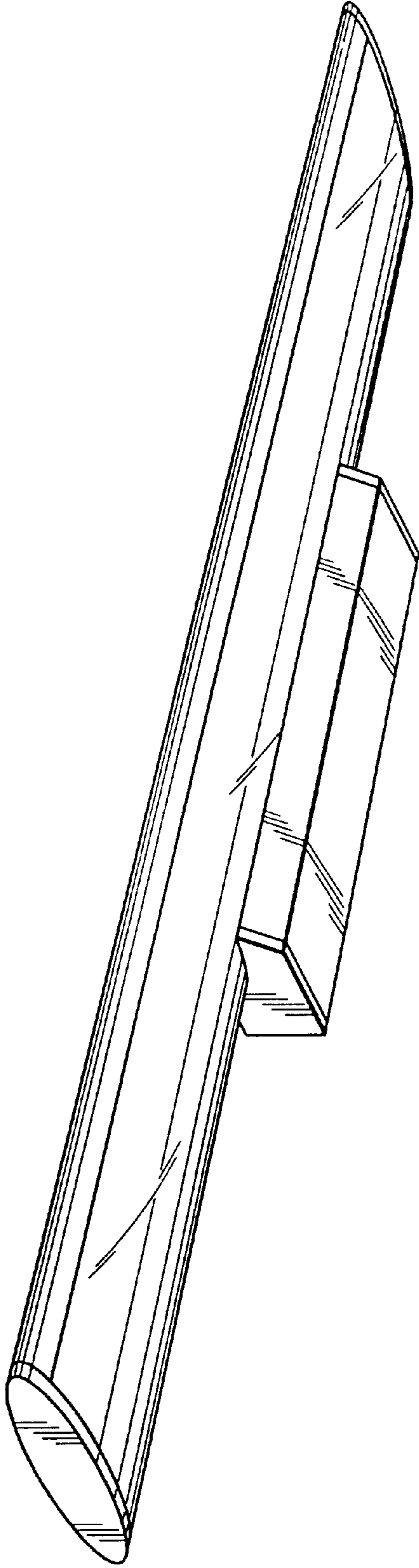


FIG. 2



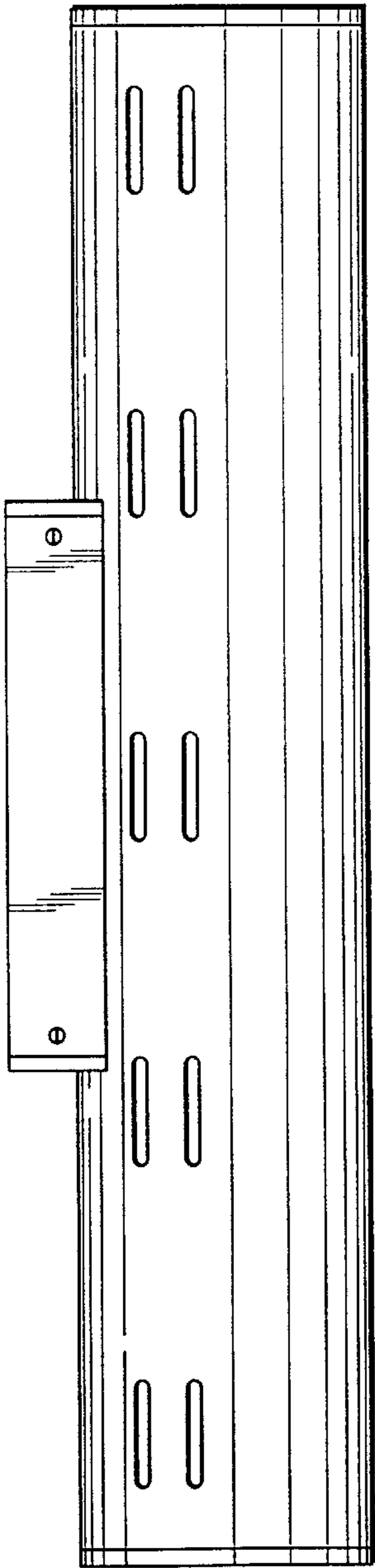


FIG. 3



FIG. 4

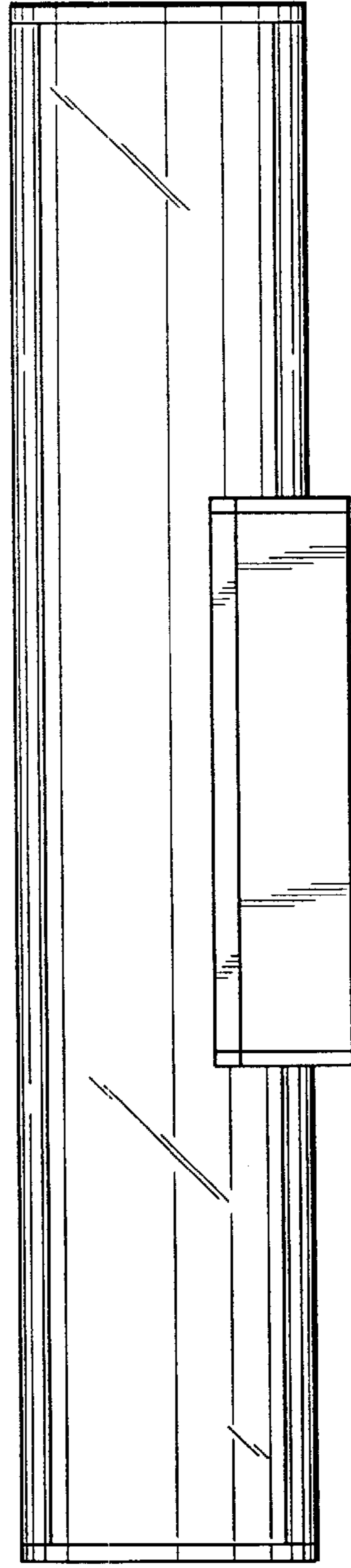


FIG. 5

FIG. 6

