



US00RE40094E

(19) **United States**
(12) **Reissued Patent**
Nakano

(10) **Patent Number: US RE40,094 E**
(45) **Date of Reissued Patent: Feb. 26, 2008**

(54) **COMPUTER**

JP 10-14967 S 7/1998
JP 11-18613 S 8/2001

(75) Inventor: **Rumi Nakano**, Tokyo (JP)

OTHER PUBLICATIONS

(73) Assignee: **Sony Corporation**, Tokyo (JP)

Home page "Apple I-Book", 2pgs, Apple Computer Inc. (Mar. 2001).

(21) Appl. No.: **29/218,399**

Catalog "If Design Award 1997, 1998 CF-25", 2 pgs, Panasonic (1997 & 1998).

(22) Filed: **Dec. 2, 2004**

Home page "PetitWeb", 4 pgs, NTT (Apr. 2000).

* cited by examiner

Related U.S. Patent Documents

Reissue of:

(64) Patent No.: **Des. 466,499**
Issued: **Dec. 3, 2002**
Appl. No.: **29/145,270**
Filed: **Jul. 20, 2001**

Primary Examiner—Freda S. Nunn

(74) *Attorney, Agent, or Firm*—Rader, Fishman & Grauer, PLLC

(51) **LOC (8) Cl.** **14-02**

(52) **U.S. Cl.** **D14/328**

(58) **Field of Classification Search** D14/315,
D14/322, 327, 328; D18/1, 2, 7, 11; 235/145 A,
235/145 R; 341/22, 23; 345/104, 156, 168,
345/169, 173; 361/680-686

See application file for complete search history.

(57) **CLAIM**

The ornamental design for a computer, as shown and described.

DESCRIPTION

(56) **References Cited**

U.S. PATENT DOCUMENTS

D310,517 S * 9/1990 Hara et al. D14/324
D313,403 S * 1/1991 Esslinger et al. D14/324
D334,738 S * 4/1993 Kim D14/324
D392,625 S * 3/1998 Tang et al. D14/324
D430,156 S * 8/2000 Yamada D14/328

FIG. 1 is a perspective view of a computer showing my new design;

FIG. 2 is a front elevational view thereof;

FIG. 3 is a rear elevational view thereof;

FIG. 4 is a left side elevational view thereof;

FIG. 5 is a right side elevational view thereof;

FIG. 6 is a top plan view thereof; and,

FIG. 7 is a bottom plan view thereof.

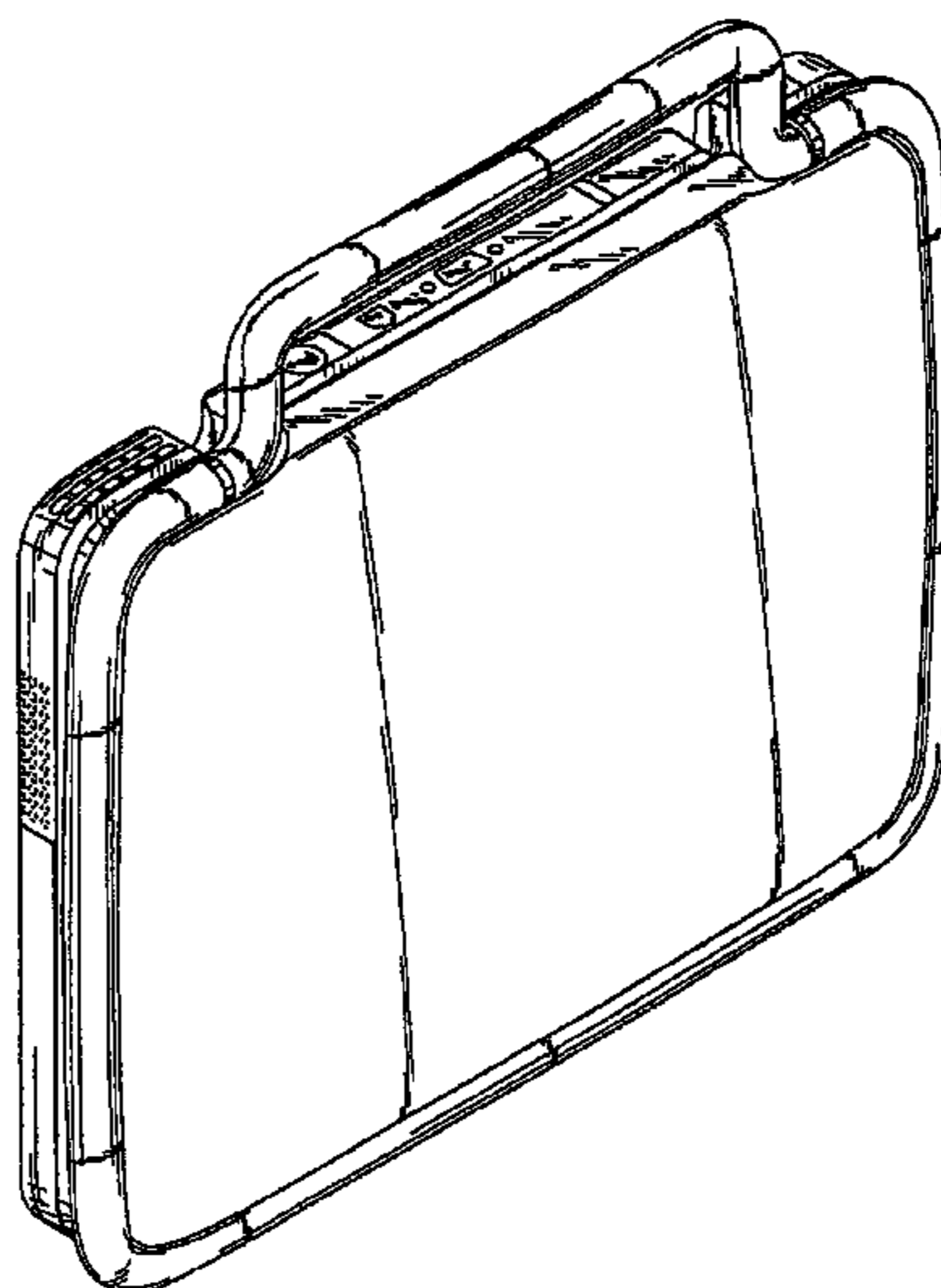
Portions of FIGS. 1 and 4 that are shown as broken lines are for illustrative purpose only and form no part of the claimed design.

FOREIGN PATENT DOCUMENTS

JP 894367 3/1994
JP 8-94367 S 3/1994
JP 938677 11/1995
JP 9-38677 S 11/1995
JP 946656 2/1996
JP 9-46656 S 2/1996
JP 955287 6/1996
JP 9-55287 S 6/1996
JP 1014967 7/1998

1 Claim, 4 Drawing Sheets

Matter enclosed in heavy brackets [] appears in the original patent, but forms no part of this reissue; matter printed in italics indicates the additions made by reissue.



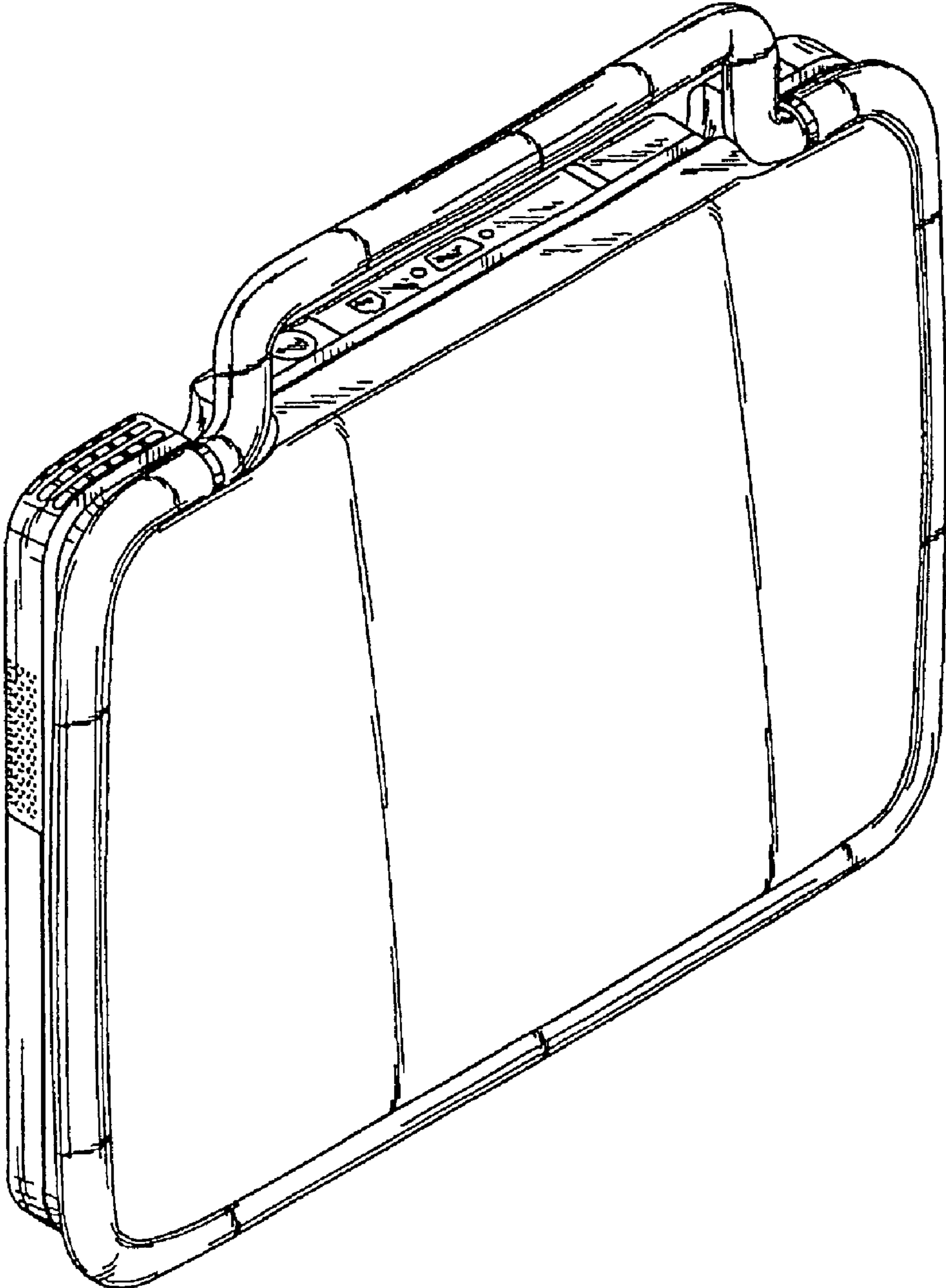


Fig. 1

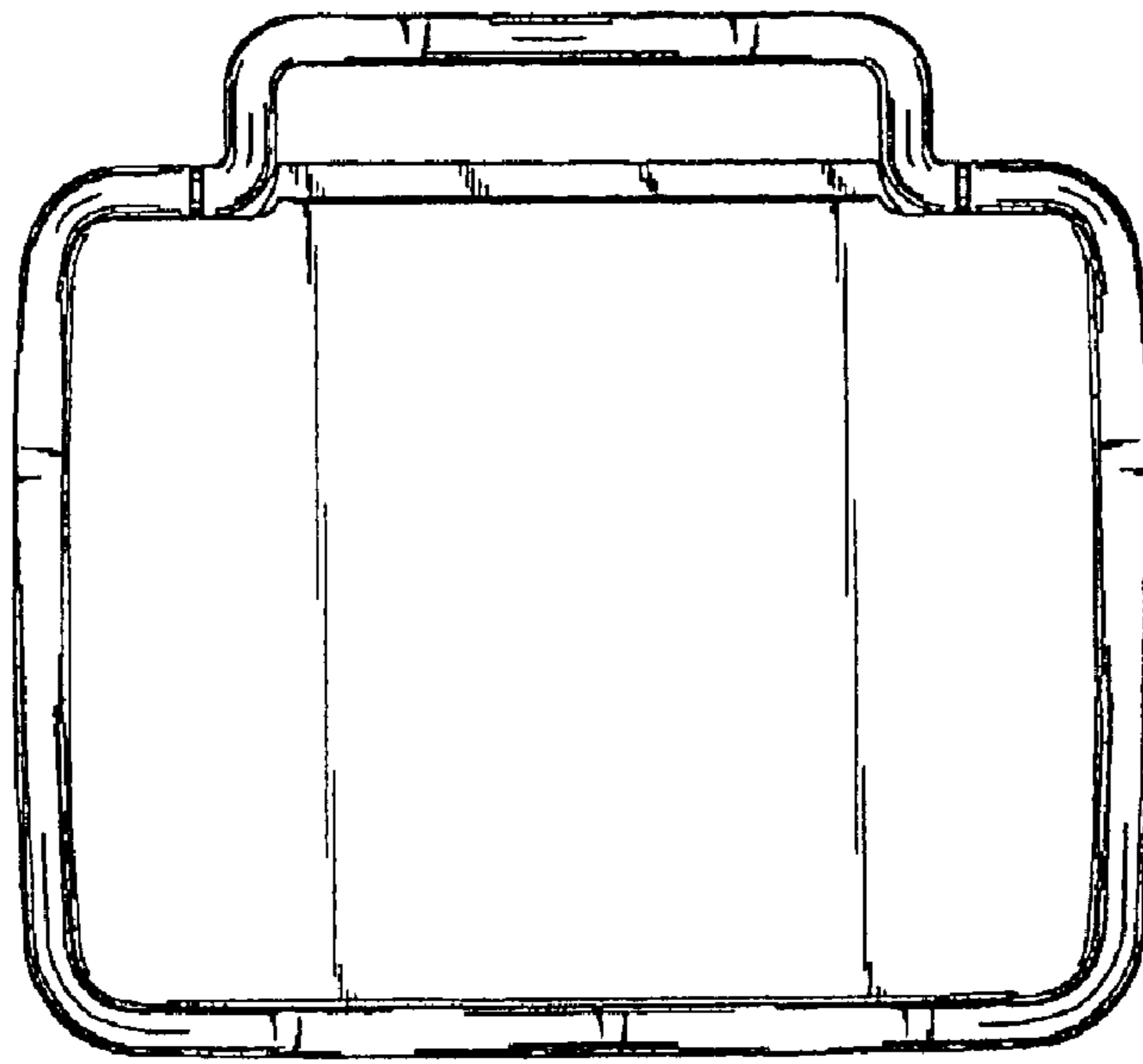


Fig. 2

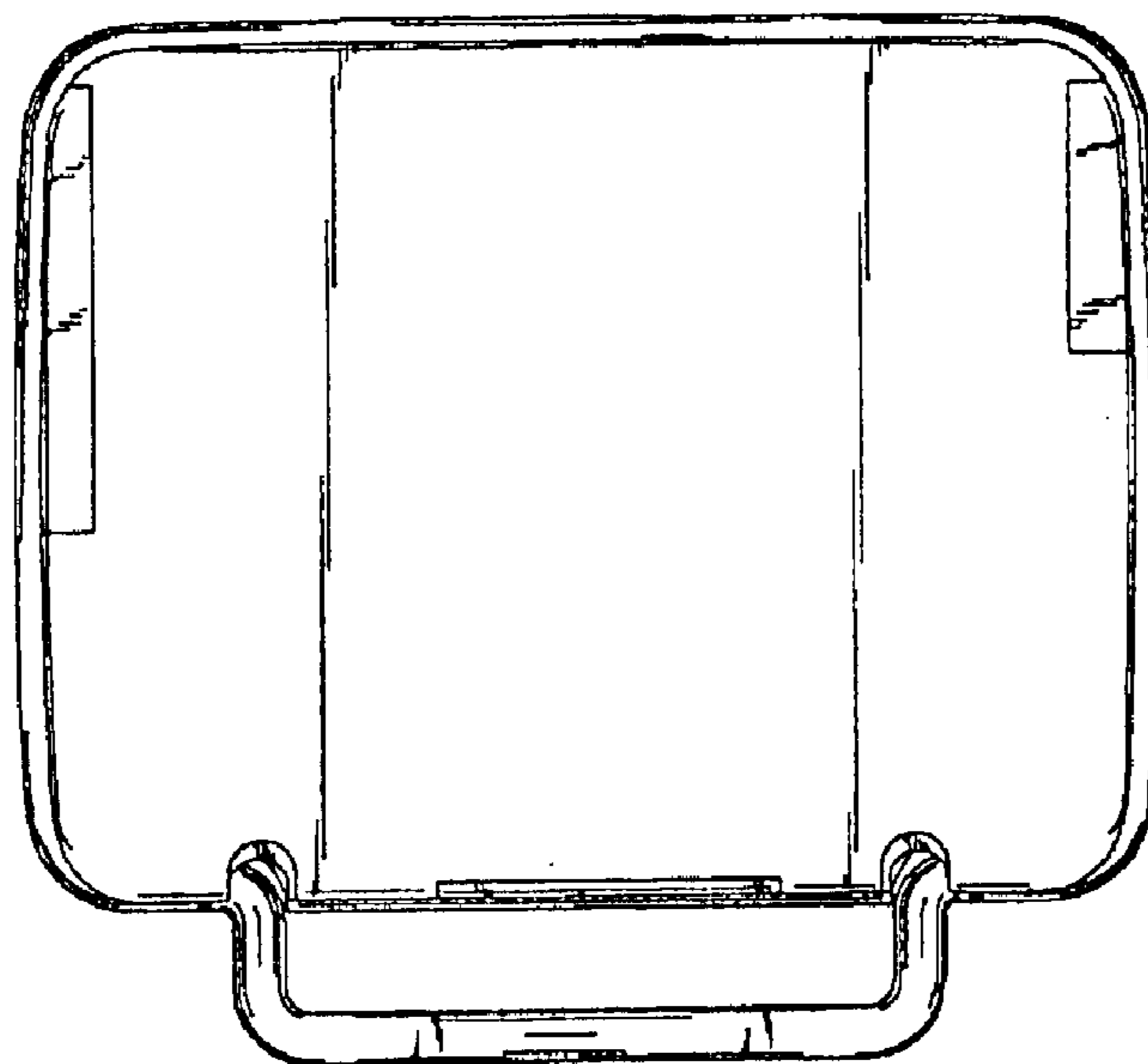


Fig. 3



Fig. 4



Fig. 5

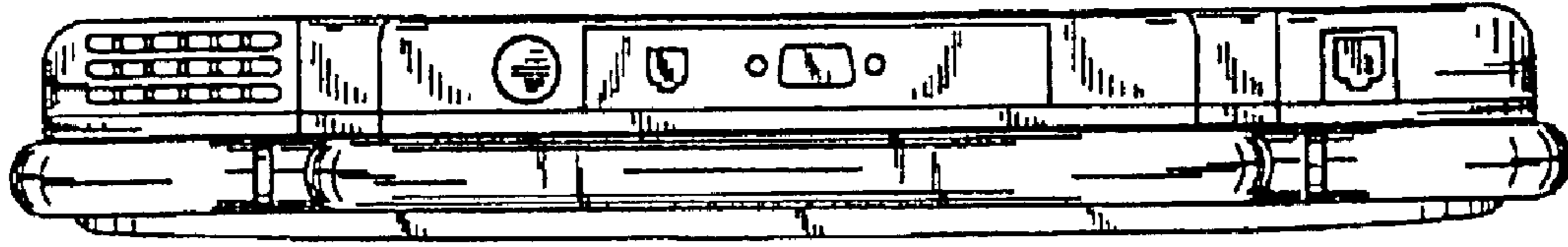


Fig. 6

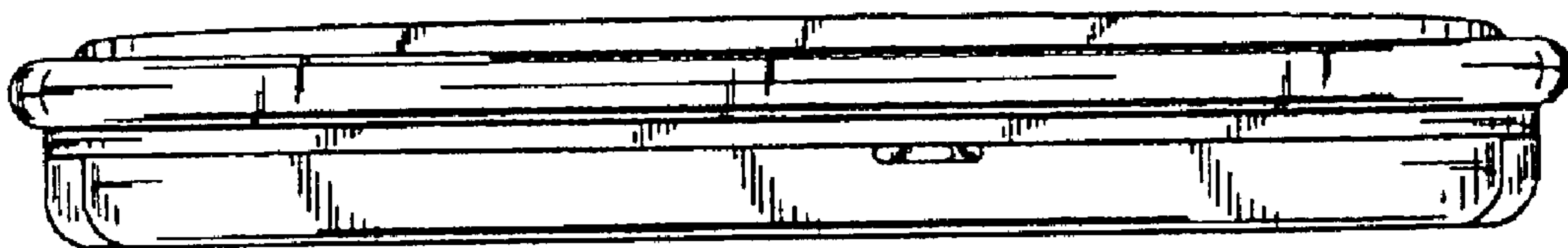


Fig. 7

UNITED STATES PATENT AND TRADEMARK OFFICE
CERTIFICATE OF CORRECTION

PATENT NO. : RE 40,094 E
APPLICATION NO. : 29/218399
DATED : February 26, 2008
INVENTOR(S) : Nakano

Page 1 of 6

It is certified that error appears in the above-identified patent and that said Letters Patent is hereby corrected as shown below:

Title page illustrating a figure(s) should be deleted, and replaced with title page illustrating a figure(s). (attached)

Delete drawing sheets 1-4, and replace with new drawing sheets 1-4. (attached)

Signed and Sealed this

Twenty-third Day of June, 2009



JOHN DOLL

Acting Director of the United States Patent and Trademark Office

(19) **United States**
 (12) **Reissued Patent**
Nakano

(10) **Patent Number: US RE40,094 E**
 (45) **Date of Reissued Patent: Feb. 26, 2008**

(54) **COMPUTER**

JP 10-14967 S 7/1998
 JP 11-18613 S 8/2001

(75) **Inventor: Rumi Nakano, Tokyo (JP)**

OTHER PUBLICATIONS

(73) **Assignee: Sony Corporation, Tokyo (JP)**

Home page "Apple I-Book", 2 pgs, Apple Computer Inc. (Mar. 2001).

(21) **Appl. No.: 29/218,399**

Catalog "If Design Award 1997, 1998 CF 25", 2 pgs, Panasonic (1997 & 1998).

(22) **Filed: Dec. 2, 2004**

Home page "PetitWeb", 4 pgs, NTT (Apr. 2000).

Related U.S. Patent Documents

Reissue of:

(64) **Patent No.: Des. 466,499**
Issued: Dec. 3, 2002
Appl. No.: 29/145,270
Filed: Jul. 20, 2001

* cited by examiner

Primary Examiner—Freda S. Nunn

(74) *Attorney, Agent, or Firm*—Rader, Fishman & Grauer, PLLC

(51) **LOC (8) Cl. 14-02**

(52) **U.S. Cl. D14/328**

(58) **Field of Classification Search D14/315, D14/322, 327, 328; D18/1, 2, 7, 11; 235/145 A, 235/145 R; 341/22, 23; 345/104, 156, 168, 345/169, 173; 361/680-686**

See application file for complete search history.

(57) **CLAIM**

The ornamental design for a computer, as shown and described.

DESCRIPTION

FIG. 1 is a perspective view of a computer showing my new design;

FIG. 2 is a front elevational view thereof;

FIG. 3 is a rear elevational view thereof;

FIG. 4 is a left side elevational view thereof;

FIG. 5 is a right side elevational view thereof;

FIG. 6 is a top plan view thereof; and,

FIG. 7 is a bottom plan view thereof.

Portions of FIGS. 1 and 4 that are shown as broken lines are for illustrative purpose only and form no part of the claimed design.

(56) **References Cited**

U.S. PATENT DOCUMENTS

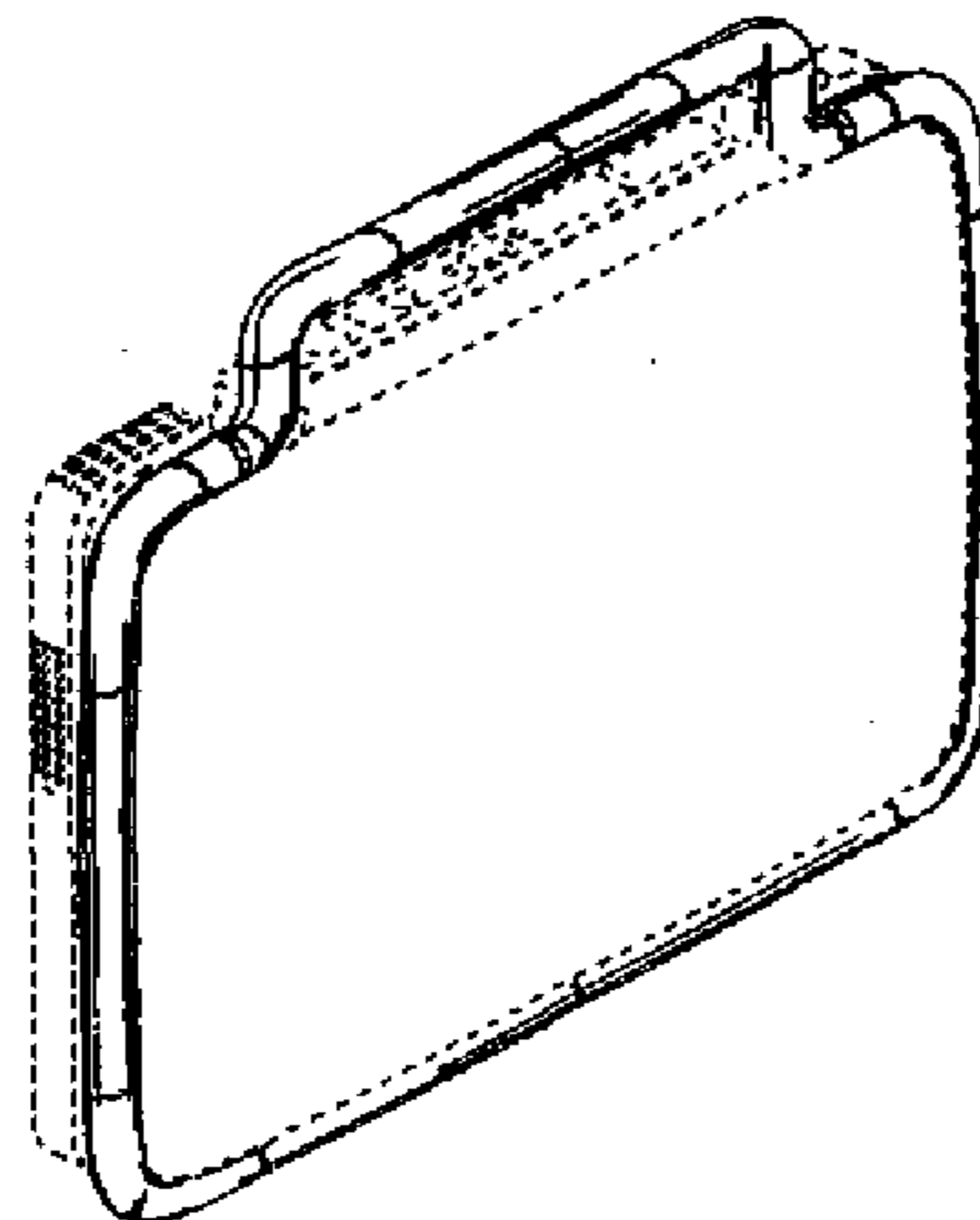
D310,517 S * 9/1990 Hara et al. D14/324
 D313,403 S * 1/1991 Esslinger et al. D14/324
 D334,738 S * 4/1993 Kim D14/324
 D392,625 S * 3/1998 Tang et al. D14/324
 D430,156 S * 8/2000 Yamada D14/328

FOREIGN PATENT DOCUMENTS

JP 894367 3/1994
 JP 8-94367 S 3/1994
 JP 938677 11/1995
 JP 9-38677 S 11/1995
 JP 946656 2/1996
 JP 9-46656 S 2/1996
 JP 955287 6/1996
 JP 9-55287 S 6/1996
 JP 1014967 7/1998

1 Claim, 4 Drawing Sheets

Matter enclosed in heavy brackets [] appears in the original patent, but forms no part of this reissue; matter printed in italics indicates the additions made by reissue.



U.S. Patent

Feb. 26, 2008

Sheet 1 of 4

RE40,094 E

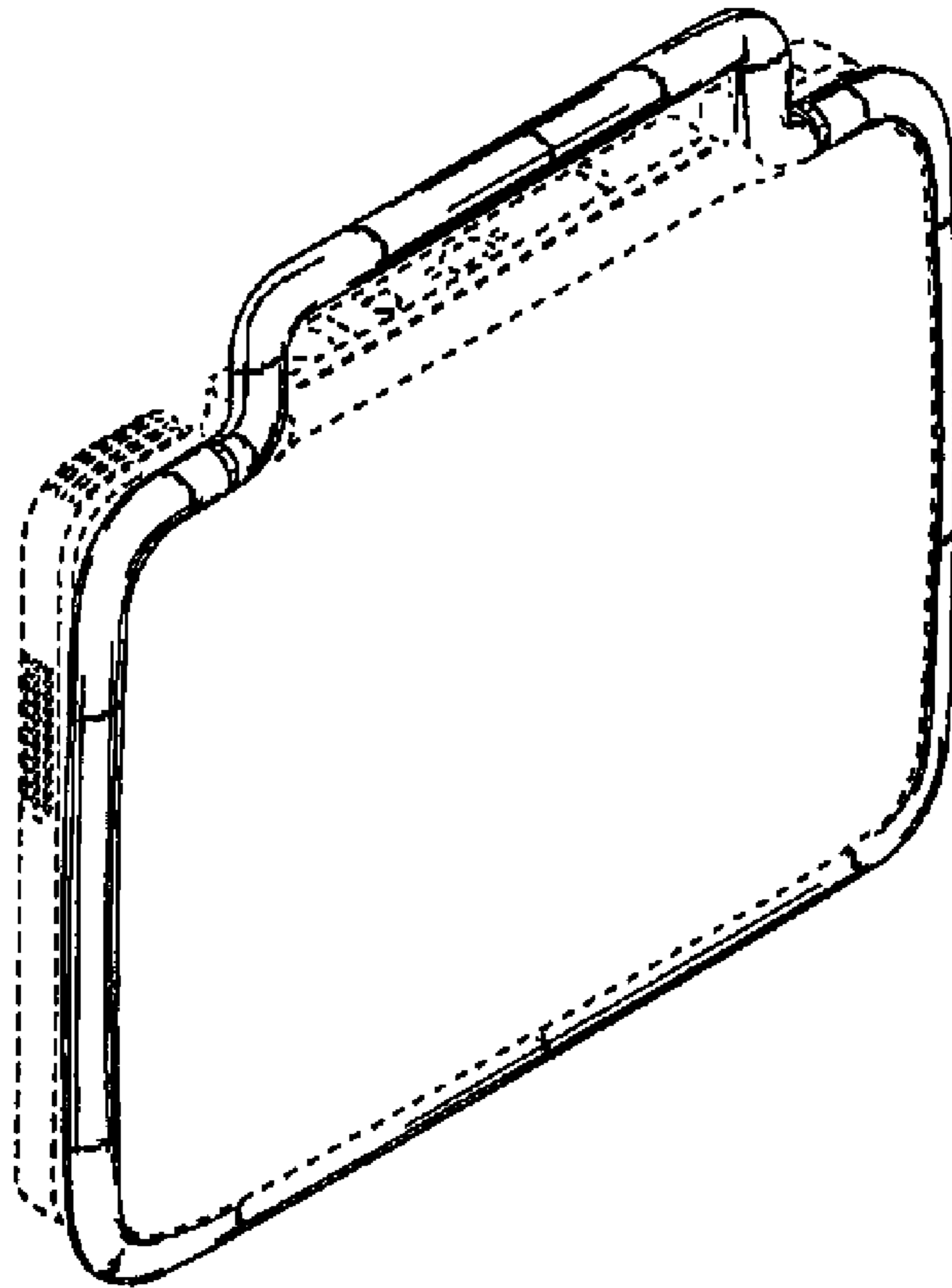


Fig.1

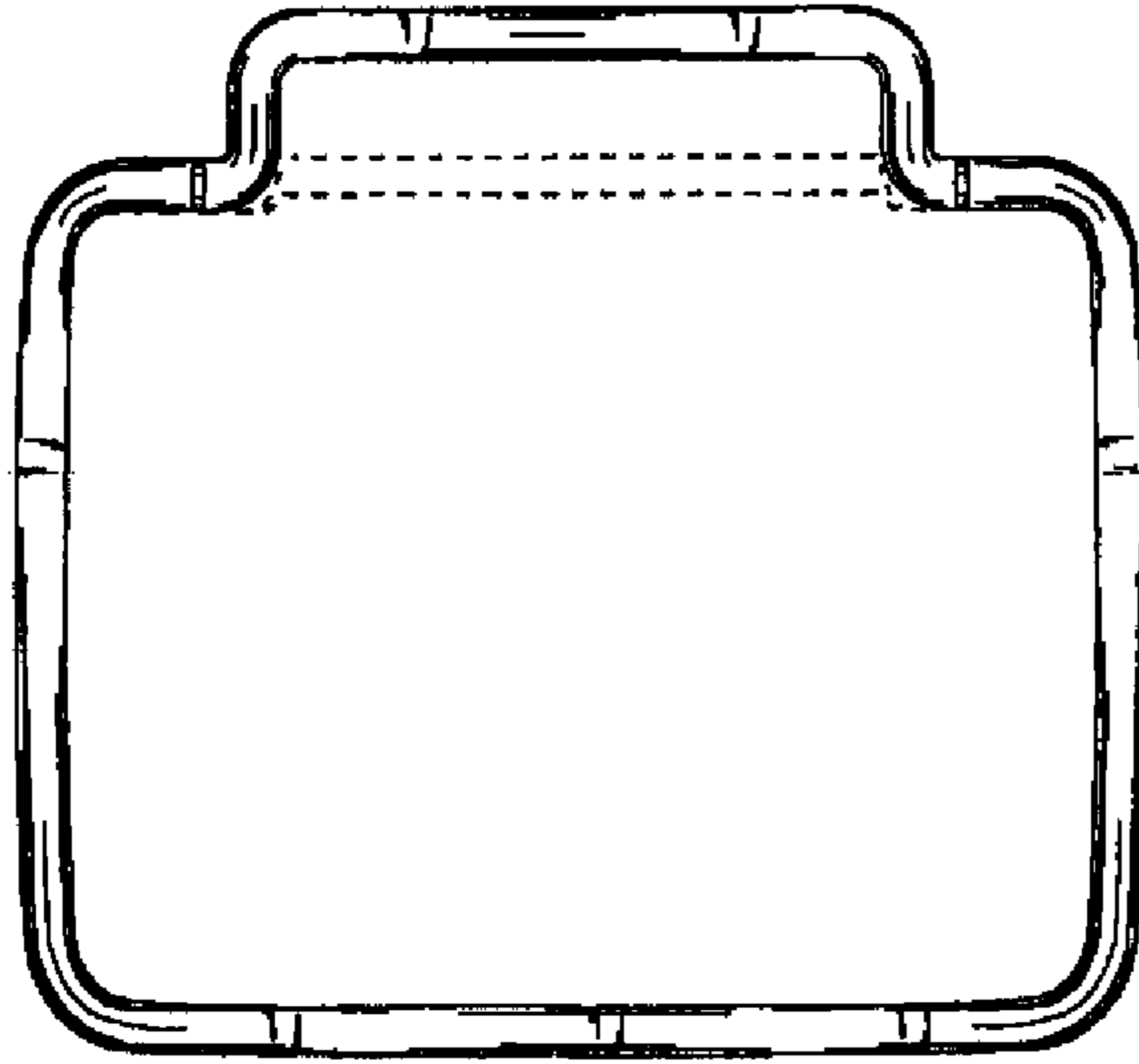


Fig. 2

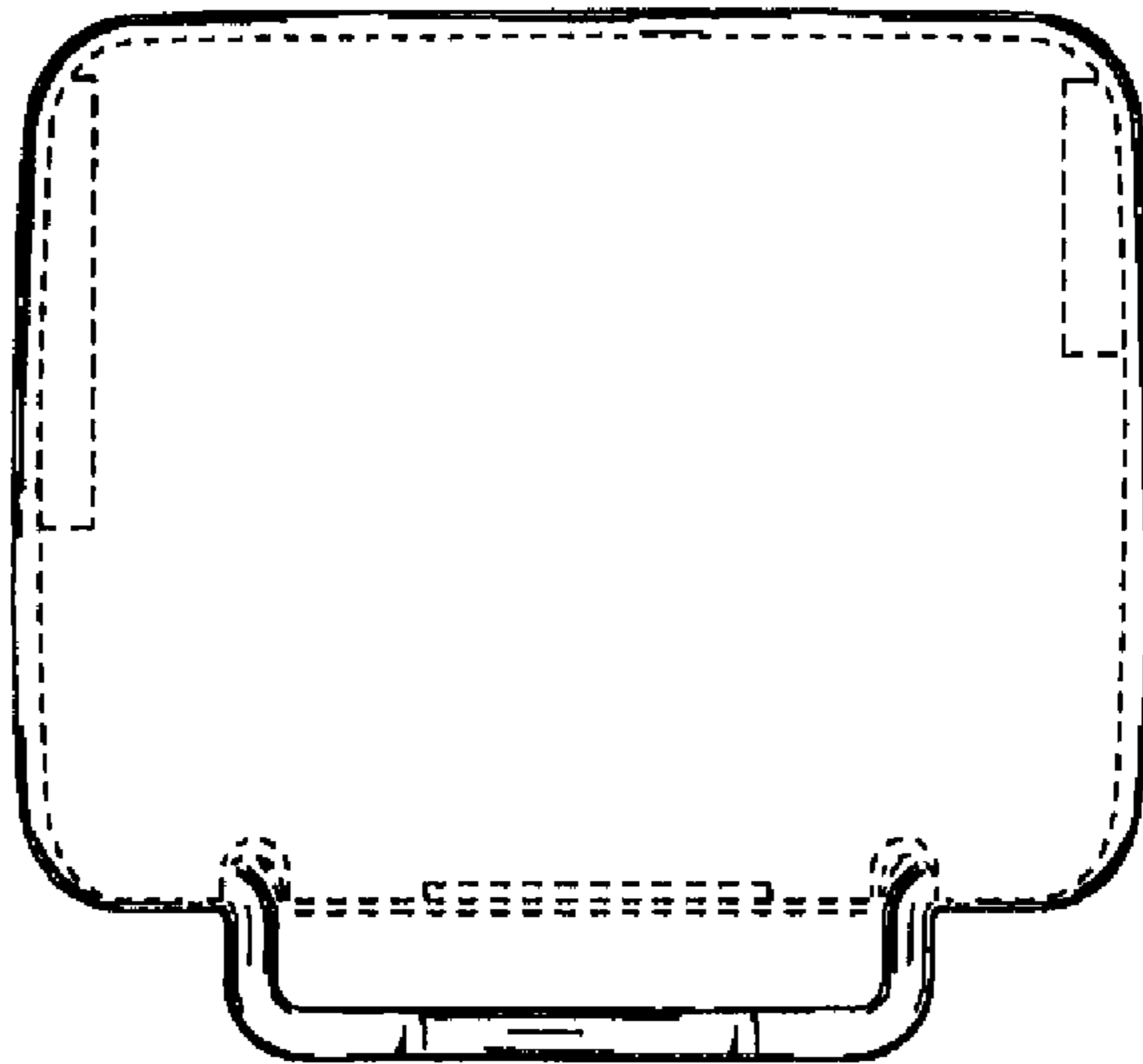


Fig. 3



Fig. 4



Fig. 5

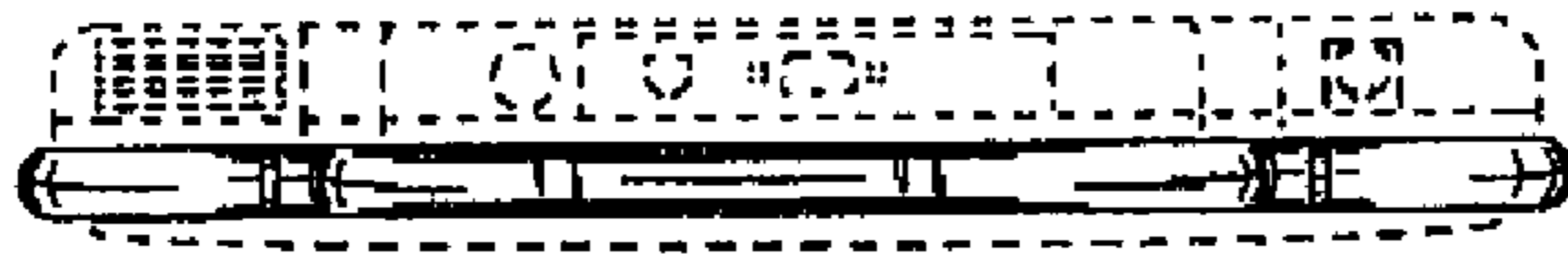


Fig. 6

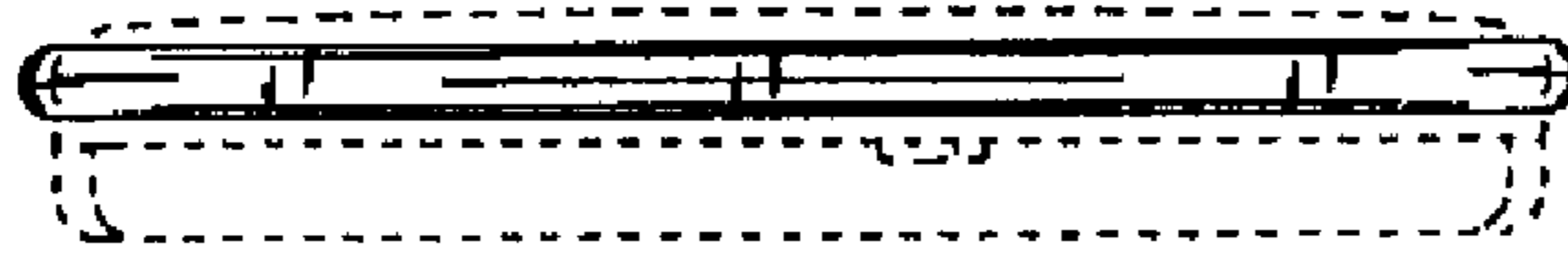


Fig. 7

UNITED STATES PATENT AND TRADEMARK OFFICE
CERTIFICATE OF CORRECTION

PATENT NO. : RE 40,094 E
APPLICATION NO. : 29/218399
DATED : February 26, 2008
INVENTOR(S) : Nakano

Page 1 of 6

It is certified that error appears in the above-identified patent and that said Letters Patent is hereby corrected as shown below:

Title page illustrating a figure(s) should be deleted, and replaced with title page illustrating a figure(s). (attached)

Delete drawing sheets 1-4, and replace with new drawing sheets 1-4. (attached)

This certificate supersedes the Certificate of Correction issued June 23, 2009.

Signed and Sealed this

Twenty-first Day of July, 2009



JOHN DOLL
Acting Director of the United States Patent and Trademark Office

(19) **United States**
 (12) **Reissued Patent**
Nakano

(10) **Patent Number: US RE40,094 E**
 (45) **Date of Reissued Patent: Feb. 26, 2008**

(54) **COMPUTER**

JP 10-14967 S 7/1998
 JP 11-18613 S 8/2001

(75) **Inventor: Rumi Nakano, Tokyo (JP)**

OTHER PUBLICATIONS

(73) **Assignee: Sony Corporation, Tokyo (JP)**

Home page "Apple I-Book", 2 pgs, Apple Computer Inc. (Mar. 2001).

(21) **Appl. No.: 29/218,399**

Catalog "If Design Award 1997, 1998 CF 25", 2 pgs, Panasonic (1997 & 1998).

(22) **Filed: Dec. 2, 2004**

Home page "PetitWeb", 4 pgs, NTT (Apr. 2000).

Related U.S. Patent Documents

Reissue of:

(64) **Patent No.: Des. 466,499**
Issued: Dec. 3, 2002
Appl. No.: 29/145,270
Filed: Jul. 20, 2001

* cited by examiner

Primary Examiner—Freda S. Nunn

(74) *Attorney, Agent, or Firm*—Rader, Fishman & Grauer, PLLC

(51) **LOC (8) Cl. 14-02**

(52) **U.S. Cl. D14/328**

(58) **Field of Classification Search D14/315, D14/322, 327, 328; D18/1, 2, 7, 11; 235/145 A, 235/145 R; 341/22, 23; 345/104, 156, 168, 345/169, 173; 361/680-686**

See application file for complete search history.

(57) **CLAIM**

The ornamental design for a computer, as shown and described.

DESCRIPTION

FIG. 1 is a perspective view of a computer showing my new design;

FIG. 2 is a front elevational view thereof;

FIG. 3 is a rear elevational view thereof;

FIG. 4 is a left side elevational view thereof;

FIG. 5 is a right side elevational view thereof;

FIG. 6 is a top plan view thereof; and,

FIG. 7 is a bottom plan view thereof.

Portions of FIGS. 1 and 4 that are shown as broken lines are for illustrative purpose only and form no part of the claimed design.

(56) **References Cited**

U.S. PATENT DOCUMENTS

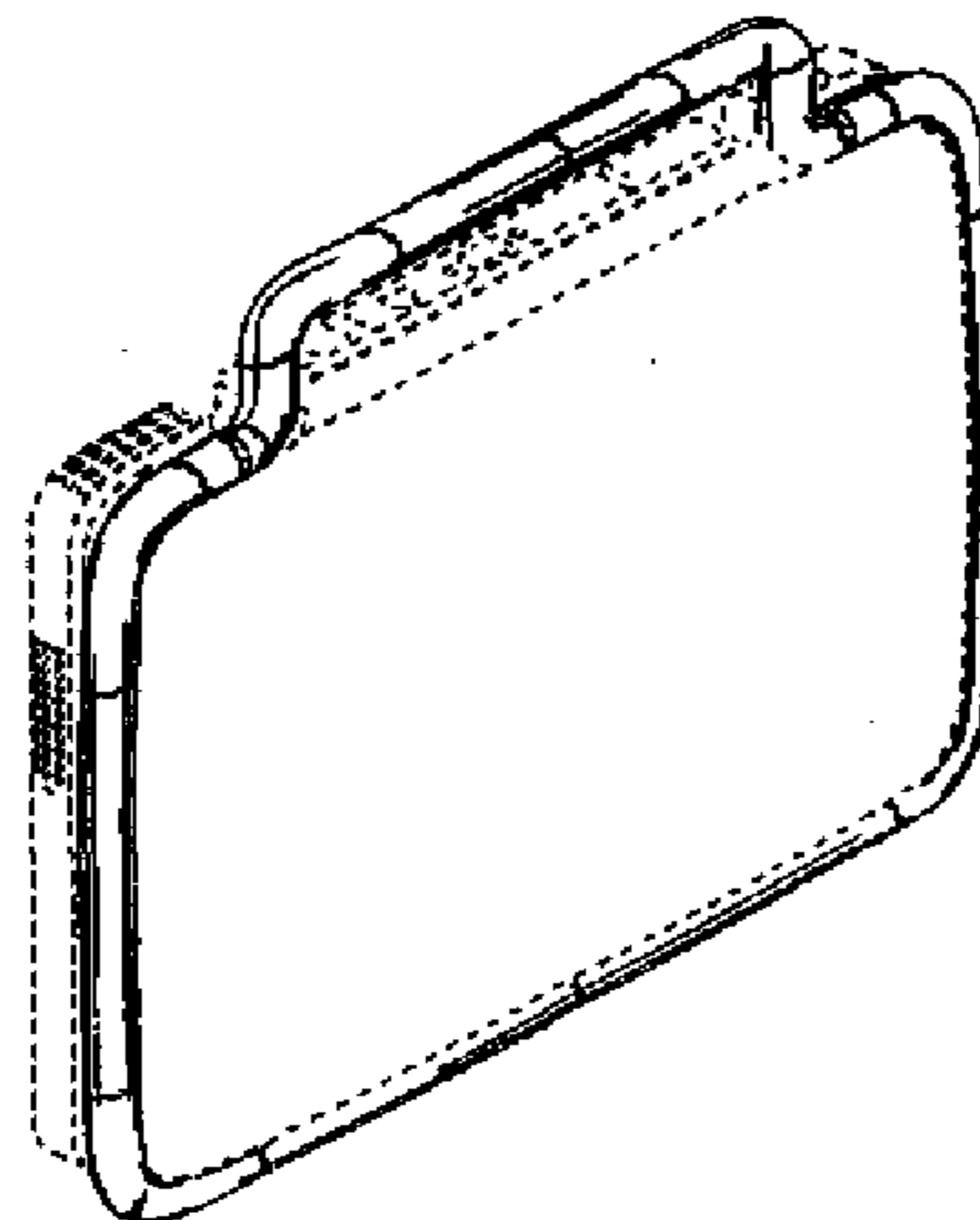
D310,517 S * 9/1990 Hara et al. D14/324
 D313,403 S * 1/1991 Esslinger et al. D14/324
 D334,738 S * 4/1993 Kim D14/324
 D392,625 S * 3/1998 Tang et al. D14/324
 D430,156 S * 8/2000 Yamada D14/328

FOREIGN PATENT DOCUMENTS

JP 894367 3/1994
 JP 8-94367 S 3/1994
 JP 938677 11/1995
 JP 9-38677 S 11/1995
 JP 946656 2/1996
 JP 9-46656 S 2/1996
 JP 955287 6/1996
 JP 9-55287 S 6/1996
 JP 1014967 7/1998

1 Claim, 4 Drawing Sheets

Matter enclosed in heavy brackets [] appears in the original patent, but forms no part of this reissue; matter printed in italics indicates the additions made by reissue.



U.S. Patent

Feb. 26, 2008

Sheet 1 of 4

RE40,094 E

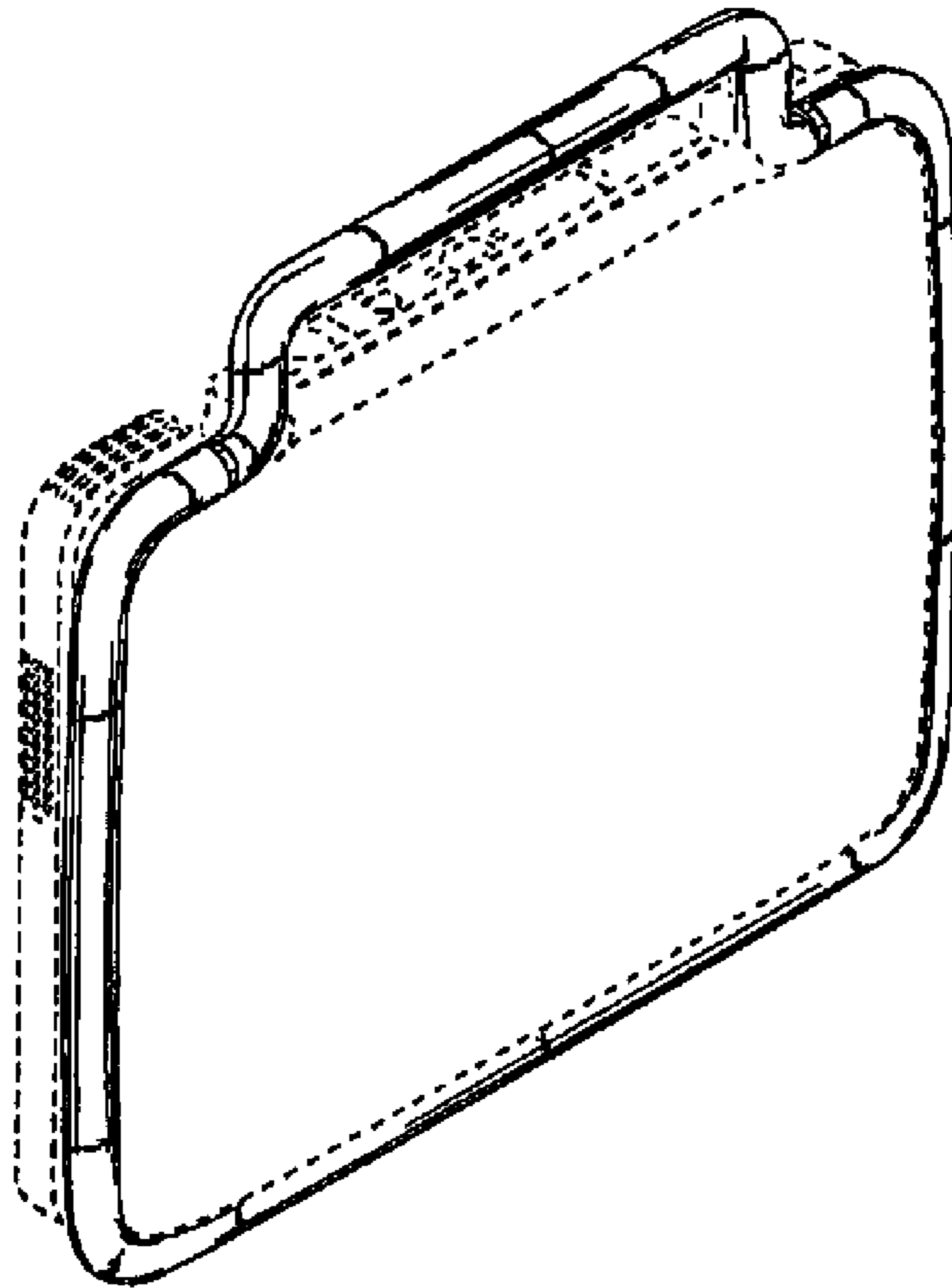


Fig.1

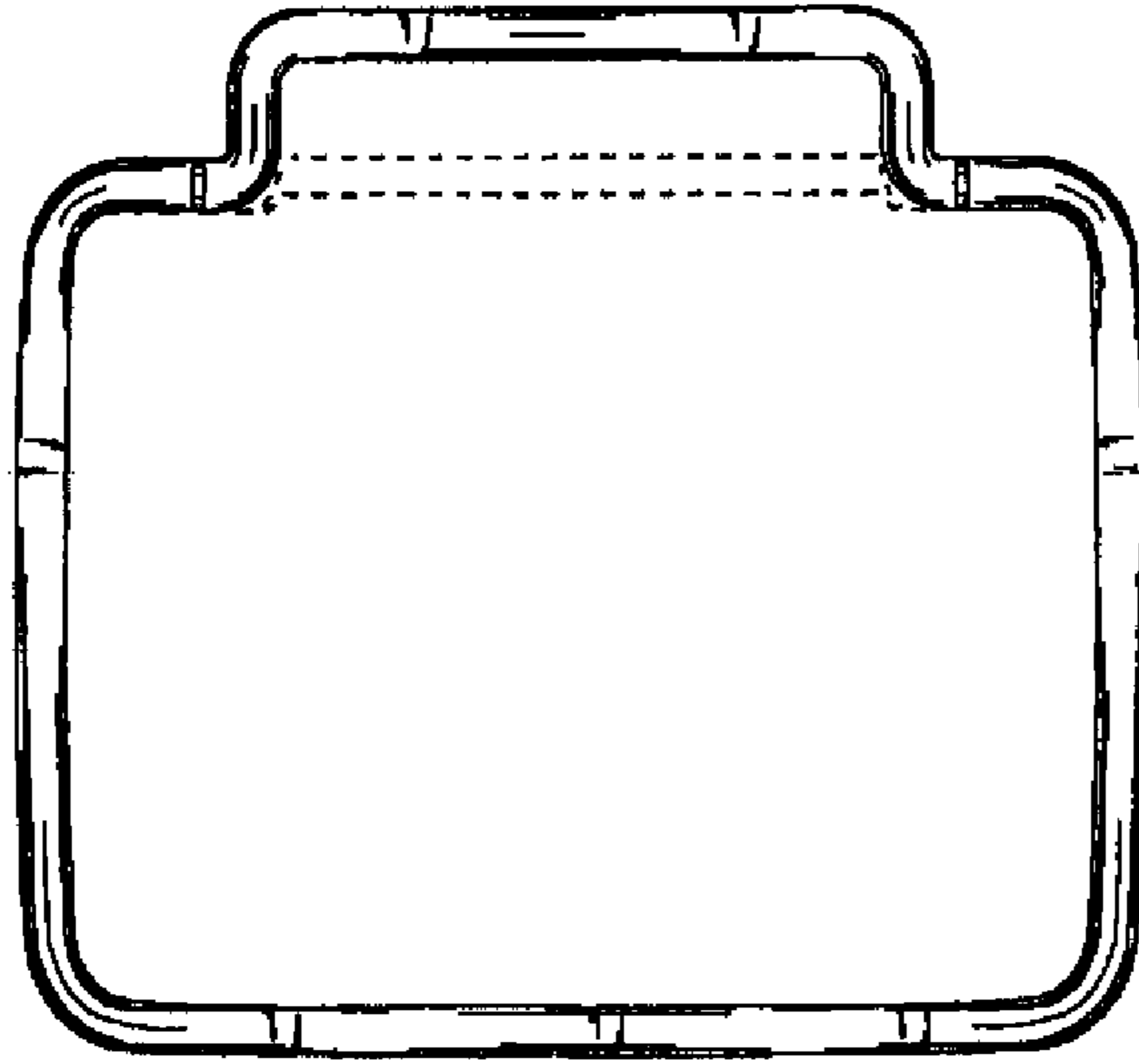


Fig.2

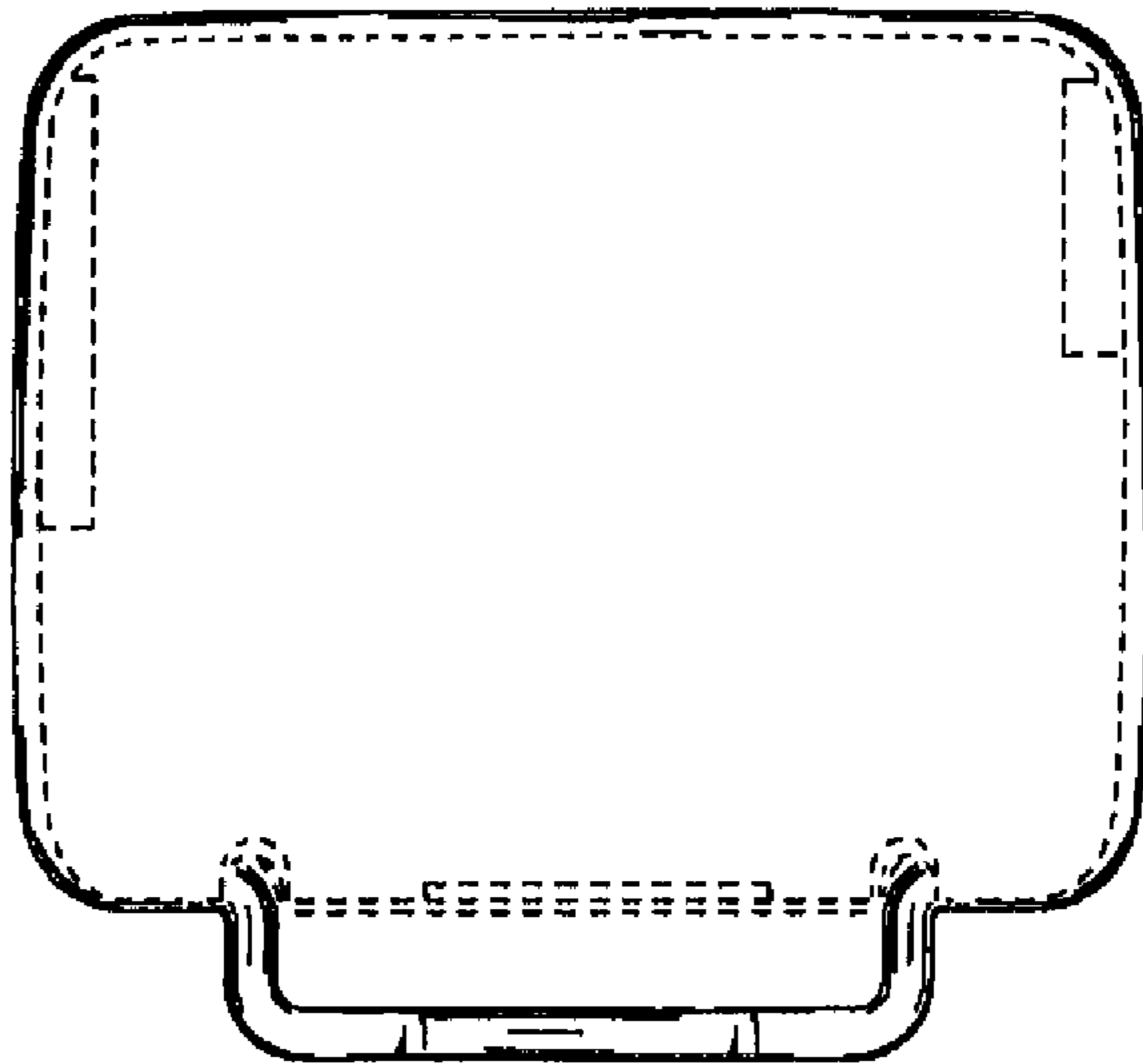


Fig.3



Fig. 4



Fig. 5

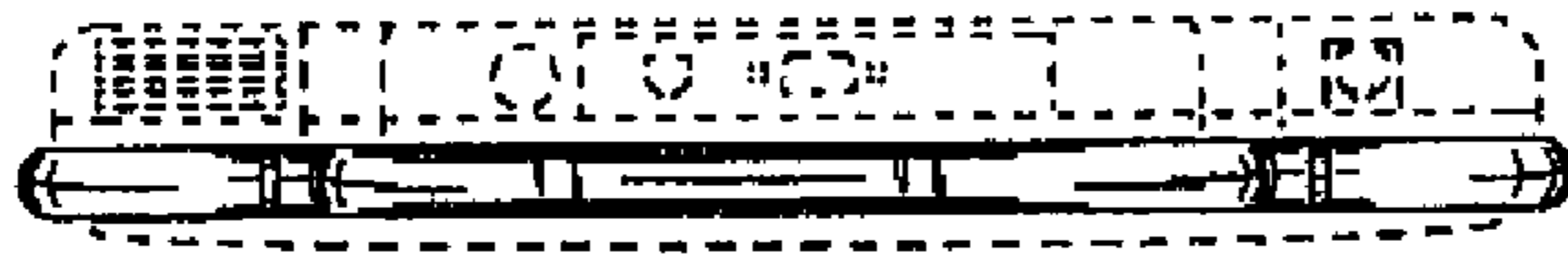


Fig. 6

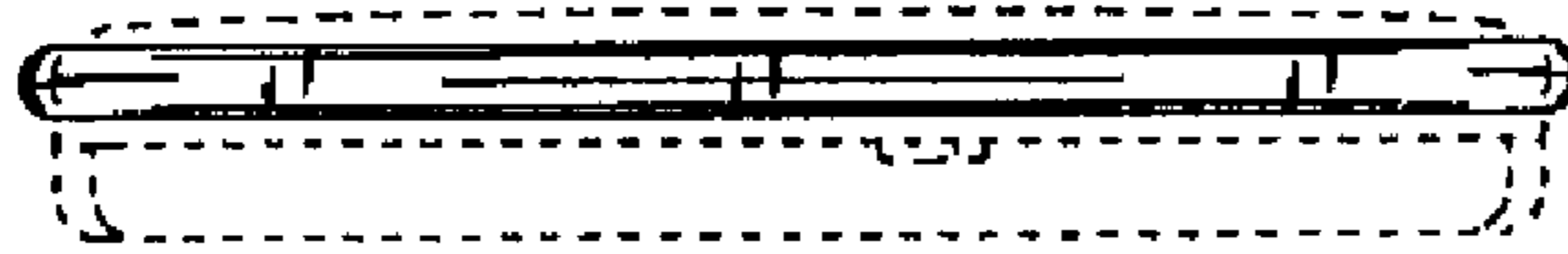


Fig. 7