



US00RE39973E

(19) **United States**
(12) **Reissued Patent**
Spence et al.

(10) **Patent Number:** **US RE39,973 E**
(45) **Date of Reissued Patent:** **Jan. 1, 2008**

(54) **METALLIC SEAL**

(75) Inventors: **John Loyd Spence**, Severna Park, MD (US); **Kevin R. Felber**, Clarksville, MD (US)

(73) Assignee: **PerkinElmer, Inc.**, Wellesley, MA (US)

(21) Appl. No.: **10/876,288**

(22) Filed: **Jun. 25, 2004**

Related U.S. Patent Documents

Reissue of:

(64) Patent No.: **6,409,180**
Issued: **Jun. 25, 2002**
Appl. No.: **09/556,815**
Filed: **Apr. 21, 2000**

(51) **Int. Cl.**
F16J 15/02 (2006.01)

(52) **U.S. Cl.** **277/608; 277/644; 277/647; 277/910; 277/626**

(58) **Field of Classification Search** **277/608, 277/626, 647, 644, 910**
See application file for complete search history.

(56) **References Cited**

U.S. PATENT DOCUMENTS

3,012,802	A	*	12/1961	Waite	277/612
3,033,582	A	*	5/1962	Creavey	277/612
3,275,335	A	*	9/1966	Johnson et al.	277/612
4,477,087	A	*	10/1984	Sutter, Jr. et al.		
4,807,514	A	*	2/1989	Gartzmuller	277/626
6,042,121	A	*	3/2000	Ma et al.	277/608
6,241,254	B1	*	6/2001	Gromyko et al.	277/626
6,409,180	B1	*	6/2002	Spence et al.	277/608

FOREIGN PATENT DOCUMENTS

EP 0930452 A1 * 7/1999

GB	849803	*	9/1960
GB	926789	*	5/1963
GB	1368773	*	10/1974
GB	1533404	*	11/1978
GB	2327474 A	*	1/1999

* cited by examiner

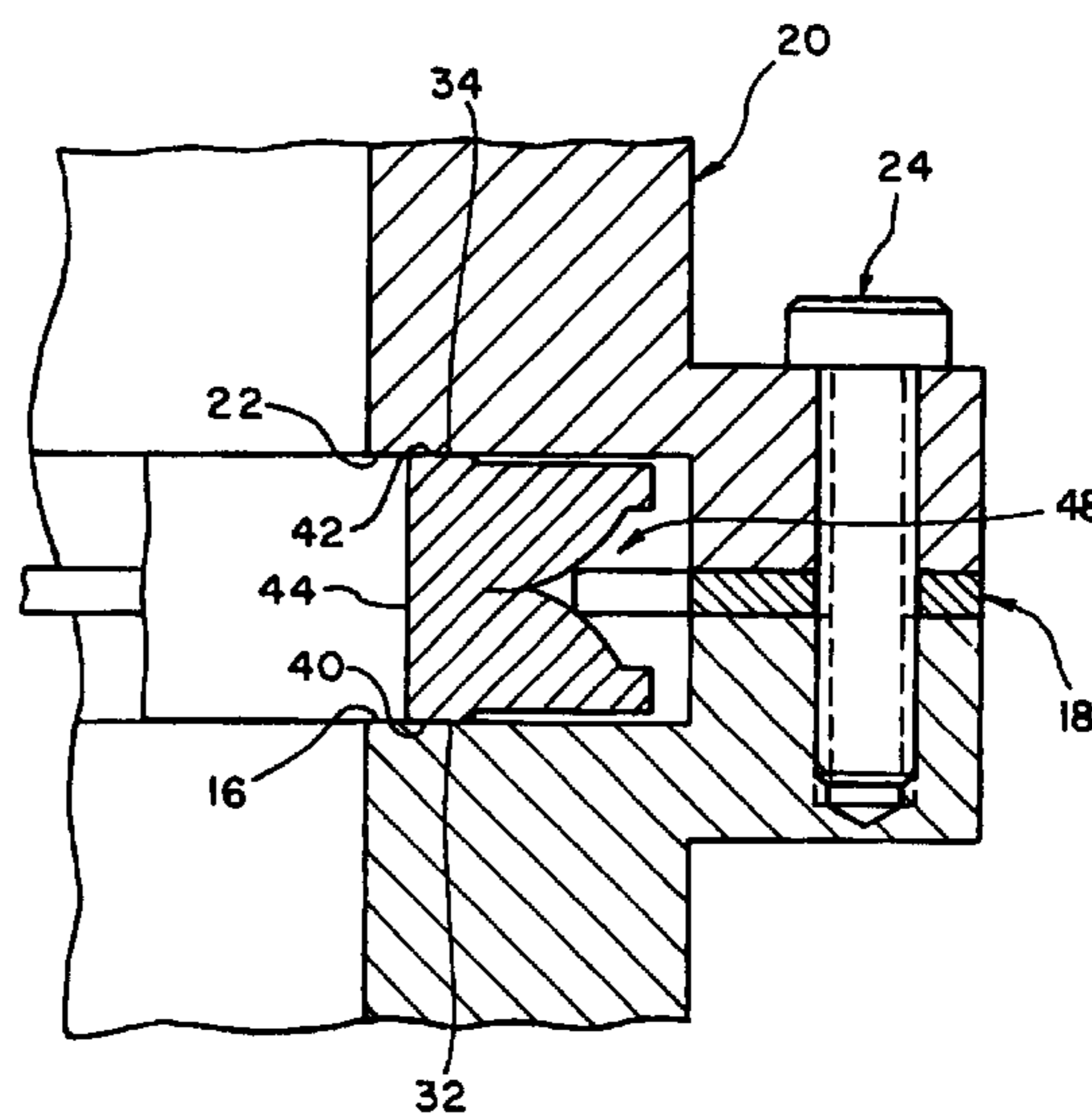
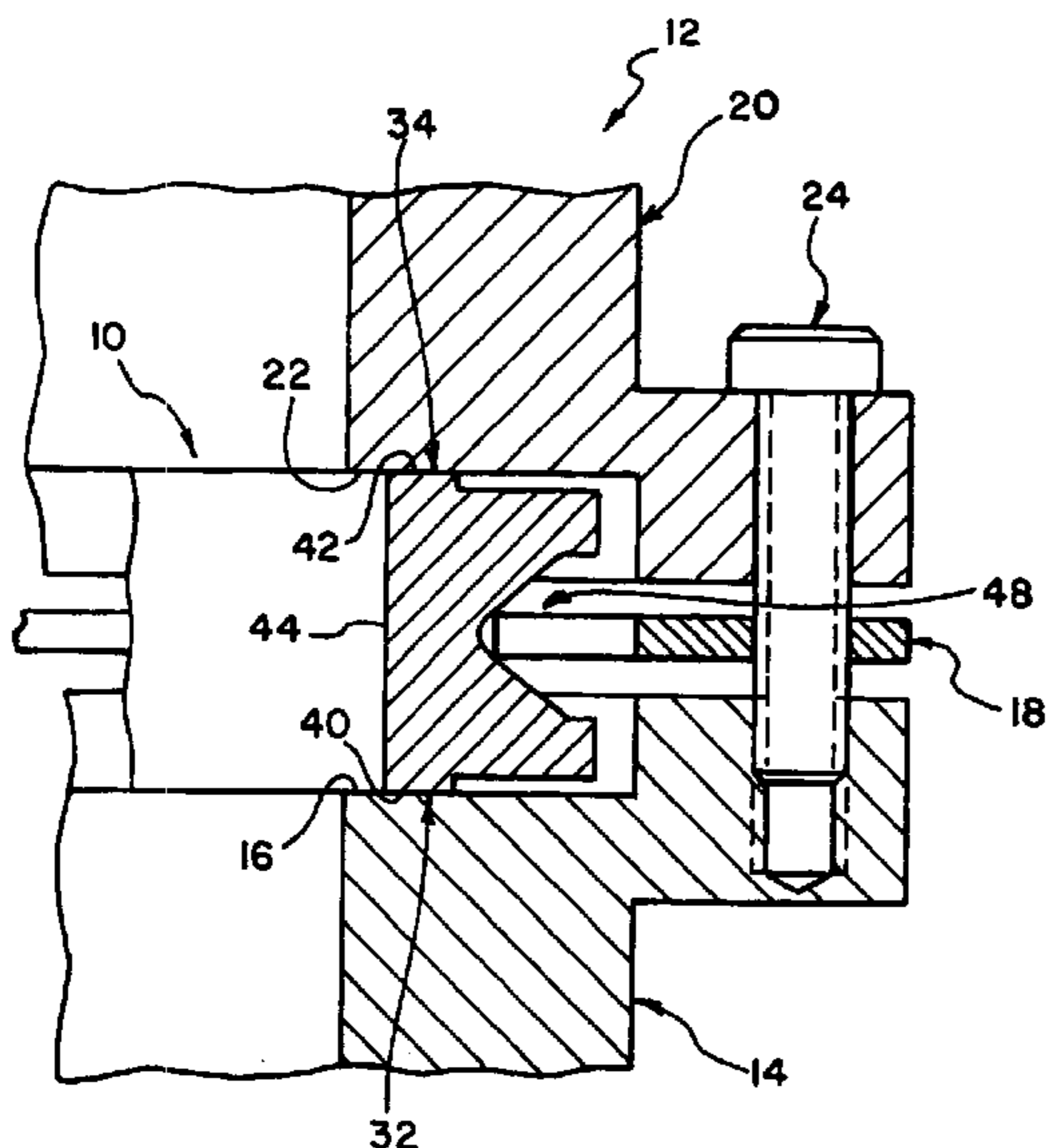
Primary Examiner—Michael Safavi

(74) *Attorney, Agent, or Firm*—Global IP Counselors, LLP

(57) **ABSTRACT**

A metallic seal is provided that concentrates the available load over a narrow band to produce a sealing dam over a sufficient width to minimize leakage on a molecular level. The metallic seal has a first annular beam section, a second annular beam section, and inner and outer surfaces extending between the first and second annular beam sections. One of the inner and outer surfaces has an annular recess that at least partially defines an annular column section of material extending substantially perpendicular between said first and second annular beam sections thereto. The first annular beam section has a first non-sealing surface and a first raised portion with a first annular sealing surface facing in a first axial direction to contact a first member for creating a first annular sealing dam therebetween. The second annular beam section has a second non-sealing surface and a first raised portion with a second annular sealing surface facing in a second axial direction, which is opposite to the first axial direction, to contact a second member for creating a second annular sealing dam therebetween. The annular inner surface extends between the first and second sealing surfaces to form a central passageway. The metallic seal is used to create a seal between a pair of mating surfaces of a first member and a second member. First and second members are coupled together by a plurality of fasteners or bolts. By tightening the fasteners the seal is loaded, and thus, compressed to plastically deform and create an annular seal between the first and second members.

26 Claims, 8 Drawing Sheets



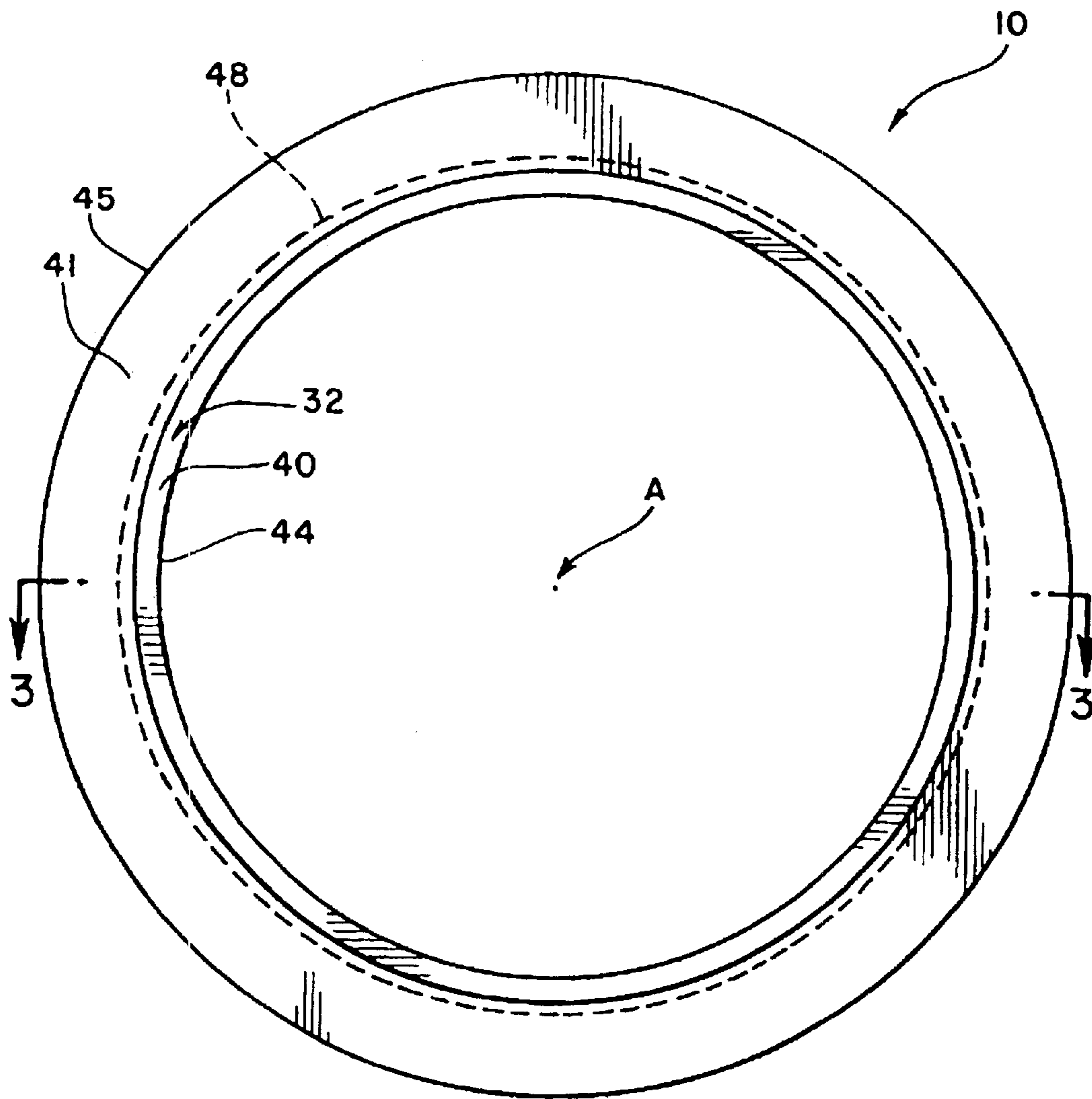
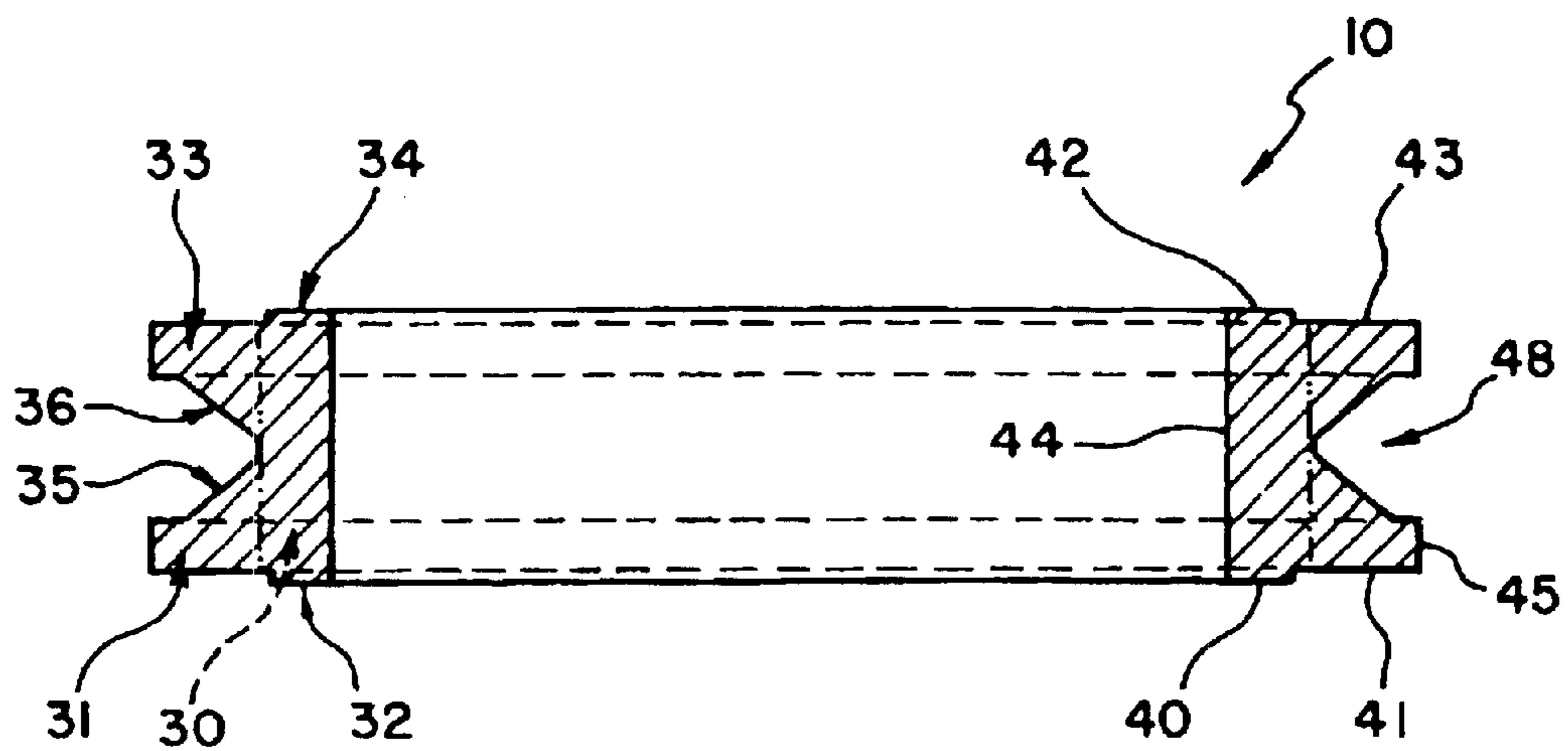
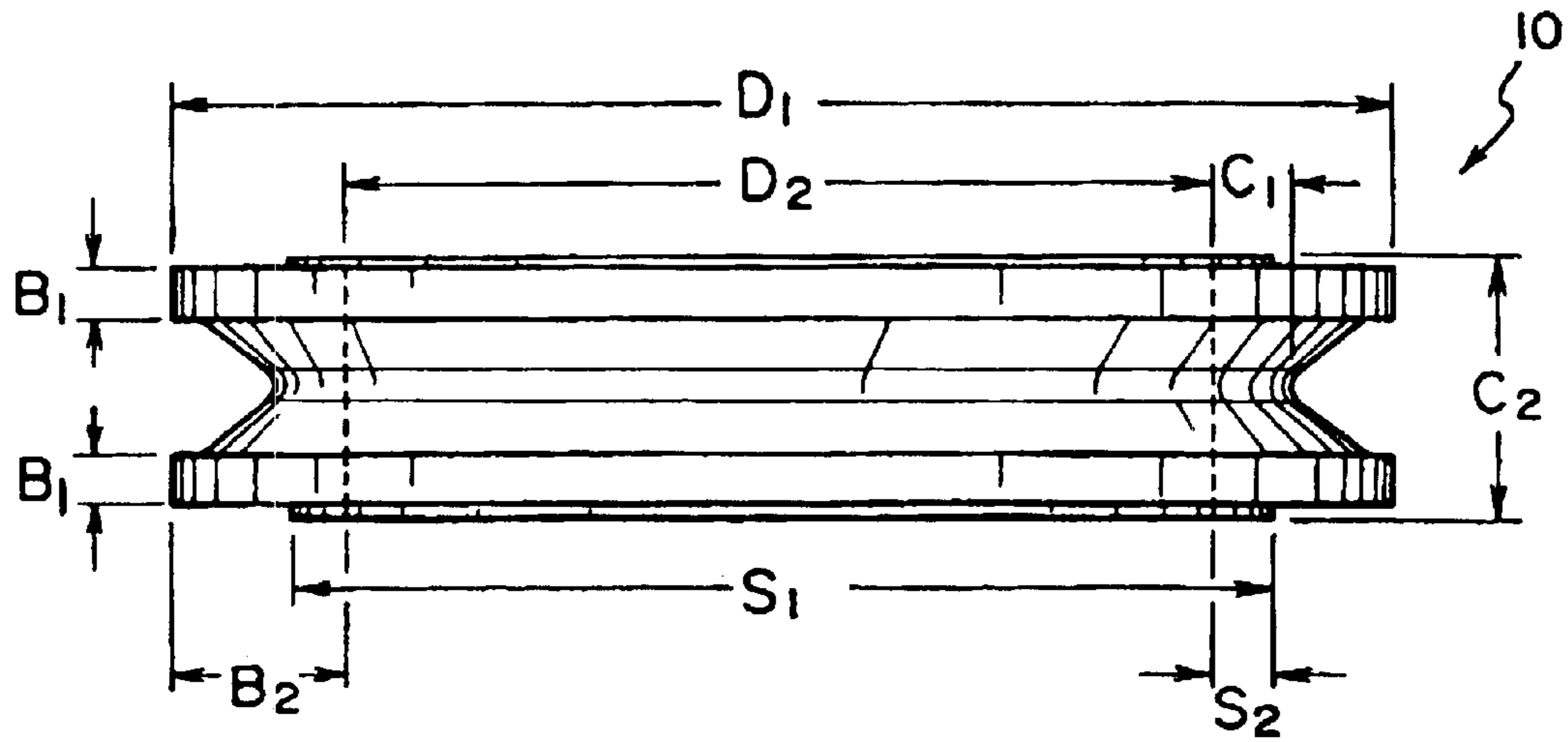


FIG. 1



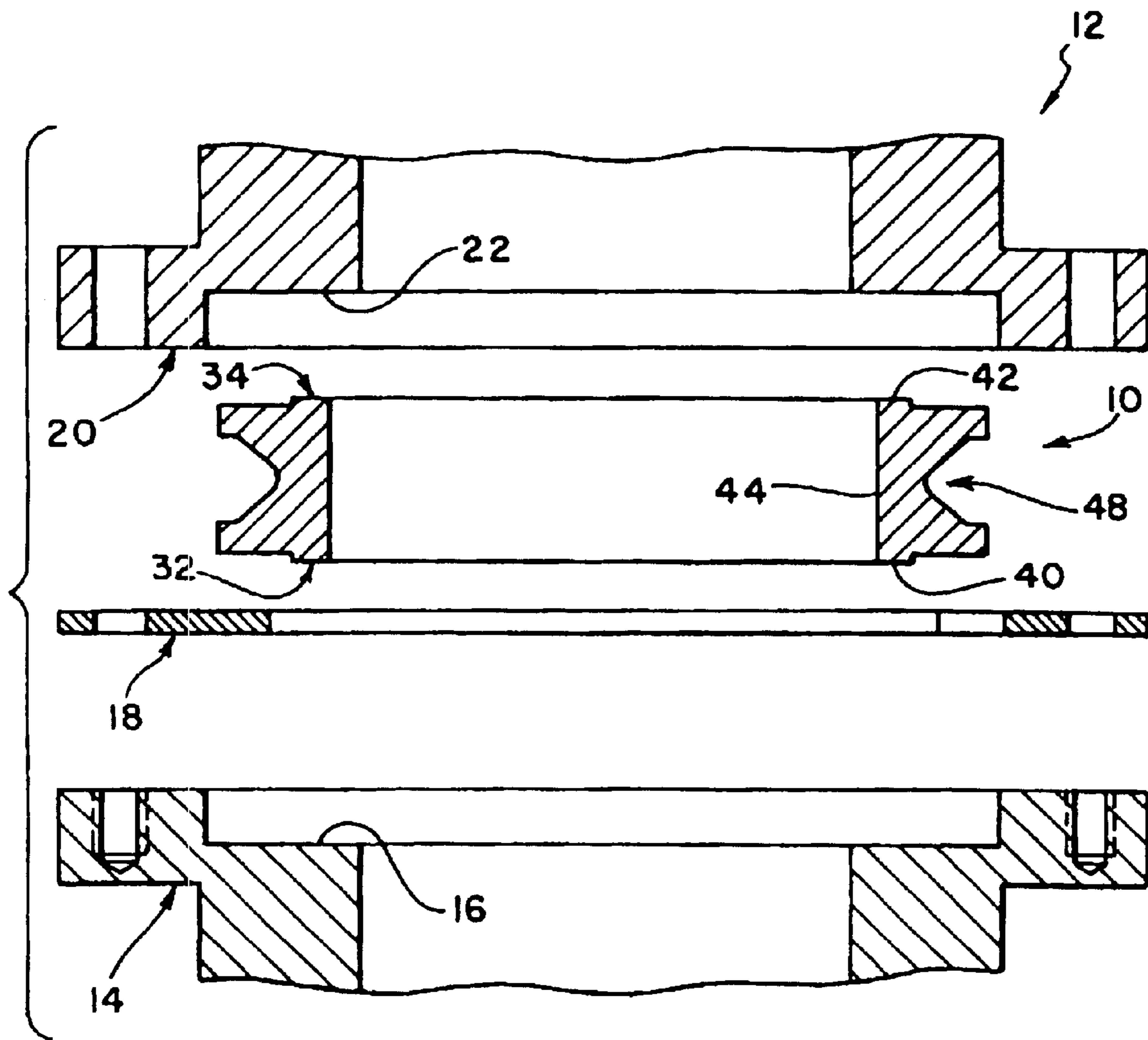


FIG. 4

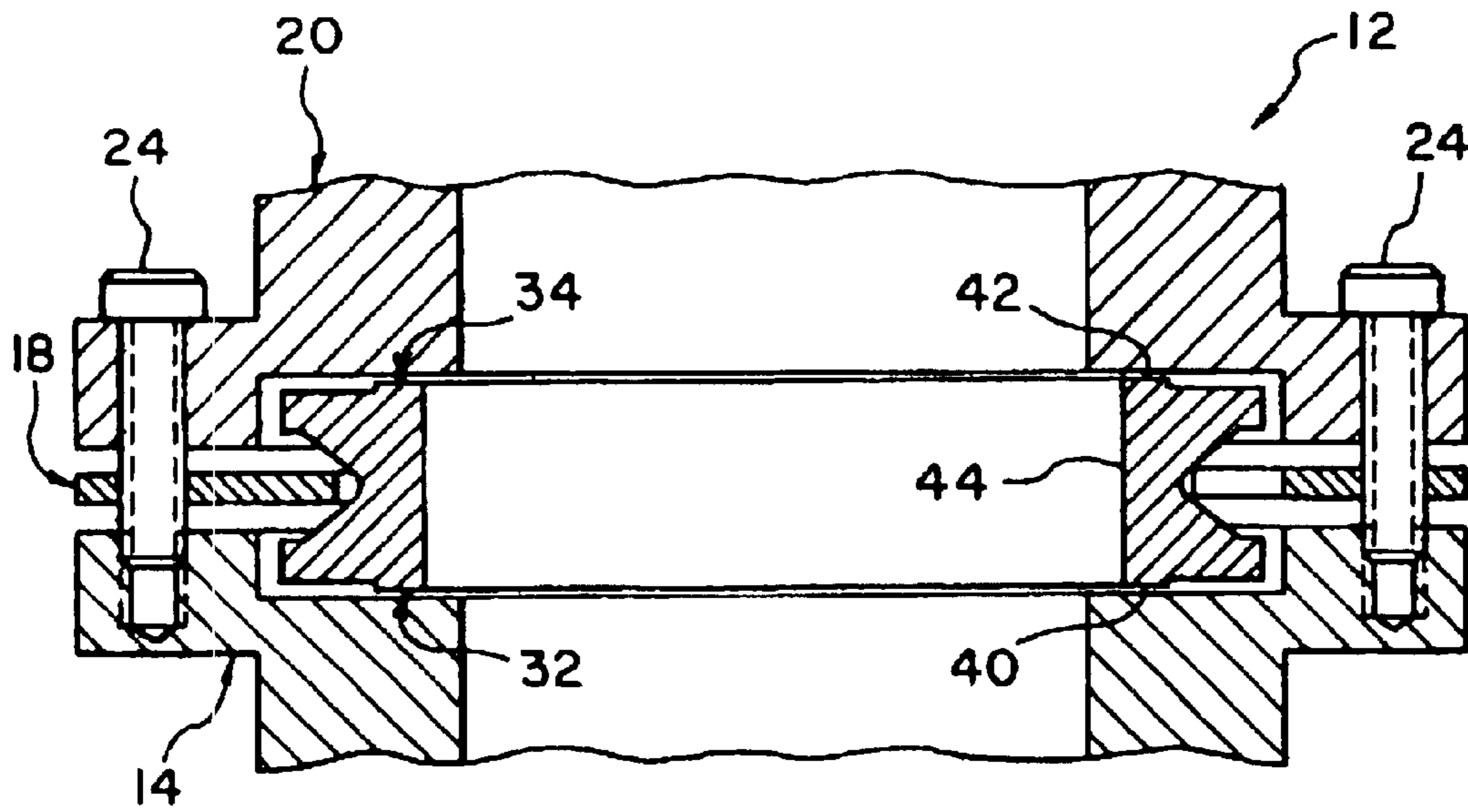


FIG. 5

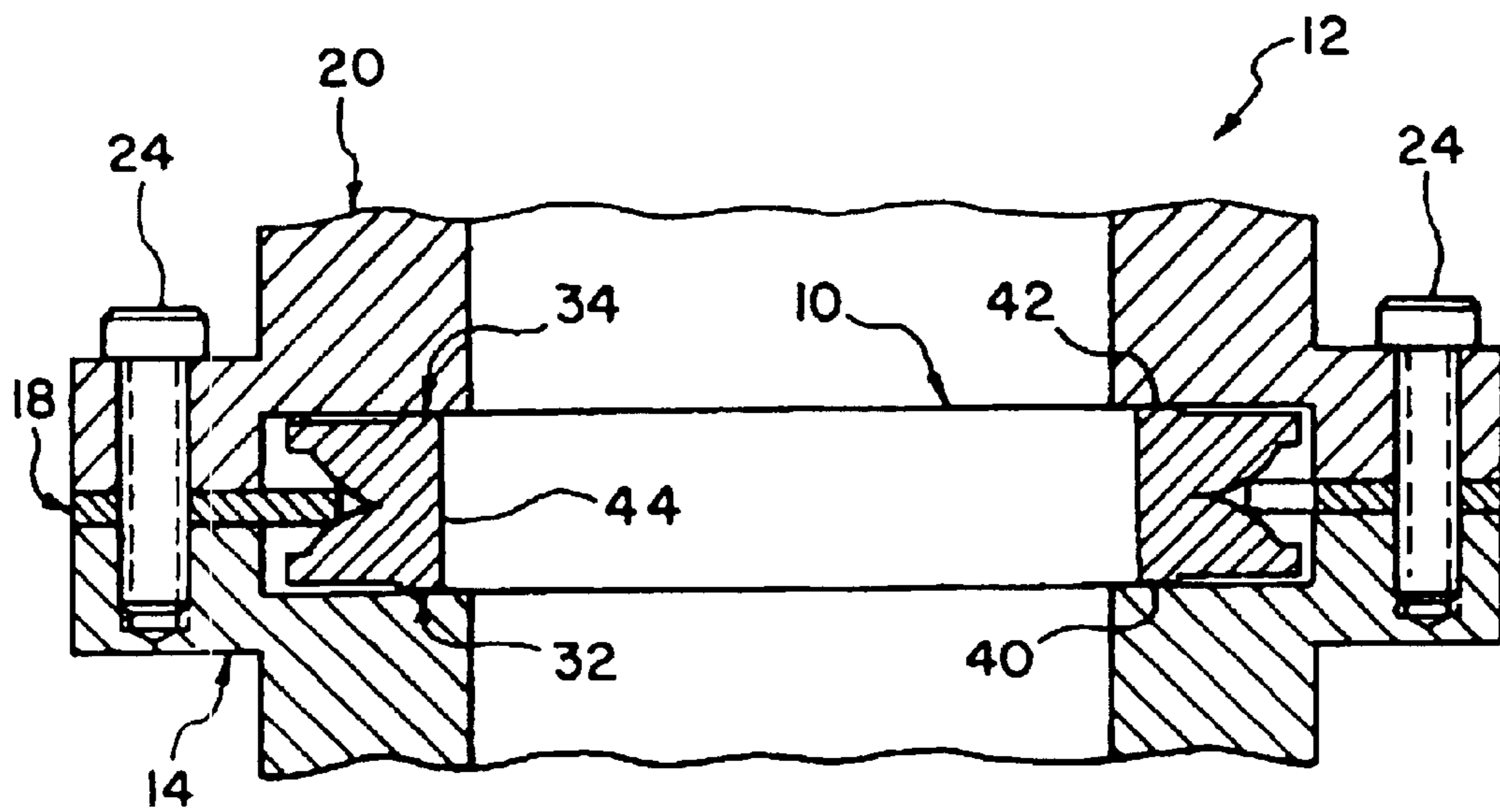


FIG. 6

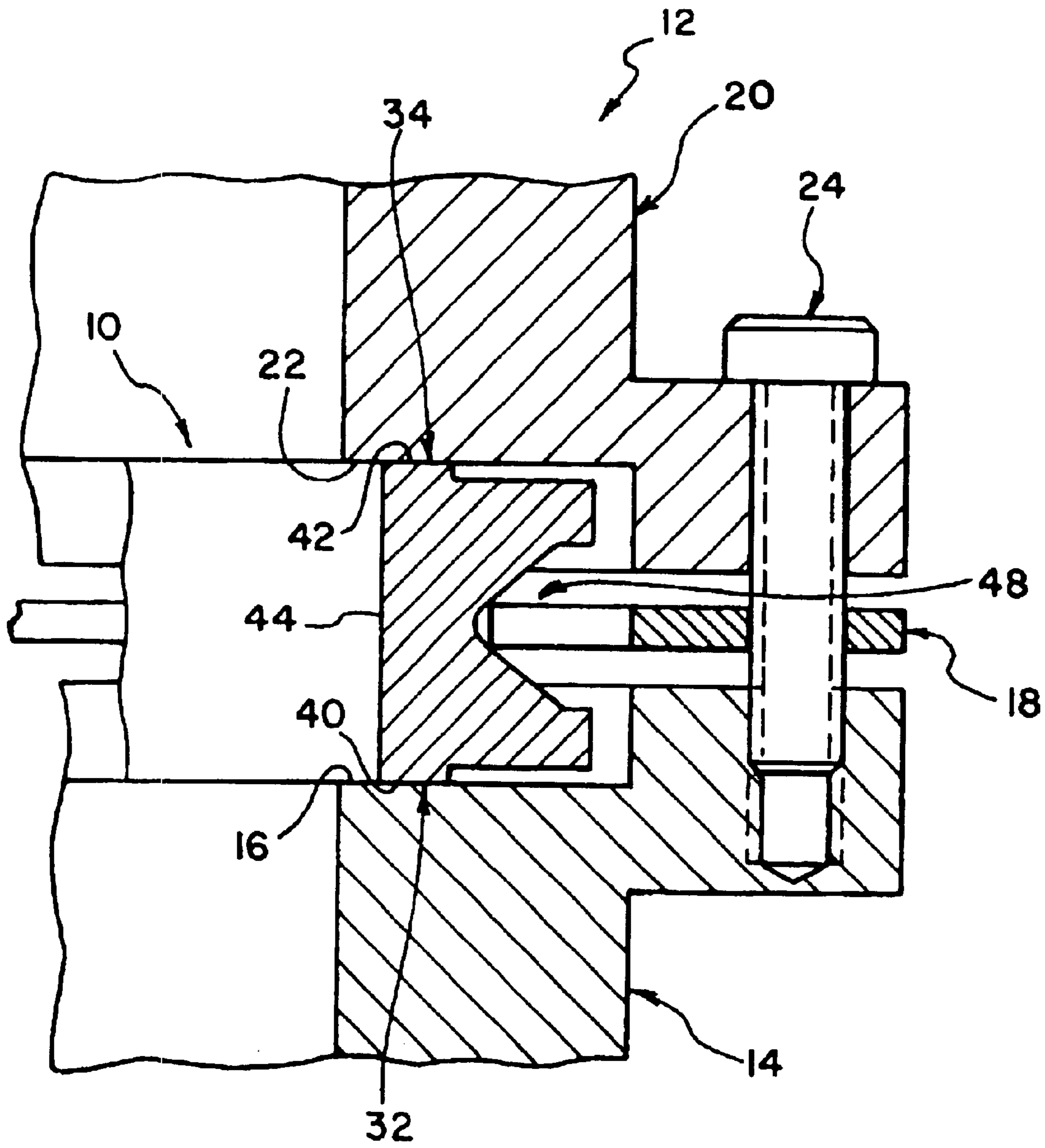


FIG. 7

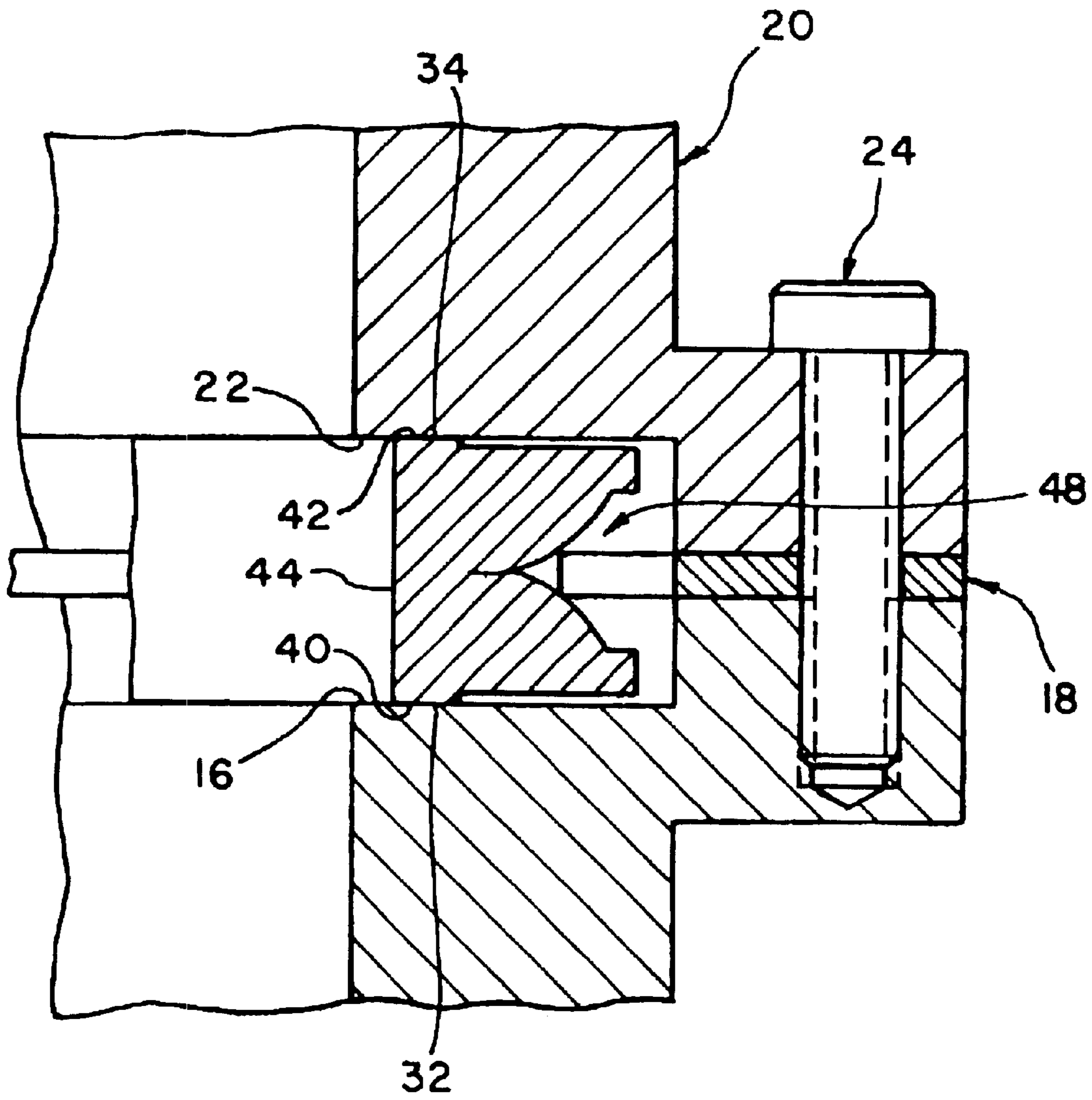


FIG. 8

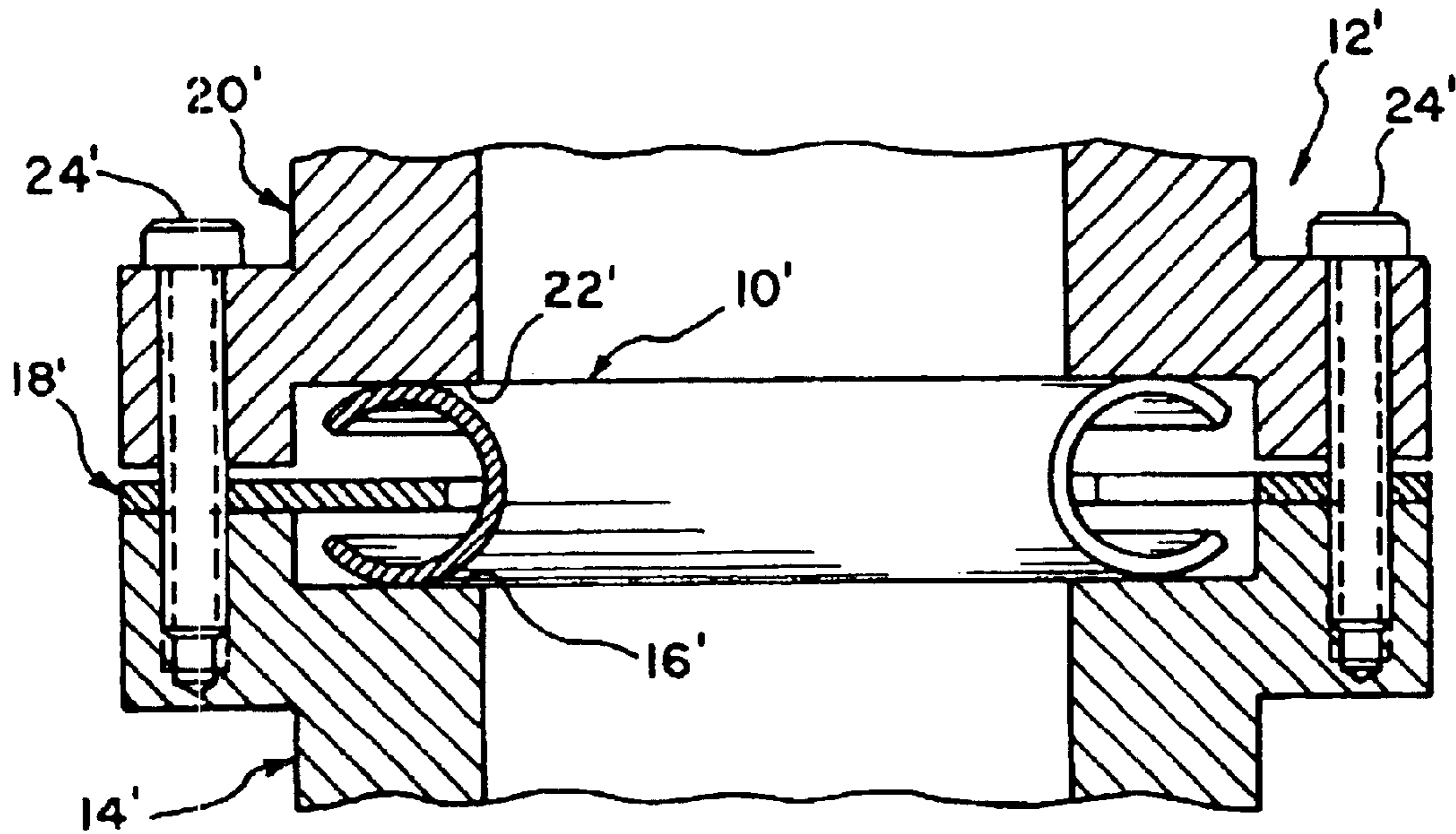
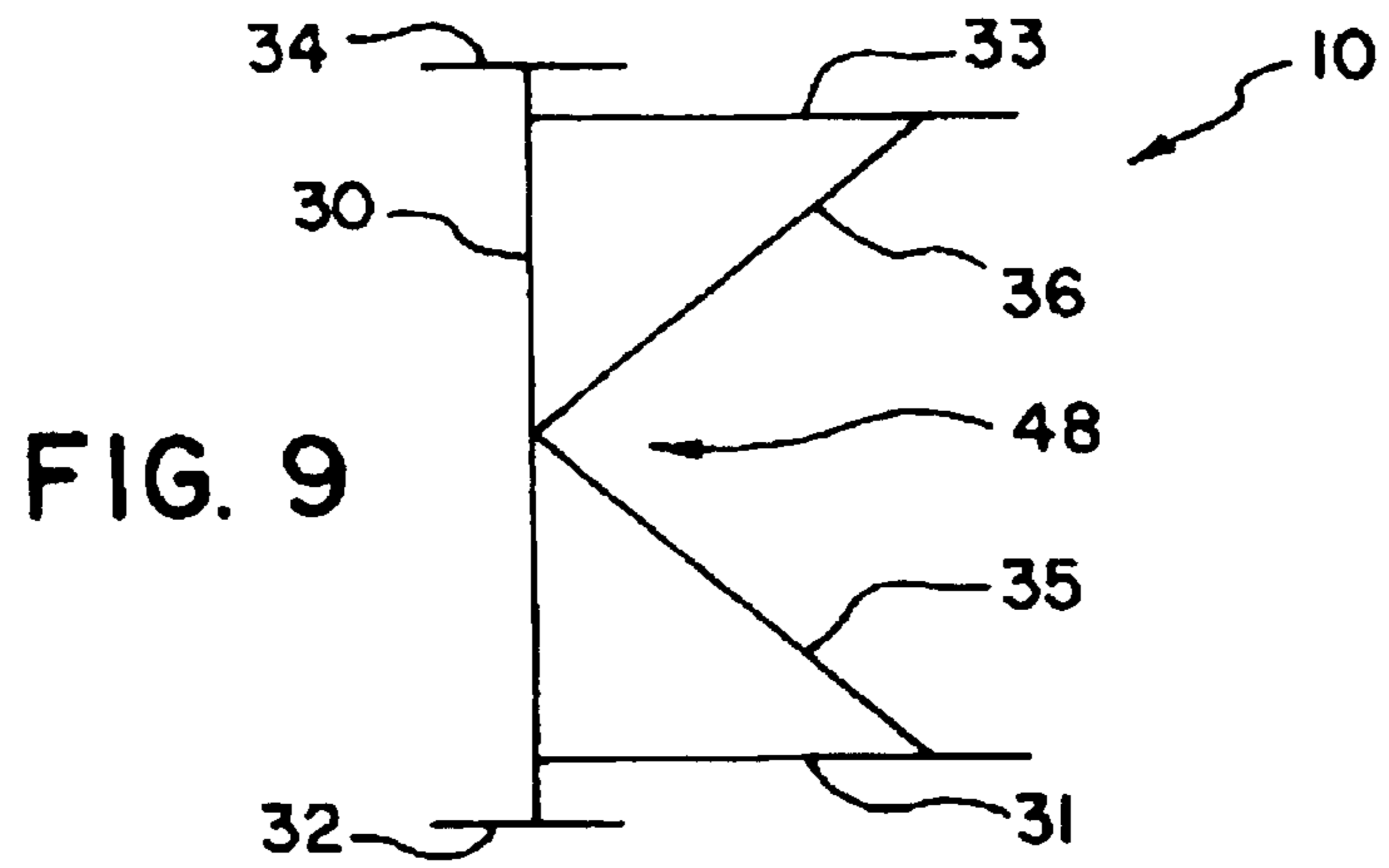


FIG. 10
(PRIOR ART)

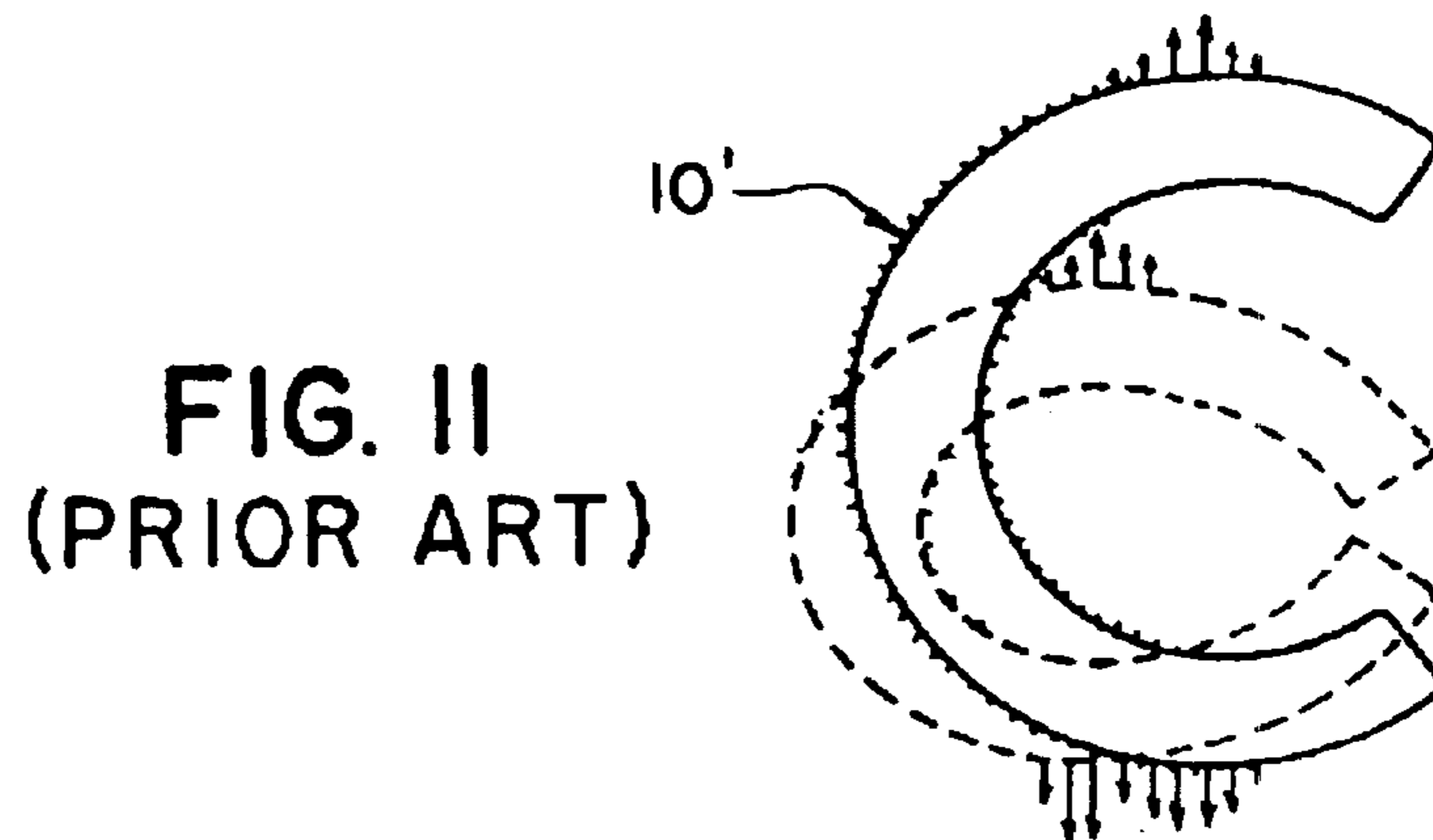


FIG. 11
(PRIOR ART)

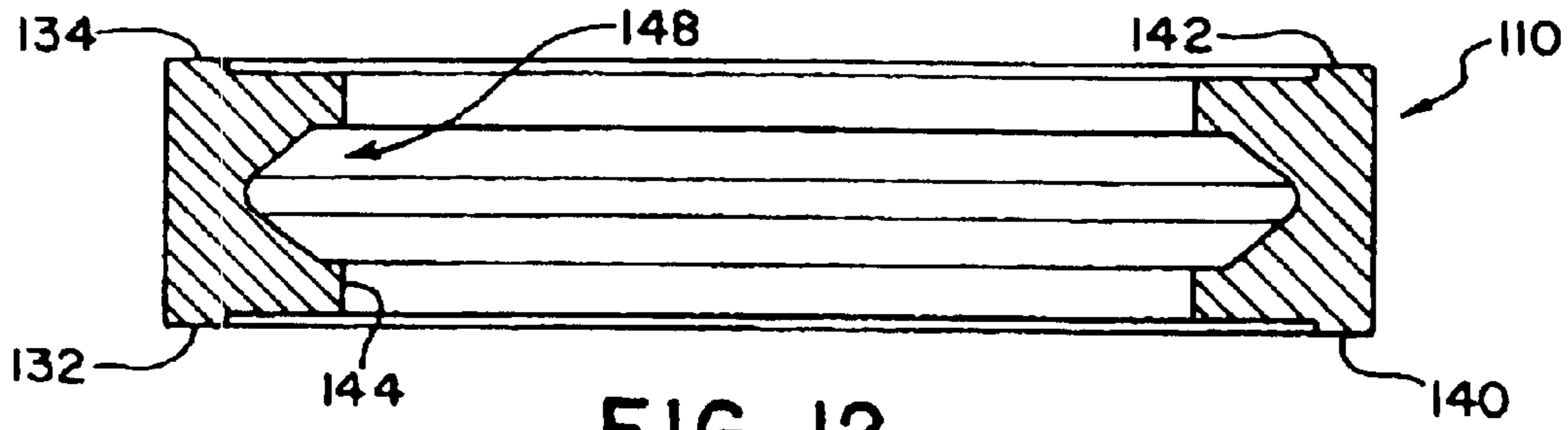


FIG. 12

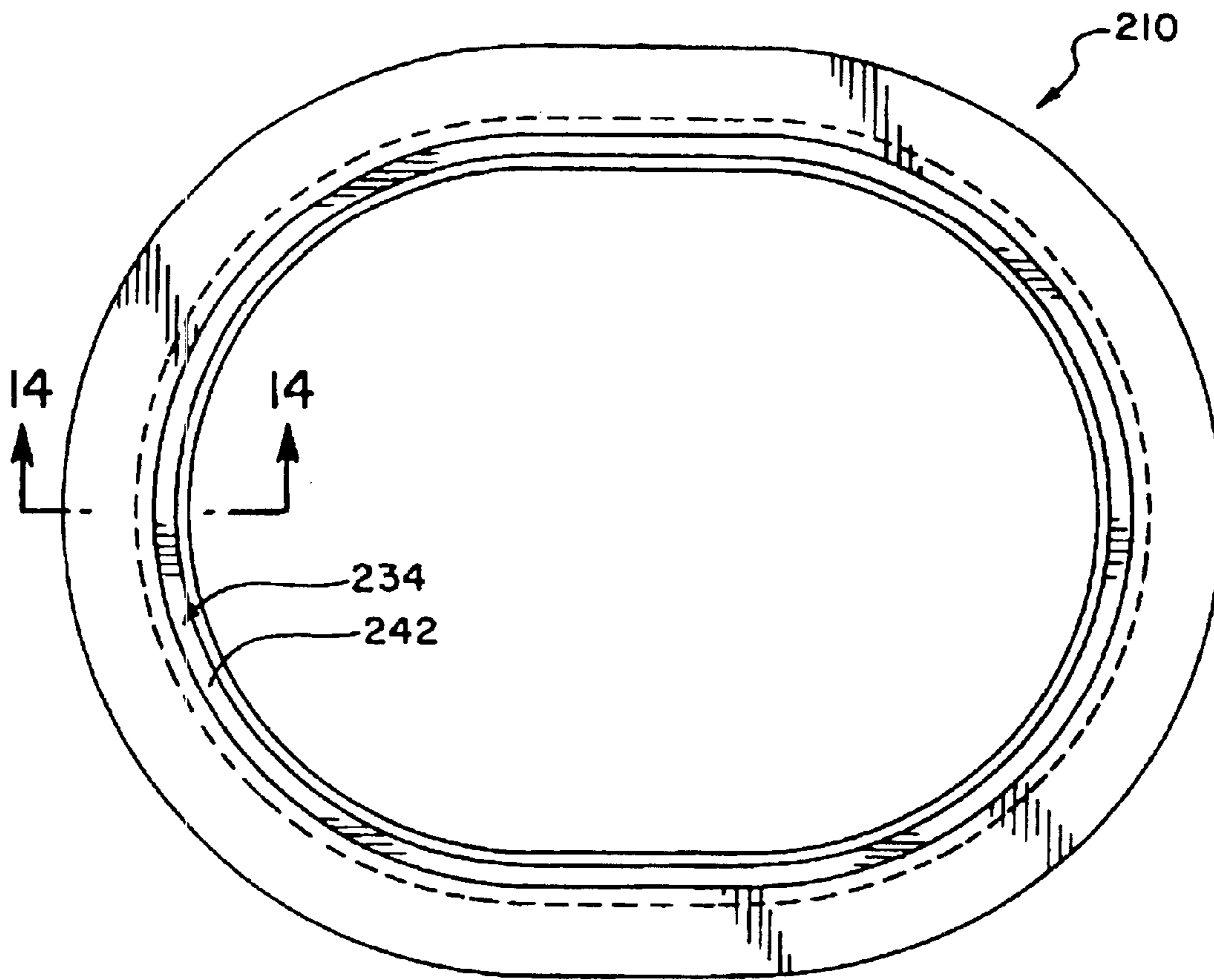


FIG. 13

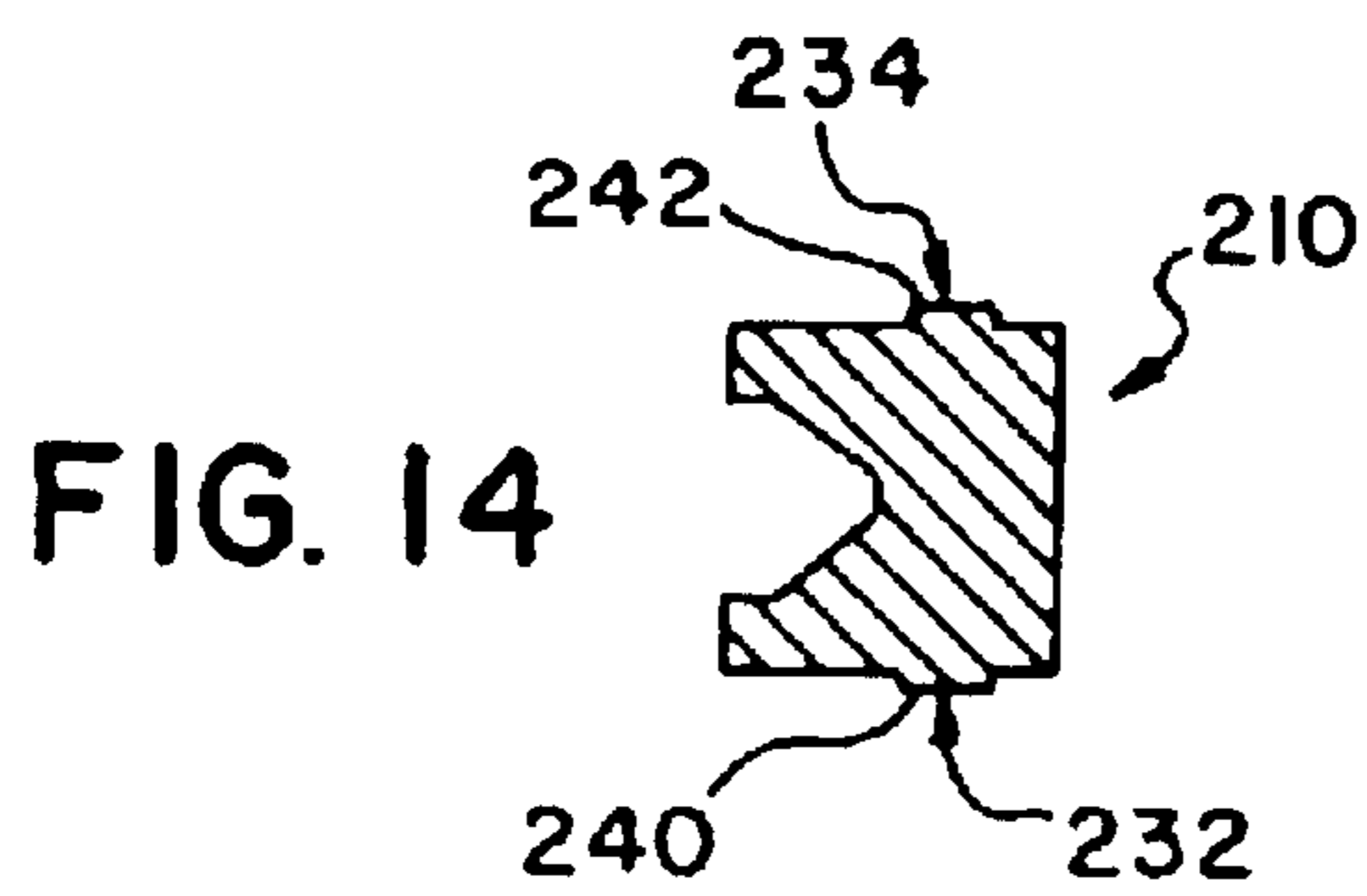


FIG. 14

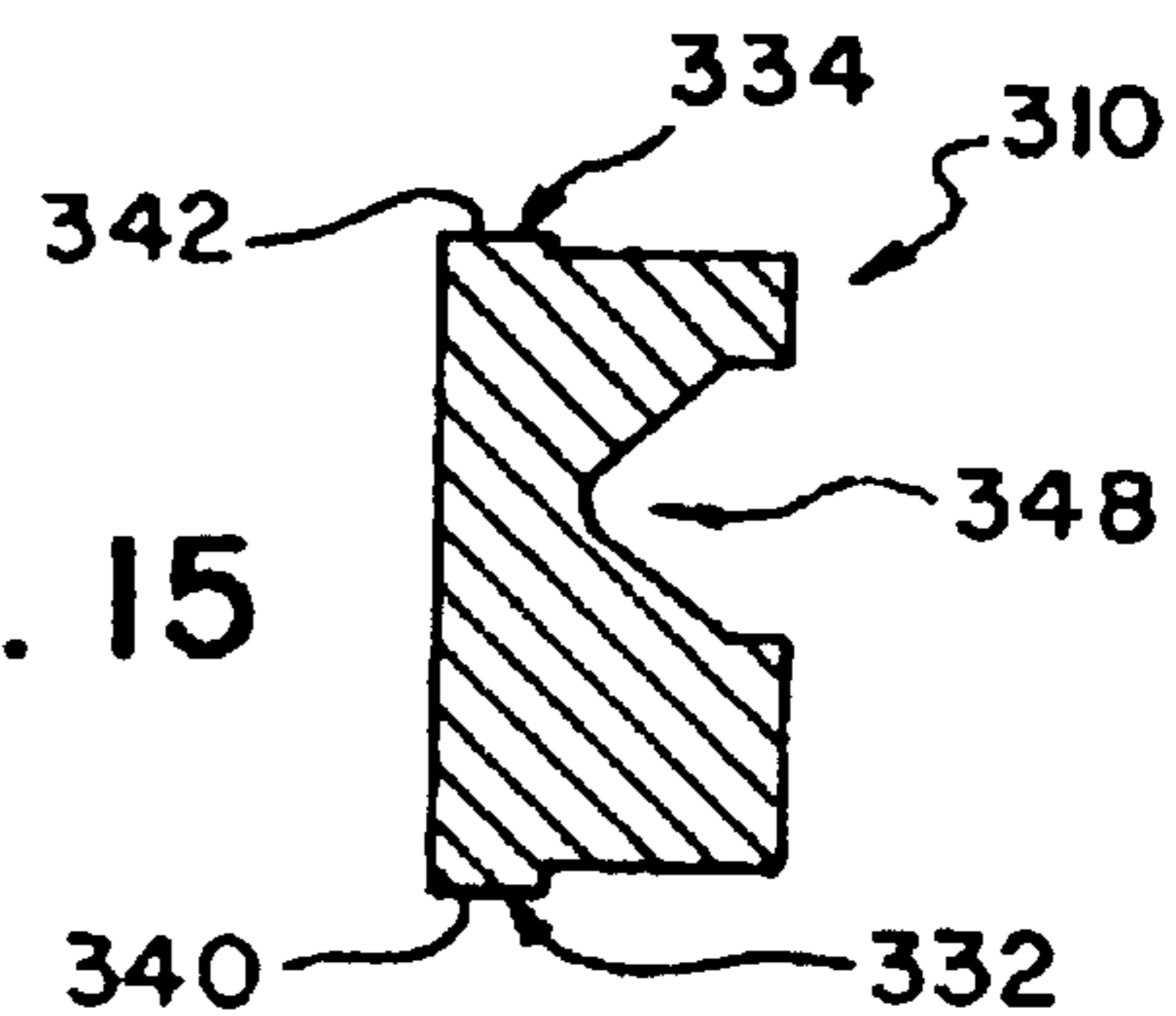


FIG. 15

1

METALLIC SEAL

Matter enclosed in heavy brackets [] appears in the original patent but forms no part of this reissue specification; matter printed in italics indicates the additions made by reissue.

BACKGROUND OF THE INVENTION

1. Field of the Invention

The present invention generally relates to a metallic seal for creating a seal between a pair of members. More specifically, the present invention relates to a seal that provides a highly reliable seal by concentrating the available load over a narrow band (small sealing area equaling high contact stress) to produce a high quality sealing dam over a sufficient width to minimize leakage on a molecular level.

2. Background Information

A typical static seal assembly has a first member with a first mating surface, an annular seal of suitable sealing material (e.g., metal O-ring), and a second member with a second mating surface. A mechanical load is applied to the seal through the first and second mating surfaces of the members. Typically, the mechanical load is created by torquing down a multitude of fasteners such that a displacement, also known as compression, occurs between the sealing surfaces. The net loading of the contact surfaces creates the two sealing lines.

The low leakage requirement can be achieved by compressing a solid metal ring of rectangular cross-section with a sufficient force. One problem with a solid metal ring is that the force created could be of sufficient magnitude to cause plastic deformation of the mating surfaces of the members. This plastic deformation of the mating surface is called brinelling. Once brinelled, the probability of proper re-sealing is drastically reduced without first repairing the damaged sealing surfaces.

The design requirements for static sealing therefore requires an optimum load level and flexibility. A good static seal when compressed must be able to generate load levels large enough to seal, but not large enough to brinell the cavity surface. Currently, there are many types of metallic seals in the prior art.

The metallic "O" rings were an early effort to meet these conflicting design requirements. However, the resiliency of this type of seal is rather limited because the "O" ring, whether solid or hollow, is usually too stiff, and is inherently expensive. The development of the C-shaped seal was an improvement to the "O" ring. In particular, by simply discarding a portion of the "O", the hoop restraint of the seal is greatly reduced and the seal becomes more flexible. However, the basic "C" seals typically cannot reach the desirable standard vacuum level of 1×10^{-9} cc/sec He leakage rate or better without modification and without being coated with very soft plating materials. Some previous C-shaped seals have been designed to provide this level of seal integrity.

In view of the above, it will be apparent to those skilled in the art that there exists a need for an improved seal with optimized sealing areas that minimizes brinelling and shifting of the sealing line. This invention addresses this need in the art as well as other needs, which will become apparent to those skilled in the art once given this disclosure.

SUMMARY OF THE INVENTION

One object of the present invention is to provide a highly reliable metallic seal that is relatively inexpensive to manufacture.

2

Another object of the present invention is to provide a metallic seal, which has geometrically simple cross sections, and can be manufactured with existing equipment in large quantities with tight tolerances.

Still another object of the present invention is to provide a highly reliable metallic seal which concentrates the available load over a narrow band which minimizes the required load to compress the seal by optimizing the sealing dam width.

Yet another object of the present invention is to provide a metallic seal in which the seal dam does not significantly shift during compression of the seal.

Another object of the present invention is to provide a metallic seal, which uses controlled column buckling to limit reaction forces and avoid deformation and brinelling.

Another object of the present invention is to provide a metallic beam column seal which has a leakage rate of less than 1×10^{-9} cc/sec He leakage rate or better,

The invention results from the realization that a truly superior seal made wholly of metal in the nature of a "C" seal can be effected utilizing a construction that has two spaced structured beams interconnected by a structured column which provides an extensive seal and buckles in a controlled fashion to maintain the seal without shifting of the sealing line or brinelling the mating surfaces of the members to be sealed.

The foregoing objects can basically be attained by providing a metallic seal that concentrates the available load over a narrow band to produce a sealing dam over a sufficient width to minimize leakage while optimizing the load required to compress the seal. The metallic seal has a first annular beam section, a second annular beam section, and inner and outer surfaces extending between the first and second annular beam sections. One of the inner and outer surfaces has an annular recess that at least partially defines an annular column section of material extending substantially perpendicular between said first and second annular beam sections thereto. The first annular beam section has a first non-sealing surface and a first raised portion with a first annular sealing surface facing in a first axial direction to contact a first member for creating a first annular sealing dam therebetween. The second annular beam section has a second non-sealing surface and a first raised portion with a second annular sealing surface facing in a second axial direction, which is opposite to the first axial direction, to contact a second member for creating a second annular sealing dam therebetween. The annular inner surface extends between the first and second sealing surfaces to form a central passageway.

Other objects, salient features and advantages of the present invention will become apparent to those skilled in the art from the following detailed description, which, taken in conjunction with the annexed drawings, discloses preferred embodiments of the present invention.

BRIEF DESCRIPTION OF THE DRAWINGS

Referring now to the attached drawings which form a part of this original disclosure:

FIG. 1 is a top plan view of a metallic seal in accordance with a first embodiment of the present invention;

FIG. 2 is a side elevational view of the metallic seal illustrated in FIG. 1 in which an annular recess is formed in an annular outer surface of the seal to form two diagonal braces;

FIG. 3 is a cross-sectional view of the metallic seal illustrated in FIGS. 1 and 2, as seen along section line 3—3 of FIG. 1;

FIG. 4 is an exploded, longitudinal cross-sectional view of the metallic seal illustrated in FIGS. 1-3 together with a seal assembly having a pair of mating members or plates and a spacer member which are coupled together by fasteners to axially compress the metallic seal for creating an annular seal therebetween;

FIG. 5 is a longitudinal cross-sectional view of the mating members, the spacer member and the metallic seal prior to compression of the metallic seal, i.e., unloaded;

FIG. 6 is a longitudinal cross-sectional view, similar to FIG. 5, of the mating member, the spacer member and the metallic seal, but after the mating members have been coupled together by the fasteners to compress the metallic seal for creating an annular seal therebetween;

FIG. 7 is an enlarged, partial cross-sectional view of a portion of the metallic seal illustrated in FIGS. 1-6, prior to compression of the metallic seal, i.e., unloaded.

FIG. 8 is an enlarged, partial cross-sectional view of the mating members and the metallic seal illustrated in FIGS. 1-6, after compression of the metallic seal, i.e., loaded to compress the metallic seal for creating an annular seal therebetween,

FIG. 9 is an equivalent diagrammatic view of the metallic seal illustrated in FIGS. 1-8, showing the column, beams and braces formed therein;

FIG. 10 is a side longitudinal cross-sectional view of a prior art "C" ring seal in a sealing assembly;

FIG. 11 is a schematic side cross-sectional view of a prior art "C" seal in its unloaded position in full lines and its compressed or loaded position in broken lines;

FIG. 12 is a longitudinal cross-sectional view of a metallic seal according to a second embodiment of the present invention in which an annular recess is formed in its inner surface;

FIG. 13 is a top plan view of a metallic seal in accordance with a third embodiment of this invention;

FIG. 14 is a partial cross-sectional view of a portion of the metallic seal illustrated in FIG. 13 as viewed along section line 14-14 in accordance with the third embodiment of the present invention; and

FIG. 15 is a partial cross-sectional view of a portion of a metallic seal with an alternate cross-section in accordance with the present invention.

DETAILED DESCRIPTION OF THE PREFERRED EMBODIMENTS

Initially referring to FIGS. 1 and 2, a metallic seal 10 in accordance with a first embodiment of the present invention is illustrated. Metallic seal 10 is illustrated as being circular. However, it will be apparent to those skilled in the art from this disclosure that seal 10 could have other types of non-circular ring shapes. Metallic seal 10 provides the following primary functions when applied to high reliability and pressure tight ($<1 \times 10^{-9}$ cc/sec He leak rates): low total load to compress (low force per unit circumference or pounds per circumferential inch—SCI).

Metallic seal 10 is preferably machined to its desired shape from a suitable metallic material having the desired sealing properties. For example, seal 10 can be constructed of a ductile alloy or metallic element (tin, nickel, aluminum, or copper) to improve seal integrity. The typical material for seal 10 would be stainless steel, aluminum, nickel and copper. Softer coatings can be employed as well, such as, tin, aluminum or nickel with a thickness between 0.001" and 0.006", and with different specific yield strengths, i.e.,

requiring more or less load to create a condition whereby the coating plastically deforms over a given width. Other suitable metal elements can be employed as well.

Seal 10 is especially useful in the semiconductor, process equipment or vacuum process industries, and any other industry that requires the above stated functionality. In other words, seal 10 is applicable to the semiconductor process and vacuum equipment industries, or any other industry where high reliability, low load to compress and extremely tight sealing (1×10^{-9} cc/sec He leakage rate or better) is required. Seal 10 is also applicable anywhere that the basic configuration lends itself to the sealing gland dimensions or the available bolt loading.

Possible variations of the illustrated seal 10 include a range of diameters, shapes, heights, coatings, base materials chosen for coefficient of thermal expansion matches, pressure or vacuum sealing, sealing any fluid by choosing compatible materials, or any other variation typically used to configure the seal 10 for a given application.

As seen in FIGS. 4-6, a sealing assembly 12 in accordance with a first embodiment of the present invention is illustrated in which metallic seal 10 forms a part thereof. More specifically, seal assembly 12 includes a first plate or member 14, with a first mating or sealing surface 16, a spacer member 18 and a second plate or member 20 having a second mating or sealing surface 22 for contacting seal 10. The members 14, 18 and 20 are coupled together by a plurality of fasteners or bolts 24. By tightening fasteners 24, seal 10 is loaded, and thus, compressed to plastically deform and create an annular seal between first and second members 14 and 20. Deformation of seal 10 is approximately 12% to 40% of the axial height of the seal between its sealing surfaces.

The purpose of metallic seal 10 is to provide a seal between two opposing members 14 and 20; which can be either metal to metal, metal to ceramic, ceramic to ceramic, or any appropriate combination of materials commonly used in process gas and/or chemical delivery and distribution systems, or additionally, between flanges or components for any fluid control or pneumatic application. Seal 10 will most typically be used in a groove, counterbore or between relatively flat surfaces with spacer or retainer member 18 providing a fixed separation of the components to be sealed. Seal 10 can be produced in circular or non-circular configurations and may also be produced in a variety of heights, diameters and cross-sections.

As best seen in FIG. 3, the cross-sectional profile of seal 10 can be basically broken down to seven sections (shown in broken lines). In particular, the cross-sectional profile of seal 10 has a slender column section 30, a first beam section 31 with a first raised portion 32, a second beam section 33 with a second raised portion 34, a first diagonal brace section 35 and a second diagonal brace section 36. The first beam section 31 of metallic seal 10 has an axial facing surface with a first annular sealing surface 40 formed on first raised portion 32 and a first annular non-sealing surface 41 located radially outward of first raised portion 32. The second beam section 33 has an axially facing surface with a second annular sealing surface 42 formed on second raised portion 34 and a second annular non-sealing surface 43 located radially outward of second raised portion 34. The metallic seal 10 is ringshaped with an annular inner surface 44 and an annular outer surface 45. In this embodiment, the outer surface 45 of seal 10 has annular recess 48 that allows for seal 10 to be axially compressed and provide a controlled buckling.

5

First annular sealing surface **40** is located on first raised portion **32** and faces in a first axial direction to contact sealing surface **16** of first member **14** for creating a first annular sealing dam therebetween. Second annular sealing surface **42** is located on second raised portion **34** and faces in a second axial direction, which is opposite to the first axial direction of first annular sealing surface **40**. The second annular sealing surface **42** contacts sealing surface **22** of second member **20** for creating a second annular sealing dam therebetween. Preferably, first and second annular sealing surfaces **40** and **42** are substantially flat surfaces, which are parallel to one another and perpendicular to the center axis **A** of seal **10**. Optionally, annular sealing surfaces **40** and **42** can be coated with a deformable plating or the like. However, such a deformable plating is typically unnecessary in seals of the present invention. The raised portions **32** and **34** are deformed axially, as seen in FIGS. **6** and **8**, such that a small space exists between the non-sealing surfaces **41** and **43** and the surfaces **16** and **22**, respectively.

In this embodiment, the first and second raised portions **32** and **34** are located adjacent the inner surface **44**. Of course, the location of the raised portions **32** and **34** can be moved radially along the first and second beam sections **31** and **33**, as needed and/or desired. Preferably, raised portions **32** and **34** are located such that annular sealing surfaces **40** and **42** at least partially overlie the column section **30** in an axial direction. In the illustrated example, seal **10** has its recess **48** on its outer surface **45**, therefore, it is preferable that the raised portions **32** and **34** are not located too far radially outwardly from the inner surface **44**. Preferably, the raised portions **32** and **34** are not located any farther than approximately the half of the radial length of the first and second beam sections **31** and **33** such that annular sealing surfaces **40** and **42** remain at least partially overlying the column section **30** in an axial direction. Of course, if the annular recess **48** is located on the inner surface **44**, the first and second raised portions **32** and **34** should be located at or near the outer surface as seen in FIG. **12**.

Annular inner surface **44** extends between first and second annular sealing surfaces **40** and **42** to form a central passageway which is surrounded by inner surface **44**. In this particular embodiment, inner annular surface **44** extends substantially perpendicular to first and second sealing surfaces **40** and **42**. However, it will be apparent to those skilled in the art from this disclosure that inner surface **44** can be further machined to decrease the amount of the loading force necessary to deform seal **10**. Moreover, inner surface **44** can be contoured such as to have an annular recess or the like.

Annular outer surface **45** extends between first and second non-sealing surfaces **41** and **43**, and is spaced radially outwardly from annular inner surface **44**. Outer surface **45** has an annular recess **48** extending in a substantially radial direction to control the amount of loading force necessary to deform seal **10**. Preferably, recess **48** is a continuous recess with a uniform shape. The slanted surfaces of recess **48** preferably form an angle of approximately 90° . Of course, this angle can range from about 70° to about 110° .

The slender column section **30** extends between annular sealing surfaces **40** and **42**, and overlaps portions of the beam sections **31** and **33** and includes raised portions **32** and **34**. In particular, beam sections **31** and **33** extend between annular inner surface **44** and annular outer surface **45** of seal **10**. The diagonal brace sections **35** and **36** are angled relative to column section **30** and beam sections **31** and **33** to define annular recess **48**. In this particular embodiment, the diagonal brace sections **35** and **36** extend approximately from the midpoint of column section **30** towards the outer ends of

6

beam sections **31** and **33** to provide support for beam sections **31** and **33** at their outer ends. This can be better seen by the line drawing in FIG. **9**, which diagrammatically illustrates the sections of seal **10** as straight lines to represent the column, beams, raised portions and braces that form the cross-section profile of seal **10**. The shape of recess **48** is determined by the desired seal widths and locations of sealing surfaces **40** and **42**, the desired minimum column width C_1 , the effective angles of brace sections **35** and **36** and the thickness or depth B_1 of beam sections **31** and **33**. Alternatively, the recess **48** can be formed closer to either the top or bottom of seal **10**, instead of being centered as seen in FIG. **15**.

Referring again to FIG. **3**, the shape of seal **10** is typically made by conventional machining techniques. For example, seal **10** can be produced on a lathe. In forming seal **10**, a bore is formed in a stock of material to form inner surface **44**. Then, one of the axial ends of the stock material is machined to form raised portion **32** and the non-sealing surfaces **41** of beam section **31**. Now, an annular cut is made in the outer diameter or surface **45** of seal **10** to form annular recess **48**. Then, the other axial end of the seals **10** is machined to form the raised portion **34** and the non-sealing surfaces **43** of beam section **33**.

The geometric and dimensional characteristics of seal **10** can be particularly seen in FIGS. **2**, **3** and **9**. Referring initially to FIG. **2**, the outer diameter D_1 of seal **10** can be any desired shape depending upon the application of seal **10**, i.e., there is no limit to its outer diameter. The inner diameter D_2 of seal **10** should be at least approximately 0.008 inch or greater. The free axial height of seal **10** is equal to the height C_2 of annular column section **30** which is typically between approximately 0.020 inch to approximately 1.0 inch. The radial width of seal **10** is the difference between the outer diameter D_1 and the inner diameter D_2 , i.e., the distance between outer surface **45** and inner surface **44**. In this preferred embodiment, the radial width of the seal **10** is preferably at least approximately 0.020 inch or greater.

First and second annular sealing surfaces **40** and **42** preferably have an outer sealing diameter S_1 , a radial sealing width S_2 and an axial height C_2 . In one potential embodiment of the present invention, the outer sealing diameter S_1 is approximately 0.228 inch. The radial width S_2 of the first and second annular sealing surfaces **40** and **42** is approximately 0.015 inch. The axial height C_2 between the first and second annular sealing surfaces **40** and **42** is approximately 0.070 inch. Raised portions **32** and **34** extend axially approximately 0.003 inch from non-sealing surfaces **41** and **43**. Accordingly, the first and second annular sealing surfaces **40** and **42** each extend axially outwardly from the first and second annular non-sealing surfaces **41** and **43** by approximately 0.003 inch, respectively. In this example, the seal **10** has an outer diameter D_1 that is approximately 0.282 inch, and an inner diameter D_2 of approximately 0.206 inch. The annular recess **48** is preferably formed on an outer surface **45** and has an axial height of approximately 0.036 inch. The wedge-shaped portion of the annular recess **48** forms an effective angle of approximately 70° – 110° .

The effective minimum column width C_1 of column section **30** is typically between approximately 0.008 inch and approximately 0.042 inch. The height C_2 of annular column section **30**, as mentioned above, is preferably in the range of approximately 0.020 inch to approximately 1.0 inch. The ratio between the height C_2 of annular column section **30** and the effective minimum width C_1 of annular column section **30** is preferably 3:1 or greater, i.e., the height C_2 is three times, or greater than the effective minimum

width C_1 of column section **30**. When the annular column height C_2 is less than 1.0 inch (smaller seals) the more optimum range of the effective column width C_1 of column section **30** is between 0.008 inch and approximately 0.030 inch. In other words, the taller the seal, the wider the effective minimum column width C_1 can be in comparison to smaller seals.

The axial thickness or depth B_1 , of beam sections **31** and **33** depends upon brace sections **35** and **36**. In particular, the axial depth B_1 , of beam sections **31** and **33** can be effectively zero. In other words, non-annular sealing surfaces **41** and **43** can meet with recess **48** to form a point. However, if one of the brace sections **35** or **36** is eliminated, then the beam section **31** or **33** without the brace section **35** or **36** should have an axial depth B_1 of at least approximately 0.010 inch.

Beam sections **31** and **33** preferably have a radial width B_2 of at least approximately 0.045 inch or greater. Preferably, the radial widths B_2 of beam sections **31** and **33** are equal to one another and at least approximately three times the widths of the sealing surfaces **40** and **42**. Of course, the widths B_2 of beam sections **31** and **33** can be different, if needed and/or desired.

Although thus far seal ring **10** has been depicted with annular recess **48** associated with outer surface **45**, this is not a necessary limitation of the invention as annular recess **48** can be made in inner surface **44** such that recess **48** faces radially inwardly towards the center axis A of seal **10**, as seen in FIG. **12**.

Moreover, while seal **10** is shown with the beam sections **31** and **33**, diagonal brace sections **35** and **36** and the column section **30** all integrally formed, this is not a necessary limitation of the invention as any one or more of them may be formed independently of the others as mentioned above.

In use, seal **10** is placed between member **14** and member **20** of seal assembly **12**. The flat sealing dams of sealing surfaces **40** and **42** are in full sealing contact with the sealing surfaces **16** and **22** of members **14** and **20**, respectively, when seal assembly **12** is coupled together as seen in FIGS. **4-8**. In particular, members **14** and **20** are fastened together by a plurality of fasteners **24** (only two shown) which compresses seal **10** so that it bulges somewhat into annular recess **48** as seen in FIG. **8**. Thus, seal **10** does not significantly shift the seal contact, and thus, maintains a better and more secure seal. The beam sections **31** and **33** and column section **30** collapse in a controlled fashion to limit the reaction forces. The sealing points do not significantly shift, but are maintained in constant seal contact.

Metallic seal **10**, as shown in the attached drawings, provides a highly reliable seal by concentrating the available load over a narrow band (small surface area equaling high contact stress) to produce a high quality sealing dam over a sufficient width to minimize leakage on a molecular level. By minimizing the seal dam width over which the intimate contact between seal **10** and mating surfaces is needed, a high performance seal can be achieved without high compression loads. This method allows the substantially parallel sealing surfaces **40** and **42** of the seal **10** to be in intimate contact with the surfaces **16** and **22**, resulting in a controlled contact stress.

Seal **10** is designed to accommodate seal cavity tolerances by designing the seal stiffness to be acceptable over the combined tolerance range of the cavity plus the seal. By designing the cross-section of seal **10** as shown in FIG. **3**, the deflection of the section is controlled, i.e., there is no uncontrolled buckling. By varying the web thickness of the cross-section, the height, and the area of the annulus, the seal **10** can be designed to function in a variety of seal gland depths.

Prior Art Verses Metallic Seal **10**

As shown in FIGS. **10** and **11**, a conventional seal assembly **12'** is illustrated and includes a bottom or first member **14'** with a bottom sealing surface **16'** and a spacer member **18'** which receives C-shaped seal **10'** therein. A top or second member **20'** with top sealing surfaces **22'** with top sealing surface **22'** is fastened to base plate or member **14'** and clamped down by a plurality of fasteners **24'** to bring sealing surface **22'** to bear on the other side of "C" ring or seal **10'**. Initially such a conventional "C" seal, shown in FIG. **11**, unloaded and in an unconstrained environment, has a single point or line of contact at the top and the bottom where it meets with the sealing surfaces **16'** and **22'**. However, upon loading seal **10'** as seen in FIG. **11**, the seal **10'** compresses and that seal dam line shifts and expands. This shifts the seal contact.

In contrast, seal **10** according to this invention, has two extended flat sealing surfaces **40** and **42** which are formed by two structural beam sections **31** and **33** supported by a slender structural column section **30** and reinforced by two diagonal brace sections **35** and **36**. Slender column section **30** is typically taller or higher than it is wide. For example, column section **30** can be three times taller than it is wide. Brace sections **35** and **36** are typically at 35° to 55° angles with respect to beam sections **31** and **33**. Accordingly, a wide sealing area is created on both sealing surfaces **40** and **42** which does not significantly shift during compression of seal **10**.

Second Embodiment

Referring to FIG. **12**, a metallic seal **110** in accordance with a second embodiment of the present invention is illustrated. Seal **110** is nearly identical to seal **10**, discussed above, except that seal **110** has a recess **148** formed on its inner surface **144**. In view of the similarities between seal **110** and seal **10**, discussed above, seal **110** will not be discussed or illustrated in detail herein. Basically, metallic seal **110** has a first annular sealing surface **140** formed on first raised portion **132** and a second annular sealing surface **142** formed on second raised portion **134**.

Although only a portion of metallic seal **110** is illustrated herein, it will be apparent to those skilled in the art from this disclosure that seal **110** is a continuous ring which can be either circular or non-circular. Preferably, the cross-section of seal **110** is uniform. Metallic seal **110** is preferably machined to its desired shape from a suitable metallic material having the desired sealing properties. For example, seal **110** can be constructed of pure metal, aluminum, or a high strength steel alloy such as stainless steel, or any other suitable sealing material.

Third Embodiment

Referring to FIGS. **13-14**, a metallic seal **210** in accordance with a third embodiment of the present invention is illustrated. Seal **210** is nearly identical to seal **10**, discussed above, except that seal **210** is illustrated with a non-circular shape and the raised portions **232** and **234** have been moved radially outward from the inner surface **244**. In view of the similarities between seal **210** and seal **10**, discussed above, seal **210** will not be discussed or illustrated in detail herein. Basically, metallic seal **210** has a first annular sealing surface **240** formed on first raised portion **232** and a second annular sealing surface **242** formed on second raised portion **234**.

While metallic seal **210** is illustrated as being non-circular, it will be apparent to those skilled in the art from

this disclosure that seal **210** is a continuous ring which can be either circular or non-circular. Preferably, the cross-section of seal **210** is uniform as it extends about the periphery of seal **210**. Metallic seal **210** is preferably machined to its desired shape from a suitable metallic material having the desired sealing properties. For example, seal **210** can be constructed of pure nickel, aluminum, or a high strength steel alloy such as stainless steel, or any other suitable sealing material.

Fourth Embodiment

Referring to FIG. **15**, a metallic seal **310** in accordance with a fourth embodiment of the present invention is illustrated. Seal **310** is nearly identical to seal **10** or **110**, discussed above, except that seal **310** has its annular recess **348** located closer to one of the axial faces of the seal **310**. In view of the similarities between seal **310** and seals **10** and **110**, discussed above, seal **310** will not be discussed or illustrated in detail herein. Basically, metallic seal **310** has a first annular sealing surface **340** formed on first raised portion **332** and a second annular sealing surface **342** formed on a second raised portion **334**.

The terms of degree such as “substantially”, “about” and/or “approximately” as used herein mean a reasonable amount of deviation of the modified term such that the end result is not significantly changed. These terms should be construed as including a deviation of $\pm 15\%$ of the modified term if this would not negate the meaning of the word it modifies.

While only selected embodiments have been chosen to illustrate the present invention, it will be apparent to those skilled in the art from this disclosure that various changes and modifications can be made herein without departing from the scope of the invention as defined in the appended claims. Furthermore, the foregoing description of the embodiments according to the present invention are provided for illustration only, and not for the purpose of limiting the invention as defined by the appended claims and their equivalents.

What is claimed is:

1. A metallic seal comprising:

a first annular beam section having a first non-sealing surface and a first raised portion, said first raised portion having a first annular sealing surface facing in a first axial direction to contact a first member for creating a first annular sealing dam therebetween;

a second annular beam section having a second non-sealing surface and a second raised portion, said second raised portion having a second annular sealing surface facing in a second axial direction, which is opposite to said first axial direction, to contact a second member for creating a second annular sealing dam therebetween;

an annular inner surface extending between said first and second sealing surfaces to form a central passageway;

an annular outer surface extending between said first and second sealing surfaces and spaced from said annular inner surface to form an annular column section of material extending substantially perpendicular between said first and second annular beam sections thereto; and

one of said annular inner and outer surfaces having an annular recess extending in a substantially radial direction to at least partly define an effective minimum width of said annular column section,

at least a part of said first sealing surface of said first raised portion and at least a part of second sealing

surface of said second raised portion being axially aligned with said annular column section, said first and second non-sealing surfaces being axially aligned with said annular recess and extending radially from said one of said annular inner and outer surfaces having said annular recess.

2. The metallic seal according to claim **1**, wherein said annular recess is configured to form a first diagonal brace section extending from said annular column section to said first beam section.

3. The metallic seal according to claim **2**, wherein said column section and said beam sections are integrally constructed from a one-piece, unitary member.

4. The metallic seal according to claim **2**, wherein said effective minimum width of said column section lies within the range of approximately 0.008 inch to approximately 0.030 inch.

5. The metallic seal according to claim **2**, wherein a second diagonal brace section extends from said annular column section to said second beam section.

6. The metallic seal according to claim **5**, wherein said first and second brace sections meet approximately midway between said annular sealing surfaces at said annular column section.

7. The metallic seal according to claim **6**, wherein each of said first and second brace sections extends from said column section at an angle of approximately 35° to approximately 55° .

8. The metallic seal according to claim **1**, wherein said first and second sealing surfaces are located axially over only said annular column section.

9. The metallic seal according to claim **1**, wherein said first and second sealing surfaces are located at one of said annular inner and outer surfaces.

10. The metallic seal according to claim **1**, wherein said first and second sealing surfaces are substantially flat to form flat sealing lines upon compression.

11. The metallic seal according to claim **10**, wherein said flat sealing surfaces are substantially parallel to each other.

12. The metallic seal according to claim **11**, wherein said flat sealing surfaces are substantially perpendicular to a center axis of said metallic seal.

13. The metallic seal according to claim **1**, wherein said column section has its axial height between said sealing surfaces at least as high as said effective minimum width.

14. The metallic seal according to claim **13**, wherein said height of said column section is at least three times as long as minimum width of said column section.

15. The metallic seal according to claim **1**, wherein said first brace section extends from said column section at an angle of approximately 35° to approximately 55° .

16. The metallic seal according to claim **1**, wherein said annular column section has an axial height lying between approximately 0.020 inch to approximately 1.0 inch.

17. The metallic seal according to claim **1**, wherein said annular recess is located approximately midway between said annular sealing surfaces.

18. The metallic seal according to claim **1**, wherein said annular recess is located closer to one of said first and second annular sealing surfaces.

11

19. The metallic seal according to claim 1, wherein said annular recess is formed in said annular inner surface.

20. The metallic seal according to claim 1, wherein said annular recess is formed in said annular outer surface.

21. The metallic seal according to claim 1, wherein said seal is formed of a corrosion resistant alloy.

22. The metallic seal according to claim 1, wherein said seal is formed of a material selected from the group of pure nickel, copper, tin, aluminum and stainless steel.

23. A metallic seal comprising:

a first annular beam section having a first non-sealing surface and a first raised portion, said first raised portion having a first annular sealing surface facing in a first axial direction to contact a first member for creating a first annular sealing dam therebetween;

a second annular beam section having a second non-sealing surface and a second raised portion, said second raised portion having a second annular sealing surface facing in a second axial direction, which is opposite to said first axial direction, to contact a second member for creating a second annular sealing dam therebetween;

an annular inner surface extending between said first and second sealing surfaces to form a central passageway;

an annular outer surface extending between said first and second sealing surfaces and spaced from said annular

12

inner surface to form an annular column section of material extending substantially perpendicular between said first and second annular beam sections thereto; and

one of said annular inner and outer surfaces having an area of reduced strength extending in a substantially radial direction to at least partly define an effective minimum width of said annular column section,

at least a part of said first sealing surface of said first raised portion and at least a part of said second sealing surface of said second raised portion being axially aligned with said annular column section, said first and second non-sealing surfaces being axially aligned with said area of reduced strength and extending radially from said one of said annular inner and outer surfaces having said area of reduced strength.

24. The metallic seal according to claim 23, wherein said area of reduced strength is formed by a recess.

25. The metallic seal according to claim 24, wherein said recess is continuous around said one of said annular inner and outer surfaces.

26. The metallic seal according to claim 25, wherein said recess has a constant cross-sectional profile.

* * * * *