



US00RE39972E

(19) **United States**
(12) **Reissued Patent**
Royalty

(10) **Patent Number: US RE39,972 E**
(45) **Date of Reissued Patent: Jan. 1, 2008**

(54) **DETACHABLE INTEGRAL AIRCRAFT
TAILCONE AND POWER ASSEMBLY**

2,988,302 A * 6/1961 Smith 244/15
3,905,564 A * 9/1975 Furlano 244/17.11
4,077,206 A 3/1978 Ayyagari
4,848,702 A * 7/1989 Riggins 244/105
5,876,546 A 3/1999 Cloud

(75) Inventor: **Charles Michael Royalty**, Tempe, AZ
(US)

(73) Assignee: **AlliedSignal, Inc.**, Morristown, NJ
(US)

FOREIGN PATENT DOCUMENTS

GB 1212 875 11/1970
WO WO 91 08379 6/1991

(21) Appl. No.: **10/459,024**

(22) Filed: **Jun. 11, 2003**

OTHER PUBLICATIONS

Merriam-Webster's Collegiate Dictionary, Tenth Edition,
1999, p. 468, col. 2.*
European Search Report, May 23, 2000.

Related U.S. Patent Documents

Reissue of:

(64) Patent No.: **6,244,539**
Issued: **Jun. 12, 2001**
Appl. No.: **09/456,251**
Filed: **Dec. 7, 1999**

* cited by examiner

Primary Examiner—Ricardo J. Palabrica
(74) *Attorney, Agent, or Firm*—Alston & Bird LLP

U.S. Applications:

(62) Division of application No. 08/892,647, filed on Jul. 15,
1997, now Pat. No. 6,039,287.
(60) Provisional application No. 60/023,080, filed on Aug. 2,
1966, and provisional application No. 60/023,202, filed on
Aug. 5, 1999.

(51) **Int. Cl.**
B64D 27/00 (2006.01)

(52) **U.S. Cl.** **244/54; 244/55; 244/120;**
181/212; 181/222; 248/554

(58) **Field of Classification Search** **244/54,**
244/55, 120; 181/212, 222; 248/554
See application file for complete search history.

(57) **ABSTRACT**

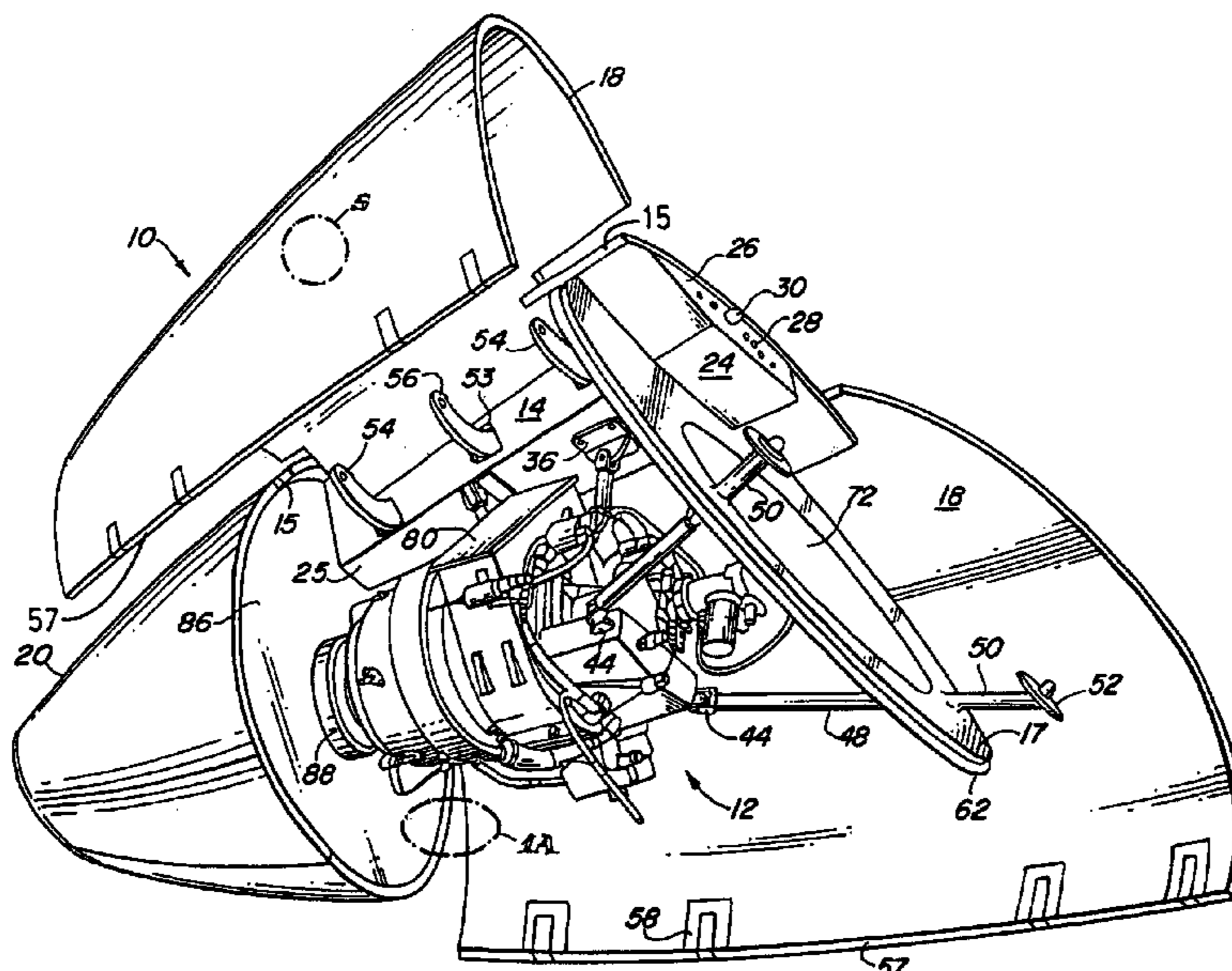
The present invention provides a tailcone and power assembly mountable to the body of an aircraft using a height adjustable dolly. The tailcone assembly comprises a longitudinal support member, a gas turbine engine mounted to the support member; a firewall; two curved rotatable casings hingeably connected to the support member; an inlet duct extending from an aperture in one of the rotatable casings to the engine inlet; an integral exhaust casing, and interface means for making necessary engine accessory connections to the aircraft. The tailcone is installed on the aircraft by mounting the tailcone in the adjustable dolly, rolling the dolly up to the aircraft, adjusting the dolly until the auxiliary power assembly is properly aligned for attachment to the aircraft, connecting the engine accessories to the aircraft, and bolting the assembly to the aircraft.

(56) **References Cited**

U.S. PATENT DOCUMENTS

2,504,422 A 4/1950 Johnson

44 Claims, 3 Drawing Sheets



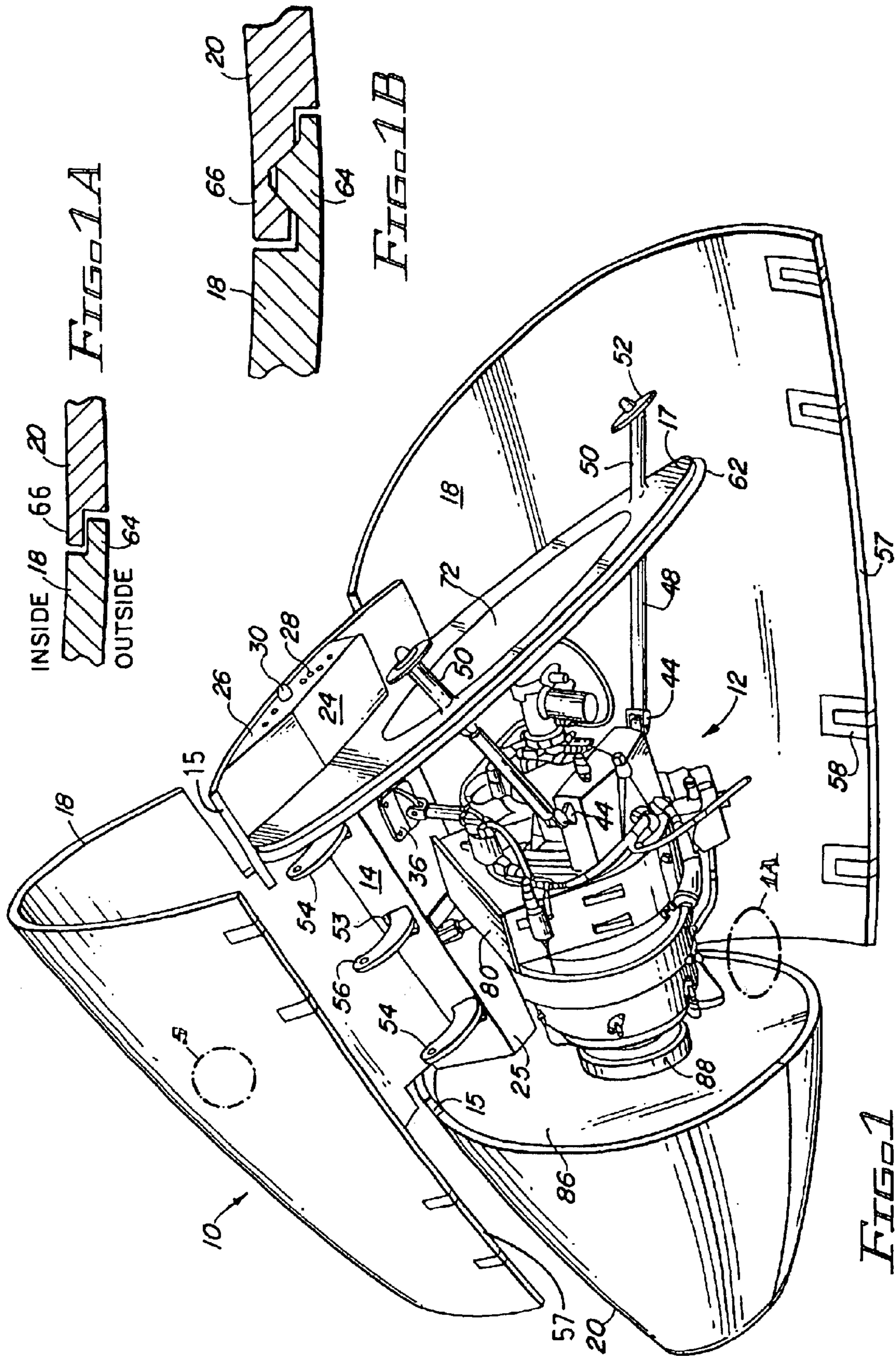


FIG 1A

FIG 1B

FIG 1

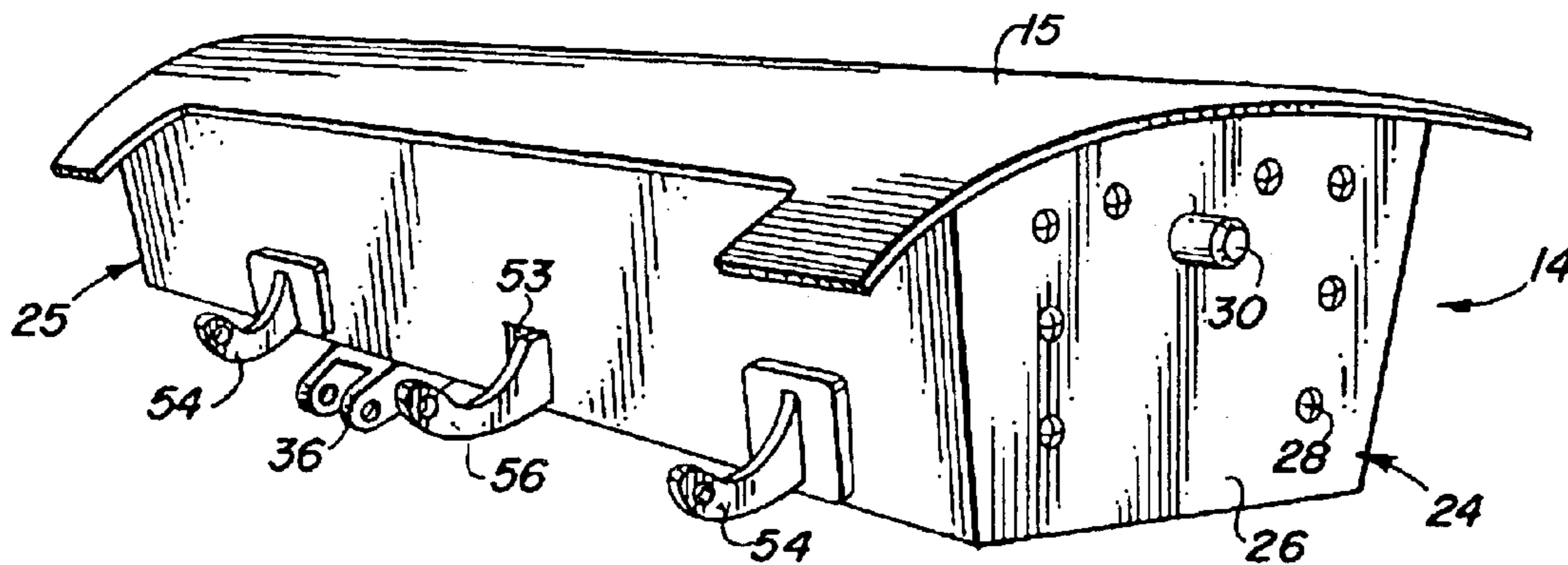


FIG. 2

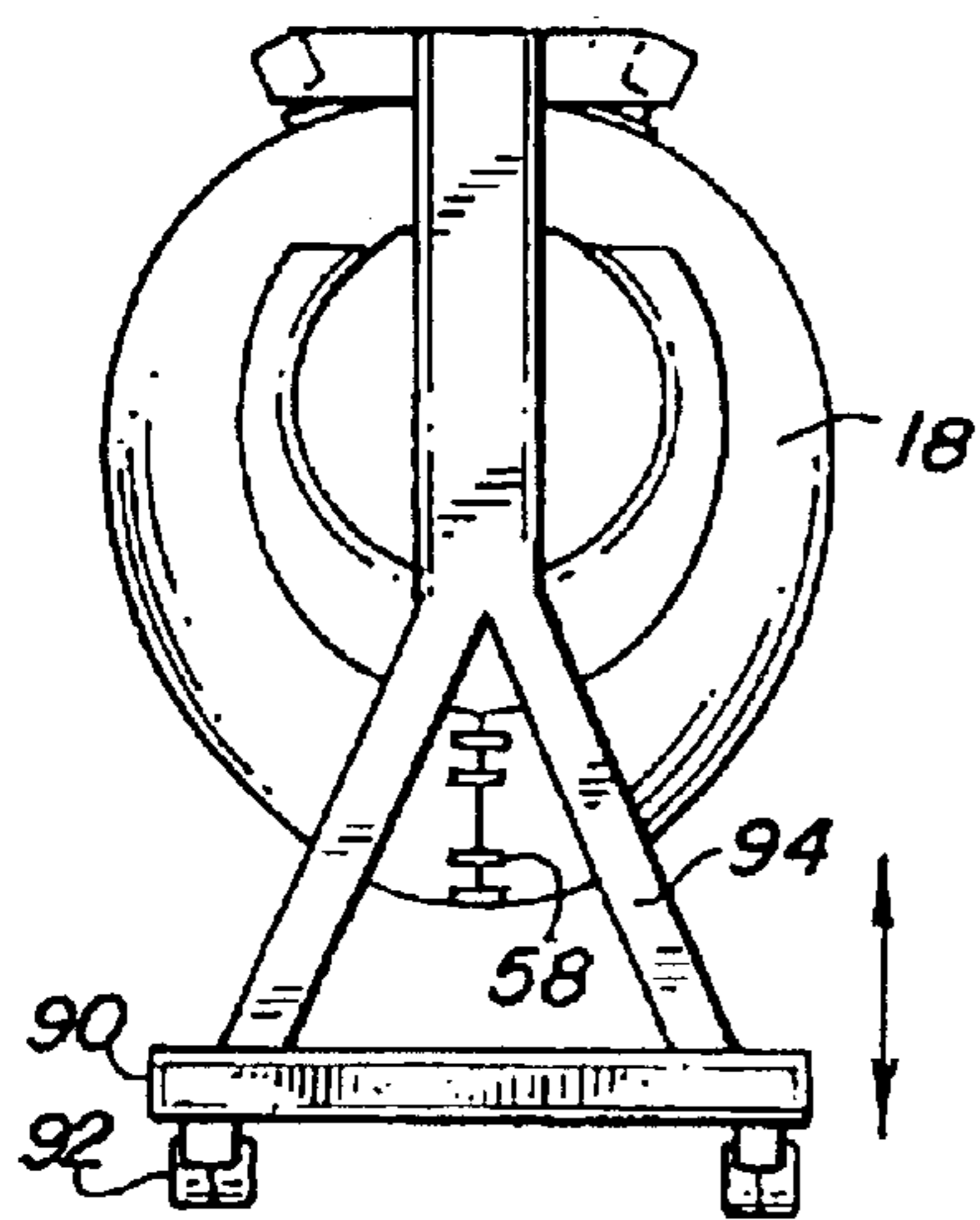


FIG. 6B

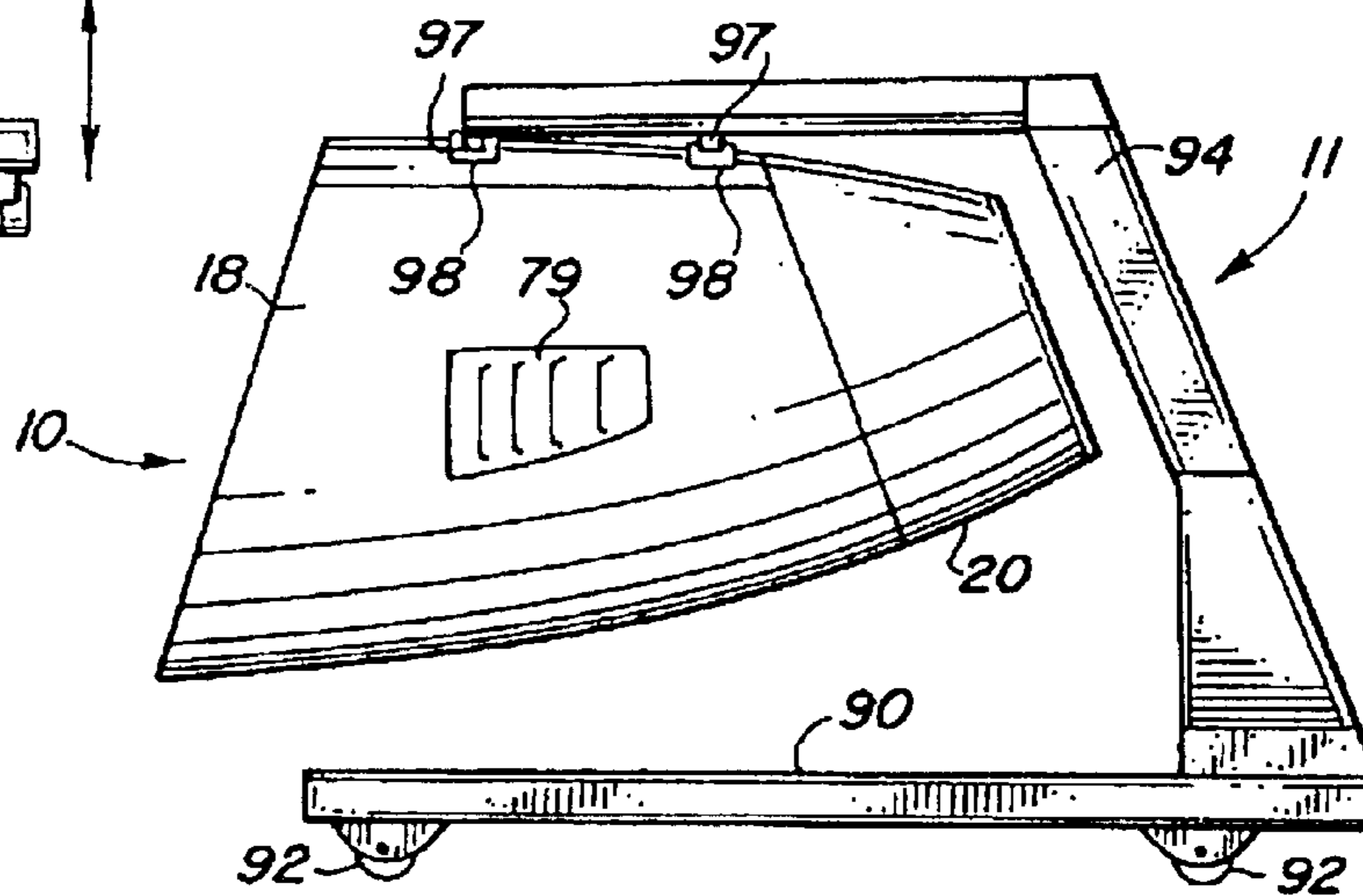


FIG. 6A

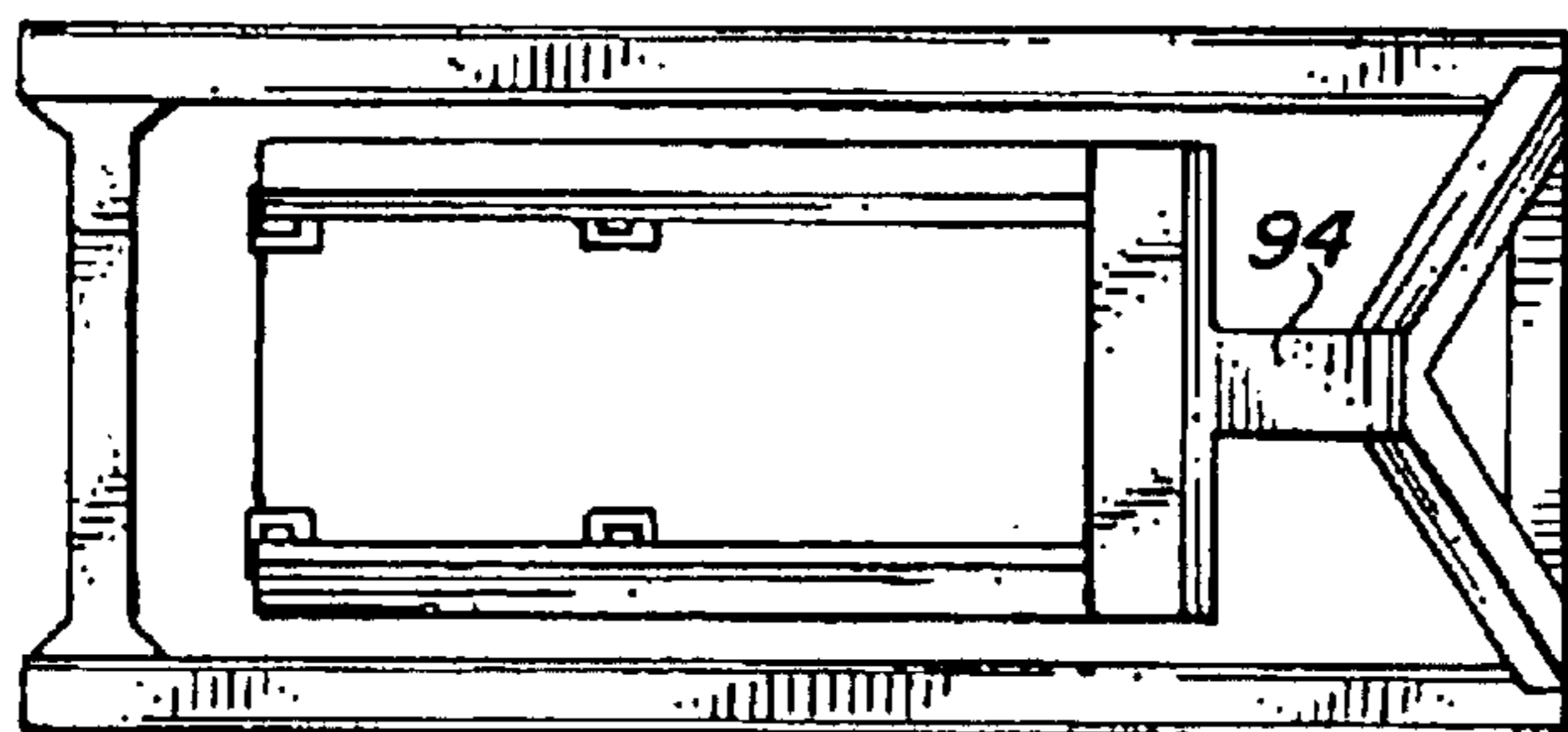
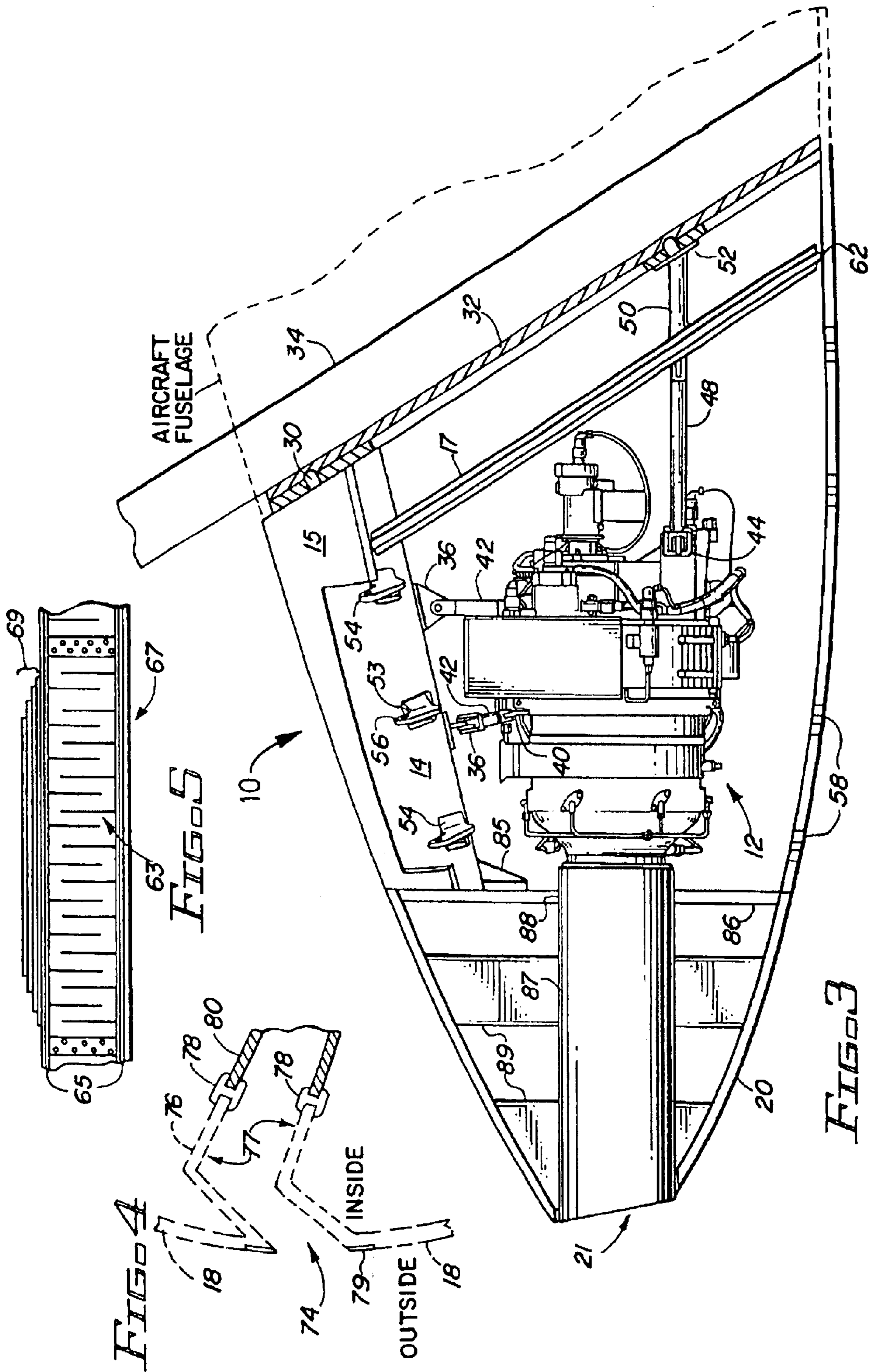


FIG. 6C



**DETACHABLE INTEGRAL AIRCRAFT
TAILCONE AND POWER ASSEMBLY**

Matter enclosed in heavy brackets [] appears in the original patent but forms no part of this reissue specification; matter printed in italics indicates the additions made by reissue.

REFERENCE TO COPENDING APPLICATION

This is a division of Application Ser. No. 08/892,647, now U.S. Pat. No. 6,039,287 filed Jul. 15, 1997 which claims the benefit of U.S. Provisional Application Nos.: 60/023,080 filed Aug. 2, 1996, and U.S. Provisional Application No. 60/023,202 filed Aug. 5, 1996.

TECHNICAL FIELD

This invention relates generally to an aircraft tailcone. More particularly, the present invention relates to a detachable integral aircraft tailcone and power unit assembly configured for quick attachment to and removal from an aircraft.

BACKGROUND OF THE INVENTION

Modern turboprop and turbofan powered aircraft carry a gas turbine engine known as an auxiliary power unit (APU) in addition to the main propulsion engines. The APU serves two main functions: to provide power to aircraft systems when the main engines are not running, and to enable starting the main engines without need for external power. In many business class aircraft and in aircraft used by smaller regional airlines, the APU is mounted in the tail end of the fuselage generally known as the tailcone. Typically, the engine supplier and tailcone casing supplier coordinate with the aircraft manufacturer in the installation of the APU at the manufacturer's facility. The APU is custom fit and mounted to the aircraft, and all accessories such as electrical, pneumatic, and fuel, are routed to the APU and connected. The tailcone casing supplier then fits and installs the casing, usually including an openable or removable panel for access to portions of the APU.

A problem with this kind of APU installation is the large amount of the time and expense involved in completing an installation. The mounting of the APU and routing and connection of accessories requires substantial effort by skilled technicians and engineers from the aircraft manufacturer and APU supplier. Fitting and attaching the casing requires technical support from the tailcone casing supplier as well. A complete installation can take days or even weeks at the aircraft manufacturers facility resulting in substantial cost and inconvenience.

Another problem results from inaccessibility of the APU once the casing is in place. Typically the casing comprises two large panels that are attached to one another and to the aircraft using numerous screws. The casing includes at least one small openable door for providing access to routinely monitored items such as the oil sight glass. However, for anything beyond the routine day to day maintenance it becomes necessary to remove at least one of the large casing panels. Removal of just the screws holding the panels together can take thirty minutes or longer. The time spent on removing and reinstalling the tailcone casing can become particularly inconvenient and costly when it results in unplanned delay to scheduled flights.

Accordingly, a need exists for a system that substantially reduces the time and labor required to install and test an

APU and tailcone casing onto an aircraft. Another need exists for a tailcone casing that provides quick access to the entire APU mounted therein.

SUMMARY OF THE INVENTION

In view of the above, it is an object for this invention to provide a system that substantially reduces the time and labor required to install an APU and tailcone casing onto an aircraft, and to provide a tailcone casing giving quick access to the entire APU mounted within.

The present invention achieves these objects by providing a detachable integral aircraft tailcone and power assembly mountable to the body of an aircraft using a height adjustable dolly. The tailcone assembly comprises a longitudinal support member having forward and aft axial ends; a gas turbine engine mounted within the tailcone to the support member; a firewall extending from the support member forward of the engine; two curved rotatable casings hingeably connected to the support member and rotatable from a closed position to an open position thereby exposing the engine, the open position being at least 90 degrees from the closed position; an inlet duct extending from an aperture in one of the rotatable casings to the engine inlet; and interface means for making necessary electrical, mechanical, pneumatic, and hydraulic accessory connections between said tailcone assembly and said aircraft body. The forward axial end of the support member includes a flange adapted for quickly and rigidly attaching the entire tailcone assembly to the aircraft body. The integral aircraft tailcone may also include an integrated exhaust muffler.

The tailcone assembly is installed on the aircraft by mounting the tailcone in the adjustable dolly, rolling the dolly up to the aircraft, adjusting the dolly until the tailcone assembly is properly aligned for attachment to the aircraft, connecting the engine accessories to the aircraft, and bolting the tailcone to the aircraft.

These and other objects, features and advantages of the present invention are specifically set forth in or will become apparent from the following detailed description of a preferred embodiment of the invention when read in conjunction with the accompanying drawings.

BRIEF DESCRIPTION OF THE DRAWINGS

FIG. 1 depicts a perspective view of the tailcone assembly contemplated by the present invention.

FIG. 1A depicts an enlarged fragmented cross-sectional view of an encircled portion of FIG. 1.

FIG. 1B depicts an enlarged fragmented cross-sectional view of a mating edge of the casings and the exhaust cone.

FIG. 2 depicts a perspective view of the support member portion of the tailcone assembly of FIG. 1.

FIG. 3 depicts a partially cross sectional partially cutaway side view of the tailcone assembly contemplated by the present invention.

FIG. 4 depicts a fragmented cross-sectional view of the integral inlet duct.

FIG. 5 depicts an enlarged fragmentary sectional view of an encircled portion of FIG. 1.

FIG. 6A depicts a side view of an integral tailcone and power assembly mounted in an installation dolly as contemplated by the present invention.

FIG. 6B depicts an aft looking forward view of the tailcone assembly and installation dolly of FIG. 6A.

FIG. 6C depicts a top looking down view of the tailcone assembly and installation dolly of FIG. 6A.

DESCRIPTION OF THE PREFERRED EMBODIMENT

The integral tailcone and power assembly of the subject invention is indicated generally by the numeral **10** in FIG. **1**. The tailcone assembly **10** comprises generally a gas turbine engine **12** mounted from a support member **14**, two rotatable casing halves **18** hingeably mounted to support member **14**, a firewall **17**, and an integral exhaust cone **20** with an open aft end **21**.

Referring to FIGS. **2** and **3**, primary support for the entire tailcone assembly **10** is provided by the support member **14**. The support member **14** extends longitudinally from a forward end **25** to an aft end **25**. The upper surface of the support member **14** is capped by a fairing **15** contoured to define the top surface of the tailcone between the hinged edges of casing halves **18**. The support member structure is thus entirely enclosed within the tailcone **10**. Alternatively, the upper surface of the support member **14** may be contoured to define the top surface of the tailcone assembly. The support member construction consists of a welded box or I-beam structure preferably made from Inconel 625 sheet and plate stock. Other constructions or materials may be used depending on the particular installation.

The support member **14** is adapted for attachment to the rear bulkhead **32** and tail spar **34** of the aircraft. The forward end of support member **14** is tapered at an angle to fit the aircraft bulkhead **32**, and provided with a flange **26** having bolt holes **28** and a locating pin **30**. When the tailcone assembly **10** is installed, the flange **26** is bolted to the aircraft bulkhead **32**, and preferably also to the tail spar **34**, thereby rigidly connecting the tailcone assembly to the aircraft. The connection is designed so that the support member **14** extends roughly horizontally from the aircraft.

The support member **14** further includes mounting brackets **36** for connecting to the gas turbine engine main mounts. The engine depicted in the figures has forward and rear main mount pads indicated as **38** and **40** respectively, both located on the top side of the engine. Main mounts **38** and **40** are connected to the mounting brackets **36** through rigid links **42**. It should be noted that the locations and orientations of the engine's main mounts and the support member mounting brackets **36** shown are illustrative of a typical configuration. The present invention more broadly contemplates mounting any suitable engine to a support member **14** regardless of how the engine mounts may be configured.

The engine **12** also includes two secondary mounts **44**. The secondary mounts **44** are connected to the firewall **17** (described below) via struts **48**. Opposite each of the struts **48**, standoffs **50** extend from the firewall **17** to the aircraft. A flange **52** having an alignment pin and bolt holes is defined at the forward end of each standoff **50** for attachment to the aircraft bulkhead **32**. The struts **48** and standoffs **50** are preferably configured to provide a direct load path between the secondary mounts **44** and the aircraft bulkhead **32**. As with the main mounts, the location and orientation of the secondary mounts shown is merely illustrative of a typical installation, and not limiting to the mount configurations contemplated by the invention described and claimed herein.

Fire protection and access to the engine's accessories are provided by the firewall **17**. The firewall **17** is rigidly connected to the support member **14** several inches rearward of flange **26**, and preferably parallel with the aircraft rear bulkhead **32**. A bulb seal **62** is attached to the perimeter of the firewall **17** for sealing off the engine from the aircraft. The seal **62** is itself protected by a seal retainer (not shown) extending from the firewall **17**. When the rotatable casing

halves **18** are closed and latched together, the seal **62** is compressed and mates with a seal land (not shown) located on each casing **18**. An access panel **72** is provided in firewall **17** for routing the engine's accessory connections out of the tailcone assembly **10**. All engine accessory connections may be advantageously made in the cavity between the firewall **17** and the aircraft bulkhead **32**.

The rotatable casings **18** enclose almost the entire forward portion of the tailcone assembly **10**. Each casing **18** extends longitudinally from the forward end of the tailcone rearward to a point approximately adjacent the engine exhaust, and wraps circumferentially all the way around to the bottom of the tailcone, abutting one another along their lower longitudinal edges **57**. Four spaced apart latches **58** are used along the lower longitudinal edges **57** to latch the casings **18** to one another. Additional latches on the forward and off edges of the rotatable casings may be used to provide additional support. Preferably latches **58** are flush with the outer surface of the casings **18** when closed and latched.

The rotatable casings **18** provide access to the entire APU for performing various engine maintenance by opening one or both sides. The casings **18** are large enough to allow for removal of the APU from the aircraft when required, such as for performing a hot section overhaul, without need for removal of any casing from the aircraft. The aft edges of the casings **18** are undercut to define a lip **64** which overlays a mating step **66** in the forward edge of the exhaust cone **20**, as illustrated in FIG. **1A**, thereby creating a lap joint arrangement when the rotatable casings are closed and latched. A similar undercut is provided in the forward edge of the casings **18** for overlaying the perimeter of the aircraft bulkhead **32**.

The rotatable casings **18** are hingeably connected to gooseneck hinges **54** and **56** extending from support member **14**. The forward and aft gooseneck hinges **54** are rigidly attached to the sides of support member **14**. A single piece floating hinge **56** is disposed between fixed hinges **54**, and defines the center gooseneck hinge for both casing halves **18**. The floating hinge **56** comprises a single bar formed into the goosenecks at each end, free to slide laterally and vertically in a slot **53** formed in the support member **14**. The floating hinge **56** self aligns with the fixed hinges **54**, thereby ensuring free movement of the casing **18**, and enabling alignment of casings **18** to be controlled solely by adjustment of fixed hinges **54**. Alternative hinging arrangements, for example strip piano type hinges, may be used instead of the gooseneck type depending upon the constraints of the installation.

The rotatable casings **18**, are preferably made of a composite skinned honeycomb sandwich construction as shown in FIG. **5**. The core material in the sandwich construction is a honeycomb structure **63** typically made of either Titanium metal or Phenolic—a paper based material. The inner and outer exterior surfaces **65** of the sandwich are made of a carbon fiber reinforced plastic (CFRP). The CFRP consists of carbon fiber and a plastic matrix, where the plastic matrix may be an epoxy, bismaleimide, or polyimide; the latter having higher temperature capability. If an epoxy based CFRP is used, a thermal blanket may be required to shield the doors from engine heat. Such a thermal blanket would typically be made from woven "Teflon" or "Captan" material, and pinned to the inside of the rotatable casings. The outer external surface includes layers of copper foil or nickel mesh **67** for lightning protection. Kevlar plies may be added to the inside surface of the casings **18**, and a higher density honeycomb core used adjacent the turbine and compressor wheels of the gas turbine engine for improved

5

fragment containment. The rotatable casings **18** may alternatively be made of a suitable sheet metal, such as 0.040 inch thick Titanium 6AL-4V with stringer reinforcement. Casings made of Titanium or other metal do not require the addition of copper foil for lightning protection.

The tailcone assembly **10** includes means for ducting combustion air to the engine, illustrated in FIG. **4**. One of the rotatable casings **18**, includes an inlet aperture **74** aligned with an integral inlet conduit or duct **76** extending from the inside surface of the casing **18** to an open end adjacent the engine inlet **80**. The inlet conduit **76** includes a gasket **78** at its open end such that when the casings **18** are closed and latched, inlet conduit **76** sealingly mates up with the engine inlet **80**, thereby defining a duct from the engine inlet to the ambient air. Inlet conduit **76** is integral with casing **18** and preferably constructed of the same type of honeycomb composite material.

The inner surfaces of the conduit **76** receive an acoustic treatment for suppressing engine noise. The treatment comprises performing the entire inner composite surface of the honeycomb composite with a plurality of small diameter (approximately $\frac{1}{16}$ inch) closely spaced holes **77**. Noise abatement may alternatively be achieved by incorporating a wire mesh layer known in the industry as a septum (not shown) into the honeycomb composite structure. The septum may be disposed between the inner composite surface and the honeycomb, or between two layers of honeycomb. A suitable louvered cover plate **79** for directing air into the ducting and filtering out foreign objects is located over aperture **74**. The cover plate **79** may include means for restricting the amount of airflow entering the conduit such as through adjustable louvers or multiple positionable door.

Referring to FIG. **3**, the aft most portion of the tailcone is an integral exhaust cone **20** rigidly mounted to the aft end of support member **14** by a bracket **85**. The outer surface of the exhaust cone **20** defines the exterior surface of the tailcone aft of the casings **18**. The exhaust cone structure comprises a tapered hollow shell, with an open aft end **21** and a bulkhead **86** at the forward end. The bulkhead **86** defines an aperture **88** adapted for sealingly connecting the exhaust cone **20** to the engine exhaust. Preferably the exhaust cone **20** is constructed of the same type of light weight honeycomb composite as the rotatable casings **18**, namely either epoxy Bismaleimide or Polyimide matrix CFRP covering a honeycomb core; or alternatively a more conventional Titanium sheet and stringer construction.

Once attached to the engine exhaust, the exhaust cone **20** functions as a conduit for porting exhaust gas out of the tailcone assembly **10**, taking the place of a conventional tail pipe. The exhaust cone **20** also includes means for suppressing exhaust noise such as a felt metal facesheet **87** and felt metal baffles **89**. Importantly, the exhaust cone **20** acts as the outercasing for the muffler, thereby providing an interested muffler and exhaust case.

An adjustable height dolly **11**, shown in FI facilitates installation and removal of the tailcone assembly **10** from an aircraft. The dolly or cart, **11** includes a base portion **90** having steerable adjustable height wheels **92**, and a frame portion **94** extending vertically from and overhanging the base portion. The frame portion **94** includes fittings **97** for suspending the tailcone assembly **10** from suspension points **98** located on the top of the tailcone.

With the tailcone mounted in the dolly **11**, the dolly may be rolled up to the rear bulkhead of the aircraft for installation. Any required fine adjustments in mounting alignment are made by adjusting the height of wheels **92**. Alternatively,

6

any other suitable system for final height and angle adjustment of the tailcone assembly **10** may be used, such as adjustable height frame **94** or adjustable fittings **97** thereon. When adequately positioned and aligned, the engine's accessory connections are made and the tailcone **10** is bolted to the aircraft.

Various modifications and alterations of the above described detachable integral aircraft tailcone and power assembly will be apparent to those skilled in the art. Accordingly, the foregoing detailed description of the preferred embodiment of the invention should be considered exemplary in nature and not as limiting to the scope and spirit of the invention as set forth in the following claims.

What is claimed is:

1. An integrated muffler and exhaust cone for use in an aircraft tailcone having a gas turbine engine mounted therein, comprising:

an exhaust cone portion of an aircraft tailcone extending from a forward end to [and] an aft end that opens to ambient, said exhaust cone portion defining an interior chamber, said exhaust cone portion further having a bulkhead at the forward end that fluidly isolates the interior chamber from the remainder of said tailcone; said bulkhead also having an aperture;

a [solid] casing defining a conduit having a first end extending through said aperture, [for coupling], said first end being arranged and structured to mechanically couple to [the] an exhaust of the gas turbine engine for receiving the exhaust gas from said engine and a second end extending to said open aft end for porting the exhaust gas from said engine out of said tailcone, wherein at least a portion of said conduit is porous; and

a plurality of baffles circumscribing said [casing] conduit, each of said baffles [fluidly isolated from] in fluid communication with the hot gas flowing in said conduit [by said solid casing].

2. The integrated muffler and exhaust cone of claim 1, wherein said [casing] exhaust cone portion is made of a honeycomb composite material comprising a honeycomb core and fiber reinforced composite layers overlaying said honeycomb core, said composite layers comprising carbon fiber and plastic matrix, wherein said plastic matrix is selected from a group consisting of bismaleimide and polyimide plastics.

[3. The integrated muffler and exhaust cone of claim 1 wherein said baffles are lined with a felt metal material.]

4. The integrated muffler and exhaust cone of claim 1 [further comprising], wherein said porous portion of said conduit comprises a felt metal face sheet [disposed around said casing].

5. The integrated muffler and exhaust cone of claim 1 wherein said baffles are in contact with the felt metal face sheet [is disposed between said casing and said baffles] portion of said conduit.

6. The integrated muffler and exhaust cone of claim 1 wherein said casing is tapered.

7. The integrated muffler and exhaust cone of claim 1, wherein said baffles extend from said conduit to an inner surface of said exhaust cone.

8. The integrated muffler and exhaust cone of claim 1 further comprising a bracket located on said bulkhead for connecting the integrated muffler and exhaust cone to the aircraft tailcone.

9. The integrated muffler and exhaust cone of claim 1, wherein said exhaust cone portion is made from titanium sheets and stringer construction.

10. An integrated muffler and exhaust cone for use in an aircraft tailcone having a gas turbine engine mounted therein, comprising:

an exhaust cone portion of an aircraft tailcone extending from a forward end to an aft end that opens to ambient, said exhaust cone portion defining an interior chamber, said exhaust cone portion further having a bulkhead at the forward end that fluidly isolates the interior chamber from the remainder of said tailcone; said bulkhead also having an aperture;

a casing defining a conduit having a first end extending to said aperture, said first end being arranged and structured to mechanically couple to an exhaust of the gas turbine engine for receiving the exhaust gas from said engine and a second end extending to said open aft end for porting the exhaust gas from said engine out of said tailcone, wherein at least a portion of said conduit is porous; and

a plurality of baffles circumscribing said conduit, each of said baffles in fluid communication with the hot gas flowing in said conduit, wherein said baffles extend from said conduit to an inner surface of said exhaust cone.

11. The integrated muffler and exhaust cone of claim 10, wherein said porous portion of said conduit comprises a felt metal face sheet.

12. The integrated muffler and exhaust cone of claim 10, wherein said baffles are connected to the felt metal face sheet portion of said conduit.

13. The integrated muffler and exhaust cone of claim 1, wherein said exhaust cone portion comprises a surface defining an outer surface adapted and arranged to act as an extension of the aircraft tailcone.

14. The integrated muffler and exhaust cone of claim 1, wherein said exhaust cone portion comprises a surface that defines an outer surface adapted and arranged to act as an extension of the aircraft tailcone and said baffles extend from said conduit to said surface of said exhaust cone portion.

15. The integrated muffler and exhaust cone of claim 1, wherein said exhaust cone portion comprises a surface that defines an outer surface adapted and arranged to act as an extension of the aircraft tailcone and said bulk head extends from said conduit to said outer surface.

16. The integrated muffler and exhaust cone of claim 1, wherein the portion of the wall of said casing that extends through the aperture of said bulkhead and couples to the exhaust of the engine is solid such that the bulkhead and the portion of the casing extending through the aperture fluidly isolates the interior chamber from the remainder of said tailcone.

17. The integrated muffler and exhaust cone of claim 10, wherein the portion of the wall of said casing that extends through the aperture of said bulkhead and couples to the exhaust of the engine is solid such that the bulkhead and the portion of the casing extending through the aperture fluidly isolates the interior chamber from the remainder of said tailcone.

18. An integrated muffler and exhaust cone for use in an aircraft tailcone having a gas turbine engine mounted therein, comprising:

an exhaust cone portion of an aircraft tailcone extending from a forward end to an aft end that opens to ambient, said exhaust cone portion defining an interior chamber, said exhaust cone portion further having a bulkhead at the forward end that fluidly isolates the interior chamber from the remainder of said tailcone; said bulkhead also having an aperture;

a casing defining a conduit having a first end accommodated by said aperture of said bulkhead, said first end being arranged and structured to mechanically couple to an exhaust of the gas turbine engine for receiving the exhaust gas from said engine and a second end extending to said open aft end for porting the exhaust gas from said engine out of said tailcone, wherein at least a portion of said conduit is porous; and

a plurality of baffles circumscribing said conduit, each of said baffles in fluid communication with the hot gas flowing in said conduit.

19. The integrated muffler and exhaust cone of claim 18, wherein said exhaust cone portion is made of a honeycomb composite material comprising a honeycomb core and fiber reinforced composite layers overlaying said honeycomb core, said composite layers comprising carbon fiber and plastic matrix, wherein said plastic matrix is selected from a group consisting of bismaleimide and polyimide plastics.

20. The integrated muffler and exhaust cone of claim 18, wherein said porous portion of said conduit comprises means for suppressing exhaust noise.

21. The integrated muffler and exhaust cone of claim 18, wherein said porous portion of said conduit comprises a felt metal face sheet.

22. The integrated muffler and exhaust cone of claim 18, wherein said baffles are formed of felt metal face sheet.

23. The integrated muffler and exhaust cone of claim 21, wherein said baffles are in contact with the felt metal face sheet portion of said conduit.

24. The integrated muffler and exhaust cone of claim 18 wherein said casing is tapered.

25. The integrated muffler and exhaust cone of claim 18, wherein said baffles extend from said conduit to an inner surface of said exhaust cone.

26. The integrated muffler and exhaust cone of claim 18 further comprising a bracket located on said bulkhead for connecting the integrated muffler and exhaust cone to the aircraft tailcone.

27. The integrated muffler and exhaust cone of claim 18, wherein said exhaust cone portion is made from titanium sheets and stringer construction.

28. The integrated muffler and exhaust cone of claim 18, wherein said exhaust cone portion comprises a surface defining an outer surface adapted and arranged to act as an extension of the aircraft tailcone.

29. The integrated muffler and exhaust cone of claim 18, wherein said exhaust cone portion comprises a surface that defines an outer surface adapted and arranged to act as an extension of the aircraft tailcone and said baffles extend from said conduit to said surface of said exhaust cone portion.

30. The integrated muffler and exhaust cone of claim 18, wherein said exhaust cone portion comprises a surface that defines an outer surface adapted and arranged to act as an extension of the aircraft tailcone and said bulkhead extends from said conduit to said outer surface.

31. The integrated muffler and exhaust cone of claim 18, wherein a portion of the wall of said casing that extends through the aperture of said bulkhead and couples to the exhaust of the engine, wherein said portion is solid such that the bulkhead and said portion of the casing extending through the aperture fluidly isolates the interior chamber from the remainder of said tailcone.

32. An integrated muffler and exhaust cone for use in an aircraft tailcone having a gas turbine engine mounted therein, comprising:

an exhaust cone portion of an aircraft tailcone extending from a forward end to an aft end that opens to ambient,

said exhaust cone portion defining an interior chamber, said exhaust cone portion further having a bulkhead at the forward end that fluidly isolates the interior chamber from the remainder of said tailcone; said bulkhead also having an aperture;

a casing defining a conduit having a first end accommodated by said aperture of said bulkhead for receiving exhaust gas from a gas turbine engine and a second end extending to said open aft end for porting the exhaust gas from said engine out of said tailcone, wherein at least a portion of said conduit is porous, and wherein said first end of said conduit is located at a fixed position relative to an exhaust of the gas turbine engine; and

a plurality of baffles circumscribing said conduit, each of said baffles in fluid communication with the hot gas flowing in said conduit.

33. The integrated muffler and exhaust cone of claim 32, wherein said porous portion of said conduit comprises means for suppressing exhaust noise.

34. The integrated muffler and exhaust cone of claim 32, wherein said porous portion of said conduit comprises a felt metal face sheet.

35. The integrated muffler and exhaust cone of claim 32, wherein said baffles are formed of felt metal face sheet.

36. The integrated muffler and exhaust cone of claim 34 wherein said baffles are in contact with the felt metal face sheet portion of said conduit.

37. The integrated muffler and exhaust cone of claim 32, wherein said baffles extend from said conduit to an inner surface of said exhaust cone.

38. The integrated muffler and exhaust cone of claim 32, wherein said exhaust cone portion comprises a surface defining an outer surface adapted and arranged to act as an extension of the aircraft tailcone.

39. An integrated muffler and exhaust cone for use in an aircraft tailcone having a gas turbine engine mounted therein, comprising:

an exhaust cone portion of an aircraft tailcone extending from a forward end to an aft end that opens to ambient, said exhaust cone portion defining an interior chamber, said exhaust cone portion further having a bulkhead at the forward end that fluidly isolates the interior chamber from the remainder of said tailcone; said bulkhead also having an aperture;

a casing defining a conduit having a first end accommodated by said aperture of said bulkhead for receiving exhaust gas from a gas turbine engine and a second end extending to said open aft end for porting the exhaust gas from said engine out of said tailcone, wherein at least a portion of said conduit is porous, and wherein said conduit being capable of suppressing exhaust noise; and

a plurality of baffles circumscribing said conduit, each of said baffles in fluid communication with the hot gas flowing in said conduit.

40. The integrated muffler and exhaust cone of claim 39, wherein said porous portion of said conduit comprises means for suppressing exhaust noise.

41. The integrated muffler and exhaust cone of claim 39, wherein said porous portion of said conduit comprises a felt metal face sheet.

42. The integrated muffler and exhaust cone of claim 39, wherein said baffles are formed of felt metal face sheet.

43. The integrated muffler and exhaust cone of claim 41 wherein said baffles are in contact with the felt metal face sheet portion of said conduit.

44. The integrated muffler and exhaust cone of claim 39, wherein said baffles extend from said conduit to an inner surface of said exhaust cone.

45. The integrated muffler and exhaust cone of claim 39, wherein said exhaust cone portion comprises a surface defining an outer surface adapted and arranged to act as an extension of the aircraft tailcone.

* * * * *