



US00RE39676E

(19) **United States**
 (12) **Reissued Patent**
Nitzan

(10) **Patent Number: US RE39,676 E**
 (45) **Date of Reissued Patent: *Jun. 5, 2007**

- (54) **FLEXIBLE THIN LAYER OPEN ELECTROCHEMICAL CELL**
- (75) Inventor: **Zvi Nitzan**, Petah Tikva (IL)
- (73) Assignee: **Power Paper Ltd.** (IL)
- (*) Notice: This patent is subject to a terminal disclaimer.
- (21) Appl. No.: **10/998,354**
- (22) Filed: **Nov. 29, 2004**

Related U.S. Patent Documents

Reissue of:

- (64) Patent No.: **5,811,204**
 Issued: **Sep. 22, 1998**
 Appl. No.: **08/831,379**
 Filed: **Apr. 1, 1997**

U.S. Applications:

- (63) Continuation of application No. 08/575,190, filed on Dec. 20, 1995, now Pat. No. 5,652,043.
- (51) **Int. Cl.**
H01M 6/00 (2006.01)

- (52) **U.S. Cl.** **429/127**; 429/82; 429/152;
 429/162; 429/224; 429/229; 428/209; 428/210;
 428/688; 428/701
- (58) **Field of Classification Search** 429/127,
 429/82, 152, 162, 224, 229; 428/209, 210,
 428/688, 701
- See application file for complete search history.

- (56) **References Cited**

U.S. PATENT DOCUMENTS

641,335 A * 1/1900 Schmidt 607/149
 2,798,896 A * 7/1957 Bly 429/127
 3,023,259 A * 2/1962 Coler et al. 429/127
 3,353,999 A * 11/1967 Osborn 429/127
 3,375,136 A * 3/1968 Biggar 429/127
 3,379,574 A * 4/1968 Grulke et al. 429/116
 3,871,921 A * 3/1975 Beatty et al. 429/136
 3,901,732 A * 8/1975 Kis et al 429/82
 3,969,148 A * 7/1976 Trattner 429/100
 4,037,026 A * 7/1977 Mabuchi 429/100
 4,080,728 A * 3/1978 Buckler 29/623.4
 4,105,815 A * 8/1978 Buckler 429/152

4,119,770 A * 10/1978 Land 429/152
 4,195,121 A * 3/1980 Peterson 429/127
 4,294,898 A * 10/1981 Hartstein 429/104
 4,371,593 A * 2/1983 Ramey 429/97
 4,493,880 A * 1/1985 Lund 429/97
 4,505,996 A * 3/1985 Simonton 429/162
 4,614,695 A * 9/1986 Ibbott 429/127
 4,623,598 A * 11/1986 Waki et al. 429/162
 4,703,754 A * 11/1987 Ibbott 607/144
 4,749,875 A * 6/1988 Hara 307/150
 4,816,354 A * 3/1989 Tamminen 429/162
 5,014,946 A * 5/1991 Gruber 248/206.5
 5,019,467 A * 5/1991 Fujiwara 429/127
 5,035,965 A * 7/1991 Sangyoji et al. 429/124
 5,102,753 A * 4/1992 Rossoll et al. 429/312
 5,147,985 A * 9/1992 DuBrucq 174/260
 5,149,602 A * 9/1992 Savovic et al. 429/96
 5,156,932 A * 10/1992 Dougherty et al. 429/160
 5,180,645 A * 1/1993 More 429/127
 5,203,709 A * 4/1993 Huang 439/38
 5,208,121 A * 5/1993 Yahnke et al. 429/162
 5,254,414 A * 10/1993 Tsenter 429/29
 5,326,652 A * 7/1994 Lake 429/127
 5,350,645 A * 9/1994 Lake et al. 429/124
 5,411,592 A * 5/1995 Ovshinsky et al. 118/718
 5,432,027 A * 7/1995 Tuttle et al. 429/127

* cited by examiner

Primary Examiner—Bruce F. Bell

(74) *Attorney, Agent, or Firm*—Banner & Witcoff, Ltd.

(57) **ABSTRACT**

A flexible thin layer open liquid state electrochemical cell which can be used as a primary or rechargeable power supply for various miniaturized and portable electrically powered devices of compact design. The cell includes a wet electrolyte, yet maintains a flexible, thin and open configuration, thus devoid of accumulation of gases upon storage. The cell comprising a first layer of insoluble negative pole, a second layer of insoluble positive pole and a third layer of aqueous electrolyte, the third layer being disposed between the first and second layers and including a deliquescent material for keeping the open cell wet at all times; an electroactive soluble material for obtaining required ionic conductivity; and, a watersoluble polymer for obtaining a required viscosity for adhering the first and second layers to the third layer. The electrochemical cell of the present invention is preferably produced using a suitable printing technology.

28 Claims, 3 Drawing Sheets

FIG. 1

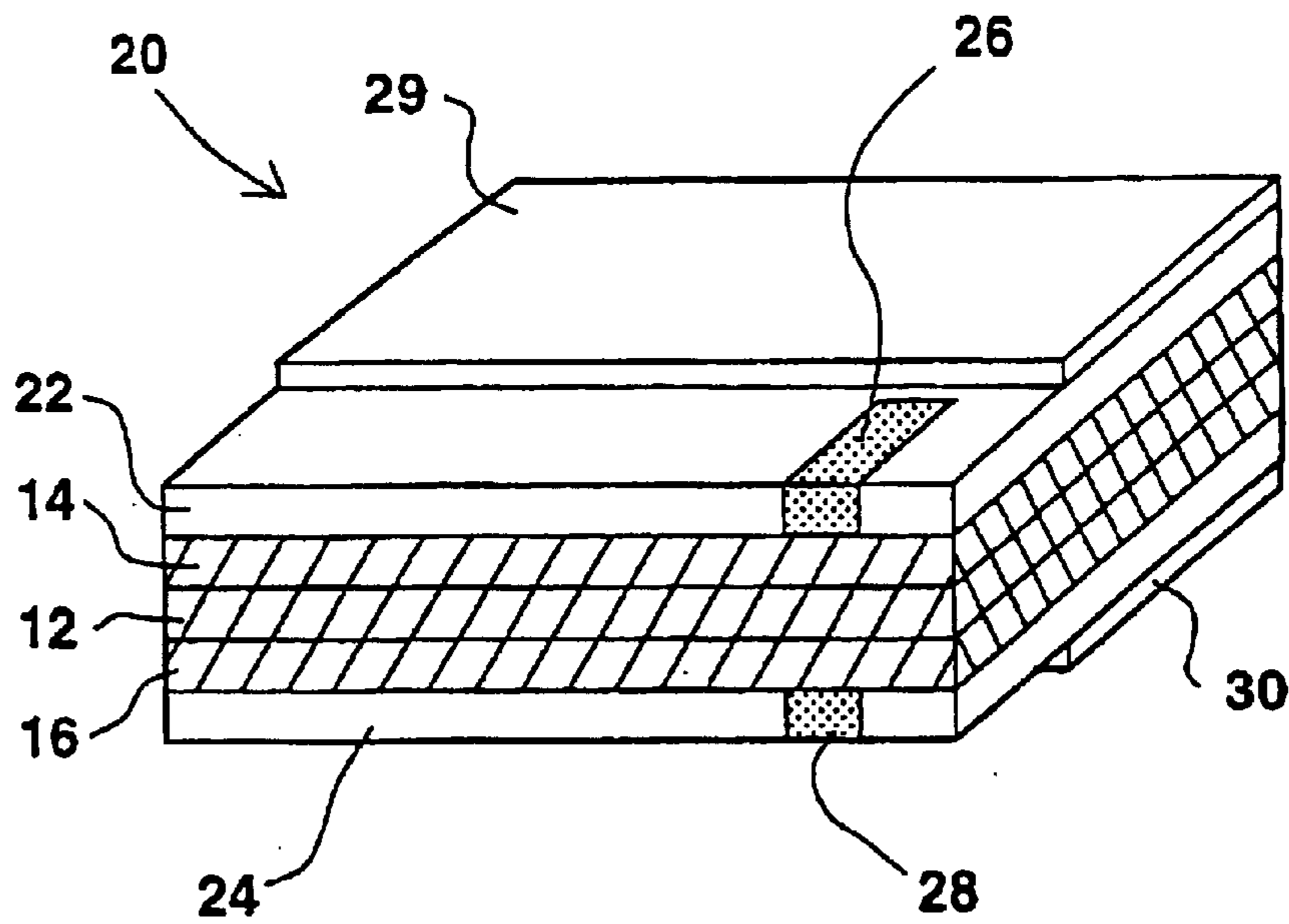
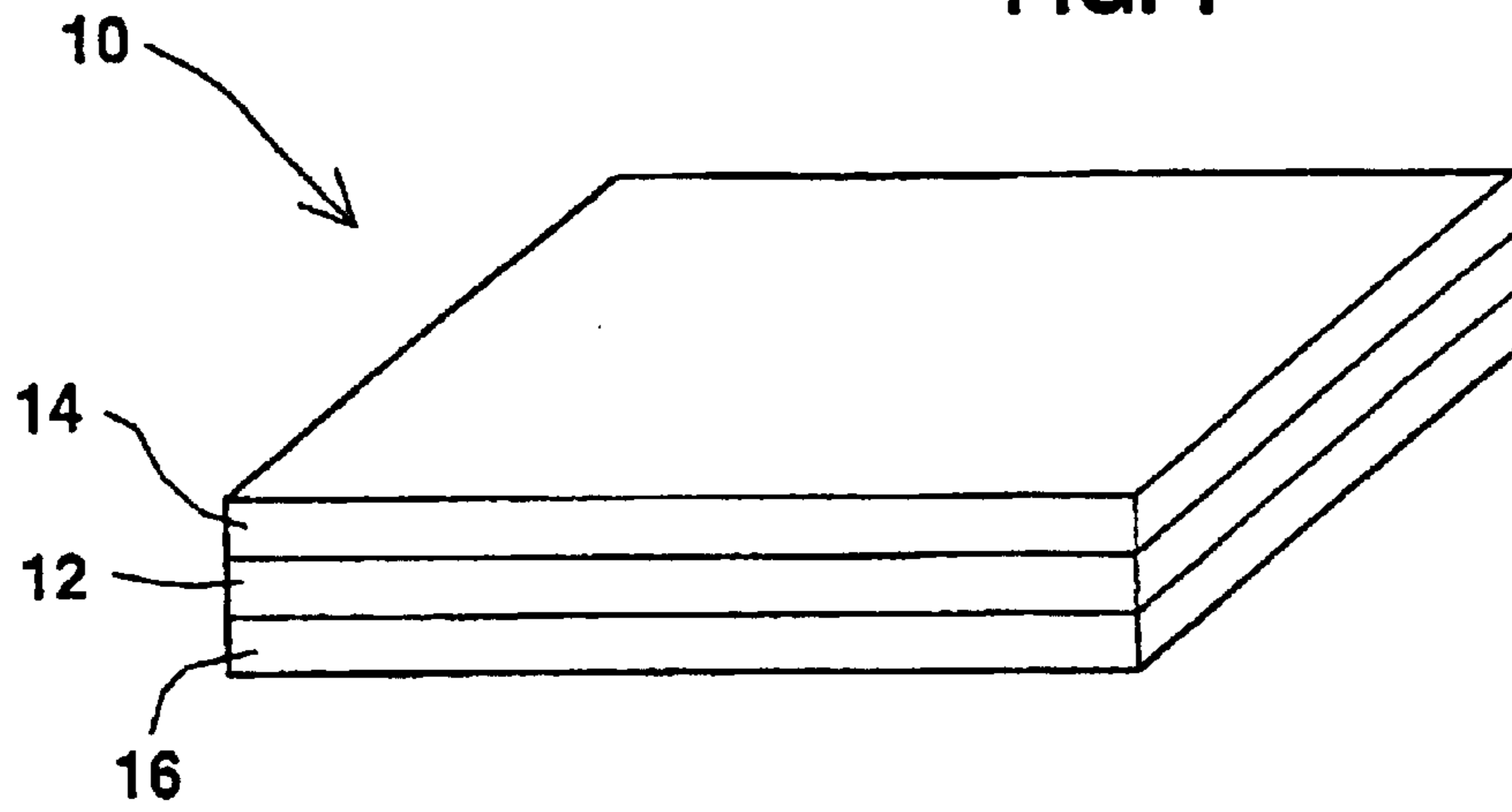
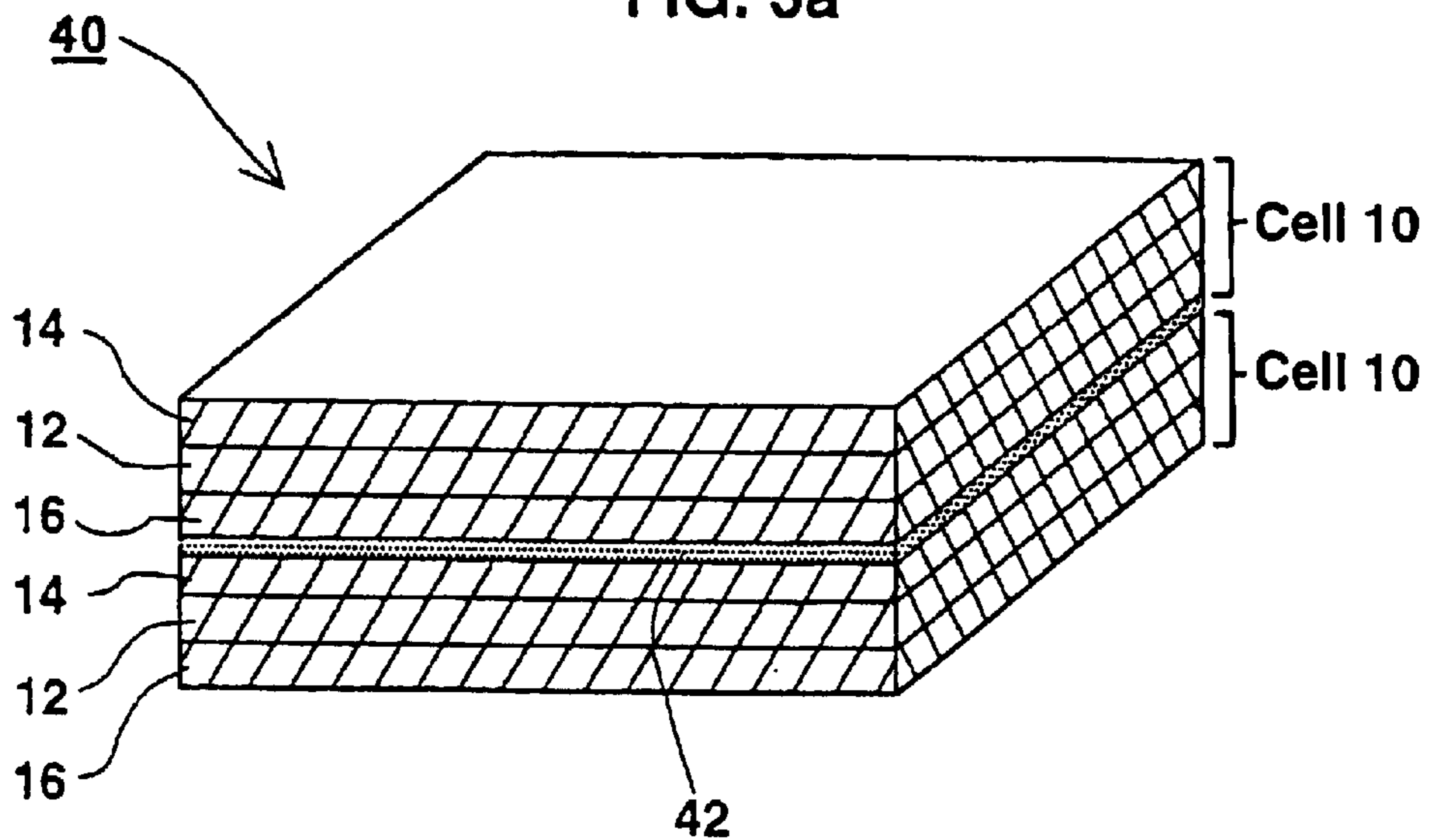


FIG. 2

FIG. 3a



50

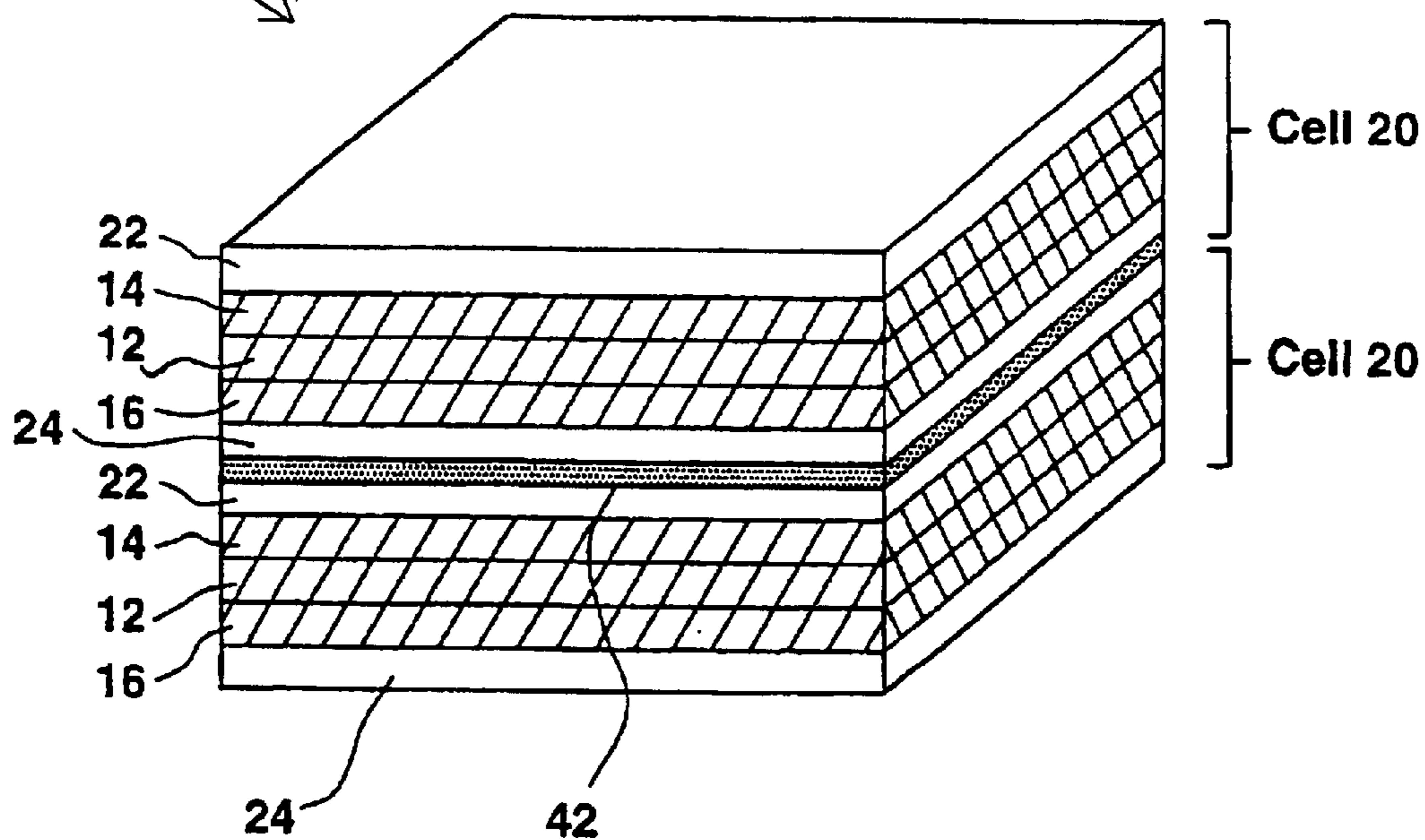
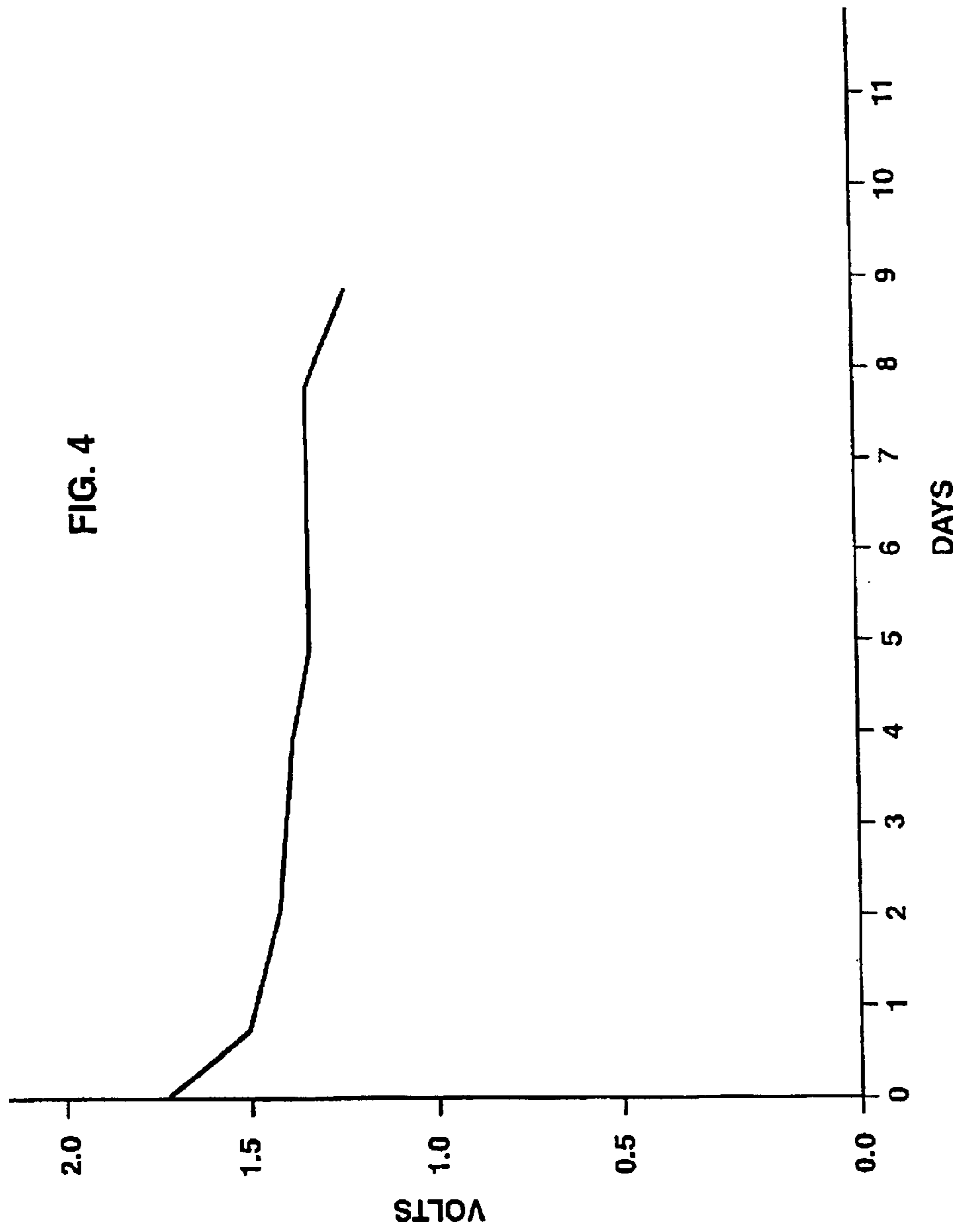


FIG. 3b



**FLEXIBLE THIN LAYER OPEN
ELECTROCHEMICAL CELL**

Matter enclosed in heavy brackets [] appears in the original patent but forms no part of this reissue specification; matter printed in italics indicates the additions made by reissue.

This is a continuation of application U.S. patent application Ser. No. 08/575,190, filed Dec. 20, 1995 now U.S. Pat. No. 5,652,043.

FIELD AND BACKGROUND OF THE
INVENTION

The present invention relates to electrochemical cells which are used as battery power sources by converting chemical energy to electrical energy. More particularly, the present invention relates to a primary or rechargeable electrochemical cell to be used as a regular or rechargeable battery which accomplishes the conversion of chemical energy to electrical energy using a wet (e.g., liquid state) electrolyte, yet maintains a flexible thin layer and open configuration.

The ever-growing development of miniaturized and portable electrically powered devices of compact design such as, for example, cellular phones, voice recording and playing devices, watches, motion and still cameras, liquid crystal displays, electronic calculators, IC cards, temperature sensors, hearing aids, pressure sensitive buzzers, etc., generates an ever-growing need of compact thin layer batteries for their operation. Therefore, there is a need for reliable thin layer electrochemical cells to be used as batteries.

Batteries can be broadly classified into two categories in which the batteries of the first category include wet electrolytes (i.e., liquid state batteries), whereas batteries of the second category include solid state electrolytes. Although solid state batteries have an inherent advantage, they do not dry out and do not leak, they suffer major disadvantages when compared with liquid state batteries since, due to limited diffusion rates of ions through a solid, their operation is temperature dependent to a much larger extent, and many operate well only under elevated temperatures. And, the limited diffusion rates thus described characterize solid state batteries with low ratios of electrical energy generated vs. their potential chemical energy. Liquid state thin layer batteries typically include a positive and negative active insoluble material layer put together with a separator interposed therebetween, which separator is soaked with a liquid electrolyte solution, thus functioning as an electrolytic liquid layer. Such batteries, an example of which is disclosed in U.S. Pat. No. 4,623,598 to Waki et al., and in Japanese Pat. No. JP 61-55866 to Fuminobu et al., have to be sealed within a sheathing film to prevent liquid evaporation, and are therefore closed electrochemical cells. Being closed cells, these batteries tend to swell upon storage due to evolution of gases which is a fatal problem in thin layer batteries having no mechanical support. The pressure imposed by the accumulated gases leads to layer separation, thus turning the battery inoperative. Means to overcome this problem include (1) the use of a polymer increased viscosity agent, such as hydroxyethylcellulose, applied to adhere (i.e., glue) the battery layers together, to overcome the inherent problem of such batteries imposed by lack of solid support; and, (2) addition of mercury to prevent the formation of gases, especially hydrogen. However, the polymer is limited in its effectiveness and the mercury is environmental hazardous.

A way to solve the above described limitation was disclosed in U.S. Pat. No. 3,901,732 to Kis et al. in which a gas-permeable electrolyte-impermeable polymeric material which allows venting of undesirable gases formed within the battery while preventing any electrolyte loss from the battery is used as a sheathing film to enclose the battery cell.

However, a more direct and efficient way to avoid undesired gas accumulation in liquid state thin layer batteries would be to provide these batteries as open cells for facilitated release of gases, while at the same time to provide means to avoid liquid evaporation and drying out of the battery.

There is thus a widely recognized need for, and it would be highly advantageous to have, a flexible thin layer open electrochemical cell devoid of both accumulation of gases and liquid evaporation limitations.

SUMMARY OF THE INVENTION

According to the present invention there is provided a flexible thin layer open liquid state electrochemical cell which can be used as a primary or rechargeable power supply for various miniaturized and portable electrically powered devices of compact design. There is further provided a method of manufacturing such a cell. The flexible thin layer open electrochemical cell of the present invention includes a wet electrolyte, yet maintains a flexible, thin and open configuration, thus devoid of accumulation of gases upon storage.

According to further features in preferred embodiments of the invention described below, the cell comprising a first layer of insoluble negative pole, a second layer of insoluble positive pole and a third layer of aqueous electrolyte, the third layer being disposed between the first and second layers and including: (a) a deliquescent material for keeping the open cell wet at all times; (b) an electroactive soluble material for obtaining required ionic conductivity; and, (c) a watersoluble polymer for obtaining a required viscosity for adhering the first and second layers to the third layer.

According to still further features in the described preferred embodiments the electrolyte layer is engaged by a porous substance.

According to still further features in the described preferred embodiments the porous substance is selected from the group consisting of a filter paper, a plastic membrane, a cellulose membrane and a cloth.

According to still further features in the described preferred embodiments the first layer of insoluble positive pole includes manganese-dioxide powder and the second layer of insoluble negative pole includes zinc powder.

According to still further features in the described preferred embodiments the first layer of insoluble negative pole and/or the second layer of insoluble positive pole further includes carbon powder and the electroactive soluble material is selected from the group consisting of zinc-chloride, zinc-bromide, zinc-fluoride and potassium-hydroxide.

According to still further features in the described preferred embodiments the first layer of insoluble negative pole includes silver-oxide powder and the second layer of insoluble positive pole includes zinc powder and the electroactive soluble material is potassium-hydroxide.

According to still further features in the described preferred embodiments the first layer of insoluble negative pole includes cadmium powder and the second layer of insoluble positive pole includes nickel-oxide powder and the electroactive soluble material is potassium-hydroxide.

According to still further features in the described preferred embodiments the first layer of insoluble negative pole includes iron powder and the second layer of insoluble positive pole includes nickel-oxide powder and the electroactive soluble material is potassium-hydroxide.

According to still further features in the described preferred embodiments the first layer of insoluble negative pole and the second layer of insoluble positive pole include lead-oxide powder, the cell is charged by voltage applied to the poles and the electroactive soluble material is sulfuric acid.

According to still further features in the described preferred embodiments the deliquescent material and the electroactive soluble material are the same material and are selected from the group consisting of zinc-chloride, zinc-bromide, zinc-fluoride and potassium-hydroxide.

According to still further features in the described preferred embodiments the deliquescent material is selected from the group consisting of calcium-chloride, calcium-bromide, potassium-biphosphate and potassium-acetate.

According to still further features in the described preferred embodiments the watersoluble polymer is selected from the group consisting of polyvinylalcohol, polyacrylamide, polyacrylic acid, polyvinylpyrrolidone, polyethylenoxide, agar, agarose, starch, hydroxyethylcellulose and combinations and copolymers thereof.

According to still further features in the described preferred embodiments the watersoluble polymer and the deliquescent material are the same material and are selected from the group consisting of dextrane, dextranesulfate and combinations and copolymers thereof.

According to still further features in the described preferred embodiments the cell further comprising terminals, each of the terminals being in electrical contact with one of the first and second pole layers.

According to still further features in the described preferred embodiments the terminal are made of graphite or a metal.

According to still further features in the described preferred embodiments the metal is selected from the group consisting of iron, nickel, titanium, copper, stainless steel and mixtures thereof, and the terminals are applied to the cell by a suitable printing technology such as, but not limited to, silk print, offset print, jet printing, lamination, materials evaporation or powder dispersion.

According to still further features in the described preferred embodiments the cell further comprising at least one conductive layer improving the electronic conductivity of at least one of the first and second pole layers.

According to still further features in the described preferred embodiments the conductive layer is selected from the group consisting of a graphite paper and carbon cloth.

According to still further features in the described preferred embodiments the cell further comprising an external layer selected from the group consisting of an adhesive backing layer, a lamina protective layer and a combination of adhesive backing layer and a lamina protective layer.

According to still further features in the described preferred embodiments provided is an electrical power supply comprising at least two cells featured as above, the cells are connected in a head to tail orientation in a bipolar-connection.

According to still further features in the described preferred embodiments the connection is by an adhesive selected from the group consisting of a conductive double sided adhesive tape and a conductive glue layer.

According to still further features in the described preferred embodiments the conductive double sided adhesive tape and the conductive glue layer are applied by a printing technology.

According to still further features in the described preferred embodiments the cell comprising a first layer of insoluble negative pole, a second layer of insoluble positive pole and a third layer of aqueous electrolyte, the third layer being disposed between the first and second layers and including: (a) a watersoluble polymer for obtaining a required viscosity for adhering the first and second layers to the third layers and for obtaining a required hygroscopicity for keeping the open cell wet at all times; and (b) an electroactive soluble material for obtaining a required ionic conductivity.

According to still further features in the described preferred embodiments the method of making a flexible thin layer open liquid state electrochemical cell comprising the steps of (a) wetting a porous substance having a first side and a second side with an aqueous solution containing a deliquescent material, an electroactive soluble material and a watersoluble polymer; (b) applying onto the first side a layer of negative pole; and (c) applying onto the second side a layer of positive pole.

According to still further features in the described preferred embodiments the wetting is by a dipping or printing technologies.

According to still further features in the described preferred embodiments the layers of negative and positive poles include active insoluble powder materials mixed with the deliquescent material, electroactive soluble material and watersoluble polymer, the application of the layers of negative and positive poles is by a printing technology.

The present invention successfully addresses the shortcomings of the presently known configurations by providing a flexible thin layer open electrochemical cell which does not accumulate gases upon storage, yet it is maintained wet and intact by the use of a deliquescent material for keeping it wet at all times and a watersoluble polymer for obtaining the required viscosity for adhering the pole layers to the aqueous electrolyte layer. Further qualities of the cell include having no outer rigid casing therefore it is thin light and flexible and may be manufactured in any size, shape, color and applied patterns, hence it is suitable for a variety of applications; cost effectiveness; made of environmental and human friendly materials; and, self sticking via an adhesive backing.

BRIEF DESCRIPTION OF THE DRAWINGS

The invention herein described, by way of example only, with reference to the accompanying drawings, wherein:

FIG. 1 is a perspective view of a basic configuration of a flexible thin layer open electrochemical cell according to the teachings of the present invention;

FIG. 2 is a perspective view of another possible configuration of a flexible thin layer open electrochemical cell;

FIGS. 3a and 3b are perspective views of two possible configurations of power supplies formed by a bi-polar connection of two cells of FIG. 1 and FIG. 2, respectively, to additively increase the electrical energy obtained of thus formed electrical power supplies; and

FIG. 4 is a graph presenting the voltage of a flexible thin layer open electrochemical cell according to the present invention, as measured by a voltmeter, as function of time, under room conditions.

5

DESCRIPTION OF THE PREFERRED EMBODIMENTS

The present invention is of a flexible thin layer open electrochemical cell which can be used as a primary or rechargeable power supply for various miniaturized and portable electrically powered devices of compact design. The flexible thin layer open electrochemical cell of the present invention includes a wet electrolyte, yet maintains a flexible, thin and open configuration, thus devoid of accumulation of gases upon storage.

The principles and operation of a flexible thin layer open electrochemical cell according to the present invention may be better understood with reference to the drawings and accompanying descriptions.

Referring now to the drawings, FIG. 1 illustrates a basic configuration of the flexible thin layer open electrochemical cell of the present invention, generally designated **10**. Cell **10** includes three layers as follows. A first layer of insoluble negative pole **14**, a second layer of insoluble positive pole **16** and a third layer of aqueous electrolyte **12**. As used in this document, on discharged negative pole is where an oxidation occurs, whereas the positive pole is where reduction occurs. The aqueous electrolyte layer **12** includes a deliquescent (i.e., hygroscopic) material for keeping open cell **10** wet at all times; an electroactive soluble material for obtaining the required ionic conductivity; and a watersoluble polymer for obtaining the required viscosity for adhering pole layers **14** and **16** to aqueous electrolyte layer **12**. Following is a more detailed description of each of layers **14**, **16** and **12** and their role in open cell **10** operation.

The aqueous electrolyte layer **12** typically includes a porous insoluble substance, such as but not limited to, filter paper, plastic membrane, cellulose membrane, cloth, etc., the porous substance is wetted by an aqueous solution including three components: a deliquescent material; an electroactive soluble material; and a watersoluble polymer.

The deliquescent material by being hygroscopic maintains cell **10** moisturized at all times. The level of moisture within open cell **10** may vary depending on deliquescent material selection, its concentration and air humidity. Suitable deliquescent materials include, but are not limited to, calcium-chloride, calcium-bromide, potassium-biphosphate, potassium-acetate and combinations thereof.

The electroactive soluble material is selected in accordance with the materials of which the negative and positive pole layers are made. A list of frequently used electroactive soluble materials suitable for the present invention includes for example zinc-chloride, zinc-bromide and zinc-fluoride for various primary cells and potassium-hydroxide and sulfuric-acid for rechargeable cells.

The watersoluble polymer is employed as an adhesive agent to adhere (i.e., glue) pole layers **14** and **16** to the aqueous electrolyte layer **12**. Many types of polymers are suitable ones, such as for example polyvinylalcohol, polyacrylamide, polyacrylic acid, polyvinylpyrrolidone, polyethylenoxide, agar, agarose, starch, hydroxyethylcellulose and combinations and copolymers thereof.

Each of negative and positive pole layers **14** and **16** includes a mix of a suitable (negative or positive, respectively) active insoluble powder material with an aqueous solution similar to the solution described hereinabove, including a deliquescent material; an electroactive soluble material; and a watersoluble polymer.

It is clear to those with skills in the art that while the electroactive soluble material should not change, the deli-

6

quescent material and the watersoluble polymer may be selected otherwise in the later solution, in other words, the electroactive soluble material should be kept the same in all three layers **12**, **14** and **16**, whereas the deliquescent material and the watersoluble polymer may be varied between layers according to the specific application.

Appropriate selection of active insoluble powder materials for the negative **14** and positive **16** pole layers with a matching electroactive soluble material, as exemplified hereinbelow in the Examples, provides flexible thin layer cell **10** which can be used as a power supply (i.e., a battery), which cell **10** is open and therefore does not accumulate gases upon storage, yet the hygroscopicity of the deliquescent material ensures that cell **10** is kept wet at all times although open. Suitable pairs of materials to be used in negative **14** and positive **16** poles include, but are not limited to, manganese-dioxide/zinc; silver-oxide/zinc; cadmium/nickel-oxide; and iron/nickel-oxide (the manganese-dioxide and the silver-oxide are optionally mixed with a conductive carbon powder as known in the art).

It is clear to those with skills in the art that a single material may function both as a deliquescent material and as the electroactive soluble material. Such a material should however acquire suitable electroactive and hygroscopic characteristics. Suitable materials of this type include, but are not limited to, zinc-chloride and zinc-bromide.

It is further clear to those with skills in the art that a single material may function as a deliquescent material and as a watersoluble polymer. Such a material should however acquire suitable hygroscopic adhesiveness characteristics. Suitable materials of this type include, but are not limited to, dextrane, dextranesulfate and combinations and copolymers thereof.

The three layers **12**, **14** and **16**, presented in FIG. 1 and described hereinabove may be manufactured thin and are flexible, therefore cell **10** is flexible and as thin as 0.5–1.5 mm or less. It is presently preferred and will be further detailed below that cell **10** will be manufactured by a suitable printing technology. Suitable printing technologies include, but are not limited to, silk print, offset print, jet printing, lamination, materials evaporation and powder dispersion.

Another possible configuration is shown in FIG. 2 illustrating a cell, generally assigned **20**. As cell **10**, cell **20** also includes layers **12**, **14** and **16** (stripped region) forming a basic cell. Cell **20** further includes additional one or two conductive layers **22** and **24**, to improve the electronic conductivity of negative **14** and/or positive **16** pole layers. Suitable conductive layers are graphite paper, carbon cloth, etc. Cell **20** also includes negative **26** and positive **28** terminals, which terminals **26** and **28** are in electrical contact with either the corresponding pole layer **14** and **16**, respectively, or with the corresponding conductive layer **22** and **24**, respectively, or both. Terminals **26** and **28** are made of any suitable materials such as, but not limited to, graphite or metals such as iron, nickel, titanium, copper, stainless steel and mixtures thereof, and are preferably applied to cell **20** by a suitable printing technology such as the ones listed above. Terminals **26** and **28** are used to electrically connect cell **20** to a load such as an electrically powered device. Terminals **26** and **28** may be located in any desired location of cell **20**, may acquire any suitable shape and size and, depending on the specific application, terminals **26** and **28** may protrude from the surface of cell **20**. Cell **20** may further include at least one externally located adhesive backing **29**, to enable attaching cell **20** to various surfaces, and/or at least

one externally located lamina protective layer 30 to physically protect all other layers.

Yet another configuration is shown in FIGS. 3a-b. Two or more cells 10, as shown in FIG. 3a, or cells 20, as shown in FIG. 3b, may be electrically connected by a bi-polar connection to additively increase the electrical energy obtained of thus formed electrical power supplies 40 and 50, respectively. For this purpose two or more cells are adhered to one another in a head to tail orientation, as indicated in FIGS. 3a-b by layers 22, 14, 12, 16 and 24 arrangement, by a conductive double sided adhesive tape, or a conductive glue layer 42 applied for example by a suitable printing technology, enabling passage of electrons between adjacent cells. It is clear that electrical power supplies 40 and/or 50 may further include externally located adhesive backing(s) similar to surface 29 of FIG. 2 and/or externally located lamina protective layer(s), similar to layer 30 of FIG. 2. It is further clear that electrical power supplies 40 and 50 may include a negative and a positive terminal similar to terminals 26 and 28, respectively, of FIG. 2.

The present invention further includes a method of making a flexible thin layer open liquid state electrochemical cells similar to the cells described above, the method includes the steps of (a) wetting a porous substance an aqueous solution containing a deliquescent material, an electroactive soluble material and a watersoluble polymer; wetting may be achieved by either dipping or printing technologies; (b) applying onto one side of the porous substance a negative pole layer; and, (c) applying onto the second side of the porous substance a positive pole layer. The negative and positive pole layers include active insoluble powder substances mixed with the deliquescent material, electroactive soluble material and watersoluble polymer preferably of the same types as under (a), and are preferably applied using a suitable printing technology selected for example from the ones listed above.

The method may further include adding to the cell additional layers and parts, such as but not limited to, externally located adhesive backing(s) and/or lamina protective layer (s), and negative and a positive terminals. Yet, the method may further include bi-polar joining of two or more cells, for example with a conductive double sided adhesive tape or a conductive glue layer applied for example by a suitable printing technology, to form a power supply with an increased power (e.g., substantially doubled, tripled, etc.). According to the present invention such bi-polar joining may be performed by joining together in a head to tail orientation two or more premanufactured cells, or alternatively, directly manufacturing two or more cells thus oriented, by applying suitable layer one after the other, preferably using a suitable printing technology as described above.

The flexible thin layer open electrochemical cell of the present invention has a major advantage over prior art thin layer cells. Since it is an open cell it does not accumulate gases upon storage, yet it is maintained wet and intact by the use of a deliquescent material for keeping it wet at all times and a watersoluble polymer for obtaining the required viscosity for adhering the pole layers to the aqueous electrolyte layer.

The flexible thin layer open electrochemical cell of the present invention has other qualities as follows. First, it has no outer rigid casing therefore it is thin light and flexible and may be manufactured in any size, shape, color and applied patterns, hence it is suitable for a variety of applications. Second, by using a suitable printing technology for

its manufacturing its cost is reduced and therefore it may be disposed after use partly since large sheets can be produced and cut to any desired size following printing and partly since this technology is inherently cost effective. Third, it is preferably made of environmental and human friendly materials (it preferably contains no mercury or heavy metals). And finally, it may be manufactured self sticking via an adhesive backing.

Reference is now made to the following examples, which together with the above descriptions, illustrate the invention.

EXAMPLE 1

A solution containing 120 mg of polyvinylalcohol (an aqueous soluble polymer) and 1680 mg of zinc-chloride (a deliquescent material and an electroactive soluble material) in 1.2 ml of water was prepared. This solution had a glue like viscous appearance. A 4.5 cm×7 cm strip of a filter paper was thoroughly wetted with this solution by a printing or dipping technologies. A mixture of 300 mg zinc powder with the above solution was prepared and was printed on one side of the paper strip serving as the negative pole layer. On the other side printed was a mixture of 250 mg manganese-dioxide and 50 mg of a conductive carbon powder, together with the above solution, serving as the positive pole layer. When electrical contacts were made with both sides and were connected over a load an electrical current was measured. A current of 12 microampers per cm² at a voltage of 1.7+1.2 volts was easily maintained for five days continuously under room conditions.

EXAMPLE 2

An open cell was prepared as described under Example 1 above and was connected to a voltmeter. As shown in FIG. 4, measurement of the voltage produced by the cell under room conditions revealed a pronounced voltage of 1.7+1.2 sustained for nine successive days.

EXAMPLE 3

A saturated potassium-hydroxide solution is prepared and brought to the viscosity of a glue by mixing with a water soluble polymer. A porous substance (e.g., a filter paper) is thoroughly wetted with this solution and a mixture of the solution with nickel-oxide powder is pasted on one side of the porous substance to form a positive pole layer and, a similar mixture with cadmium powder is pasted on the other side of the porous substance to form a negative pole layer. By connecting a voltmeter to the two sides a voltage of 1.2 volts is measured and a high current is measured when the two layers are contacted over a load. The cell does not dry out in the open and can be recharged if so desired.

EXAMPLE 4

The same potassium-hydroxide solution as in Example 3 is prepared and a porous substance is wetted with it. A mixture of the solution with zinc powder is pasted on one side of the porous substance to form a negative pole layer and a similar mixture with silver-oxide powder containing some carbon powder if so desired is pasted on the other side of the porous substance to form a positive pole layer. By connecting a voltmeter to the two sides a voltage of 1.2 volts is measured and appreciable current is measured when the two layers are contacted over a load. The cell does not dry out in the open and can be recharged if so desired.

EXAMPLE 5

The same potassium-hydroxide solution as in Example 3 is prepared and a porous substance is wetted with it. A

9

mixture of the solution with zinc powder is pasted on one side of the porous substance to form a negative pole layer and a similar mixture with manganese-dioxide powder containing some carbon powder if so desired is pasted on the other side of the porous substance to form a positive pole layer. By connecting a voltmeter to the two sides a voltage of 1.5 volts is measured and appreciable current is measured when the two layers are contacted over a load. The cell does not dry out in the open. Recharging thus formed cell may be troublesome.

EXAMPLE 6

The same potassium-hydroxide solution as in Example 3 is prepared and a porous substance is wetted with it. A mixture of the solution with nickel-oxide powder is pasted on one side of the porous substance to form a positive pole layer and a similar mixture with iron powder is pasted on the other side of the porous substance to form a negative pole layer. By connecting a voltmeter to the two sides a voltage of 0.9 volts is measured and a current can be measured when the two layers are contacted over a load. The cell does not dry out in the open and some recharged is possible if so desired.

EXAMPLE 7

A 30% sulfuric acid solution is prepared and brought to the viscosity of a glue by mixing with a water soluble polymer. A porous substance (e.g., a filter paper) is thoroughly wetted with this solution and a mixture of the solution with lead-oxide is pasted on both sides of the porous substance. Both sides are connected to a power supply and a voltage higher than 2 volts is applied by which the cell is charged. Charge and discharge cycles can be repeated without the cell drying out in the open.

While the invention has been described with respect to a limited number of embodiments, it will be appreciated that many variations, modifications and other applications of the invention may be made.

What is claimed is:

1. A flexible thin layer open liquid state electrochemical cell comprising a first layer of insoluble negative pole, a second layer of insoluble positive pole and a third layer of aqueous electrolyte, said third layer being disposed between said first and second layer and including:

- (a) a deliquescent material for keeping the open cell wet at all times;
- (b) an electroactive soluble material for obtaining required ionic conductivity; and
- (c) a watersoluble polymer for obtaining a required viscosity for adhering said first and second layers to said third layer.

2. A cell as in claim 1, wherein said first layer of insoluble positive pole includes manganese-dioxide powder and said second layer of insoluble negative pole includes zinc powder.

3. [A cell as in claim 2, wherein] *A flexible thin layer open liquid state electrochemical cell comprising a first layer of insoluble negative pole, a second layer of insoluble positive pole and a third layer of aqueous electrolyte, said third layer being disposed between said first and second layers and including:*

- (a) *a deliquescent material for keeping the open cell wet at all times;*
- (b) *an electroactive soluble material for obtaining required ionic conductivity; and*

10

(c) *a watersoluble polymer for obtaining a required viscosity for adhering said first and second layers to said third layer; wherein said first layer of insoluble negative pole includes zinc powder, said second layer of insoluble positive pole includes manganese-dioxide powder, and said electroactive soluble material is selected from the group consisting of zinc-chloride, zinc-bromide, zinc-fluoride and potassium-hydroxide.*

4. [A cell as in claim 1] *A flexible thin layer open liquid state electrochemical cell comprising a first layer of insoluble negative pole, a second layer of insoluble positive pole and a third layer of aqueous electrolyte, said third layer being disposed between said first and second layers and including:*

- (a) *a deliquescent material for keeping the open cell wet at all times;*
- (b) *an electroactive soluble material for obtaining required ionic conductivity; and*
- (c) *a watersoluble polymer for obtaining a required viscosity for adhering said first and second layers to said third layer, wherein said first layer of insoluble negative pole includes [silver-oxide powder] zinc powder and said second layer of insoluble positive pole includes [zinc powder] silver-oxide powder.*

5. A cell as in claim 4, wherein said electroactive soluble material is potassium-hydroxide.

6. [A cell as in claim 1] *A flexible thin layer open liquid state electrochemical cell comprising a first layer of insoluble negative pole, a second layer of insoluble positive pole and a third layer of aqueous electrolyte, said third layer being disposed between said first and second layers and including:*

- (a) *a deliquescent material for keeping the open cell wet at all times;*
- (b) *an electroactive soluble material for obtaining required ionic conductivity; and*
- (c) *a watersoluble polymer for obtaining a required viscosity for adhering said first and second layers to said third layer, wherein said first layer of insoluble negative pole includes cadmium powder and said second layer of insoluble positive pole includes nickel-oxide powder.*

7. A cell as in claim 6, wherein said electroactive soluble material is potassium-hydroxide.

8. [A cell as in claim 1] *A flexible thin layer open liquid state electrochemical cell comprising a first layer of insoluble negative pole, a second layer of insoluble positive pole and a third layer of aqueous electrolyte, said third layer being disposed between said first and second layers and including:*

- (a) *a deliquescent material for keeping the open cell wet at all times;*
- (b) *an electroactive soluble material for obtaining required ionic conductivity; and*
- (c) *a watersoluble polymer for obtaining a required viscosity for adhering said first and second layers to said third layer, wherein said first layer of insoluble negative pole includes iron powder and said second layer of insoluble positive pole includes nickel-oxide powder.*

9. A cell as in claim 8, wherein said electroactive soluble material is potassium-hydroxide.

10. [A cell as in claim 1] *A flexible thin layer open liquid state electrochemical cell comprising a first layer of insoluble negative pole, a second layer of insoluble positive pole and a third layer of aqueous electrolyte, said third layer being disposed between said first and second layers and including:*

11

- (a) a deliquescent material for keeping the open cell wet at all times;
- (b) an electroactive soluble material for obtaining required ionic conductivity; and
- (c) a watersoluble polymer for obtaining a required viscosity for adhering said first and second layers to said third layer, wherein said first layer of insoluble negative pole and said second layer of insoluble positive pole include lead-oxide powder, the cell is charged by voltage applied to said poles.

11. A cell as in claim 10, wherein said electroactive soluble material is sulfuric-acid.

12. [A cell as in claim 1] A flexible thin layer open liquid state electrochemical cell comprising a first layer of insoluble negative pole, a second layer of insoluble positive pole and a third layer of aqueous electrolyte, said third layer being disposed between said first and second layers and including:

- (a) a deliquescent material for keeping the open cell wet at all times;
- (b) an electroactive soluble material for obtaining required ionic conductivity; and
- (c) a watersoluble polymer for obtaining a required viscosity for adhering said first and second layers to said third layer, wherein said deliquescent material and said electroactive soluble material are the same material.

13. A cell as in claim 12, wherein said same material is selected from the group consisting of zinc-chloride, zinc-bromide, zinc-fluoride and potassium-hydroxide.

14. [A cell as in claim 1] A flexible thin layer open liquid state electrochemical cell comprising a first layer of insoluble negative pole, a second layer of insoluble positive pole and a third layer of aqueous electrolyte, said third layer being disposed between said first and second layers and including:

- (a) a deliquescent material for keeping the open cell wet at all times;
- (b) an electroactive soluble material for obtaining required ionic conductivity; and
- (c) a watersoluble polymer for obtaining a required viscosity for adhering said first and second layers to said third layer, wherein said deliquescent material is selected from the group consisting of calcium-chloride, calcium-bromide, potassium-biphosphate and potassium-acetate.

15. [A cell as in claim 1] A flexible thin layer open liquid state electrochemical cell comprising a first layer of insoluble negative pole, a second layer of insoluble positive pole and a third layer of aqueous electrolyte, said third layer being disposed between said first and second layers and including:

- (a) a deliquescent material for keeping the open cell wet at all times;
- (b) an electroactive soluble material for obtaining required ionic conductivity; and
- (c) a watersoluble polymer for obtaining a required viscosity for adhering said first and second layers to said third layer, wherein said watersoluble polymer is selected from the group consisting of polyvinylalcohol, polyacrylamide, polyacrylic acid, polyvinylpyrrolidone, polyethylenoxide, agar, agarose, starch, hydroxyethyl-cellulose and combinations and copolymers thereof.

16. [A cell as in claim 1] A flexible thin layer open liquid state electrochemical cell comprising a first layer of

12

insoluble negative pole, a second layer of insoluble positive pole and a third layer of aqueous electrolyte, said third layer being disposed between said first and second layers and including:

- (a) a deliquescent material for keeping the open cell wet at all times;
- (b) an electroactive soluble material for obtaining required ionic conductivity; and
- (c) a watersoluble polymer for obtaining a required viscosity for adhering said first and second layers to said third layer, wherein said watersoluble polymer and said deliquescent material are the same material.

17. A cell as in claim [1] 16, wherein said same material is selected from the group consisting of dextrane, dextrane-sulfate and combinations and copolymers thereof.

18. [A cell as in claim 1] A flexible thin layer open liquid state electrochemical cell comprising a first layer of insoluble negative pole, a second layer of insoluble positive pole and a third layer of aqueous electrolyte, said third layer being disposed between said first and second layers and including:

- (a) a deliquescent material for keeping the open cell wet at all times;
- (b) an electroactive soluble material for obtaining required ionic conductivity; and
- (c) a watersoluble polymer for obtaining a required viscosity for adhering said first and second layers to said third layer, further comprising terminals, each of said terminals being in electrical contact with one of said first and second pole layers.

19. A cell as in claim 18, wherein said [terminal] terminals are made of graphite.

20. [A cell as in claim 1] A flexible thin layer open liquid state electrochemical cell comprising a first layer of insoluble negative pole, a second layer of insoluble positive pole and a third layer of aqueous electrolyte, said third layer being disposed between said first and second layers and including:

- (a) a deliquescent material for keeping the open cell wet at all times;
- (b) an electroactive soluble material for obtaining required ionic conductivity; and
- (c) a watersoluble polymer for obtaining a required viscosity for adhering said first and second layers to said third layer, further comprising at least one conductive layer improving the electronic conductivity of at least one of said first and second pole layers.

21. A cell as in claim 20, wherein said conductive layer is selected from the group consisting of a graphite paper and carbon cloth.

22. [A cell as in claim 1] A flexible thin layer open liquid state electrochemical cell comprising a first layer of insoluble negative pole, a second layer of insoluble positive pole and a third layer of aqueous electrolyte, said third layer being disposed between said first and second layers and including:

- (a) a deliquescent material for keeping the open cell wet at all times;
- (b) an electroactive soluble material for obtaining required ionic conductivity; and
- (c) a watersoluble polymer for obtaining a required viscosity for adhering said first and second layers to said third layer, further comprising an external layer selected from the group consisting of an adhesive backing layer, a lamina protective layer and a combination of adhesive backing layer and a lamina protective layer.

13

23. An electrical power supply comprising two cells [as in claim 1] being connected in a head to tail orientation in a bipolar-connection *wherein the cells are each a flexible thin layer open liquid state electrochemical cell comprising a first layer of insoluble negative pole, a second layer of insoluble positive pole and a third layer of aqueous electrolyte, said third layer being disposed between said first and second layers and including:*

- (a) a deliquescent material for keeping the open cell wet at all times;
- (b) an electroactive soluble material for obtaining required ionic conductivity; and
- (c) a watersoluble polymer for obtaining a required viscosity for adhering said first and second layers to said third layer.

24. An electrical power supply as in claim 23, wherein said connection is by an adhesive selected from the group consisting of a conductive double sided adhesive tape and a conductive glue layer.

25. An electrical power supply as in claim 24, wherein said conductive double sided adhesive tape and said conductive glue layer are applied by a printing technology.

14

26. A method of making a flexible thin layer open liquid state electrochemical cell comprising the steps of:

- (a) wetting a porous substance having a first side and a second side with an aqueous solution containing a deliquescent material, an electroactive soluble material and a watersoluble polymer;
- (b) applying onto said first side a layer of negative pole; and
- (c) applying onto said second side a layer of positive pole.

27. A method as in claim 26, wherein said wetting is by a dipping technology.

28. A method as in claim 26, wherein said wetting is by a printing technology.

29. A method as in claim 26, wherein said layers of negative and positive poles include active insoluble powder materials mixed with said deliquescent material, electroactive soluble material and watersoluble polymer.

30. A method as in claim 26, wherein said application of said layers of negative and positive poles is by a printing technology.

* * * * *