



US00RE39594E

(19) **United States**
(12) **Reissued Patent**
Hsieh

(10) **Patent Number: US RE39,594 E**
(45) **Date of Reissued Patent: May 1, 2007**

(54) **TRIANGLE ROAD SIGN WITH SOLAR POWER-DRIVEN FLASHING LIGHT MEANS**

(76) Inventor: **Chin-Keng Hsieh**, 315 Apollo Rd., Richardson, TX (US) 75081

(21) Appl. No.: **10/794,437**

(22) Filed: **Mar. 4, 2004**

4,613,847 A	*	9/1986	Scolari et al.	340/473
4,875,028 A	*	10/1989	Chou	340/473
5,572,188 A	*	11/1996	McDowell, II	340/473
5,606,309 A	*	2/1997	Smith	340/473
5,627,513 A	*	5/1997	Weed et al.	340/473
5,651,636 A	*	7/1997	Yeh	404/9
D409,515 S		5/1999	Chen	
5,970,639 A	*	10/1999	Hui	40/610
6,092,318 A	*	7/2000	Arie et al.	40/547

* cited by examiner

Related U.S. Patent Documents

Reissue of:

(64) Patent No.: **6,389,720**
Issued: **May 21, 2002**
Appl. No.: **09/553,671**
Filed: **Apr. 20, 2000**

(51) **Int. Cl.**
G09F 21/04 (2006.01)

(52) **U.S. Cl.** **40/593; 40/612; 40/903;**
40/541; 116/63 T; 340/473

(58) **Field of Classification Search** **40/591,**
40/592, 593, 612, 903, 541, 581, 610; 116/63 T,
116/63 P; 340/473

See application file for complete search history.

(56) **References Cited**

U.S. PATENT DOCUMENTS

3,625,177 A	*	12/1971	Miller	116/63 P
3,822,668 A	*	7/1974	Schradieck et al.	116/63 P
3,908,581 A	*	9/1975	Zeizel	116/63 P

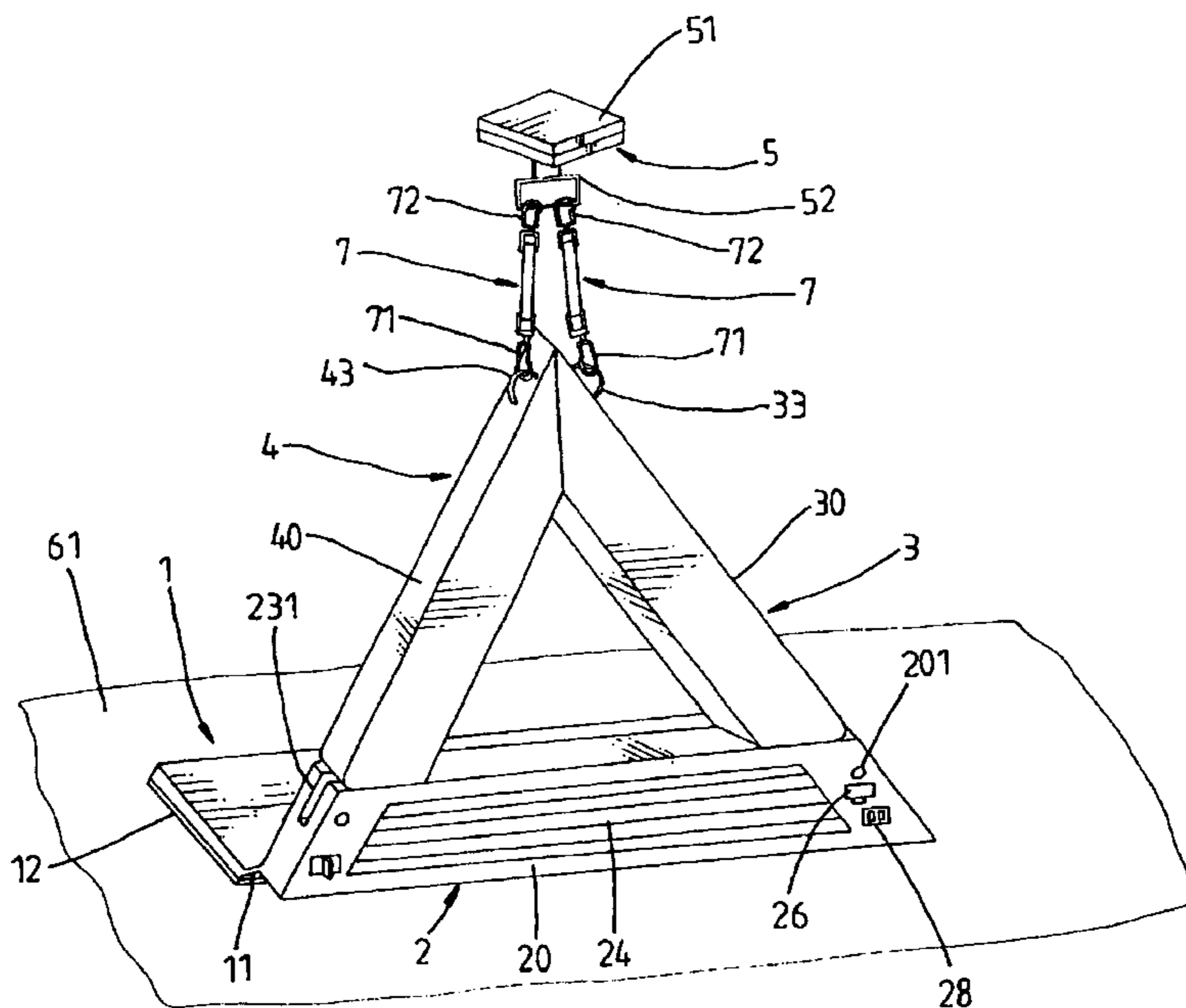
Primary Examiner—Gary C. Hoge

(74) *Attorney, Agent, or Firm*—Haynes and Boone, LLP

(57) **ABSTRACT**

A triangle road sign having a bottom rack, a left frame bar and a right frame bar respectively pivoted to two distal ends of the bottom rack and detachably coupled to each other to form a triangle rack with the bottom rack, a device for securing the triangle rack to the inside of a car, indicator lights respectively installed in the bottom rack, the left frame bar and the right frame bar and controlled to flash by a control switch at the bottom rack, a solar collector installed in the bottom rack to collect solar energy and to convert collected solar energy into electricity for the signal lights at the bottom rack, the left frame bar and the right frame bar, a battery box installed in the bottom rack and controlled by the control switch to provide the necessary working voltage to the signal lights, an alternating current adapter controlled by the control switch to convert alternating current power supply to direct current power supply for the signal lights.

5 Claims, 9 Drawing Sheets



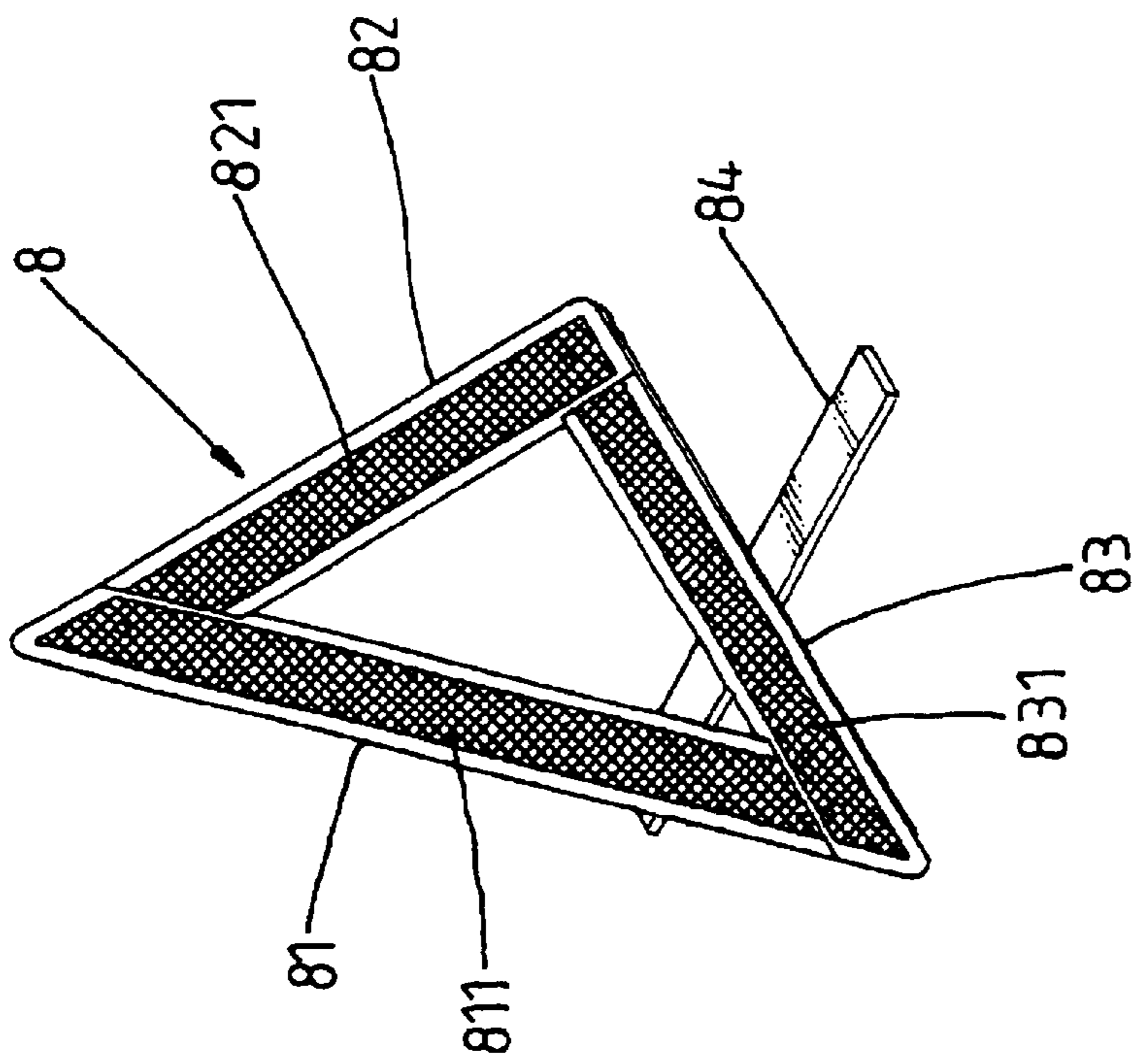


Fig. 1 PRIOR ART

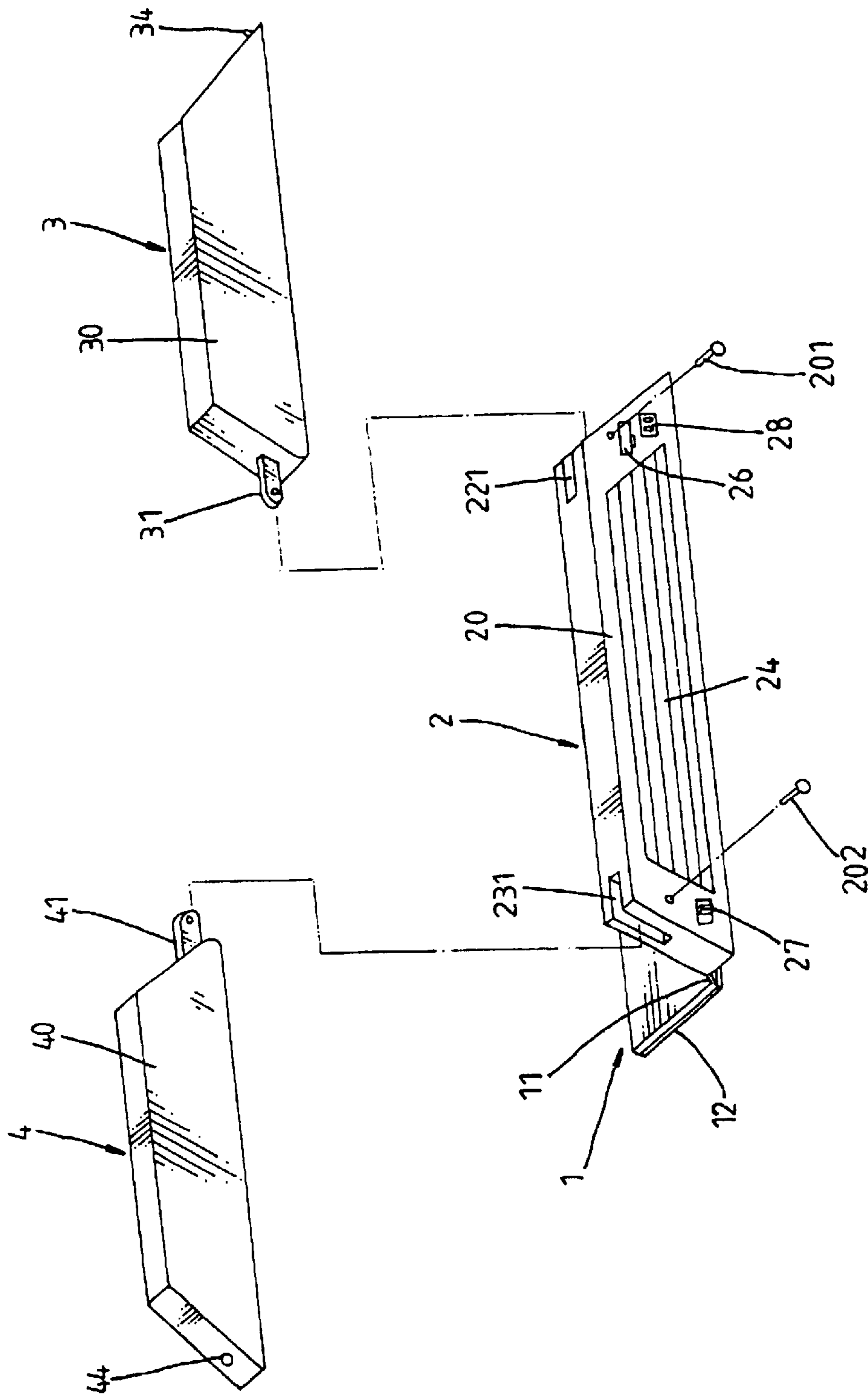


Fig. 2

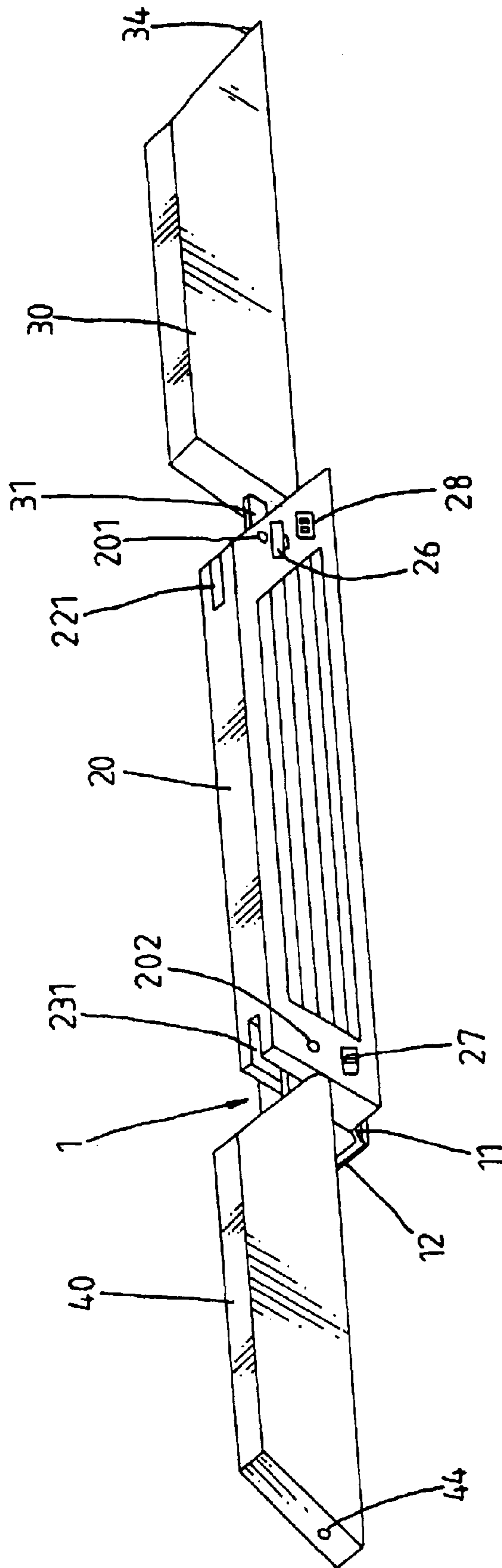


Fig. 3

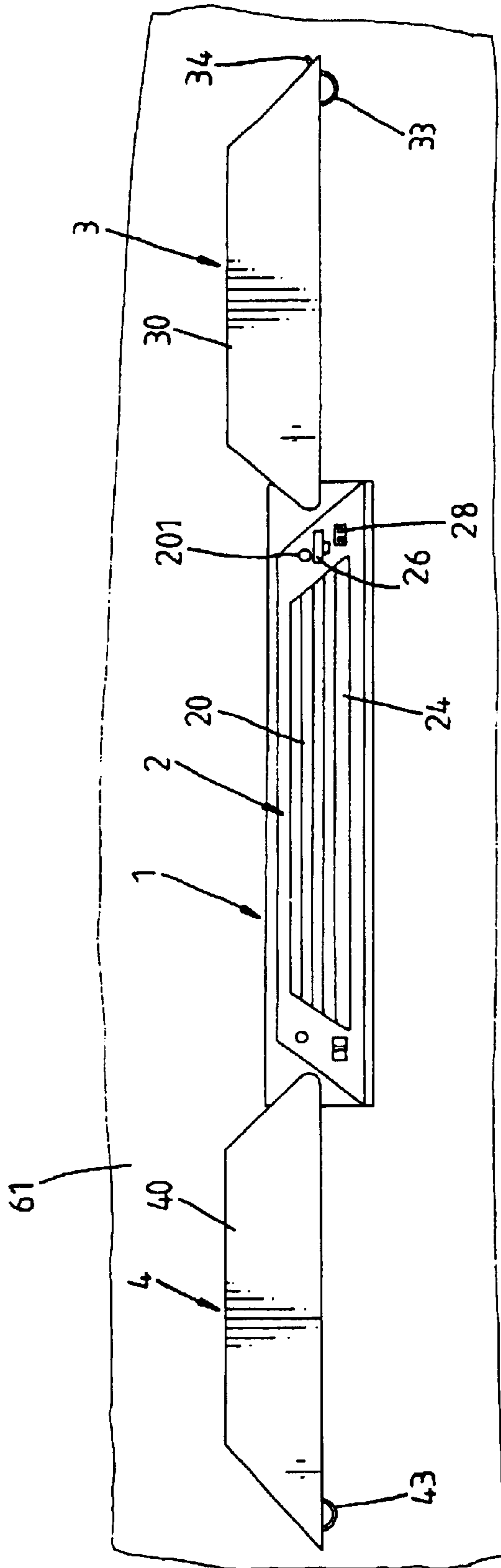


Fig. 4

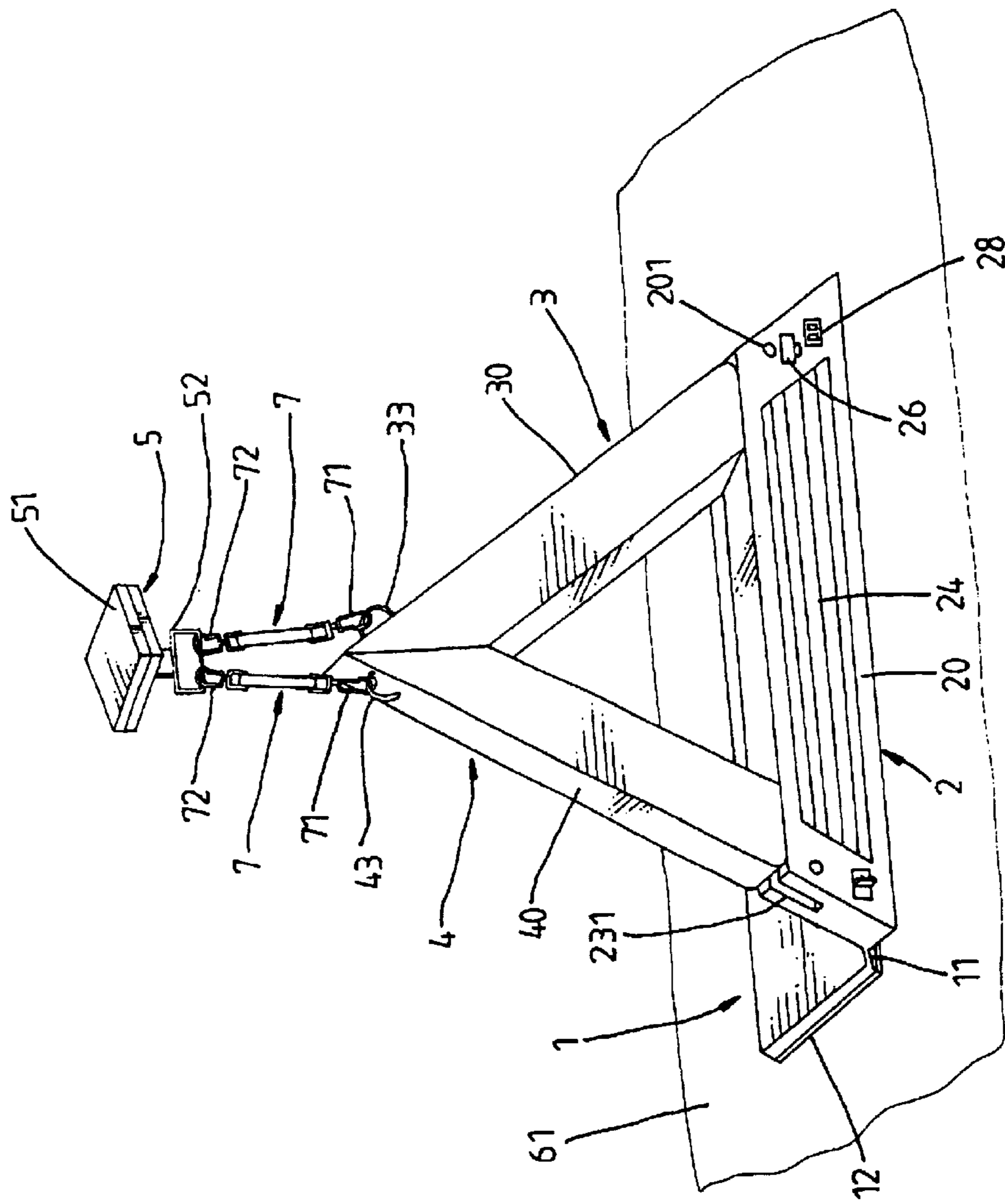


Fig. 5

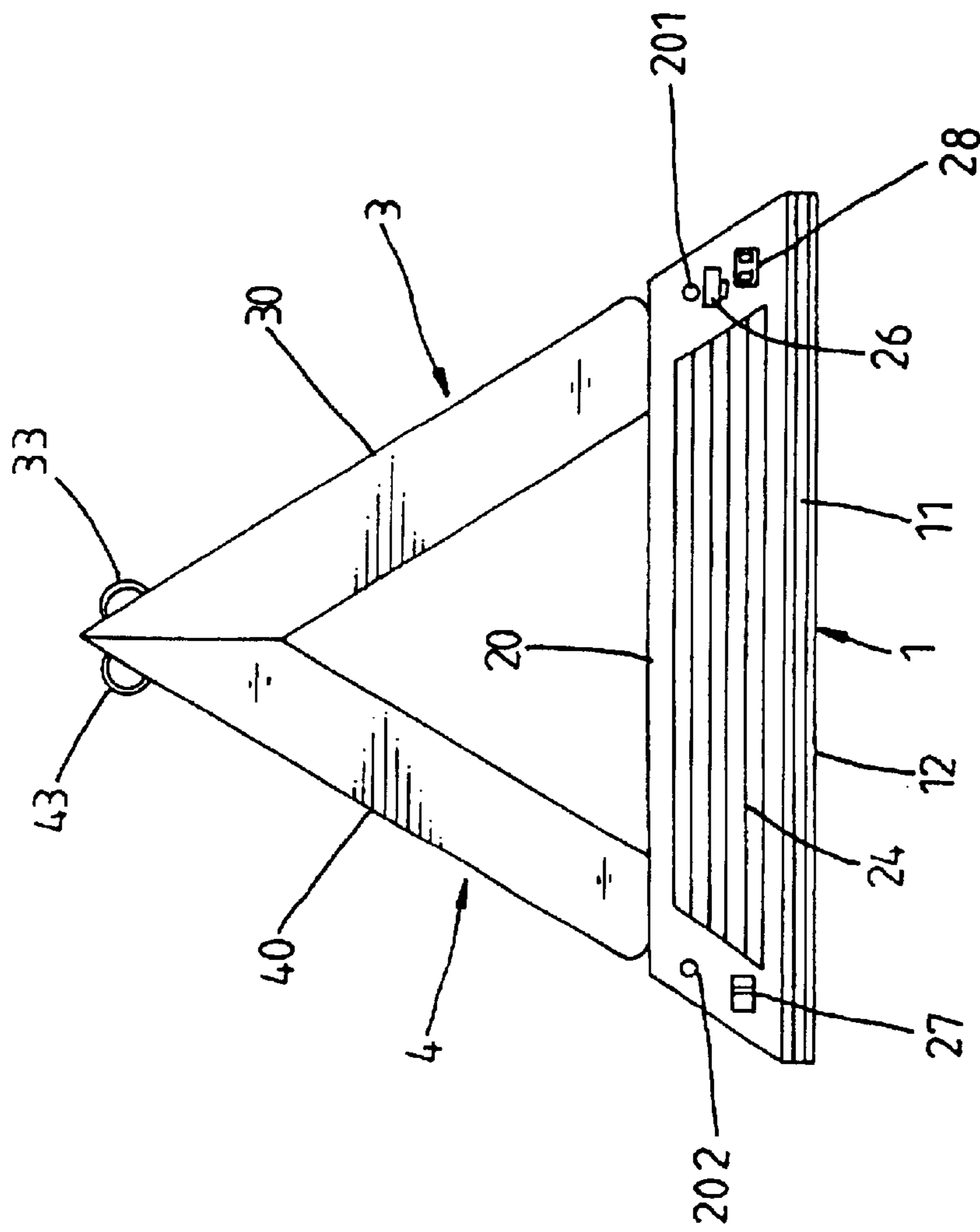


Fig. 6

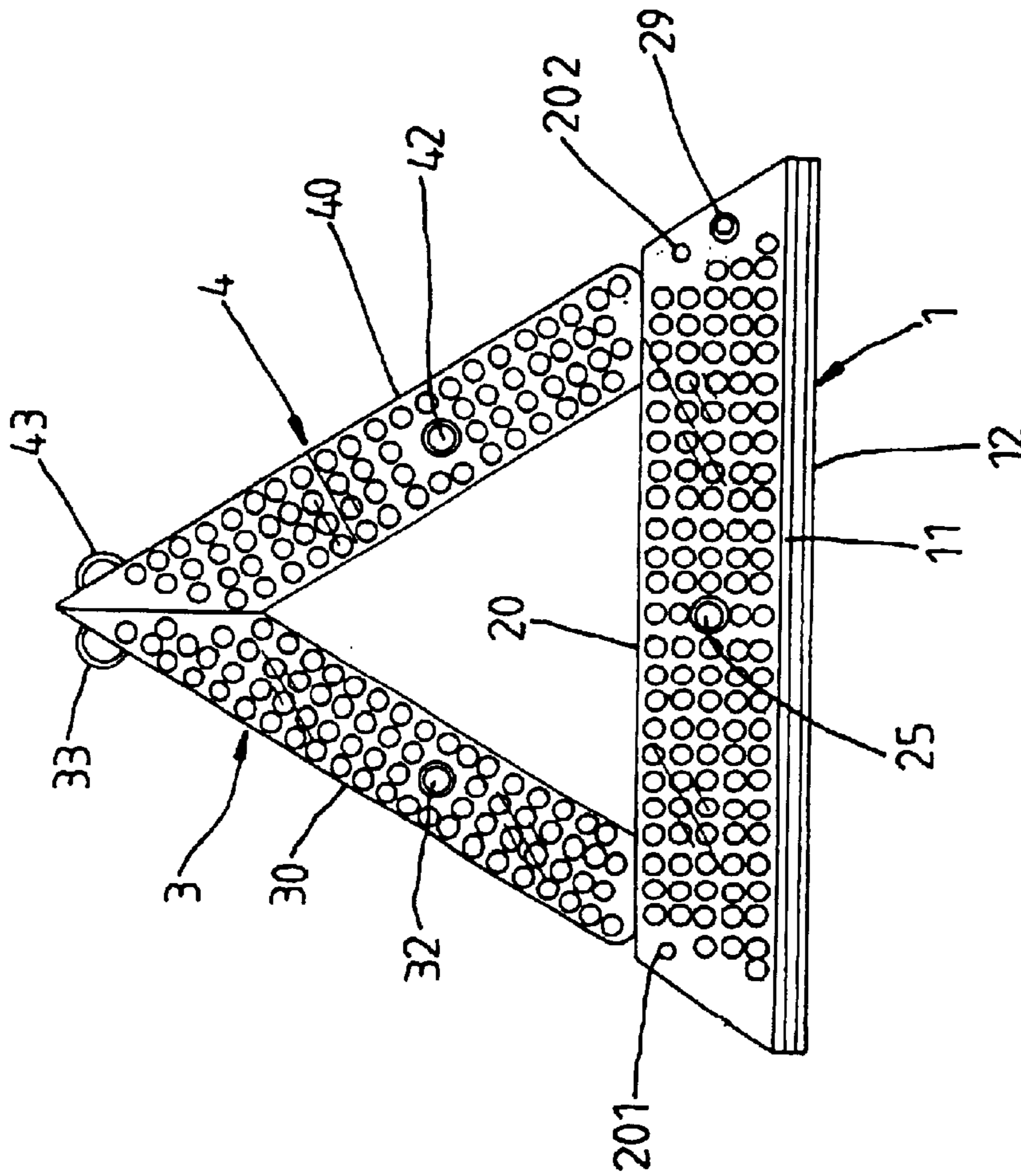


Fig. 7

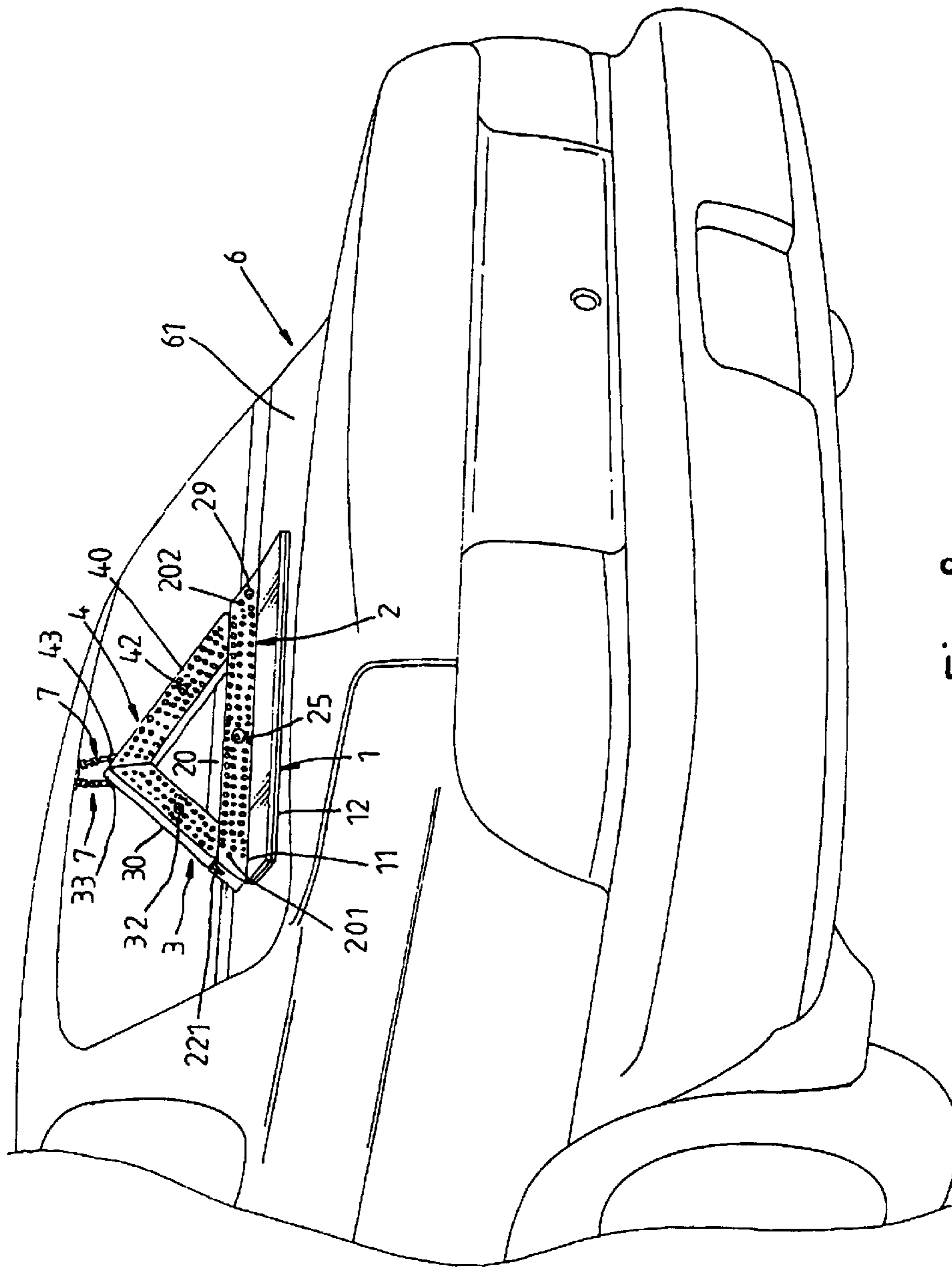


Fig. 8

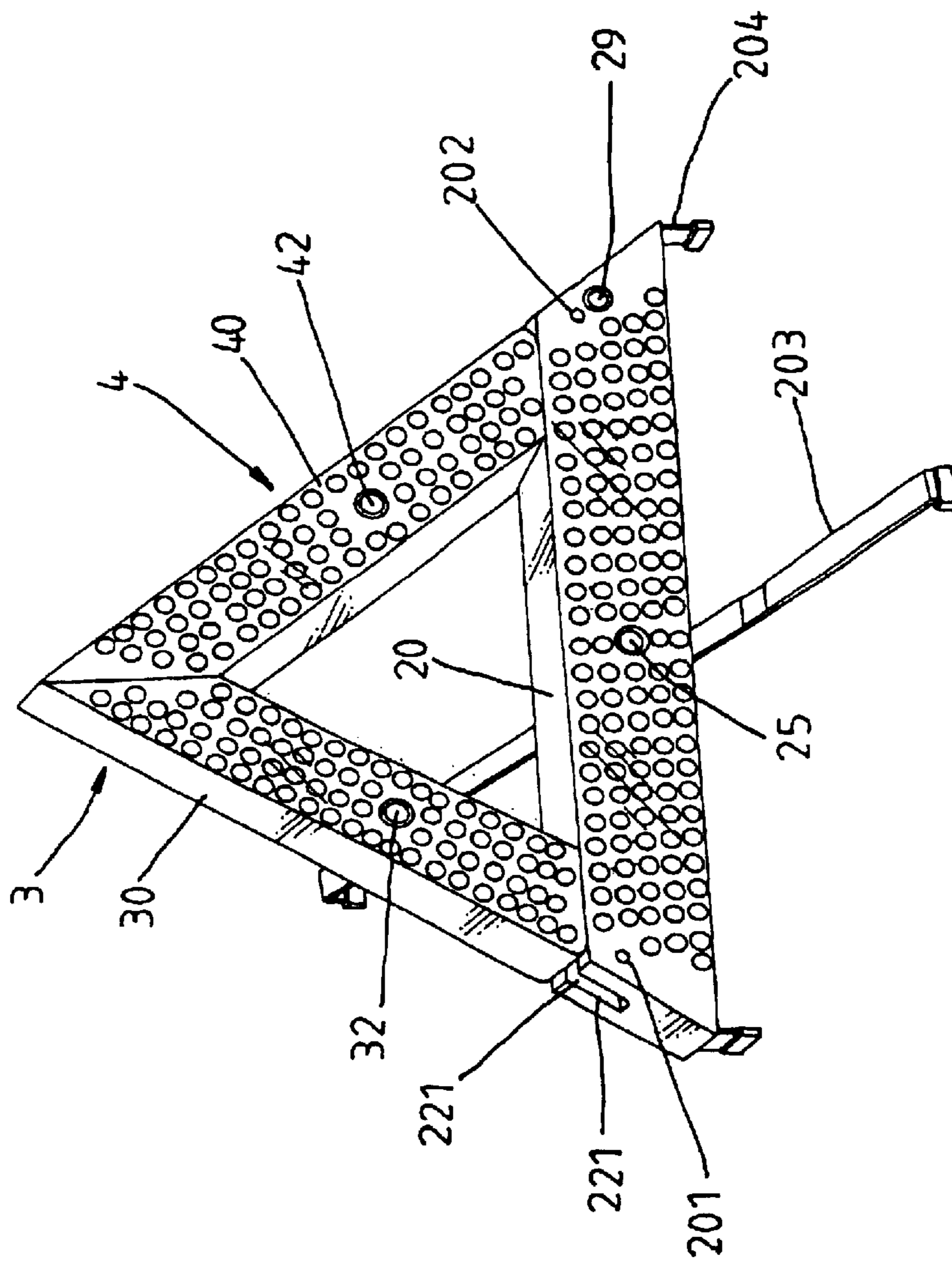


Fig. 9

1

TRIANGLE ROAD SIGN WITH SOLAR POWER-DRIVEN FLASHING LIGHT MEANS

Matter enclosed in heavy brackets [] appears in the original patent but forms no part of this reissue specification; matter printed in italics indicates the additions made by reissue.

BACKGROUND AND SUMMARY OF THE INVENTION

The present invention relates to a triangle road sign, and more particularly to such a triangle road sign, which comprises a flashing light circuit assembly selectively driven by solar power, battery power, or alternating current power source to give a flashing warning signal.

A conventional triangle road sign **8**, as shown in FIG. 1, is generally comprised of a left frame bar **81**, a right frame bar **82**, a bottom frame bar **83**, a stand **84**, and reflectors **811**, **821** and **831** respectively covered on the frame bars **81**, **82** and **83**. This structure of triangle road sign **8** is less effective because it can only give a static warning signal.

It is one object of the present invention to provide a triangle road sign, which is folding collapsible. It is another object of the present invention to provide a triangle road sign, which actively gives a warning signal. It is still another object of the present invention to provide a triangle road sign, which selectively uses solar power, battery power, or solar power source to drive flashing light circuit means to give a flashing warning signal. According to one aspect of the present invention, the triangle road sign is comprised of a folding collapsible triangle rack formed of a bottom rack, a left frame bar and a right frame bar, mounting means for securing the triangle rack to the inside of a car, flashing light circuit means mounted on the triangle rack and controlled to give a flashing warning signal, and solar power circuit means that converts solar energy into electricity for the flashing light circuit means. According to another aspect of the present invention, battery power supply and alternating current power adapter are provided and selectively controlled to provide the necessary working voltage to the flashing light circuit means. In an alternate form of the present invention, the mounting means for securing the triangle rack to the inside of a car is eliminated, and a folding collapsible stand is provided to support the triangle rack on the road.

BRIEF DESCRIPTION OF THE DRAWINGS

FIG. 1 is an elevational view of a triangle road sign according to the prior art.

FIG. 2 is an exploded view of a triangle road sign according to the present invention (the top mounting device and the connecting members excluded).

FIG. 3 is an assembly view of FIG. 2, showing the left frame bar and the right frame bar respectively pivoted to the bottom rack and extended out.

FIG. 4 is a plain view showing the assembly of FIG. 3 installed in a part inside a car.

FIG. 5 shows the triangle road sign set in the operative position in a car.

FIG. 6 is a front side view of the triangle road sign after removal of the top mounting device and the connecting members.

FIG. 7 is a rear side view of FIG. 6.

FIG. 8 illustrates the triangle road sign installed in the car near the rear window according to the present invention.

2

FIG. 9 is an elevational view of an alternate form of the triangle road sign according to the present invention.

DETAILED DESCRIPTION OF THE PREFERRED EMBODIMENT

Referring to FIGS. from **4** through **8**, a triangle road sign in accordance with the present invention is generally comprised of a bottom mounting plate **1**, a bottom rack **2**, a left frame bar **3**, a right frame bar **4**, a top mounting device **5**, and two connecting members **7**.

The bottom mounting plate **1** has one side edge **11** hinged to the bottom rack **2**, and a bottom side wall **12** fixedly fastened to a part **61** inside a car **6** near the rear window by adhesive or fastening members (see FIG. **8**). The bottom rack **2** comprises a transparent rack shell **20** hinged to the bottom mounting plate **1**, a solar collector panel **24** mounted on a front side of the transparent rack shell **20**, a signal light **25** mounted in a back side of the transparent rack shell **20** (see FIGS. **7** and **8**), a control switch **27** mounted on the transparent rack shell **20**, a flashing circuit (not shown) installed in the transparent rack shell **20** and controlled by the control switch **27** to flash the signal light **25**, a solar battery circuit (not shown) installed in the transparent rack shell **20** and connected between the flashing circuit and the solar collector panel **24** through the control switch **27** to convert solar energy collected from the solar collector panel **24** into electricity and to store the electricity thus obtained for the flashing circuit and the signal light **25**, an indicator light **29**, which indicated battery charging status of the solar battery circuit, a rechargeable battery (not shown) installed in the transparent rack shell **20** and controlled by the control switch **27** to provide the necessary working voltage to the flashing circuit and the signal light **25**, an alternating current adapter **28** installed in the transparent rack shell **20** for receiving external alternating current power supply to charge the rechargeable battery, and a battery box **26** installed in the transparent rack shell **20** and controlled by the control switch **27** to provide the necessary working voltage to the flashing circuit and the signal light **25**. The transparent rack shell **20** comprises two coupling notches **221** and **231** at two distal ends thereof for receiving the left frame bar **3** and the right frame bar **4**. The left frame bar **3** comprises a transparent body **30**, a coupling rod **31** extended from one end of the transparent body **30** and pivotally secured to one coupling notch **221** at the transparent rack shell **20** of the bottom rack **2** by a pivot **201**, a signal light **32** installed in the back side of the transparent body **30** and controlled by the control switch **27** to flash, a raised portion **34** raised from one end of the transparent body **30** remote from the coupling rod **31**, and a locating ring **33** disposed near one end of the transparent body **30** adjacent to the raised portion **34** for the mounting of one connecting member **7**. The right frame bar **4** comprises a transparent body **40**, a coupling rod **41** extended from one end of the transparent body **40** and pivotally secured to one coupling notch **231** at the transparent rack shell **20** of the bottom rack **2** by a pivot **202**, a signal light **42** installed in the back side of the transparent body **40** and controlled by the control switch **27** to flash, a recessed portion **44** formed on one end of the transparent body **40** remote from the coupling rod **41** for engagement with the raised portion **34** at the transparent body **30** of the left frame bar **3**, and a locating ring **43** disposed near one end of the transparent body **40** adjacent to the recessed portion **44** for the mounting of one connecting member **7**. The top mounting device **5** comprises a top mounting plate **51** fastened to the ceiling of the car **6** by adhesive or fastening means, and a bottom coupling loop **52**

3

suspended from the top mounting plate 51 to hold the connecting members 7. The connecting members 7 are elastic members, each having one end terminating in a first hook 71 hooked on the bottom coupling loop 52 of the top mounting device 5 and a bottom end terminating in a second hook 72 hooked on the locating ring 33 and 43 at the left frame bar 3 or right frame bar 4.

When sunlight is available, the triangle road sign is put under the sun, enabling the solar collector panel 24 to collect the radiating energy of the sun for converting into electricity. When not in use, the bottom mounting plate 1 and the bottom rack 2 are turned toward each other and closely attached together to minimize space occupation. When in use, the left frame bar 3 and the right frame bar 4 are turned upwards from the bottom rack 2 toward each other to force the recessed portion 44 at the transparent body 40 of the right frame bar 41 into engagement with the raised portion 34 at the transparent body 30 of the left frame bar 3, and then connecting members 7 and the top mounting device 5 are fastened to the frame bars 3 and 4, and then the bottom mounting plate 1 and the top mounting device 5 are fastened to the inside of the car 6 to secure the triangle road sign in position, keeping the signal lights 25, 32 and 42 facing the rear window of the car 6. By means of operating the control switch 27, the signal lights 25, 32 and 42 are driven to give a flashing warning signal. The signal lights 25, 32 and 42 can be any of a variety of light emitting elements, for example, light emitting diodes.

FIG. 9 shows an alternate form of the triangle road sign. This alternate form eliminates the aforesaid bottom mounting plate 1, top mounting device 5 and connecting members 7. Further, the bottom rack 2 of this alternate form is mounted with a folding collapsible stand formed of two foot members 203 and 204.

It is to be understood that the drawings are designed for purposes of illustration only, and are not intended for use as a definition of the limits and scope of the invention disclosed.

What is claimed is:

1. A triangle road sign comprising:

a bottom rack, said bottom rack comprising a transparent rack shell, said transparent rack shell comprising a front side, a back side, a first end, and a second end, a signal light mounted in the back side of said transparent rack shell, a control switch mounted on said transparent rack shell, [a solar collector in said transparent rack shell to collect solar energy and to convert collected solar energy into electricity for the signal light at said transparent rack shell, an indicator light for indicating a charging status of said solar collector, an alternating

4

current adapter installed in said transparent rack shell for receiving external alternating current power supply, and a battery box installed in said transparent rack shell and controlled by said control switch to provide the necessary working voltage to the signal light at said transparent rack shell];

a bottom mounting plate hinged to said bottom rack for securing said bottom rack to a part in a car;

a transparent left frame bar, said left frame bar comprising a first end pivoted to the first end of said transparent rack shell, a second end, a signal light controlled by said control switch to flash, a raised portion raised from the second end of said left frame bar, and a locating ring adjacent to said raised portion;

a transparent right frame bar, said right frame bar comprising a first end pivoted to the second end of said transparent rack shell, a second end, a signal light controlled by said control switch to flash, a recessed portion formed on the second end of said left frame bar for engagement with the raised portion of said left frame bar, and a locating ring adjacent to said recessed portion;

a top mounting device for securing said left frame bar and said right frame bar to the ceiling of a car, said top mounting device comprising a top mounting plate for fastening to the ceiling of a car, and a bottom coupling loop suspended from said top mounting plate; and

two connecting members, said connecting members each having one end terminating in a first hook hooked on the bottom coupling loop of said top mounting device and a bottom end terminating in a second hook hooked on the locating ring at one of said left and right frame bars.

2. The triangle road sign of claim 1, wherein the [indicator lights] *signal lights* at said bottom rack, said left frame bar and said right frame bar are light emitting diodes.

3. *The triangle road sign of claim 1, further comprising a solar collector in said transparent rack shell to collect solar energy and to convert collected solar energy into electricity for the signal lights, and an indicator light for indicating a charging status of said solar collector.*

4. *The triangle road sign of claim 1, further comprising an alternating current adapter installed in said transparent rack shell for receiving external alternating current power supply for powering the signal lights.*

5. *The triangle road sign of claim 1, further comprising a battery box disposed in said transparent rack shell and controlled by said control switch to provide the necessary working voltage to the signal lights.*

* * * * *