



US00RE39489E

(19) **United States**  
(12) **Reissued Patent**  
**Fonfeder**

(10) **Patent Number: US RE39,489 E**  
(45) **Date of Reissued Patent: Feb. 20, 2007**

(54) **RING BINDER INSERTION CARRIER**  
(75) Inventor: **Danny Fonfeder, Quebec (CA)**  
(73) Assignee: **Buffalo-Eastcantra, Inc., Quebec (CA)**  
(21) Appl. No.: **29/209,134**  
(22) Filed: **Feb. 19, 2004**

(74) *Attorney, Agent, or Firm*—Antonelli, Terry, Stout and Kraus, LLP

(57) **CLAIM**

I claim the ornamental design for a ring binder insertion carrier, as shown and described.

**DESCRIPTION**

FIG. 1 is a perspective view of the ring binder insertion carrier embodying the design;  
FIG. 2 is a top plan view of the ring binder insertion carrier of FIG. 1;  
FIG. 3 is a right side elevational view of the ring binder insertion carrier of FIG. 1;  
FIG. 4 is a left side elevational view of the ring binder insertion carrier of FIG. 1;  
FIG. 5 is a bottom plan view of the ring binder insertion carrier of FIG. 1;  
FIG. 6 is a front elevational view of the ring binder insertion carrier of FIG. 1;  
FIG. 7 is a rear elevational view of the ring binder insertion carrier of FIG. 1; and,  
FIG. 8 is a perspective view of the ring binder insertion carrier of FIG. 1 shown in its environment mounted to the back portion of a geometry kit case.  
The broken lines in FIG. 8 are for illustrative purposes only and form no part of the claimed design.

**Related U.S. Patent Documents**

Reissue of:

(64) Patent No.: **Des. 451,134**  
Issued: **Nov. 27, 2001**  
Appl. No.: **29/129,332**  
Filed: **Sep. 13, 2000**

(30) **Foreign Application Priority Data**

Mar. 20, 2000 (CA) ..... 2000-0839

(51) **LOC (8) Cl.** ..... **19-04**  
(52) **U.S. Cl.** ..... **D19/27**  
(58) **Field of Classification Search** ..... D19/26,  
D19/27, 32, 3, 33; 402/1, 4, 70, 79; 281/3.1,  
281/38, 51; 206/214, 305, 5  
See application file for complete search history.

(56) **References Cited**

**U.S. PATENT DOCUMENTS**

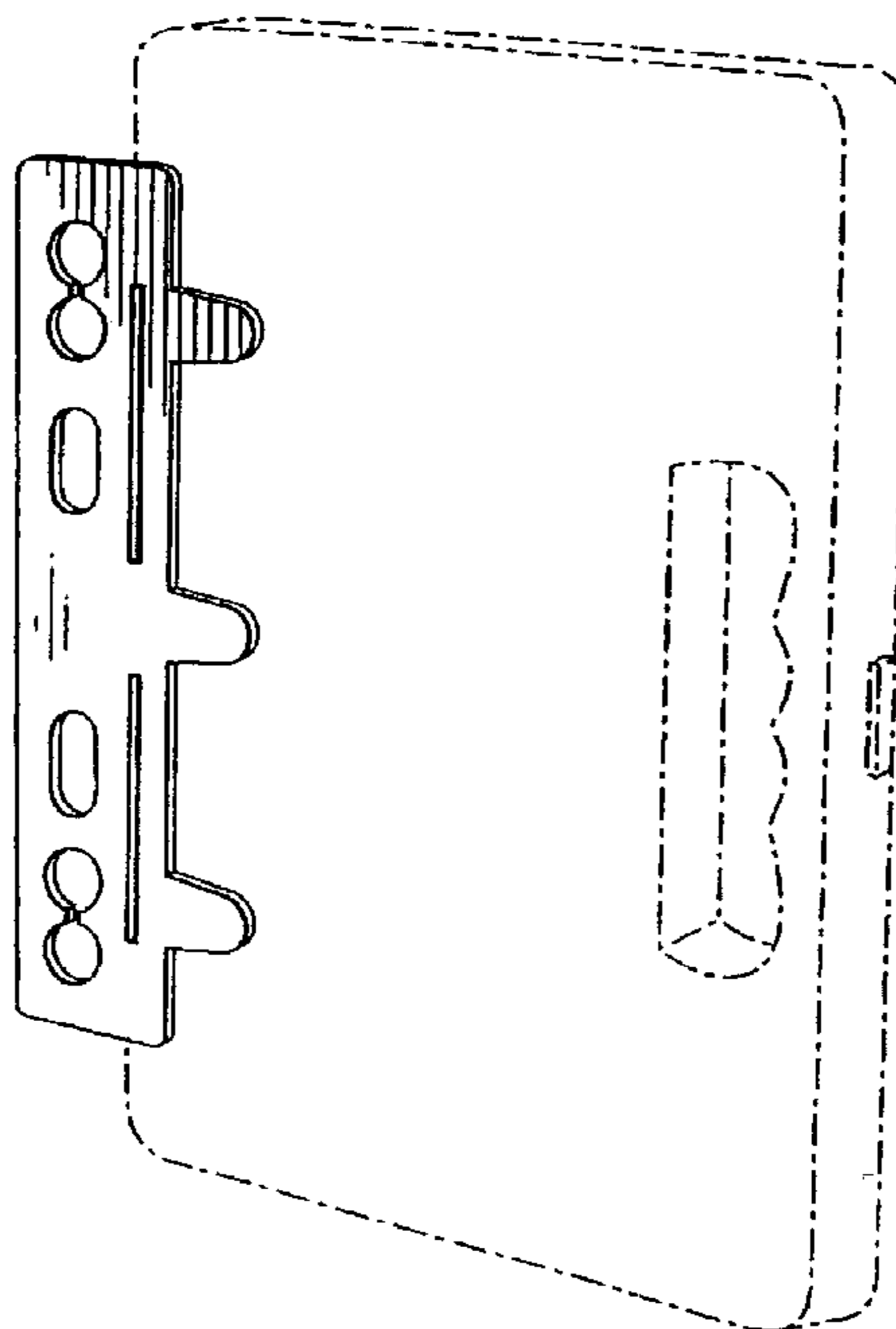
2,194,003 A \* 3/1940 Brooks ..... 402/4  
5,409,319 A \* 4/1995 Bedol ..... 402/1  
5,876,144 A \* 3/1999 Bedol et al. .... 402/4  
6,183,157 B1 \* 2/2001 Brown et al. .... 402/79  
6,200,056 B1 \* 3/2001 Jordin et al. .... 402/4

\* cited by examiner

*Primary Examiner*—Paula A. Greene

**1 Claim, 3 Drawing Sheets**

**Matter enclosed in heavy brackets [ ] appears in the original patent, but forms no part of this reissue; matter printed in italics indicates the additions made by reissue.**



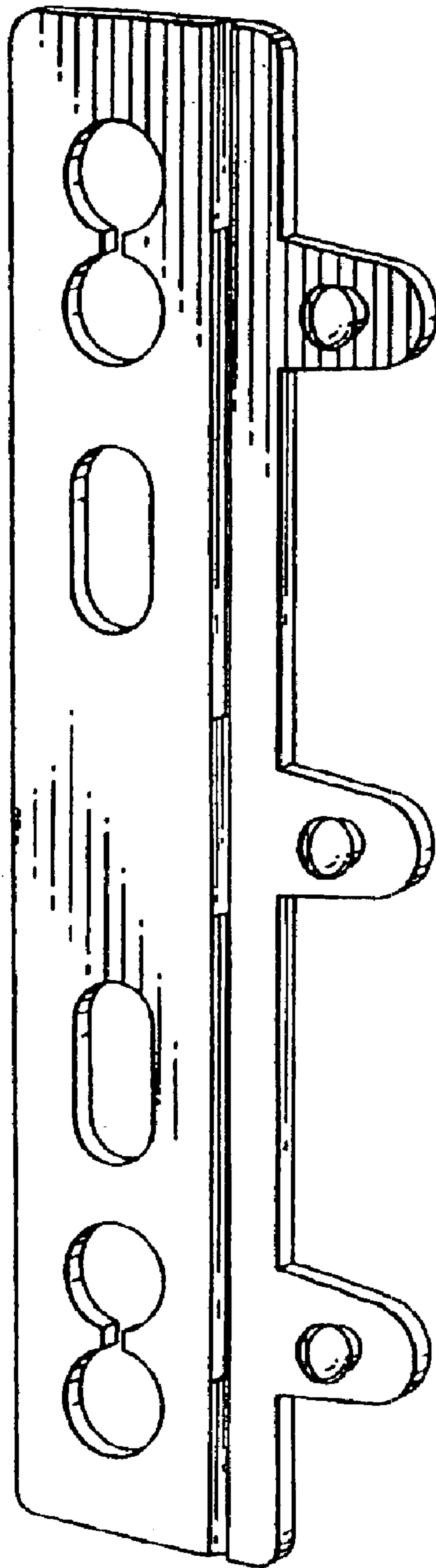


Fig. 1



Fig. 6



Fig. 3

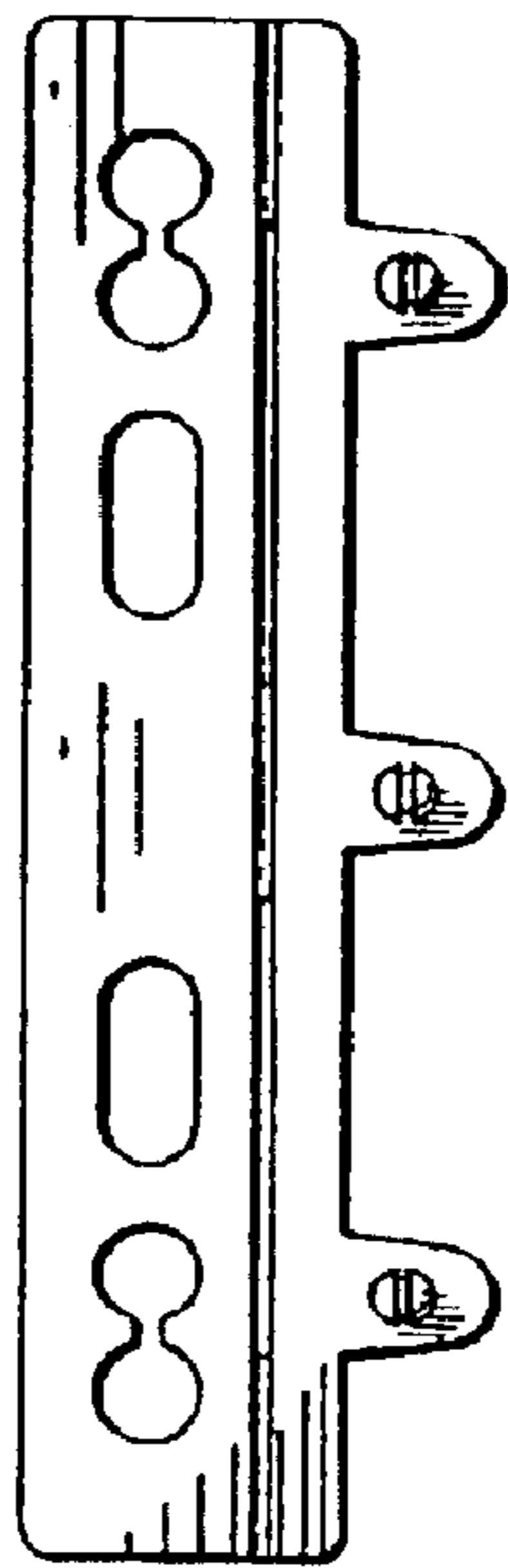


Fig. 2



Fig. 4

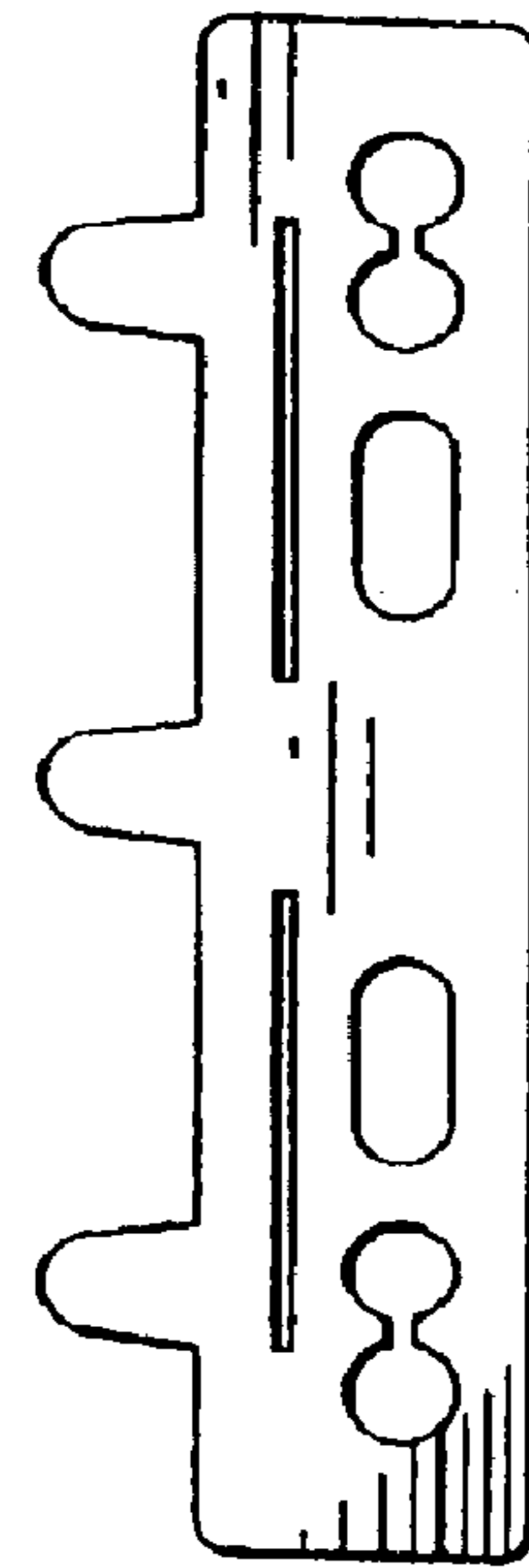


Fig. 5

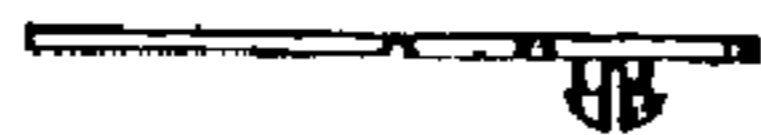


Fig. 7

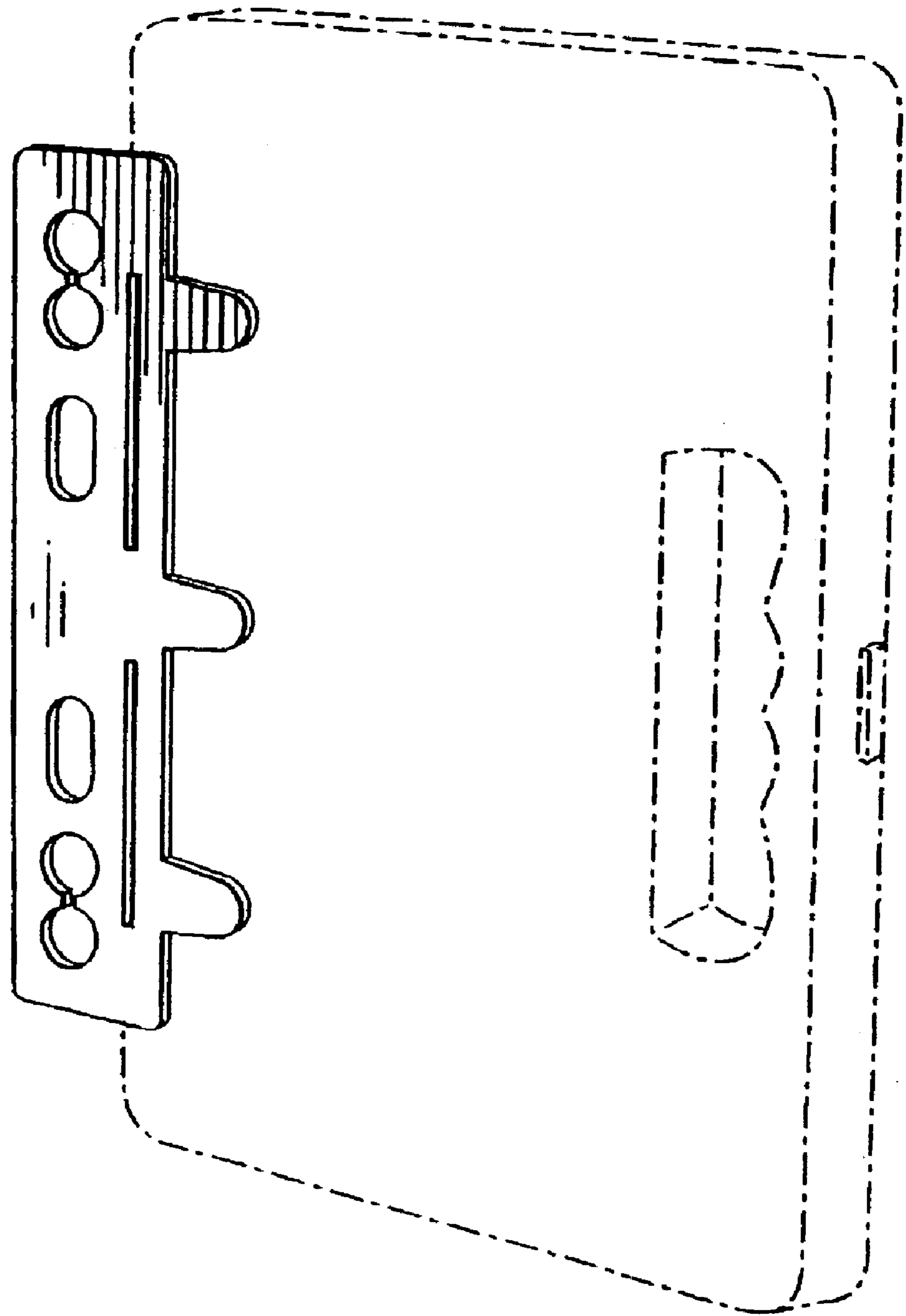


Fig. 8