



US00RE39430E

(19) **United States**
(12) **Reissued Patent**
Novoa

(10) **Patent Number:** **US RE39,430 E**
(45) **Date of Reissued Patent:** **Dec. 19, 2006**

(54) **HANDLEBAR GRIP**
(76) Inventor: **Luis Novoa**, Finkenweg 10, CH-2257
Studen (CH)
(21) Appl. No.: **29/181,535**
(22) Filed: **May 12, 2003**

5,269,196 A * 12/1993 Rafac 74/551.1
D352,443 S * 11/1994 Chen D8/303
D354,216 S * 1/1995 Chen D8/303

FOREIGN PATENT DOCUMENTS

FR 2654698 * 5/1991

* cited by examiner

Primary Examiner—Alan P. Douglas
Assistant Examiner—Linda Brooks
(74) *Attorney, Agent, or Firm*—Ostrolenk, Faber, Gerb &
Soffen, LLP

Related U.S. Patent Documents

Reissue of:
(64) Patent No.: **Des. 469,330**
Issued: **Jan. 28, 2003**
Appl. No.: **29/152,567**
Filed: **Dec. 26, 2001**

(57) **CLAIM**

The ornamental design for a handlebar grip, as shown and described.

(30) **Foreign Application Priority Data**

Jun. 27, 2001 (WO) DMA/059 789

DESCRIPTION

(51) **LOC (8) Cl.** **08-06**
(52) **U.S. Cl.** **D8/303**
(58) **Field of Classification Search** D8/303;
74/551.8, 551.9; 16/110.1, 421, 430
See application file for complete search history.

FIG. 1 is a perspective view of a handlebar grip of my new design; and,
FIG. 2 is an enlarged end view thereof.

1 Claim, 1 Drawing Sheet

(56) **References Cited**

U.S. PATENT DOCUMENTS

5,165,301 A * 11/1992 Jeshurun et al. 74/551.1
D340,636 S * 10/1993 Ming-Chang D8/303

Matter enclosed in heavy brackets [] appears in the original patent, but forms no part of this reissue; matter printed in italics indicates the additions made by reissue.

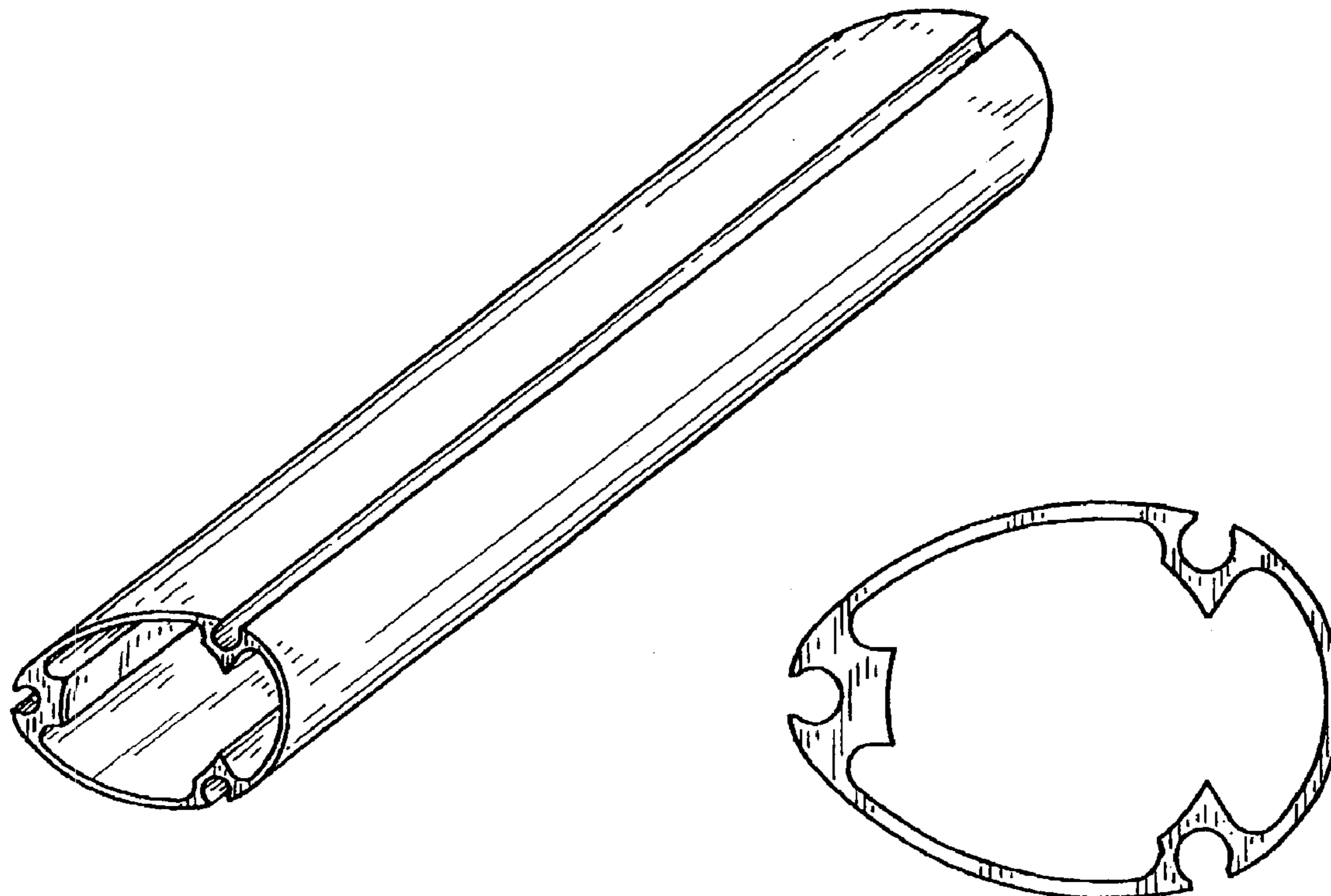


FIG. 1

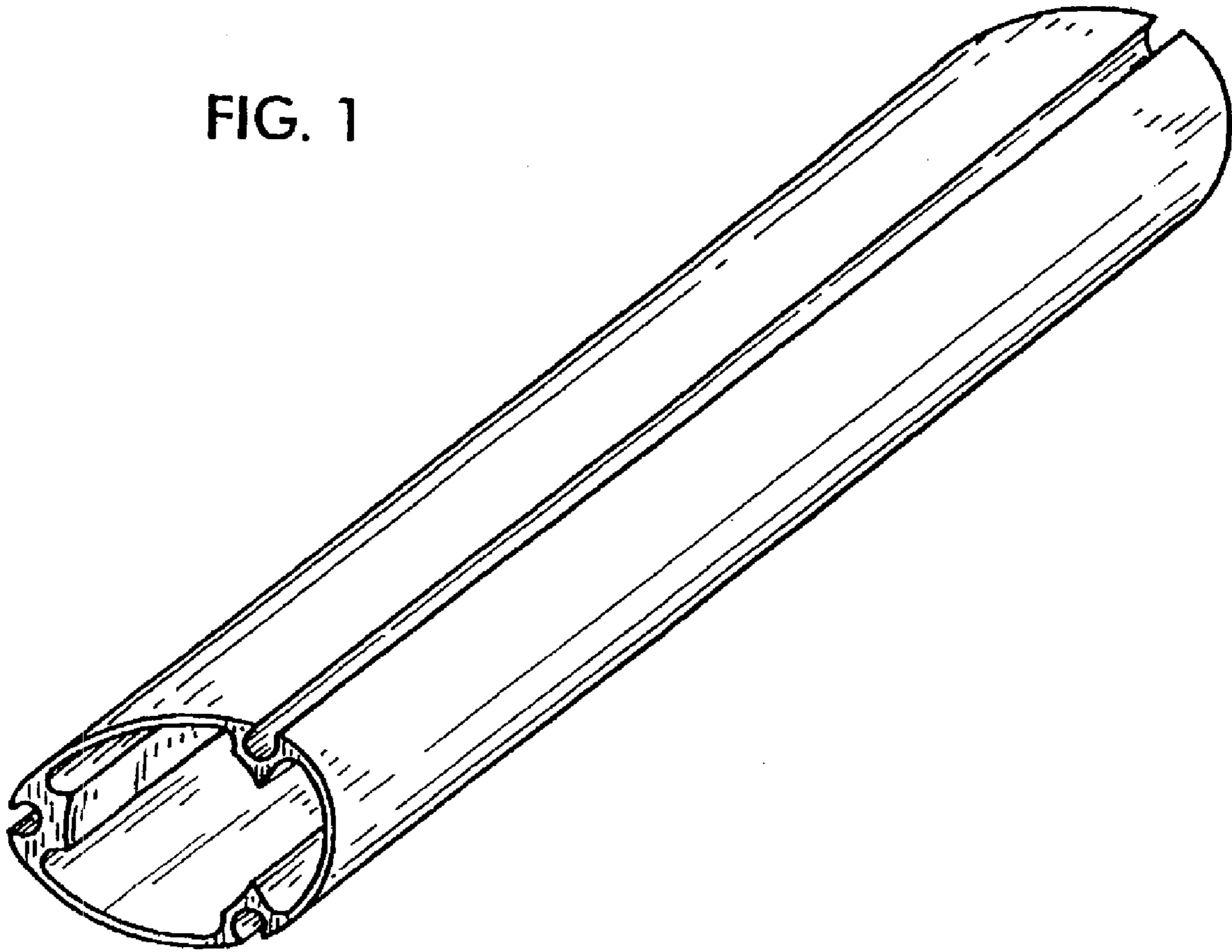


FIG. 2

