



US00RE39387E

(19) **United States**
(12) **Reissued Patent**
Shin

(10) **Patent Number:** **US RE39,387 E**
(45) **Date of Reissued Patent:** **Nov. 14, 2006**

(54) **CONTAINER**
(75) Inventor: **Hyun Woo Shin**, Seoul (KR)
(73) Assignee: **Oxy Co., Ltd.**, Seoul (KR)
(21) Appl. No.: **29/159,010**
(22) Filed: **Mar. 15, 2002**

D455,647 S * 4/2002 Cummings D9/338

* cited by examiner

Primary Examiner—Lisa Lichtenstein
(74) *Attorney, Agent, or Firm*—Howard & Howard

(57) **CLAIM**

An ornamental design for a [refrigerator deodorant] container, as shown and described.

Related U.S. Patent Documents

Reissue of:

(64) Patent No.: **Des. 449,102**
Issued: **Oct. 9, 2001**
Appl. No.: **29/130,275**
Filed: **Sep. 29, 2000**

(51) **LOC (8) Cl.** **23-04**
(52) **U.S. Cl.** **D9/529**
(58) **Field of Classification Search** D9/432,
D9/550, 338, 529, 549, 430, 729, 728; 220/DIG. 13;
D23/355, 366–369; 46/151, 154, 133
See application file for complete search history.

DESCRIPTION

FIG. 1 is a perspective view of a container [for a deodorant for a refrigerator];
FIG. 2 is a front elevational view thereof;
FIG. 3 is a rear elevational view thereof;
FIG. 4 is a side elevational view thereof;
FIG. 5 is a side elevational view thereof of the side opposite to that shown in FIG. 4;
FIG. 6 is a top plan view thereof; and,
FIG. 7 is a bottom plan view thereof.

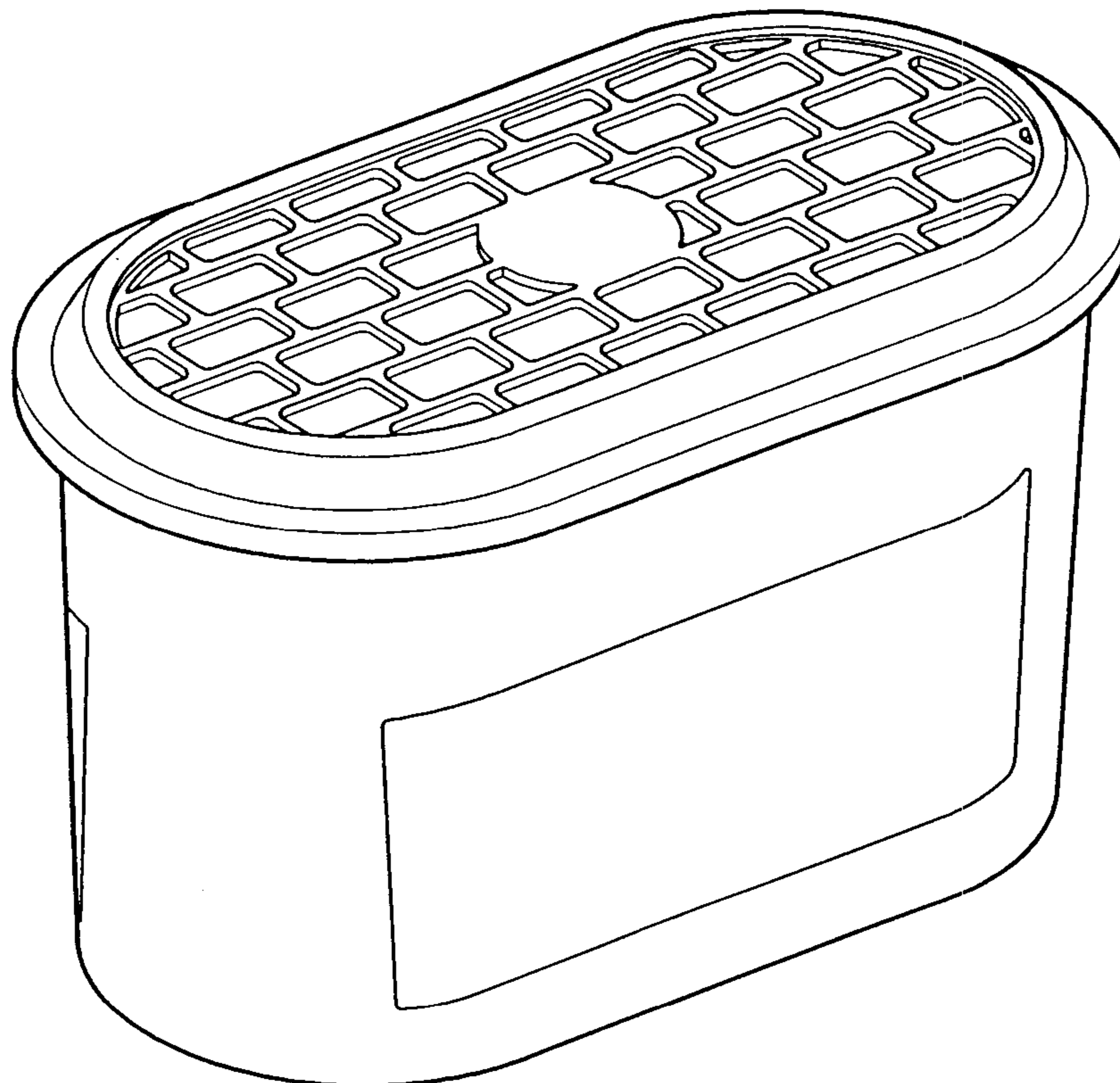
1 Claim, 3 Drawing Sheets

(56) **References Cited**

U.S. PATENT DOCUMENTS

D366,521 S * 1/1996 Wijaranakula D23/366
D414,689 S * 10/1999 Ruello D9/338

Matter enclosed in heavy brackets [] appears in the original patent, but forms no part of this reissue; matter printed in italics indicates the additions made by reissue.



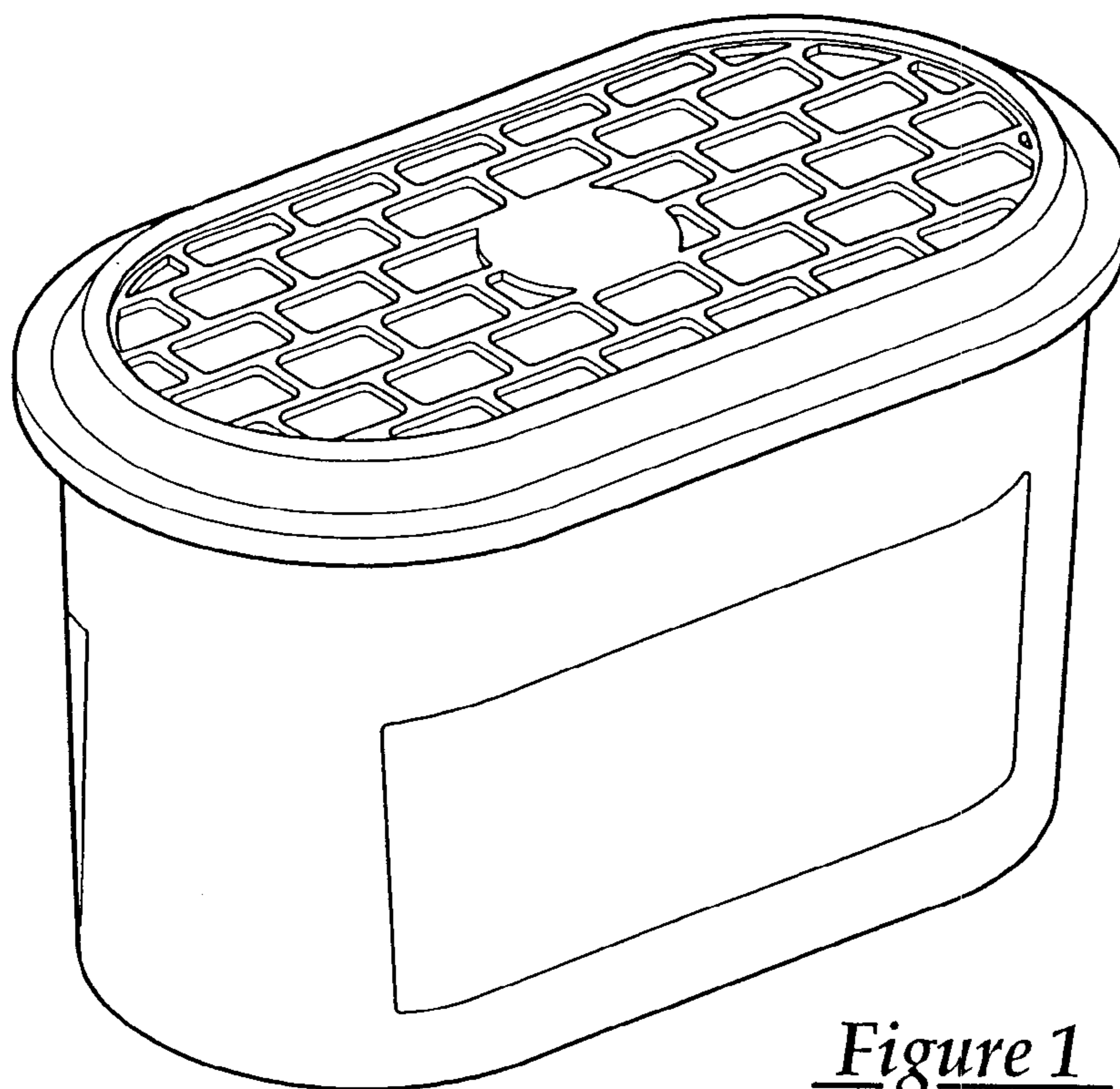


Figure 1

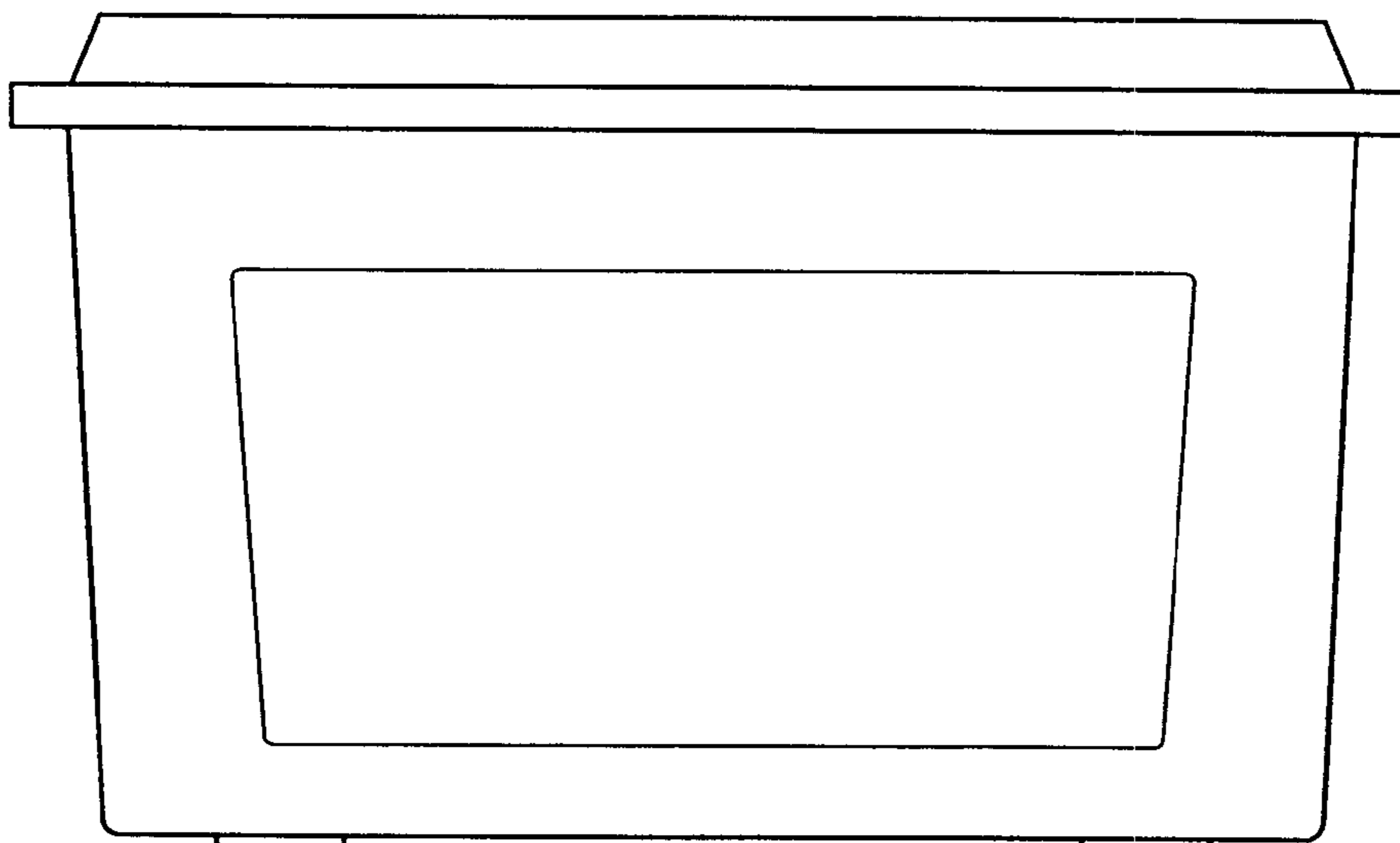


Figure 2

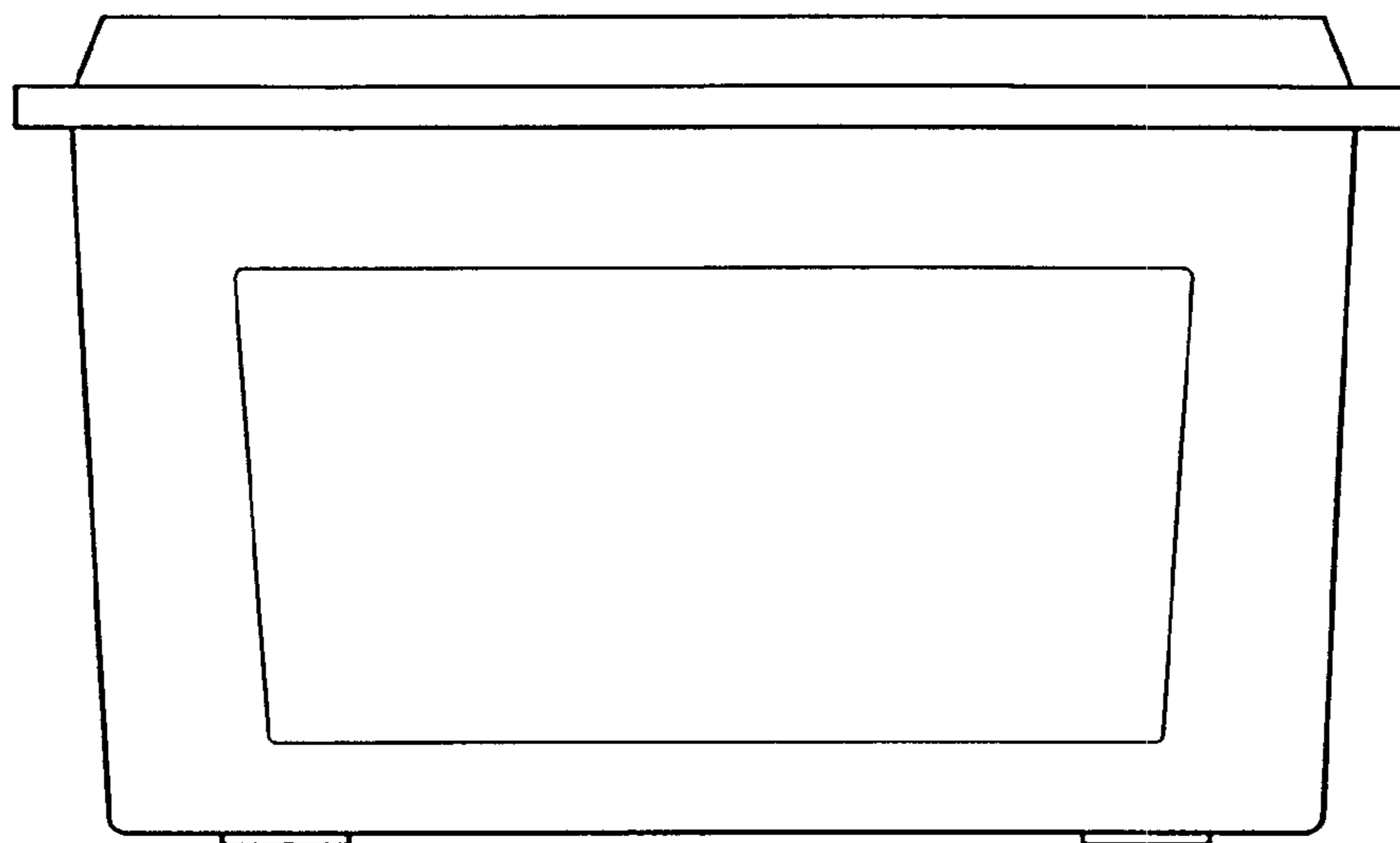


Figure 3

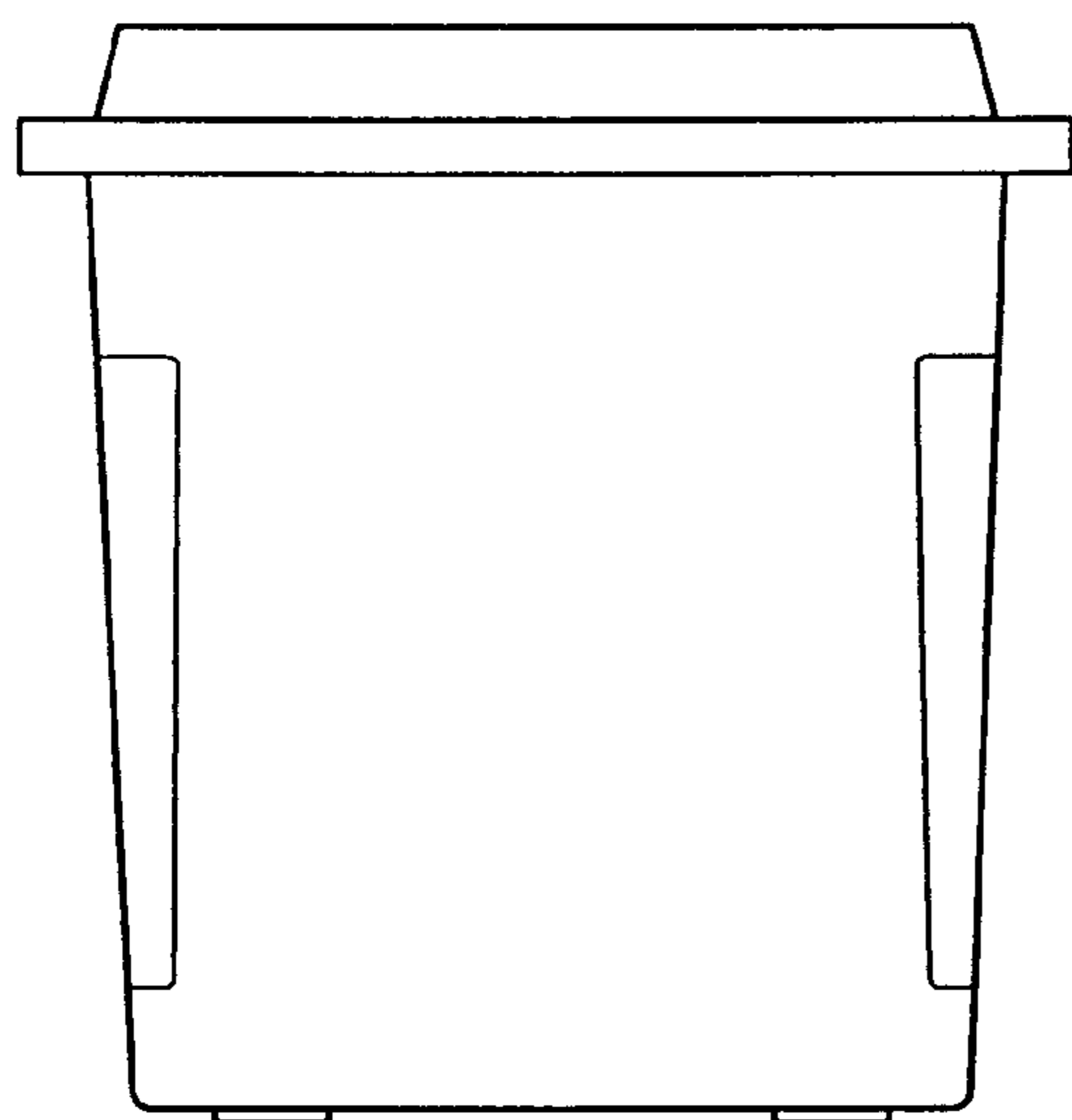


Figure 4

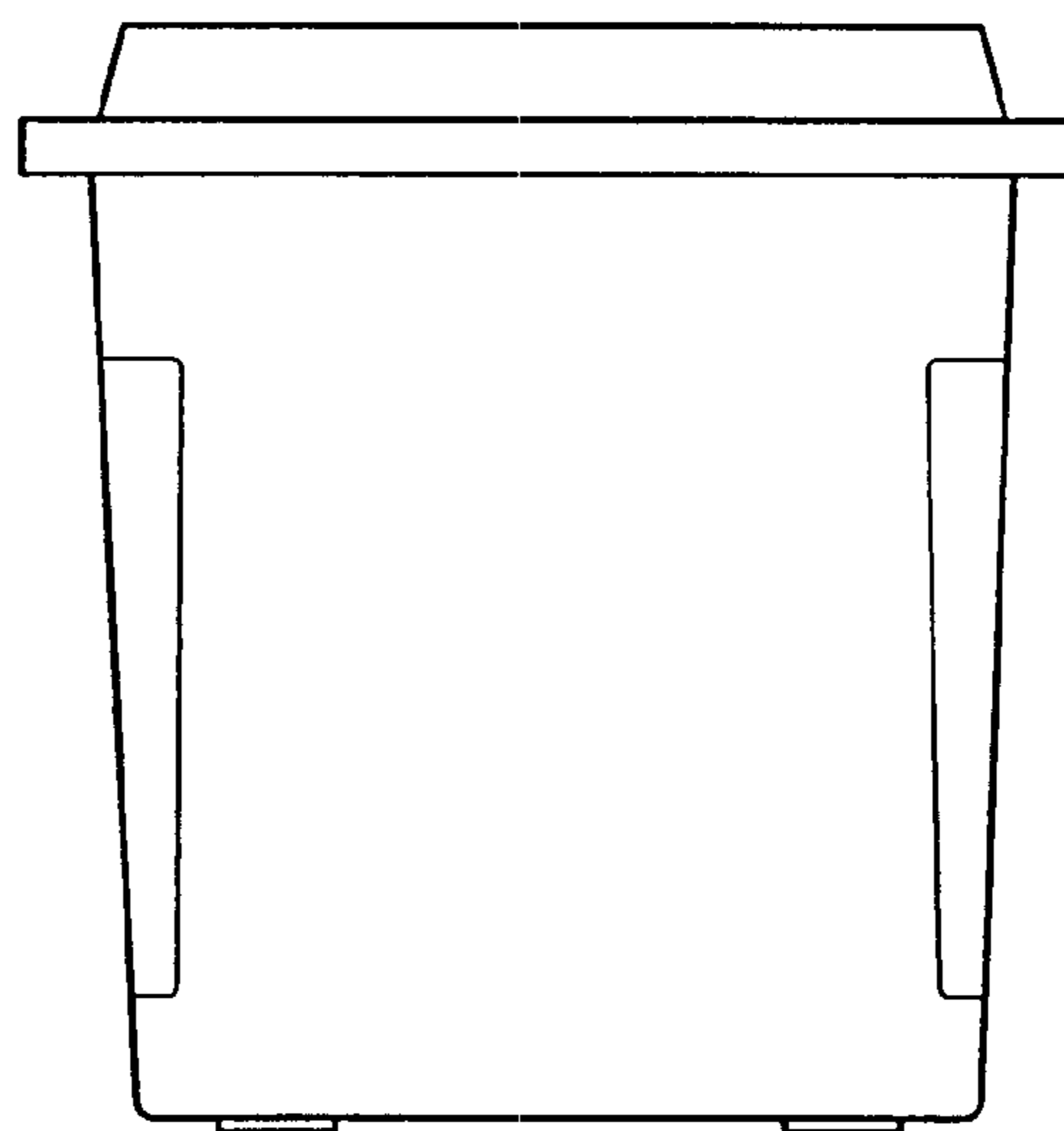


Figure 5

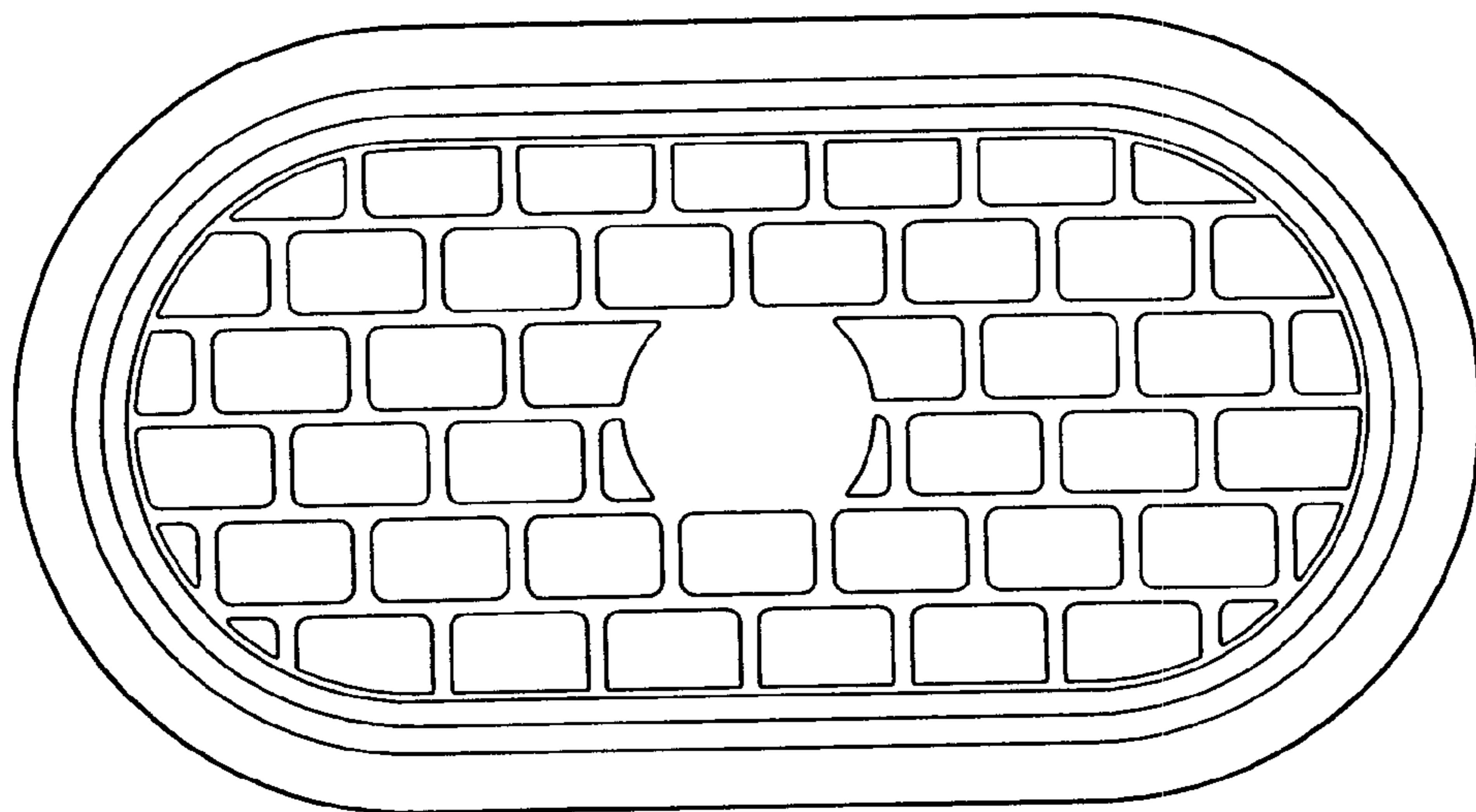


Figure 6

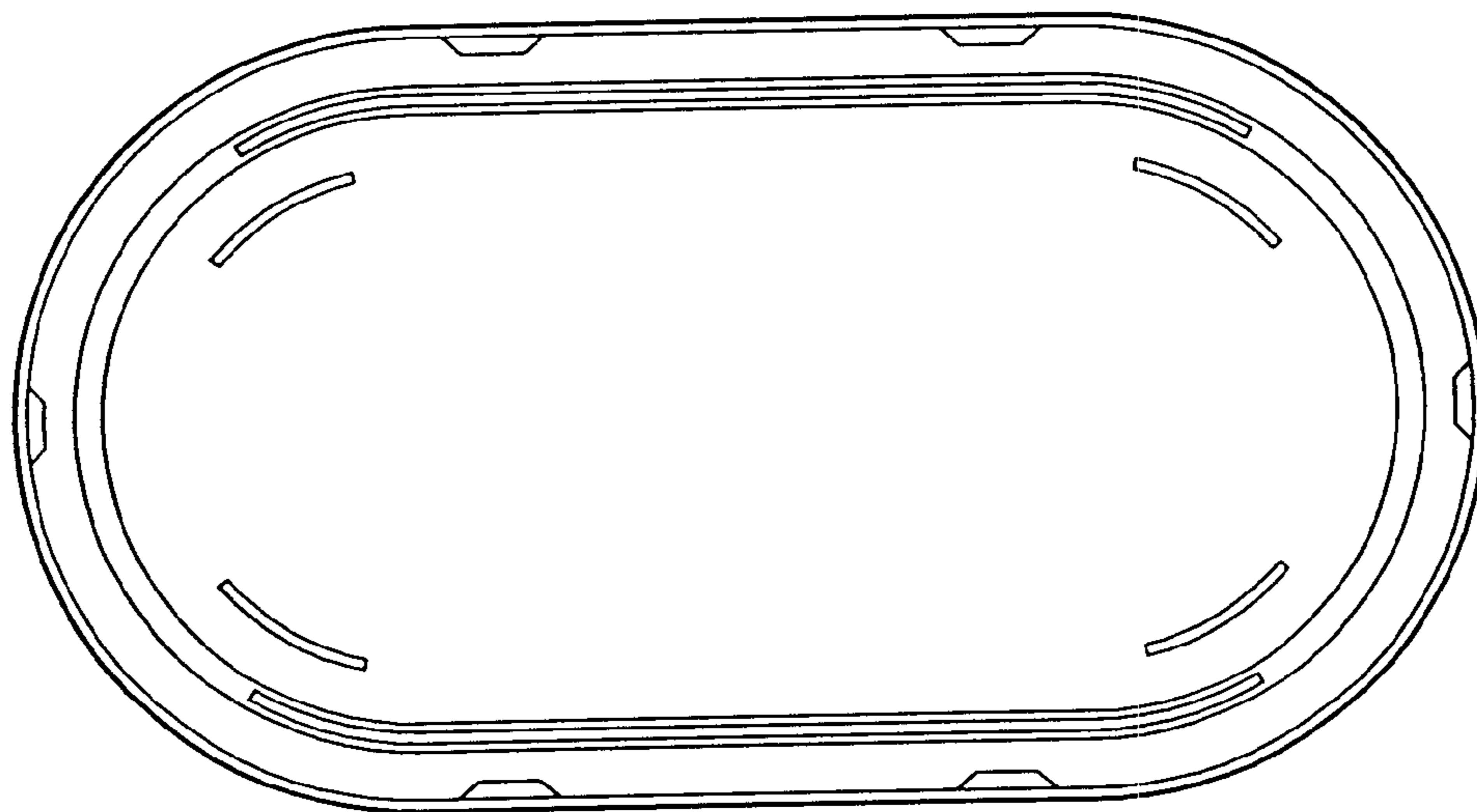


Figure 7