



US00RE39316E

(19) **United States**
(12) **Reissued Patent**
Murdock et al.

(10) **Patent Number:** **US RE39,316 E**
(45) **Date of Reissued Patent:** **Oct. 3, 2006**

(54) **SLIDING VISOR**
(75) Inventors: **Jay A. Murdock**, Redford, MI (US);
Edward G. Curtindale, Farmington
Hills, MI (US); **Ryan E. Dillingham**,
Clarkston, MI (US)
(73) Assignee: **Lear Corporation**, Southfield, MI (US)
(21) Appl. No.: **10/037,280**
(22) Filed: **Jan. 4, 2002**

3,032,371 A 5/1962 Berridge et al.
3,343,867 A 9/1967 Couch et al.
3,403,937 A * 10/1968 Quaine 296/97.11
3,556,585 A 1/1971 Binder
3,741,616 A 6/1973 Mahler et al.
3,865,428 A 2/1975 Chester
4,075,468 A 2/1978 Marcus
4,203,149 A 5/1980 Viertel et al.
4,227,241 A 10/1980 Marcus
4,353,592 A 10/1982 Cziptschirsch
4,364,597 A 12/1982 Viertel et al.
4,378,129 A 3/1983 Kaiser et al.

(Continued)

Related U.S. Patent Documents

Reissue of:

(64) Patent No.: **6,010,174**
Issued: **Jan. 4, 2000**
Appl. No.: **08/837,173**
Filed: **Apr. 14, 1997**

(51) **Int. Cl.**
B60J 3/02 (2006.01)

(52) **U.S. Cl.** **296/97.11**

(58) **Field of Classification Search** 296/97.9,
296/97.11, 97.13, 97.12
See application file for complete search history.

(56) **References Cited**

U.S. PATENT DOCUMENTS

2,095,715 A 12/1937 Rhein
2,201,348 A 5/1940 Roberts
2,201,377 A 5/1940 Schoenheit
2,201,378 A 5/1940 Schoenheit
2,207,668 A 7/1940 Hudgings, Jr.
2,221,182 A 11/1940 Davies
2,260,482 A 10/1941 Roberts
2,264,603 A 12/1941 Westrope
2,284,784 A 6/1942 Westrope
2,294,317 A 8/1942 Pelcher et al.
2,322,898 A 6/1943 Dresser
2,458,707 A 1/1949 Jacobs
2,566,523 A 9/1951 Holland et al.
2,667,222 A 1/1954 McCarthy et al.
2,921,813 A 1/1960 Lowry

FOREIGN PATENT DOCUMENTS

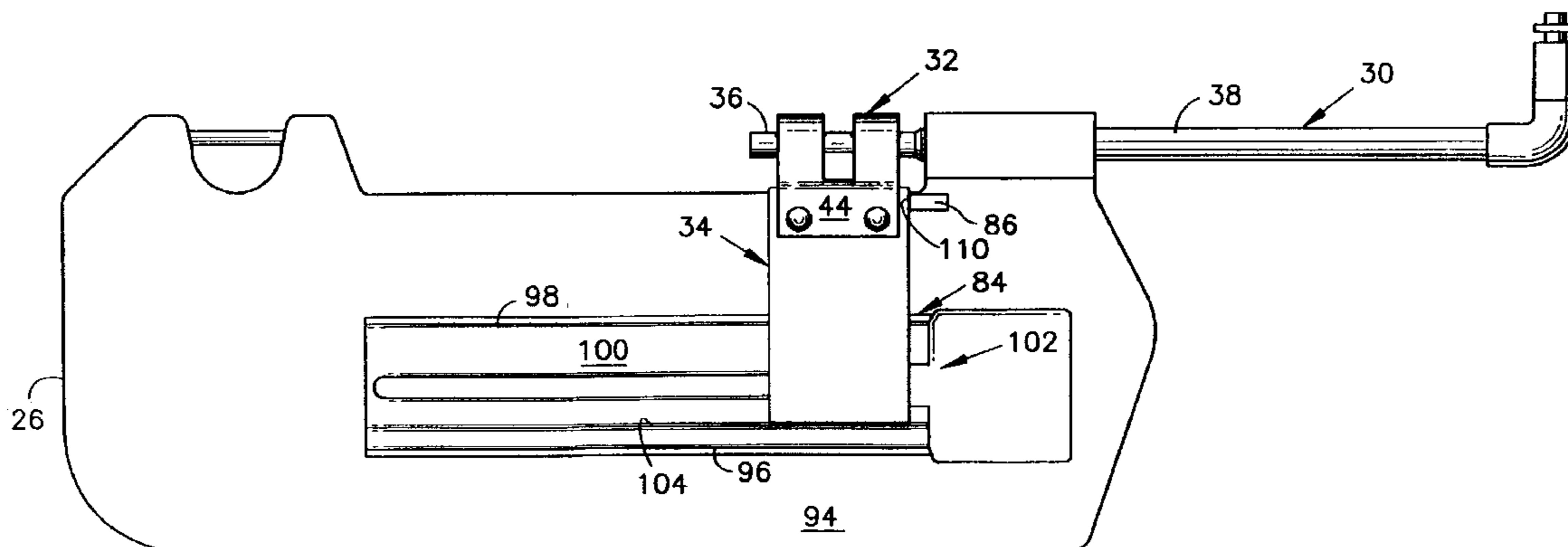
DE 33 24 305 A1 1/1985
DE 3324305 * 1/1985
DE 41 23 117 A1 1/1993
DE 42 08 267 C1 9/1993
EP 0 180 700 A2 5/1986
EP 0 231 440 A2 8/1987
FR 2 697 479 5/1994
GB 2 154 192 A 9/1985
JP 5-286363 11/1993

Primary Examiner—Dennis H. Pedder
(74) *Attorney, Agent, or Firm*—Brooks Kushman P.C.

(57) **ABSTRACT**

A sliding visor includes a rod assembly and a visor body. The rod assembly includes a rod, a torque control, and a guide. The rod extends longitudinally. The torque control pivotally attaches to the rod. The guide is fixed to one side of the torque control. The visor body includes a bore and a track. The bore extends longitudinally between the channel and the rear edge of the visor body. The rod is received within the bore and extends into the visor body. The track extends longitudinally along the upper surface of the visor body. The track forms a substantially enclosed longitudinally extending passage adjacent the upper surface of the visor body. The passage is shaped to receive a portion of the guide. When the visor is moved longitudinally along the rod, the track slides with respect to the guide.

15 Claims, 4 Drawing Sheets

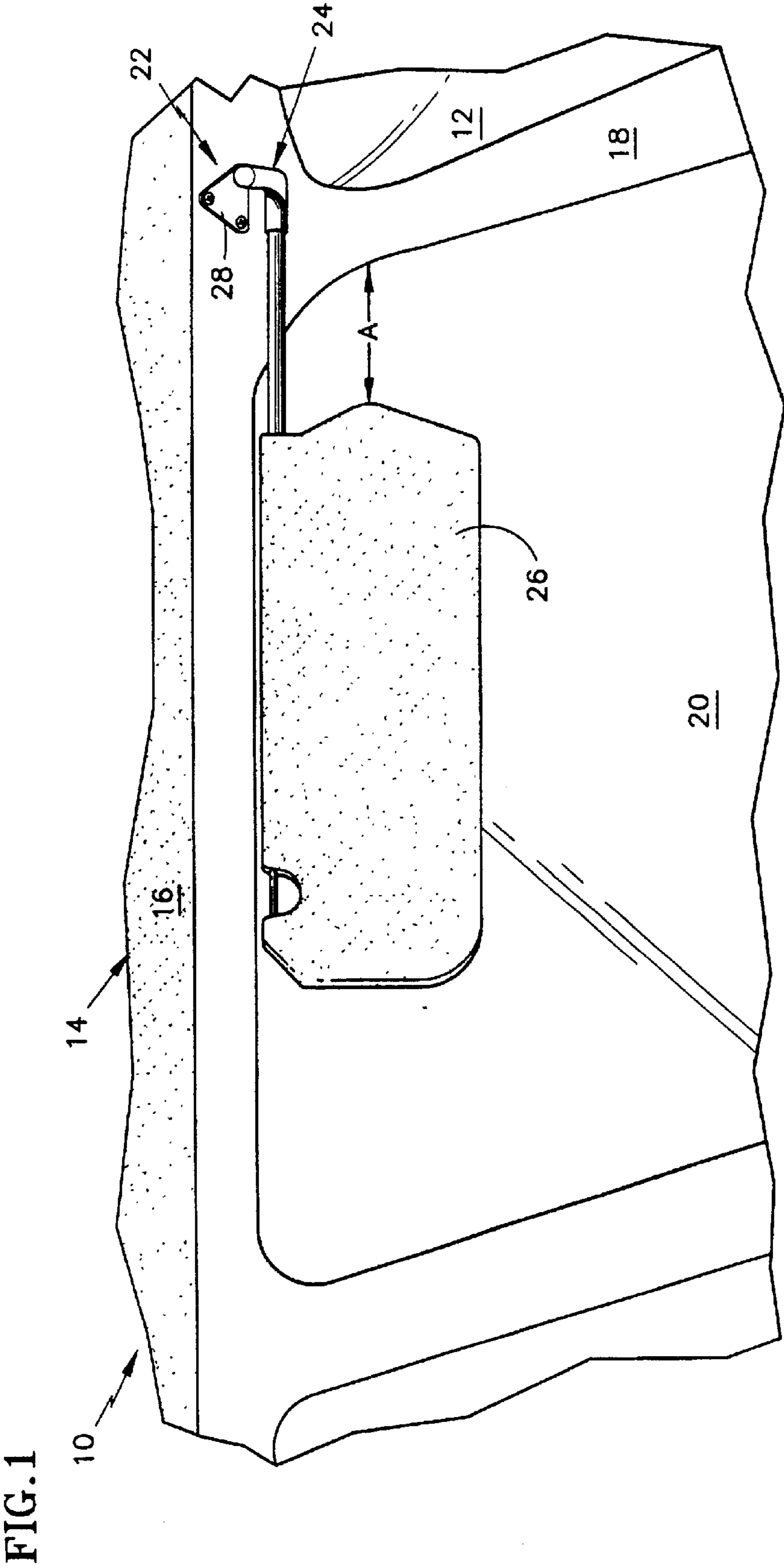


US RE39,316 E

Page 2

U.S. PATENT DOCUMENTS					
			5,044,687 A	*	9/1991 Abu-Shumays et al. 296/97.11
4,390,202 A	6/1983	Flowerday et al.	5,054,839 A		10/1991 White et al.
4,411,467 A	10/1983	Cziptschirsch et al.	5,071,186 A	*	12/1991 Hemmeke et al. 296/97.9
4,435,009 A	3/1984	Foggini	5,131,711 A		7/1992 Laferle
4,458,938 A	7/1984	Viertel et al.	5,161,850 A		11/1992 Redder et al.
4,494,789 A	1/1985	Flowerday	5,205,604 A		4/1993 Smith
4,500,131 A	2/1985	Fleming	5,205,635 A		4/1993 Van Order et al.
4,521,046 A	6/1985	Foggini	5,205,639 A		4/1993 White et al.
4,525,008 A	6/1985	Foggini	5,255,965 A		10/1993 Chen et al.
4,533,275 A	8/1985	Foggini	D346,358 S		4/1994 Peterson
4,582,356 A	4/1986	Kaiser et al.	5,331,518 A		7/1994 Roark et al.
4,635,994 A	1/1987	Dietz et al.	5,338,082 A		8/1994 Miller
4,681,363 A	7/1987	Hemmeke et al.	5,365,416 A		11/1994 Peterson
4,696,510 A	9/1987	Zwirner	5,374,097 A		12/1994 George et al.
4,734,955 A	4/1988	Connor	5,409,285 A	*	4/1995 Snyder et al. 296/97.11
4,763,946 A	8/1988	Robbins et al.	5,445,427 A		8/1995 Vandagriff
4,810,023 A	3/1989	Kawada	5,454,617 A		10/1995 Welter
4,858,983 A	8/1989	White et al.	5,538,310 A	*	7/1996 Frankhouse et al. 296/97.4
4,902,063 A	2/1990	Crink	5,560,669 A		10/1996 Gute
4,921,300 A	5/1990	Lawassani et al.	5,580,118 A		12/1996 Crotty, III
4,925,233 A	*	5/1990 Clark 296/97.11	5,645,308 A	*	7/1997 Fink 296/97.9
4,941,704 A	7/1990	Baumert et al.	5,653,490 A	*	8/1997 Fink et al. 296/97.11
4,952,008 A	8/1990	Lobanoff et al.	RE35,622 E		10/1997 Wilson
4,982,992 A	*	1/1991 Vu et al. 296/97.6	5,823,603 A		10/1998 Crotty, III
4,998,765 A	3/1991	Van Order et al.	5,860,690 A		1/1999 Dellinger et al.
5,004,288 A	*	4/1991 Viertel et al. 296/97.11	5,871,252 A		2/1999 Gute
5,004,289 A	4/1991	Lanser et al.	5,887,933 A		3/1999 Peterson
5,007,532 A	4/1991	Binish	5,906,424 A		5/1999 Peterson
5,011,212 A	4/1991	Viertel et al.	5,924,748 A		7/1999 Zapinski
5,026,108 A	6/1991	Leahy	6,010,174 A	*	1/2000 Murdock et al. 296/97.11
5,031,953 A	7/1991	Miller	6,067,078 A		5/2000 Hartman
5,042,867 A	8/1991	Crotty, III et al.			
5,042,897 A	8/1991	Meltz et al.			

* cited by examiner



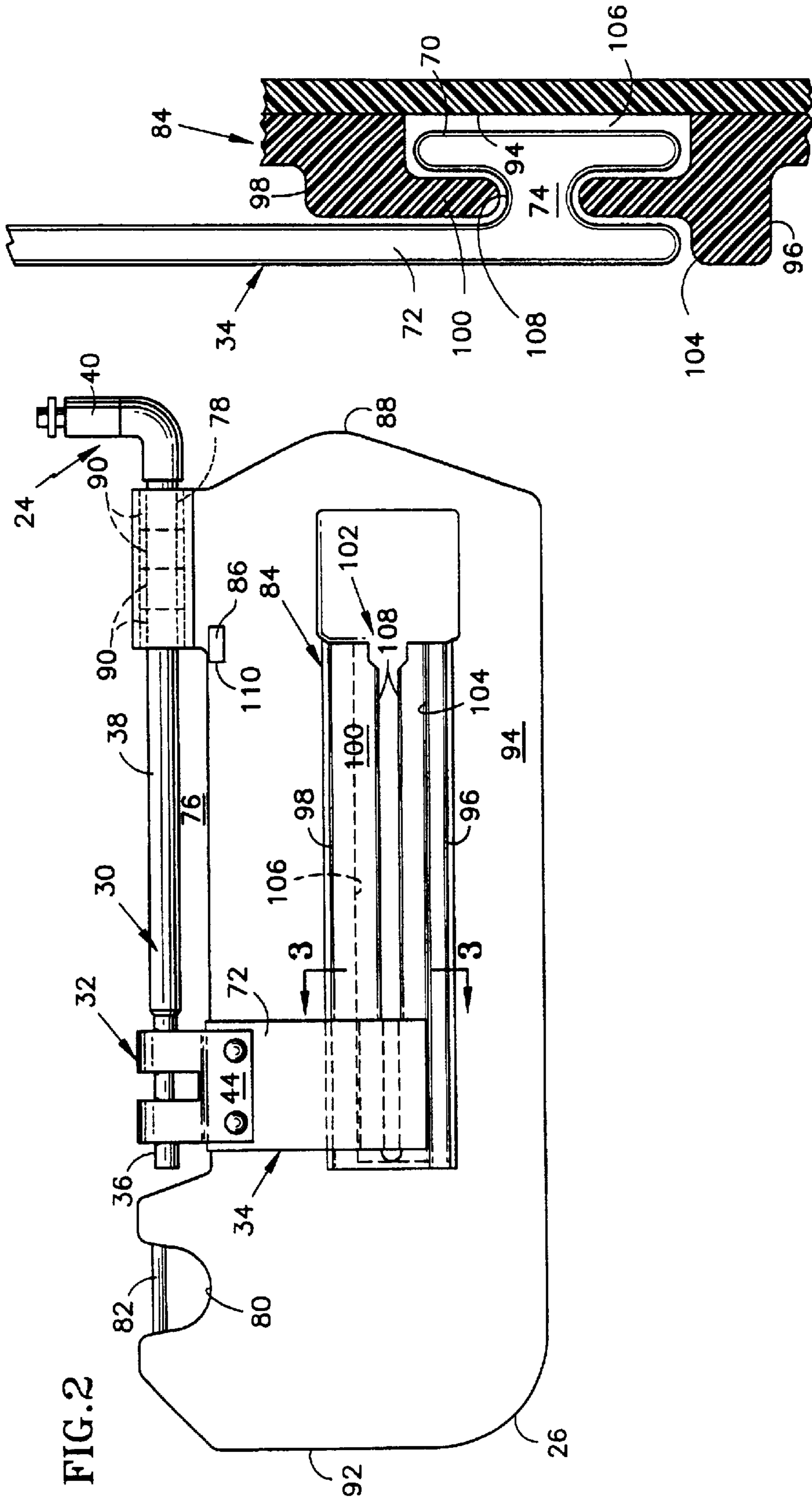
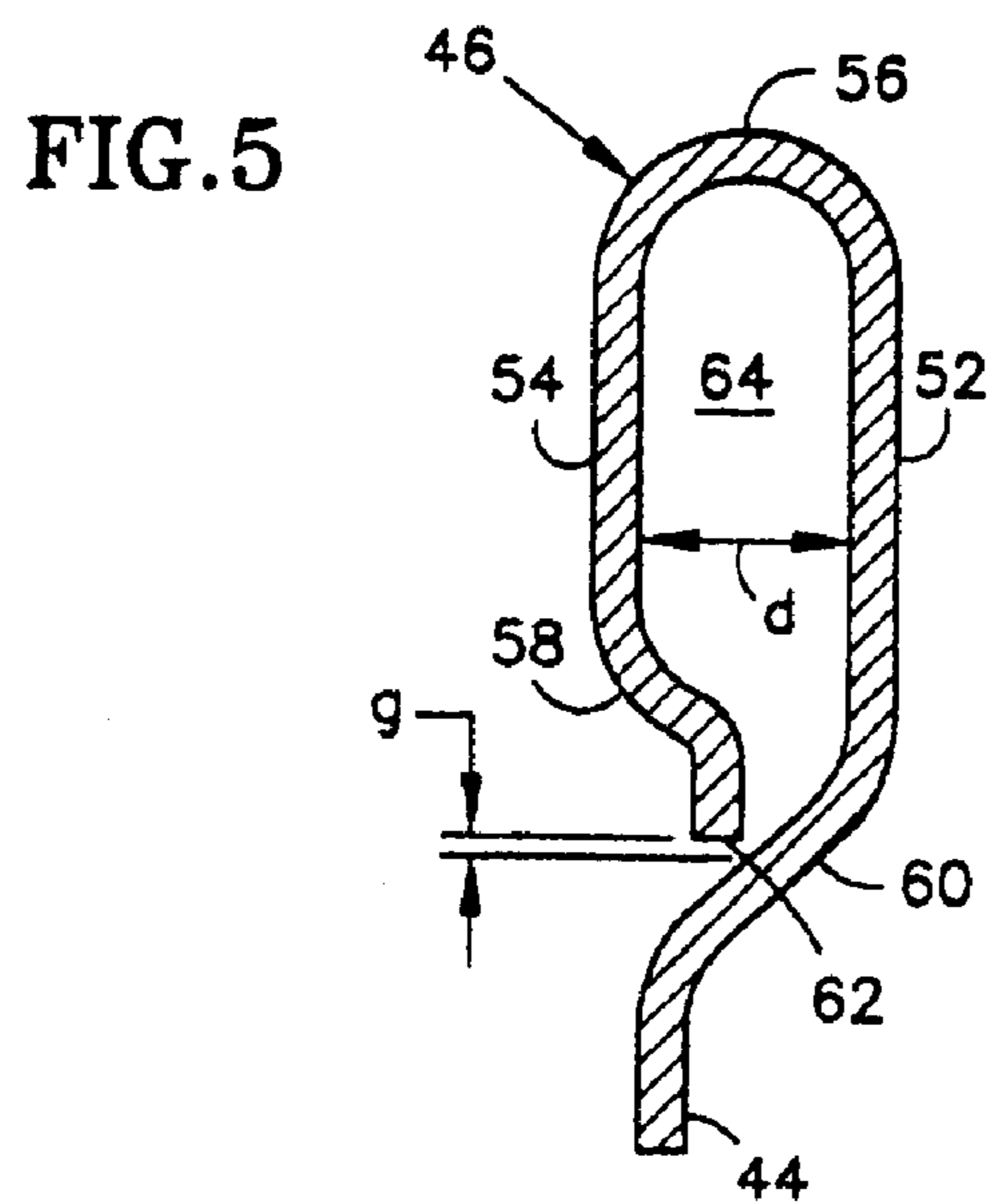
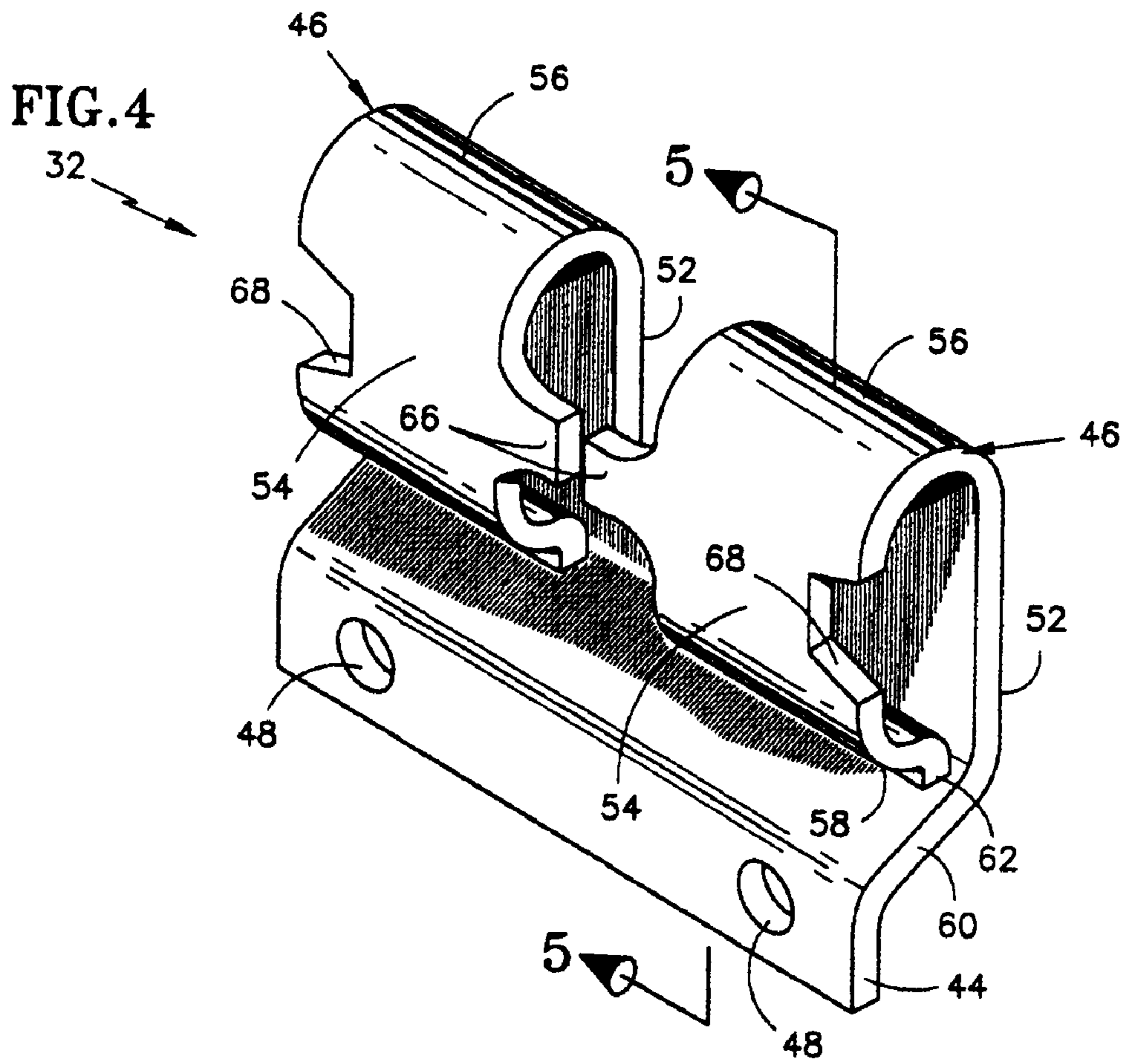
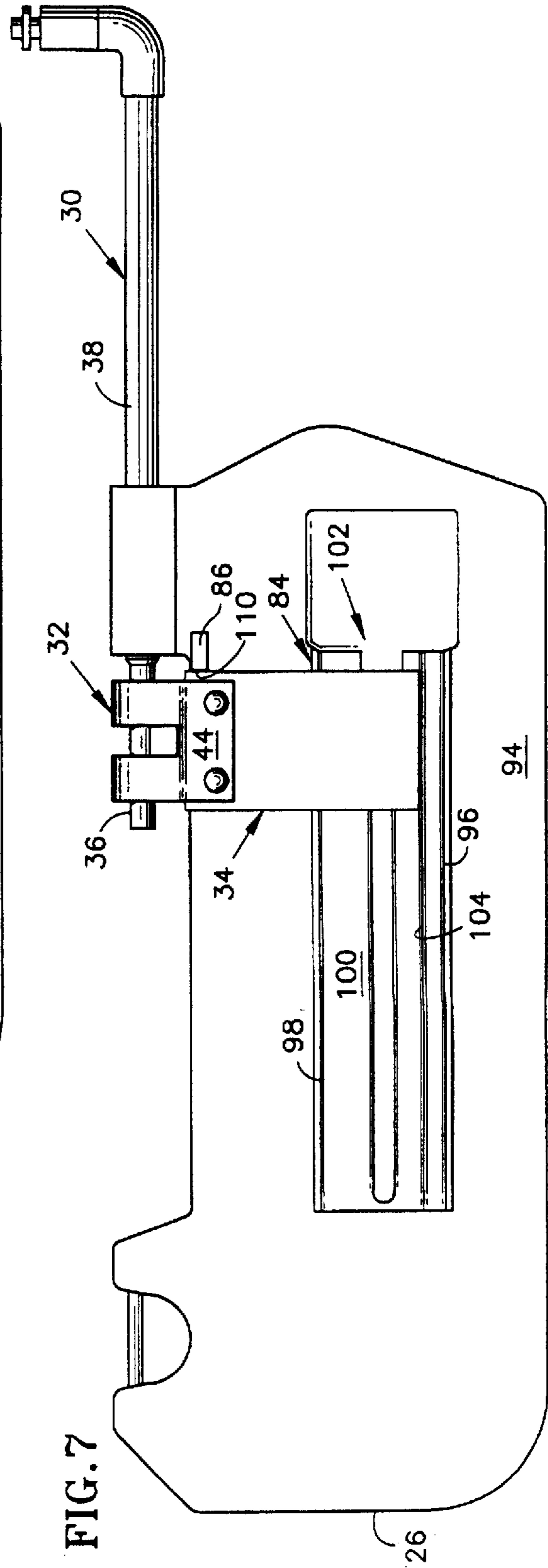
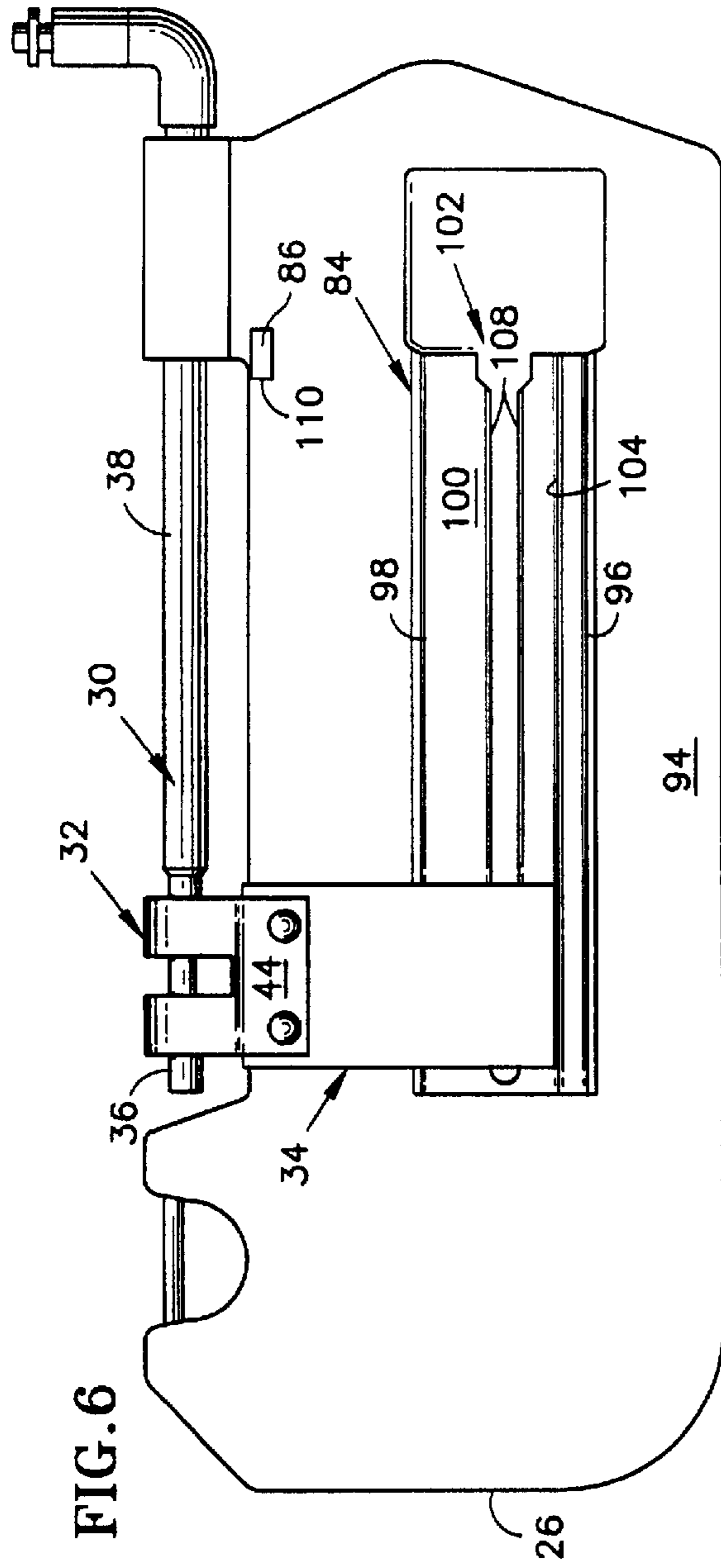


FIG. 3

FIG. 2





SLIDING VISOR

Matter enclosed in heavy brackets [] appears in the original patent but forms no part of this reissue specification; matter printed in italics indicates the additions made by reissue.

TECHNICAL FIELD

The present invention relates to a visor, and more particularly to a sliding visor for use in a vehicle.

BACKGROUND OF THE INVENTION

The passenger compartments of vehicles are usually equipped with sun visors. The visors are mounted on pivot rods. The visors rotate downwardly from a stored position against the headliner of the vehicle to various lower positions for shielding the eyes of the occupants from sunlight. A torque control rotatably attaches the visor to the rod. The torque control must hold the visor at the various positions, yet permit relatively easy adjustment of the visor. Some of such visors are laterally adjustable along the rod for enhanced shielding effectiveness.

A number of such visors have been proposed; however, they are problematic. A number of visors use a metal extrusion in which to house the torque control. The torque control slides within the extrusion. This type of apparatus requires numerous parts and therefore is costly.

Yet another visor design utilizes a visor with a guide means and a torque control. The guide means includes a plurality of parallel rails, a plurality of disks and a coupling means. The rails extend longitudinally on one surface of the visor. The torque control is disposed on the rails. The torque control has a longitudinally extending slot herethrough. The plurality of disks contact the other side of the torque control. The coupling means fastens the disks to the core. The coupling means extends through the slot in the torque control. The engagement of the torque control with the rails and disks allows the visor to be moved with respect to the torque control. This apparatus requires numerous parts, and therefore is costly.

Another visor design utilizes a visor with a L-shaped arm which extends outwardly from one surface of the visor core. The rod extends longitudinally along the visor core. A separate panel includes two spaced L-shaped arms which extend outwardly from the surface of the panel. When assembled the L-shaped arm on the visor interlocks with the L-shaped arms on the panel, so that these parts are in sliding engagement with one another.

Therefore, a sliding visor is sought which can be rotated from a stored position to a use position, and which can be moved longitudinally along the rod. It is desired that the visor be aesthetically pleasing, and have a relatively simple design.

SUMMARY

According to an embodiment of the present invention, a sliding sun visor assembly includes a rod assembly, and a visor body. The rod assembly includes a rod, torque control, and a guide. The visor body includes a bore and a track.

The rod is placed through the visor body bore and extends longitudinally into the visor body. The torque control pivotally attaches to the rod. The guide is fixed to one surface of the torque control.

The track extends longitudinally on one surface of the visor body. The track forms a substantially enclosed longi-

tudinally extending passage adjacent the surface of the visor body. The passage is shaped to receive a portion of the guide in a sliding engagement. Upon moving the visor longitudinally along the rod, the track slides relative to the guide, which allows the visor to be used in an extended or retracted position.

In one embodiment, the guide has a substantially H-shaped cross section.

The foregoing invention will become more apparent in the following detailed description of the best mode for carrying out the invention and in the accompanying drawings.

BRIEF DESCRIPTION OF THE DRAWING

FIG. 1 is a fragmentary perspective view of a sun visor assembly embodying the present invention, the visor is in a lowered, extended position.

FIG. 2 is a front partial view of the visor assembly shown in FIG. 1; the visor is in a lowered, retracted position with a cover removed for clarity.

FIG. 3 is a partial cross-sectional view along line 3—3 of FIG. 2 of a portion of the visor assembly.

FIG. 4 is a rear perspective view of a preferred embodiment of the torque control for use with the visor assembly of the present invention.

FIG. 5 is a cross-sectional view along line 5—5 in FIG. 4 of the torque control without a rod disposed therein.

FIG. 6 is a front partial view of the visor assembly shown in FIG. 2, the visor is in a lowered, retracted position with the cover removed for clarity.

FIG. 7 is a front partial view of the visor assembly shown in FIG. 2; the visor is in a lowered, extended position with the cover removed for clarity.

BEST MODE FOR CARRYING OUT AN EMBODIMENT THE INVENTION

Referring to FIG. 1, a vehicle 10 includes a windshield 12 and a roof covered by a headliner 14 with an upholstered surface 16 to provide a trim appearance to the vehicle. The vehicle further includes an A-pillar 18 separating the windshield 12 and a side window 20. A sliding sun visor assembly 22 is shown on the driver's side of the vehicle.

The sliding sun visor assembly 22 includes a pivot rod assembly 24, and a visor body 26. The pivot rod assembly mounts the visor body 26 to the roof of the vehicle. The visor body can have a number of positions. In the lowered, extended position, the visor is adjacent the side window 20 and spaced from the A-pillar 18. As indicated by the arrow A, the visor body 26 can be moved from the extended position to the lowered, retracted position (as shown in FIG. 2) adjacent the side window 20 and the A-pillar 18. The visor body can be placed in a raised, stored position (not shown), where the visor is adjacent the headliner 14.

Referring to FIGS. 1 and 2, the pivot rod assembly 24 includes an elbow bracket 28, a L-shaped pivot rod 30, a torque control 32, and a guide or shoe 34. The elbow bracket 28 attaches to the roof of the vehicle and pivotally secures one end of the rod 30 to the vehicle.

The longitudinally extending pivot rod 30 includes a metal insert 36, which is molded into a plastic cover 38. The plastic cover 38 covers all but a portion of the metal insert 36. The metal insert 36 includes a plurality of lobes and flats (not shown) for cooperating with the torque control 32.

The end of the plastic cover 38 opposite the exposed portion of the metal insert includes a conical tower 40. The

3

conical tower **40** allows the rod **30** to be snapped into a conventional elbow bracket **28**.

The metal insert **36** may be formed from a low carbon steel, and can be extruded and bent. The flats and lobes (not shown) on the metal insert are formed using a coining process. The number of flats and lobes formed depends on the torque control used. The plastic cover **38** is formed from nylon or glass-filled nylon and is injection molded with the metal insert therein.

Referring to FIG. 2, the torque control **32** allows the visor body **26** to be moved between and held at various rotational positions with respect to the rod. The torque control **32** is a piece of metal bent from a substantially U-shaped blank. The torque control **32** is pivotally attached to the metal insert portion of the rod by means of the lobes and flats and the geometry of the torque control. In this embodiment, the torque control **32** is formed from spring steel.

Referring to FIG. 4, torque control **32** includes a flange **44** and two legs **46**. The flange **44** is longitudinally extending and has two spaced holes **48**. A plane of the torque control is designated by the flange. The two legs **46** are spaced apart from one another and extend from the edge of the flange **44** at opposite ends thereof.

Referring to FIG. 5, each of the legs **46** has a substantially elliptical cross-sectional shape. The cross-sectional shape includes a first sidewall **52**, a second sidewall **54**, an upper concave portion **56**, a lower concave portion **58**, an angled portion **60**, and end portion **62**. The first and second sidewalls **52** and **54** are substantially parallel to the flange **44** and spaced from one another. The upper portion **56** is curved and connects the first and second sidewalls. The lower portion **58** is curved toward the first sidewall **52**.

The angled portion **60** extends outwardly at an angle from the flange **44** to the first sidewall **52**. The end portion **62** extends from the free end of the lower curved portion **58**. The end portion **62** is substantially parallel to the flange **44**. The free end of the end portion **62** is spaced from the angled portion **60** leaving a gap represented by the arrow *g*.

In other embodiments, the angled portion **60** and the end portion may be eliminated and the design of the control modified in order to be used with different visor body geometries.

A channel **64** is formed through each elliptical leg, between the first and second sidewalls. The distance between these sidewalls is represented by the arrow *d*. The torque control should be formed to operate as a functional hinge, so that the rotational axis of the rod cannot move during use.

Referring to FIG. 4, the second sidewall **54** of each leg **46** includes an extension **66** longitudinally extending from the inner edges of each second sidewall **54**. The extensions **66** extend between the legs **46**. Each second sidewall **54** also includes a cutout **68** extending inwardly from the outer edges of each second sidewall **54**.

The torque control **42** is cut from a sheet of SAE **1070** or **1095** spring steel with a thickness of from 0.9 to 1.1 mm, and bent to the desired shape. The material is heat treated to a Rockwell hardness of from 47 to 49. The dimensions of the features are experimentally determined and depend on the predetermined visor system thickness, the rod's dimensions, the material used, and the force requirements. A conventional lubricant should be used. The lubricant should work at high and low temperatures.

Referring to FIGS. 2 and 3, the guide **34** has a substantially H-shaped cross section. The H-shaped guide **34**

4

includes a first leg **70** joined to a second leg **72** by a cross bar **74**. The guide is another embodiment can be a T-shaped extension. The first and second legs are spaced and parallel to one another. The free end of the second leg **72** is attached to the base **44** of the torque control **32** using conventional fasteners (not shown), such as rivets. The fasteners extend through the holes **48** in the torque control. The guide **34** is formed by injection molding from nylon or other suitable plastics.

Referring to FIG. 2, the visor body **26** includes a channel **76**, a bore **78**, a cutout **80**, a pin **82**, a slide track **84**, and a projection **86**. The visor body **26** is substantially rectangular with the channel **76** longitudinally extending along a portion of the top edge of the visor body. When cloth or the like (not shown) is wrapped around the visor body the channel **76** is enclosed.

The bore **78** extends longitudinally through the upper portion of the visor body between the channel **76** and the front edge **88**. In this embodiment, the bore **78** is formed by a conventional arrangement of a plurality of curved arms **90**. The arms **90** alternately form lower and upper curved surfaces of the bore. During movement of the visor body between the stored and lowered positions the arms **90** act as a hinge. The bore **78** is dimensioned such that the visor body **26** slides smoothly over the rod **30** during lateral movement of the visor body.

The cutout **80** is U-shaped and formed within the top edge of the visor body **26** between the channel **76** and the rear edge **92**. The pin **82** extends longitudinally across the cutout **80**. Referring to FIG. 1, the vehicle **10** includes a bracket (not shown). This bracket is located adjacent the windshield **12** and spaced from the elbow bracket **28**. Then the pin **82** is secured within the bracket (not shown) the visor **26** is retained along the windshield **12** either in the stored position or the lowered position.

Referring to FIGS. 2 and 3, the slide track **84** is integrally formed on the upper surface **94** of the visor body. The slide track **84** includes a first vertical wall **96**, a second vertical wall **98** spaced from the first vertical wall **96**, a horizontal wall **100**, and an opening **102**.

The first and second vertical walls **96** and **98** extend from the upper surface **94** of the visor body. The horizontal wall **100** joins the first and second vertical walls **96** and **98**. A ridge **104** extends from the first vertical wall **96**. The horizontal wall **100** is substantially parallel to and spaced from the surface **94** of the visor body, so that a substantially enclosed passage **106** is formed therebetween. The surface **94** of the visor body may be the back of a mirror frame assembly in some applications. The passage **106** extends longitudinally along a portion of the visor body adjacent the surface **94**. The passage is shaped to receive a portion of the guide **34** in a sliding engagement. The horizontal wall **100** includes a partially longitudinally extending slot **108**.

The opening **102** is formed at the free end of each of the walls. The walls are shaped so that they are angled at the opening **102** thus forming lateral and vertical lead-ins into the passage.

The projection **86** extends from the upper surface **94** of the visor body. The projection is wedge shaped angled upwardly from the rear edge **88** toward the forward edge **92**. Thus the projection **86** includes a vertical surface **110**, which is aligned with the opening **102** of the track **84**.

The visor body and all of its components may be integrally injection molded from ABS plastic or other suitable plastics that have the appropriate properties for an automotive environment.

5

Assembly will now be discussed with reference to FIGS. 2 and 3. The guide 3 is inserted into the track 84, so that the first leg 70 is within the passage 106. The angled free ends of the track walls guide the guide 34 into the passage 106 vertically and laterally. The rod 30 is then inserted through the visor body bore 78. Thus, the rod 30 extends into the channel 76. The metal insert 36 is passed through the channels 64 of the torque control 42 (as shown in FIGS. 4 and 5) until the lobe (not shown) is between the legs 46 in the cutout. This prevents the torque control 42 from moving upon the rod 30. Thus the torque control 42 is partially within the channel 76. The guide 34 and the torque control 42 are fastened together using the holes 48 and conventional fasteners such as rivets. This may require that holes be drilled into the guide and the visor body.

Assembly of the visor using conventional methods will now be discussed. A cover cloth and foundation paper are cut larger than the visor body 26. The foundation paper and the cover cloth are laid in a butterflyed, open position with a symmetric configuration about a centerline fold. The cover cloth is folded along the edges of the foundation paper. The openings for the pin 82 and the mirror are cut, if required, into the cover assembly. The center pin opening is core folded and a sealing aid is applied to the cover assembly. The sealing aid used will depend on the cloth used. In some applications it may not be necessary. The cover assembly is prefolded along the centerline fold, then the visor body is inserted therein. The cover is dielectrically sealed about the visor body. Then the mirror is attached to the visor.

Use of the visor assembly will now be discussed with reference to FIGS. 1, 6, and 7. The visor body 26 is lowered from the stored position to the lowered position and pivoted to the lowered position adjacent the side window 20.

The visor body 26 can be moved from the lowered retracted position (as shown in FIG. 6) to the lowered extended position (as shown in FIG. 7), as illustrated by the arrow A, by moving the visor body 26 away from the A-pillar 18. Moving the visor body 26 causes the bore 78 to slide along the rod 30, and the track 84 to slide along the guide 34. The guide 34 guides the visor body during lateral movement. Since the plastic visor body is in a sliding interface with the plastic rod cover 38, friction is low and wear is minimized. The visor can be located at various positions along the length of the rod 30 depending on the position of the sun. The projection 86 acts as a stopping means in cooperation with the guide to limit the lateral extension of the visor body by engaging the guide with the vertical wall 110 of the projection.

The principal advantage of the present invention is that the sliding visor provides a simple design which is easy to manufacture and assemble. The design also minimizes vibration and rattling due to sizing the guide and the track such that these phenomenon are minimized. An additional advantage of the present invention is that the only exposed plastic required is that covering the rod. This design also does not require a metal extrusion for the torque control to rest within. This also makes the design versatile so that it can be used with a variety of different size and shape visors.

While a particular invention has been described with reference to illustrated embodiments, various modifications of the illustrative embodiments, as well as additional embodiments of the invention, will be apparent to persons skilled in the art upon reference to this description without departing from the spirit and scope of the invention, as recited in the claims appended hereto. These modifications include, but are not limited to, modifying the shape of the

6

guide and the track. The guide and passageway can be any shape, so long as together the guide and track accomplish the sliding function reliably. The friction provided by these parts should be enough to minimize rattle and excessive movement between these parts. The torque control may be modified so that a simpler or more complex clip is used depending on the application. The formation of the bore in the visor body can be modified so that the alternating arms are not used. The sliding visor concept can be used with any other type of visor construction, such as a two-piece visor body. It is therefore contemplated that the appended claims will cover any such modification or embodiments that fall within the true scope of the invention.

We claim:

1. A sliding sun visor assembly comprising:

a rod assembly including
a longitudinally extending rod;
a torque control pivotally attached to said rod, and
a guide fixed to one surface of said torque control, said guide having a substantially H-shaped across section; and

a visor body including
a longitudinally extending bore for receiving said rod, and
a longitudinally extending track, said track forming a substantially enclosed longitudinally extending passage adjacent one surface of said visor body, said passage being shaped to receive a portion of said guide in a sliding engagement; whereby upon moving the visor body longitudinally along said rod, said track slides relative to said guide.

2. [The sliding visor assembly of claim 1.] *A sliding sun visor assembly comprising:*

a rod assembly including a longitudinally extending rod, a torque control pivotally attached to said rod, and a guide fixed to one surface of said torque control, said guide having a substantially H-shaped cross section; and

a visor body including a longitudinally extending bore for receiving said rod, and a longitudinally extending track, said track forming a substantially enclosed longitudinally extending passage adjacent one surface of said visor body, said passage being shaped to receive a portion of said guide in a sliding engagement; whereby upon moving the visor body longitudinally along said rod, said track slides relative to said guide;

wherein said track includes a first [vertical] wall extending *perpendicularly* from said surface of said visor body; a second [vertical] wall extending *perpendicularly* from said surface of the visor body, said second [vertical] wall being spaced from said first [vertical] wall; and a [horizontal] *third* wall substantially parallel to said surface of the visor body, said [horizontal] *third* wall extending between the first and second walls and being spaced from said surface of said visor body such that said passage is formed therebetween, said [horizontal] *third* wall including a partially longitudinally extending slot.

3. A sliding sun visor assembly comprising:

a rod assembly including a longitudinally extending rod,
a torque control pivotally attached to said rod, and a
guide fixed to one surface of said torque control; and
a visor body including a longitudinally extending bore for receiving said rod, and a longitudinally extending track, said track forming a substantially enclosed longitudinally extending passage adjacent one surface of said

7

visor body, said passage being shaped to receive a portion of the guide in a sliding engagement whereby upon moving said visor body longitudinally along said rod, said track slides relative to said guide, said track further including a first [vertical] wall extending from, *and perpendicular to* said surface of said visor body, a second [vertical] wall extending from, *and perpendicular to* said surface of said visor body, said second [vertical] wall being spaced from, *and parallel to* said first [vertical] wall, and a [horizontal] *third* wall substantially parallel to said surface of said visor body, said [horizontal] *third* wall extending between said first and second walls and being spaced from said surface of said visor body such that said passage is formed therebetween, said [horizontal] *third* wall including a partially longitudinally extending slot.

4. A sliding sun visor assembly comprising:

a rod assembly including a longitudinally extending rod, a torque control pivotally attached to said rod, and a guide fixed to one surface of said torque control; and a visor body including a longitudinally extending bore for receiving said rod, and a longitudinally extending track, said track forming a substantially enclosed longitudinally extending passage adjacent one surface of the visor body, said passage being shaped to receive a portion of the guide in a sliding engagement whereby upon moving said body longitudinally along said rod, said track slides relative to said guide, said guide further including a first leg coupled to said torque [controls] *control*, a second leg, and a cross bar joining said first leg to said second leg, such that said legs are spaced and parallel to one another, wherein upon assembly said second leg is received within said passage and said cross bar extends through a slot formed within said track.

5. A sliding sun visor assembly comprising:

a rod assembly including:

a longitudinally extending rod;

a torque control pivotally attached to said rod, and a guide fixed to one surface of said torque control, the guide having a pair of opposing legs extending transversely away from said rod, the legs defining a longitudinal slot therebetween; and

a visor body including:

a structure projecting therefrom defining a longitudinally extending bore for receiving said rod, and a longitudinally extending track being shaped to receive a portion of said guide, wherein the track cooperates longitudinally between the pair of opposing legs of said guide in a sliding engagement within the slot, whereby upon moving the visor body longitudinally along said rod, said track slides relative to said guide;

wherein said track forms a substantially enclosed longitudinally extending passage adjacent one surface of said visor body, and said visor is assembled by sliding the opposing legs of said guide onto said track from an opening to the passage provided on a distal end of said track.

8

6. The visor of claim 5, wherein the torque control defines a first pivotal attachment to said rod, and the structure projecting from the visor body at least partially circumscribes said rod and defines a second pivotal attachment to said rod, wherein at least one of said pivotal attachments is slidably engaged to said rod, and said second pivotal attachment is slidably engaged with said rod.

7. The visor of claim 6, wherein the track and the second pivotal attachment are fixed with respect to the visor body, such that linear movement of the track with respect to the guide is generally equivalent to corresponding linear movement of the second pivotal attachment with respect to the rod.

8. The visor of claim 5, wherein said track includes at least one wall that projects from said visor body.

9. The visor of claim 8, wherein a lowermost portion of said guide is U-shaped for cooperating with said projecting wall of said track.

10. The visor of claim 8, wherein the pair of opposing legs slidably receive said wall that projects from said visor body therebetween.

11. The visor of claim 8, wherein a ridge extends from said wall of said track of said visor body.

12. The visor of claim 6, wherein a portion of said visor body associated with and proximate to said second pivotal attachment limits the longitudinal movement of said visor body by contact with said first pivotal attachment.

13. The visor of claim 6, wherein a portion of said visor body associated with and proximate to said second pivotal attachment defines a limit to a longitudinal range of movement of said visor body along said rod by contacting the torque control at a first end of said longitudinal range of movement.

14. The visor of claim 5, wherein a structure projecting from said visor body limits the longitudinal movement of said visor body along said rod by said guide.

15. A sliding sun visor comprising:

a rod assembly including a longitudinally extending rod, a torque control pivotally attached to said rod defining a first pivotal attachment to said rod, said first pivotal attachment being substantially coaxial with said longitudinal rod, and a guide fixed to and extending from one surface of said torque control, said guide including a pair of opposing legs extending therefrom defining a longitudinal slot therebetween; and

a visor body including a longitudinally extending bore for receiving said rod allowing said visor body to slide axially with respect to said rod, said longitudinally extending bore being substantially coaxial with said rod; said visor body also including a longitudinally extending track slidably engaged between said opposing legs of said guide and received within said longitudinal slot, said track forming a substantially enclosed longitudinally extending passage adjacent one surface of said visor body, said passage being shaped to receive a portion of said guide in a sliding engagement; whereby upon moving the visor body longitudinally along said rod, said track slides relative to said guide.

* * * * *