



US00RE39176E

(19) **United States**  
(12) **Reissued Patent**  
**Dutt**

(10) **Patent Number: US RE39,176 E**  
(45) **Date of Reissued Patent: Jul. 11, 2006**

(54) **RESIN-IMPREGNATED BELT FOR APPLICATION ON PAPERMAKING MACHINES AND IN SIMILAR INDUSTRIAL APPLICATION**

5,626,723 A \* 5/1997 Schiel et al. .... 162/358.4  
5,833,898 A \* 11/1998 Dutt ..... 264/102  
6,171,447 B1 1/2001 Trokhan

(75) Inventor: **William H. Dutt**, Wolfeboro, NH (US)  
(73) Assignee: **Albany International Corp.**, Albany, NY (US)

FOREIGN PATENT DOCUMENTS  
EP 0 354 743 B1 2/1990  
EP 0 534 041 B1 3/1993  
WO WO 88/08897 11/1988  
WO WO 95/29293 11/1995

(21) Appl. No.: **10/342,983**  
(22) Filed: **Jan. 15, 2003**

OTHER PUBLICATIONS

“Fundamentals of Composites Manufacturing Materials, Methods, and Applications,” by A.B. Strong, Society of Manufacturing Engineers, Michigan; pp. 66–78, 1989.\*  
Fundamentals of Composites Manufacturing: Materials, Methods, and Applications, Society of Manufacturing Engineers, 1989, pp. 66–78.

Related U.S. Patent Documents

Reissue of:

(64) Patent No.: **6,174,825**  
Issued: **Jan. 16, 2001**  
Appl. No.: **08/987,827**  
Filed: **Dec. 9, 1997**

\* cited by examiner

(51) **Int. Cl.**  
**D21F 3/02** (2006.01)

*Primary Examiner*—Cheryl A. Juska  
(74) *Attorney, Agent, or Firm*—Frommer Lawrence & Haug LLP; Ronald R. Santucci

(52) **U.S. Cl.** ..... **442/43**; 442/3; 442/50;  
442/58; 442/187; 442/203; 442/220; 442/307;  
442/314; 442/333; 442/366; 162/358.4;  
162/901

(57) **ABSTRACT**

(58) **Field of Classification Search** ..... 442/1–3,  
442/37, 43, 46, 50, 58, 181, 187, 203, 218,  
442/220, 304, 307, 312–314, 327, 330, 333,  
442/366; 162/358.4, 901; 428/113, 114, 423.1  
See application file for complete search history.

A resin-impregnated endless belt for a long nip press or calender of the shoe type, or for other papermaking and paper-processing applications, has a base fabric in the form of an endless loop with an inner surface, an outer surface, a machine direction and a cross-machine direction. The base fabric has machine-direction (MD) structural elements and cross-machine-direction (CD) structural elements in an open structure wherein at least some of the MD structural elements and CD structural elements are spaced apart from one another. The MD structural elements cross the CD structural elements at a plurality of crossing points, where they are joined to one another by mechanical, chemical or thermo-bonding means. A coating of a first polymeric resin is on the inner surface of the base fabric. The first polymeric resin impregnates and renders the base fabric impermeable to liquids, and forms a layer on the inner surface thereof. The coating is smooth and provides the belt with a uniform thickness. A method for manufacturing the belt, using a smooth and polished cylindrical mandrel with a spacer ring slidably disposed thereon, is also shown.

(56) **References Cited**

U.S. PATENT DOCUMENTS

4,552,620 A 11/1985 Adams  
4,908,103 A \* 3/1990 Cronin et al. .... 162/358  
4,923,570 A 5/1990 Steiner et al.  
5,118,391 A \* 6/1992 Matuszczyk et al. .... 162/358  
5,132,141 A 7/1992 Schon  
5,134,010 A 7/1992 Schiel  
5,196,092 A \* 3/1993 Stigberg ..... 162/358.4  
5,238,537 A \* 8/1993 Dutt ..... 162/358.4  
5,277,728 A 1/1994 Stigberg  
5,320,702 A 6/1994 Matuszczyk et al.

**41 Claims, 13 Drawing Sheets**

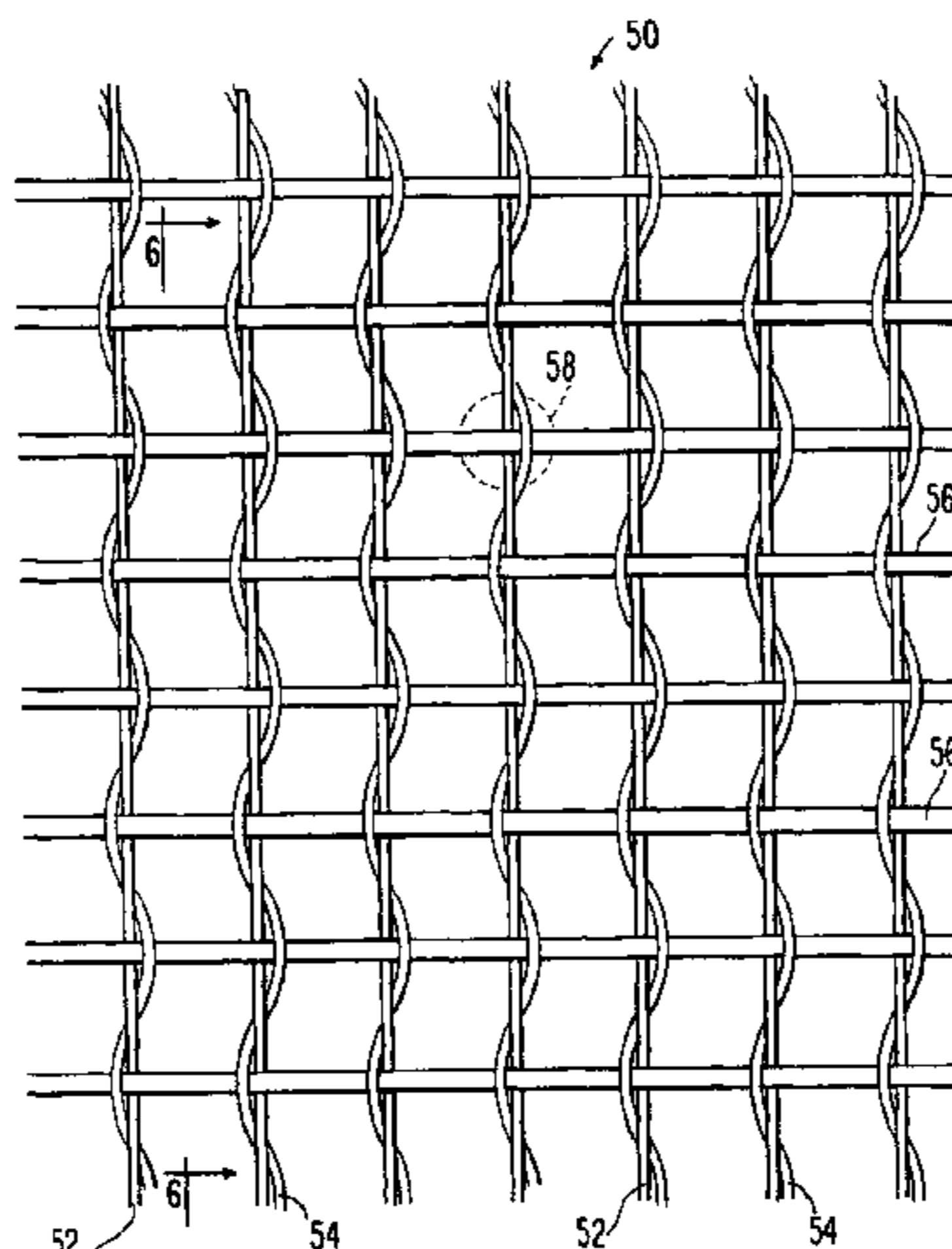
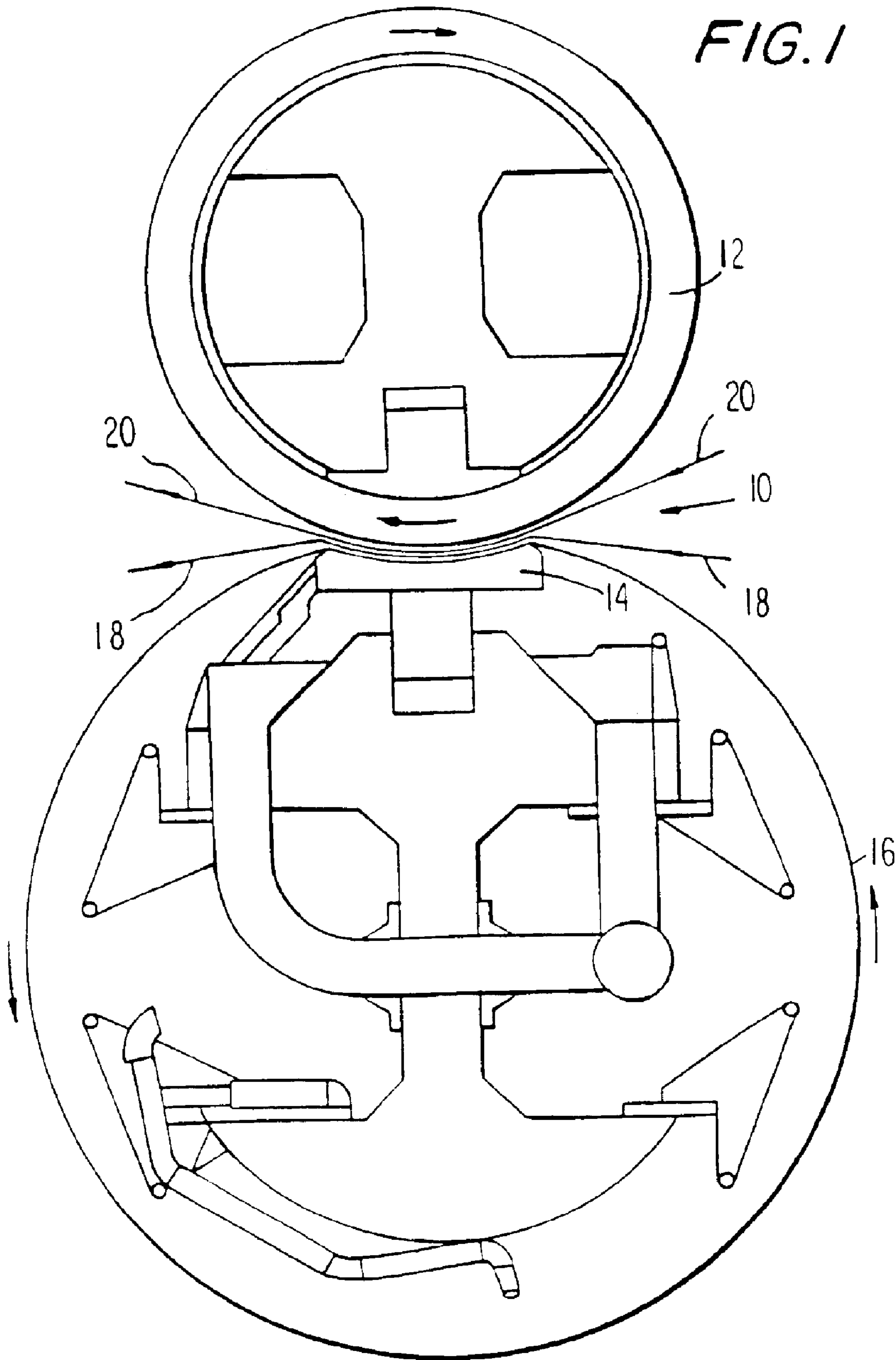


FIG. 1



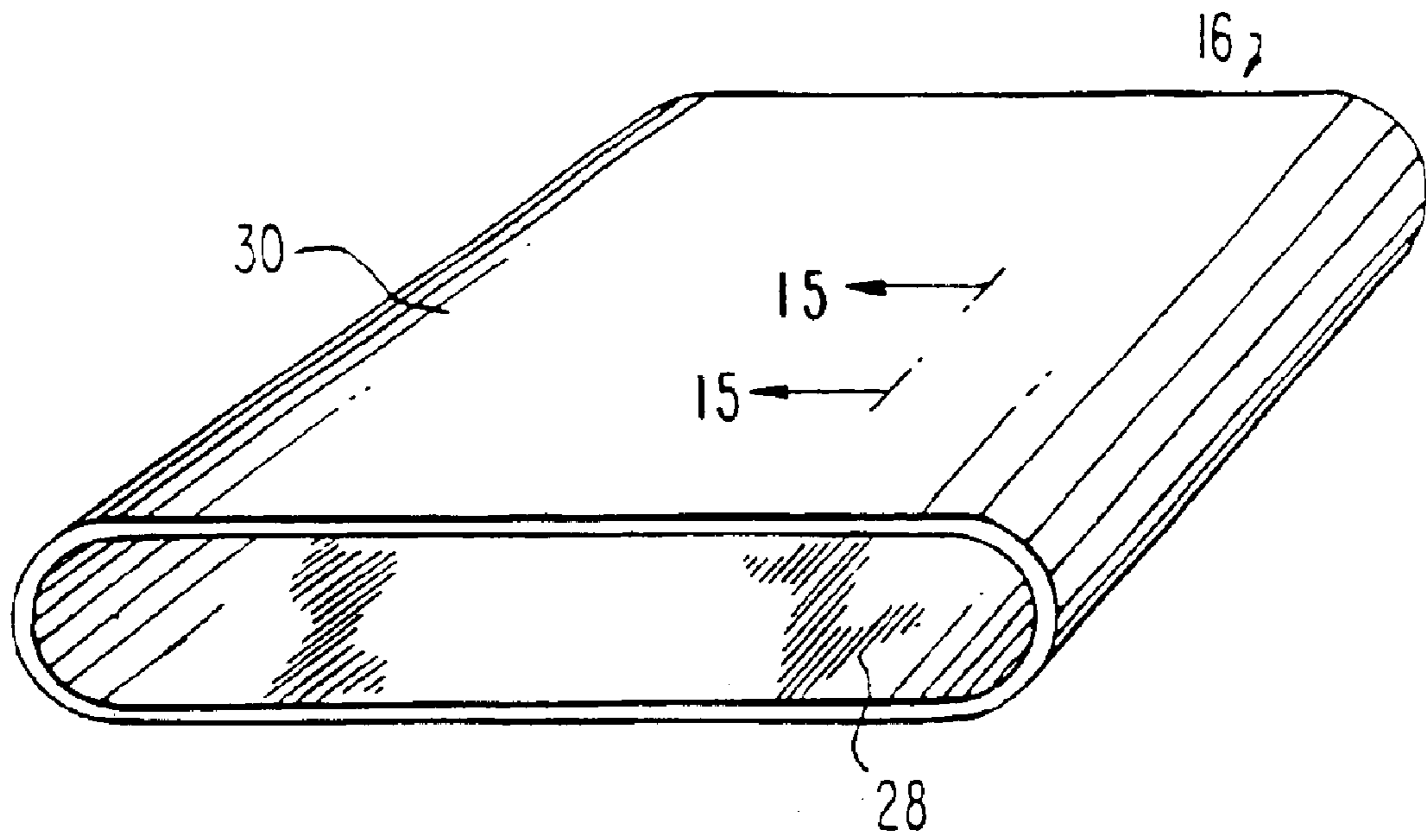


FIG. 2

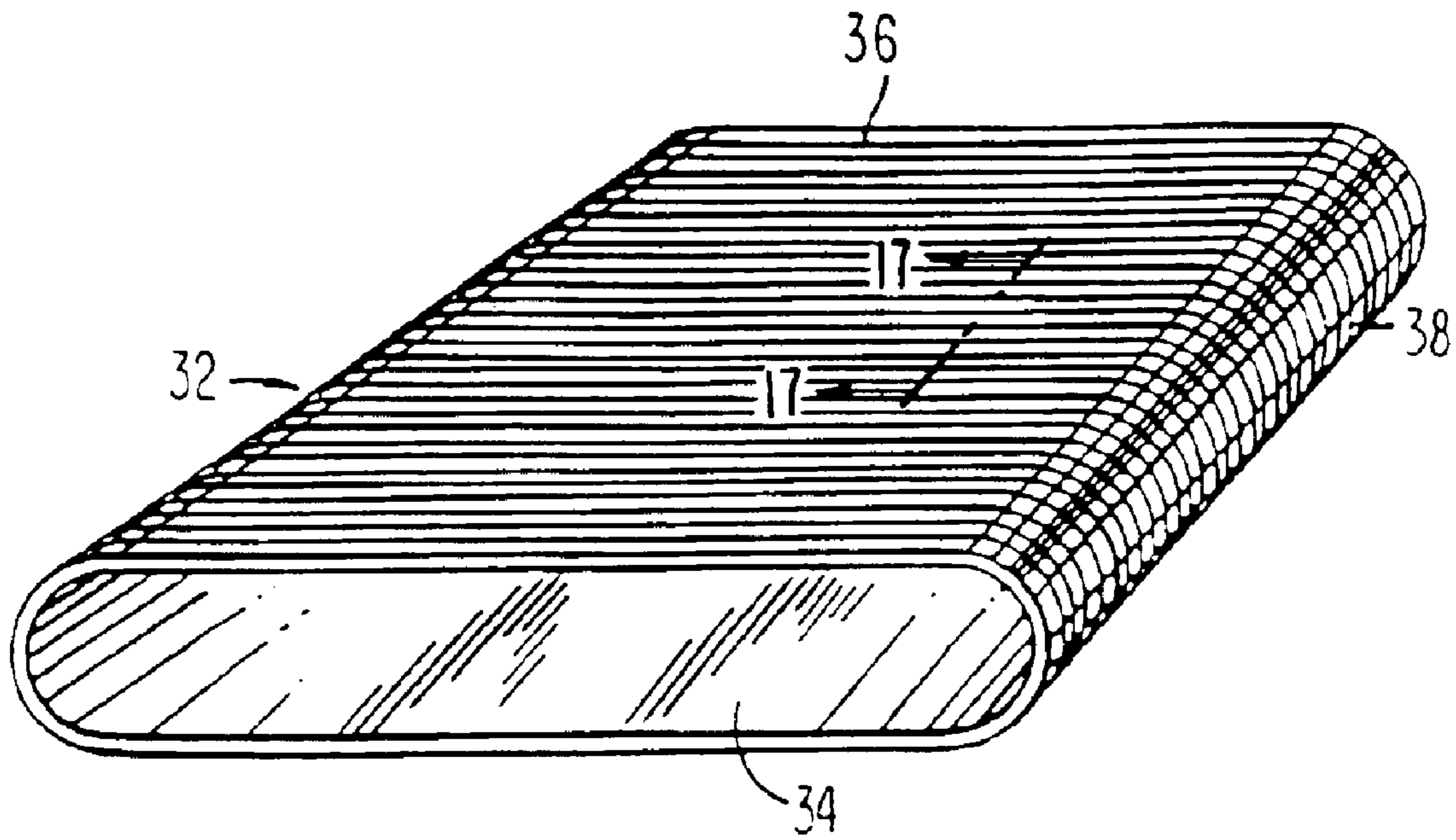
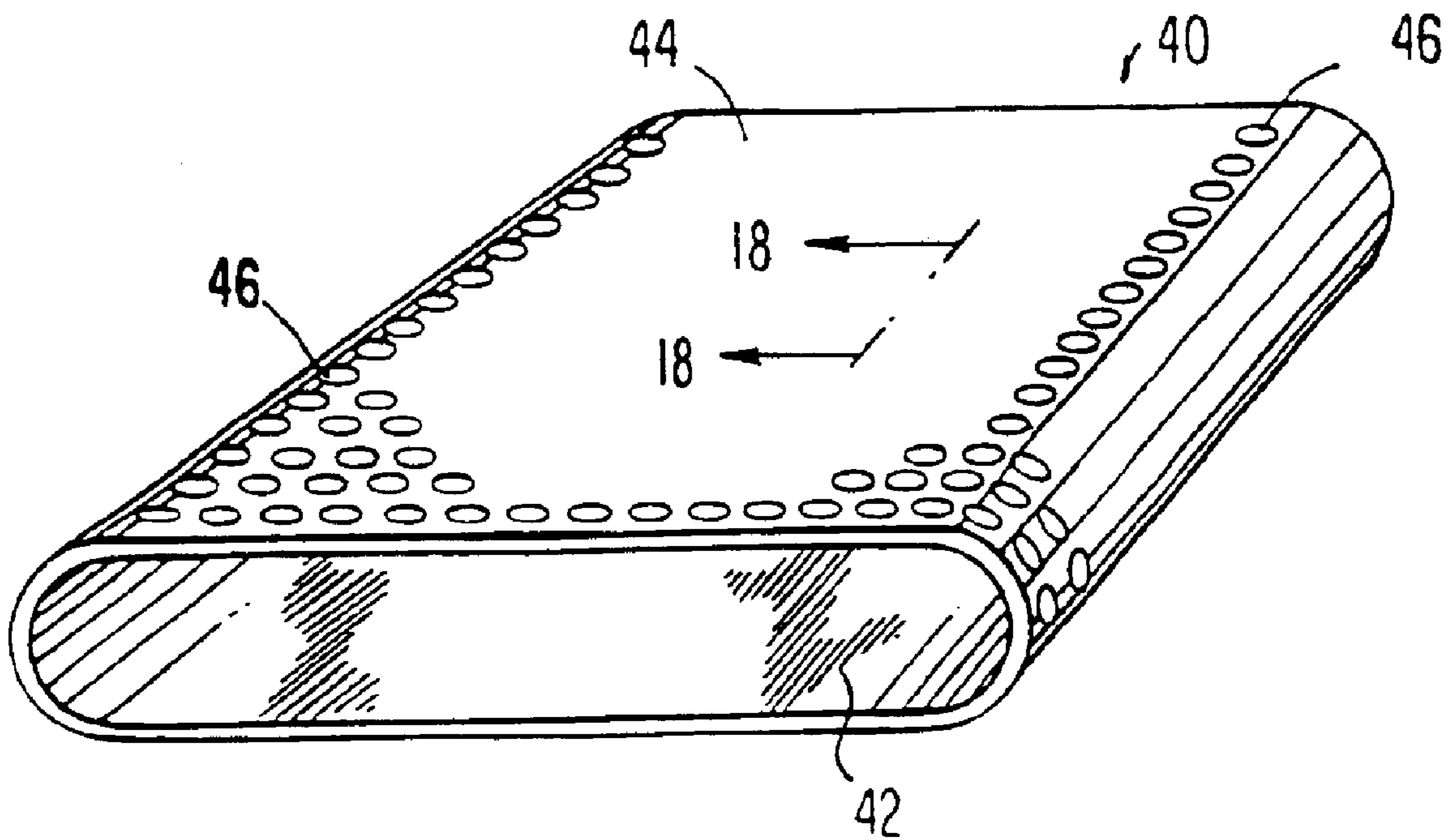


FIG. 3



**FIG. 4**



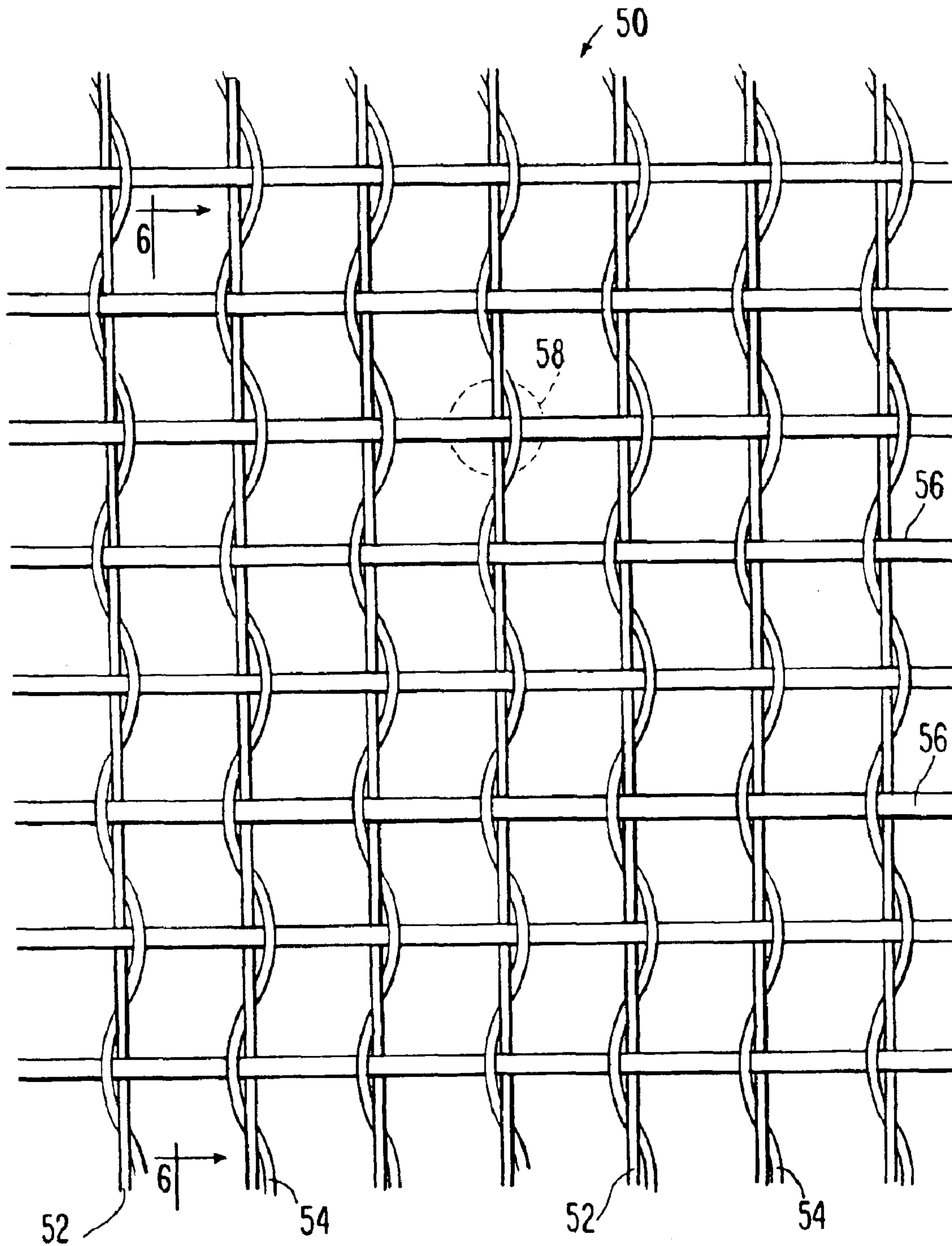


FIG. 5

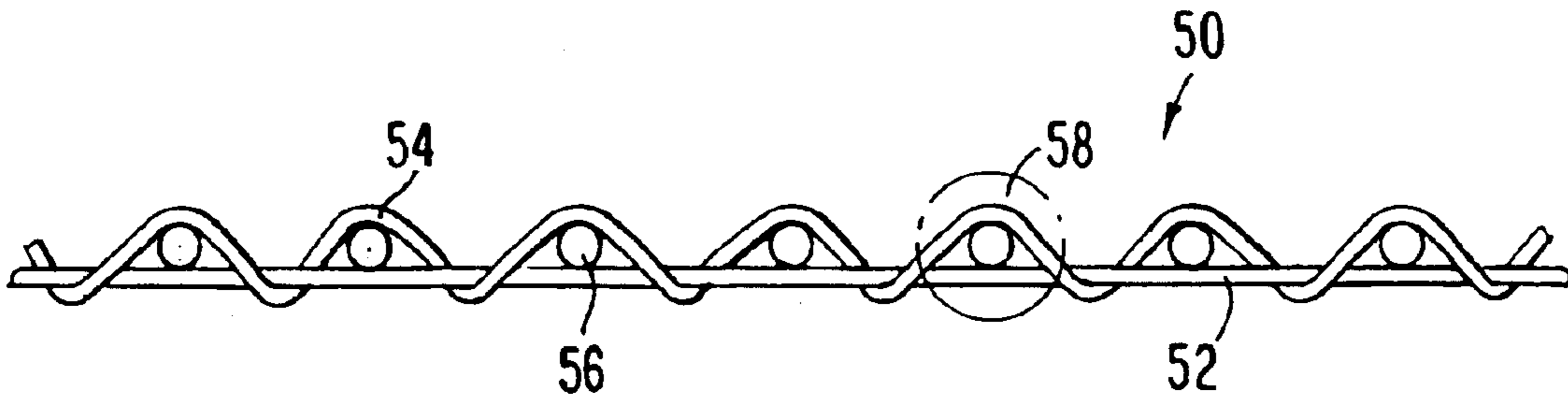


FIG. 6

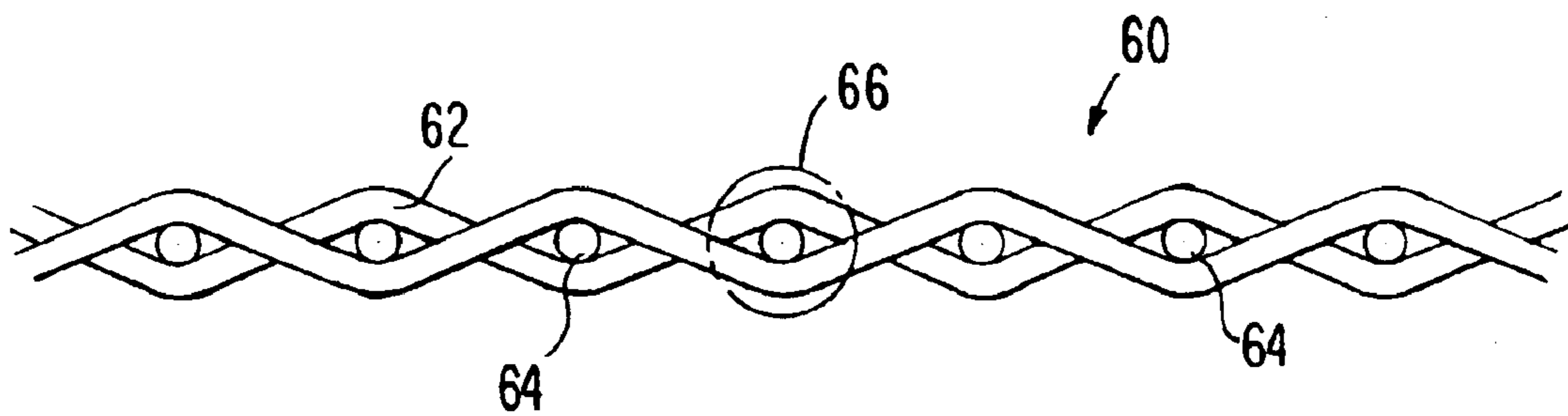
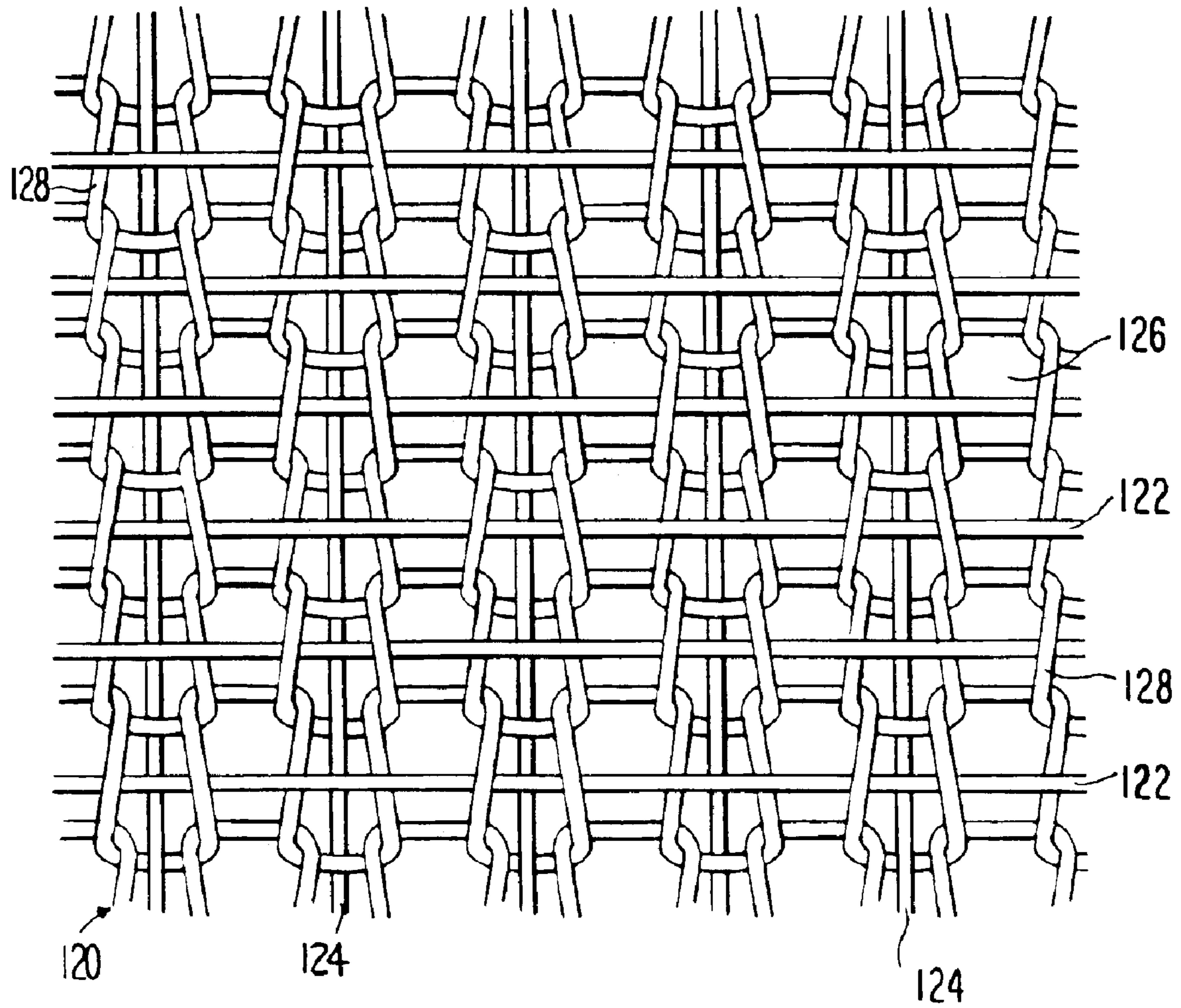
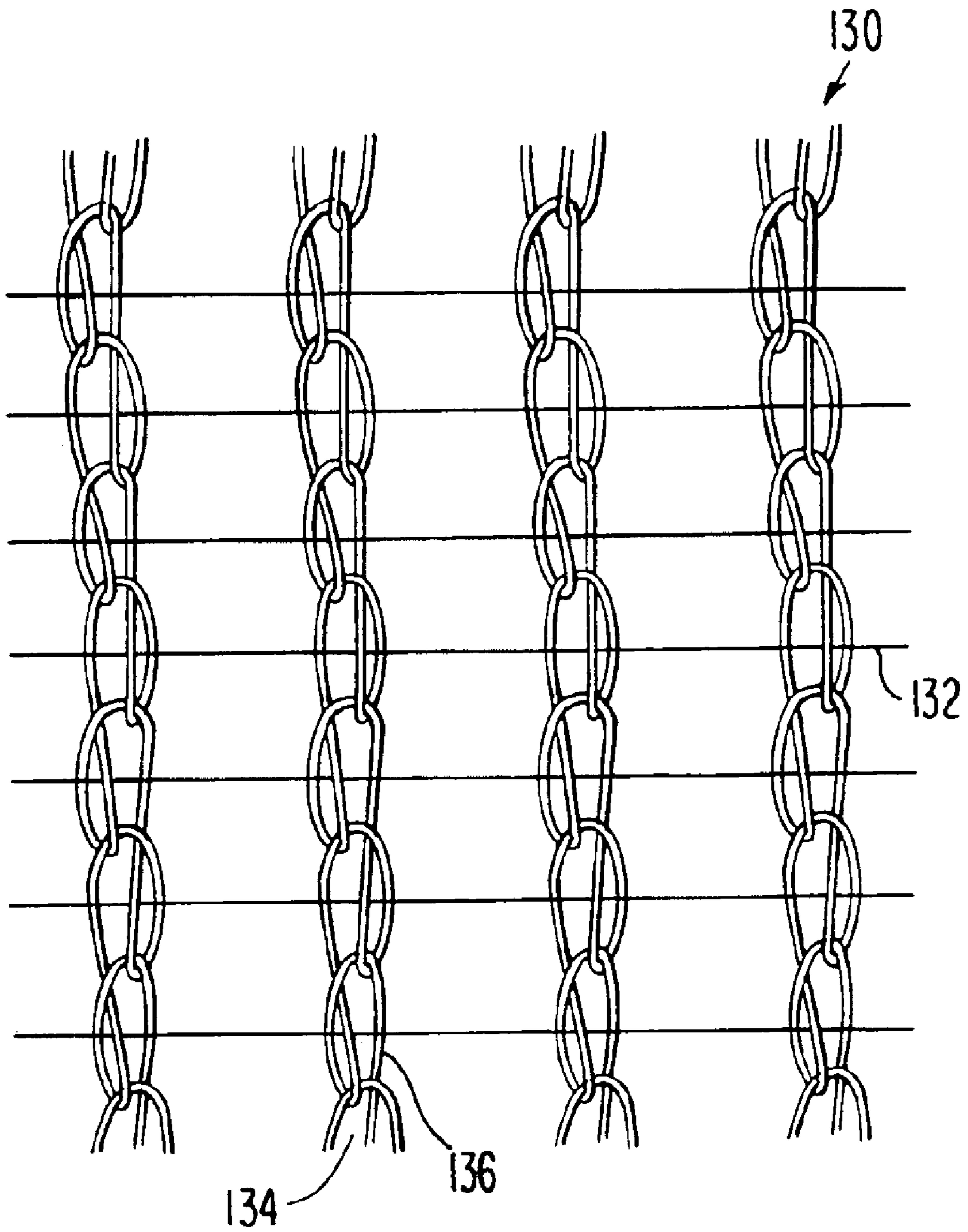


FIG. 9

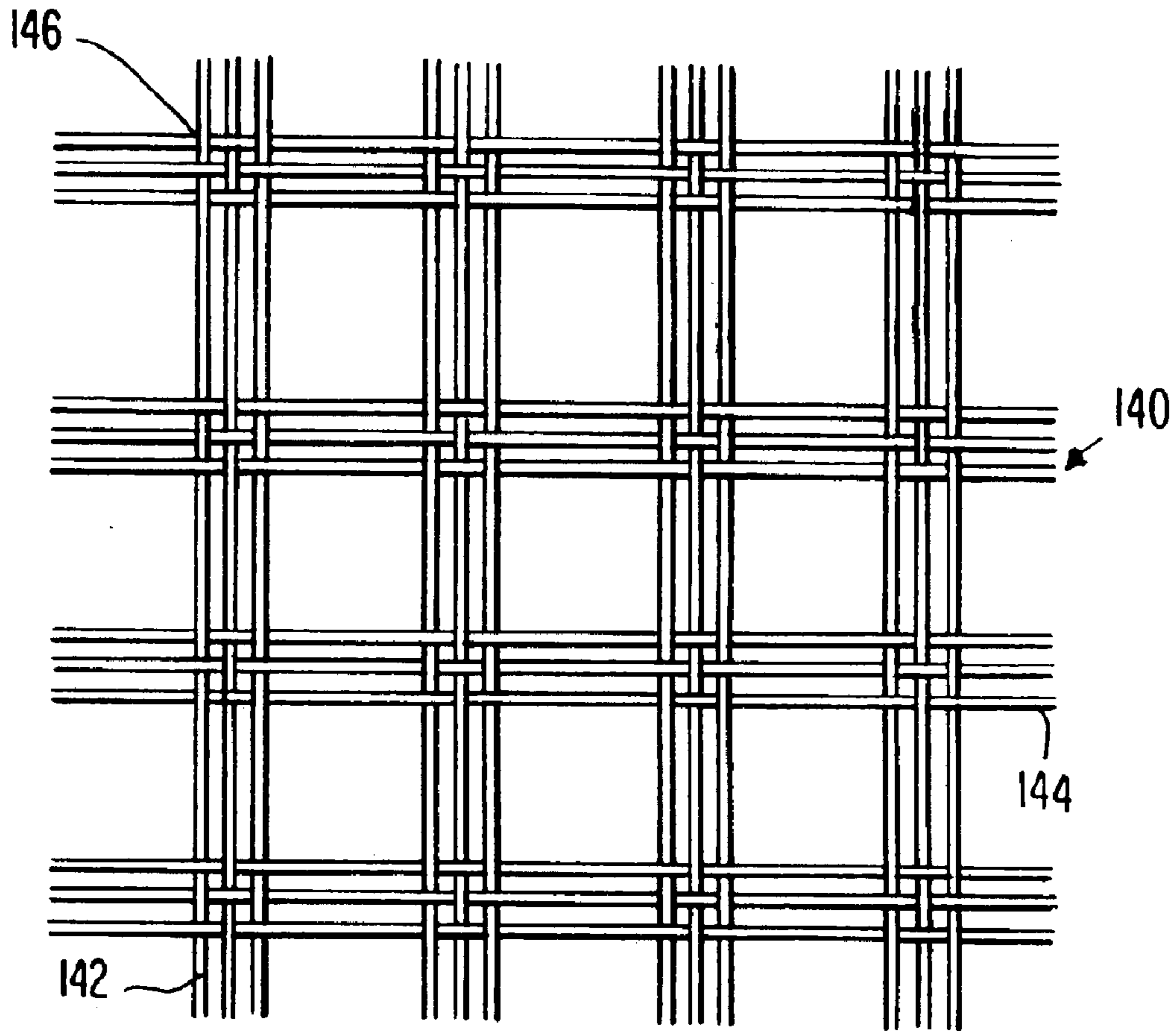


*FIG. 7*

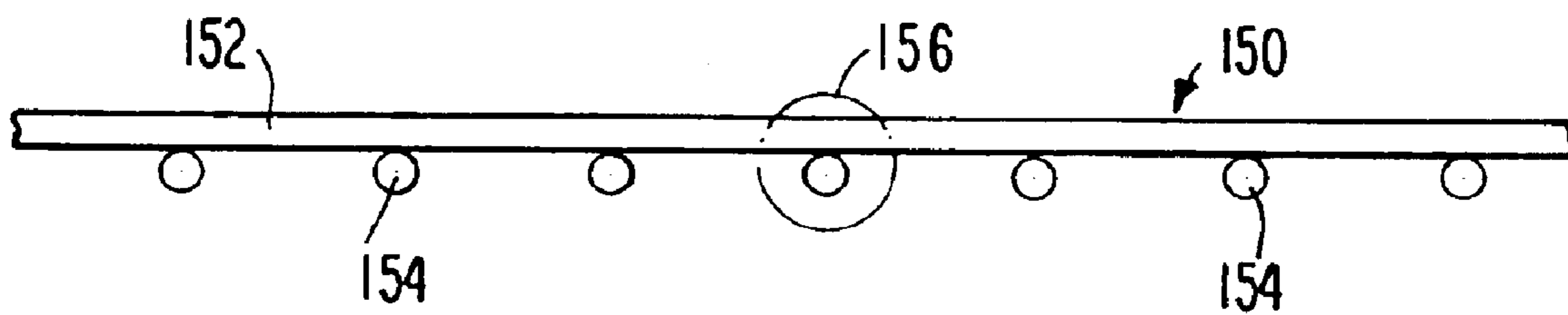


**FIG. 8**





**FIG. 10**



**FIG. 11**

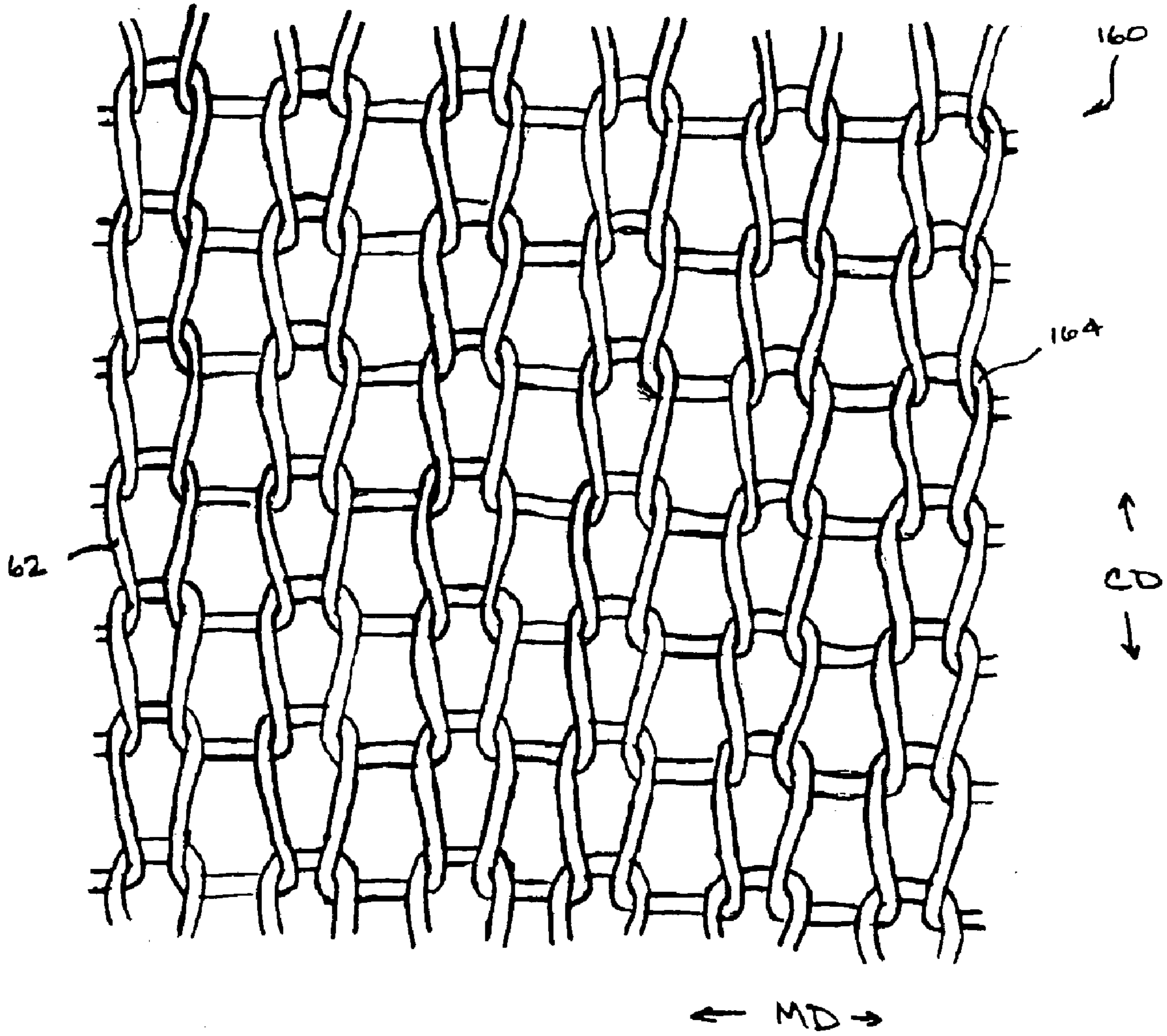
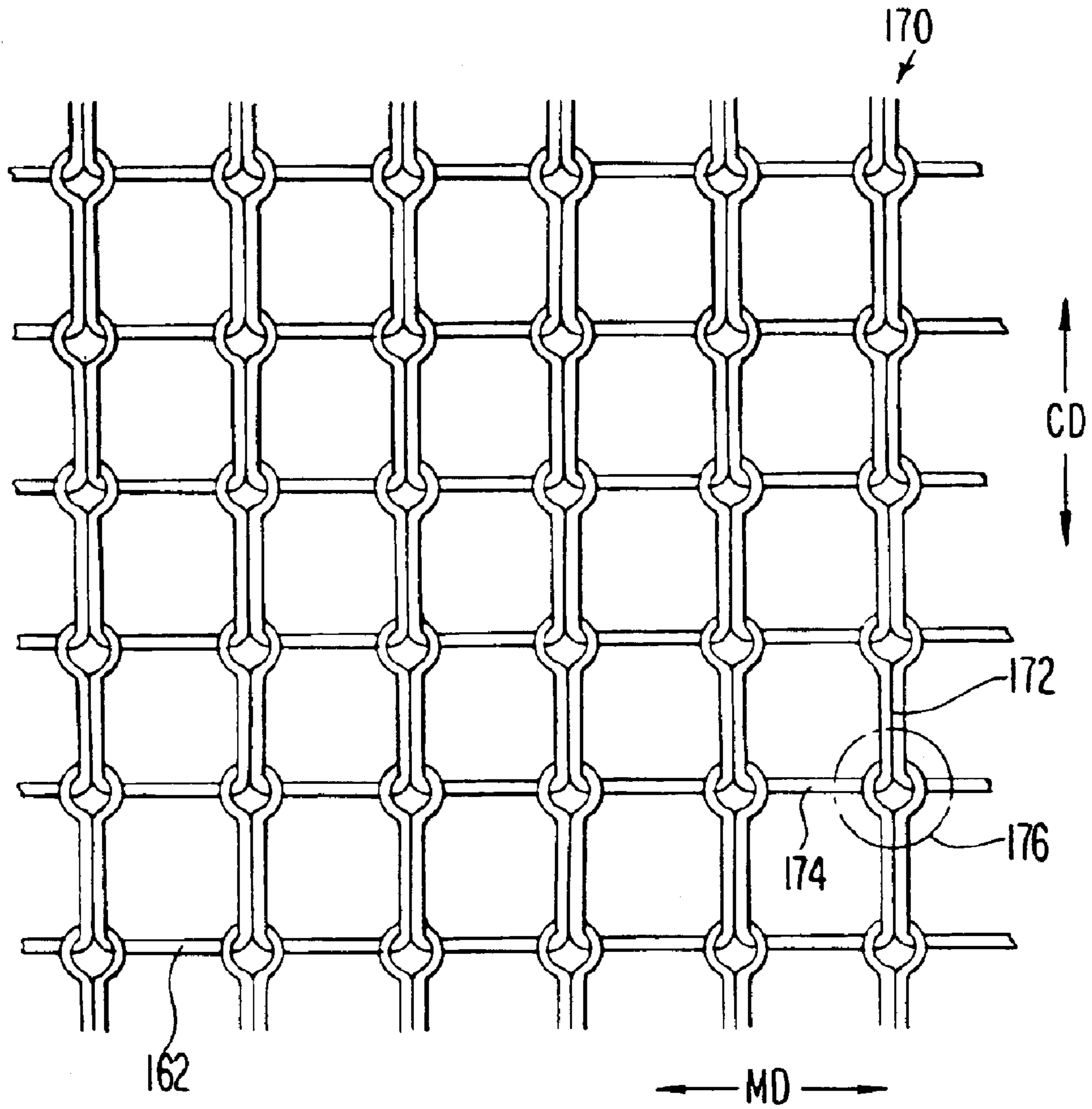


Fig. 12



**FIG.13**

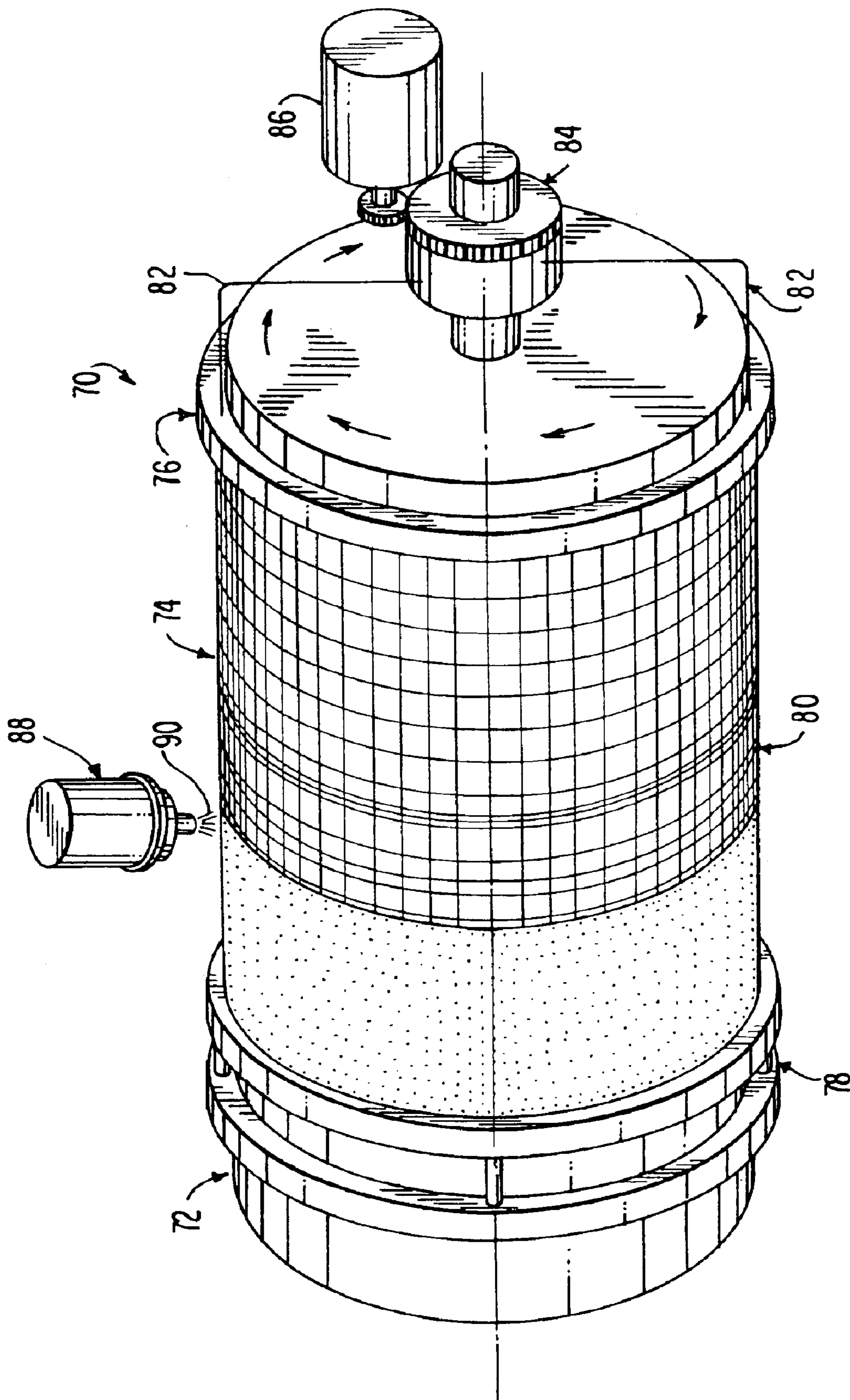


FIG. 14

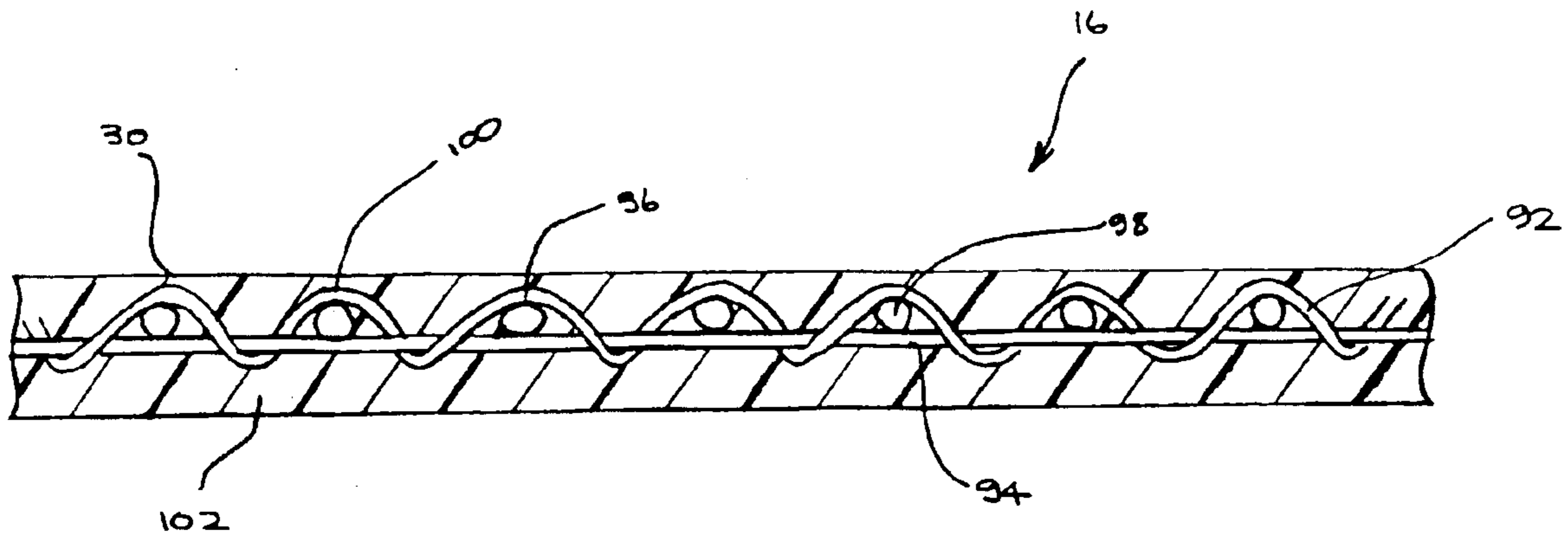


Fig. 15

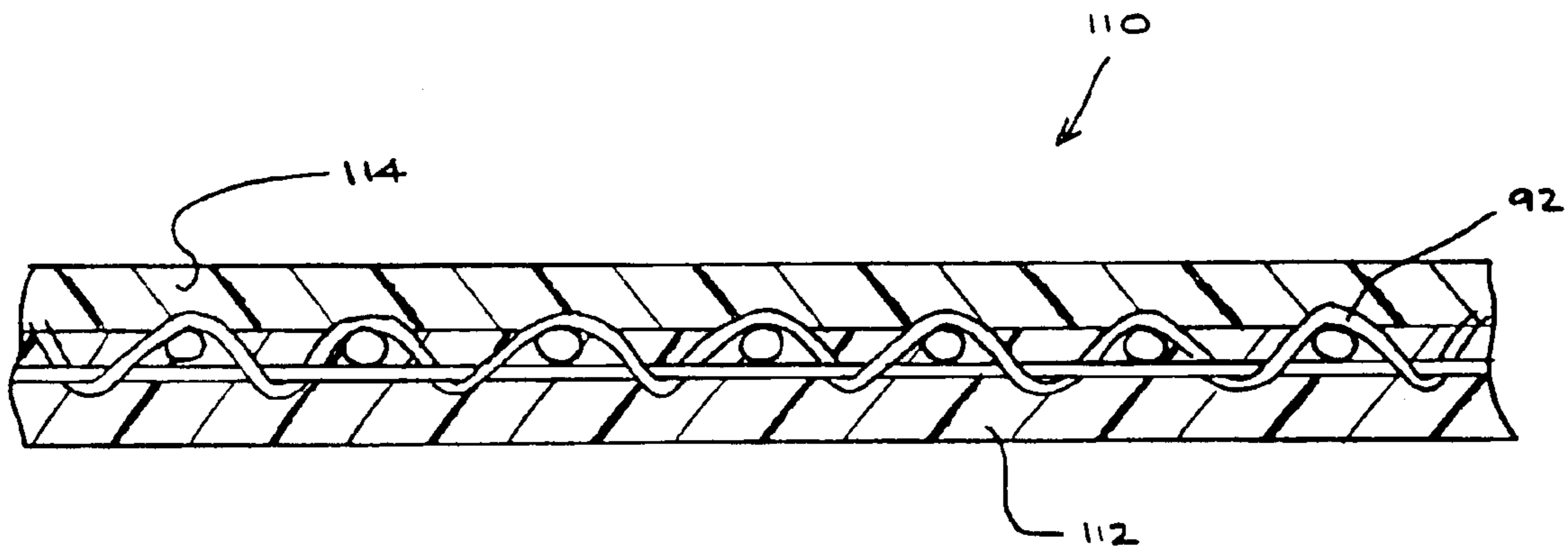


Fig. 16



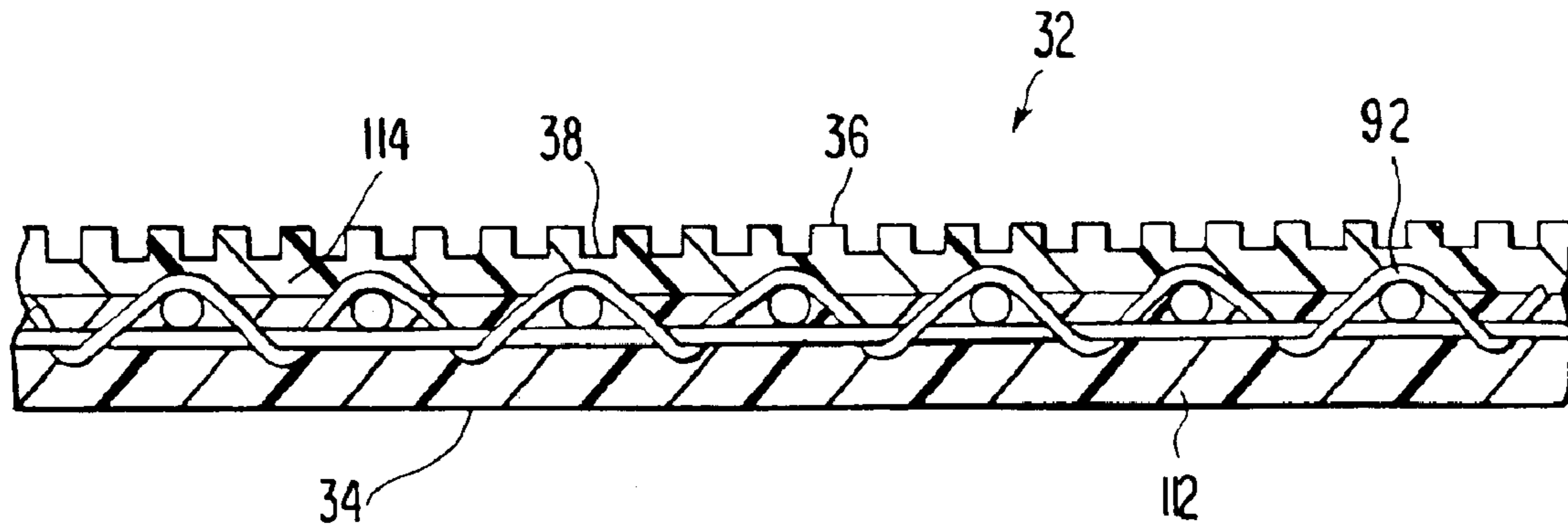


FIG.17

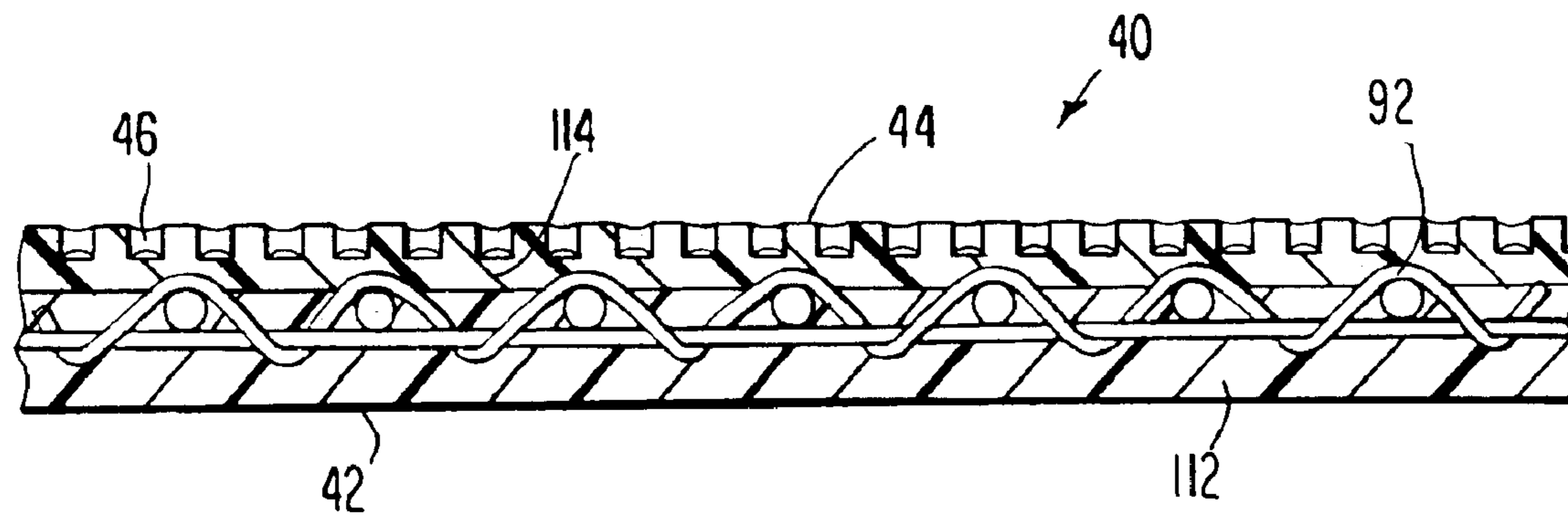


FIG.18

**RESIN-IMPREGNATED BELT FOR  
APPLICATION ON PAPERMAKING  
MACHINES AND IN SIMILAR INDUSTRIAL  
APPLICATION**

**Matter enclosed in heavy brackets [ ] appears in the original patent but forms no part of this reissue specification; matter printed in italics indicates the additions made by reissue.**

BACKGROUND OF THE INVENTION

1. Field of the Invention

The present invention relates to mechanisms for extracting water from a web of material, and, more particularly, from a fibrous web being processed into a paper product on a papermaking machine. Specifically, the present invention is a method for manufacturing resin-impregnated endless belt structures designed for use on a long nip press of the shoe type on a papermaking machine, and for other papermaking and paper-processing applications, and the belt structures manufactured in accordance with the method.

2. Description of the Prior Art

During the papermaking process, a fibrous web of cellulose fibers is formed on a forming wire by depositing a fibrous slurry thereon in the forming section of a papermachine. A large amount of water is drained from the slurry in the forming section, after which the newly formed web is conducted to a press section. The press section includes a series of press nips, in which the fibrous web is subjected to compressive forces applied to remove water therefrom. The web finally is conducted to a drying section which includes heated dryer drums around which the web is directed. The heated dryer drums reduce the water content of the web to a desirable level through evaporation to yield a paper product.

Rising energy costs have made it increasingly desirable to remove as much water as possible from the web prior to its entering the dryer section. As the dryer drums are often heated from within by steam, costs associated with steam production can be substantial, especially when a large amount of water needs to be removed from the web.

Traditionally, press sections have included a series of nips formed by pairs of adjacent cylindrical press rolls. In recent years, the use of long press nips of the shoe type has been found to be more advantageous than the use of nips formed by pairs of adjacent press rolls. This is because the longer the time a web can be subjected to pressure in the nip, the more water can be removed there, and, consequently, the less water will remain behind in the web for removal through evaporation in the dryer section.

The present invention relates to long nip presses of the shoe type. In this variety of long nip press, the nip is formed between a cylindrical press roll and an arcuate pressure shoe. The latter has a cylindrically concave surface having a radius of curvature close to that of the cylindrical press roll. When the roll and shoe are brought into close physical proximity to one another, a nip which can be five to ten times longer in the machine direction than one formed between two press rolls is formed. Since the long nip is five to ten times longer than that in a conventional two-roll press, the so-called dwell time of the fibrous web in the long nip is correspondingly longer under the same level of pressure per square inch in pressing force used in a two-roll press. The result of this new long nip technology has been a dramatic increase in dewatering of the fibrous web in the long nip when compared to conventional nips on paper machines.

A long nip press of the shoe type requires a special belt, such as that shown in U.S. Pat. No. 5,238,537. This belt is designed to protect the press fabric supporting, carrying and dewatering the fibrous web from the accelerated wear that would result from direct, sliding contact over the stationary pressure shoe. Such a belt must be provided with a smooth, impervious surface that rides, or slides, over the stationary shoe on a lubricating film of oil. The belt moves through the nip at roughly the same speed as the press fabric, thereby subjecting the press fabric to minimal amounts of rubbing against the surface of the belt.

Belts of the variety shown in U.S. Pat. No. 5,238,537 are made by impregnating a woven base fabric, which takes the form of an endless loop, with a synthetic polymeric resin. Preferably, the resin forms a coating of some predetermined thickness on at least the inner surface of the belt, so that the yarns from which the base fabric is woven may be protected from direct contact with the arcuate pressure shoe component of the long nip press. It is specifically this coating which must have a smooth, impervious surface to slide readily over the lubricated shoe and to prevent any of the lubricating oil from penetrating the structure of the belt to contaminate the press fabric, or fabrics, and fibrous web.

The base fabric of the belt shown in U.S. Pat. No. 5,238,537 may be woven from monofilament yarns in a single- or multi-layer weave, and is woven so as to be sufficiently open to allow the impregnating material to totally impregnate the weave. This eliminates the possibility of any voids forming in the final belt. Such voids may allow the lubrication used between the belt and shoe to pass through the belt and contaminate the press fabric or fabrics and fibrous web. The base fabric may be flat-woven, and subsequently seamed into endless form, or woven endless in tubular form.

When the impregnating material is cured to a solid condition, it is primarily bound to the base fabric by a mechanical interlock, wherein the cured impregnating material surrounds the yarns of the base fabric. In addition, there may be some chemical bonding or adhesion between the cured impregnating material and the material of the yarns of the base fabric.

Long nip press belts, such as that shown in U.S. Pat. No. 5,238,537, depending on the size requirements of the long nip presses on which they are installed, have lengths from roughly 13 to 35 feet (approximately 4 to 11 meters), measured longitudinally around their endless-loop forms, and widths from roughly 100 to 450 inches (approximately 250 to 1125 centimeters), measured transversely across those forms.

It will be recognized that the length dimensions of the long nip press belts given above include those for belts for both open- and closed-loop presses. Long nip press belts for open-loop presses generally have lengths in the range from 25 to 35 feet (approximately 7.6 to 11 meters). The lengths (circumferences) of long nip press belts for some of the current closed-loop presses are set forth in the following table:

Manufacturer	Type	Belt Diameter (mm)	Length (mm) (Circumf.)
Valmet	Symbelt Press	1425	4477
	Symbelt Press	1795	5639
	Symbelt Press	1995	6268
Voith	Flex-O-Nip	1270	3990
	Flex-O-Nip	1500	4712
	Nip-Co-Flex	1270	3990



-continued

Manufacturer	Type	Belt Diameter (mm)	Length (mm) (Circumf.)
Beloit	Nip-Co-Flex	1500	4712
	Intessa-S	1270	3990
	Intessa-S	1550	4869
	ENP-C	1511 (59.5 inch)	4748
	ENP-C	2032 (80 inch)	6834

It will be appreciated that the manufacture of such belts is complicated by the requirement that the base fabric be endless prior to its impregnation with a synthetic polymeric resin.

Nevertheless, belts of this variety have been successfully manufactured for some years. However, two lingering problems remain in the manufacturing process.

Firstly, it remains difficult to remove all of the air from the base fabric during the impregnation and coating process. As implied above, air remaining in the woven structure of the base fabric manifests itself as voids in the final belt product. Such voids may allow the lubrication used between the belt and the arcuate pressure shoe to pass through the belt and contaminate the press fabric or fabrics and fibrous web. As a consequence, it is important to get all air out of the base fabric to achieve its complete impregnation by the synthetic polymeric resin being used.

Secondly, it remains difficult to provide the inner surface of the belt with a layer of synthetic polymeric resin without inverting the belt (turning it inside out) at some point during the manufacturing process. It will be appreciated that belts of the dimensions given above are not readily turned inside out, and that the act of doing so places a great strain on the impregnating and coating material, often leaving weak spots which may develop into full-fledged holes through the belt. Accordingly, the widely used technique of providing a layer of polymeric resin material on the outside of the belt, and inverting of the belt to place the layer on the inside, has not yielded consistently satisfactory results.

The present invention provides a solution to these problems, which characterize prior-art methods for manufacturing resin-impregnated endless belt structures, by including the use of an endless base fabric having a more open structure than those of the prior art to decrease the likelihood that air will be trapped therewithin, and by providing a layer of the polymeric resin material on the inner surface of the belt without having to turn the belt inside out at any time during the manufacturing process.

#### SUMMARY OF THE INVENTION

Accordingly, the object of the present invention is to provide a method for manufacturing a resin-impregnated endless belt, and the resulting belt product, for use in the papermaking process or in other industrial applications where an endless belt, impermeable to water, oil and other fluids, and having at least one smooth uniform side, a uniform thickness, abrasion resistance and required hardness characteristics, is desirable.

One such application is as a belt used on long nip presses of the shoe type on paper machines. For this application, the belt needs to be smooth and impervious to oil on the side that rides on the lubricating oil film on the shoe, which forms one side of the nip. The side away from the shoe can be smooth

or can be provided with void volume, in the form of grooves or blind-drilled holes, into which water expressed from a paper web in the nip can pass.

A second such application is as a belt used for the calendering of paper either in a roll nip or in a long shoe-type nip. Such a belt is required to be smooth on both sides, impermeable to oil (when used in a calender having a long shoe-type nip), of uniform thickness, and having the hardnesses required for each side.

In its broadest form, the present resin-impregnated endless belt comprises a base fabric in the form of an endless loop with an inner surface, an outer surface, a machine direction and a cross-machine direction. The base fabric has machine-direction (MD) structural elements and cross-machine-direction (CD) structural elements, wherein at least some of the MD structural elements are spaced apart from one another by a distance in the range from 0.0625 inch to 0.5 inch (0.16 cm to 1.27 cm), and wherein at least some of the CD structural elements are spaced apart from one another by a distance in the range from 0.0625 inch to 0.5 inch (0.16 cm to 1.27 cm). The MD structural elements cross or are interwoven with the CD structural elements at a plurality of crossing points, where the MD structural elements and the CD structural elements are joined to one another. The joining may be by mechanical, chemical or thermobonding means.

The belt further comprises a coating of a first polymeric resin on the inner surface of the base fabric. The coating impregnates and renders the base fabric impermeable to liquids, and forms a layer on the inner surface thereof. The coating is smooth and provides the belt with a uniform thickness. The resin impregnate fills the space on the inside of the fabric, the voids in the fabric structure, and provides a final layer of resin on the outside of the fabric structure.

The method for manufacturing the present resin-impregnated endless belt requires the use of a smooth, polished cylindrical mandrel, which is rotatable about its longitudinal axis. The mandrel is disposed so that its longitudinal axis is oriented in a horizontal direction.

A spacer ring having an inside diameter equal to the diameter of the cylindrical mandrel is disposed on and is slidable along the cylindrical mandrel. The spacer ring has a thickness, measured radially, equal to that desired for the layer of polymeric resin to be formed on the inside surface of the base fabric.

The spacer ring, it follows, has an outside diameter equal to that of the base fabric described above which is placed in sleeve-like fashion over the mandrel and spacer ring. The base fabric is then placed under tension in the longitudinal direction of the cylindrical mandrel by suitable means.

The spacer ring is then moved to one end of the base fabric on the cylindrical mandrel, and the mandrel is rotated about its horizontally oriented longitudinal axis. Starting next to the spacer ring, a first polymeric resin is dispensed onto and through the base fabric in the form of a stream from a dispenser.

The spacer ring and dispenser are moved longitudinally along the rotating cylindrical mandrel, the spacer ring moving ahead of the dispenser, at a constant rate, so that the first polymeric resin will be applied onto the base fabric in the form of a spiral of preselected thickness. The spacer ring ensures that a layer of desired thickness is provided on the inside surface of the base fabric, while the base fabric is so impregnated.

The first polymeric resin cures by crosslinking as the coating process proceeds across the base fabric. After



5

completion of the resin application, the outer surface of the belt may be finished to a smooth surface or to a surface containing void volume.

The present method may be used to manufacture resin-impregnated belt structures for use in all phases of the papermaking industry. That is to say, that endless belt structures may be used as roll covers, and calender belts, as well as on long nip presses of the shoe type.

The several embodiments of the present invention will now be described in more complete detail. In the description, frequent reference will be made to the drawing figures identified immediately below.

#### BRIEF DESCRIPTION OF THE DRAWINGS

FIG. 1 is a side cross-sectional view of a long nip press;

FIG. 2 is a perspective view of a belt made in accordance with the method of the present invention;

FIG. 3 is a perspective view of an alternate embodiment of the belt;

FIG. 4 is a perspective view of another embodiment of the belt;

FIG. 5 is a plan view of a base fabric, woven using the Leno principle, for the belt of the present invention;

FIG. 6 is a cross-sectional view taken as indicated by line 6—6 in FIG. 5;

FIG. 7 is a plan view of a knitted base fabric for the present invention;

FIG. 8 is a plan view of another knitted base fabric for the present invention;

FIG. 9 is a cross-sectional view of a base fabric, woven in a plain weave, for the present invention;

FIG. 10 is a plan view of another woven base fabric for the present invention;

FIG. 11 is a cross-sectional view of a non-woven base fabric for the present invention;

FIG. 12 is a plan view of a knitted precursor for a base fabric for the present invention;

FIG. 13 is a plan view of a stretched and bonded knitted base fabric made from the precursor shown in FIG. 12;

FIG. 14 is a perspective view of the apparatus used to manufacture the belts of the present invention;

FIG. 15 is a cross-sectional view of the belt embodiment shown in FIG. 2, taken as indicated by line 15—15 in that figure;

FIG. 16 is a cross-sectional view, analogous to that given in FIG. 15, for a belt having a coating on both sides;

FIG. 17 is a cross-sectional view of the belt embodiment shown in FIG. 3, taken as indicated by line 17—17 in that figure; and

FIG. 18 is a cross-sectional view of the belt embodiment shown in FIG. 4, taken as indicated by line 18—18 in that figure.

#### DETAILED DESCRIPTION OF THE PREFERRED EMBODIMENTS

A long nip press for dewatering a fibrous web being processed into a paper product on a paper machine is shown in a side cross-sectional view in FIG. 1. The press nip 10 is defined by a smooth cylindrical press roll 12 and an arcuate pressure shoe 14. The arcuate pressure shoe 14 has about the same radius of curvature as the cylindrical press roll 12. The distance between the cylindrical press roll 12 and the arcuate pressure shoe 14 may be adjusted by hydraulic means

6

operatively attached to arcuate pressure shoe 14 to control the loading of the nip 10. Smooth cylindrical press roll 12 may be a controlled crown roll matched to the arcuate pressure shoe 14 to obtain a level cross-machine nip profile.

Endless belt structure 16 extends in a closed loop through nip 10, separating press roll 12 from arcuate pressure shoe 14. A wet press fabric 18 and a fibrous web 20 being processed into a paper sheet pass together through nip 10 as indicated by the arrows in FIG. 1. Fibrous web 20 is supported by wet press fabric 18 and comes into direct contact with smooth cylindrical press roll 12 in nip 10. Fibrous web 20 and wet press fabric 18 proceed through the nip 10 as indicated by the arrows.

Alternatively, fibrous web 20 may proceed through the nip 10 between two wet press fabrics 18. In such a situation, the press roll 12 may be either smooth or provided with void-volume means, such as grooves or blind-drilled holes. Similarly, the side of endless belt structure 16 facing the wet press fabrics 18 may also be smooth or provided with void-volume means.

In any event, endless belt structure 16, also moving through press nip 10 as indicated by the arrows, that is, counter-clockwise as depicted in FIG. 1, protects wet press fabric 18 from direct sliding contact against arcuate pressure shoe 14, and slides thereover on a lubricating film of oil. Endless belt structure 16, accordingly, must be impermeable to oil, so that wet press fabric 18 and fibrous web 20 will not be contaminated thereby.

A perspective view of belt 16 is provided in FIG. 2. The belt 16 has an inner surface 28 and an outer surface 30. The outer surface 30 is finished to a smooth surface.

FIG. 3 is a perspective view of an alternate embodiment of the belt 32. The belt 32 has an inner surface 34 and an outer surface 36. The outer surface 36 is provided with a plurality of grooves 38, for example, in the longitudinal direction around the belt 32 for the temporary storage of water pressed from fibrous web 20 in press nip 10.

Alternatively, the outer surface of the belt may be provided with a plurality of blind-drilled holes arranged in some desired geometric pattern for the temporary storage of water. FIG. 4 is a perspective view of such an alternate embodiment of the belt 40. The belt 40 has an inner surface 42 and an outer surface 44. The outer surface 44 is provided with a plurality of blind-drilled holes 46, so called because they do not extend completely through the belt 40. Moreover, the blind-drilled holes 46 could also be connected to one another by grooves.

The belt of the present invention includes a base fabric having machine-direction (MD) and cross-machine-direction (CD) structural elements and having a much higher open area than that characterizing the base fabrics of the prior art. Because the base fabric has such a high open area, it cannot be produced using conventional techniques alone, which tend to leave a high-open-area fabric sleazy, dimensionally unstable, and readily distorted. In the present invention, the base fabric has an open structure in which the MD and CD structural elements are joined to one another at their crossing points by mechanical, chemical or thermal means.

In one embodiment of the present invention, the base fabric is woven in an endless leno weave. A plan view of such a base fabric 50 is shown in FIG. 5. Base fabric 50 is woven from warp yarns 52,54 and weft yarns 56. Warp yarns 52,54 twist one around the other between picks of weft yarn 56. Warp yarns 52 remain on one side of weft yarns 56, and are referred to as the ground threads. Warp yarns 54 wrap



over the other side of weft yarns **56** at each crossing point **58**, but wrap under warp yarns **52** between crossing points **58** to mechanically lock the weft yarns **56** in position. Warp yarns **54** are referred to as doup threads. This manner of weaving gives firmness and strength to an open weave and prevents slipping and displacement of the warp and weft yarns.

In an endless leno weave, warp yarns **52,54** are the CD yarns of the endlessly woven base fabric **50**, and the weft yarns **56** are the MD yarns.

FIG. **6** is a cross-sectional view taken as indicated by line **6—6** in FIG. **5** and illustrating how warp yarn **54** wraps under warp yarn **52** after each crossing point **58** to mechanically lock weft yarns **56** in position.

Base fabric **50** may be woven from polyester multifilament yarns. In such a case, each pair of warp yarns **52,54** may have a combined denier of 3000, while the weft yarns **56** may themselves have a denier of 3000. In general, the selection of the yarn denier is dependent upon the final MD and CD strength required for the belt to perform in the final application. The spacing between each pair of warp yarns **52,54** may be in the range from 0.0625 inch to 0.5 inch (0.16 cm to 1.27 cm), and the spacing between each of the weft yarns **56** may also be in the range from 0.0625 inch to 0.5 inch (0.16 cm to 1.27 cm). As is well known to those of ordinary skill in the art, base fabric **50** may be woven from other types of yarns, such as monofilament and plied monofilament yarns, extruded from other synthetic polymeric resins, such as polyamide resins.

In another embodiment of the present invention, the base fabric is knitted by a circular or flat-bed knitting process in the form of an endless loop. A plan view of such a base fabric **120** is shown in FIG. **7**. During the knitting process, MD yarns **122** and CD yarns **124** are laid into the knitted structure **126** formed by yarn **128**, and interweave with the loops formed by yarn **128**, but not with each other. The knitted structure **126** mechanically locks the MD yarns **122** and CD yarns **124** together.

Base fabric **120** may be produced from polyester multifilament yarns. In such a case, MD yarns **122** and CD yarns **124** may each have a denier of 3000, and yarns **128** forming knitted structure **126** may also have a denier of 3000. The spacing between MD yarns **122** may be in the range from 0.0625 inch to 0.5 inch (0.16 cm to 1.27 cm), and the spacing between CD yarns **124** may also be in the range from 0.0625 inch to 0.5 inch (0.16 cm to 1.27 cm). As is well known to those of ordinary skill in the art, base fabric **120** may be produced from other types of yarns, such as monofilament and plied monofilament yarns, extruded from other synthetic polymeric resins, such as polyamide resins.

In still another embodiment of the present invention, the base fabric is knitted by a Raschel knitting process in the form of an endless loop. A plan view of such a base fabric **130** is shown in FIG. **8**. During the knitting process, MD yarns **132** are laid into the Rachel-knitted CD yarns **134** formed by knitting strand **136**. MD yarns **132** and CD yarns **134** are mechanically locked together by the Raschel-knitted structure of CD yarns **134**.

Base fabric **130** may be produced from polyester multifilament yarns. In such a case, MD yarns **132** and strands **136** may each have a denier of 3000. The spacing between MD yarns **132** may be in the range from 0.0625 inch to 0.5 inch (0.16 cm to 1.27 cm), and the spacing between CD yarns **134** may also be in the range from 0.0625 inch to 0.5 inch (0.16 cm to 1.27 cm). As is well known to those of ordinary skill in the art, base fabric **130** may be produced

from other types of yarns, such as monofilament and plied monofilament yarns, extruded from other synthetic polymeric resins, such as polyamide resins.

In an alternate embodiment of the present invention, the base fabric is woven in a plain weave. FIG. **9** is a cross-sectional view of such a base fabric **60**, which may either be flat-woven, and subsequently seamed into endless form, or woven endless. In the former case, warp yarns **62** are in the machine direction of the base fabric **60**, and weft yarns **64** are in the cross-machine direction. In the latter situation, warp yarns **62** are in the cross-machine direction, and weft yarns **64** are in the machine direction.

Again, base fabric **60** may be woven from polyester multifilament yarns. Warp yarns **62** and weft yarns **64** may each be polyester multifilament yarns of about 3000 denier coated with a thermoplastic resin material. The spacing between adjacent warp threads **62** and between adjacent weft threads **64** may again be in the range from 0.0625 inch to 0.5 inch (0.16 cm to 1.27 cm). Base fabric **60** may also be woven from yarns of other varieties, such as monofilament and plied monofilament yarns, extruded from other synthetic polymeric resins, such as polyamide resins, as is well-known to those of ordinary skill in the art. These other varieties of yarns, too, may be coated with a thermoplastic resin material.

After base fabric **60** is woven, it is exposed to a heat treatment sufficient to soften the thermoplastic resin material coating the warp yarns **62** and the weft yarns **64**, so that they bond to one another at the crossing points **66** to stabilize the weave structure. Alternatively, instead of using yarns coated with a thermoplastic resin material, the base fabric **60** may be woven from uncoated polyester multifilament yarns of about 3000 denier, and, after weaving, coated with a chemical material which bonds the warp yarns **62** to the weft yarns **64** at crossing points **66** to stabilize the weave structure.

For example, base fabric **60** may be woven from warp yarns **62** and weft yarns **64**, which are both plied multifilament yarns comprising bicomponent sheath/core filaments, wherein the sheath and core have two different melting points. Yarns comprising filaments of this type are available from Kanebo under the trademark BELL COUPLE®. The filaments have a polyester core with a melting point in a range from 100° C. to 500° C., and a polyester copolymer sheath with a melting point in a range from 50° C. to 450° C. Filaments having denier in a range from 0.5 to 40 are available. In practice, a 10- or 12-ply version of a 250-denier multifilament yarn including 16 filaments twisted together at a rate of 100 turns/meter (0.39 turns/inch) may be used. The heat treatment would be carried out at a temperature higher than the melting point of the sheath, but below the melting point of the core to thermally bond the warp yarns **62** to the weft yarns **64** at crossing points **66**.

Warp yarns **62** and weft yarns **64** may alternatively be polyester multifilament yarns having a thermoplastic polyurethane coating. Yarns of this type are commonly used as tire cords, for which the polyurethane acts as a tie coat to bond the yarn to the tire material. The heat treatment would then be carried out at a temperature between the melting points of the polyester and the thermoplastic polyurethane, the latter, being the coating, having the lower melting point.

Finally, as noted above, base fabric **60** may be woven from warp yarns **62** and weft yarns **64** which are both uncoated polyester multifilament yarns. After weaving, the base fabric **60** may then be chemically treated with an acrylic, epoxy or other polymeric resin coating material to chemically bond the warp yarns **62** to the weft yarns **64** at crossing points **66**.



In still another embodiment of the present invention, the base fabric is woven in an open weave wherein three yarns weave side-by-side in each direction of the fabric, each such triple being separated from the next in each direction to provide the fabric with a high open area. FIG. 10 is a plan view of such a base fabric 140, which may either be flat-woven, and subsequently seamed into endless form, or woven endless. In the former case, warp yarns 142 are in the machine direction of the base fabric 140, and weft yarns 144 are in the cross-machine direction. In the latter situation, warp yarns 142 are in the cross-machine direction, and weft yarns 144 are in the machine direction. In either case, three warp yarns 142 and three weft yarns 144 weave side-by-side one another, and each said triple of yarns in each direction is separated from the next to provide the fabric with a high open area.

Base fabric 140 may be woven from polyester multifilament yarns. Warp yarns 142 and weft yarns 144 may each be polyester multifilament yarns of about 1000 denier coated with a thermoplastic resin material. The spacing between each triple of warp yarns 142 and weft yarns 144 may again be in the range from 0.0625 inch to 0.5 inch (0.16 cm to 1.27 cm). Base fabric 140 may also be woven from yarns of other varieties, such as monofilament and plied monofilament yarns, extruded from other synthetic polymeric resins, such as polyamide resins, as is well-known to those of ordinary skill in the art. These other varieties of yarns, too, may be coated with a thermoplastic resin material.

After the base fabric 140 is woven, it is exposed to a heat treatment sufficient to soften the thermoplastic resin material coating the warp yarns 142 and the weft yarns 144, so that they bond to one another at the crossing points 146 to stabilize the weave structure. Alternatively, the other methods for stabilizing the weave structure of base fabric 60, discussed above, may be employed to stabilize base fabric 140.

In another embodiment of the present invention, the base fabric is a non-woven fabric. FIG. 11 is a cross-sectional view of such a base fabric 150, which includes MD yarns 152 and CD yarns 154, which are bonded to one another at their crossing points 156. Base fabric 150 is in endless-loop form. MD yarns 152 spiral around the endless-loop form, which CD yarns 154 are disposed thereacross and are bonded to MD yarns 152 at crossing points 156.

Base fabric 150 may be assembled from polyester multifilament yarns. MD yarns 152 and CD yarns 154 may each be polyester multifilament yarns of about 3000 denier coated with a thermoplastic resin material. The spacing between MD yarns 152 and between CD yarns 154 may again be in the range from 0.0625 inch to 0.5 inch (0.16 cm to 1.27 cm). Base fabric 150 may also be assembled from yarns of other varieties, such as monofilament and plied monofilament yarns, extruded from other synthetic polymeric resins, such as polyamide resins, as is well-known to those of ordinary skill in the art. These other varieties of yarns, too, may be coated with a thermoplastic resin material.

As base fabric 150 is being assembled, it is exposed to a heat treatment sufficient to soften the thermoplastic resin material coating the MD yarns 152 and CD yarns 154 to bond them together at their crossing points 156. Alternatively, the other methods for stabilizing the weave structure of base fabric 60, discussed above, may be employed to bond MD yarns 152 to CD yarns 154 at their crossing points 156.

In yet another embodiment of the present invention, the base fabric is a knitted fabric that is bonded after having

been stretched as far as possible in its machine and cross-machine directions. FIG. 12 is a plan view of a precursor 160 for a knitted base fabric prior to being stretched and bonded.

Precursor 160 is knitted by a circular or flat-bed knitting process in the form of an endless loop. The machine and cross-machine directions, MD and CD, respectively, are as indicated in the figure.

Precursor 160 may be knitted from a polyester multifilament yarn 162. The yarn 162 may have a denier of 3000 and a coating of a thermoplastic resin material. As is well-known to those of ordinary skill in the art, precursor 160 may be produced from other types of yarns, such as monofilament and plied monofilament yarns, extruded from other synthetic polymeric resins, such as polyamide resins. These other varieties of yarns, too, may be coated with a thermoplastic resin material.

Once the precursor 160 has been completely knitted, it is stretched as far as possible in both the machine and cross-machine directions. When this is done, loops 164 completely close, and the precursor 160 takes the form of base fabric 170, shown in plan view in FIG. 13. While held in such a configuration, base fabric 170 is exposed to a heat treatment sufficient to soften the thermoplastic resin material coating the yarn 162, so that the sections 172 oriented in the cross-machine direction bond to one another, and the sections 174 oriented in the machine direction bond to the sections 172 oriented in the cross-machine direction at crossing points 176, thereby stabilizing the structure of base fabric 170. Alternatively, the other methods for stabilizing the weave structure of base fabric 60, discussed above, may be employed to stabilize base fabric 170.

Sections 172, oriented in the cross-machine direction, and sections 174, oriented in the machine direction, are separated from one another by amounts in the range from 0.0625 inch to 0.5 inch (0.16 cm to 1.27 cm).

In any event, the exact materials and sizes of the yarns in the structure of any of the base fabrics described above may be varied to meet the mechanical requirements of the application for which the belt of the invention is intended. In addition, the yarns of the base fabrics may be coated with a polymeric resin having a chemical affinity for that to be used to impregnate the base fabrics to act as a tie coat between the impregnating resin and the base fabrics and to which the impregnating resin will chemically bond.

FIG. 14 is a perspective view of the apparatus used to manufacture the belts of the present invention. The apparatus 70 comprises a cylindrical process roll or mandrel 72 having a smooth and polished surface. Preferably, the surface of mandrel 72 is coated with a material, such as polyethylene, polytetrafluoroethylene (PTFE) or silicone, which will readily release a polymeric resin material cured thereon.

A base fabric 74, of one of the constructions set forth above, is disposed in sleeve-like fashion upon the mandrel 72. The diameter of the endless loop formed by the base fabric 74 is equal to the diameter of the cylindrical mandrel 72 plus twice the thickness of the layer of polymeric resin required on the inside of the belt being produced, that thickness being measured between the base fabric 74 and the inside surface of the belt being manufactured.

A fixed clamping ring 76 fixes the base fabric 74 at one end of the mandrel 72. A movable clamping tension ring 78 is disposed at the other end of the mandrel 72, and places the base fabric 74 under tension longitudinally with respect to the mandrel 72, that is, in the cross-machine-direction of the base fabric 74. Both the fixed clamping ring 76 and the



movable clamping tension ring **78** have clamping surfaces of a diameter equal to that of the base fabric **74**.

A spacer ring **80**, having a thickness equal to that desired for the layer of polymeric resin on the inside of the belt being manufactured, is disposed about the mandrel **72** beneath the base fabric **74**. The spacer ring **80** is axially translated along the mandrel **72** by cables **82**, which are wound onto take-up drum **84** by motor **86**.

During the coating of the base fabric **74**, the mandrel **72** is disposed so that its axis is oriented in a horizontal direction, and is rotated about that axis by another motor or device not shown in FIG. **14**. A dispenser **88** of polymeric resin is disposed about the horizontally oriented mandrel **72**, and applies polymeric resin onto the base fabric **74** substantially at the topmost point of the rotating mandrel **72**. The base fabric **74**, as described above, has a sufficiently high open area to allow the polymeric resin to flow unimpeded therethrough filling the space between the base weave and the mandrel.

The polymeric resin impregnates the base fabric **74**, and renders the belt being manufactured impervious to oil and water. The polymeric resin may be polyurethane, and preferably is a 100% solids composition thereof. The use of a 100% solids resin system, which by definition lacks a solvent material, enables one to avoid the formation of bubbles in the polymeric resin during the curing process through which it proceeds following its application onto the base fabric **74**.

The mandrel **72** is disposed with its longitudinal axis oriented in a horizontal direction, and rotated thereabout. A stream **90** of polymeric resin is applied to the outside of the base fabric **74** by starting at one end of the mandrel **72**, for example, at movable clamping tension ring **78**, and by proceeding longitudinally along the mandrel **72** as it rotates. The dispenser **88** is translated longitudinally above the mandrel **72** at a preselected rate to apply the polymeric resin to the base fabric **74** in the form of a spiral stream. To support the base fabric **74**, the spacer ring **80** also proceeds longitudinally along the mandrel **72** just ahead of the application edge of the resin stream **90**.

In order for the polymeric resin to penetrate the base fabric **74** to form a resin layer on the inside of the base fabric **74** without entrapping air bubbles therewithin, the openness of the base fabric **74** and the viscosity of the polymeric resin at the point of application are important factors. That is to say, the openness of the base fabric **74** must be sufficiently high, and the viscosity of the resin sufficiently low, to enable the polymeric resin to penetrate readily through the base fabric **74** without entrapping air bubbles. Further, the polymeric resin must be able to cross-link to the "green state", where it has cured to a point where it will no longer flow as a liquid, in a time less than that needed for the mandrel **72** to make approximately one third of a revolution. In this way, the polymeric resin will cross-link to the "green state" before the rotation of the mandrel **72** brings it to a point where it would otherwise be able to flow or drip from the mandrel **72**.

The flow rate of the stream **90** of polymeric resin can be controlled merely to penetrate the base fabric **74** and to provide a layer on the inside thereof, or to provide a layer on the inside of the base fabric **74**, to fill the voids in the base fabric **74**, and, possibly, to provide a layer of polymeric resin on the outside of the base fabric **74**.

Further, in an alternate embodiment of the present invention, two streams of polymeric resin can be applied onto the base fabric **74** from two dispensers **88**, one stream

being applied over the other. In this situation, the first stream of polymeric resin may provide sufficient resin to penetrate the base fabric **74** and to form a layer on the inside thereof down to the surface of the mandrel **72**. The first stream may also fill the base fabric **74**, and form a thin layer on the outside thereof. The second stream of polymeric resin may then provide a layer on the outside of the base fabric **74** and coating formed by the first stream of polymeric resin. Using this approach, the first stream can be of one polymeric resin and the second stream can be of another polymeric resin. This is desirable where the coatings on each side of the belts being manufactured are required to have different hardnesses, such as, for example, is the case with an LNP belt having grooves or holes on its outer surface or with a calender belt.

FIG. **15** is a cross-sectional view of belt **16** taken as indicated by line **15—15** in FIG. **2**. The cross section is taken in the transverse, or cross-machine, direction of belt **16**, and shows that belt **16** includes a base fabric **92** of the variety shown in FIGS. **5** and **6**. That is, base fabric **92** is woven in an endless leno weave from warp yarns **94,96** and weft yarns **98**. Warp yarns **94,96**, viewed from the side in FIG. **15**, are in the cross-machine direction of the belt **16**; weft yarns **98**, seen in cross section, are in the machine direction of the belt **16**. Crossing points **100**, where warp yarns **96** weave over weft yarns **98**, may be visible on the outer surface **30** of belt **16**, also known as the felt side of belt **16**.

The inner surface **28** of belt **16**, also known as the shoe side of belt **16**, is formed by a polymeric resin coating **102**. The polymeric resin **102** impregnates the base fabric **92**, and renders the belt **16** impervious to oil and water. Belt **16** is produced using apparatus **70** shown in FIG. **14**, wherein stream **90** is controlled to provide a layer of polymeric resin **102** on the inside of the base fabric **92**, to fill the voids in the base fabric **92**, and to provide a layer of polymeric resin **102** covering crossing points **100** on the outside of base fabric **92**. After polymeric resin **102** is cured, it may be ground and polished to provide it with a smooth surface and the belt **16** with a uniform thickness.

It may often be desirable to have a polymeric resin coating on both sides of the base fabric of a belt of this kind to ensure that the neutral axis of bending of the belt coincides with the base fabric. Where this is the case, the repeated flexing of the belt as it passes over the arcuate pressure shoe is less likely to cause the polymeric resin coating to break away and delaminate from the base fabric. Further, any polymeric resin coating on the outside of the belt (that is, the felt side) may be provided with grooves, blind-drilled holes, indentations or the like in some geometric pattern to provide a sink for the temporary storage of water pressed from fibrous web **20** in the press nip **10**. Using apparatus **70**, the polymeric resin coating on the outside of the belt may be the same or different from that on the inside of the belt, as discussed above.

In this regard, FIG. **16** is a cross-sectional view, analogous to that given in FIG. **15**, for a belt **110** having a coating of a first polymeric resin **112** on the inside of base fabric **92**, and a coating of a second polymeric resin **114** on the outside of base fabric **92**. Apparatus **70** is used to manufacture belt **110**. A first dispenser **88** applies first polymeric resin **112** onto base fabric **92** in an amount sufficient to penetrate base fabric **92** and to form a layer on the inside thereof down to the surface of the mandrel **72** and to fill the base fabric **92**. A second dispenser **88** applies second polymeric resin **114** in an amount sufficient to cover the first polymeric resin **112** and base fabric **92** and to form a layer of second polymeric



## 13

resin **114** thereover. First and second polymeric resins **112**, **114** both render the belt **110** impervious to oil and water. After first and second polymeric resins **112,114** have been cured, second polymeric resin **114** may be ground and polished to provide it with a smooth surface and the belt **110** with a uniform thickness.

In addition, following the grinding and polishing of second polymeric resin **114**, it may be provided with grooves, blind-drilled holes, or other indentations for the temporary storage of water pressed from a paper web. For example, FIG. **17** is a cross-sectional view of belt **32** taken as indicated by line **17—17** in FIG. **3**. Belt **32** is constructed in the same manner as belt **110** of FIG. **16**. After first and second polymeric resins **112,114** have been cured, and second polymeric resin **114** ground and polished to provide it with a smooth surface and belt **32** with a uniform thickness, grooves **38** may be cut into the outer surface **36** of belt **32**. It will be clear to those of ordinary skill in the art that the layer of second polymeric resin **114** should be of a thickness sufficient to enable grooves **38** to be cut without reaching base fabric **92**.

Similarly, FIG. **18** is a cross-sectional view of belt **40** taken as indicated by line **18—18** in FIG. **4**. Belt **40** is also constructed in the same manner as belt **110** of FIG. **16**. After first and second polymeric resins **112,114** have been cured, and second polymeric resin **114** ground and polished to provide it with a smooth surface and belt **40** with a uniform thickness, blind-drilled holes **46** may be drilled into the outer surface **44** of belt **40**. It will again be clear to those of ordinary skill in the art that the layer of second polymeric resin **112** should be of a thickness sufficient to enable blind-drilled holes **46** to be drilled without reaching base fabric **92**.

It should be understood, as implied above, that belts **110,32,40**, shown in cross section in FIGS. **16, 17** and **18**, respectively, may be manufactured using only one polymeric resin, rather than two, that is, rather than a first and second polymeric resin **112,114**. In those cases, the polymeric resin penetrates the base fabric **92** to provide a layer on the inside thereof, to fill the voids therein, and to provide a layer on the outside thereof of sufficient thickness to enable grooves **38** to be cut or blind-drilled holes **46** to be drilled without reaching base fabric **92**.

The polymeric resins used in the practice of the present invention are preferably of the reactive type, either chemically cross-linked with a catalyst or cross-linked with the application of heat. Resins having a 100% solids composition, that is, lacking a solvent, are preferred, as solvents tend to generate bubbles during the curing process. Polyurethane resins having 100% solids compositions are preferred.

The apparatus **70** used in the practice of the present invention enables a smooth layer of polymeric resin to be disposed on the inside of a paper processing belt without the necessity of inverting (turning inside out) the belt at any time during the manufacturing process. However, because the polymeric resin will tend to stick to the smooth, polished cylindrical mandrel **72**, it may be desirable to provide the mandrel **72** with a sleeve or coating to facilitate the removal of the belt therefrom when the polymeric resin has been cured. Polyethylene, polytetrafluoroethylene (PTFE) or silicone may be used for this purpose.

Modifications to the above would be obvious to those of ordinary skill in the art, but would not bring the invention so modified beyond the scope of the appended claims.

## 14

What is claimed is:

1. A resin-impregnated endless belt for a long nip press or calender, or for other papermaking and paper-processing applications, said resin-impregnated endless belt comprising:

a base fabric, said base fabric being in the form of an endless loop with an inner surface, an outer surface, a machine direction and a cross-machine direction, said base fabric having machine-direction (MD) structural elements and cross-machine-direction (CD) structural elements wherein at least some of said MD structural elements are spaced apart from one another by a distance in the range from 0.0625 inch to 0.5 inch (0.16 cm to 1.27 cm), and wherein at least some of said CD structural elements are spaced apart from one another by a distance in the range from 0.0625 inch to 0.5 inch (0.16 cm to 1.27 cm), said MD structural elements crossing said CD structural elements at a plurality of crossing points, said MD structural elements being joined to said CD structural elements at said crossing points; and

a coating of a first polymeric resin on said inner surface of said base fabric, said coating impregnating and rendering said base fabric impermeable to liquids, and forming a layer on the inner surface thereof, said coating being smooth and providing said belt with a uniform thickness,

wherein said base fabric is a woven structure, said MD structural elements being MD yarns and said CD structural elements being CD yarns, said MD yarns being woven with said CD yarns to form said woven structure,

wherein said MD yarns are woven with said CD yarns in a plain weave, and

wherein at least one of said MD yarns and said CD yarns are coated with a thermoplastic resin material, said thermoplastic resin material joining said MD yarns to said CD yarns at said crossing points upon application of a heat treatment on said base fabric after weaving.

2. A resin-impregnated endless belt for a long nip press or calender, or for other papermaking and paper-processing applications, said resin-impregnated endless belt comprising:

a base fabric, said base fabric being in the form of an endless loop with an inner surface, an outer surface, a machine direction and a cross-machine direction, said base fabric having machine-direction (MD) structural elements and cross-machine-direction (CD) structural elements wherein at least some of said MD structural elements are spaced apart from one another by a distance in the range from 0.0625 inch to 0.5 inch (0.16 cm to 1.27 cm), and wherein at least some of said CD structural elements are spaced apart from one another by a distance in the range from 0.0625 inch to 0.5 inch (0.16 cm to 1.27 cm), said MD structural elements crossing said CD structural elements at a plurality of crossing points, said MD structural elements being joined to said CD structural elements at said crossing points; and

a coating of a first polymeric resin on said inner surface of said base fabric, said coating impregnating and rendering said base fabric impermeable to liquids, and forming a layer on the inner surface thereof, said coating being smooth and providing said belt with a uniform thickness,

wherein said base fabric is a woven structure, said MD structural elements being MD yarns and said CD struc-



15

tural elements being CD yarns, said MD yarns being woven with said CD yarns to form said woven structure,

wherein said MD yarns are woven with said CD yarns in a plain weave, and wherein said MD yarns and said CD yarns are joined to one another at said crossing points by a chemical material applied to said base fabric after weaving.

3. A resin-impregnated endless belt for a long nip press or calender, or for other papermaking and paper-processing applications, said resin-impregnated endless belt comprising:

a base fabric, said base fabric being in the form of an endless loop with an inner surface, an outer surface, a machine direction and a cross-machine direction, said base fabric having machine-direction (MD) structural elements and cross-machine-direction (CD) structural elements wherein at least some of said MD structural elements are spaced apart from one another by a distance in the range from 0.0625 inch to 0.5 inch (0.16 cm to 1.27 cm), and wherein at least some of said CD structural elements are spaced apart from one another by a distance in the range from 0.0625 inch to 0.5 inch (0.16 cm to 1.27 cm), said MD structural elements crossing said CD structural elements at a plurality of crossing points, said MD structural elements being joined to said CD structural elements at said crossing points; and

a coating of a first polymeric resin on said inner surface of said base fabric, said coating impregnating and rendering said base fabric impermeable to liquids, and forming a layer on the inner surface thereof, said coating being smooth and providing said belt with a uniform thickness,

wherein said base fabric is a woven structure, said MD structural elements being MD yarns and said CD structural elements being CD yarns, said MD yarns being woven with said CD yarns to form said woven structure,

wherein said MD yarns are woven with said CD yarns in a plain weave, and wherein said MD yarns are polyester multifilament yarns.

4. A resin-impregnated endless belt as claimed in claim 3 wherein said polyester multifilament yarns have a denier of 3000.

5. A resin-impregnated endless belt for a long nip press or calender, or for other papermaking and paper-processing applications, said resin-impregnated endless belt comprising:

a base fabric, said base fabric being in the form of an endless loop with an inner surface, an outer surface, a machine direction and a cross-machine direction, said base fabric having machine-direction (MD) structural elements and cross-machine-direction (CD) structural elements wherein at least some of said MD structural elements are spaced apart from one another by a distance in the range from 0.0625 inch to 0.5 inch (0.16 cm to 1.27 cm), and wherein at least some of said CD structural elements are spaced apart from one another by a distance in the range from 0.0625 inch to 0.5 inch (0.16 cm to 1.27 cm), said MD structural elements crossing said CD structural elements at a plurality of crossing points, said MD structural elements being joined to said CD structural elements at said crossing points; and

a coating of a first polymeric resin on said inner surface of said base fabric, said coating impregnating and

16

rendering said base fabric impermeable to liquids, and forming a layer on the inner surface thereof, said coating being smooth and providing said belt with a uniform thickness,

wherein said base fabric is a woven structure, said MD structural elements being MD yarns and said CD structural elements being CD yarns, said MD yarns being woven with said CD yarns to form said woven structure,

wherein said MD yarns are woven with said CD yarns in a plain weave, and wherein said CD yarns are polyester multifilament yarns.

6. A resin-impregnated endless belt as claimed in claim 5 wherein said polyester multifilament yarns have a denier of 3000.

7. A resin-impregnated endless belt for a long nip press or calender, or for other papermaking and paper-processing applications, said resin-impregnated endless belt comprising:

a base fabric, said base fabric being in the form of an endless loop with an inner surface, an outer surface, a machine direction and a cross-machine direction, said base fabric having machine-direction (MD) structural elements and cross-machine-direction (CD) structural elements wherein at least some of said MD structural elements are spaced apart from one another by a distance in the range from 0.0625 inch to 0.5 inch (0.16 cm to 1.27 cm), and wherein at least some of said CD structural elements are spaced apart from one another by a distance in the range from 0.0625 inch to 0.5 inch (0.16 cm to 1.27 cm), said MD structural elements crossing said CD structural elements at a plurality of crossing points, said MD structural elements being joined to said CD structural elements at said crossing points; and

a coating of a first polymeric resin on said inner surface of said base fabric, said coating impregnating and rendering said base fabric impermeable to liquids, and forming a layer on the inner surface thereof, said coating being smooth and providing said belt with a uniform thickness,

wherein said base fabric is a woven structure, said MD structural elements being MD yarns and said CD structural elements being CD yarns, said MD yarns being woven with said CD yarns to form said woven structure,

wherein said MD yarns are woven with said CD yarns in a single-layer weave wherein a plurality of at least one of said MD yarns and said CD yarns weave side-by-side one another, and wherein at least one of said MD yarns and said CD yarns are coated with a thermoplastic resin material, said thermoplastic resin material joining said MD yarns to said CD yarns at said crossing points upon application of a heat treatment on said base fabric after weaving.

8. A resin-impregnated endless belt for a long nip press or calender, or for other papermaking and paper-processing applications, said resin-impregnated endless belt comprising:

a base fabric, said base fabric being in the form of an endless loop with an inner surface, an outer surface, a machine direction and a cross-machine direction, said base fabric having machine-direction (MD) structural elements and cross-machine-direction (CD) structural elements wherein at least some of said MD structural elements are spaced apart from one another by a



17

distance in the range from 0.0625 inch to 0.5 inch (0.16 cm to 1.27 cm), and wherein at least some of said CD structural elements are spaced apart from one another by a distance in the range from 0.0625 inch to 0.5 inch (0.16 cm to 1.27 cm), said MD structural elements crossing said CD structural elements at a plurality of crossing points, said MD structural elements being joined to said CD structural elements at said crossing points; and

a coating of a first polymeric resin on said inner surface of said base fabric, said coating impregnating and rendering said base fabric impermeable to liquids, and forming a layer on the inner surface thereof, said coating being smooth and providing said belt with a uniform thickness,

wherein said base fabric is a woven structure, said MD structural elements being MD yarns and said CD structural elements being CD yarns, said MD yarns being woven with said CD yarns to form said woven structure,

wherein said MD yarns are woven with said CD yarns in a single-layer weave wherein a plurality of at least one of said MD yarns and said CD yarns weave side-by-side one another, and wherein said MD yarns and said CD yarns are joined to one another at said crossing points by a chemical material applied to said base fabric after weaving.

9. A resin-impregnated endless belt for a long nip press or calender, or for other papermaking and paper-processing applications, said resin-impregnated endless belt comprising:

a base fabric, said base fabric being in the form of an endless loop with an inner surface, an outer surface, a machine direction and a cross-machine direction, said base fabric having machine-direction (MD) structural elements and cross-machine-direction (CD) structural elements wherein at least some of said MD structural elements are spaced apart from one another by a distance in the range from 0.0625 inch to 0.5 inch (0.16 cm to 1.27 cm), and wherein at least some of said CD structural elements are spaced apart from one another by a distance in the range from 0.0625 inch to 0.5 inch (0.16 cm to 1.27 cm), said MD structural elements crossing said CD structural elements at a plurality of crossing points, said MD structural elements being joined to said CD structural elements at said crossing points; and

a coating of a first polymeric resin on said inner surface of said base fabric, said coating impregnating and rendering said base fabric impermeable to liquids, and forming a layer on the inner surface thereof, said coating being smooth and providing said belt with a uniform thickness,

wherein said base fabric is a woven structure, said MD structural elements being MD yarns and said CD structural elements being CD yarns, said MD yarns being woven with said CD yarns to form said woven structure,

wherein said MD yarns are woven with said CD yarns in a single-layer weave wherein a plurality of at least one of said MD yarns and said CD yarns weave side-by-side one another, and wherein said MD yarns are polyester multifilament yarns.

10. A resin-impregnated endless belt for a long nip press or calender, or for other papermaking and paper-processing

18

applications, said resin-impregnated endless belt comprising:

a base fabric, said base fabric being in the form of an endless loop with an inner surface, an outer surface, a machine direction and a cross-machine direction, said base fabric having machine-direction (MD) structural elements and cross-machine-direction (CD) structural elements wherein at least some of said MD structural elements are spaced apart from one another by a distance in the range from 0.0625 inch to 0.5 inch (0.16 cm to 1.27 cm), and wherein at least some of said CD structural elements are spaced apart from one another by a distance in the range from 0.0625 inch to 0.5 inch (0.16 cm to 1.27 cm), said MD structural elements crossing said CD structural elements at a plurality of crossing points, said MD structural elements being joined to said CD structural elements at said crossing points; and

a coating of a first polymeric resin on said inner surface of said base fabric, said coating impregnating and rendering said base fabric impermeable to liquids, and forming a layer on the inner surface thereof, said coating being smooth and providing said belt with a uniform thickness,

wherein said base fabric is a woven structure, said MD structural elements being MD yarns and said CD structural elements being CD yarns, said MD yarns being woven with said CD yarns to form said woven structure,

wherein said MD yarns are woven with said CD yarns in a single-layer weave wherein a plurality of at least one of said MD yarns and said CD yarns weave side-by-side one another, and wherein said CD yarns are polyester multifilament yarns.

11. A resin-impregnated endless belt for a long nip press or calender, or for other papermaking and paper-processing applications, said resin-impregnated endless belt comprising:

a base fabric, said base fabric being in the form of an endless loop with an inner surface, an outer surface, a machine direction and a cross-machine direction, said base fabric having machine-direction (MD) structural elements and cross-machine-direction (CD) structural elements wherein at least some of said MD structural elements are spaced apart from one another by a distance in the range from 0.0625 inch to 0.5 inch (0.16 cm to 1.27 cm), and wherein at least some of said CD structural elements are spaced apart from one another by a distance in the range from 0.0625 inch to 0.5 inch (0.16 cm to 1.27 cm), said MD structural elements crossing said CD structural elements at a plurality of crossing points, said MD structural elements being joined to said CD structural elements at said crossing points; and

a coating of a first polymeric resin on said inner surface of said base fabric, said coating impregnating and rendering said base fabric impermeable to liquids, and forming a layer on the inner surface thereof, said coating being smooth and providing said belt with a uniform thickness,

wherein said base fabric is a woven structure, said MD structural elements being MD yarns and said CD structural elements being CD yarns, said MD yarns being woven with said CD yarns to form said woven structure,

wherein said CD yarns comprise first and second paired CD yarns, said first and second paired CD yarns being



19

interwoven with said MD yarns in an endless leno weave, said MD yarns and said CD yarns thereby being mechanically locked to one another at said crossing points, and wherein at least one of said MD yarns and said CD yarns are coated with a thermoplastic resin material, said thermoplastic resin material joining said MD yarns to said CD yarns at said crossing points upon application of a heat treatment on said base fabric after weaving.

12. A resin-impregnated endless belt for a long nip press or calender, or for other papermaking and paper-processing applications, said resin-impregnated endless belt comprising:

a base fabric, said base fabric being in the form of an endless loop with an inner surface, an outer surface, a machine direction and a cross-machine direction, said base fabric having machine-direction (MD) structural elements and cross-machine-direction (CD) structural elements wherein at least some of said MD structural elements are spaced apart from one another by a distance in the range from 0.0625 inch to 0.5 inch (0.16 cm to 1.27 cm), and wherein at least some of said CD structural elements are spaced apart from one another by a distance in the range from 0.0625 inch to 0.5 inch (0.16 cm to 1.27 cm), said MD structural elements crossing said CD structural elements at a plurality of crossing points, said MD structural elements being joined to said CD structural elements at said crossing points; and

a coating of a first polymeric resin on said inner surface of said base fabric, said coating impregnating and rendering said base fabric impermeable to liquids, and forming a layer on the inner surface thereof, said coating being smooth and providing said belt with a uniform thickness,

wherein said base fabric is a woven structure, said MD structural elements being MD yarns and said CD structural elements being CD yarns, said MD yarns being woven with said CD yarns to form said woven structure,

wherein said CD yarns comprise first and second paired CD yarns, said first and second paired CD yarns being interwoven with said MD yarns in an endless leno weave, said MD yarns and said CD yarns thereby being mechanically locked to one another at said crossing points, and wherein said MD yarns and said CD yarns are joined to one another at said crossing points by a chemical material applied to said base fabric after weaving.

13. A resin-impregnated endless belt for a long nip press or calender, or for other papermaking and paper-processing applications, said resin-impregnated endless belt comprising:

a base fabric, said base fabric being in the form of an endless loop with an inner surface, an outer surface, a machine direction and a cross-machine direction, said base fabric having machine-direction (MD) structural elements and cross-machine-direction (CD) structural elements wherein at least some of said MD structural elements are spaced apart from one another by a distance in the range from 0.0625 inch to 0.5 inch (0.16 cm to 1.27 cm), and wherein at least some of said CD structural elements are spaced apart from one another by a distance in the range from 0.0625 inch to 0.5 inch (0.16 cm to 1.27 cm), said MD structural elements crossing said CD structural elements at a plurality of

20

crossing points, said MD structural elements being joined to said CD structural elements at said crossing points; and

a coating of a first polymeric resin on said inner surface of said base fabric, said coating impregnating and rendering said base fabric impermeable to liquids, and forming a layer on the inner surface thereof, said coating being smooth and providing said belt with a uniform thickness,

wherein said base fabric is a woven structure, said MD structural elements being MD yarns and said CD structural elements being CD yarns, said MD yarns being woven with said CD yarns to form said woven structure,

wherein said CD yarns comprise first and second paired CD yarns, said first and second paired CD yarns being interwoven with said MD yarns in an endless leno weave, said MD yarns and said CD yarns thereby being mechanically locked to one another at said crossing points, and wherein said MD yarns are polyester multifilament yarns.

14. A resin-impregnated endless belt as claimed in claim 13 wherein said polyester multifilament yarns have a denier of 3000.

15. A resin-impregnated endless belt for a long nip press or calender, or for other papermaking and paper-processing applications, said resin-impregnated endless belt comprising:

a base fabric, said base fabric being in the form of an endless loop with an inner surface, an outer surface, a machine direction and a cross-machine direction, said base fabric having machine-direction (MD) structural elements and cross-machine-direction (CD) structural elements wherein at least some of said MD structural elements are spaced apart from one another by a distance in the range from 0.0625 inch to 0.5 inch (0.16 cm to 1.27 cm), and wherein at least some of said CD structural elements are spaced apart from one another by a distance in the range from 0.0625 inch to 0.5 inch (0.16 cm to 1.27 cm), said MD structural elements crossing said CD structural elements at a plurality of crossing points, said MD structural elements being joined to said CD structural elements at said crossing points; and

a coating of a first polymeric resin on said inner surface of said base fabric, said coating impregnating and rendering said base fabric impermeable to liquids, and forming a layer on the inner surface thereof, said coating being smooth and providing said belt with a uniform thickness,

wherein said base fabric is a woven structure, said MD structural elements being MD yarns and said CD structural elements being CD yarns, said MD yarns being woven with said CD yarns to form said woven structure,

wherein said CD yarns comprise first and second paired CD yarns, said first and second paired CD yarns being interwoven with said MD yarns in an endless leno weave, said MD yarns and said CD yarns thereby being mechanically locked to one another at said crossing points, and wherein said first and second paired CD yarns are both polyester multifilament yarns.

16. A resin-impregnated endless belt as claimed in claim 15 wherein said first and second paired CD yarns have a combined denier of 3000.

17. A resin-impregnated endless belt for a long nip press or calender, or for other papermaking and paper-processing



21

applications, said resin-impregnated endless belt comprising:

a base fabric, said base fabric being in the form of an endless loop with an inner surface, an outer surface, a machine direction and a cross-machine direction, said base fabric having machine-direction (MD) structural elements and cross-machine-direction (CD) structural elements wherein at least some of said MD structural elements are spaced apart from one another by a distance in the range from 0.0625 inch to 0.5 inch (0.16 cm to 1.27 cm), and wherein at least some of said CD structural elements are spaced apart from one another by a distance in the range from 0.0625 inch to 0.5 inch (0.16 cm to 1.27 cm), said MD structural elements crossing said CD structural elements at a plurality of crossing points, said MD structural elements being joined to said CD structural elements at said crossing points; and

a coating of a first polymeric resin on said inner surface of said base fabric, said coating impregnating and rendering said base fabric impermeable to liquids, and forming a layer on the inner surface thereof, said coating being smooth and providing said belt with a uniform thickness,

wherein said base fabric is a non-woven structure, said MD structural elements being MD yarns and said CD structural elements being CD yarns, said MD yarns being joined to said CD yarns at said crossing points to form said non-woven structure,

wherein said MD yarns are bonded to said CD yarns at said crossing points, and wherein at least one of said MD yarns and said CD yarns are coated with a thermoplastic resin material, said thermoplastic resin material joining said MD yarns to said CD yarns at said crossing points upon application of a heat treatment.

**18.** A resin-impregnated endless belt for a long nip press or calender, or for other papermaking and paper-processing applications, said resin-impregnated endless belt comprising:

a base fabric, said base fabric being in the form of an endless loop with an inner surface, an outer surface, a machine direction and a cross-machine direction, said base fabric having machine-direction (MD) structural elements and cross-machine-direction (CD) structural elements wherein at least some of said MD structural elements are spaced apart from one another by a distance in the range from 0.0625 inch to 0.5 inch (0.16 cm to 1.27 cm), and wherein at least some of said CD structural elements are spaced apart from one another by a distance in the range from 0.0625 inch to 0.5 inch (0.16 cm to 1.27 cm), said MD structural elements crossing said CD structural elements at a plurality of crossing points, said MD structural elements being joined to said CD structural elements at said crossing points; and

a coating of a first polymeric resin on said inner surface of said base fabric, said coating impregnating and rendering said base fabric impermeable to liquids, and forming a layer on the inner surface thereof, said coating being smooth and providing said belt with a uniform thickness,

wherein said base fabric is a non-woven structure, said MD structural elements being MD yarns and said CD structural elements being CD yarns, said MD yarns being joined to said CD yarns at said crossing points to form said non-woven structure,

22

wherein said MD yarns are bonded to said CD yarns at said crossing points, and wherein said MD yarns and said CD yarns are joined to one another at said crossing points by a chemical material.

**19.** A resin-impregnated endless belt for a long nip press or calender, or for other papermaking and paper-processing applications, said resin-impregnated endless belt comprising:

a base fabric, said base fabric being in the form of an endless loop with an inner surface, an outer surface, a machine direction and a cross-machine direction, said base fabric having machine-direction (MD) structural elements and cross-machine-direction (CD) structural elements wherein at least some of said MD structural elements are spaced apart from one another by a distance in the range from 0.0625 inch to 0.5 inch (0.16 cm to 1.27 cm), and wherein at least some of said CD structural elements are spaced apart from one another by a distance in the range from 0.0625 inch to 0.5 inch (0.16 cm to 1.27 cm), said MD structural elements crossing said CD structural elements at a plurality of crossing points, said MD structural elements being joined to said CD structural elements at said crossing points; and

a coating of a first polymeric resin on said inner surface of said base fabric, said coating impregnating and rendering said base fabric impermeable to liquids, and forming a layer on the inner surface thereof, said coating being smooth and providing said belt with a uniform thickness,

wherein said base fabric is a non-woven structure, said MD structural elements being MD yarns and said CD structural elements being CD yarns, said MD yarns being joined to said CD yarns at said crossing points to form said non-woven structure, and wherein said MD yarns are polyester multifilament yarns.

**20.** A resin-impregnated endless belt as claimed in claim **19** wherein said polyester multifilament yarns have a denier of 3000.

**21.** A resin-impregnated endless belt for a long nip press or calender, or for other papermaking and paper-processing applications, said resin-impregnated endless belt comprising:

a base fabric, said base fabric being in the form of an endless loop with an inner surface, an outer surface, a machine direction and a cross-machine direction, said base fabric having machine-direction (MD) structural elements and cross-machine-direction (CD) structural elements wherein at least some of said MD structural elements are spaced apart from one another by a distance in the range from 0.0625 inch to 0.5 inch (0.16 cm to 1.27 cm), and wherein at least some of said CD structural elements are spaced apart from one another by a distance in the range from 0.0625 inch to 0.5 inch (0.16 cm to 1.27 cm), said MD structural elements crossing said CD structural elements at a plurality of crossing points, said MD structural elements being joined to said CD structural elements at said crossing points; and

a coating of a first polymeric resin on said inner surface of said base fabric, said coating impregnating and rendering said base fabric impermeable to liquids, and forming a layer on the inner surface thereof, said coating being smooth and providing said belt with a uniform thickness,

wherein said base fabric is a non-woven structure, said MD structural elements being MD yarns and said CD



## 23

structural elements being CD yarns, said MD yarns being joined to said CD yarns at said crossing points to form said non-woven structure, and wherein said CD yarns are polyester multifilament yarns.

22. A resin-impregnated endless belt as claimed in claim 19 wherein said polyester multifilament yarns have a denier of 3000.

23. A resin-impregnated endless belt for a long nip press or calender, or for other papermaking and paper-processing applications, said resin-impregnated endless belt comprising:

a base fabric, said base fabric being in the form of an endless loop with an inner surface, an outer surface, a machine direction and a cross-machine direction, said base fabric having machine-direction (MD) structural elements and cross-machine-direction (CD) structural elements wherein at least some of said MD structural elements are spaced apart from one another by a distance in the range from 0.0625 inch to 0.5 inch (0.16 cm to 1.27 cm), and wherein at least some of said CD structural elements are spaced apart from one another by a distance in the range from 0.0625 inch to 0.5 inch (0.16 cm to 1.27 cm), said MD structural elements crossing said CD structural elements at a plurality of crossing points, said MD structural elements being joined to said CD structural elements at said crossing points; and

a coating of a first polymeric resin on said inner surface of said base fabric, said coating impregnating and rendering said base fabric impermeable to liquids, and forming a layer on the inner surface thereof, said coating being smooth and providing said belt with a uniform thickness,

wherein said base fabric is a non-woven structure, said MD structural elements being MD yarns and said CD structural elements being CD yarns, said MD yarns being joined to said CD yarns at said crossing points to form said non-woven structure, and wherein said base fabric further comprises a knitted structure, said MD yarns and said CD yarns interweaving with said knitted structure but not with each other, said knitted structure thereby mechanically joining said MD yarns to said CD yarns at said crossing points.

24. A resin-impregnated endless belt for a long nip press or calender, or for other papermaking and paper-processing applications, said resin-impregnated endless belt comprising:

a base fabric, said base fabric being in the form of an endless loop with an inner surface, an outer surface, a machine direction and a cross-machine direction, said base fabric having machine-direction (MD) structural elements and cross-machine-direction (CD) structural elements wherein at least some of said MD structural elements are spaced apart from one another by a distance in the range from 0.0625 inch to 0.5 inch (0.16 cm to 1.27 cm), and wherein at least some of said CD structural elements are spaced apart from one another by a distance in the range from 0.0625 inch to 0.5 inch (0.16 cm to 1.27 cm), said MD structural elements crossing said CD structural elements at a plurality of crossing points, said MD structural elements being joined to said CD structural elements at said crossing points; and

a coating of a first polymeric resin on said inner surface of said base fabric, said coating impregnating and rendering said base fabric impermeable to liquids, and

## 24

forming a layer on the inner surface thereof, said coating being smooth and providing said belt with a uniform thickness, wherein said base fabric is an endless Raschel-knitted structure, said MD structural elements being MD yarns and said CD structural elements being Raschel-knitted CD yarns, said MD yarns being laid into said Raschel-knitted CD yarns during production of said endless Raschel-knitted structure, said MD yarns thereby being mechanically interlocked with said Raschel-knitted CD yarns.

25. A resin-impregnated endless belt as claimed in claim 24 wherein at least one of said MD yarns and said CD yarns are coated with a thermoplastic resin material, said thermoplastic resin material further joining said MD yarns to said CD yarns at said crossing points upon application of a heat treatment on said base fabric after Raschel-knitting.

26. A resin-impregnated endless belt as claimed in claim 24 wherein said MD yarns and said CD yarns are further joined to one another at said crossing points by a chemical material applied to said base fabric after Raschel knitting.

27. A resin-impregnated endless belt as claimed in claim 24 wherein said MD yarns are polyester multifilament yarns.

28. A resin-impregnated endless belt as claimed in claim 27 wherein said polyester multifilament yarns have a denier of 3000.

29. A resin-impregnated endless belt for a long nip press or calender, or for other papermaking and paper-processing applications, said resin-impregnated endless belt comprising:

a base fabric, said base fabric being in the form of an endless loop with an inner surface, an outer surface, a machine direction and a cross-machine direction, said base fabric having machine-direction (MD) structural elements and cross-machine-direction (CD) structural elements wherein at least some of said MD structural elements are spaced apart from one another by a distance in the range from 0.0625 inch to 0.5 inch (0.16 cm to 1.27 cm), and wherein at least some of said CD structural elements are spaced apart from one another by a distance in the range from 0.0625 inch to 0.5 inch (0.16 cm to 1.27 cm), said MD structural elements crossing said CD structural elements at a plurality of crossing points, said MD structural elements being joined to said CD structural elements at said crossing points; and

a coating of a first polymeric resin on said inner surface of said base fabric, said coating impregnating and rendering said base fabric impermeable to liquids, and forming a layer on the inner surface thereof, said coating being smooth and providing said belt with a uniform thickness, wherein said base fabric is an endless knitted structure, said endless knitted structure, being knitted from a yarn and stretched in both the machine and cross-machine directions so that sections of said yarn align with said directions and become said MD and CD structural elements, said endless knitted structure being bonded in such a stretched condition to maintain the alignment of said sections of said yarn in the machine and cross-machine directions.

30. A resin-impregnated endless belt as claimed in claim 29 wherein said yarn is coated with a thermoplastic resin material, said thermoplastic resin material bonding said endless knitted structure in said stretched condition upon application of a heat treatment on said base fabric while so stretched.

31. A resin-impregnated endless belt as claimed in claim 29 wherein said endless knitted structure is bonded in said



stretched condition by a chemical material applied thereto while so stretched.

32. A resin-impregnated endless belt as claimed in claim 29 wherein said yarn is a polyester multifilament yarn.

33. A resin-impregnated endless belt as claimed in claim 32 wherein said polyester multifilament yarn has a denier of 3000.

34. A resin-impregnated endless belt for a long nip press or calender, or for other papermaking and paper-processing applications, said resin-impregnated endless belt comprising:

a base, said base being in the form of an endless loop with an inner surface, an outer surface, a machine direction and a cross-machine direction, said base having machine-direction (MD) structural elements and cross-machine-direction (CD) structural elements, said MD structural elements crossing said CD structural elements at a plurality of crossing points, said MD structural elements being joined to said CD structural elements at said crossing points; and

a coating of a first polymeric resin on said inner surface of said base, said coating impregnating and rendering said base impermeable to liquids, and forming a layer on the inner surface thereof, said coating being smooth and providing said belt with a uniform thickness,

wherein said base is a non-woven structure, said MD structural elements being MD yarns and said CD structural elements being CD yarns, said MD yarns being joined to said CD yarns at said crossing points to form said non-woven structure,

wherein said MD yarns are bonded to said CD yarns at said crossing points, and wherein at least one of said MD yarns and said CD yarns are coated with a thermoplastic resin material, said thermoplastic resin material joining said MD yarns to said CD yarns at said crossing points upon application of a heat treatment.

35. A resin-impregnated endless belt for a long nip press or calender, or for other papermaking and paper-processing applications, said resin-impregnated endless belt comprising:

a base, said base being in the form of an endless loop with an inner surface, an outer surface, a machine direction and a cross-machine direction, said base having machine-direction (MD) structural elements and cross-machine-direction (CD) structural elements, said MD structural elements crossing said CD structural elements at a plurality of crossing points, said MD structural elements being joined to said CD structural elements at said crossing points; and

a coating of a first polymeric resin on said inner surface of said base, said coating impregnating and rendering said base impermeable to liquids, and forming a layer on the inner surface thereof, said coating being smooth and providing said belt with a uniform thickness,

wherein said base is a non-woven structure, said MD structural elements being MD yarns and said CD structural elements being CD yarns, said MD yarns being joined to said CD yarns at said crossing points to form said non-woven structure,

wherein said MD yarns are bonded to said CD yarns at said crossing points, and wherein said MD yarns and said CD yarns are joined to one another at said crossing points by a chemical material.

36. A resin-impregnated endless belt for a long nip press or calender, or for other papermaking and paper-processing

applications, said resin-impregnated endless belt comprising:

a base, said base being in the form of an endless loop with an inner surface, an outer surface, a machine direction and a cross-machine direction, said base having machine-direction (MD) structural elements and cross-machine direction (CD) structural elements, said MD structural elements crossing said CD structural elements at a plurality of crossing points, said MD structural elements being joined to said CD structural elements at said crossing points; and

a coating of a first polymeric resin on said inner surface of said base, said coating impregnating and rendering said base impermeable to liquids, and forming a layer on the inner surface thereof, said coating being smooth and providing said belt with a uniform thickness,

wherein said base is a non-woven structure, said MD structural elements being MD yarns and said CD structural elements being CD yarns, said MD yarns being joined to said CD yarns at said crossing points to form said non-woven structure, and wherein said MD yarns are polyester multifilament yarns.

37. A resin-impregnated endless belt as claimed in claim 36 wherein said polyester multifilament yarns have a denier of 3000.

38. A resin-impregnated endless belt for a long nip press or calender, or for other papermaking and paper-processing applications, said resin-impregnated endless belt comprising:

a base, said base being in the form of an endless loop with an inner surface, an outer surface, a machine direction and a cross-machine direction, said base having machine-direction (MD) structural elements and cross-machine-direction (CD) structural elements, said MD structural elements crossing said CD structural elements at a plurality of crossing points, said MD structural elements being joined to said CD structural elements at said crossing points; and

a coating of a first polymeric resin on said inner surface of said base, said coating impregnating and rendering said base impermeable to liquids, and forming a layer on the inner surface thereof, said coating being smooth and providing said belt with a uniform thickness,

wherein said base is a non-woven structure, said MD structural elements being MD yarns and said CD structural elements being CD yarns, said MD yarns being joined to said CD yarns at said crossing points to form said non-woven structure, and wherein said CD yarns are polyester multifilament yarns.

39. A resin-impregnated endless belt as claimed in claim 38 wherein said polyester multifilament yarns have a denier of 3000.

40. A resin-impregnated endless belt for a long nip press or calender, or for other papermaking and paper-processing applications, said resin-impregnated endless belt comprising:

a base, said base being in the form of an endless loop with an inner surface, an outer surface, a machine direction and a cross-machine direction, said base having machine-direction (MD) structural elements and cross-machine-direction (CD) structural elements, said MD structural elements crossing said CD structural elements at a plurality of crossing points, said MD structural elements being joined to said CD structural elements at said crossing points; and

a coating of a first polymeric resin on said inner surface of said base, said coating impregnating and rendering



27

*said base impermeable to liquids, and forming a layer on the inner surface thereof, said coating being smooth and providing said belt with a uniform thickness,*

*wherein said base is a non-woven structure, said MD structural elements being MD yarns and said CD structural elements being CD yarns, said MD yarns being joined to said CD yarns at said crossing points to form said non-woven structure, and wherein said base further comprises a knitted structure, said MD yarns and said CD yarns interweaving with said knitted structure but not with each other, said knitted structure thereby mechanically joining said MD yarns to said CD yarns at said crossing points.*

*41. A resin-impregnated endless belt for a long nip press or calender, or for other papermaking and paper-processing applications, said resin-impregnated endless belt comprising:*

*a base, said base being in the form of an endless loop with an inner surface, an outer surface, a machine direction and a cross-machine direction, said base having machine-direction (MD) structural elements and cross-*

28

*machine-direction (CD) structural elements, said MD structural elements crossing said CD structural elements at a plurality of crossing points, said MD structural elements being joined to said CD structural elements at said crossing points; and*

*a coating of a first polymeric resin on said inner surface of said base, said coating impregnating and rendering said base impermeable to liquids, and forming a layer on the inner surface thereof, said coating being smooth and providing said belt with a uniform thickness, wherein said base is an endless knitted structure, said endless knitted structure, being knitted from a yarn and stretched in both the machine and cross-machine directions so that sections of said yarn align with said directions and become said MD and CD structural elements, said endless knitted structure being bonded in such a stretched condition to maintain the alignment of said sections of said yarn in the machine and cross-machine directions.*

\* \* \* \* \*