



US00RE39027E

(19) **United States**
(12) **Reissued Patent**
Johnson et al.

(10) **Patent Number: US RE39,027 E**
(45) **Date of Reissued Patent: Mar. 21, 2006**

(54) **SHAFT LOCKING DEVICE FOR BEARING ASSEMBLIES**

(75) Inventors: **James P. Johnson**, St. Charles, IL (US); **Eric Puleo**, Cortland, IL (US); **Kevin Feerick**, Wheaton, IL (US)

(73) Assignee: **Emerson Power Transmission Manufacturing, L.P.**, Maysville, KY (US)

3,276,828 A	10/1966	Manfield
3,304,140 A	2/1967	Hornigold
3,397,021 A	8/1968	Fitzsimmons
3,428,379 A	2/1969	Readman
3,938,901 A	2/1976	Howe, Jr.
4,537,519 A	8/1985	La Rou et al.
4,575,265 A	3/1986	Tooley
4,728,202 A *	3/1988	LaRou
5,863,137 A *	1/1999	Johnson et al.
6,036,372 A *	3/2000	Okamoto
6,129,456 A	10/2000	Okamoto

(21) Appl. No.: **10/689,577**

(22) Filed: **Oct. 20, 2003**

FOREIGN PATENT DOCUMENTS

FR 513495 4/1920

* cited by examiner

Related U.S. Patent Documents

Reissue of:

(64) Patent No.: **6,336,748**
Issued: **Jan. 8, 2002**
Appl. No.: **09/805,804**
Filed: **Mar. 13, 2001**

(62) Division of application No. 09/235,691, filed on Jan. 22, 1999, now Pat. No. 6,200,039, which is a division of application No. 08/798,284, filed on Feb. 7, 1997, now Pat. No. 5,863,137.

(51) **Int. Cl.**
F16C 19/06 (2006.01)

(52) **U.S. Cl.** **384/537**

(58) **Field of Classification Search** 384/537,
384/539, 585, 584, 510

See application file for complete search history.

(56) **References Cited**

U.S. PATENT DOCUMENTS

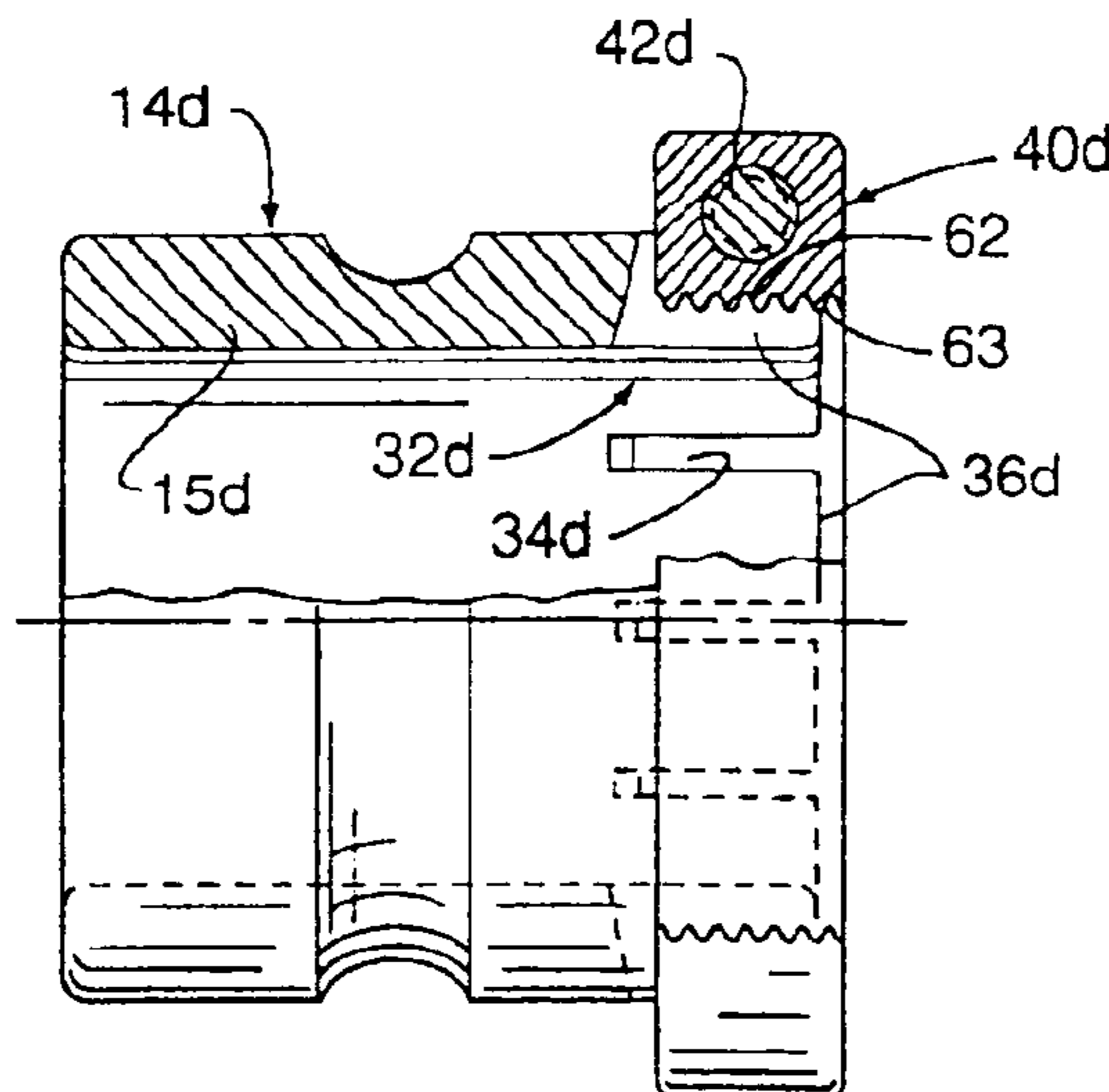
RE17,838 E	10/1930	Gayman
1,898,469 A	2/1933	Tonsor
2,136,819 A	11/1938	Large
2,168,469 A	8/1939	Brouwer
2,650,867 A	9/1953	Spieth
3,172,667 A	3/1965	Baker et al.

Primary Examiner—Lenard A. Footland
(74) *Attorney, Agent, or Firm*—McDonnell Boehnen Hulbert & Berghoff

(57) **ABSTRACT**

A bearing assembly wherein the inner diameter of the slotted compressible annular locking collar is provided with a protrusion which extends radially inwardly, and finger extensions of the inner ring are provided with a recessed groove which extends at least partially along the collective outer annular surface of the finger extensions. When the locking collar is disposed about the finger extensions of the inner ring, the protrusion is disposed within the recessed groove to retain the locking collar on the inner ring. The inner ring finger extensions and the locking collar are relatively sized such that when they are in their free states, the inner diameter of the protrusion is slightly smaller than the outer diameter of the recessed groove, such that the collar may be snapped over the finger extensions and into proper position on the inner ring prior to installation on a shaft. The protrusion may be an integrally formed part of the locking collar or a separate resilient member. In one embodiment, the locking collar and finger extensions are formed with cooperating threads.

2 Claims, 3 Drawing Sheets



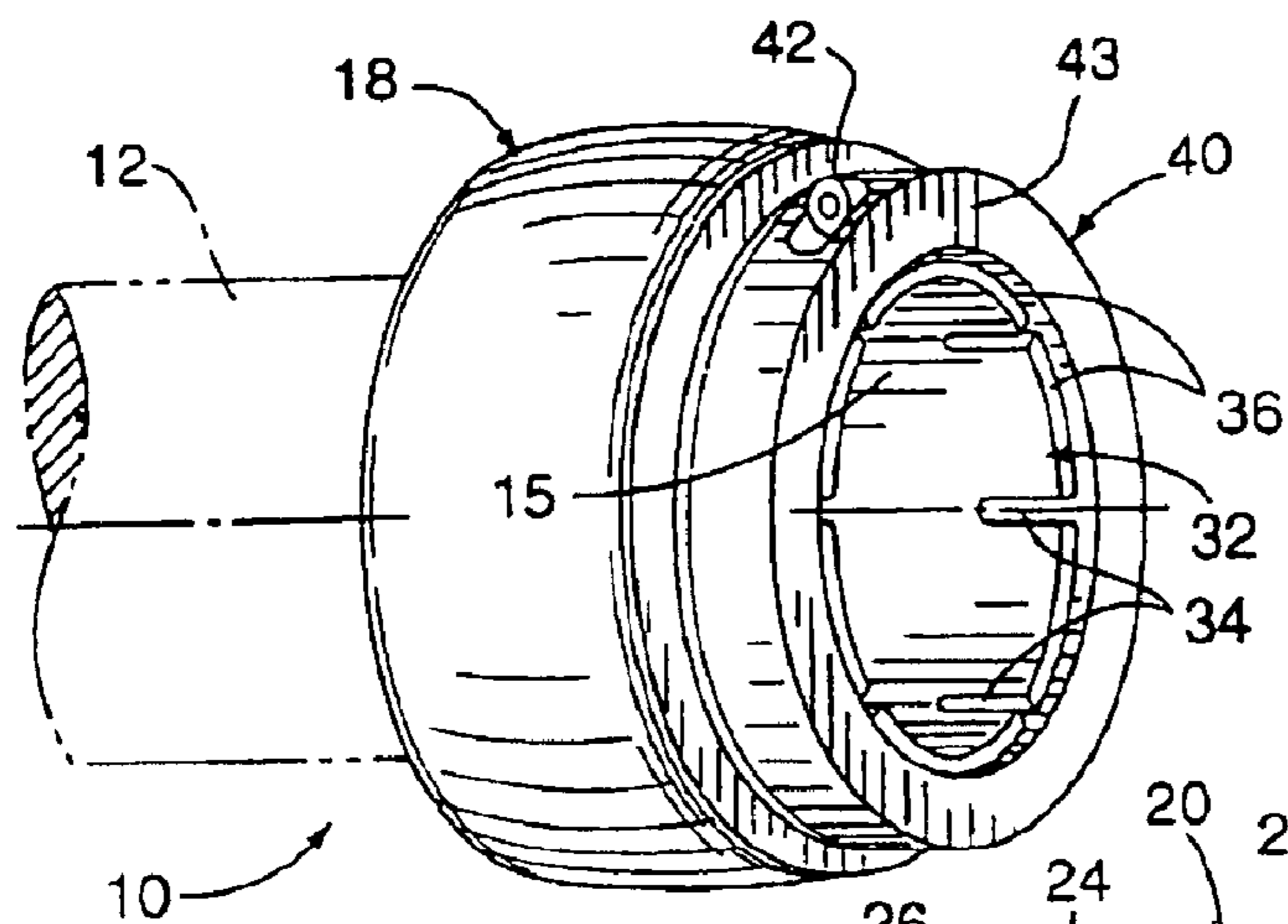


FIG. 1

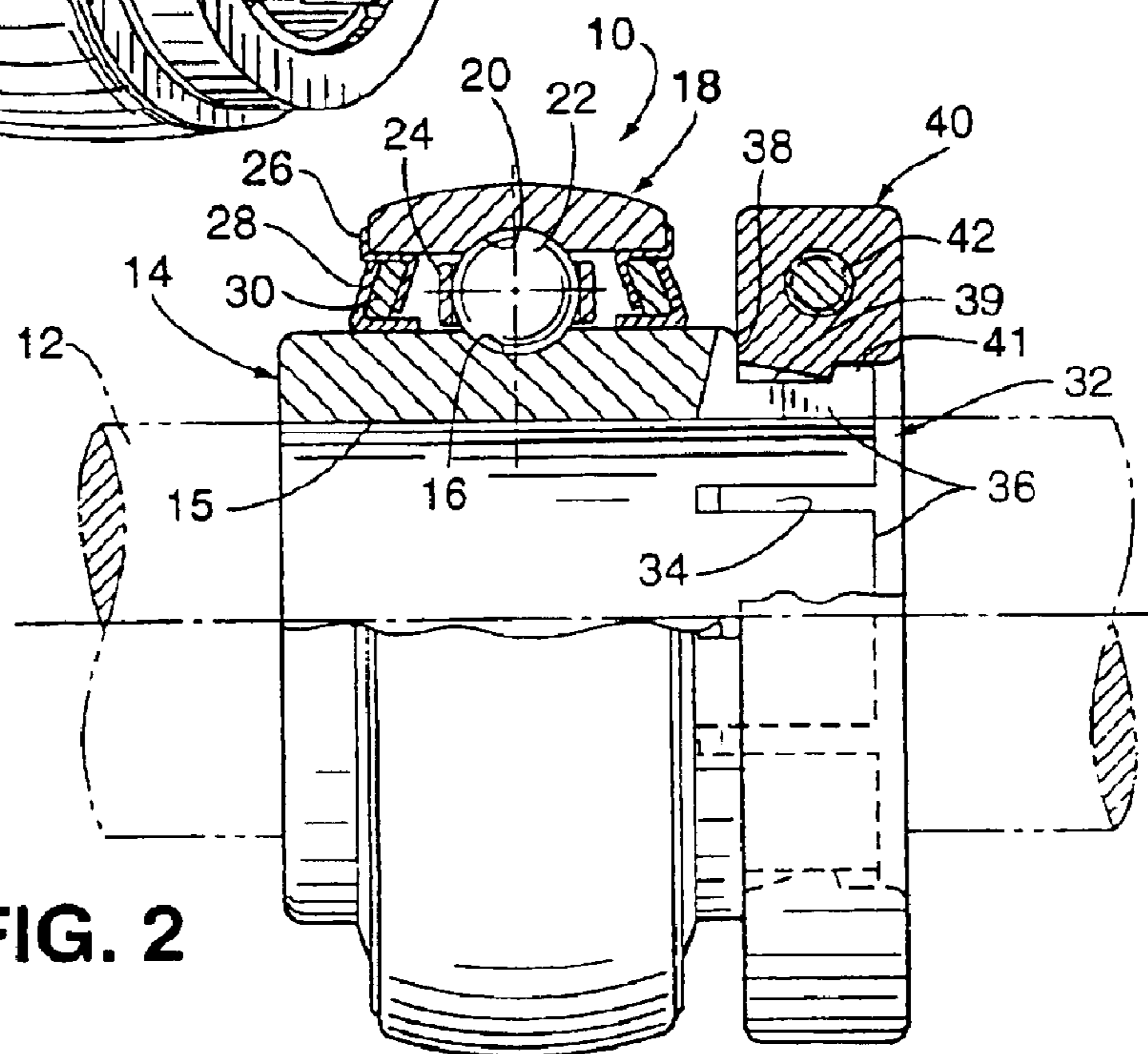


FIG. 2

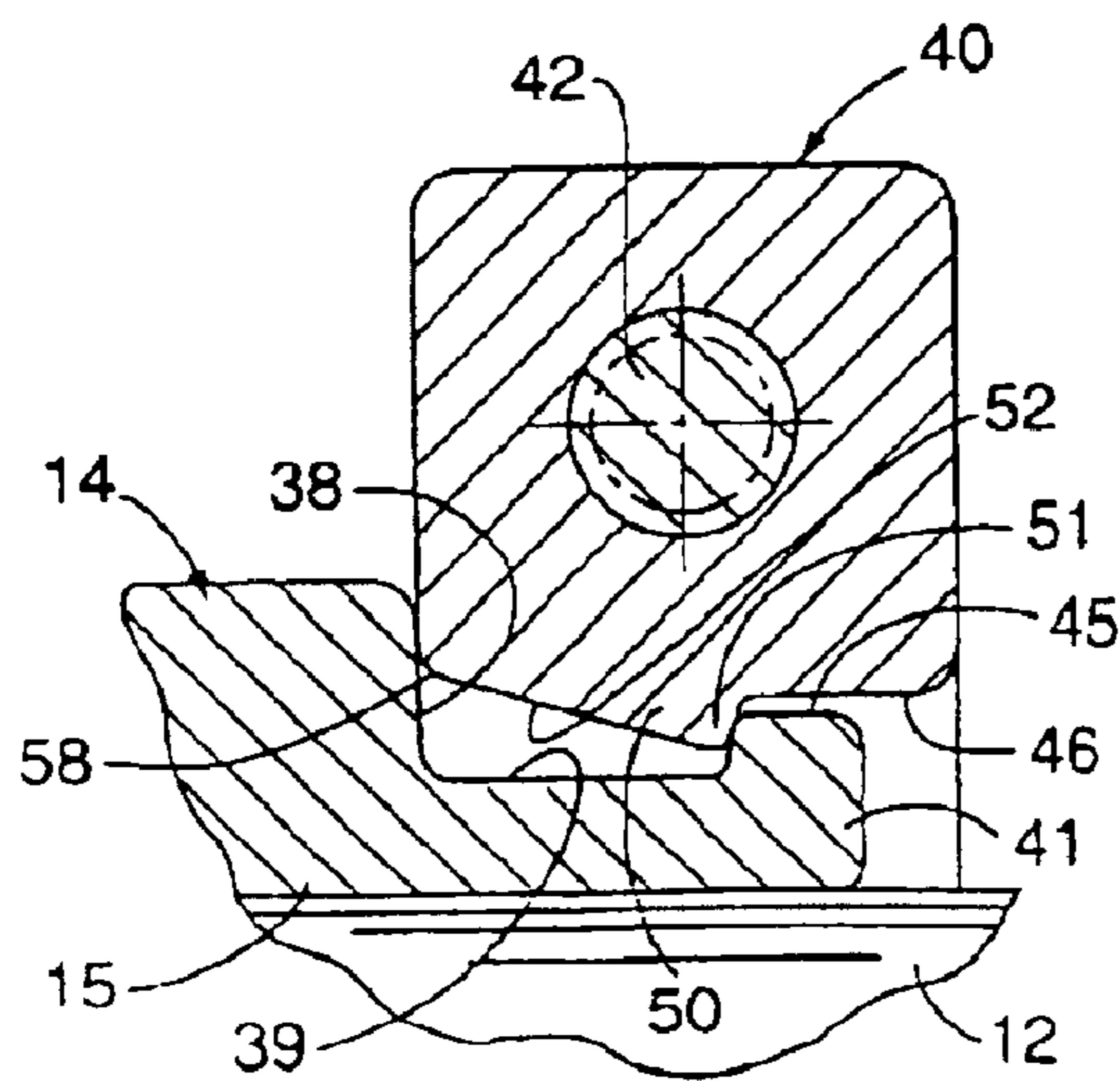


FIG. 3

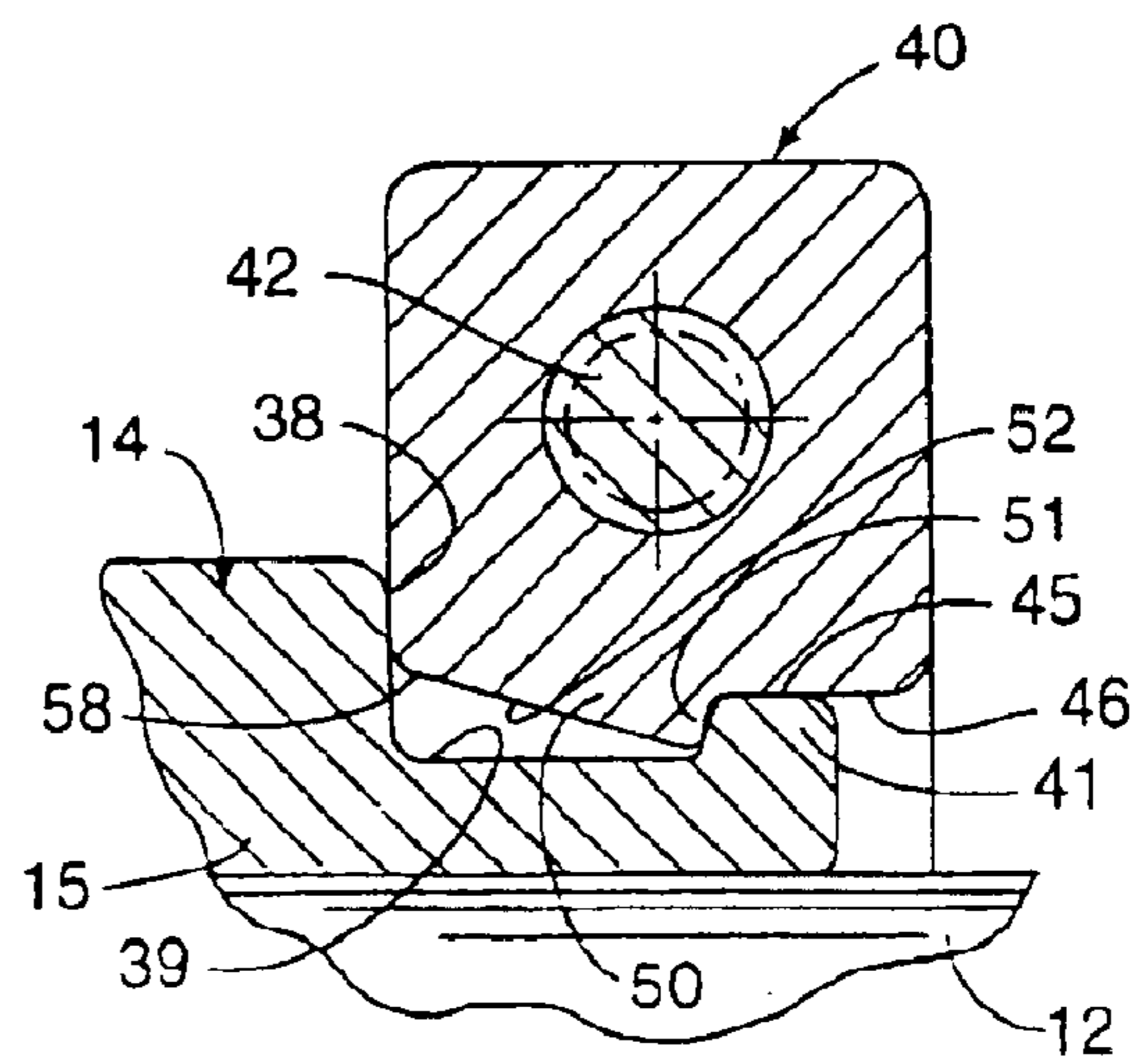


FIG. 4

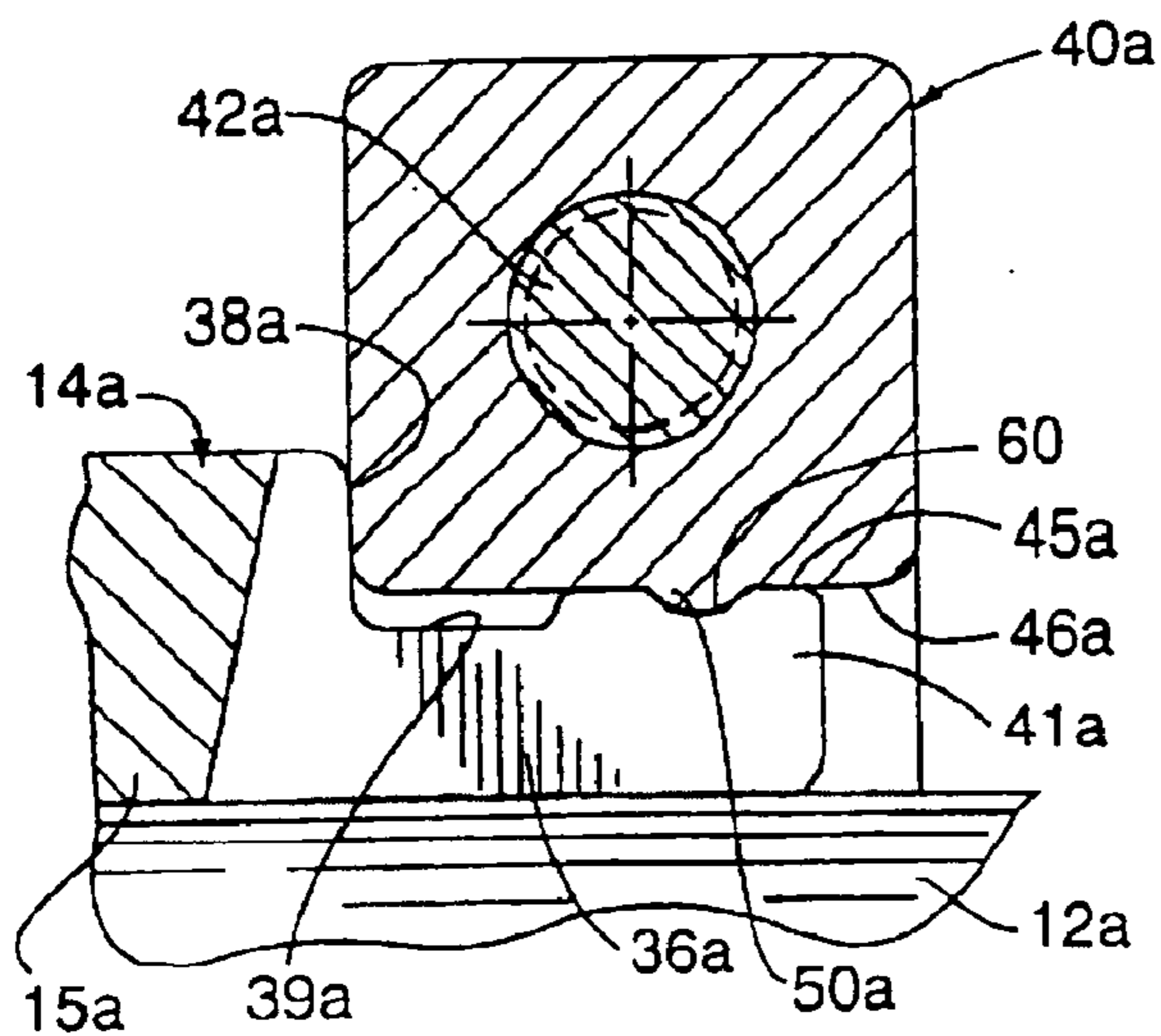


FIG. 5

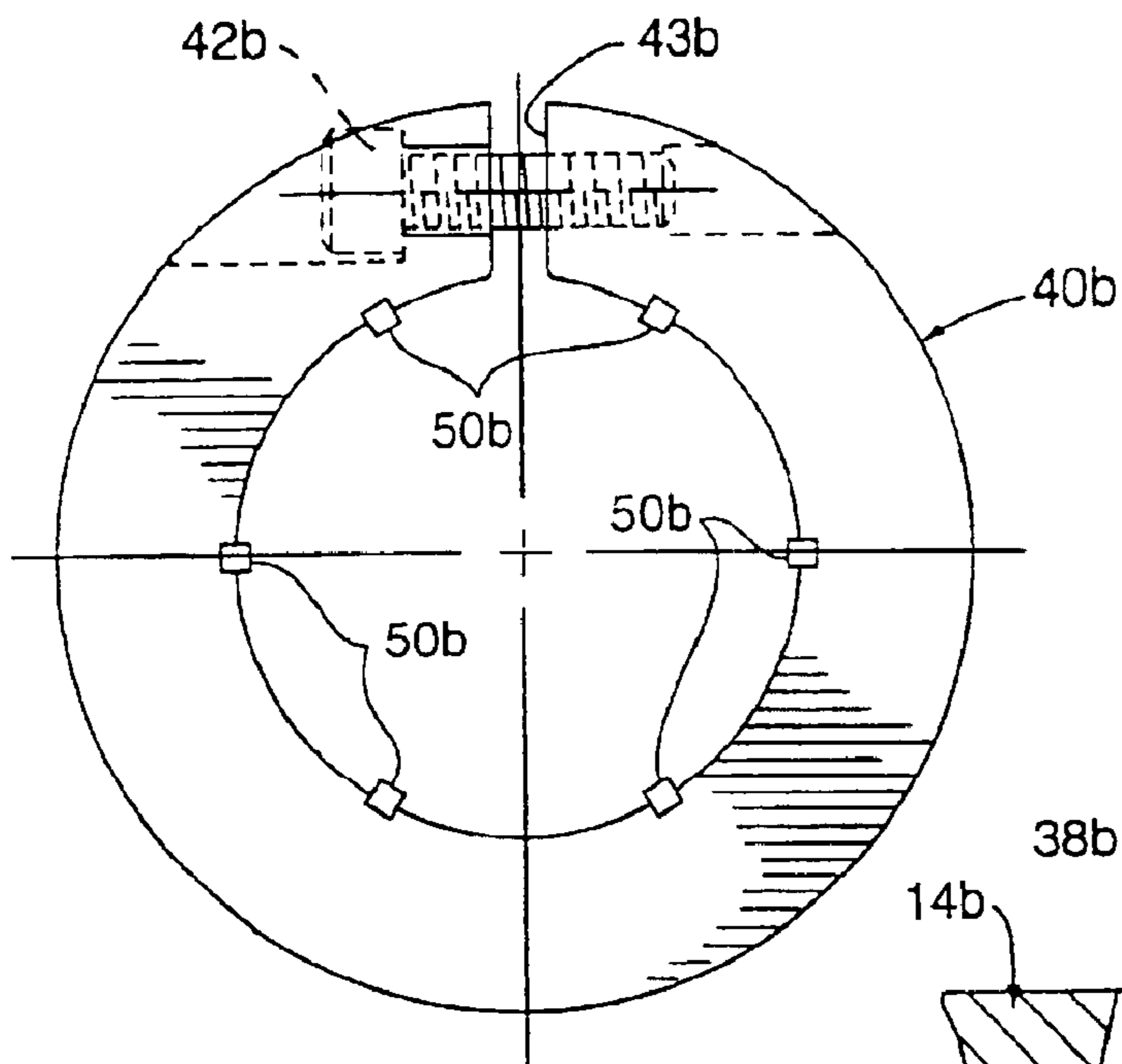


FIG. 6

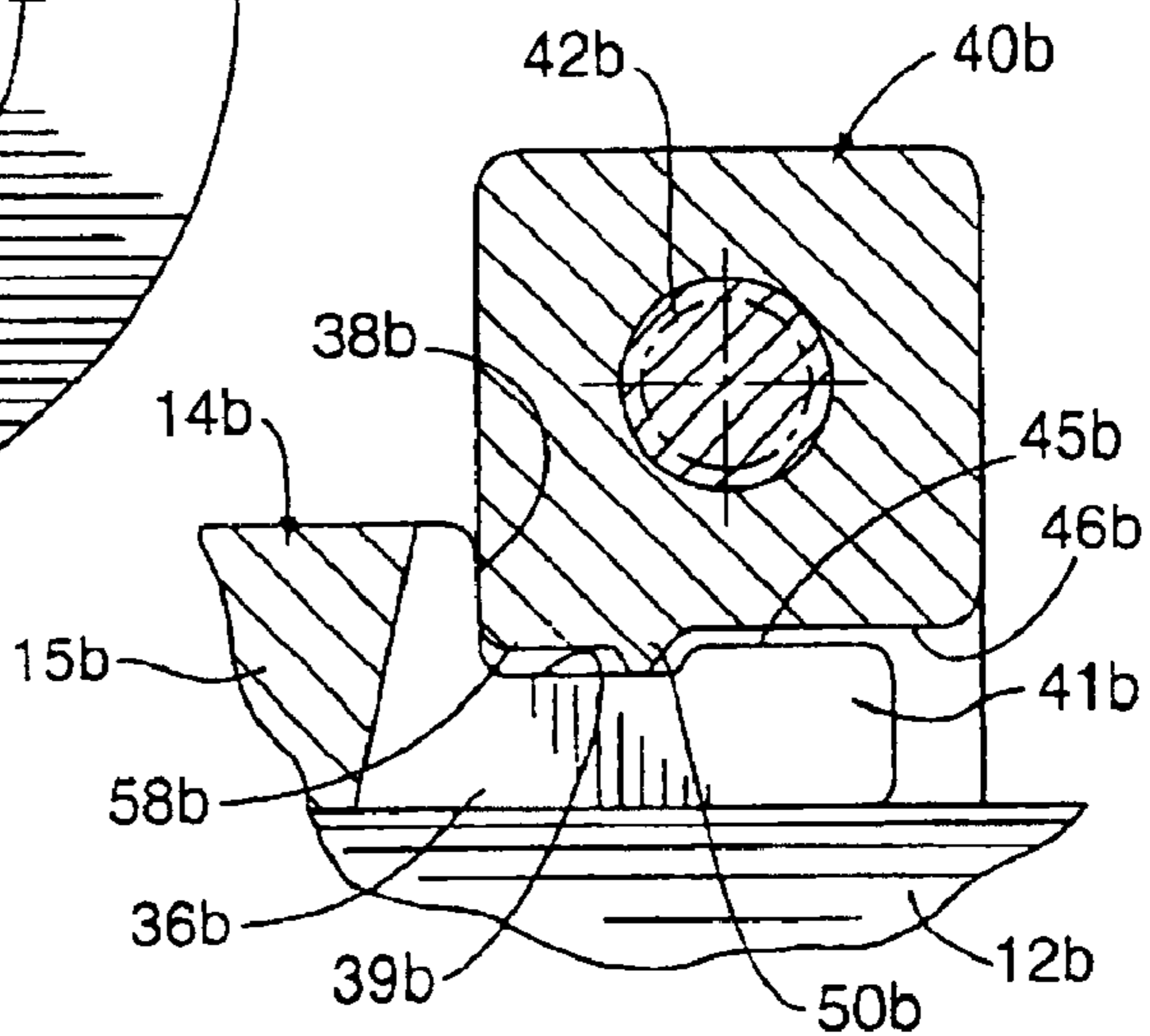


FIG. 7

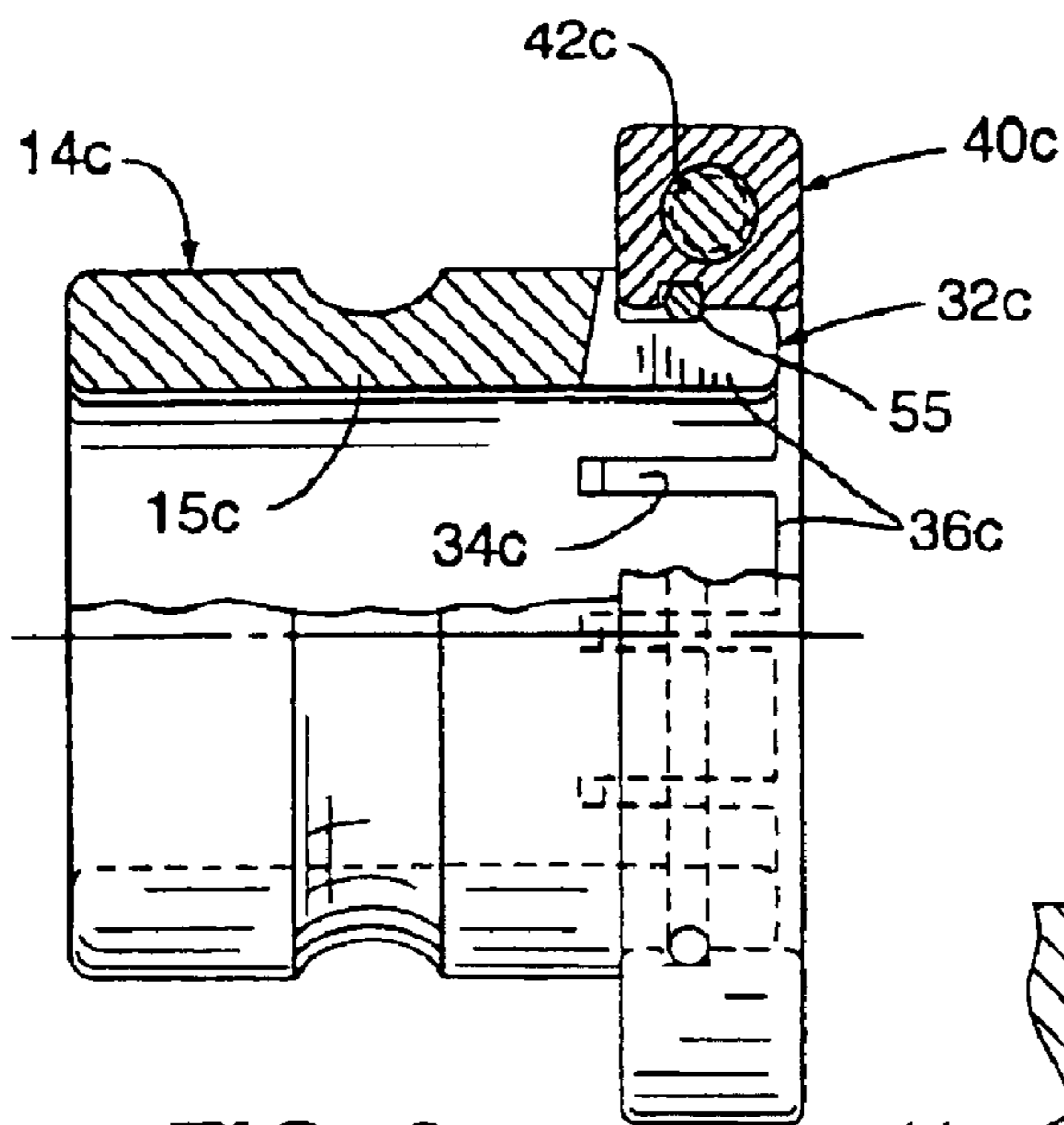


FIG. 8

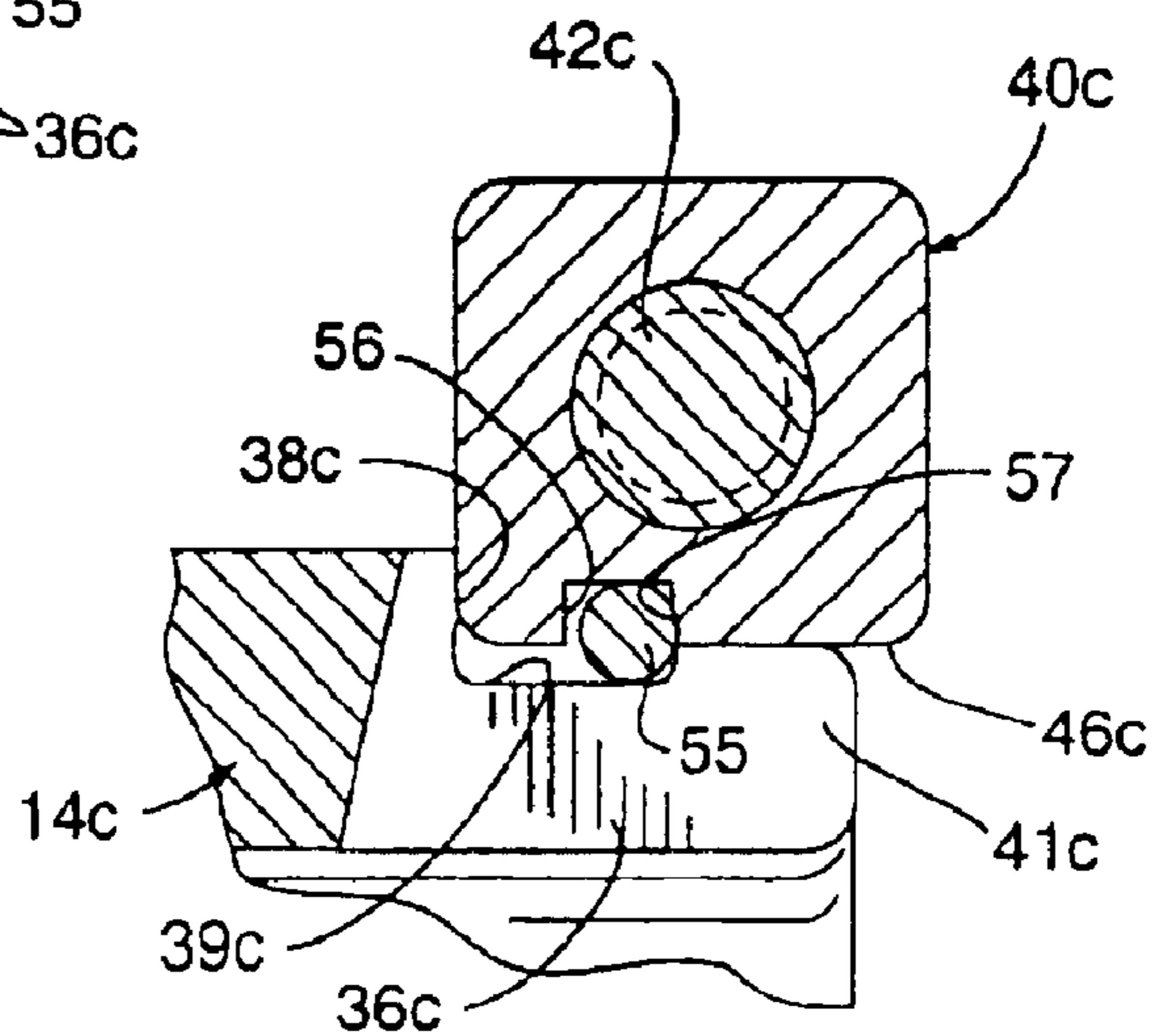


FIG. 9

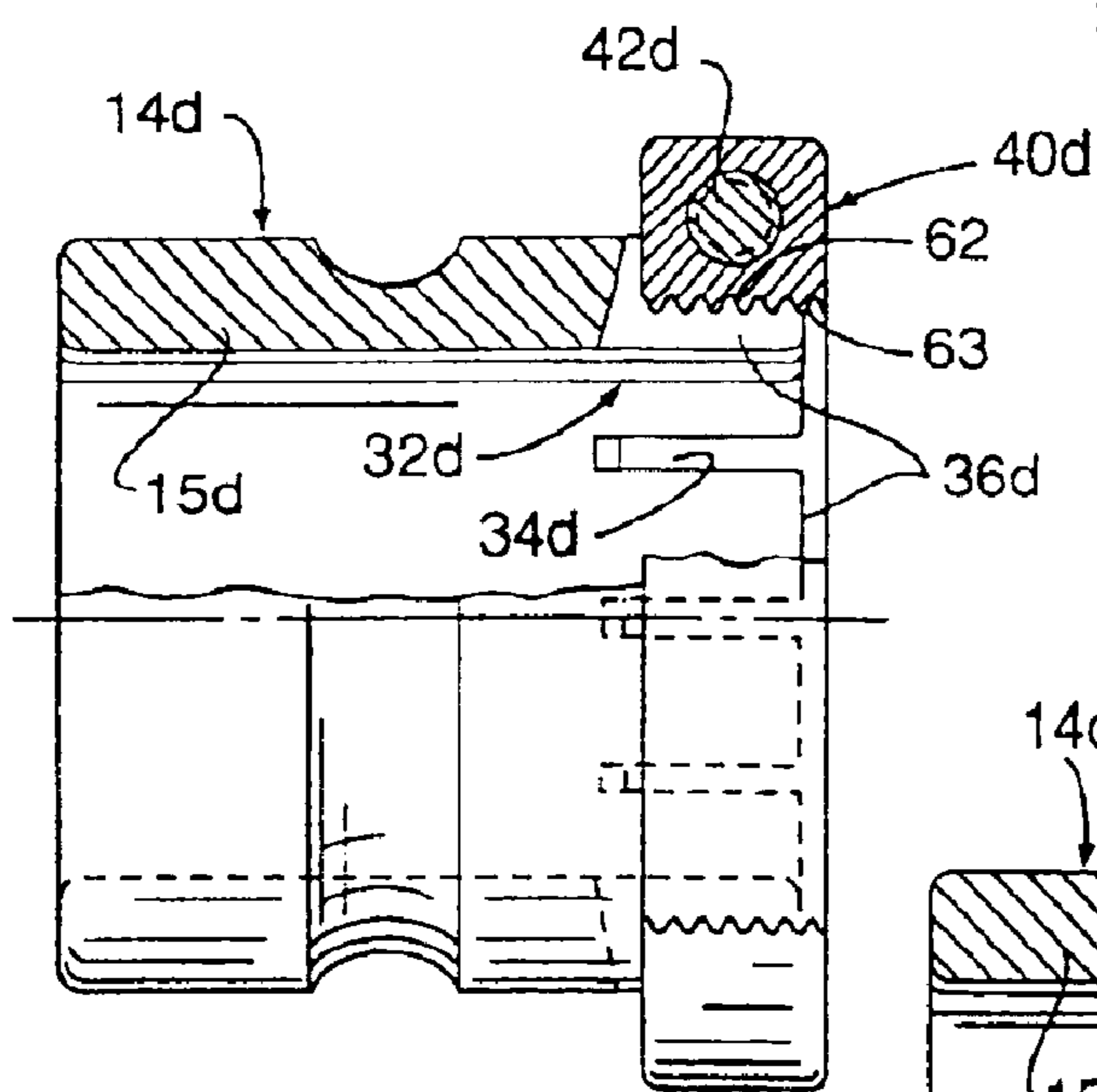


FIG. 10

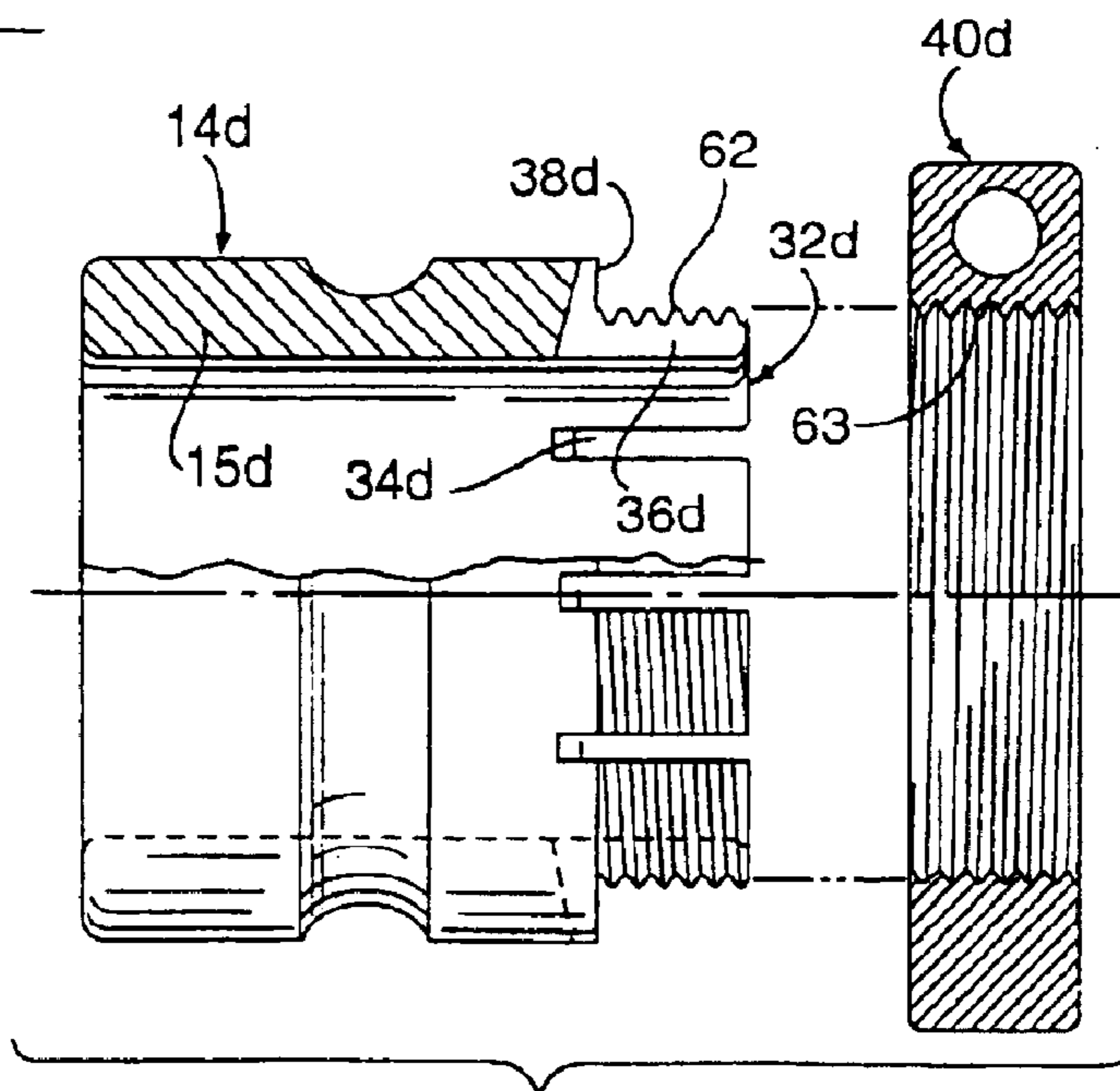


FIG. 11

SHAFT LOCKING DEVICE FOR BEARING ASSEMBLIES

Matter enclosed in heavy brackets [] appears in the original patent but forms no part of this reissue specification; matter printed in italics indicates the additions made by reissue.

This is a divisional application of U.S. patent application Ser. No. 09/235,691, filed Jan. 22, 1999, now U.S. Pat. No. 6,200,039, *which is a divisional application of U.S. application Ser. No. 08/798,284, filed on Feb. 7, 1997, now U.S. Pat. No. 5,863,137.*

FIELD OF THE INVENTION

The present invention relates to bearing assemblies, and more particularly, to a bearing assembly having improved means for securing the inner bearing ring of the assembly onto a shaft.

BACKGROUND OF THE INVENTION

Various arrangements are known in the art for securing the inner bearing ring of a bearing assembly onto a rotating shaft. Such arrangements have included shaft engaging set screws and shaft-surrounding locking collars. Such locking collars include locking or tightening means, generally in the form of one or more locking screws. In the so-called SKWEZLOC® arrangement disclosed in U.S. Pat. Nos. 4,537,519 and 4,728,203, the inner ring has finger extensions which, when compressed with a screw operated locking collar, tightly grip and hold the shaft. This finger extension/locking collar combination enhances the concentricity of the inner ring with the shaft and facilitates rotation of the shaft at higher speeds.

Arrangements which utilize shaft-surrounding locking collars, however, have various shortcomings. Inasmuch as the locking collar is a separate component from the inner bearing ring, the locking collar can become separated from the bearing assembly and lost or mislaid. Moreover, if the locking collar is not properly disposed on the inner bearing ring during assembly, the collar may not adequately secure the inner bearing ring to the shaft. For example, if the collar is slightly cocked on the inner bearing as it is tightened, it will align itself after the shaft is rotated. This causes the collar to become loose on the inner bearing, resulting in slippage between the inner bearing ring and the shaft when subjected to radial and/or axial loads. The problems of mounting and retaining such locking collars are compounded if the collar comprises a multiplicity of segments which must be properly positioned and tightened during installation.

SUMMARY OF THE INVENTION

In overcoming these problems with the prior art there is provided a bearing assembly wherein the locking collar may be efficiently pre-assembled on the inner bearing ring at the factory and remain properly positioned on the inner bearing ring during installation onto a shaft. In this way, the collar may not be readily separated from the bearing assembly and mislaid. Moreover, this preassembly ensures that the collar is in proper position on the inner bearing ring which facilitates subsequent reliable installation of the collar and inner bearing ring on the shaft.

In accomplishing these objectives, the inner diameter of the compressible annular locking collar is provided with a protrusion which extends radially inwardly. When the lock-

ing collar is disposed about the finger extensions of the inner ring, the protrusion is disposed within a recessed groove which extends at least partially along the collective outer annular surface defined by the finger extensions for precisely locating and orienting the collar. According to a feature of the invention, when the inner ring finger extensions and the locking collar are in their free states, the inner diameter of the protrusion is slightly smaller than the outer diameter of the finger extension groove. In this way, the collar may be snapped over the finger extensions and into proper position on the inner ring prior to installation on a shaft, i.e., in the factory. The locking collar then remains in proper position on the finger extensions as the bearing assembly subsequently is installed onto the shaft. In one embodiment, a one-piece locking collar body has an integrally formed protrusion adapted for snap action engagement with a finger extension recess, in another embodiment the locking collar has separate resilient O-ring engageable with the finger extension recess, and in another embodiment, the locking collar and finger extensions are formed with screws which permit threaded advancement of the locking collar into preassembled position. In each case, following preassembly of the bearing assembly on a shaft, a locking screw may thereafter be tightened to deform the finger extensions into secure engagement with the shaft.

These and other features and advantages of the invention will be more readily apparent upon reading the following description of preferred exemplified embodiments of the invention and upon reference to the accompanying drawings wherein:

BRIEF DESCRIPTION OF THE DRAWINGS

FIG. 1 is a perspective of a bearing assembly in accordance with the present invention;

FIG. 2 is an enlarged side elevational view of the bearing assembly shown in FIG. 1, partially cut away;

FIG. 3 is an enlarged fragmentary section of a portion of the bearing assembly of FIGS. 1 and 2, showing the relative position of the inner ring finger extensions and the locking collar as the latter is snapped over the ring extensions;

FIG. 4 is a view similar to FIG. 3 showing the relative position of the ring finger extensions and locking collar upon tightening of the collar;

FIG. 5 is an enlarged cross sectional view of a portion of a bearing assembly according to a second embodiment of the invention;

FIG. 6 is an enlarged cross sectional view of a portion of a bearing assembly according to a third embodiment of the invention;

FIG. 7 is a plan view of the locking collar shown in FIG. 6.

FIG. 8 is a fragmentary section of an alternative locking collar mounting and retaining arrangement according to the present invention;

FIG. 9 is an enlarged fragmentary section of the locking collar and inner bearing ring shown in FIG. 8;

FIG. 10 is still another alternative locking collar mounting and retaining arrangement; and

FIG. 11 is an exploded view of the locking collar and inner bearing ring shown in FIG. 10.

While the invention is susceptible of various modifications and alternative constructions, certain illustrated embodiments thereof have been shown in the drawings and will be described below in detail. It should be understood, however, that there is no intention to limit the invention to

3

the specific forms disclosed, but on the contrary, the intention is to cover all modifications, alternative constructions and equivalents falling within the spirit and scope of the invention.

DETAILED DESCRIPTION OF PREFERRED EMBODIMENTS

Referring now more particularly to FIGS. 1 and 2 of the drawings, there is shown an illustrative bearing assembly 10 embodying the present invention mounted on a shaft 12 (shown in phantom). The bearing assembly 10 includes an annular inner ring 14 having a grooved raceway 16 formed in a main body portion 15 thereof. Surrounding the inner ring 14 in spaced relation thereto is an annular outer ring 18 having a grooved raceway 20 disposed in opposed relationship to the inner raceway 16, the raceways 16, 20 serving to receive in nesting relationship a plurality of spaced balls or rolling elements 22. The rolling elements 22 in this case are disposed in rolling element pockets of a conventional cage 24. Preferably, the inner and outer raceways are wear hardened for extending the life of the bearing.

While not illustrated in the drawings, the assembly 10 includes a convention means for lubricating movement of the rolling elements 22. To maintain lubrication to the rolling elements 22, the space between the inner and outer bearing rings 14, 18 is sealed by annular inner and outer fingers 26, 28 with annular seals 30 therebetween. The inner and outer fingers 26, 28 are press-fitted on the inner and outer bearing rings 14, 18, respectively, on either side of rolling element cage 22.

To facilitate mounting of the bearing assembly 10 to the shaft 12, the inner bearing ring 14 is provided with a compressible annular portion 32 having a reduced diameter and which extends from the main body portion 15. To maximize radial compression of the extended annular portion 32, the portion 32 is preferably provided with a plurality of axial slots 34 which define a plurality of finger-like extensions 36 from a shoulder 38 of the main body portion 15 of inner ring 14. The slots 34 preferably are parallel to the axis of rotation of the shaft 12 to provide the most desirable attachment and performance characteristics.

The finger extensions 36 in this case are formed with an area of reduced thickness defined by a groove or recess 39 which extends annularly around the outer periphery of the finger extensions 36. This area of reduced thickness or bending groove 39, which is spaced axially inwardly from the distal ends of the finger extensions 36, permits a slight bending of the finger extensions 36 to facilitate securing the inner ring 14 to the shaft 12, as disclosed in U.S. Pat. No. 4,537,519. The groove 39 in this case defines raised lip 41 having an outer cylindrical surface 45 at the ends of the finger extensions 36.

For securing the bearing assembly 10 on the shaft 12, a one piece locking collar 40 is concentrically disposed about the extended annular portion 32. To permit tightening of the locking collar 40 about the shaft 12, a locking screw 42 is threaded tangentially through the collar 40 normal to a slot or gap 43 between the ends of the collar. The screw 42 is recessed into the locking collar 40 and preferably receives an hexagonal wrench (not shown). It will be appreciated that, by tightening the screw 42, the ends of the locking collar 40 at the slot or gap 43 (see FIG. 1) are drawn toward one another to effectively reduce the inner diameter of the collar 40 and to radially compress the finger extensions 36 of the inner ring 14 into secure engagement with the shaft 12.

4

To facilitate proper positioning and alignment of the collar 40 onto the inner ring 14, the breadth of collar 40 is preferably substantially equal or, as shown in the embodiments illustrated, slightly larger than the length of the finger extensions 36 to ensure that optimum locking force will be applied to the finger extensions 36. The breadth of the bending groove 39 in the finger extensions 36 preferably is on the order of one half the length of the finger extensions 36 to one half the breadth of the locking collar 40.

The collar 40 may be properly aligned or "squared" by exerting a force on an outer side of the collar 40 to ensure that the collar 40 is fully seated against the shoulder 38 of the inner ring 14. In this way, one can visually determine if the collar 40 and the distal ends of the finger extensions 36 are in the appropriate physical relationship. It will be appreciated by one skilled in the art that if the screw 42 is tightened when the collar 40 is not yet fully or properly sealed on the inner ring, the collar 40 may become loose during rotation of the shaft. As a result, when the collar 40 eventually seats itself during use, the collar 40 will no longer provide the required locking force.

In accordance with the invention, the locking collar 40 has an inwardly directed protrusion adapted for locating and positively retaining the locking collar in properly oriented mounted position on the inner bearing ring for reliable long term usage. To this end, in the illustrated embodiment, as shown in FIGS. 3 and 4, the locking collar has an inner cylindrical mounting surface 46 adapted for mounting on the cylindrical surface 45 of the finger extension lips 41 and an integrally formed inwardly directed wedge shaped protrusion 50 which defines a locking ledge 51 and an inclined camming surface 52 which tapers radially outwardly from the ledge 51. The distance between the locking ledge 51 and the axial side of the clamping collar 40 positioned against inner ring shoulder 38 corresponds substantially to the axial length of the groove 39 such that upon positioning of the protrusion into the groove 39, the collar 40 is precisely located and retained within the groove 39 between the shoulder 38 of the inner bearing ring and the upturned lips 41 of the finger extensions 36. Hence, the groove 39 in this case serves a dual function as a weakening recess for the finger extensions and a lock receiving and orienting groove for the collar 40.

In keeping with the invention, the locking collar 40 is adapted for efficient snap action preliminary factory assembly onto the inner ring 14. To this end, the protrusion 50 of the clamping collar 40 has an inner diameter that is slightly less than the outer diameter of the finger extension lips 41. In order to assemble the collar 40, it is first positioned into slightly surrounding relation to the finger extension lip 41. To this end, a lead edge 58 of the camming surface 52 is slightly larger than the outer diameter of the finger extension lips 41. The collar 40 may then be advanced onto the finger extensions 36, with the angled or camming surface 52 of the protrusion advancing along the finger extensions 36 slightly flexing the fingers in an inward direction and the collar outwardly. As the protrusion 50 moves past the finger extension lip 41, the finger extensions 36 and the locking collar 40 return or "snap back" to their original conditions, as shown in FIG. 3, automatically locating and orienting the locking collar 40 in position on the inner ring and positively preventing its removal.

In this way, the bearing assembly 10 may be preassembled in the factory and shipped to a customer or installation site with the collar 40 properly oriented. When the bearing assembly 10 is subsequently mounted on a shaft, the locking collar screw 42 simply may be tightened to securely lock the

5

assembly on the shaft, essentially eliminating the possibility of misplacing the collar **40** during handling or incorrectly positioning the collar onto the inner bearing ring during installation. It will be appreciated that while in the embodiment of FIGS. 1-4, the protrusion **50** and the recess **39** extend circumferentially completely around the locking collar **50** and inner ring **14**, alternatively, the protrusions and recesses may be provided at circumferentially spaced locations.

Referring now to FIG. 5, there is shown an alternative embodiment of the invention wherein items similar to those described above having similar reference numerals with the distinguishing suffix "a" added. In this embodiment, the outer cylindrical surface **45a**, defined the finger extension lips **41a**, and the inner cylindrical mounting surface **46a** of the collar **40a** are formed with cooperating detents for releasable snap action inter-engagement and alignment of the components during assembly. In this instance, the inner cylindrical surface **46a** of the collar **40a** is formed with an outwardly rounded or arcuate-shaped protrusion **50a** and the outer surface **45a** of the lips **41a** is formed with a complimentary shaped recess **60** for receiving the protrusion **50a**.

The protrusion **50a** preferably is located at a distance from the side of the collar which seats against the inner ring shoulder **38a** corresponding substantially to the distance of the recess **60** from the shoulder **38a**. The protrusion **50a** of the collar **40a** again has an inner diameter that is less than the diameter of the finger extension lips **41a** with the curved configuration of the arcuate-shaped protrusion **50a** serving to cam and force the finger extensions **36a** and collar **40a** apart during assembly to facilitate snap action engagement therebetween when the collar **40a** is properly seated on the inner ring **14a** against the shoulder **38a**. Again, preliminary factory assembly of the locking collar **40a** may be efficiently effected with the collar being properly located in mounted position for final tightening upon subsequent installation of the bearing assembly **10a** on a shaft.

Referring now to FIGS. 6 and 7, still another embodiment of the invention is shown, wherein items similar to those described above have been given similar reference numerals with the distinguishing suffix "b" added. In this embodiment, the collar **40b** has a generally V-shaped protrusion **50b** disposed at the juncture of inner cylindrical surfaces **46b**, **60** of the collar **40b**. The protrusion **50d** again has a smaller internal diameter than the lips **41b** of the finger extensions **36b** and is forced onto the finger extensions **36b** and into the groove **39b** with snap action engagement. The inner cylindrical surfaces **46b**, **58b** of the collar **40b** on opposite sides of the protrusion **50b** have different diameters so as to both be in close relationship with the cylindrical surface **45b** of the finger extension lips **41b** and the bottom surface of the groove **39b**, respectively.

In contrast to the first and second embodiments of the invention, in this embodiment the protrusion **50b** does not extend around the entire inner annular surface of the collar **40b**, but rather, only at discreet points, as shown in FIG. 6. It will be appreciated, however, that the interference between the collar **40b** and the finger extensions **36b** at these discrete points, which are preferably symmetrically disposed, is sufficient to retain the components together.

Referring now to FIGS. 8-9, there is shown another embodiment of the invention wherein items similar to those described above have been given similar reference numerals with the distinguishing suffix "c" added. In this embodiment, the protrusion of the locking collar **40c** is defined by a separate annular resilient member **55** carried within the

6

annular opening of the locking collar **40c**. The illustrated annular resilient member **55** is an O-ring disposed within a rectangular groove **56** formed in the inner cylindrical surface **46c** of the locking collar and sized so that a portion of the O-ring extends radially inwardly beyond the annular surface **46c** to form a resilient protrusion. The cylindrical inner surface **46c** of the locking collar preferably is only slightly larger than the outer diameter of the finger extension lips **41c** such that upon positioning of the locking collar **40c** onto the finger extensions **36c** the O-ring **55** is forced substantially into the groove **56** and contained therein until reaching the recess or groove **39c** of the finger extensions **36c** at which time the O-ring **55** will snap into the recess for locating and retaining the locking collar **40c** in preassembled position adjacent the inner ring shoulder **38c**. The distance between side of the locking collar positionable against the inner ring shoulder **38c** and the locking collar groove **56** corresponds substantially to the axial length of the finger extension groove **39c** such that upon snap action engagement of the O-ring **55** into the groove **39c** the locking collar **40c** is located against the shoulder **38c**. Following such preassembly of the locking collar **40c**, the locking screw **42c** can be tightened to deform the finger extensions **36c** into secure engaging relationship with the shaft upon which it is mounted.

Referring now to FIGS. 10-11 still another alternative embodiment of bearing assembly is shown wherein items similar to those described above have been given similar reference numerals with the distinguishing suffix "d" added. In this embodiment, the inner cylindrical surface of the locking collar **40d** and the outer surface of the finger extensions **36d** are formed with cooperating threads **62**, **63**, respectively, which enable the locking collar **40d** to be rotatably threaded onto the finger extensions **36d** until reaching its preassembly position in abutting relation with the inner ring shoulder **38d**. The threads **62**, **63** in this case form protrusions which retain the locking collar **40d** in preassembled position. Again, following such preassembly, tightening of the locking screw **42d** will deform the finger extensions into secure engagement with the shaft upon which the bearing assembly is mounted.

In summary, it will be seen from the foregoing that the invention provides a unique bearing assembly locking arrangement wherein the locking collar may be preassembled onto the inner bearing ring in the factory. The locking collar is provided with a protrusion along its inner annular surface, and the finger extensions of the inner ring are provided with a mating groove. Both the groove and the protrusion may be of various sizes and shapes, extending completely or partially along the annular surface, so long as the groove and protrusions are relatively sized so that there is an interference between the components when in their free state. In this way, when the collar is preassembled onto the inner bearing ring, the collar is held in the proper position for subsequent installation and tightening onto a shaft.

What is claimed is:

1. A bearing assembly comprising an inner ring for mounting on a shaft, an outer ring disposed concentrically about said inner ring, a plurality of rolling elements interposed between said inner and outer rings, said inner ring including finger extensions extending axially from a side thereof, a collar comprising a lone piece annular compressible member positionable circumferentially about said finger extensions, said finger extensions having an outer periphery formed with threads, said one piece annular member having an inner annular mounting surface formed with threads that are engageable with said finger extension threads for per-

7

mitting said annular member to be rotatably threaded on to said finger extensions to a preassembled position, and said annular member having a fastening screw operable for causing said annular member to compress said finger extensions into locking engagement with a shaft following pre-assembled positioning thereon. 5

8

2. The bearing assembly of claim 1 in which said inner ring is formed with a locating shoulder, and said annular member is rotatably threaded onto said finger extensions into abutting engagement with said locating shoulder.

* * * * *