



US00RE38997E

(19) **United States**
(12) **Reissued Patent**
Iwasaki

(10) **Patent Number: US RE38,997 E**
(45) **Date of Reissued Patent: Feb. 28, 2006**

(54) **INFORMATION STORAGE AND
INFORMATION PROCESSING SYSTEM
UTILIZING STATE-DESIGNATING MEMBER
PROVIDED ON SUPPORTING CARD
SURFACE WHICH PRODUCES
WRITE-PERMITTING OR
WRITE-INHIBITING SIGNAL**

FOREIGN PATENT DOCUMENTS

DE	43 22 666 A1 *	1/1994
EP	0 214 478 *	3/1987
EP	0 588 517 A1 *	3/1994
EP	0 622 760 A1	11/1994
EP	0 708 429 A1 *	4/1996
GB	818554 *	8/1959
GB	2 208 029 A	2/1989
GB	2 208 029 *	2/1989
JP	52-130729	11/1977
JP	58-155058	10/1983
JP	1-148368	10/1989
JP	1-279481	11/1989
JP	02-006189	1/1990
JP	64-55691 *	3/1990
JP	4-16396 *	1/1992
JP	5-16368	3/1993

(75) Inventor: **Hiroshi Iwasaki, Yokohama (JP)**

(73) Assignee: **Kabushiki Kaisha Toshiba (JP)**

(21) Appl. No.: **09/826,896**

(22) Filed: **Apr. 6, 2001**

Related U.S. Patent Documents

Reissue of:

(64) Patent No.: **6,145,023**
Issued: **Nov. 7, 2000**
Appl. No.: **08/592,508**
Filed: **Jan. 26, 1996**

(30) **Foreign Application Priority Data**

Feb. 3, 1995 (JP) 7-017185

(51) **Int. Cl.**
G06F 13/12 (2006.01)
G11B 23/03 (2006.01)

(52) **U.S. Cl.** **710/13; 710/8; 340/870.16;**
361/684; 361/737; 455/41; 360/133

(58) **Field of Classification Search** **710/13,**
710/8; 340/870.16; 361/684, 737; 455/41;
360/133

See application file for complete search history.

(56) **References Cited**

U.S. PATENT DOCUMENTS

4,264,917 A * 4/1981 Ugon
4,703,420 A * 10/1987 Irwin
4,837,628 A * 6/1989 Sasaki

(Continued)

OTHER PUBLICATIONS

European Patent Office Publication, Patent Abstracts of Japan, Publication No. 63137387, dated Jun. 9, 1988.*

Primary Examiner—Jeffrey Gaffin

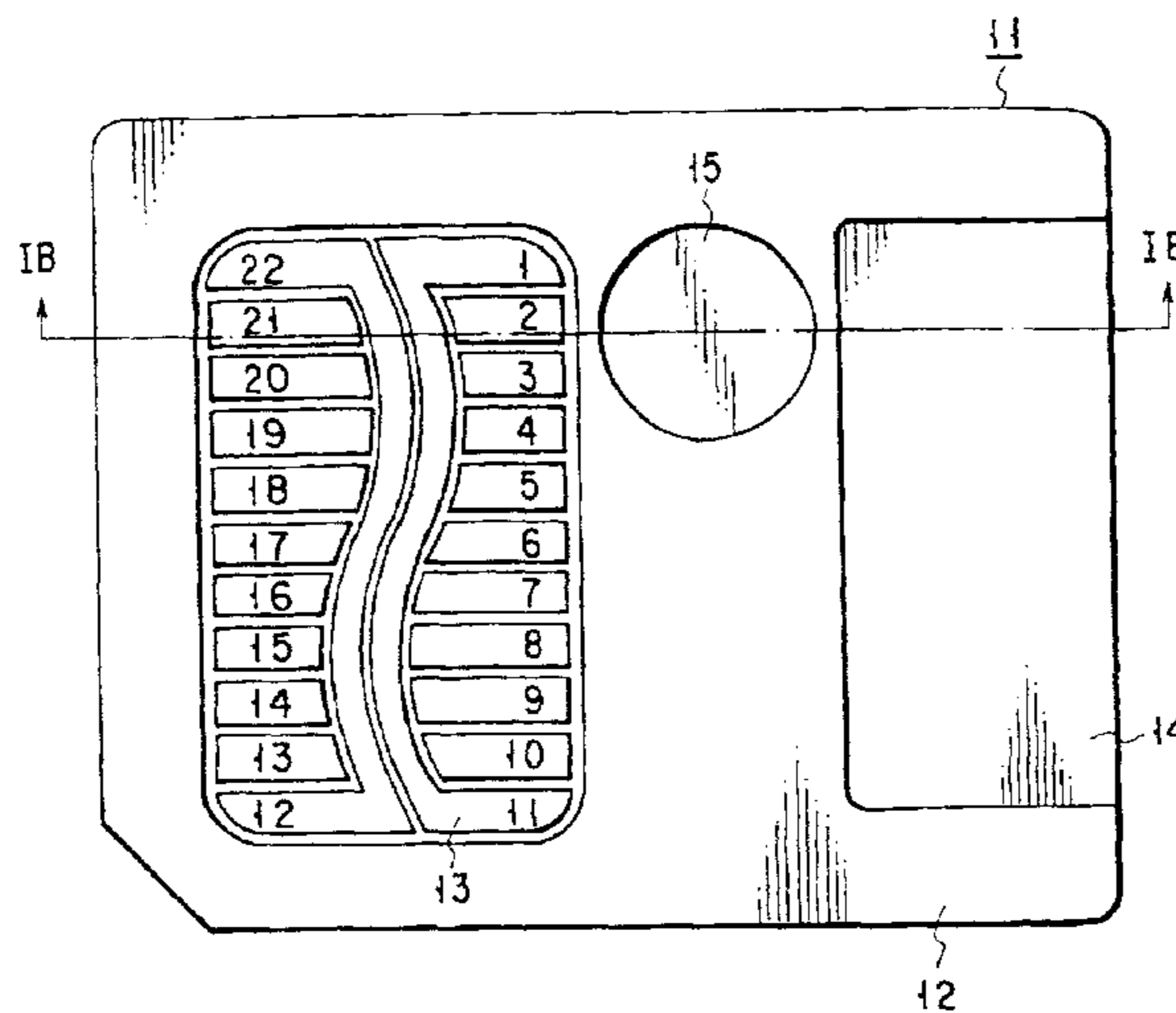
Assistant Examiner—Rehana Perveen

(74) *Attorney, Agent, or Firm*—Finnegan, Henderson, Farabow, Garrett & Dunner, LLP

(57) **ABSTRACT**

In a small and thin memory module for sharing data among electronic devices such as information processing apparatuses, a write prohibit state can be visually recognized. A conductive seal is attached to a predetermined position on a support member, thereby setting the memory module in the write prohibit state. The conductive seal visually indicates the write prohibit state. When the memory module is mounted in a connector section of a card-shaped holder, connector pins are electrically connected to each other via the conductive seal. That, a write prohibit mechanism is realized at low cost.

36 Claims, 4 Drawing Sheets



U.S. PATENT DOCUMENTS

4,860,127	A *	8/1989	Takahashi et al.	5,488,433	A *	1/1996	Washino et al.
4,860,142	A *	8/1989	DiGiesi	5,508,971	A *	4/1996	Cernea et al.
4,882,702	A *	11/1989	Struger et al.	5,509,018	A *	4/1996	Nijima et al.
4,916,662	A *	4/1990	Mizuta	5,535,328	A *	7/1996	Harari et al.
4,943,464	A *	7/1990	Gloton et al.	5,539,600	A *	7/1996	Lee et al.
4,980,856	A *	12/1990	Ueno	5,550,709	A *	8/1996	Iwasaki
5,018,017	A *	5/1991	Sasaki et al.	5,559,993	A *	9/1996	Elliott et al.
5,036,429	A *	7/1991	Kaneda et al.	5,563,825	A *	10/1996	Cernea et al.
5,153,818	A *	10/1992	Mukougawa et al.	5,566,105	A *	10/1996	Tanaka et al.
5,172,338	A *	12/1992	Mehrotra et al.	5,568,424	A *	10/1996	Cernea et al.
5,184,282	A *	2/1993	Kaneda et al.	5,572,466	A *	11/1996	Sukegawa
5,210,671	A *	5/1993	Blackston	5,572,478	A *	11/1996	Sato et al.
5,226,006	A *	7/1993	Wang et al.	5,584,043	A *	12/1996	Burkart
5,267,218	A	11/1993	Elbert	5,592,420	A *	1/1997	Cernea et al.
5,272,374	A *	12/1993	Kodai et al.	5,596,532	A *	1/1997	Cernea et al.
5,293,236	A *	3/1994	Adachi et al.	5,602,987	A *	2/1997	Harari et al.
5,297,029	A *	3/1994	Nakai et al.	5,608,673	A *	3/1997	Rhee
5,297,148	A *	3/1994	Harari et al.	5,611,057	A *	3/1997	Pecone et al.
5,299,089	A *	3/1994	Lwee	5,615,344	A *	3/1997	Corder
5,343,319	A *	8/1994	Moore	5,621,685	A *	4/1997	Cernea et al.
5,349,685	A	9/1994	Houlberg	5,638,321	A *	6/1997	Lee et al.
5,375,037	A *	12/1994	Le Roux	5,663,901	A *	9/1997	Wallace et al.
5,388,084	A *	2/1995	Itoh et al.	5,671,229	A *	9/1997	Harari et al.
5,430,859	A *	7/1995	Norman et al.	5,675,833	A	10/1997	Radko et al.
5,438,359	A *	8/1995	Aoki	5,693,570	A *	12/1997	Cernea et al.
5,457,590	A *	10/1995	Barrett et al.	5,727,005	A	3/1998	Le et al.
5,469,399	A *	11/1995	Sato et al.	5,857,059	A	1/1999	Yamagishi
5,475,441	A *	12/1995	Parulski et al.	5,887,145	A *	3/1999	Harari et al.

* cited by examiner

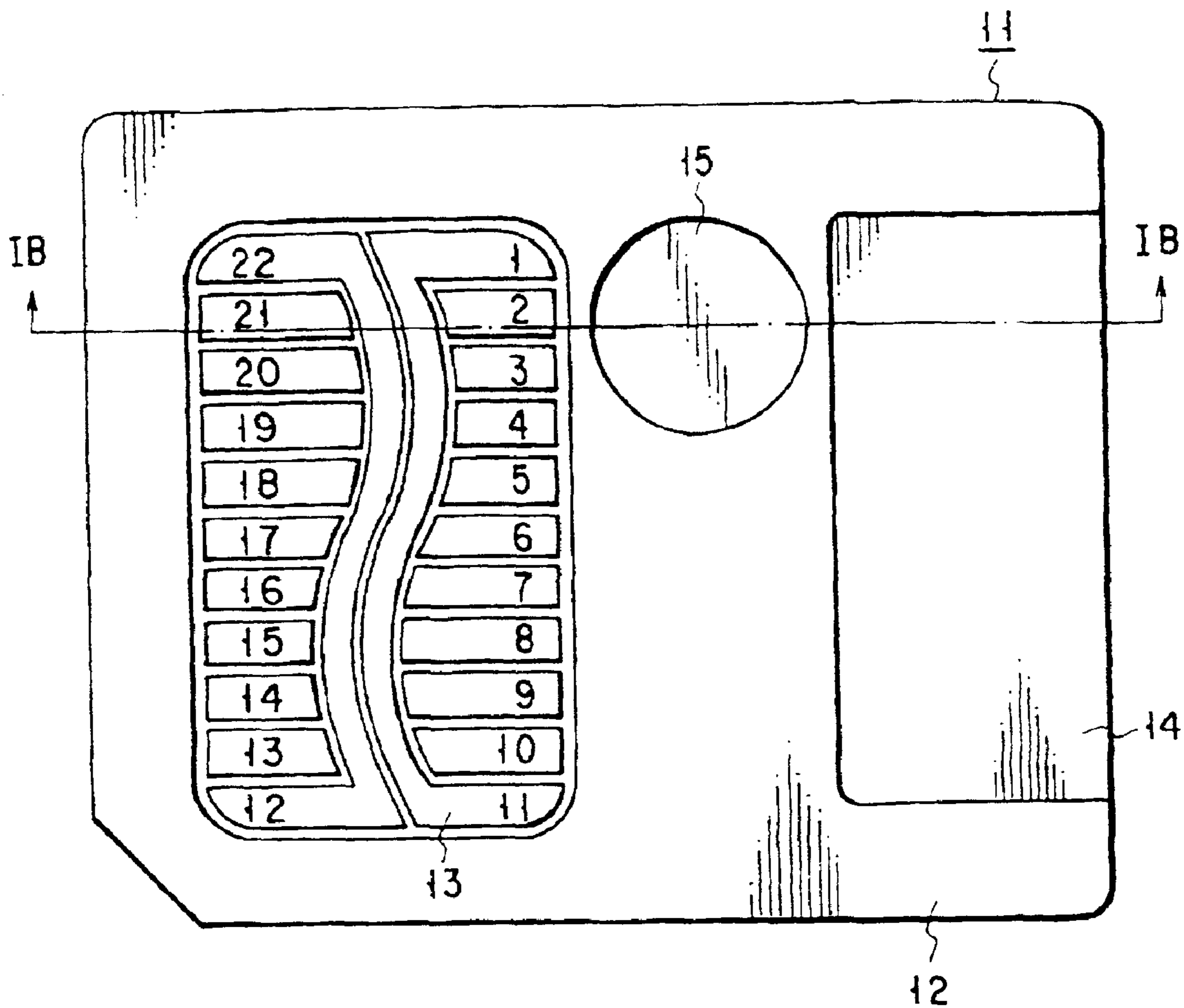


FIG. 1A

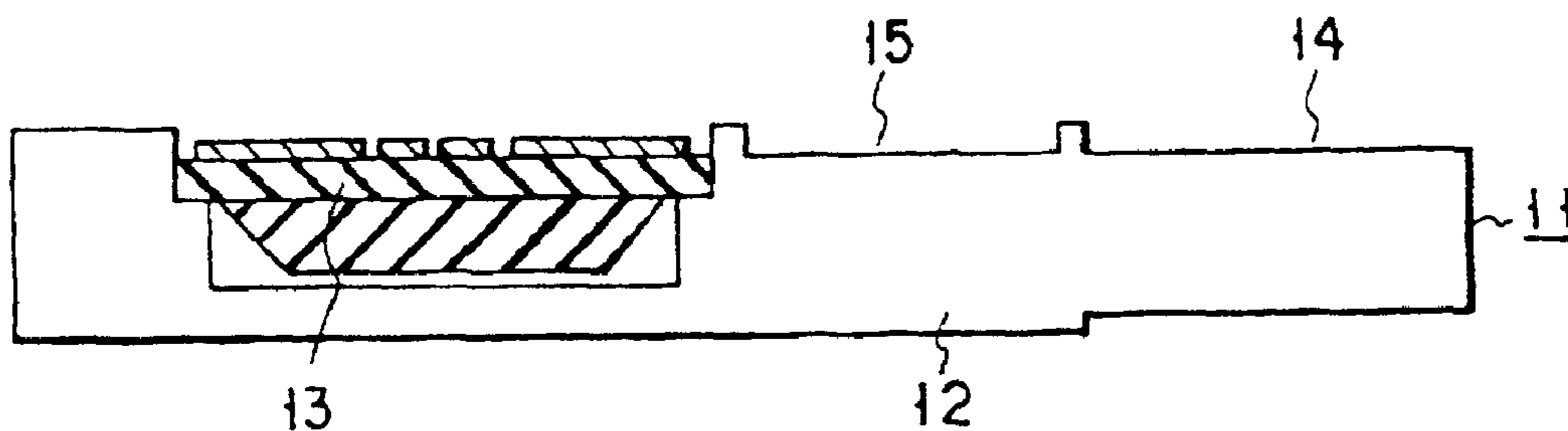


FIG. 1B

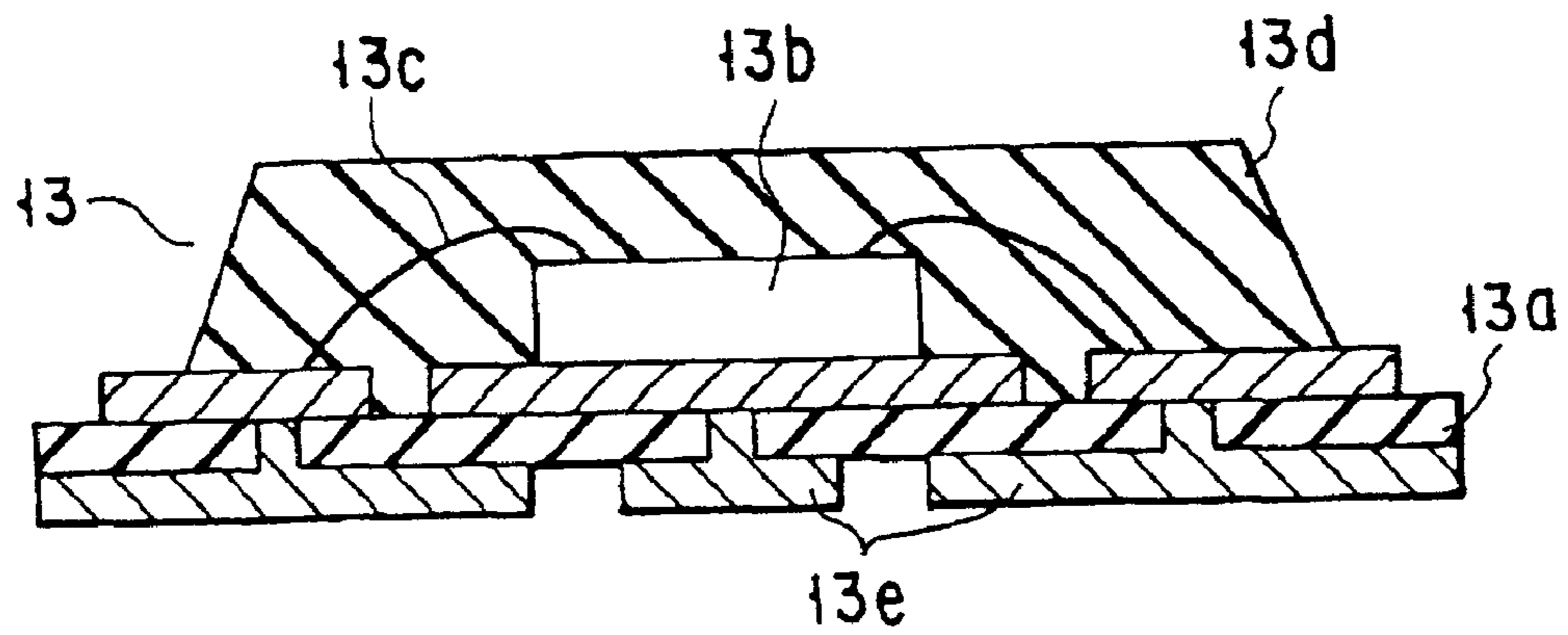
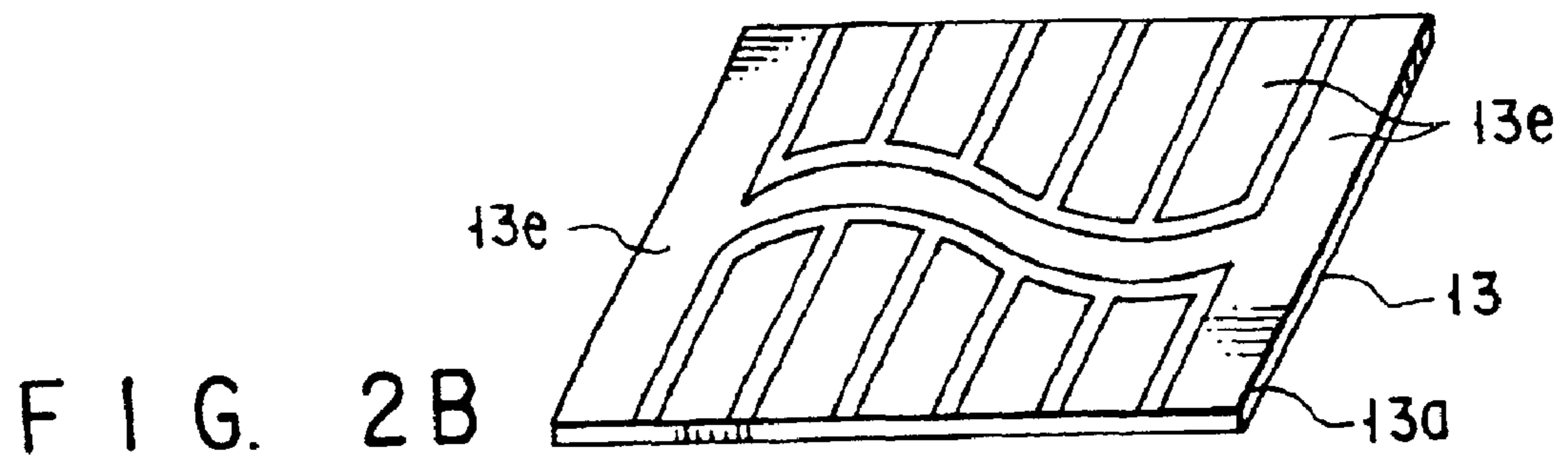
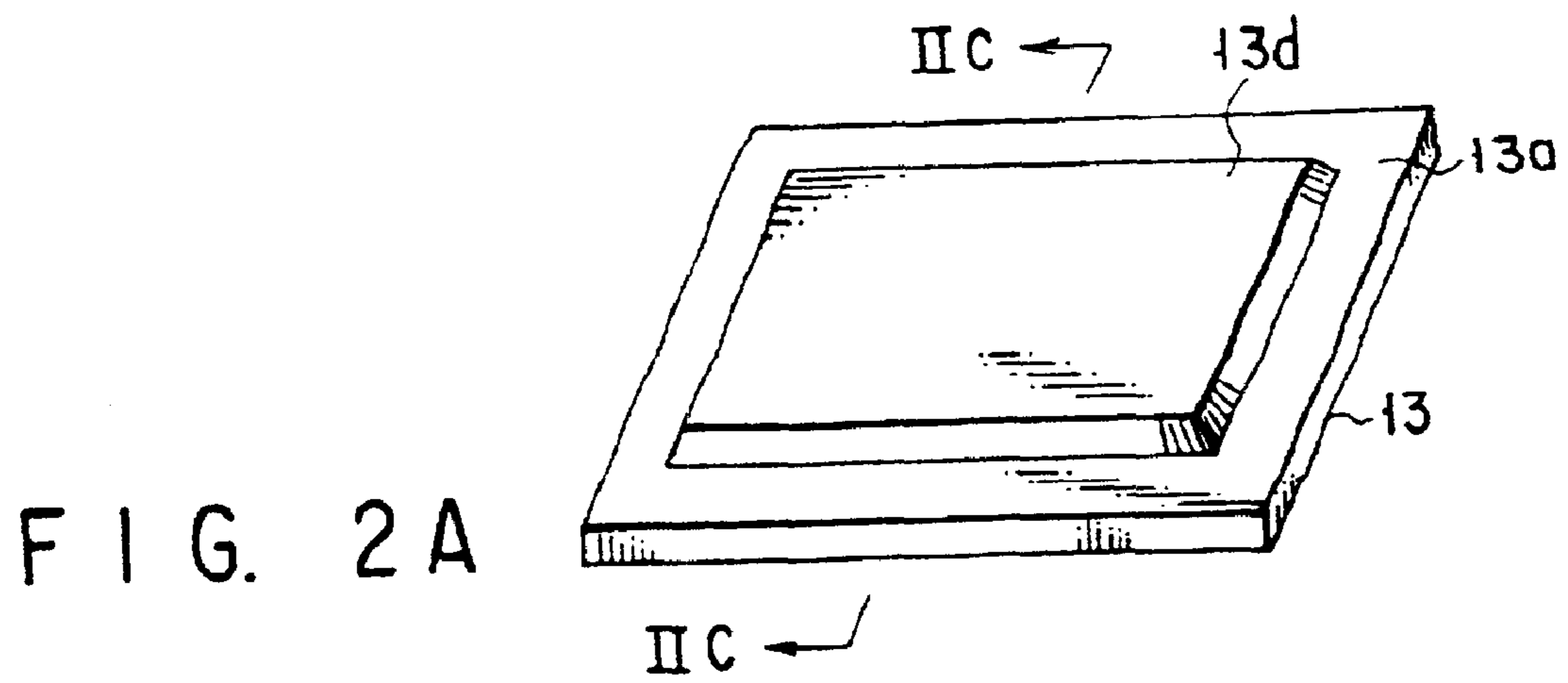
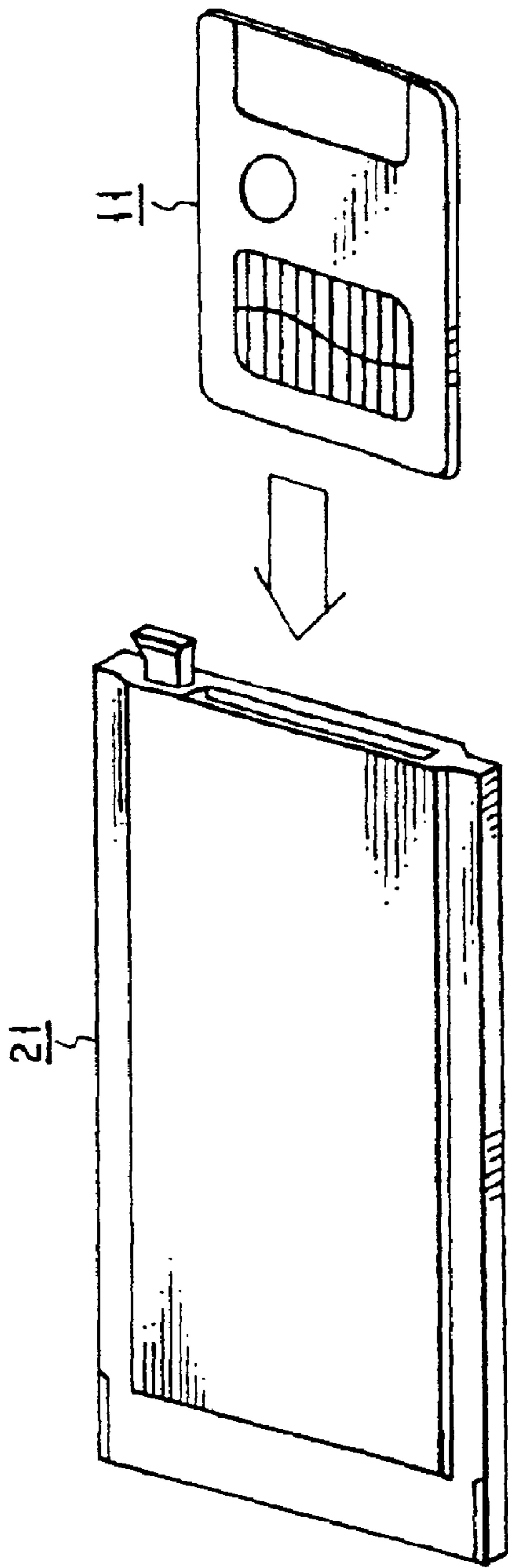


FIG. 2C



ELECTRONIC
DEVICE

FIG. 3

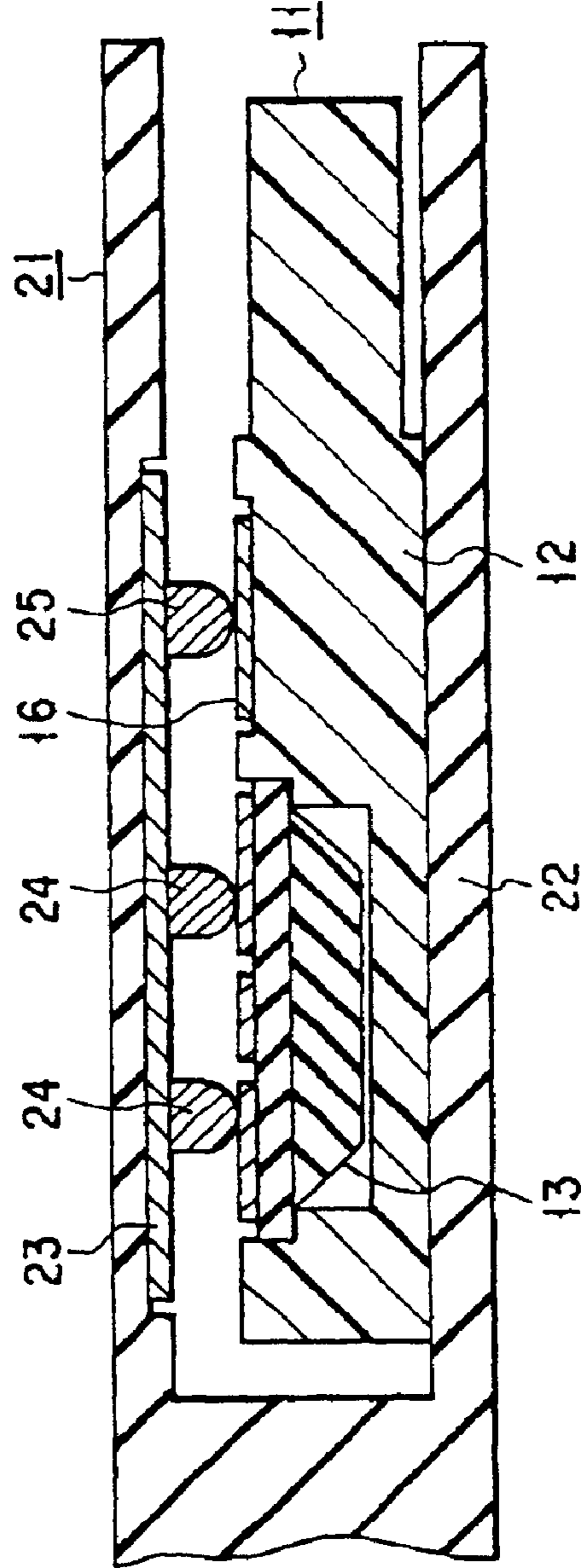


FIG. 4

FIG. 5A
PRIOR ART

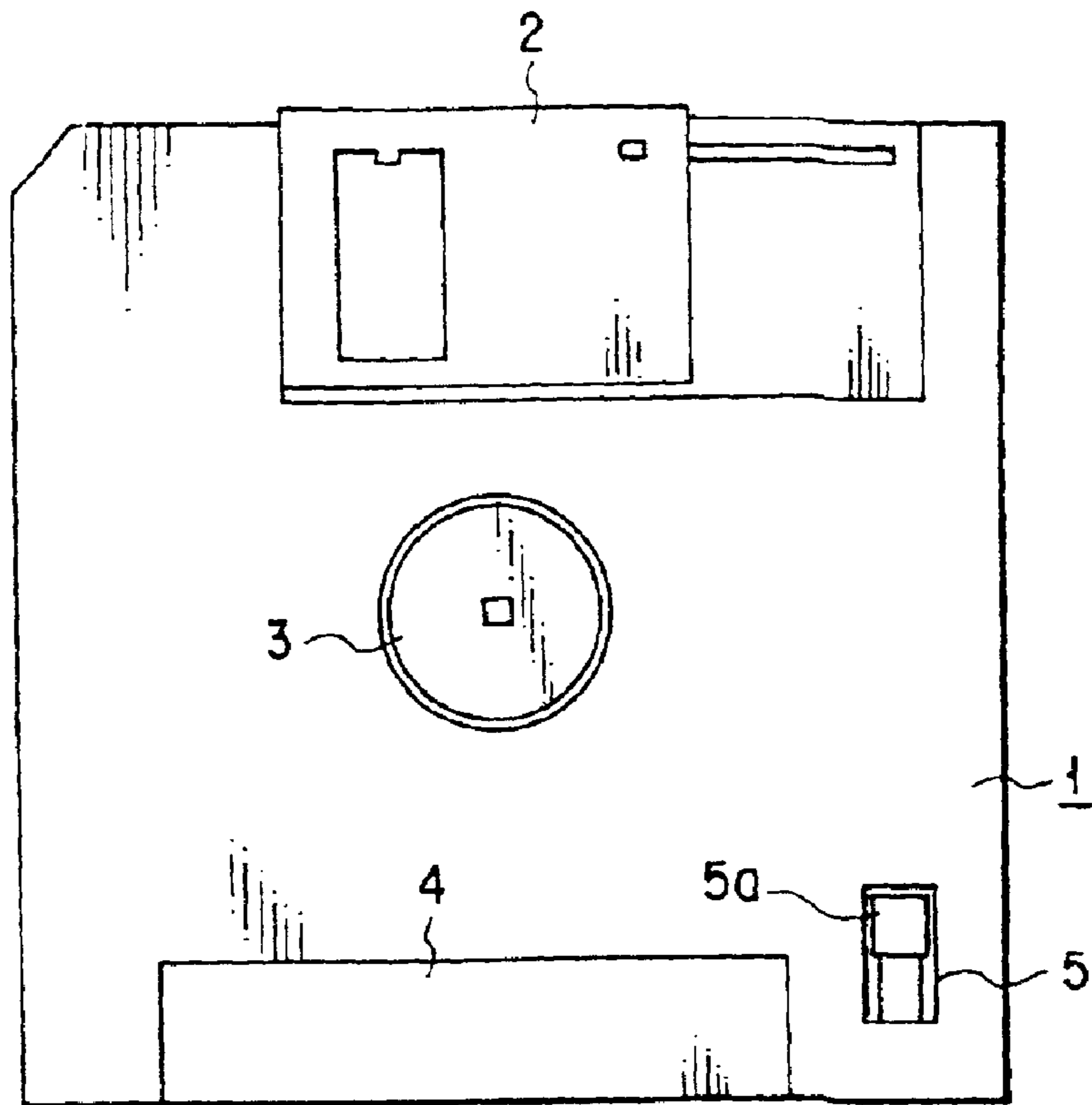
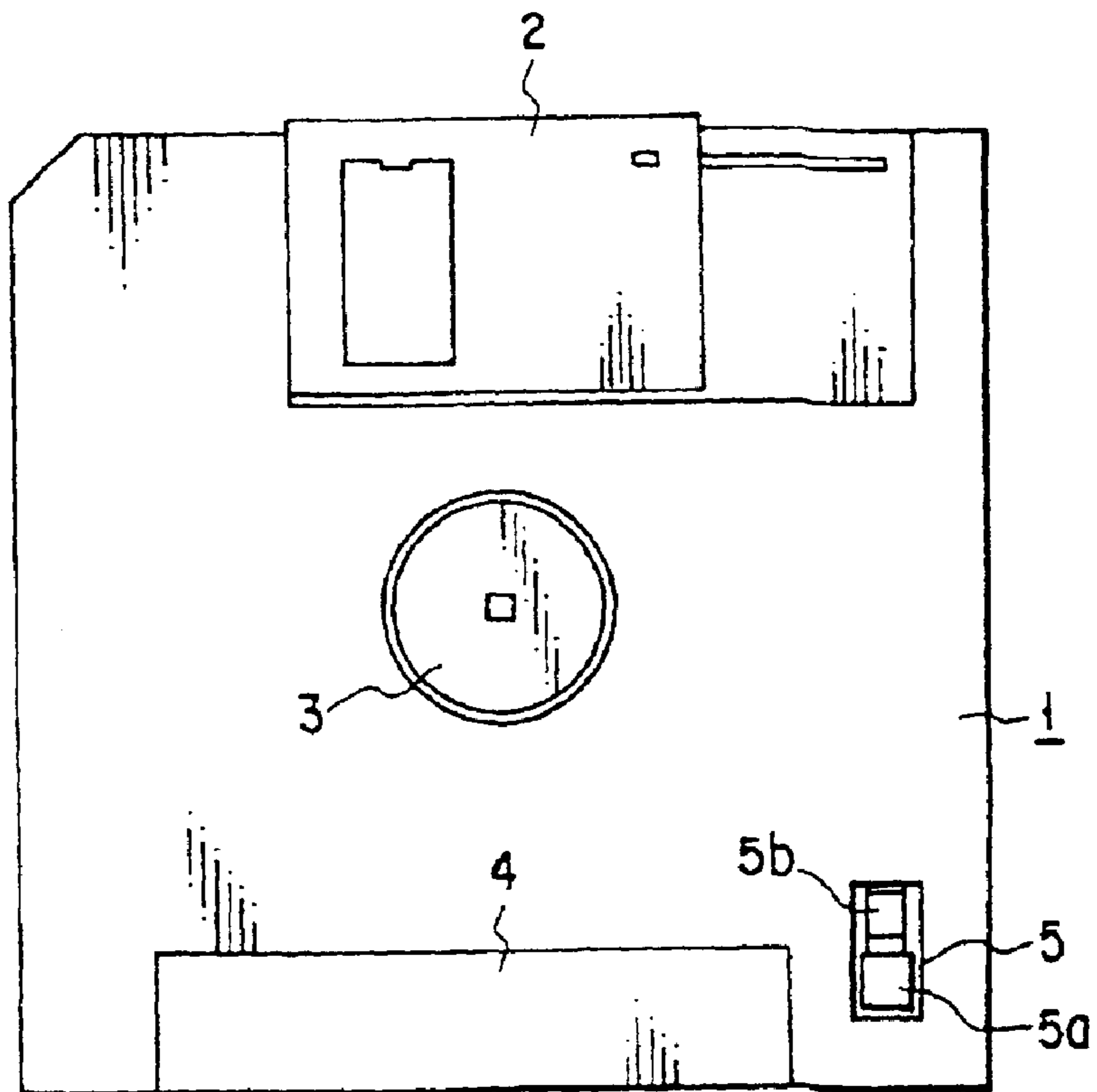


FIG. 5B
PRIOR ART



1

**INFORMATION STORAGE AND
INFORMATION PROCESSING SYSTEM
UTILIZING STATE-DESIGNATING MEMBER
PROVIDED ON SUPPORTING CARD
SURFACE WHICH PRODUCES
WRITE-PERMITTING OR
WRITE-INHIBITING SIGNAL**

Matter enclosed in heavy brackets [] appears in the original patent but forms no part of this reissue specification; matter printed in italics indicates the additions made by reissue.

BACKGROUND OF THE INVENTION

1. Field of the Invention

The present invention relates generally to an information storage apparatus for sharing data among electronic devices such as information processing devices and an information processing apparatus using the information storage apparatus, and more particularly to a write prohibit mechanism for protecting internal data to an external storage apparatus.

2. Description of the Related Art

In a conventional method of sharing data among information processing devices, an attachable/detachable external storage apparatus in which data can be written is generally used. This type of external storage apparatus is normally provided with a write prohibit mechanism for protecting precious internal storage data from being erroneously erased.

In a typical write prohibit mechanism for example, as used in a magnetic tape or a floppy disk, the shape of a portion of a casing of the external storage apparatus is made changeable and the change in shape is optically or mechanically detected on the information processing device side.

FIGS. 5A and 5B illustrate an example of the conventional write prohibit mechanism which is employed, for example, in a 3.5 inch floppy disk.

A floppy disk 1 has, in proper places, a sliding shutter 2 for data write/read, a bearing unit 3 for rotating a built-in magnetic disk, a label attachment section 4 on which a label indicating a title, etc. is attached, and a write protect tab 5. As is shown in FIGS. 5A and 5B, the write protect tab 5 comprises a slider 5a and an opening window 5b which is closed and opened in accordance the movement of the slider 5a.

Specifically, in the write prohibit mechanism using the write protect tab 5, the two shapes of the window 5b, i.e. the open shape and closed shape, which is determined by the movement of the slider 5a are detected by means of a contact switch, etc. Thus, the write permit state and the write prohibit state can be discriminated on the information processing device side.

In another data write prohibit mechanism, an electric write path is cut off by a microswitch, as in a memory card in which data write is electrically effected.

In the write prohibit mechanism, a change in physical shape is made mechanically. Therefore, there is an advantage in that the write permit state or write prohibit state can be recognized by the eye.

In each mechanism however, the external storage apparatus needs to have certain dimensions and thickness.

On the other hand, there is a method in which a write prohibit state is stored as internal data in an external storage apparatus. Advantageously, this method can be applied to

2

any type of external storage apparatus, irrespective of the size and thickness, thereof.

In this method, however, the write permit state or write prohibit state cannot be recognized until the external storage apparatus is mounted in an information processing device and actually operated.

As has been described above, in the prior art, the external storage apparatus needs to have certain dimensions and thickness in order that one can recognize the write prohibit state.

SUMMARY OF THE INVENTION

The object of the invention is to provide a small and thin information storage apparatus permitting one to visually recognize the write prohibit state thereof and making it possible to realize a write prohibit mechanism at low cost and an information processing apparatus using this information storage apparatus.

In order to achieve the above object, according to the present invention, there is provided an information storage apparatus comprising:

storage medium means in which information can be written;

a support member incorporating the storage medium means; and

a state-indicating conductive member provided on a surface of the supporting member, indicating a state of the storage medium means in which writing of information to the storage medium means is prohibited.

The storage medium means comprises a storage medium device inducting at least one non-volatile semiconductor memory device.

The support member has a recess in which the state-indicating conductive member is provided.

The support member is of nonconductive, and the state-indicating conductive member is of conductive to indicate the information write prohibit state of the storage medium means.

According to the present invention, there is further provided an information storage apparatus comprising:

storage medium means in which information can be written;

a support member incorporating the storage medium means; and

a state-indicating non-conductive member provided on a surface of the supporting member, indicating a state of the storage medium means in which writing of information to the storage medium means is prohibited.

The storage medium means comprises a storage medium device including at least one non-volatile semiconductor memory device.

The support member has a recess in which the state-indicating non-conductive member is provided.

The support member is of conductive, and the state-indicating non-conductive member is of non-conductive to indicate the information write prohibit state of the storage medium means.

The state-indicating non-conductive member is a seal.

According to the present invention, there is still further provided an information processing apparatus comprising:

an information storage device wherein information writable storage medium means is incorporated in a support member and a state-indicating conductive member is visibly provided, the state-indicating conductive members indicating a state of the storage medium means in

3

which writing of information to the storage medium means is prohibited, and

a processing device for receiving the information storage device, the processing device having discriminating means for detecting the conductivity of the state-indicating conductive member to discriminate the prohibit state of writing information to the storage medium means.

The storage medium means comprises a storage medium device including at least one non-volatile semiconductor memory device.

The support member has a recess in which the state-indicating conductive member is provided.

The state-indicating conductive member is a seal.

The discriminating means discriminates the prohibit state of writing information to the storage medium means by detecting the conductive state of the state-indicating conductive member.

The discriminating means discriminates the prohibit state of writing information to the storage medium means by bringing two or more connection pins into contact with the state-indicating conductive member and detecting the conductivity of the state-indicating conductive member.

The processing device is a processing device including a driving mechanism for driving the information storage device.

The processing device includes a card-shaped holder detachably attached to the processing device and including a driving mechanism for driving the information storage device incorporated in the card-shaped holder.

According to the present invention, there is yet further provided an information processing apparatus comprising:

an information storage device wherein information writable storage medium means is incorporated in a support member and a state-indicating non-conductive member is visibly provided the state-indicating non-conductive member indicating a state of the storage medium means in which writing of information to the storage medium means is prohibited; and

a processing device for receiving the information storage device, the processing device having discriminating means for detecting the non-conductivity of the state-indicating non-conductive member to discriminate the prohibit state of writing information to the storage medium means.

The storage medium means comprises a storage medium device including at least one non-volatile semiconductor memory device.

The support member has a recess in which the state-indicating non-conductive member is provided.

The state-indicating non-conductive member is a seal.

The discriminating means discriminates the prohibit state of writing information to the storage medium means by detecting the non-conductive state of the state-indicating non-conductive member.

The discriminating means discriminates the prohibit state of writing information to the storage medium means by bringing two or more connection pins into contact with the state-indicating non-conductive member and detecting the non-conductivity of the state-indicating non-conductive member.

The processing device is a processing device including a driving mechanism for driving the information storage device.

The processing device includes a card-shaped holder detachably attached to the processing device and including a driving mechanism for driving the information storage device incorporated in the card-shaped holder.

4

In this invention, by virtue of the above-described structures, the write prohibit state can be discriminated on the basis of the change in electrical state and can also be recognized visually, even with use of a small and thin information storage apparatus.

Additional objects and advantages of the invention will be set forth in the description which follows, and in part will be obvious from the description, or may be learned by practice of the invention. The objects and advantages of the invention may be realized and obtained by means of the instrumentalities and combinations particularly pointed out in the appended claims.

BRIEF DESCRIPTION OF THE DRAWINGS

The accompanying drawings which are incorporated in and constitute a part of the specification, illustrate presently preferred embodiments of the invention and together with the general description given above and the detailed description of the preferred embodiments given below, serve to explain the principles of the invention.

FIG. 1A schematically shows a plan pattern of a memory module according to an embodiment of the invention;

FIG. 1B is a cross-sectional view taken along line 1B—1B in FIG. 1A;

FIG. 2A is a perspective view of the sealed surface side of a semiconductor memory package built in a memory module;

FIG. 2B is a perspective view of the terminal surface side of the memory package shown in FIG. 2A;

FIG. 2C is a cross-sectional view taken along line IIC—IIC in FIG. 2A;

FIG. 3 illustrates a case where a memory module is inserted in a card-shaped holder prepared separately from an electronic device and the holder is mounted in the electronic device;

FIG. 4 is a cross-sectional view schematically showing the structure of a main part of the card-shaped holder; and

FIGS. 5A and 5B are schematic plan views of a floppy disk, for describing prior art and problems thereof.

DETAILED DESCRIPTION OF THE PREFERRED EMBODIMENTS

An embodiment of the present invention will now be described with reference to the accompanying drawings.

FIGS. 1A and 1B schematically show the structure of a memory module 11 of the present invention. FIG. 1A is a plan view of the memory module 11, and FIG. 1B is a cross-sectional view taken along line 1B—1B in FIG. 1A.

The memory module 11 is used as an external storage apparatus such as a floppy disk. A semiconductor memory package 13 (described later in detail) serving as storage medium is mounted in a small card-shaped support member 12 formed of, e.g. plastic material.

The support member 12 has a label attachment section 10 on which an indication label for indicating an index of data stored in the semiconductor memory package 13, and a seal attachment section 15 on which a conductive seal serving as means for prohibiting inadvertent data write in the semiconductor memory package 13.

The size of the support member 12 is, for example, 37 mm×45 mm (less than half the size specified in IS07813) and the thickness thereof is 0.76 mm ±0.08 mm specified in IS07813.

In the present embodiment, the size of the memory module 11 is set to be less than half the size specified in IS07813 so that it can be used as floppy disk.

One corner of the support member **12**, for example, one corner of a side to be inserted into a drive apparatus, is cut out. Thereby, reverse insertion into the drive apparatus is prevented.

The cut-out portion serves not only as means for preventing reverse insertion but also as limiting the use of the memory module **11**. For example, if the semiconductor memory package **13** operable at 5 V and the semiconductor memory package **13** operable at 3.3 V are prepared, the former alone may be provided with the cutout corner portion. Thus, the insertion of the memory package **13** operable at 3.3 V into the drive apparatus can be prevented and the memory chip within the memory module **11** can be protected against electric destruction due to a variation in power voltage.

The label attachment section **14** has a recess with a depth corresponding to the thickness of a label to be attached. The label attachment section **14** extends from the upper surface to the lower surface so as to cover one side edge of the support member **12**.

The seal attachment section **15** has a circular recess with a diameter of, e.g. 10 mm. The seal attachment section **15** indicates an attachment position of a conductive seal and prevents the conductive seal from projecting upwards from the upper surface of the support member **12**, thereby maintaining the flatness of the surface of the memory module **11**. Thus, when the memory module **11** is pulled out from or inserted into the drive apparatus, the seal is prevented from being peeled off or scratched.

The conductive seal functions as write protector for constituting a write prohibit mechanism. The conductive seal is formed inexpensively, for example, by coating an adhesive on one surface of paper sheet and coating a conductive material such as aluminum on the other surface thereof. The conductive seal has a circular shape with a diameter of e.g. 8 mm so that it can be attached within the seal attachment section **15** on the support member **12**.

Specifically, the conductive seal is attached on the seal attachment section **15** on the support member **12**, thereby visually indicating that data write in the semiconductor memory package **13** is prohibited.

In addition, the write prohibit mechanism is easily achieved since the data write prohibit state can be automatically recognized on the basis of the conductive state effected by the conductive seal.

FIGS. 2A to 2C schematically show the structure of the semiconductor memory package **13**. FIG. 2A is a perspective view of the sealed surface side of the package **13**. FIG. 2B is a perspective view of the terminal surface side of the package, and FIG. 2C is a cross-sectional view taken along line IIC—IIC in FIG. 2A.

The semiconductor memory package **13** is constituted such that a 16 Mbit NAND type flash EEPROM chip **13b** functioning as storage medium or non-volatile semiconductor memory device is mounted on a resin-based substrate **13a**. Input/output terminals (not shown) of the chip **13b** are connected to wiring on a major surface of the substrate **13a** by means of bonding wires **13c**. The chip **13b**, as well as the bonding regions, is resin-sealed by a sealing resin **13d** by a one-side transfer mold method.

The wiring on the major surface of the resin-based substrate **13a** is exposed to the non-sealed side (bottom side) of the substrate **13a** via through-holes and led out as flat external connection terminals **13e**.

In the present embodiment, the semiconductor memory package **13** has a size of 16.62 mm×27.59 mm on the

terminal surface side, which is less than half the area of the support member **12** in its longitudinal direction.

The memory package **13** is attached to the support member **12** such that the upper surfaces of the external connection terminals **13e** are substantially flush with the surface of the support member **12** on which the seal attachment section **15**, etc. are formed.

When the memory module **11** having the above structure is used as external storage apparatus such as a floppy disk, a drive apparatus such as a floppy disk drive is needed.

FIG. 3 illustrates a case where the memory module **11** is mounted in a mounting unit of an electronic device such as an information processing device, by using a drive apparatus prepared separately from the electronic device.

For example, when the memory module **11** is used as floppy disk, the memory module **11** is first inserted into a card-shaped holder **21**, and the card-shaped holder **21** is then mounted in the mounting unit of the electronic device.

The card holder **21** has a size specified, for example, in PCMCIA (e.g. type **11**), has an input/output interface and incorporates a memory controller (not shown) functioning as drive apparatus for writing and reading data.

FIG. 4 schematically shows the structure of a main part of the card-shaped holder **21**.

Specifically, the holder **21** has a connector unit **22**. A connector pin holder section **23** is provided inside the connector unit **22** in which the memory module **11** is mounted. The connector pin holder section **23** is provided with a plurality of connector pins **24** to be put in contact with the external connection terminals **13e** of the semiconductor memory package **13**, and connector pins **25** to be put in contact with the seal attachment section on the support member **12**.

The connector pins **24** are connected to the memory controller incorporated in the card-shaped holder **21**.

Although FIG. 4 shows only one connector pin **25**, the number of connector pins **25** is at least two and the two connector pins **25** are arranged at a distance of 1mm or more from each other. The connector pins **25** are connected to a discriminating circuit (not shown) provided within the electronic device or card-shaped holder **21**. The discriminating circuit discriminates the data write permit state and the data write prohibit state on the basis of the conductive state and non-conductive state between the connector pins **25**.

For example, when the conductive seal **16** is not attached to the memory module **11**, the connector pins **25** are put in contact with a non-conductive part (seal attachment section **15**) on the support member **12**. In this case, since the support member **12** has no electrical conductivity, electrical conduction between the connector pins **25** is not effected. Thus, the write permit state is discriminated by the discriminating circuit.

On the other hand, when the conductive seal **16** is attached to the memory module **11**, the connector pins **25** are put in contact with the conductive seal **16**. Since the conductive seal **16** is electrically conductive, electrical conduction between the connector pins **25** is effected by the conductive seal **16**. Thus, the write prohibit state is discriminated by the discriminating circuit.

As has been described above, the memory module **11** is set in the write prohibit state by attaching the conductive seal **16** to the seal attachment section **15** on the support member **12**. If the conductive seal **16** is attached, the user can visually recognize the write prohibit state of the memory module **11**. In addition, if the memory module **11** is mounted in the

card-shaped holder **21**, electrical conduction is effected between the connector pins **25** and the memory controller can also recognize the write prohibit state of the module **11**.

According to the present embodiment, the write prohibit state can be discriminated on the basis of the change in electrical state, and also the write prohibit state can be visually recognized.

Specifically, when the memory module is set in the write prohibit state, the conductive seal is attached to a predetermined position. Thereby, the write prohibit state is visually indicated and electrically detected. According to this embodiment, therefore, the write prohibit state can fully be recognized and detected with use of a small, thin memory module, as compared to a conventional large, thick memory module in which the write prohibit state is set by making use of the change in shape thereof. In other words, even if the memory module is small and thin, the write prohibit state can be visually recognized and electrically detected.

In the present method in which the write prohibit state is set by attaching the conductive seal, the memory module can easily be restored to the write permit state from the write prohibit state by removing the conductive seal. Therefore, as compared to a conventional method in which a hole is formed in the module, the memory module can be more easily restored from the write prohibit state to the write permit state and the strength of the memory module is not degraded.

In addition, according to the present method in which the data write prohibit state is discriminated on the basis of the presence/absence of the conductive seal, the write prohibit mechanism is realized at lower cost, than in the conventional method in which the write prohibit state is set by making use of the change in shape.

The above embodiment is directed to a case where the write prohibit state is set by attaching the conductive seal to the non-conductive memory module. The present invention, however, is applicable to a case where the write permit state is set by attaching a conductive seal.

In the present method, the conductive state obtained by attaching the conductive seal can be associated with either the write prohibit state or the write permit state, depending on whether the conductive state effected between the connector pins **25** by the attachment of the conductive seal is associated with the write prohibit state or with the write permit state.

Suppose that the attachment of the conductive seal is associated with the write prohibit state. In this case, if defective contact occurs between the conductive seal and the connector pins due to some cause, the write permit state is erroneously recognized and necessary data would be erased.

On the other hand, if the attachment of the conductive seal is associated with the write permit state, the seal needs to be attached prior to the write operation. The frequency of actual use of the memory module in the write permit state is much higher than that in the write prohibit state. Consequently, the seal is worn earlier and the reliability of the detection of the conductive state must be ensured to compensate the earlier wear of the seal.

In the present embodiment, in order to ensure the reliability of the detection of the conductive state, the conductive state effected by the attachment of the conductive seal is associated with the write prohibit state in which the module is used much less frequently. However, the user can properly decide, depending on the purpose of use, etc., whether the conductive state is associated with the write prohibit state or the write permit state.

If an electrically conductive memory module is used, an electrically non-conductive seal may be attached to set the write prohibit state or write permit state.

In the above embodiment, the memory module is inserted into the card-shaped holder and the card-shaped holder containing the module is mounted in the electronic device. However, the memory module may be directly mounted in the mounting unit of the electronic device having the drive apparatus.

The present invention is applicable not only to the memory module but also to various storage mediums such as floppy disks or magnetic tapes.

The conductive or non-conductive seal may be replaced with a conductive or nonconductive coating material such as ink. In this case, too, the same advantage as in the above embodiment can be obtained.

Other modifications can be made without departing from the spirit of the present invention.

As has been described above in detail, according to the present invention, there is provided a small and thin information storage apparatus permitting one to visually recognize the write prohibit state thereof and making it possible to realize a write prohibit mechanism at low cost and an information processing apparatus using this information storage apparatus.

Additional advantages and modifications will readily occur to those skilled in the art. Therefore, the invention to its broader aspects is not limited to the specific details, and representative devices shown and described herein. Accordingly, various modifications may be made without departing from the spirit or scope of the general inventive concept as defined by the appended claims and their equivalents.

What is claimed is:

1. An information storage card apparatus comprising:
a supporting card;

storage medium means on said supporting card in which information can be written; and

a state-designating conductive member provided on a surface of the supporting card designating a state of said storage medium means in which writing information to the storage medium means is permitted or prohibited, wherein a write-permitting signal is produced by virtue of an absence of said state-designating conductive member or a write-inhibiting signal is produced by *virtue of a presence of* said state-designating conductive member, *and wherein the produced write-permitting or write-inhibiting signal identifies a state of the storage medium means.*

2. The apparatus of claim **1**, wherein said supporting storage medium means comprises a storage medium device including at least one nonvolatile semiconductor memory device.

3. The apparatus of claim **1**, wherein said supporting card has a recess in which said state-designating conductive member is provided.

4. The apparatus of claim **1**, wherein said supporting card is nonconductive and said state-designating conductive member is conductive to **[designate]** *indicate* that said writing information is prohibited.

5. The apparatus of claim **1**, wherein said state-designating conductive member is a seal.

6. The apparatus of claim **3**, wherein said state-designating conductive member is a seal.

7. The apparatus of claim **4**, wherein said conductive member is a seal.

9

8. An information storage apparatus comprising:
a storage medium in which information can be written;
and

a support member incorporating said storage medium, the
support member having a first portion on a main
surface thereof where an external connection terminal
electrically connected to said storage medium is
provided, and a second portion on said main surface,
where a state-designating member for designating a
state in which writing of information to the storage
medium is prohibited is provided, and wherein [a
write-permitting or] a write-inhibiting signal is pro-
duced by *virtue of a presence of* said state-designating
member, *and wherein the produced write-inhibiting
signal identifies a state of the storage medium.*

9. The information storage apparatus according to claim
8, wherein said state-designating member is composed of a
conductive material.

10. The information storage apparatus according to claim
8, wherein said state-designating member is composed of a
non-conductive material.

11. The information storage apparatus according to claim
8, wherein a height of the first portion on the main surface
of said support member where said external connection
terminal is provided is equal to a height of the second
portion on the main surface of said support member, where
said state-designating member is provided.

12. The information storage apparatus according to claim
8, wherein said first portion where said external connection
terminal is provided is formed in a first recess on the main
surface of said support member and said second portion
where said state-designating member for designating a state
in which writing of information is *permitted or* prohibited is
provided is formed in a second recess on the main surface of
said support member.

13. The information storage apparatus according to claim
12, wherein the depths of said first and second recesses are
greater than the height of said external connection terminal
and the height of said state-designating member.

14. The information storage apparatus according to claim
13, wherein said first recess is separated from said second
recess.

15. The information storage apparatus according to claim
11, wherein said first portion where said external connection
terminal is provided is formed in a first recess on the main
surface of said support member and said second portion
where said state-designating member for designating a state
in which writing of information is *permitted or* prohibited is
provided is formed in a second recess on the main surface of
said support member.

16. The information storage apparatus according to claim
15, wherein the depths of said first and second recesses are
deeper than the height of said external connection terminal
and the height of said state-designating member.

17. The information storage apparatus according to claim
16, wherein said first recess is separated from said second
recess.

18. An information storage apparatus comprising:
a storage medium in which information can be written;
and

a support member incorporating said storage medium, the
support member having a first portion on a main
surface thereof where an external connection terminal
electrically connected to said storage medium is
provided, and a second portion on said main surface,
adapted for providing thereon a state-designating mem-
ber for designating a state in which writing of infor-

10

mation to the storage medium is prohibited wherein, [a
write-permitting or] a write-inhibiting signal is pro-
duced by *virtue of a presence of* said state-designating
member, *and wherein the produced write-inhibiting
signal identifies a state of the storage medium.*

19. The information storage apparatus according to claim
18, wherein said state-designating member is composed of
a conductive material.

20. The information storage apparatus according to claim
18, wherein said state-designating member is composed of
a non-conductive material.

21. The information storage apparatus according to claim
18, wherein a height of the first portion on the main surface
of said support member where said external connection
terminal is provided is equal to a height of the second
portion on the main surface of said support member, adapted
for providing thereon said state-designating member.

22. The information storage apparatus according to claim
18, wherein said first portion where said external connection
terminal is provided is formed in a first recess on the main
surface of said support member and said second portion
adapted to be provided with said state-designating member
for designating a state in which writing of information is
permitted or prohibited is formed in a second recess on the
main surface of said support member.

23. The information storage apparatus according to claim
22, wherein the depths of said first and second recesses are
greater than the height of said external connection terminal
and the height of said state-designating member.

24. The information storage apparatus according to claim
23, wherein said first recess is separated from said second
recess.

25. The information storage apparatus according to claim
21, wherein said first portion where said external connection
terminal is provided is formed in a first recess on the main
surface of said support member and said second portion
adapted for providing thereon said state-designating mem-
ber for designating a state in which writing of information is
permitted or prohibited is formed in a second recess on the
main surface of said support member.

26. The information storage apparatus according to claim
25, wherein the depths of said first and second recesses are
deeper than the height of said external connection terminal
and the height of said state-designating member.

27. The information storage apparatus according to claim
26, wherein said first recess is separated from said second
recess.

28. The information storage apparatus comprising:
a storage medium in which information can be written;
a supporting member incorporating said storage medium,
the support member having a first portion on a main
surface thereof where an external connection terminal
electrically connected to said storage medium is
provided, and a second portion on said main surface;
and

a state-designating member on said second portion, for
designating a state in which writing of information to
the storage medium is prohibited, wherein a [write-
permitting or] a write-inhibiting signal is produced by
virtue of a presence of said state-designating member,
*and wherein the produced write-inhibiting signal iden-
tifies a state of the storage medium.*

29. The information storage apparatus according to claim
28, wherein said state-designating member is composed of
a conductive material.

30. The information storage apparatus according to claim
28, wherein a height of the first portion on the main surface

11

of said support member where said external connection terminal is provided is equal to a height of the second portion on the main surface of said support member, where said state-designating member is provided.

31. The information storage apparatus according to claim 28, wherein said first portion where said external connection terminal is provided is formed in a first recess on the main surface of said support member and said second portion where said state-designating member for designating a state in which writing of information is prohibited is provided is formed in a second recess on the main surface of said support member.

32. The information storage apparatus according to claim 31, wherein the depths of said first and second recesses are greater than the height of said external connection terminal and the height of said state-designating member.

33. The information storage apparatus according to claim 32, wherein said first recess is separated from said second recess.

12

34. The information storage apparatus according to claim 30, wherein said first portion where said external connection terminal is provided is formed in a first recess on the main surface of said support member and said second portion where said state-designating member for designating a state in which writing of information is prohibited is provided is formed in a second recess on the main surface of said support member.

35. The information storage apparatus according to claim 34, wherein the depths of said first and second recesses are greater than the height of said external connection terminal and the height of said state-designating member.

36. The information storage apparatus according to claim 35, wherein said first recess is separated from said second recess.

* * * * *