



US00RE38892E

(19) **United States**  
(12) **Reissued Patent**  
Ryu

(10) **Patent Number:** **US RE38,892 E**  
(45) **Date of Reissued Patent:** **Nov. 29, 2005**

(54) **HAMMER HANDLE**

(75) Inventor: **Suk-Ho Ryu**, Seoul (KR)

(73) Assignee: **Wavex Corporation**, Toronto (CA)

(21) Appl. No.: **29/158,950**

(22) Filed: **Apr. 10, 2002**

**Related U.S. Patent Documents**

Reissue of:

(64) Patent No.: **Des. 422,472**  
Issued: **Apr. 11, 2000**  
Appl. No.: **29/096,561**  
Filed: **Nov. 13, 1998**

(51) **LOC (8) Cl.** ..... **08-02**  
(52) **U.S. Cl.** ..... **D8/80**  
(58) **Field of Search** ..... D8/75, 76, 77,  
D8/78, 79, 80, 81, 107; 81/19, 20, 21, 22,  
23, 24, 25; 7/143; 16/110 R

(56) **References Cited**

**U.S. PATENT DOCUMENTS**

479,032 A \* 7/1892 Surbaugh ..... 81/22  
1,341,378 A \* 5/1920 McKenzie ..... 81/22  
1,401,896 A \* 12/1921 Ehrhart ..... 81/22  
2,155,804 A \* 4/1939 Rubin ..... 81/20  
D139,475 S \* 11/1944 Laughlin ..... D8/80  
D157,883 S \* 3/1950 Maxwell ..... D8/80  
D182,076 S \* 2/1958 MacMinn ..... D8/77  
D182,077 S \* 2/1958 MacMinn ..... D8/77  
D185,675 S \* 7/1959 MacMinn ..... D8/80  
D288,897 S \* 3/1987 Kalberer ..... D8/80

D300,111 S \* 3/1989 Square ..... D8/75  
D302,515 S \* 8/1989 Kandel ..... D8/81  
D315,483 S \* 3/1991 Williamson ..... D8/75  
D402,175 S \* 12/1998 Sellers ..... D8/75

\* cited by examiner

*Primary Examiner*—Philip S. Hyder

(74) *Attorney, Agent, or Firm*—Maria Parrish Tungol

(57) **CLAIM**

The ornamental design for a hammer handle, as shown and described.

**DESCRIPTION**

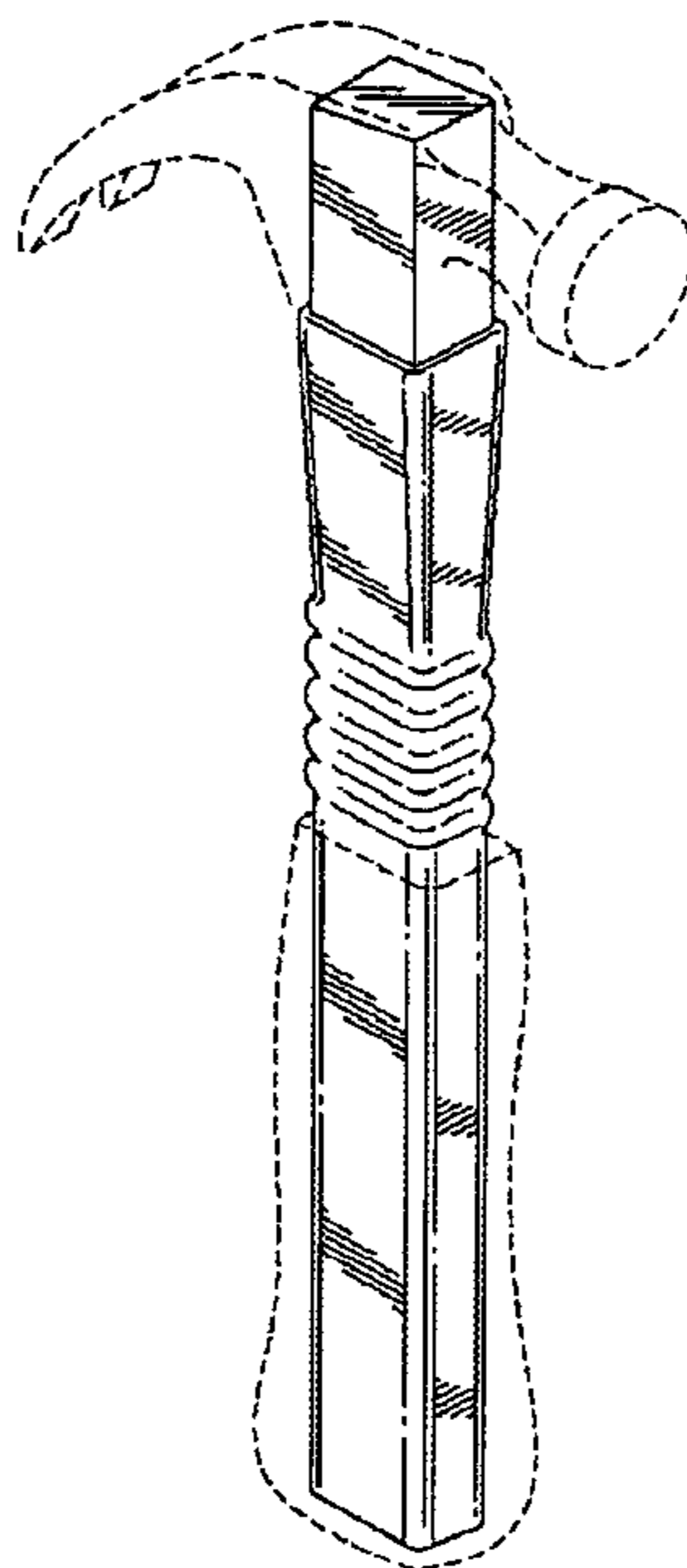
FIG. 1 is a perspective view of a hammer handle showing my new design;  
FIG. 2 is a bottom plan view thereof;  
FIG. 3 is a top plan view thereof;  
FIG. 4 is a right side elevational view thereof;  
FIG. 5 is a rear elevational view thereof; and,  
FIG. 6 is a front elevational view thereof.

The left side of the hammer handle is a mirror image of the right side.

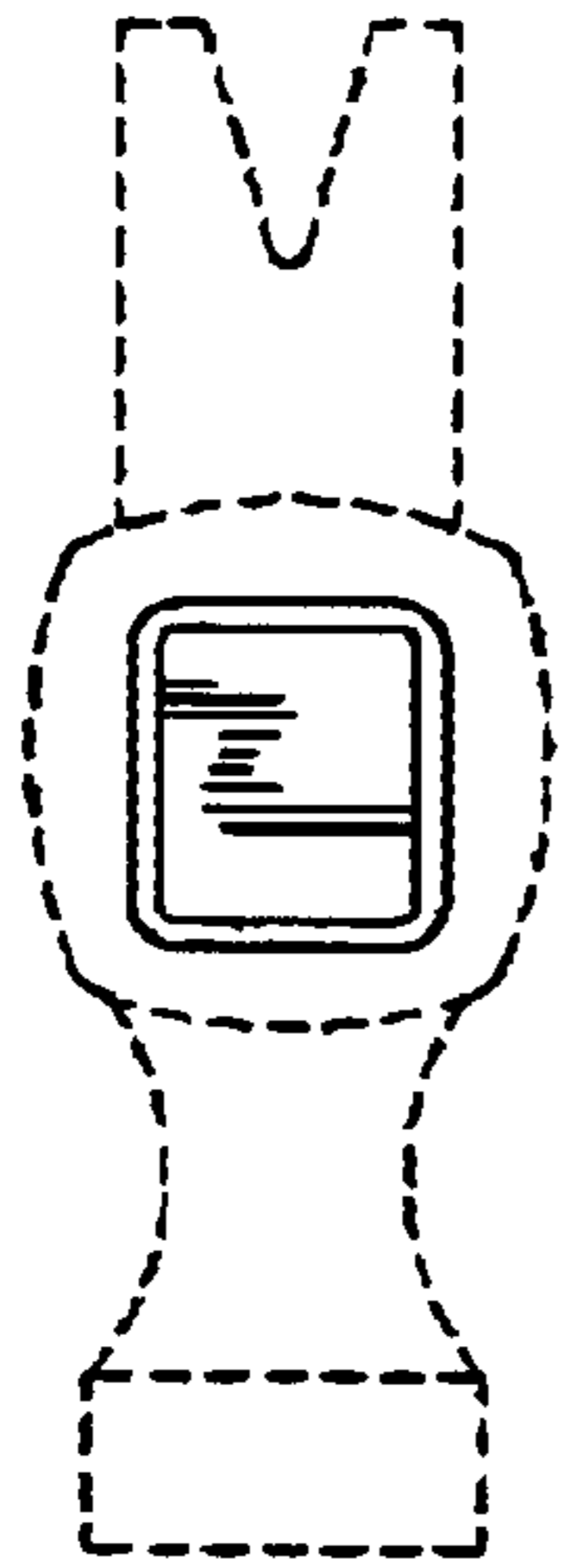
The hammer head and grip shown in broken lines FIGS. 1–6 are not part of the claimed design.

**1 Claim, 2 Drawing Sheets**

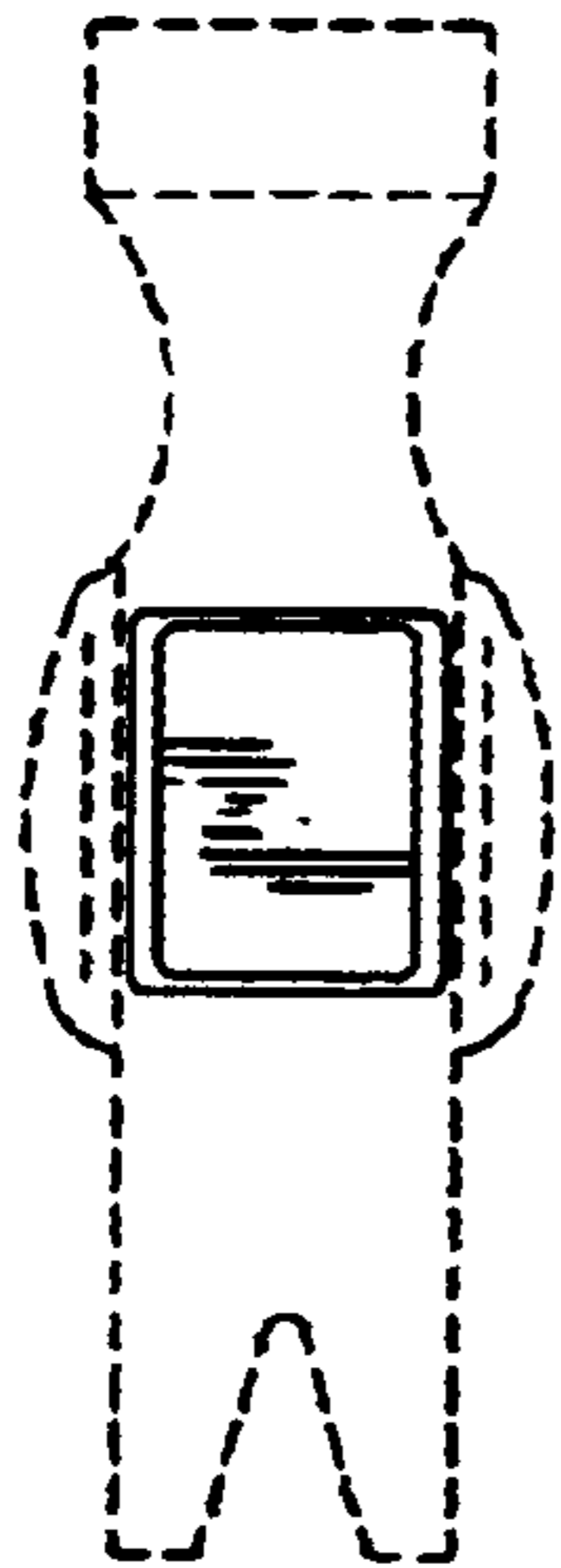
**Matter enclosed in heavy brackets [ ] appears in the original patent, but forms no part of this reissue; matter printed in italics indicates the additions made by reissue.**



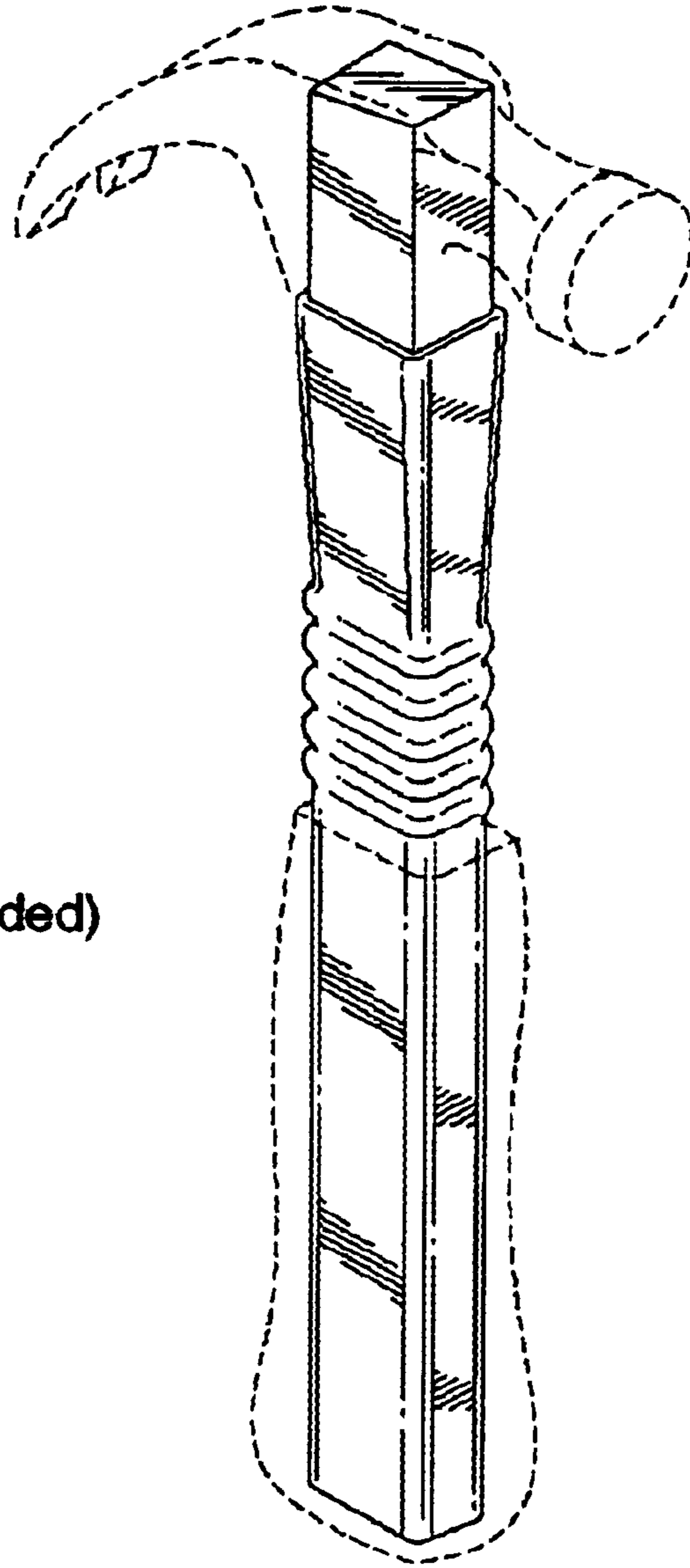
(Amended)



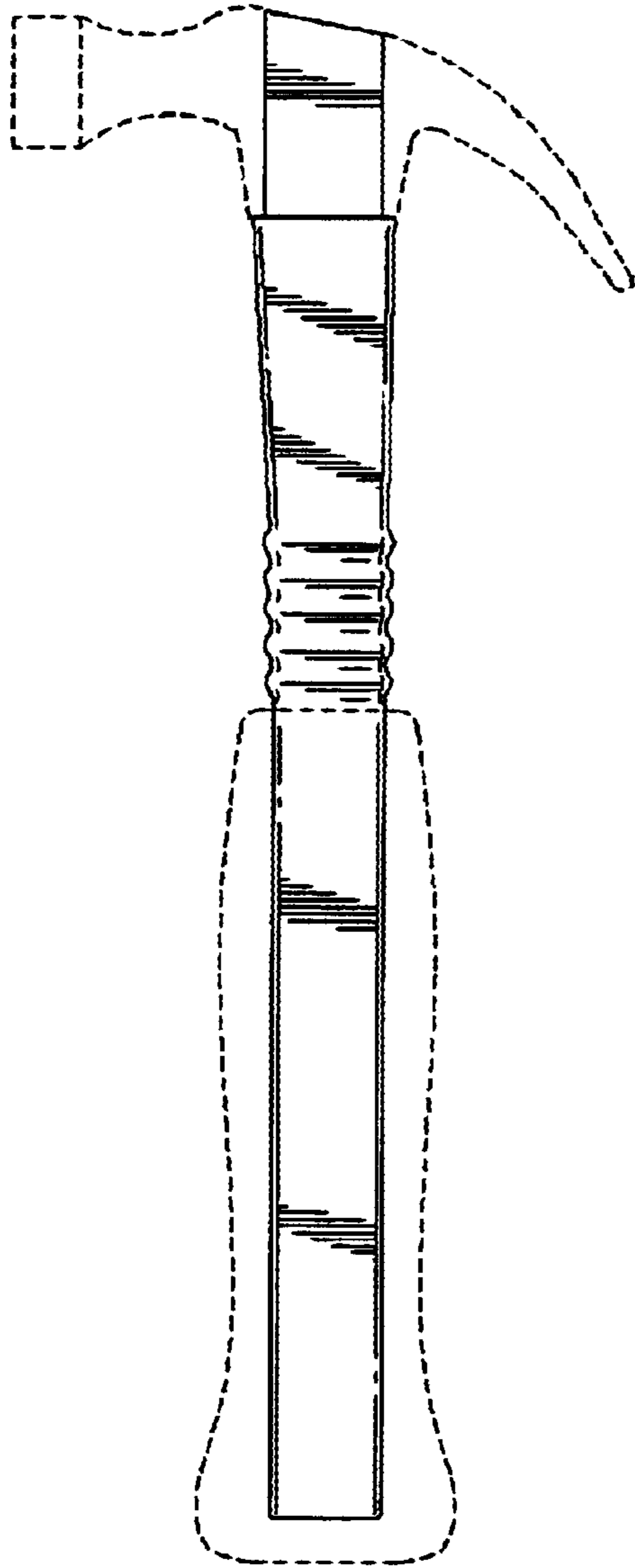
**FIG. 2** (Amended)



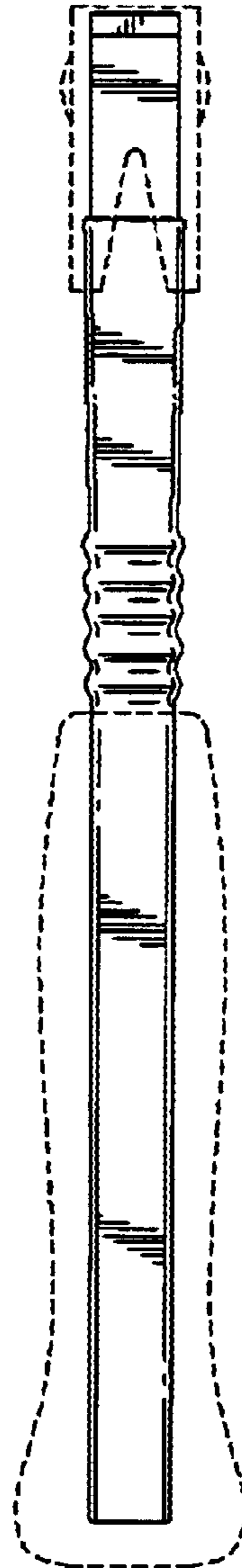
**FIG. 3** (Amended)



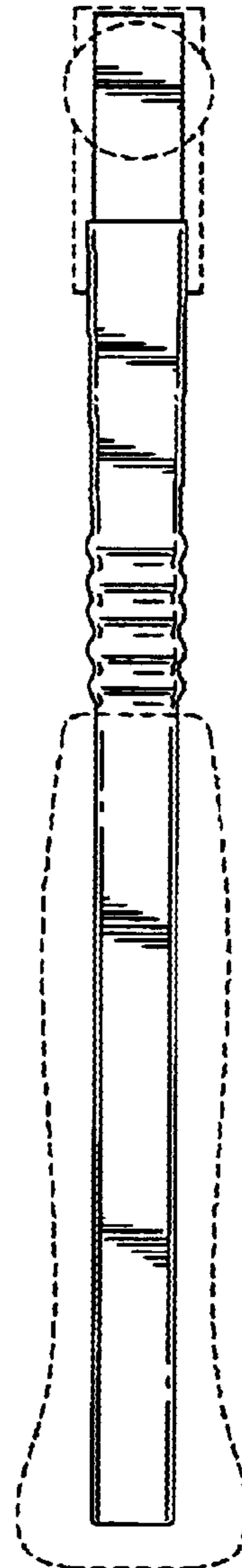
**FIG. 1** (Amended)



**FIG. 4**  
(Amended)



**FIG. 5**  
(Amended)



**FIG. 6**  
(Amended)