



US00RE38787E

(19) **United States**
(12) **Reissued Patent**
Sainton et al.

(10) **Patent Number: US RE38,787 E**
(45) **Date of Reissued Patent: Aug. 30, 2005**

(54) **APPARATUS AND METHODS FOR NETWORKING OMNI-MODAL RADIO DEVICES**

WO WO 90/13211 11/1990

OTHER PUBLICATIONS

(75) Inventors: **Joseph B. Sainton**, Newberg, OR (US);
Charles M. Leedom, Jr., Falls Church, VA (US);
Eric J. Robinson, Ashburn, VA (US)

“Electronic Messaging System (EPS)”, Feb. 5, 1993, Complex Architectures, Inc.*

“Motorola Paging & Wireless Data Group”, Bob Growney and William Davies, pp. 155 and 156, Portable Computers Wireless Communications, 1993.*

(73) Assignee: **MLR, LLC**, Palm Beach Gardens, FL (US)

“Racotek”, Richard Cortese and Larry Sanders, pp. 176–178, Portable Computers and Wireless Communications, 1993.*

(21) Appl. No.: **09/392,676**

Supplementary EP Search Report, EP 95 90 8417, Jun. 18, 1999, 2 pages.

(22) Filed: **Sep. 8, 1999**

European Patent Office, Official Action for Application No. 95 908 417.9—2412, Sep. 9, 2003, 9 pages.

PCT, Notification of Transmittal of International Preliminary Examination Report for PCT/US94/14159, Apr. 18, 1996, 7 pages.

Related U.S. Patent Documents

Reissue of:

(64) Patent No.: **5,761,621**
Issued: **Jun. 2, 1998**
Appl. No.: **08/709,112**
Filed: **Sep. 6, 1996**

Primary Examiner—Lester G. Kincaid

(74) *Attorney, Agent, or Firm*—Charles M. Leedom, Jr.

(57) **ABSTRACT**

U.S. Applications:

(63) Continuation of application No. 08/167,002, filed on Dec. 15, 1993, now abandoned.

(51) **Int. Cl.**⁷ **H04Q 7/22**

(52) **U.S. Cl.** **455/453; 455/454; 455/552.1**

(58) **Field of Search** 455/438, 353,
455/454, 513, 524, 552, 434, 426, 446,
552.1

A network and method of operating a network of wireless service providers adapted to interact with a plurality of omni-modal wireless products within a given geographic area in a manner to permit the wireless service providers to “borrow” radio frequencies from other wireless service providers within the same geographic region. As a cellular service provider in a given region finds that one of its service areas or cells has become nearly or fully loaded, frequency could be borrowed from a competitor, such as a PCS provider serving the same region. Selected omni-modal wireless product users in the overloaded area would be told to switch their omni-modal to the “leased” frequency but to use the non-PCS communications protocol appropriate to the type of service desired by the user. Implementation of this method broadly within a given geographic region will have the effect of insuring that the available radio spectrum is used to its maximum capacity to serve the needs of the wireless users on a real time basis.

(56) **References Cited**

U.S. PATENT DOCUMENTS

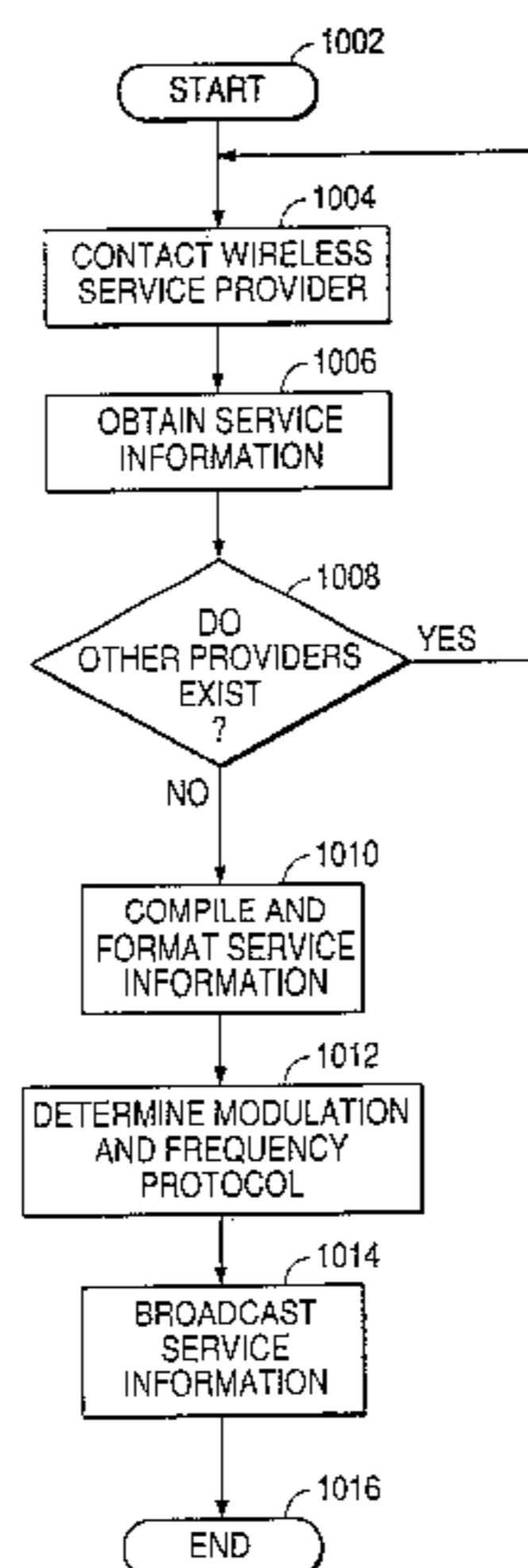
4,144,496 A * 3/1979 Cunningham et al. 455/54.1
4,371,751 A * 2/1983 Hilligoss, Jr. et al.
4,558,453 A * 12/1985 Mimken

(Continued)

FOREIGN PATENT DOCUMENTS

EP 0 501 807 A3 2/1992
EP 0 501 807 A2 2/2002

46 Claims, 16 Drawing Sheets



US RE38,787 E

Page 2

U.S. PATENT DOCUMENTS

4,578,796	A	*	3/1986	Charalambous et al.	5,404,576	A	4/1995	Yahagi
4,670,899	A		6/1987	Brody et al.	5,408,496	A	4/1995	Ritz et al.
4,736,453	A		4/1988	Schloemer	5,410,737	A	4/1995	Jones
4,741,049	A	*	4/1988	De Jager et al.	5,420,851	A	5/1995	Seshadri et al.
4,799,253	A	*	1/1989	Stern et al. 379/59	5,422,930	A	6/1995	McDonald et al.
4,811,420	A	*	3/1989	Avis et al.	5,428,819	A	6/1995	Wang et al.
4,833,727	A	*	5/1989	Calvet et al.	5,442,806	A	* 8/1995	Barber et al. 455/33.1
4,905,301	A		2/1990	Krolopp et al.	5,448,621	A	9/1995	Ho et al.
4,916,728	A		4/1990	Blair	5,448,651	A	9/1995	Sakou et al.
4,985,904	A	*	1/1991	Ogawara	5,450,395	A	9/1995	Hostetter et al.
4,989,230	A		1/1991	Gillig et al.	5,483,666	A	1/1996	Yamada et al.
5,020,093	A		5/1991	Pireh	5,594,720	A	1/1997	Papadopoulos et al.
5,020,094	A	*	5/1991	Rash et al.	5,649,308	A	* 7/1997	Andrews 455/84
5,034,993	A		7/1991	Sasuta et al.	5,745,523	A	4/1998	Dent et al.
5,040,238	A		8/1991	Comroe et al.	5,802,502	A	9/1998	Gell et al.
5,077,834	A	*	12/1991	Andros et al.	5,901,357	A	5/1999	D'Avello et al.
5,122,795	A	*	6/1992	Cubley et al.	6,058,316	A	5/2000	Takahashi
5,127,042	A	*	6/1992	Gillig et al.				
5,134,709	A	*	7/1992	Bi et al.				
5,159,625	A	*	10/1992	Zicker				
5,159,695	A		10/1992	Comroe et al.				
5,179,360	A	*	1/1993	Suzuki				
5,193,101	A		3/1993	McDonald et al.				
5,200,991	A	*	4/1993	Motoyanagi				
5,201,067	A	*	4/1993	Grube et al.				
5,224,121	A		6/1993	Schorman				
5,239,701	A	*	8/1993	Ishii				
5,247,701	A		9/1993	Comroe et al.				
5,249,302	A	*	9/1993	Metroka et al.				
5,257,398	A		10/1993	Schaeffer				
5,261,117	A	*	11/1993	Olson				
5,293,638	A	*	3/1994	Sasuta et al. 455/34.1 X				
5,299,198	A		3/1994	Kay et al.				
5,301,188	A		4/1994	Kotzin et al.				
5,301,359	A		4/1994	Van den Heuvel et al.				
5,311,541	A		5/1994	Sanderford, Jr.				
5,343,513	A	*	8/1994	Kay et al. 455/34.1 X				
5,349,342	A		9/1994	Nilles et al.				
5,365,571	A		11/1994	Rha et al.				

OTHER PUBLICATIONS

PCT, Notification of Transmittal of International Preliminary Examination Report for PCT/US94/14159, Mar. 25, 1996, 7 pages.

International Search Report, PCT/US94/14159, Apr. 12, 1995, 1 page.

International Preliminary Examination Report (From PCT/IPEA/409), PCT/US94/14159, Apr. 8, 1996.

Canadian Patent Appl. No. 2179151, Official Action dated May 18, 2004, 5 pages.

European Patent Appl. No. 95 908 417.9-2412, Official Action dated Sep. 16, 2003, 10 pages.

European Patent Appl. No. 95 908 417.9-2412, Official Action dated May 3, 2004, 4 pages.

Prospective Licensee Invalidity Claim Charts, 15 pages.

Fisher, Dual Mode Mobile Unit for Next Generation Digital Narrow Channel Cellular Telephone System, AT&T Bell Laboratories, 1988, pp. 543-547.

* cited by examiner

FIG. 1A

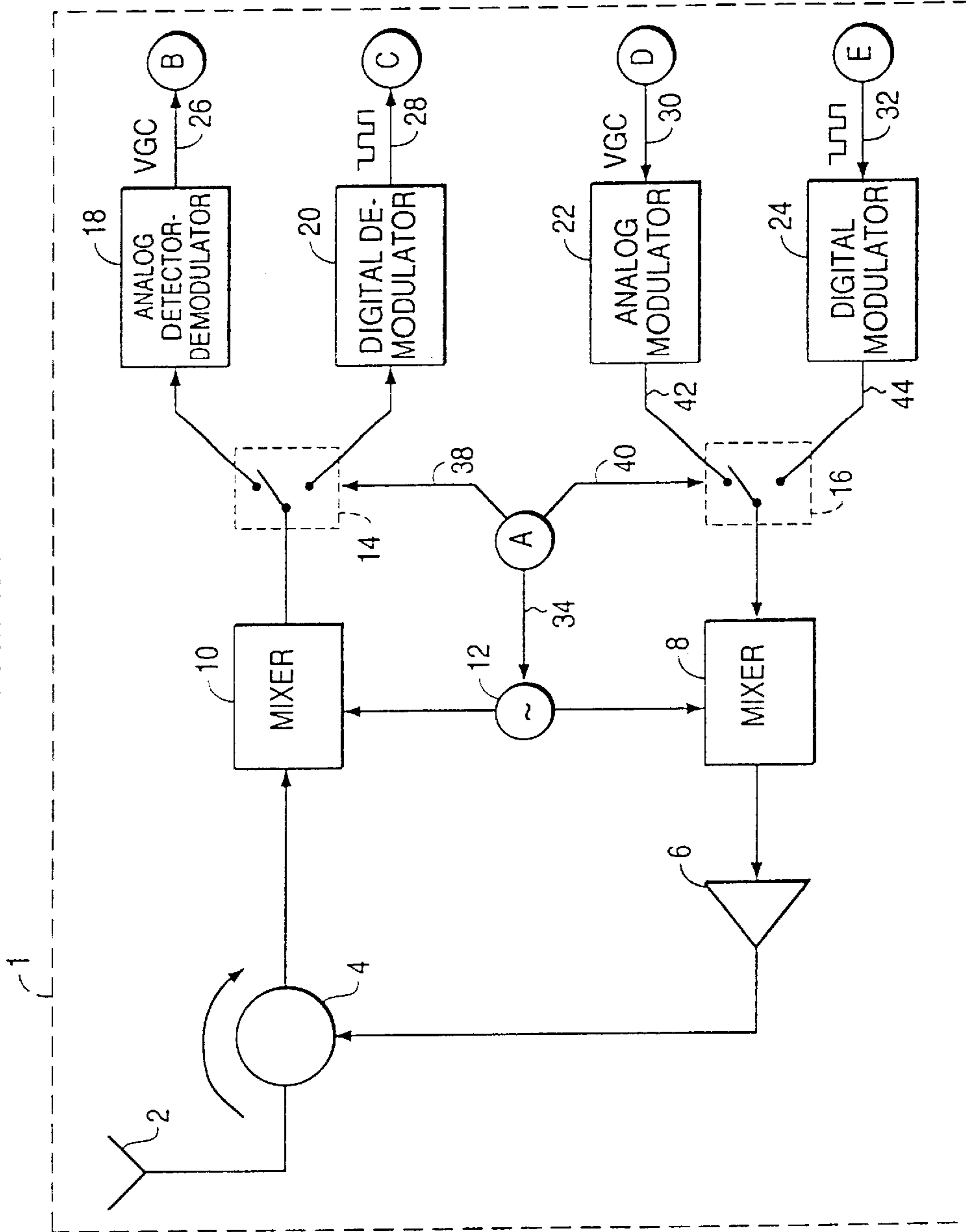


FIG. 1B

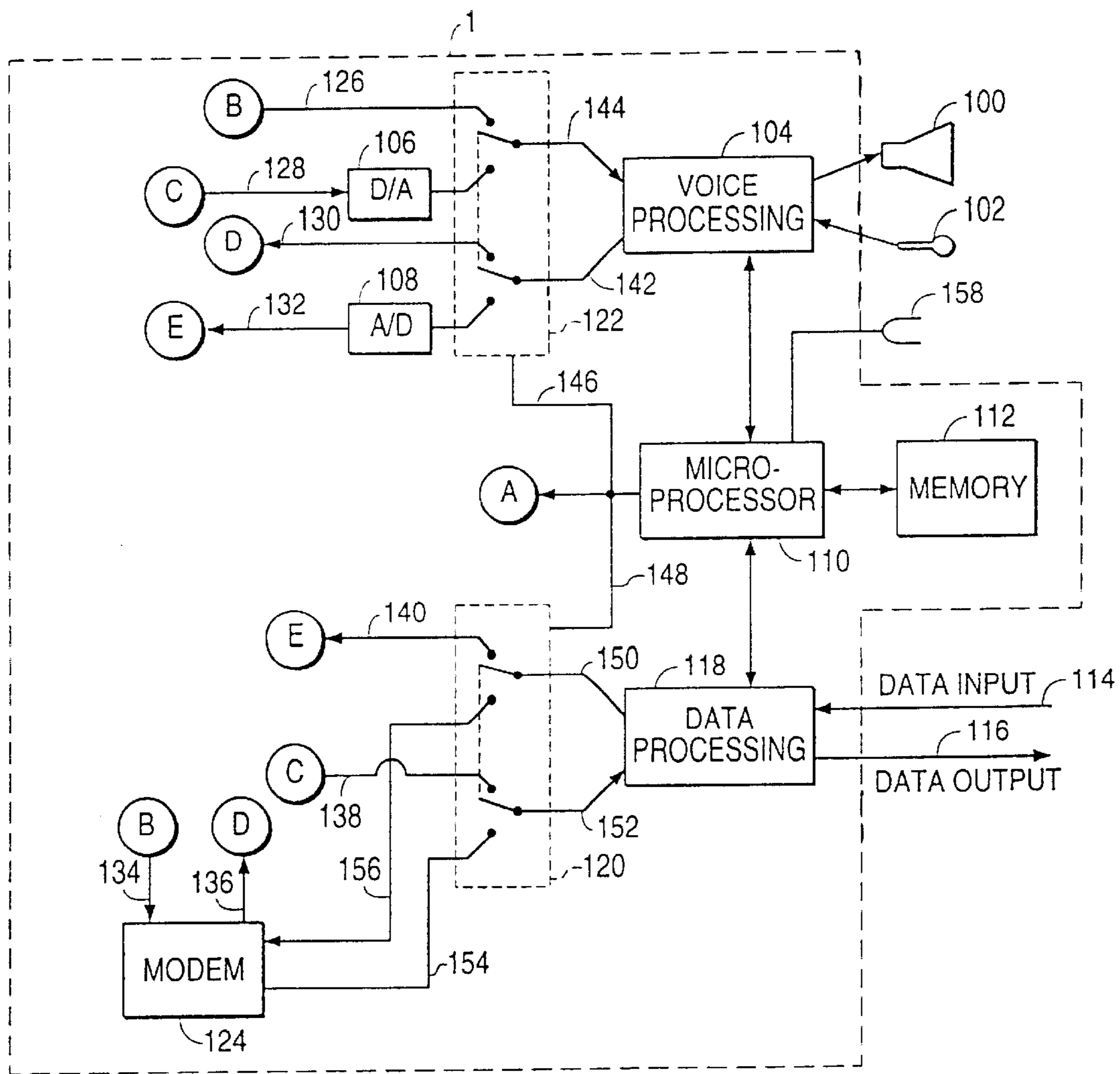


FIG. 2

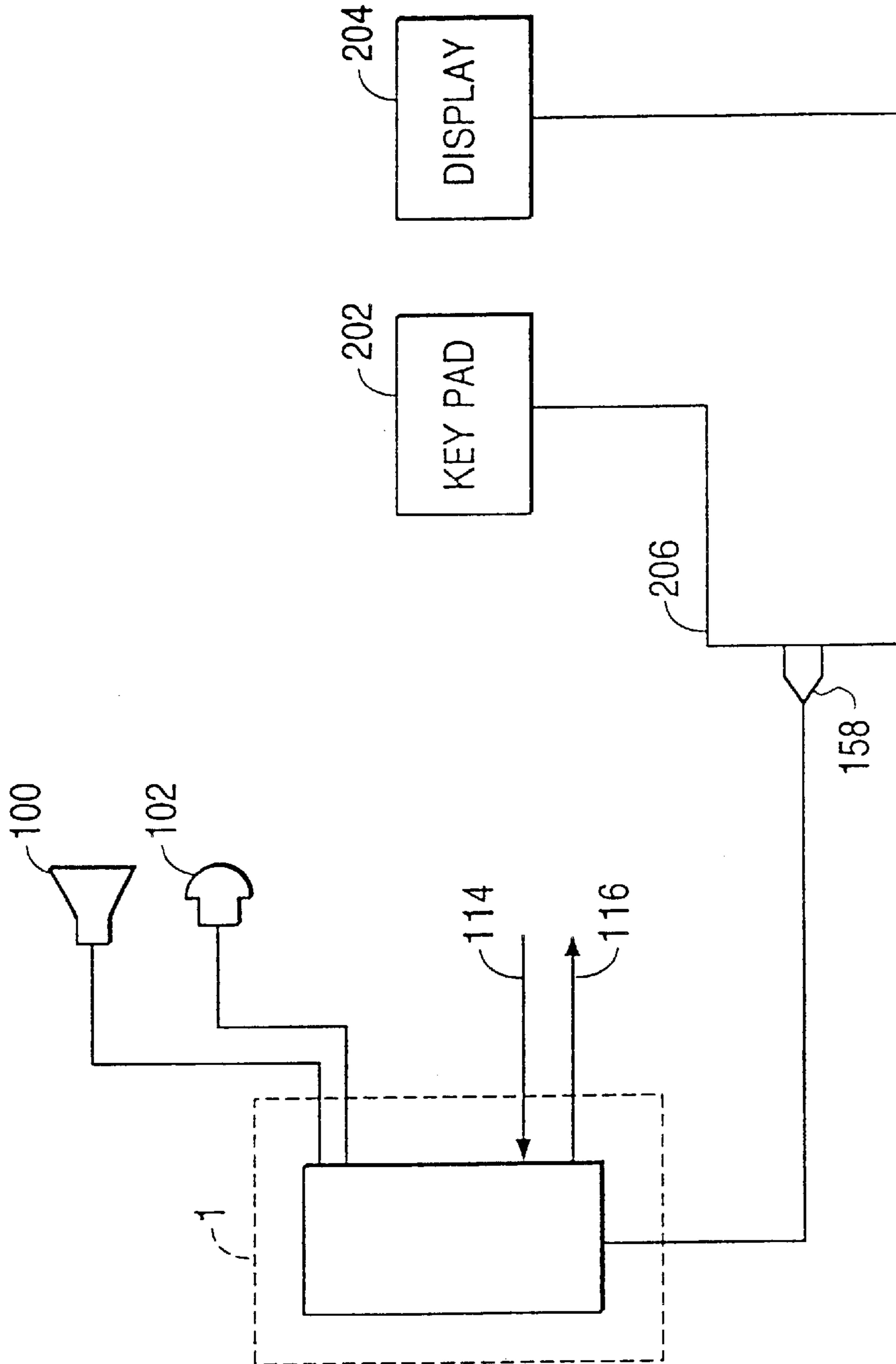


FIG. 3

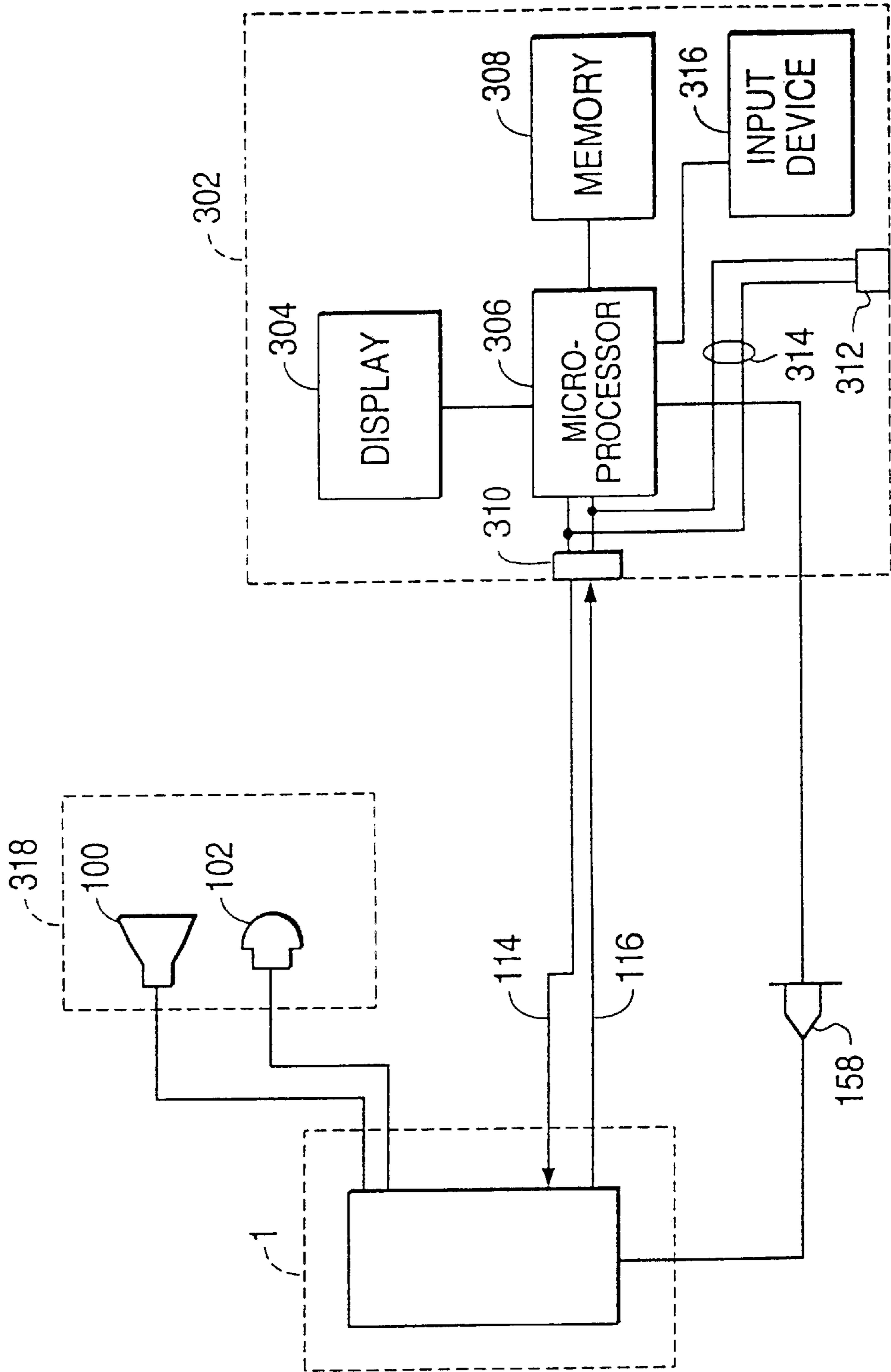


FIG. 4A

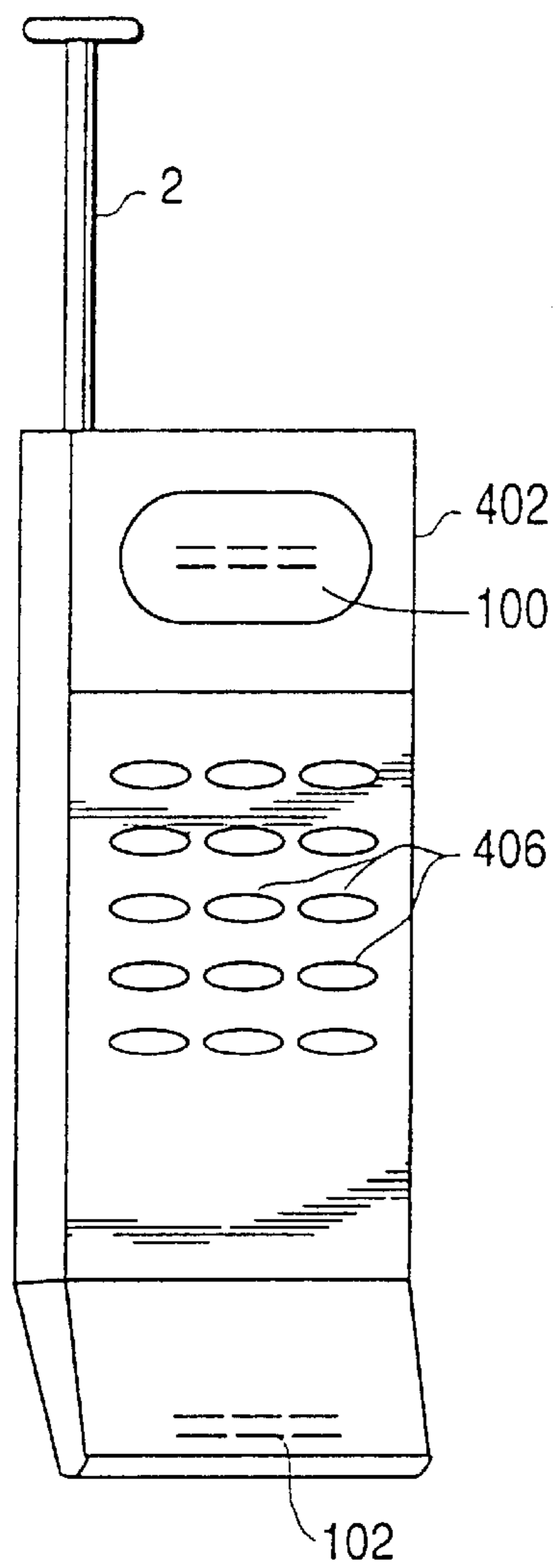


FIG. 4B

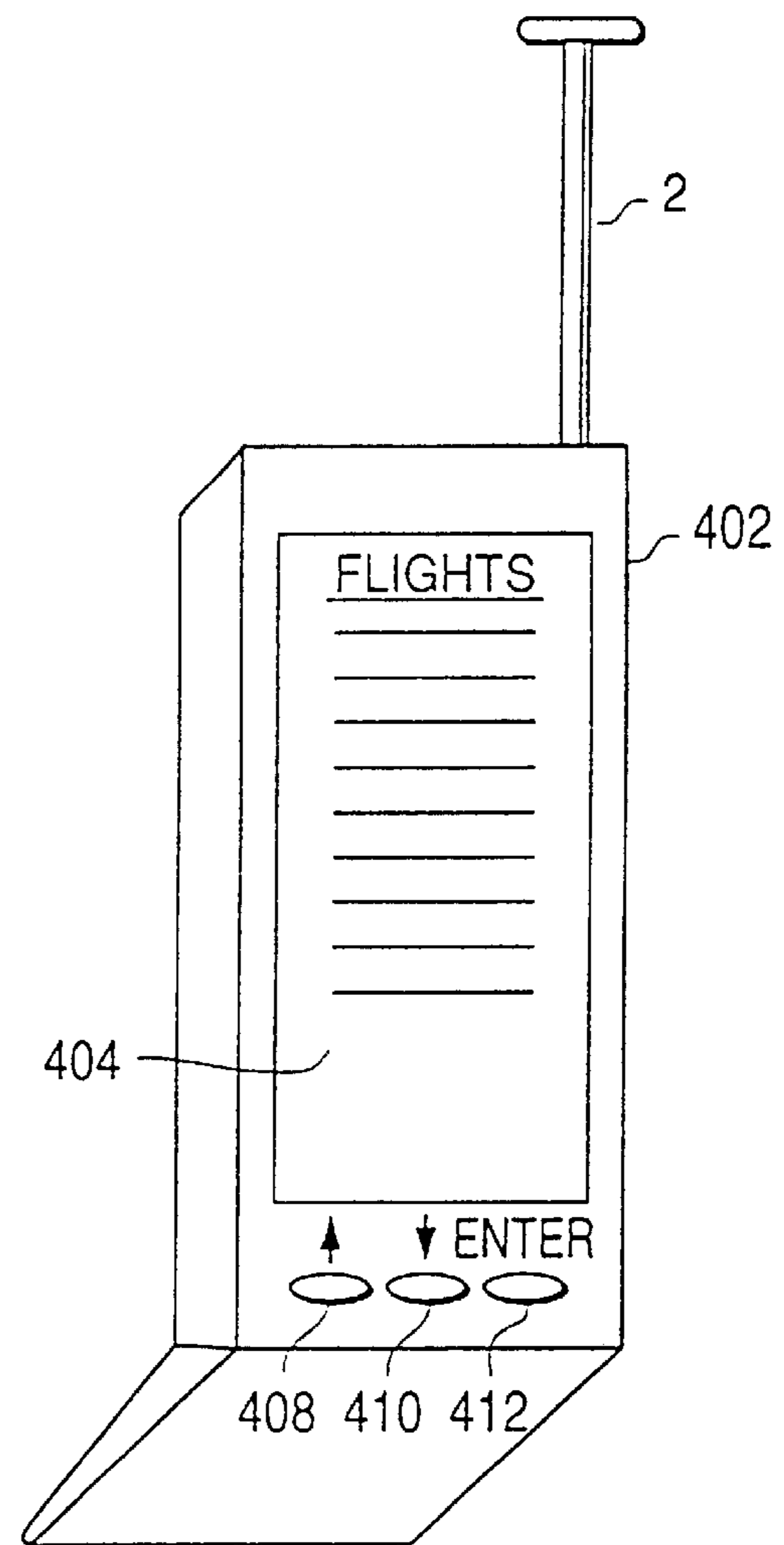


FIG. 5

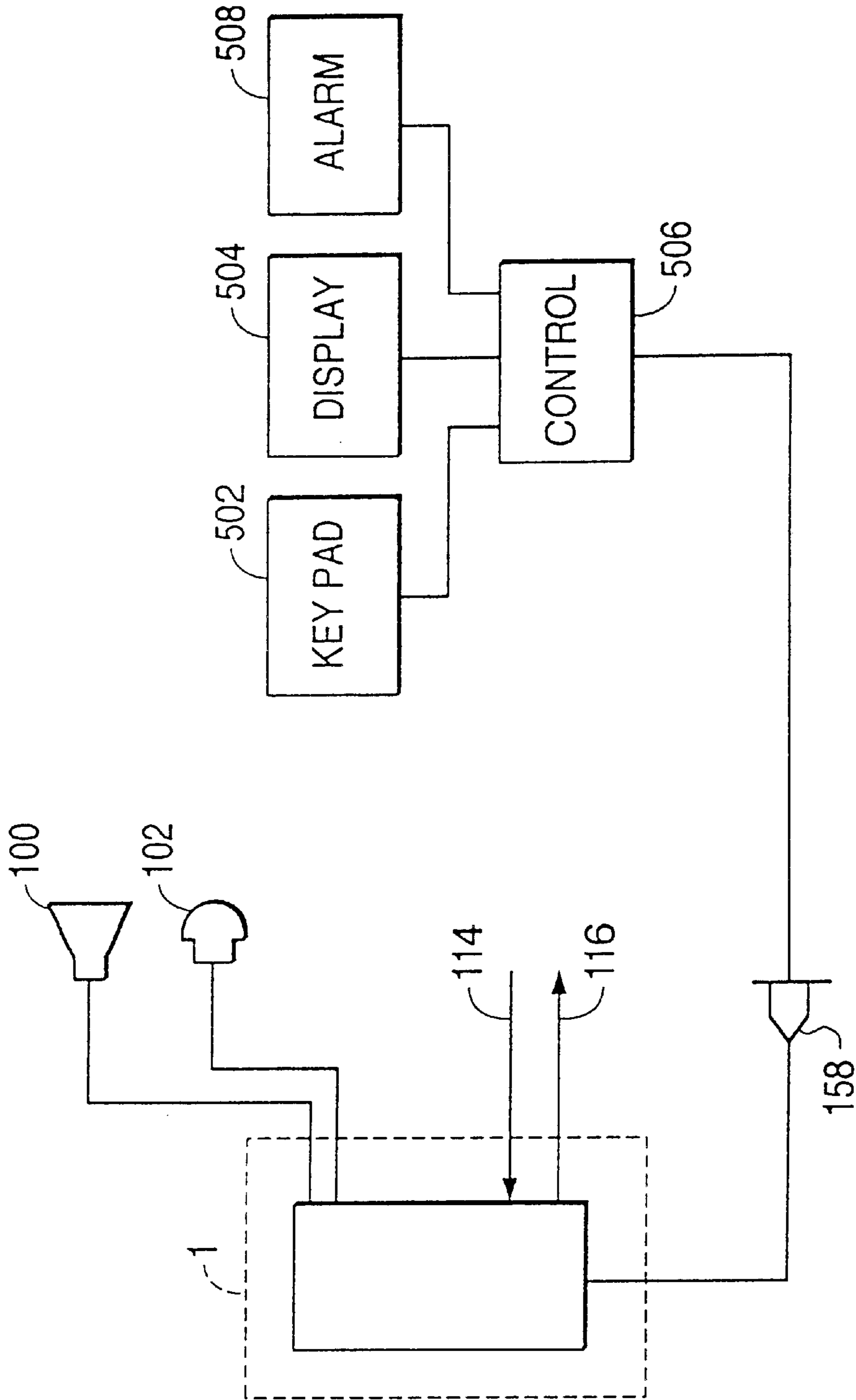


FIG. 6A

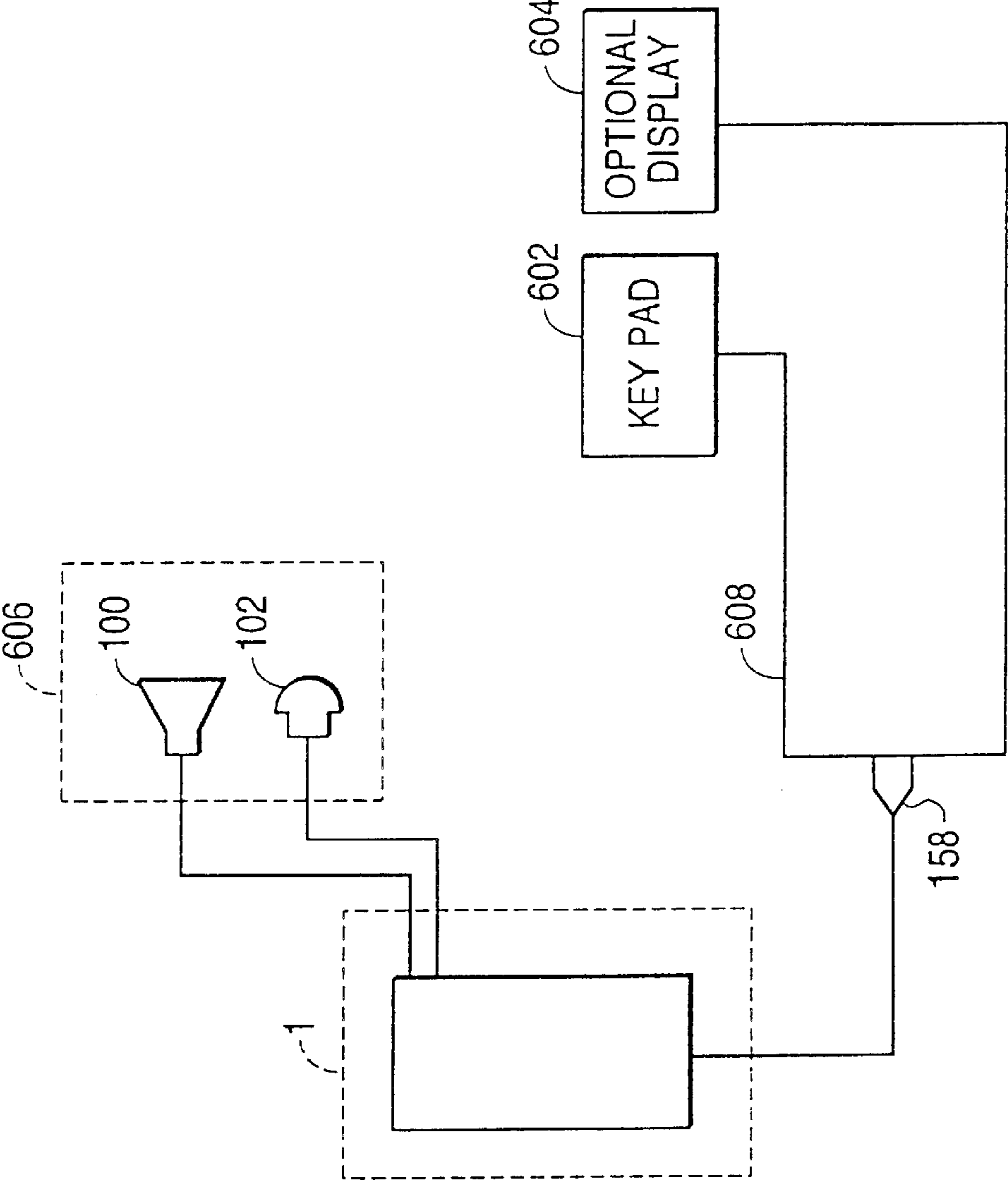


FIG. 6B

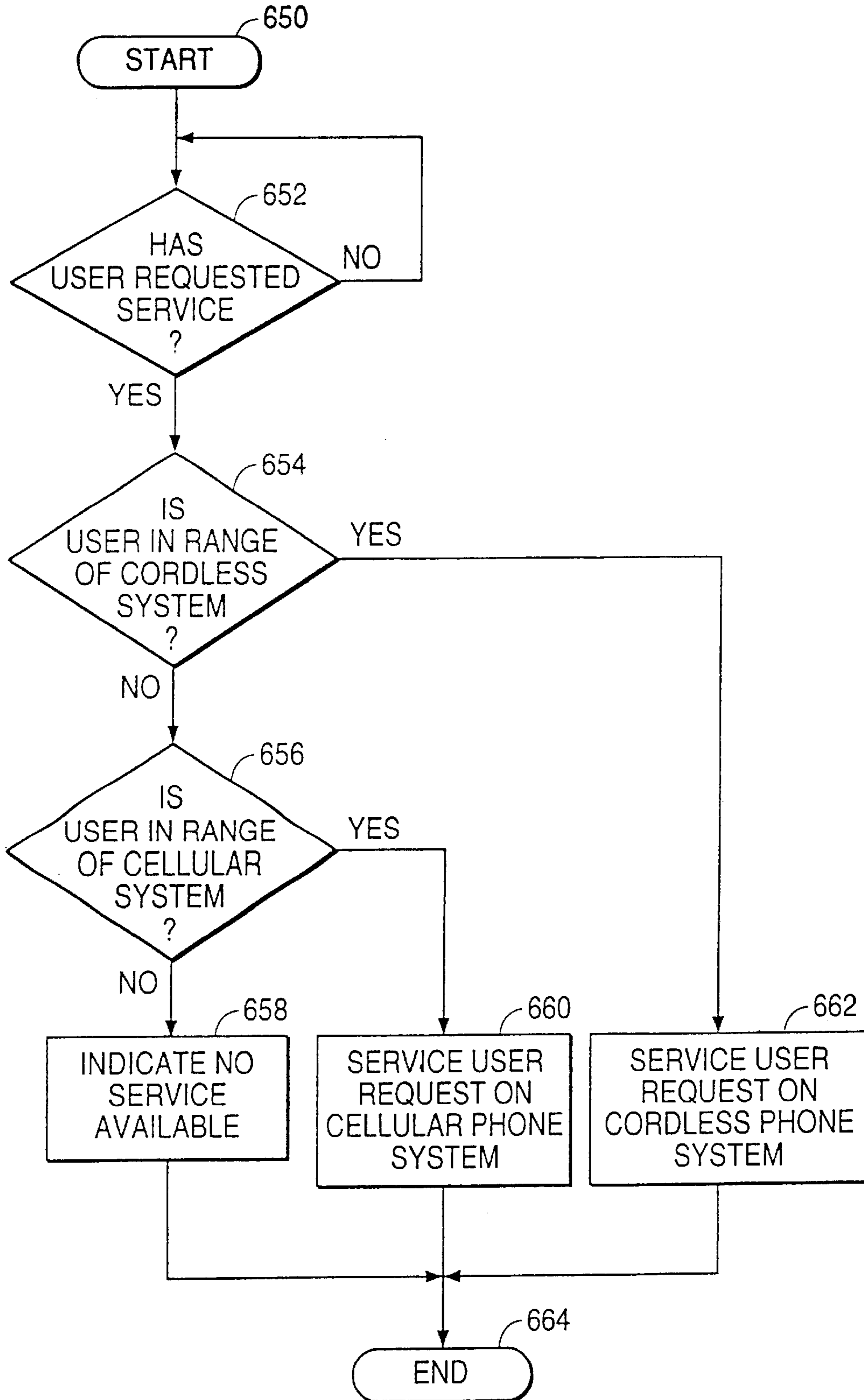


FIG. 7

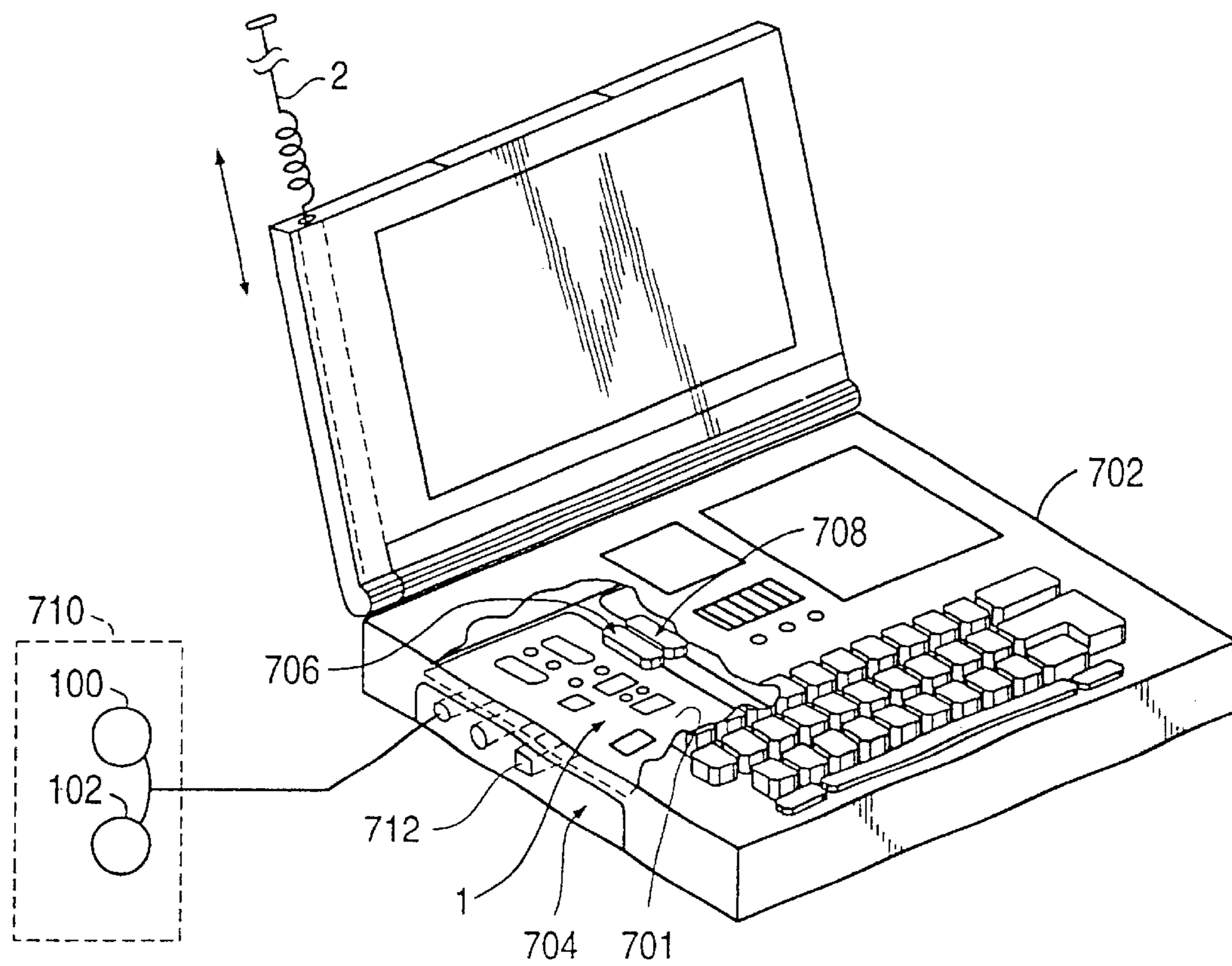


FIG. 8

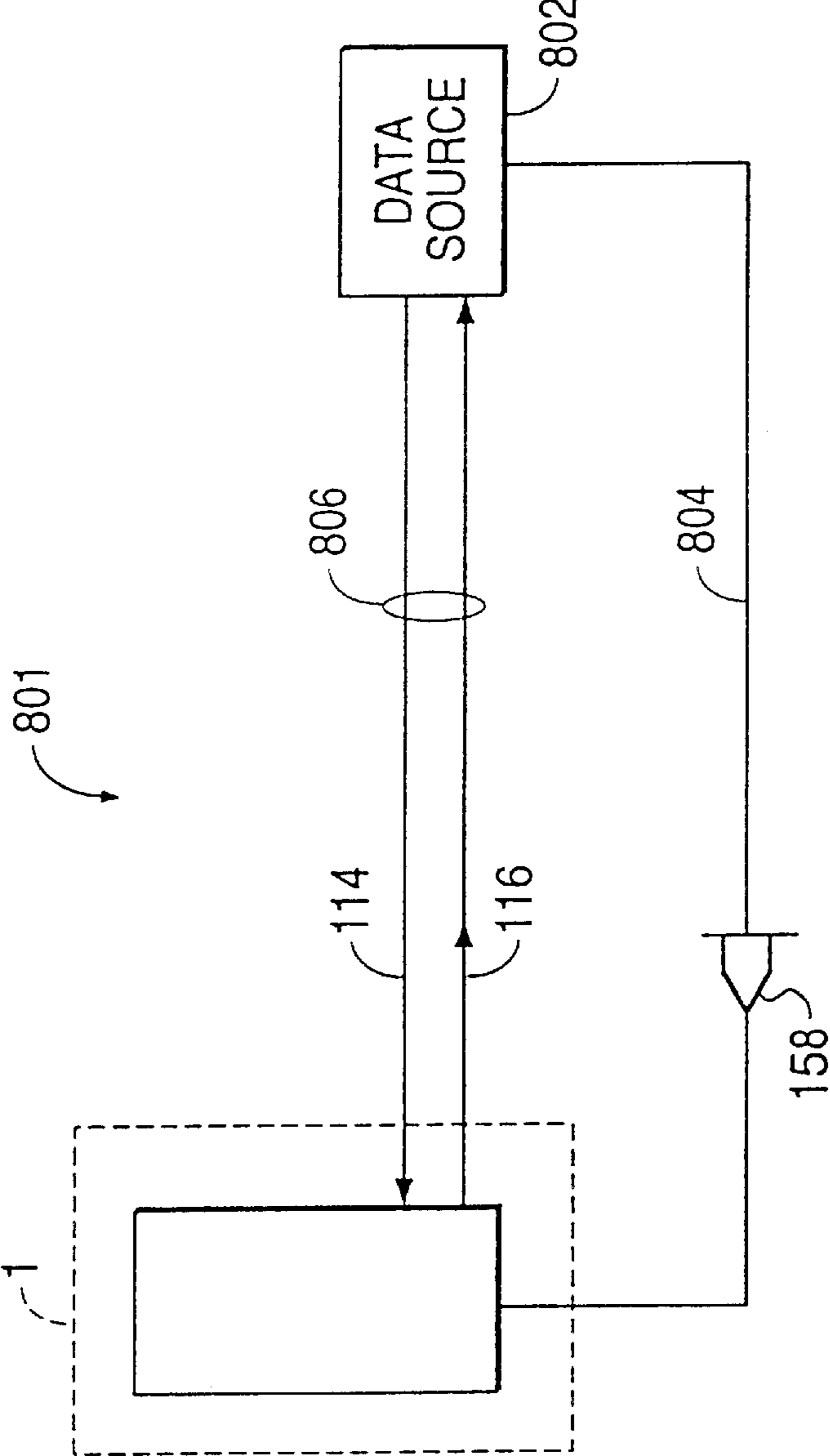


FIG. 9

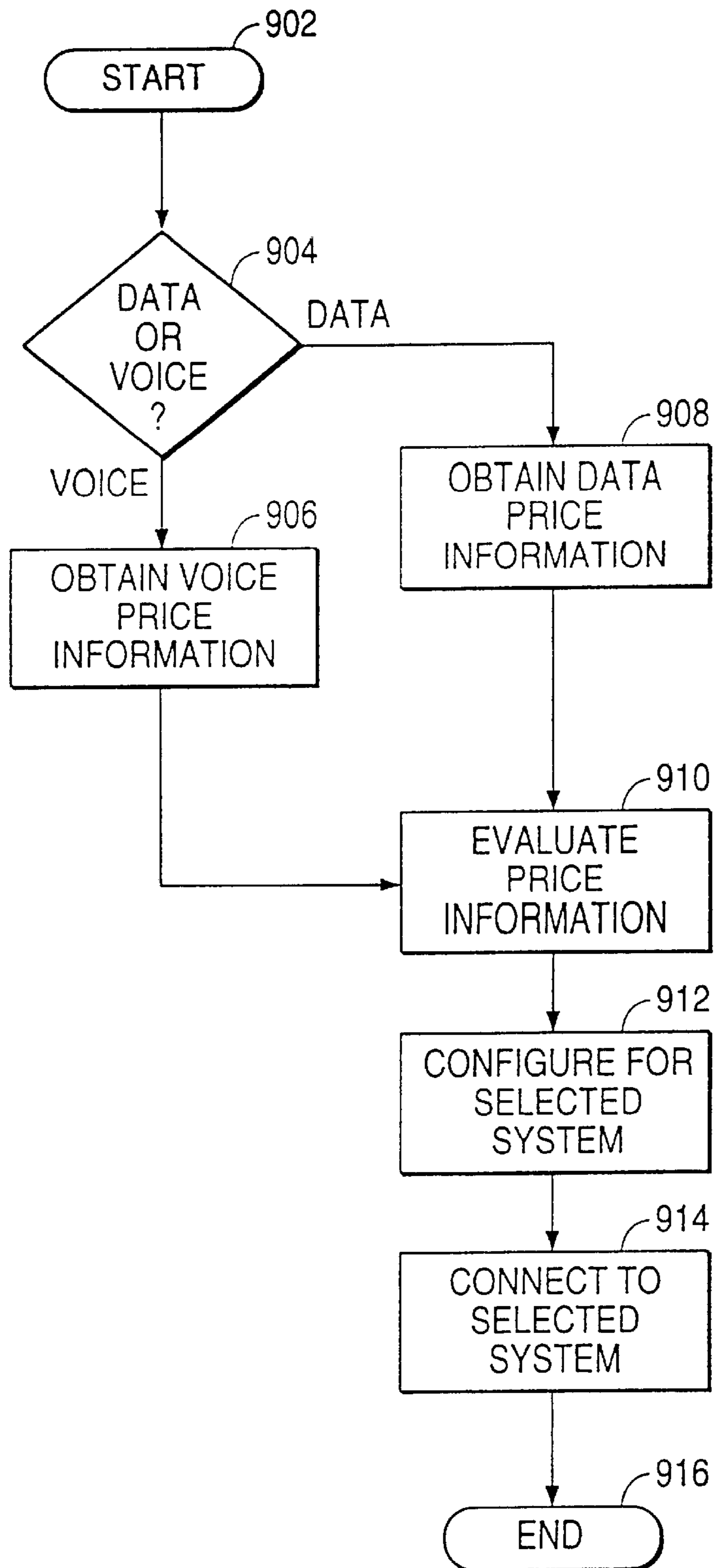


FIG. 10

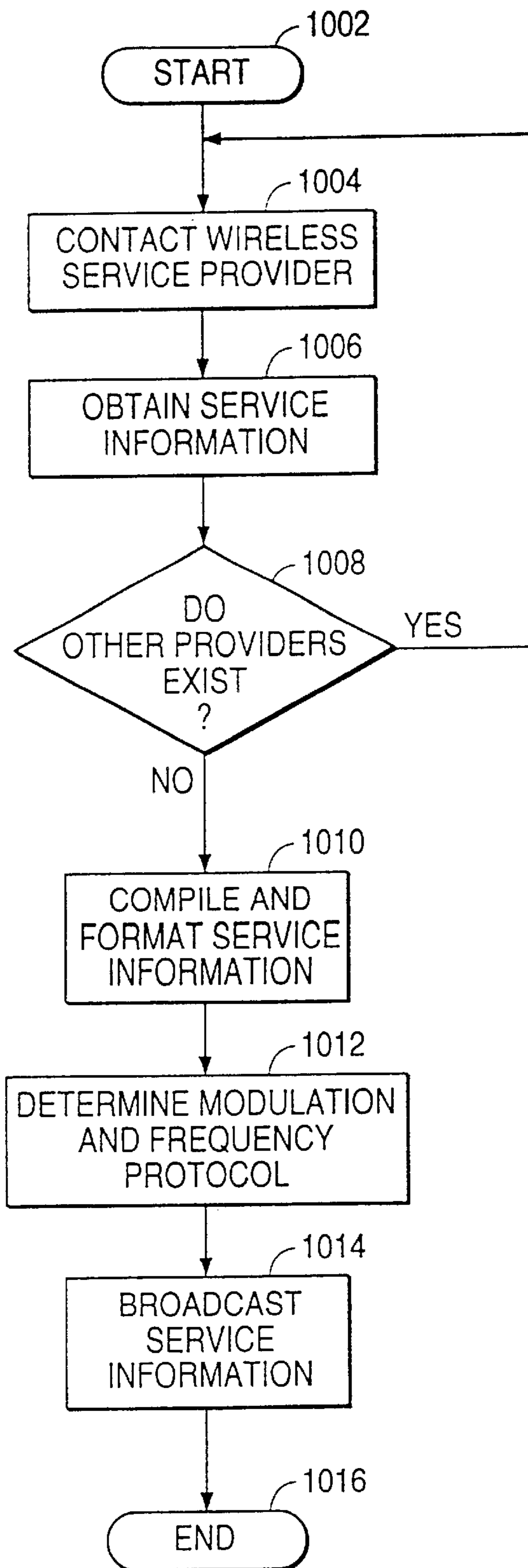


FIG. 11

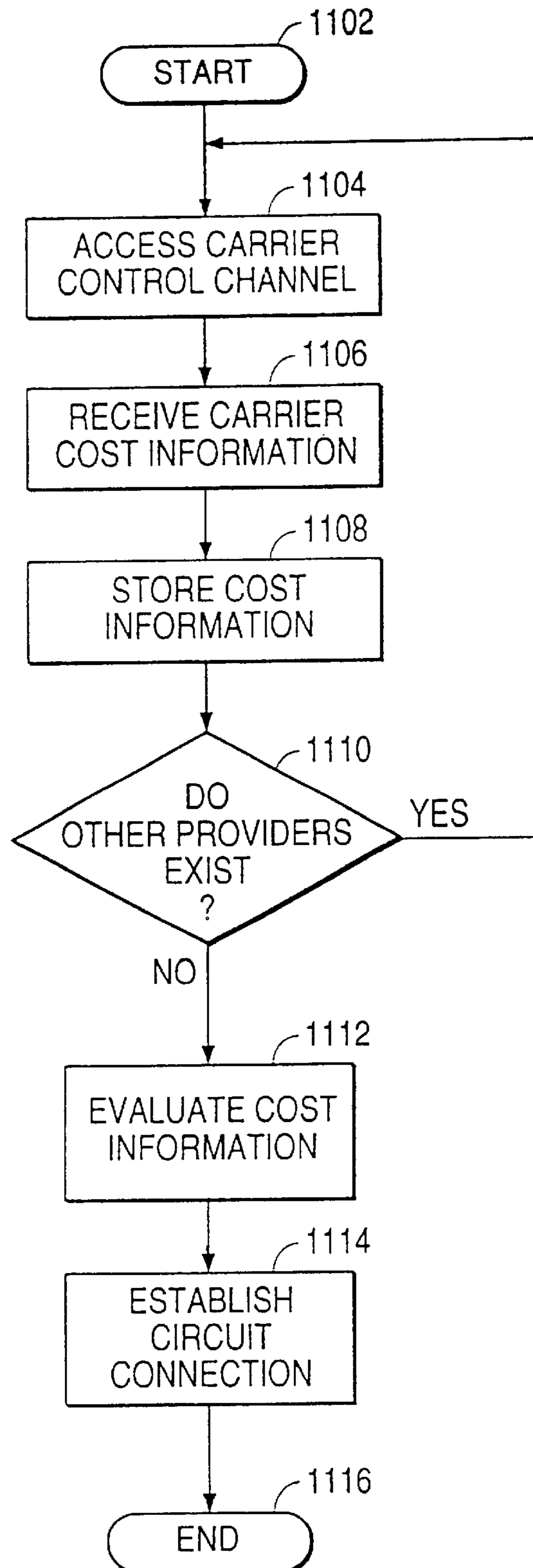


FIG. 12

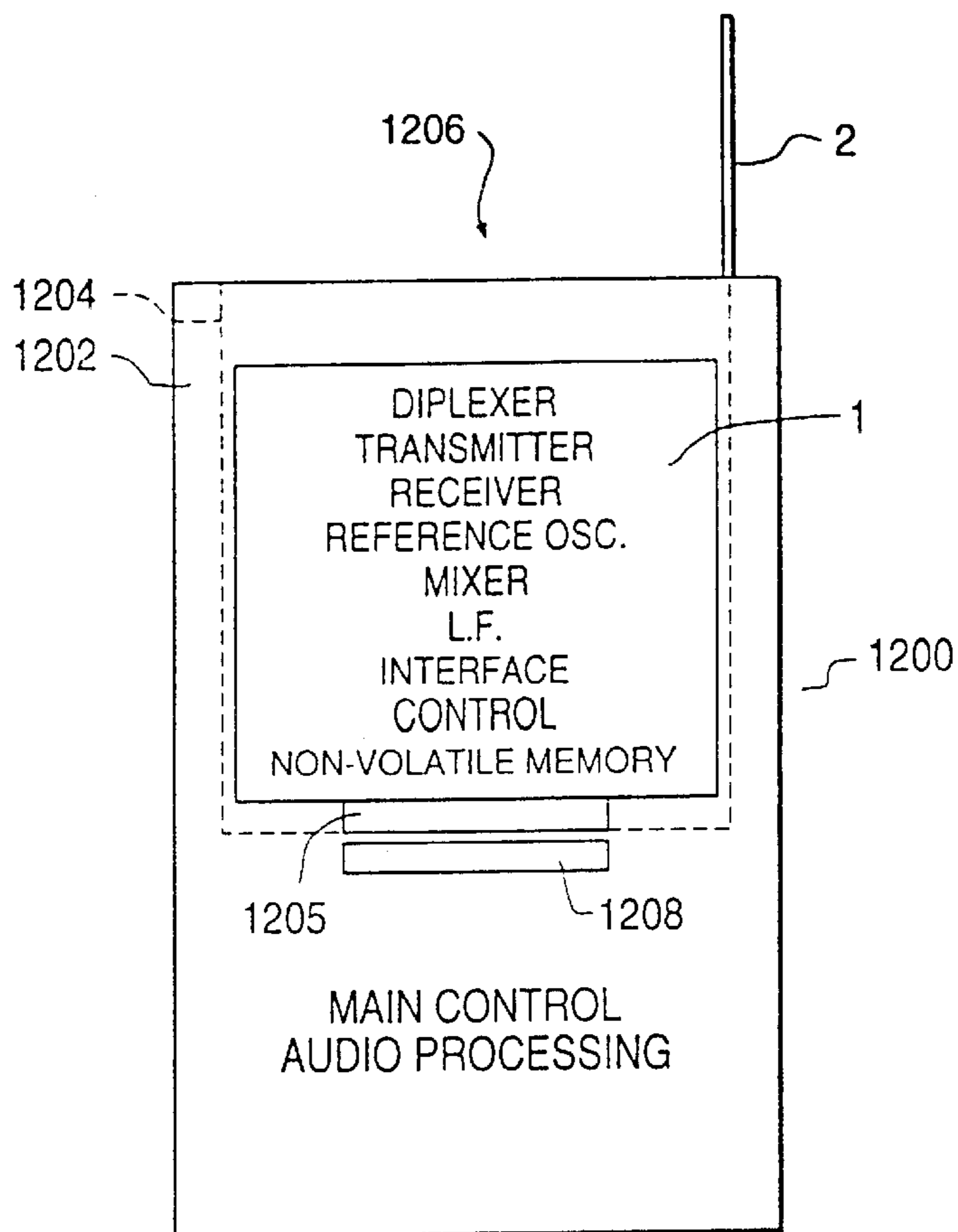


FIG. 13

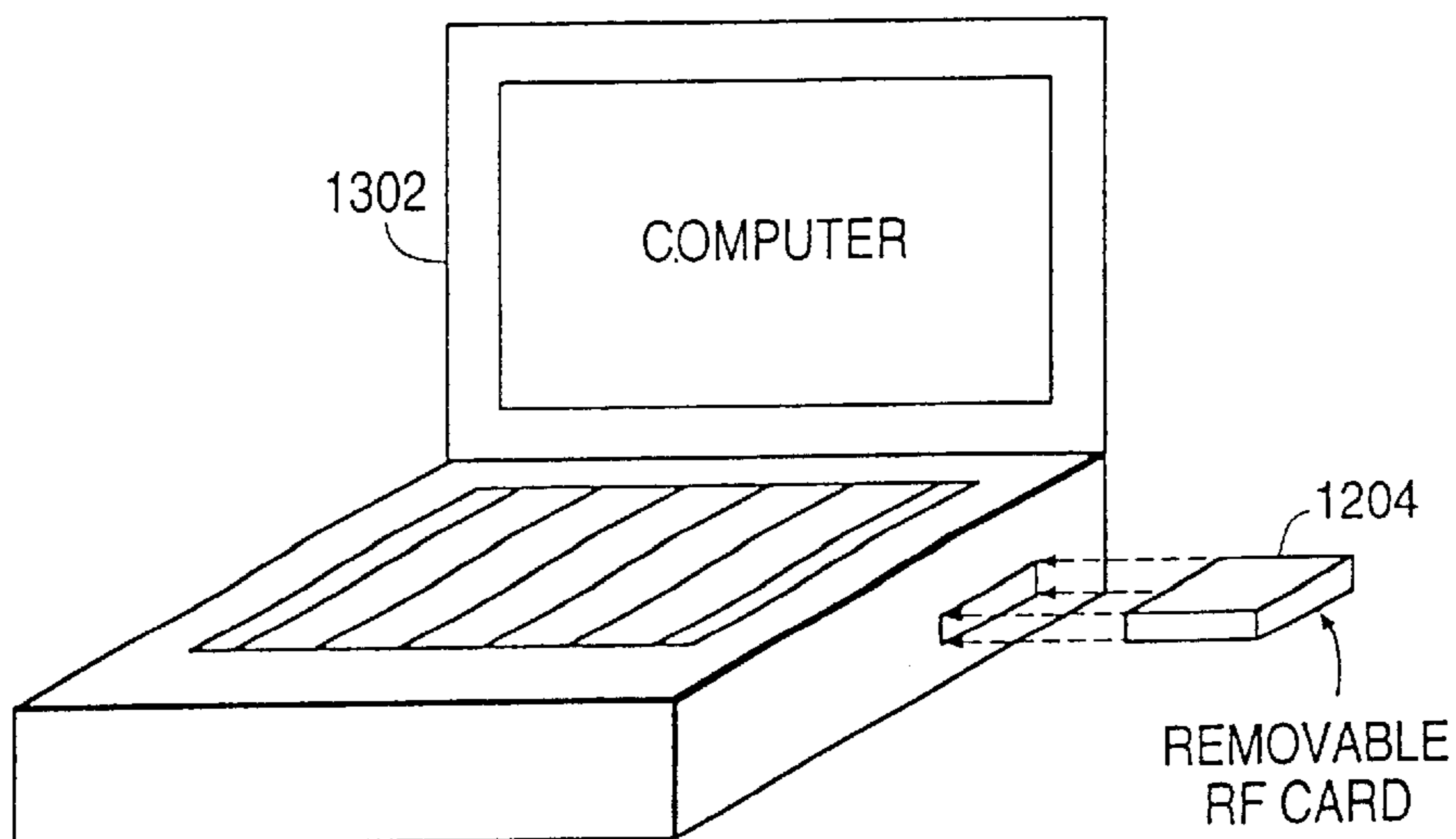


FIG. 14

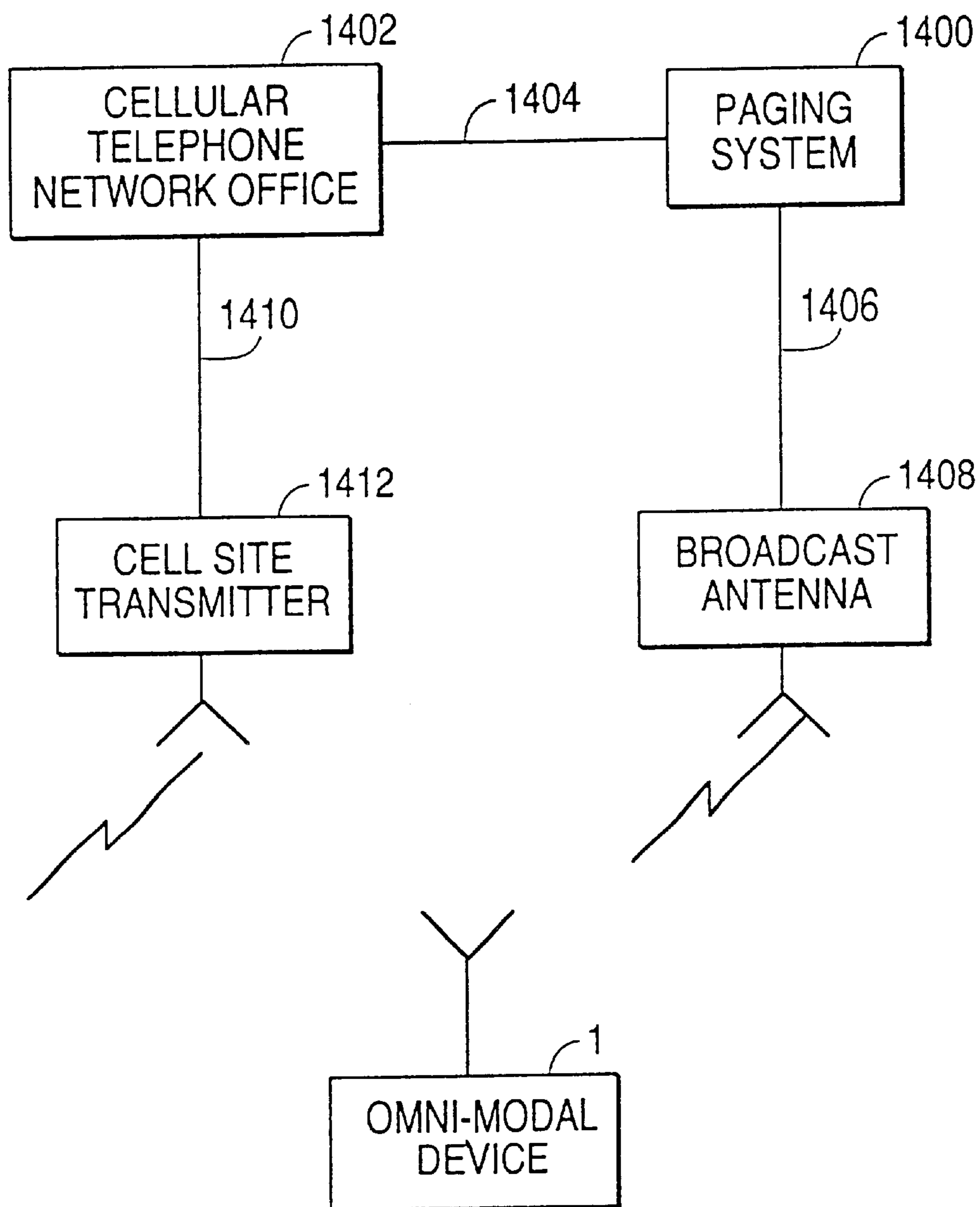
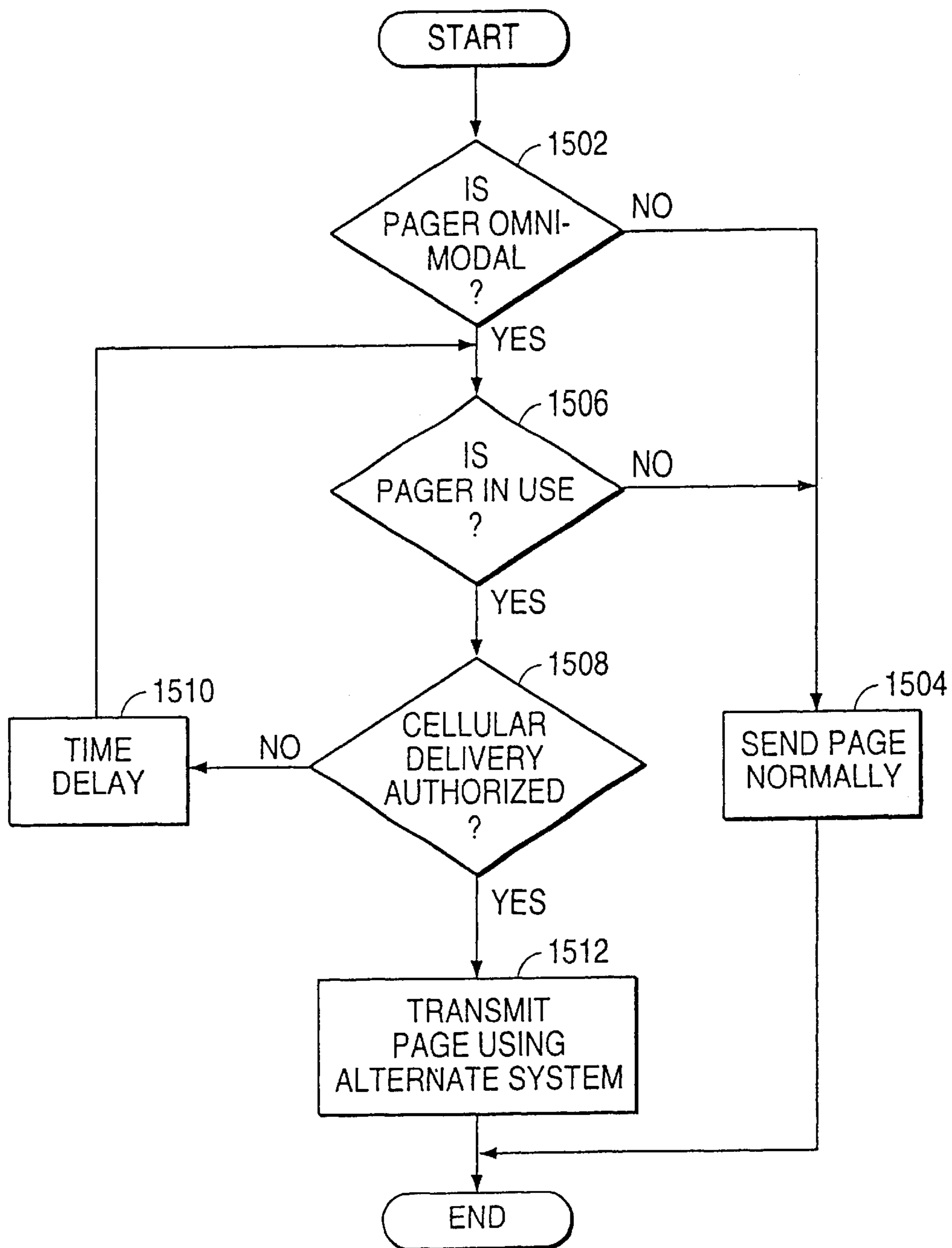


FIG. 15



**APPARATUS AND METHODS FOR
NETWORKING OMNI-MODAL RADIO
DEVICES**

Matter enclosed in heavy brackets [] appears in the original patent but forms no part of this reissue specification; matter printed in italics indicates the additions made by reissue.

This application is a Continuation of Ser. No. 08/167,002, filed Dec. 15, 1993, now abandoned.

BACKGROUND OF THE INVENTION

This invention relates generally to frequency and protocol agile, wireless communication devices and systems adapted to enable voice and/or data transmission to occur using a variety of different radio frequencies, transmission protocols and radio infrastructures.

Many communication industry experts believe that a personal information revolution has begun that will have as dramatic an impact as did the rise of personal computers in the 1980's. Such experts are predicting that the personal computer will become truly "personal" by allowing virtually instant access to information anytime or anywhere. There exists no consensus, however, on the pace or form of this revolution.

For example, the wireless communication industry is being fragmented by the emergence of a substantial number of competing technologies and services including digital cellular technologies (e.g. TDMA, E-TDMA, narrow band CDMA, and broadband CDMA), geopositioning services, one way and two-way paging services, packet data services, enhanced specialized mobile radio, personal computing services, two-way satellite systems, cellular digital packet data (CDPD) and others. Fragmenting forces within the wireless communication industry have been further enhanced by regulatory actions of the U.S. government. In particular, the U.S. government is preparing to auction off portions of the radio spectrum for use in providing personal communication services (PCS) in a large number of relatively small contiguous regions of the country. The U.S. government is also proposing to adopt regulations which will encourage wide latitude among successful bidders for the new radio spectrum to adopt innovative wireless technologies.

Until the market for wireless communication has experienced an extended "shake-out" period it is unlikely that a clear winner or group of winners will become apparent. Any portable unit which is capable of interacting with more than one service provider or radio infrastructure would obviously have advantages over a portable unit which is capable of accessing only a single service provider. Still better would be a portable unit which could be reprogrammed to interact with a variety of different service providers. Previous attempts to provide such multi modal units have produced a variety of interesting, but less than ideal, product and method concepts.

Among the known multi-modal proposals is a portable telephone, disclosed in U.S. Pat. No. 5,127,042 to Gillig et al., which is adapted to operate with either a conventional cordless base station or cellular base station. U.S. Pat. No. 5,179,360 to Suzuki discloses a cellular telephone which is capable of switching between either an analog mode of operation or a digital mode of operation. Yet another approach is disclosed in U.S. Pat. No. 4,985,904 to Ogawara directed to an improved method and apparatus for switching from a failed main radio communication system to a backup

communication system. Still another proposal is disclosed in U.S. Pat. No. 5,122,795 directed to a paging receiver which is capable of scanning the frequencies of a plurality of radio common carriers to detect the broadcast of a paging message over one of the carriers serving a given geographic region. In U.S. Pat. No. 5,239,701 to Ishii there is disclosed a radio receiver which is responsive to an RF signal containing a plurality of channel frequencies, each having broadcast information, and a circuit for producing a wide band version of the received RF signal and a circuit for producing a narrow band version of the received RF signal.

While multi-modal in some regard, each of the technologies disclosed in the above listed patents is highly specialized and limited to a specific application. The systems disclosed are clearly non-adaptive and are incapable of being easily reconfigured to adapt to different transmission protocols or different radio infrastructures. Recently, Motorola has announced beta testing of a system called "MoNet" which will allegedly allow users to operate on whatever wireless network happens to be available using protocol and frequency agile radio modems. The MoNet technology will be integrated in both networks and mobile devices and will permit first time users to fill out an electronic application, transmit it, and receive a personal ID to allow the user to operate on any of several mobile networks yet receive just one bill. Another provider of an open system is Racotek of Minneapolis, Minn. which offers client server architecture designed to be portable across different mobile devices, host platforms, and radio infrastructures.

While the limited attempts to deal with the fragmentation of the wireless communication industry have had some merits, no one has yet disclosed a truly self adaptive, omni-modal wireless product which enables an end user to access conveniently various wireless services in accordance with a selection process which is sufficiently under the control of the end user.

SUMMARY OF THE INVENTION

A fundamental objective of the subject invention is to overcome the deficiencies of the prior art by providing a truly omni-modal wireless system and method which is adaptive to the selectively variable desires of the end user and is reconfigurable to allow maximum utilization of the total radio frequency spectrum assigned in any given geographic area for wireless communication.

Another more specific object of the subject invention in the provision of multiple portable product in the hands of plural individual users wherein each portable product would be capable of utilizing any one of the wireless data services within a given geographic area based on a user determined criteria such as: (1) the cost of sending a data message, (2) the quality of transmission link (signal strength, interference actual or potential), (3) the potential for being bumped off of the system (is service provider at near full capacity), (4) the security of transmission, (5) any special criteria which the user could variably program into his omni-modal wireless product based on the user's desires or (6) any one or more combinations of the above features that are preprogrammed, changed or overridden by the user.

Another object of the subject invention is to provide plural omni-modal wireless products which would allow for adaptive service provider selection based on user experience with specific service providers.

A more specific object of the subject invention is to provide plural omni-modal wireless products which would

have the effect of inducing intense competition for customers among various wireless data service providers based on quality of service and price by allowing the user to easily and conveniently identify the service providers that best meet the user's performance requirements.

Another object of the invention is to provide a network of omni-modal wireless products and service providers which is designed to provide the most business and profit making potential to the service providers who best meet the varying demands of the greatest number of omni-modal wireless product users.

Still another objective of the subject invention is to promote and encourage introduction of innovative technology which will satisfy the desires of end users to receive the best possible quality wireless service at the lowest possible cost by promoting real time adaptive price and service competition among cell service providers.

Another objective of the subject invention is to allow wireless service providers to broadcast electronically as part of any "handshaking" procedure with a omni-modal wireless product information such as (1) rate information and (2) information regarding system operating characteristics such as percent of system capacity in use and/or likelihood of being dropped.

Still another objective of the subject invention is to create a user oriented source enrollment and billing service in the wireless data market by establishing uniform standard for "handshakes" to occur between cell service providers and omni-modal wireless products.

A more specific object of this invention is to provide a network of wireless service providers adapted to interact with a population of omni-modal wireless products within a given geographic area in a manner to permit the wireless service providers to "borrow" radio frequencies from other wireless service providers within the same geographic region. As a cellular service provider in a given region finds that one of its service areas or cells has become nearly or fully loaded, frequency could be borrowed from a competitor, such as a PCS provider serving the same region. Selected omni-modal wireless product users in the overloaded area would be told to switch their omni-modal to the "leased" frequency but to use the non-PCS communications protocol appropriate to the type of service desired by the user. Implementation of this method broadly within a given geographic region will have the effect of insuring that the available radio spectrum is used to its maximum capacity to serve the needs of the wireless users on a real time basis.

These objects, and others which will be apparent to those skilled in the art upon review of the specification, are achieved in the present invention by an omni-modal radio circuit implemented by a standard radio computing chip or chipset which can serve as a computer (special or general purpose), or as an interface to a general purpose personal computer. The chip preferably includes a modem and associated processing circuits. So that it can perform at least basic processing functions such as displaying data, accepting input, etc., the chip may also incorporate at least a basic microprocessor. The processor may provide only predetermined functions, accessible through a standard applications programming interface, or in more advanced designs the processor can run other software or firmware added by the product maker. Exemplary processor functions of the chip include radio network interface control (call placement, call answering), voice connection, data transmission, and data input/output. The chip can be used to implement a variety of omni-modal devices and can provide computing resources to operate fundamental communications programs.

BRIEF DESCRIPTION OF THE DRAWINGS

FIG. 1 are block schematic diagrams of an omni-modal radio communications circuit according to the present invention;

FIG. 2 is a block schematic diagram of an advanced cellular telephone implemented using an omni-modal radio communications circuit according to the present invention;

FIG. 3 is a block schematic diagram of a personal communicator implemented using an omni-modal radio communications circuit according to the present invention;

FIG. 4A is a plan view of the front of a data transmission and display radiotelephone implemented using an omni-compatible radio communications circuit;

FIG. 4B is a plan view of the back of a data transmission and display radiotelephone implemented using an omni-compatible radio communications circuit;

FIG. 5 is a block schematic diagram of a telephone/pager implemented using the present omni-modal radio communications circuit;

FIG. 6A is a block schematic diagram of a dual mode cellular/cordless landline telephone implemented using the present omni-modal radio communications circuit;

FIG. 6B is a flowchart showing a method of operation of a dual mode cellular/cordless landline telephone according to the present invention;

FIG. 7 is a block schematic diagram of a personal computer incorporating an omni-modal radio communications circuit;

FIG. 8 is a block schematic diagram of a special purpose radio data transmitting device implemented using an omni-modal radio communications circuit;

FIG. 9 is a flowchart showing a radio system selection method by which information carriers are selected according to varying specified criteria;

FIG. 10 is a flowchart showing a method of broadcasting local carrier information to facilitate carrier selection by customers for a particular information transmission task;

FIG. 11 is a flowchart showing a handshake sequence for arranging information transmission using the omni-modal device of the present invention;

FIG. 12 is a plan view of a modular implementation of the omni-modal radio communications circuit of the present invention installed in a cellular telephone;

FIG. 13 is a plan view of a modular implementation of the omni-modal radio communications circuit of the present invention installed in a personal computer;

FIG. 14 is a block schematic diagram showing a system for relaying paging signals to the omni-modal device of the present invention using a cellular telephone system; and

FIG. 15 is a flowchart showing a method of relaying paging signals to the omni-modal device of the present invention.

DETAILED DESCRIPTION OF THE PREFERRED EMBODIMENTS

A preferred embodiment of a standardized radio processing circuit 1 is shown in FIGS. 1A and 1B. The standardized radio processing circuit 1, shown in FIGS. 1A and 1B taken together, may be implemented on a single VLSI chip or on a set of VLSI chips making up a chipset. As will be seen, this chip or chipset provides a standard building block which can be used to make a plurality of consumer products that provide data transmission capability. As will be seen later

5

with reference to FIGS. 2 through 8, by adding minimal external components to the standardized circuit 1, a wide variety of products can be produced. Also, as will be seen, the standardized circuit 1 can be advantageously implemented on a removable card with a standardized interface connector or connectors, so that it can then be selectively inserted into and removed from a variety of devices to provide the devices with radio information transmission capability.

In terms of the preferred functional and operational characteristics of circuit 1, it is particularly significant that this circuit provides a multi-modal or omni-modal communications capability. That is, circuit 1 can be adjusted by the user, or automatically under stored program control, to transfer information over at least two different radio communications networks, and preferably all networks available in a particular area within the frequency range of the transceiver of circuit 1.

Examples of radio communications networks which circuit 1 may be designed to use include commercial paging networks; the U.S. cellular telephone network or Advanced Mobile Phone System (AMPS); alternative cellular telephone network standards such as the European standard; digitally modulated radiotelephone systems operating under various encoding techniques such as TDMA, CDMA, E-TDMA, and BCDMA; Cellular Digital Packet Data (CDPD); Enhanced Specialized Mobile Radio (ESMR); ARDIS; Personal Cellular Systems (PCS); RAM; global positioning systems; FM networks which transmit stock prices or other information on subcarriers; satellite-based networks; cordless landline telephones (such as 49 Mhz and particularly 900 Mhz systems); and wireless LAN systems. Preferably, circuit 1 is also designed to use the landline/public switched telephone network (PSTN).

As another feature, the omni-modal circuit 1 may perform local positioning calculations to accurately determine its location by monitoring precisely synchronized timing signals which may be broadcast by cell sites for this purpose. If such timing signals were provided, the omni-modal circuit 1 could receive the signals, determine the relative time delay in receiving at least three such signals from different transmitter locations, and triangulate to determine the distance of the omni-modal circuit to each of the transmitters. If the omni-modal circuit 1 is installed in a vehicle, this information may be used to determine the location of the vehicle.

As will be seen, for each system which can be accessed by circuit 1, appropriate cross connections are provided between the radio circuit or landline interface, as selected, and voice or data sources and destinations. The appropriate cross connections are established under program control and include conversions between digital and analog signal forms at appropriate points in cases where a signal in one form is to be transmitted using a method for which a different signal form is appropriate. The operating parameters of the transceiver may be optimized by a digital signal processor for either voice or data transmission.

In addition, a library of command, control and data transmission protocols appropriate for each supported system may be included in circuit 1, and the device can implement the correct protocols by consulting a lookup table during transmissions to obtain the data channel protocols appropriate to the system selected. In another embodiment, the library of command, control, and data transmission protocols may be replaced, or supplemented, by information transmitted over the radio frequencies to the device by the carrier, or information downloaded from a hardwired con-

6

nection to another device. Flash memory, EEPROMs, or non-volatile RAM can be used to store program information, permitting replacement or updating of the operating instructions used by the device.

As examples, the library functions accessible by the device (and also by external devices which may call the library functions) may include the following: Select RF modulation frequency; select RF modulation protocol; select data formatting/conditioning protocol; transmit data in input stream using selected network and protocol; select output; select input; select data/voice mode; answer call; generate DTMF tones and transmit on selected network; scan for control channels/available systems; obtain cost information for current selected system; obtain cost information for all systems; obtain operating quality information for current system; obtain operating quality information for all systems; request transmission channel in system; obtain signal strength for current channel; obtain signal strength for all active systems; and initiate a transmission on the selected network.

FIG. 1A shows a block schematic diagram of a preferred embodiment of an omni-modal radio communication radio frequency (RF) circuit. In the example shown, the RF circuit includes antenna 2, diplexer 4, amplifier 6, transmit mixer 8, receiver mixer 10, programmable local oscillator 12, modulation selector switches 14 and 16, analog detector-demodulator 18, digital demodulator 20, analog modulator 22, digital modulator 24, voice grade channel output 26, digital output 28, voice grade channel input 30, and digital input 32.

Voice grade channel output 26 is connected to analog detector-demodulator 18 and digital output 28 is connected to digital demodulator 20. Analog detector-demodulator 18 and digital demodulator 20 are selectively connected to receiver mixer 10 through switch 14. Receiver mixer 10 is connected to both local oscillator 12 and diplexer 4. Diplexer 4 is connected to antenna 2. These components provide radio frequency receive circuitry that allows selective reception and demodulation of both analog and digitally modulated radio signals.

Voice grade channel input 30 is connected to analog modulator 22 and digital input 32 is connected to digital modulator 24. Analog modulator 22 and digital modulator 24 are selectively connected to transmit mixer 8 through switch 16. Transmit mixer 8 is connected to both local oscillator 12 and amplifier 6. Amplifier 6 is connected to diplexer 4 and diplexer 4 is connected to antenna 2. These components comprise radio frequency transmit circuitry for selective transmission of analog or digitally modulated radio signals.

The operation of the omni-modal radio communication RF circuit shown in FIG. 1A will now be described in more detail. Antenna 2 serves to both receive and transmit radio signals. Antenna 2 is of a design suitable for the frequency presently being received or transmitted by the RF circuit. In the preferred embodiment, antenna 2 may be an antenna suitable for receiving and transmitting in a broad range about 900 Mhz. However, different antennas may be provided to permit different transceiver ranges, including dipole, yagi, whip, micro-strip, slotted array, parabolic reflector, or horn antennas in appropriate cases.

Diplexer 4 allows antenna 2 to receive broadcast radio signals and to transmit the received signals to the demodulators 18 and 20, and to allow modulated radio signals from modulators 22 and 24 to be transmitted over antenna 2. Diplexer 4 is designed so that signals received from ampli-

7

fier 6 will be propagated only to antenna 2, while signals received from antenna 2 will only be propagated to receiver mixer 10. Diplexer 4 thus prevents powerful signals from amplifier 6 from overloading and destroying receiver mixer 10 and demodulators 18 and 20.

The receive path of the omni-modal RF circuit comprises receiver mixer 10, which is connected to, and receives an input signal from, diplexer 4. Receiver mixer 10 also receives a reference frequency from local oscillator 12. Receiver mixer 10 converts the signal received from diplexer 4 to a lower frequency signal and outputs this intermediate frequency on output line 36 to switch 14. Switch 14 is connected through control line 38 to a microprocessor (not shown). Control line 38 selectively controls switch 14 to pass the intermediate frequency signal on output line 36 to either analog detector-demodulator 18 or to digital demodulator 20. This selection is controlled based upon the type of signal currently being received. For example, if the omni-modal circuit 1 is tuned to an analog communication system, switch 14 would be connected to analog detector demodulator 18. If, however, the omni-modal circuit 1 is receiving a digital modulated signal, switch 14 would be in a state to allow an intermediate frequency on output line 36 to be transmitted to digital demodulator 20.

Analog detector demodulator 18 receives analog signals through switch 14 from receiver mixer 10 on output line 36. Analog detector demodulator converts the RF modulated signal received as an intermediate frequency into a voice grade channel or VGC. The voice grade channel may comprise an audio frequency spectrum going from approximately 0 Hz to approximately 4 KHz. Analog detector demodulator 18 is designed for demodulation of analog radio frequency signals. For example, analog detector demodulator would be capable of demodulating a frequency modulated (FM) radio signals. Analog detector demodulator 18 may also be capable of demodulating amplitude modulated (AM) radio signals.

Digital demodulator 20 is designed to demodulate digital signals received from receiver mixer 10 through switch 14. Digital demodulator 20 is designed to demodulate digital signals such as, for example, pulse code modulation (PCM), time division multiple access (TDMA), code division multiple access (CDMA), extended time division multiple access (E-TDMA) and broad band code division multiple access (BCDMA) signals. The output 28 from digital demodulator 20 could consist of a digital bit stream.

The transmit circuitry of the omni-modal RF circuit will now be described in detail. Analog voice grade channel signals can be received over analog input 30 which is connected to analog modulator 22. Analog modulator 22 acts to modulate the received voice grade channel onto an intermediate frequency signal carrier. Analog modulator 22 would be capable of modulating frequency modulation (FM) or amplitude modulation (AM) signals, for example.

As can be seen in FIG. 1A, analog modulator 22 is connected to switch 16. The intermediate frequency output from analog modulator 22 on output line 42 is sent to switch 16. Switch 16 is connected to a microprocessor (not shown) in a manner similar to switch 14 described above. Switch 16 is capable of selectively connecting transmit mixer 8 to either analog modulator 22 or digital modulator 24. When switch 16 is connected to analog modulator 22 through output line 42, analog modulated signals are transmitted to transmit mixer 8.

Digital input can be received by the transmit portion of the RF modulator circuitry through digital input 32. Digital

8

input 32 is connected to digital modulator 24 which acts to modulate the received digital data onto an intermediate frequency RF carrier. Digital modulator 24 may preferably be capable of modulating the signal into a PCM, TDMA, E-TDMA, CDMA and BCDMA format. The output 44 of digital modulator 24 is connected to switch 16. Switch 16 can be controlled through control line 40 to select the digital modulated signal on output 44 and to selectively transmit that signal to transmit mixer 8.

Transmit mixer 8 is connected to programmable local oscillator 12 which is capable of generating frequencies that cover the frequency spectrum of the desired communication systems. Transmit mixer 8 operates in a manner well known in the art to convert the intermediate frequency signal received from switch 16 to a radio frequency for transmission over a radio communication system. The output of transmit mixer 8 is connected to amplifier 6. Amplifier 6 acts to amplify the signal to insure adequate strength for the signal to be transmitted to the remote receiving station. Amplifier 6 may be connected to control circuitry to allow the power output of amplifier 6 to be varied in accordance with control signals received from the control circuitry. The output of amplifier 6 is connected to diplexer 4 and, as described above, to antenna 2.

FIG. 1B is a block schematic diagram of the input and control circuitry of omni-modal circuit 1. As can be seen from FIG. 1B, the input and control circuitry comprises speaker 100, microphone 102, voice processing circuitry 104, digital to analog converter 106, analog to digital converter 108, first selection switch 122, microprocessor 110, memory 112, data input 114, data output 116, data processing circuitry 118, second selector switch 120 and modem 124.

Microprocessor 110 is connected to memory 112 and operates to control the input circuitry as well as the programmable local oscillator 12 and switches 14 and 16 shown in FIG. 1A. Memory 112 can contain both data storage and program information for microprocessor 110. Microprocessor 110 may be any suitable microprocessor such as an Intel 80X86 or Motorola 680X0 processor. Memory 112 contains a program that allows microprocessor 110 to selectively operate the voice processing circuitry, data processing circuitry and switches to select the appropriate transmission channel for the communication signal currently being processed. In this manner, microprocessor 110 allows omni-modal circuit 1 to selectively operate on a plurality of radio communication systems.

As can be seen in FIG. 1B, an externally provided speaker 100 and microphone 102 are connected to voice processing circuitry 104. Voice processing circuitry 104 has output 142 and input 144. Voice processing output 142 is connected to switch 122. Similarly, voice processing input 144 is connected to switch 122. Switch 122, which may be an electronic analog switch, comprises two single pole double throw switches which operate in tandem to selectively connect voice output 142 and voice input 144 to appropriate data lines. Switch 122 is connected through control line 146 to microprocessor 110. Control line 146 allows microprocessor 110 to selectively operate switch 122 in response to commands received from the user or in response to a program in memory 112. In a first position, switch 122 connects voice processing input 144 to voice grade channel output 126. Referring to FIG. 1A, voice grade output 126 is connected to the output 26 of analog detector demodulator 18. In this manner, voice processing circuitry 104 is able to receive demodulated analog voice signals from analog detector demodulator 18. When voice processing input 144

is connected to 126, voice processing output 142 will be connected to voice input 130. As can be seen in FIG. 1A, voice input 130 is connected to voice grade channel input 30 of analog modulator 22. In this manner, voice processing circuitry 104 can transmit voice through the transmit circuitry of FIG. 1A.

If switch 122 is changed to its alternate state, voice processing input 144 will be connected to digital to analog converter 106. Digital to analog converter 106 is connected to digital input 128 which, referring to FIG. 1A, is connected to digital output 28 of digital demodulator 20. Digital to analog converter 106 acts to receive a digital information bit stream on digital input 128 and to convert it to an analog voice grade channel. The analog voice grade channel from digital to analog converter 106 is sent through voice input 144 to voice processing circuitry 104. Voice processing circuitry 104 can then amplify or alter the voice grade channel signal to the taste of the user and outputs the signal on speaker 100. Voice processing output 142 is connected to analog to digital converter 108 which in turn is connected to digital output 132. Digital output 132 is connected in FIG. 1A to digital input 32 and to digital modulator 24. In this manner, voice processing circuitry 104 is capable of transmitting a voice or other analog voice grade channel signal through a digital modulation system.

As noted above, omni-modal circuit 1 is capable of transmitting data over a plurality of radio frequency communication systems. As can be seen in FIG. 1B, data input 114 and data output 116 are connected to data processing circuitry 118. Data input 114 allows the processing circuitry to receive data from any number of user devices. The format of the data received on data input 114 may be variable or standardized depending on the circuitry provided in data processing circuitry 118. For example, data input 114 may use a standard RS-232 serial interface to receive data from a user device. Data input 114 may also use a parallel twisted pair of HPIB interface as well. Data output 116 similarly transmits data in a format compatible with the equipment being used by the user. Data processing circuitry 118 is connected to microprocessor 110 which acts to control the formatting and conditioning of the data done by data processing circuitry 118. For example, data processing circuitry 118 may add protocol information or error correction bits to the data being received on data input 114. Conversely, data processing circuitry 118 may act to remove overhead bits such as protocol or error correction bits from the data prior to its output on data output 116. Data processing circuitry 118 is connected to switch 120 through data output 150 and data input 152. Switch 120 operates in a manner similar to that described with respect to switch 122 above. Switch 120 is connected to microprocessor 110 through control line 148. Microprocessor 110 operates to control switch 120 to selectively connect the data output 150 to either digital circuit output 140 or to modem input 156. Switch 120 also operates to connect digital data input 152 to either digital input 138 or digital modem output 154. Modem 124 may be any standard modem used to modulate digital data onto an analog voice grade channel. For example, modem 124 may incorporate a modem chip set manufactured by Rockwell International Corporation that receives digital data and modulates it into a 4 KHz band width for transmission over standard telephone systems. Modem input 156 receives data from data processing circuitry 118 through data input 152 and switch 120. The data received over modem input 156 is modulated onto a voice grade channel and output on modulated modem output 136. Modulated modem output 136 is connected to voice grade channel input 30 of analog modu-

lator 22 shown in FIG. 1A. Similarly, digital modem output 154 receives demodulated baseband signal from modem 124. The modulated data signal is received by modem 124 from modem input 134, which is connected to voice grade channel output 26 of analog detector demodulator 18. Modem 124 acts to demodulate the data received over modem input 134 and outputs a digital data stream on digital modem output 154. This digital data stream is connected through switch 120 and data input 152 to data processing circuitry 118. As described above, data processing circuitry 118 conditions and formats the data received from the modem and outputs the data to the user on data output 116. If the user has selected a digital RF transmission system, it is not necessary to use modem 124. In this case, switch 120 is operated so that the digital data output 150 from data processing circuitry 118 is connected through digital output 140. Digital output 140 is connected to digital input 32 of digital modulator 24 shown in FIG. 1A. Similarly, data input 152 to data processing circuitry 118 is connected through digital input 138 to digital output 28 of digital demodulator 20 shown in FIG. 1A.

As is readily apparent from the above discussion, FIGS. 1A and 1B together depict a radio frequency communication system that is capable of operating over a plurality of different radio channels and is further capable of transmitting either analog or digital data information signals as well as analog or digital voice signals. The system is also capable of transmitting a 4 Khz voice grade channel having both data and voice simultaneously present.

FIG. 1B broadly depicts the operation of the circuit which involves the selection by the microprocessor 110 of either a voice or data call. Once this selection is made, the data is then sent to the RF modulation circuitry shown in FIG. 1A. The RF modulation circuitry is capable of modulating or demodulating either analog or digital signals.

Circuit 1 is designed to facilitate product differentiation by companies making use of circuit 1 as a standard building block for radio voice and/or data communications devices. For example, each manufacturer may provide specialized interface features for the user, and specialized hardware controls appropriate for various user groups. Circuit 1 is particularly advantageous in facilitating these goals in that it provides microprocessor 110 and memory 112 that allow manufacturers to customize the operation of the circuit with little or no additional components. Furthermore, circuit 1 could be pre-programmed with a series of primitives that would allow a manufacturer to quickly and easily integrate the complex features of the device into a use friendly consumer product.

Referring next to FIG. 2, a block schematic diagram of an advanced cellular telephone implemented using an omni-modal radio communication circuit 1 shown in FIG. 1 is depicted. The omni-modal radio communication circuit of FIGS. 1A and 1B is shown in outline form as reference number 1. Also shown in FIG. 2 are speaker 100, microphone 102, digital data input 114, digital data output 116 and universal digital input/output interface 158. As can be seen from FIG. 2, the present radio communications circuit allows a cellular phone to be constructed with the addition of minimal components. The advanced cellular phone of FIG. 2 includes keypad 202, display 204 and interface connector 206. Keypad 202 and display 204 are connected to interface connector 206. Interface connector 206 connects with the universal digital input/output interface 158 which connects to the omni-modal radio communications circuit 1 depicted in more detail in FIGS. 1A and 1B. Keypad 202 may be any keypad used with telephone devices. Similarly,

display 204 can be any display used with standard cellular telephones or other computing devices. For example, display 204 could be a light-emitting diode (LED) or a liquid crystal display (LCD) as commonly used with telephones, calculators and/or watches.

As shown in FIG. 2, keypad 202 and display 204 connect through interface connector 206 to universal digital input/output interface 158 of the omni-modal RF circuit. The universal digital input/output interface 158 allows the omni-modal circuit 1 to be connected with a variety of electronic devices including keypad 202 and display 204. It is contemplated that universal digital input/output interface 158 may comprise one connector or a plurality of connectors each having different data protocols transmitted and received therein. For example, universal input/output interface 158 may include a keyboard or keypad interface circuit as well as a display interface circuit. The keypad interface circuit would include necessary circuitry for buffering key strokes and receiving key input data from a keyboard. The display driver circuitry would include a memory and processor necessary for the display of data stored in the display memory. In this manner, the omni-modal circuit 1 is capable of interacting with many different keypads and display devices. In one preferred embodiment, the universal interface connector includes a serial addressable interface wherein the components connected to the serial interface have a unique address byte assigned to each component. This allows the serial interface to communicate with a plurality of devices sequentially. Keypad 202 for example may be assigned an address byte of 001, while display 204 would be assigned address byte of 002. When the universal interface desires to communicate from microprocessor 110 shown in FIG. 1B with the keypad or display, the appropriate address would be included in the data sent to the universal interface connector. Keypad 202 and display 204 would monitor the data coming across the universal interface 158 and would respond only to those bytes having an appropriate address corresponding to the selective device.

The advanced cellular phone of FIG. 2 includes digital data input 114 and digital data output 116. This allows the phone to transmit digital computer data without the need of bulky external interface devices. For example, it is often necessary to use a tip and ring interface emulator to communicate over a cellular network from a computer or other data source. With the present invention, however, it is only necessary to connect to the digital data input 114 and to the digital data output 116. The data protocol used on these may be any protocol suitable for data communication, but in the preferred embodiment would be a RS 232 serial interface. By connecting a computer serial interface port to data input 114 and data output 116, data may be transmitted using the omni-modal circuit 1. The microprocessor 110 and memory 112 shown in FIG. 1B would configure the internal circuitry of the omni-modal circuit for data transmission.

Also shown in FIG. 2 are speaker 100 and microphone 102. Speaker 100 and microphone 102 may be standard speakers and microphones used on cellular telephones and are adapted to allow the omni-modal circuit 1 to transmit voice communications over a cellular radio network.

FIG. 3 is a block schematic diagram of a personal communicator implemented through the use of the omni-modal circuit 1 shown in FIGS. 1A and 1B. As shown in FIG. 3, the personal communicator includes omni-modal circuit 1, personal communicator computing circuitry 302, telephone handset 318, and interface circuitry comprising data input 114, data output 116, and universal interface 158.

The personal communicator computing circuitry 302 includes display 304, microprocessor 306, memory 308,

input device 316, data interface jack 310 and RJ-11 jack 312. As can be seen in FIG. 3, the microprocessor 306 is connected to the display 304, the memory 308, the input device 316 and to the data interface jack 310 and RJ-11 jack 312.

The personal communicator computing circuitry 302 acts to allow the user to interface and process data in a manner known to those of skill in the art. For example, display 304 may include an LCD display panel and may be color or black and white. Microprocessor 306 may include an Intel 80X86 microprocessor or any other microprocessor manufactured by Intel or Motorola or other computer processing chip manufacturers. Memory 308 includes random access memory (RAM) and read-only memory (ROM) necessary for the functioning of the computing device. Input device 316 may be a keyboard or a pen-based interface or other interface including voice recognition that allows for data to be input to the personal communicator computing circuitry 302. Microprocessor 306 is interfaced through data interface jack 310 to data input 114 and data output 116 of the omni-modal circuit. This allows the personal communicator computing circuitry 302 to transmit data using the omni-modal circuit 1. Also, as seen in FIG. 3, microprocessor 306 is connected through universal interface 158 to microprocessor 110 in the omni-modal circuit 1. This permits the microprocessors 306 and 110 to exchange control and operating information with each other. Should the microprocessor desire to make a data call, microprocessor 306 can instruct the microprocessor 110 shown in FIG. 1B of the omni-modal circuit 1 to initiate a data call through a designated service provider. In response to such command from microprocessor 306, microprocessor 110 shown in FIG. 1B may initiate a switching action and configure the omni-modal circuit 1 to transmit data over a selected service provider. To increase the flexibility of the personal communicator computing device, an RJ-11 jack 312 is included. The RJ-11 jack is connected to the data lines from the microprocessor 306 and allows the personal communicator computing device to transmit data over a standard landline telephone.

In one particularly preferred embodiment of the invention, the omni-modal circuit 1 can transmit data over a landline telephone line using RJ-11 jack 312 and modem 124 shown in FIG. 1B. The microprocessor 306 of the personal communicator computing device would transmit data through data interface jack 310 and data input 114 to the omni-modal circuit 1. The omni-modal circuit 1, would receive the data at the data processing circuitry 118 and transmit the data through data output 150 and modem input 156 to modem 124 shown in FIG. 1B. Modem 124 would then modulate the data onto a voice grade channel and transmit the modulated data signal on modem output 154 through switch 120 and data input 152 to data processing circuitry 118. The data processing unit may then transmit the data over data output 116 and into microprocessor 306 through interface jack 310 shown in FIG. 3. The microprocessor 306 may then route the data through auxiliary data output line 314 to RJ-11 jack 312. In this manner, the personal communicator computing circuitry 302 is able to send data over standard landline telephone lines without the use of a second additional modem. The modem in the omni-modal circuit 1 serves two functions allowing the personal communicator user to send data through his standard landline wall jack or over a wireless network depending on the availability of each at the time the user desires to send the data.

Also shown in FIG. 3 is handset 318. In the preferred embodiment of the personal communicator, the speaker 100

and microphone 102 would be embodied in a separate handset 318. This handset 318 would connect to the omni-modal circuit 1 through an appropriate interface connection.

FIGS. 4A and 4B depict a communication device 402 employing the omni-modal circuit 1 of the present invention, and having an integrated display device for conveying information to a user. FIG. 4A shows the front of the communication device 402 that could serve as a cellular phone. The device 402 includes speaker 100, antenna 2, microphone 102 and key pad buttons 406. In this regard, the external features of the device are similar to those of a standard commercially available cellular phone. As shown in FIG. 4B, the device is unique in that it incorporates an expanded display 404 and control buttons 408, 410, 412 for the display of information to the user. For example, the display 404 could convey airline flight information to the user while they are connected with an airline representative. In response to a user request, the airline representative could transmit flight information to the user's communication device 402, which would then display this information on the display 404. The user could then cycle through the information using increment button 408 and decrement button 410. When the user desired to select a given flight, they could indicate assent by pressing the enter button 412. This information would then be transmitted digitally to the airline representative's computer.

The capabilities of the omni-modal circuit 1 facilitate its use in a device as shown in FIGS. 4A and 4B. Since the device is programmable through the use of microprocessor 110 and memory 112 (FIG. 1B), it is capable of switching between voice and data modes of operation. This allows the user to conduct a voice conversation and then to receive data for display on the integrated display device. Alternatively, the omni-modal circuit could access another communication service to receive data for display, or it might receive data over a subchannel during the conversation. This would be particularly advantageous if the user desired to continue a voice call while continuing to receive data information, as in the case of the airline flight selection example given above.

Referring next to FIG. 5, a block schematic diagram of a telephone/pager device using the omni-modal circuit 1 is shown. As can be seen from FIG. 5, the telephone/page device includes keypad 502, display 504 and control circuitry 506. The keypad 502 is connected to control circuitry 506. Display 504 is also connected to control circuitry 506. Control circuitry 506 is farther connected through universal digital input/output interface 158 to the microprocessor 110 of the omni-modal circuit shown in FIG. 1B.

The combination telephone/pager device shown in FIG. 5 is generally similar in design to the advanced cellular telephone shown in FIG. 2. One particularly advantageous aspect of the omni-modal circuit 1 is its ability to provide a great degree of flexibility in the design and implementation of communication circuits. For different implementations external to the omni-modal circuit, the memory 112 shown in FIG. 1B can be reprogrammed to provide different functions through microprocessor 110 for the universal digital interface 158.

In FIG. 5, the telephone/pager implementation includes control circuitry 506 which receives information through the universal digital interface 158 from microprocessor 110. The control circuitry can then determine whether or not a page signal has been received by the omni-modal circuit 1 and if so it can display the appropriate information on display 504. If, however, control circuitry 506 receives information from microprocessor 110 that a telephone call has been received

or is being used, then control circuitry 506 can appropriately display the telephone information on display 504. Similarly, control circuitry 506 can receive information from keypad 502 and selectively process this information depending on the current mode of operation. For example, if the device shown in FIG. 5 is in pager mode, control circuitry 506 may allow keypad input to cycle through stored paging messages. If however, the device shown in FIG. 5 is in telephone mode, control circuitry 506 may process the keypad information received from keypad 502 as telephone commands and transmit control signals through interface 158 to microprocessor 110 to cause a telephone call to be placed. Further, control circuitry 506 can actuate alarm 508 which may be a audible alarm such as a beeping or a vibration generator. Alarm 508 serves to notify the user when a telephone call or page is received.

FIG. 6A is a block schematic diagram of a dual mode cellular/cordless landline telephone is disclosed. The dual mode device includes key pad 602, optional display 604, handset 606, and interface connector 608. The key pad 602 and optional display 604 are connected to microprocessor 110 (FIG. 1B) through interface connector 608 and universal digital interface 158.

Key pad 602 allows a user to provide information to microprocessor 110 for operating the dual mode device. For example, the user may operate the key pad to indicate that a certain call should be made on the cordless telephone network and not on the cellular network. To the contrary, the user may specify that the cellular network was to be used by operating the key pad 602 to so indicate.

One particularly preferred embodiment of a dual mode device may be programmed to allow for automatic selection of either a cellular communications network or a cordless telephone landline network. This is particularly advantageous in that a cordless telephone landline network is often considerably cheaper to access than is a cellular telephone network. Therefore, if the device will automatically access a cordless telephone network whenever one available, and use the cellular network only we absolutely necessary, the user can achieve substantial savings while still having a single, portable, communications unit that operates over a large geographic area. If the user requests service while within his home, for example, the cordless telephone system would be used and the user would be charged a minimal amount. If the user were to place a call while away from his home a greater charge would be incurred. The user, however, would use the same communications equipment regardless of where the service was used, and the service selection would appear transparent to the user.

FIG. 6B is a flowchart of one method that may be used to implement this embodiment. The process of FIG. 6B begins 650 by determining if the user has activated the device to request communications services 652. If the user has not requested communication services, the devices continues to check for a user request. If a user request is detected, the device then determines if it is within range of a cordless telephone landline system 654. If the device is within range of a cordless telephone landline system, then the device services the user's request using the cordless landline communication system 662 and the process terminates 664. If the device is not within range of a cordless landline network, then the device determines if it is within the service range of a cellular phone system 656. If the device is within range, the user's request is serviced using the cellular phone system 660 and the process terminates 664. If the device is not within range of a cellular system, then the device issues an alert to the user to indicate that no service is available 658 and the process terminates 664.

Although FIG. 6A and the above discussion focus on a dual mode cellular/cordless landline telephone, it should be understood that the a device in accordance with the present invention may include the ability to access additional communication systems. For example, it may be desirable to have a device substantially as shown in FIG. 6A, but having the ability to access a personal communication service (PCS) network in addition to the cellular and cordless landline systems. This would allow the user to achieve further cost savings while seamlessly moving throughout a given geographic area.

Referring next to FIG. 7, a block schematic diagram of a personal computer 702 incorporating an omni-modal circuit 1 is shown. As can be seen in FIG. 7, computer 702 includes antennae 2 and an interface port 704 that allows for a integrated circuit card to be inserted into the computer. As shown in FIG. 7, the interface port 704 has installed therein a removable card 701 comprising an omni-modal circuit 1. The omni-modal radio communications card 701 includes connector 706, which may include data input 114, data output 116 and universal digital interface 158 shown in FIG. 1B. This connector allows the omni-modal radio interface card 701 to communicate with the computer through a corresponding mating connector 708 inside the personal communicator. This allows the microprocessor 110 on the omni-modal radio communications card 701 to communicate with the memory and microprocessor contained in the computer 702. In a preferred embodiment, the omni-modal radio communications card 701 is in the form of a PCMCIA card adapted to interface into a standard slot in a portable or other computing device. FIG. 7 also shows an optional telephone handset 710 which may be interfaced to the radio communication interface card 701. Optional handset 710 includes speaker 100 and microphone 102, and serves to allow for voice communication over radio network service providers that provide such capability.

The omni-modal radio communication card 701 also has an external RJ-11 data jack 712. The external RJ-11 data jack 712 allows omni-modal communications card 701 to transmit data over a telephone landline circuit using a common RJ-11 interface cable. Omni-modal communications card 701 includes a modem 124 in FIG. 1B for modulating digital data onto a voice grade channel suitable for transmission over a landline telephone connection.

Therefore, the radio communications card 701 serves as a modem to the personal computer and a separate modem card or external modem is not necessary in order to transmit data over a landline jack. The microprocessor 110 in the omni-modal circuit card 701 allows the circuitry to select either landline transmission via external RJ-11 jack 712 or cellular radio transmission through antennae 2. This may be accomplished for example through an analog switch circuit as disclosed in U.S. Pat. No. 4,972,457, the disclosure of which is incorporated herein by reference.

FIG. 8 is a block schematic diagram of a special purpose radio data transmitting device 801 that is implemented using the omni-modal circuit. It is often desirable to be able to construct a device that will be capable of operating to send data wirelessly. For example, it may be desirable to include such a device in a vending machine or gasoline pump. Device 801 may then relay data at a predetermined time concerning the amount of consumables (e.g. food, beverages, gasoline, etc.) still remaining in stock. In this manner, it is not necessary to have a person physically inspect the device and evaluate the remaining stock, which would be considerably more expensive.

The omni-modal circuit 1 of the present invention can be used to implement a system as described above. Referring to

FIG. 8, the omni-modal circuit 1 is connected to a data source 802 through data lines 806 comprising data input line 114 and data output line 116. Additionally, microprocessor 110 (FIG. 1B) is connected to the data source through universal digital interface 158 and control line 804. The resulting omni-modal device 801 can be programmed to access a selected communications service at a periodic interval and to transmit data from the data source at that time. This function can be included in the library of functions available on circuit 1. After accessing the communications service, microprocessor 110 may instruct data source 802 using control line 804 to transmit data over data lines 806. Of course, the omni-modal device 801 will have the circuits necessary to use a plurality of different transmission networks. However, because of mass production and the availability of predetermined designs it may be desirable to use the standard building block circuit 1 to implement limited-purpose devices which will be used with only one or two systems, even though these limited purpose devices will use only a portion of the built-in capabilities of circuit 1.

In addition to functions directly related to radio communications and modulation, the library may desirably include other functions which enable desirable computing features. Fore example, data displaying, electronic mail storage, retrieval, and composition, and other computing functions may be included in the library. In addition, if a high powered processor is provided, the library may be expanded to include substantial operating system functions so that circuit 1 can be used to construct full-fledged personal computers and personal communicators capable of running third party applications programs.

As described above, circuit 1 will be capable of utilizing any one of the wireless data services within a given geographic area. The selection of the service to be used can be made manually by the user, or can be selected automatically. Referring to FIG. 9, circuit 1 may have a preprogrammed routine for selecting information carriers based on varying criteria. As shown in FIG. 9, the criteria for selecting a carrier may be varied by the user. Possible criteria include the cost of sending a data message; quality of transmission link (signal strength, interference actual or potential); available bandwidth on a carrier for data transmission (or transmission speed supported); potential for being bumped off the system or having transmissions delayed (that is, is the service provider at nearly full capacity); security of transmission; or other special criteria which the user or the device may establish based on the user's individual priorities. As another example, the length of a data message to be transmitted may be considered as a factor in selecting the carrier. If the length of the proposed message is made known to circuit 1, this information can be used in conjunction with pricing information to determine the lowest cost route. For example, for very short messages a paging service or cellular digital packet data (CDPD) service might be selected. For longer messages, such as fax or data file transmission, a circuit switched connection with high speed data transfer capacity (such as AMPS cellular) may be more cost-effective.

Information about the costs and services offered by carriers in the area will be made available to the omni-modal circuit 1 for use in this competitive selection process, either through pre-programming by the user or selling organization or by transmission of the information in a manner described elsewhere herein.

The carrier may be selected by any one of the characteristics of the available competing carriers. For example, a given user may be price sensitive, and wish to always

employ the lowest cost transmission method. Another user may have time-critical communications needs (e.g. securities trading or news reporting) and may prefer the most reliable or the highest speed transfer regardless of price.

In determining the cost of a particular transmission, circuit 1 preferably first determines the type and quantity of data to be transmitted. For example, if the user has selected a function of transmitting a file or an electronic mail message, circuit 1 will determine the length of the message, and file. This information is then used in determining the protected cost of transmitting the data on each system. For example, for a short E-mail message, the expected cost for an AMPS cellular system will be the cost of making a one-minute call. For a packet radio system, the expected cost will be the length of the message divided by the number of characters per packet, times the cost per packet. As long as the basis for carrier charges is provided to circuit 1, the cost factors relevant for any particular message can be calculated. Thus, circuit 1 can intelligently predict relative costs of transmitting over various networks and can operate with a low-cost preference dependent on characteristics of an individual message. Different low-cost transmission modes are appropriately selected for messages having different characteristics.

A more sophisticated approach than pure low-cost selection allows the user to assign weights to different competitive factors (price, signal clarity, transmission speed or other factors) depending on the individual preferences and needs of the user. Based on the assigned weights, the circuit then calculates a "score" for each available system and selects the system with the highest score. As an example, a user may instruct the circuit to select carriers based 60% on the ratio of the lowest price to the price of the particular carrier and 40% on normalized signal strength. If the cost to send the message on System I is \$0.50 (signal strength 2), the cost on System II is \$0.60 (signal strength 4), the cost on System III is \$0.85 (signal strength 5) and the cost on System IV is \$0.50 (signal strength 1) circuit 1 would calculate scores of:

$$\text{System I: } 0.60(0.50/0.50)+0.40(2/5)=0.76$$

$$\text{System II: } 0.60(0.50/0.60)+0.40(4/5)=0.82$$

$$\text{System III: } 0.60(0.50/0.85)+0.40(5/5)=0.75$$

$$\text{System IV: } 0.60(0.50/0.50)+0.40(1/5)=0.68$$

so System II would be selected. With the same systems available, if the user preferred a selection based 80% on cost and only 20% on signal quality, the scores would be

$$\text{System I: } 0.80(0.50/0.50)+0.20(2/5)=0.88$$

$$\text{System II: } 0.80(0.50/0.60)+0.20(4/5)=0.83$$

$$\text{System III: } 0.80(0.50/0.85)+0.20(5/5)=0.67$$

$$\text{System IV: } 0.80(0.50/0.50)+0.20(1/5)=0.84$$

and System I would be selected. Of course, the application of this weighted selection criteria is not limited to, and is not necessarily based on, price and signal strength. Any number of criteria, including these or others, can be considered in a formula to meet the individual user's needs. The criteria for a particular user are stored in a user profile in the memory of circuit 1. Preferably, a default user profile corresponding to the preferences of a large number of users is established. Then, the individual user can change his or her user profile to establish different selection parameters and preferences at any time through appropriate input to circuit 1.

Particularly desirable selection algorithms may also take multiple factors into account by employing branching algorithms to select the carrier. For example, one multistage selection process based on multiple criteria would operate as follows. Initially, systems which are incapable of performing the desired function would be eliminated from consider-

ation. For example, if the user wants to place a voice call, data-only systems would not be considered. As another example, if the user wants to send a fax to a customer and a given network has no capability of transmitting fax information to a specified telephone number, that system would not be considered for the proposed task. Next, among the systems available, circuit 1 may predict the lowest cost route based on a formula accounting for the message length and the costs of the available systems, including consideration of any long-distance surcharges implied by the destination of the information transfer. Finally, users may also prefer that circuit 1 automatically avoid selecting carriers which are suffering performance degradations because of capacity limits, or which have a particularly weak signal at the location of the user. In this way, if the carrier which would otherwise be preferred will not be able to provide a fast, accurate information transfer at the time from the user's location, the carrier that is the "next best" according to the primary programmed selection criteria (cost in this example) may be automatically selected. A tradeoff between signal quality and cost may also be arbitrated by the weighting method described above.

Preferably, any one or combination of the above selection criteria is available in the circuit 1 and the selection criteria can be selected, programmed, changed or overridden by the user. Adaptive service provider selection may be implemented based on user experience. That is, the information transmission track record of circuit 1 with a particular service provider (e.g. error rate, dropped connections, transmission time) can be stored and updated, and this information can be used as a weighted factor in selecting service providers. In this way, service providers providing poor services can be avoided in cases where more desirable alternatives are available.

The market and consumer implications of the present invention are substantial, in that the circuits and methods of the present invention tend to introduce intense competition for customers among various wireless carriers. The present invention automatically identifies service providers that best meet the user's performance requirements. In this way, service providers that meet the varying demands of the most user will have a large market share and maintain full usage of their available frequency spectrum. The invention therefore allows the users to drive the market by creating price and service competition among carriers.

In addition, the omni-modal capability of the present invention facilitates a free market for the use of frequency spectrum. Circuit 1 can be activated to select a specified channel frequency, but may be activated to use command, control, and data protocols on that channel that are normally appropriate for different channels, if the carrier controlling the frequency has authorized another carrier to temporarily use the first carrier's channel. As an example, a local AMPS cellular telephone carrier may have open channels, which may be temporarily "rented" to a Specialized Mobile Radio (SMR) carrier which is experiencing heavy traffic on its assigned channels. The SMR carrier may then direct persons requesting SMR service to operate on the "rented" channel, but using SMR protocols rather than the AMPS protocols which would normally be appropriate to that channel. This method of operation maximizes the efficient use of available frequencies by allowing carriers to shrink and expand the number of channels available based on current demand. During rush hours, when AMPS traffic is high, additional channels might be reallocated to AMPS by market forces; that is, the AMPS carrier will rent additional channels from under-utilized carriers to provide the services desired by the

public at that time. At other times, demand for other systems may increase, and AMPS or other carriers may rent their under-utilized bandwidth to carriers having a substantial demand. This might occur, for example, if a network providing status reporting services from remotely located equipment (vending machines, gas pumps, etc.) is designed to transmit a large volume of data during late night or early morning hours. If the remotely located equipment is provided with an omni-tunable device, the status report network can rent channels from other carriers and use multiple channels to service its customers. In this way, economic incentives are established to ensure that airwave channels are assigned to their most productive use at all times, and the anti-competitive effects of carrier monopolies established by FCC channel assignments are reduced.

Referring to FIG. 9, one method for evaluating system selection is shown. The process begins 902 with the determination by the omni-modal circuit 1 of whether a data of voice service is desired 904. If a data service is desired, the circuit 1 obtains price information 908 for the available data service providers. If a voice service is desired, the circuit 1 obtains voice pricing information 906. Once this pricing information is obtained, the circuit 1 evaluates the information to make a service provider selection based on the criteria supplied from the user. Once this selection is made, circuit 1 is configured for accessing the selected service provider 912 and establishes a connection with that provider 914. Once the user has completed his use of the selected service provider, the process ends 916.

FIG. 10 is a flowchart showing steps useful in a method according to the present invention for "advertising" available carrier services in a geographic area. In this method, wireless service providers broadcast electronically, as part of any "handshaking" procedure with an omni-modal product, information such as rate information, information specifying system operating characteristics such as system utilization, the likelihood of being dropped, and other factors noted above which may be desirably considered in carrier selection. This information may be broadcast in each geographical region by a jointly operated or government-operated transmitter operating at a predetermined frequency. Circuit 1 may then be operated to scan the predetermined "service advertising" channel and obtain necessary information for use in selecting carriers. On a government-operated channel, government-collected statistics on the operation of the various carriers in the area may be transmitted as a consumer service to further encourage service competition and assist users in selecting the most appropriate carrier.

Alternatively, individual carriers may broadcast pricing information on individual command channels. Pricing can be changed on a dynamic basis to maintain a desired system load level. In fact, in one preferred embodiment, an automated price negotiation can be performed in which the circuit 1 transmits an indication of the type and amount of information which is to be transmitted, and the carrier responds by quoting a price for the transmission. Such quotes can be obtained from multiple carriers and the lowest cost transmission mode can be selected, or the quoted prices can be factored into an equation that considers other factors in addition to price, as disclosed previously. As part of this scheme, radio carriers may implement a dynamic demand curve evaluation program in which system load and profitability are constantly monitored. The evaluation program may also monitor the percentage of requested quotes which are not accepted. In this way, the radio carrier's system can dynamically adjust prices to maximize revenue to the carrier at all times, based on a real-time model of the current demand curve for airtime service in the area.

One method in which system information could be distributed to users is shown in FIG. 10. The process starts 1002 by contacting a selected service provider 1004. The service provider provides information to a central location as discussed above. Once the information for the first selected service provider is complete, the process determines if other service providers exist 1008. If other providers exist, the process 1004 and 1006 is repeated for each additional service provider. When service information is compiled for all service providers, the process compiles and formats the information into a standard reporting form the is understandable to all mobile units 1010. The process then determines the proper modulating frequency and protocol for the desired geographic area 1012 and broadcasts this information to all mobile users on the selected frequency and using the selected protocol 1014. Once the information has been broadcast to the users, the process ends 1016.

Referring next to FIG. 11, a flowchart showing a handshake sequence for arranging information transmission using the omni-modal circuit 1 of the present invention is shown. The process begins 1102 with the omni-modal circuit 1 accessing a service provider 1104 and receiving carrier cost information from the service provider 1106. The omni-modal circuit 1 may also receive additional information from the service provider such as signal quality, system resources, and available bandwidth. The circuit 1 then stores the information received from the service provider 1108. The circuit determines if other service providers exist 1110 and, if they do, repeats the above steps to acquire cost and availability information for each service within the omni-modal circuit's range.

Once information has been acquired for all available service providers, the information is evaluated 1112. This evaluation could consist of a simple determination based on a single factor, or could include more complex calculations relating to weighting of given factors and qualities. The results of the evaluation are used to select a service provider to process the users pending request for services. A connection is established 1114 on the selected service provider, and the user's request is processed, after when the process ends 1116.

FIG. 12 is a view of a cellular radiotelephone 1200 which is generally of the type and configuration described above with reference to FIG. 2. However, radiotelephone 1200 is constructed using a modular omni-modal circuit 1 constructed on a removable card 1204 which is provided with a standardized connector or connector (for example, a PCMCIA connector) 1205 to establish all necessary interface connections to a plurality of receiving devices in the manner described above with reference to FIG. 7.

As can be seen in FIG. 12, a telephone shell 1202 containing a battery power supply, microphone, speaker, keypad, and antenna 2 has a receiving slot 1206 for receiving card 1204 carrying circuit 1. When card 1204 is installed in telephone shell 1202, connector 1205 mates with connector 1208 within slot 1206 and the external components of the shell 1202 are operatively combined with card 1204 to create a functional multi-modal cellular telephone.

FIG. 13 illustrates the installation of the same card 1204 in a notebook sized computer 1302, whereby the computer 1302 is provided with complete omni-modal network access. By using the same card 1204 containing standardized circuit 1 to provide radio network access for various devices, the user can avoid maintaining multiple accounts or telephone numbers, yet can communicate by radio using many devices. For example, a receiving slot for card 1204 could be provided in the user's automobile, and insertion of

card **1204** upon entering the car would activate cellular communications capability in the car. The same card **1204** can be readily transferred between the car, a portable handset shell as shown in FIG. **12**, and a computer as shown in FIG. **13** for data transmission.

The omni-modal circuit of the present invention can perform both page receiving and other functions, such as placing cellular telephone calls. However, since only a single transmitting and receiving circuit is provided, when the device is in use on a non-paging communications network such as an AMPS cellular telephone system, any pages directed to the device may not be received. The present invention provides a solution to this potential problem in which the paging system control is interconnected with other network(s) such as the local AMPS cellular system. It should be understood that while connection of the pager system to the AMPS system is shown as an example, such connections may be provided between any systems used by the omni-modal circuit **1** to achieve similar objectives.

FIG. **14** is a block schematic diagram of a paging relay system according to the present invention for use with omni-modal circuits **1** that support pager functions and also a non-pager network function such as cellular telephone operation. FIG. **14** shows a paging system **1400** which is connected in a conventional manner by lines **1406** to a broadcast antenna **1408** which transmits pager signals to pager devices such as the omni-modal circuit **1** shown in the Figure. In addition, FIG. **14** shows a cellular telephone network office **1402** which is connected to control the operation of the cellular telephone cell site transmitter **1412** by lines **1410**.

Significantly, the paging system **1400** is connected to the cellular telephone network office **1402** by lines **1404** which permit transfer of operational and control information between the paging system **1400** and cellular telephone network office **1402**. Because of the connection of lines **1404**, the paging system can determine whether the omni-modal device **1** is engaged in a cellular call and will thus be unable to receive a page.

FIG. **15** is a flowchart showing a preferred operation of the pager and other (for example AMPS) systems interconnected as described with reference to FIG. **14**. In block **1502**, the pager system first determines by reference to stored records whether the pager device which is to be contacted is an omni-modal circuit **1** which may be engaged in data transmission with another system at the time of any given page. If not, the page can be sent by the usual broadcast method in block **1504**. If an omni-modal circuit **1** is involved in the paging operation, the pager system then contacts any connected networks which might be in use by omni-modal device **1** and inquires whether the device is in fact using such networks in block **1506**. If not, the omni-modal device is presumed to be available for receiving a page and control transfers to block **1504** for transmission of the page by conventional methods. If circuit **1** is in use, the pager system determines whether delivery by the alternate network may be accomplished in block **1508**. This may be determined by appropriate factors, including whether the network (e.g. AMPS) is capable of and willing to deliver the page information to circuit **1**, and whether the user of circuit **1** has subscribed to this service.

If delivery by the alternate network is not available, control transfers to block **1510** which imposes a time delay. The page information is stored, and after some appropriate period of time, control transfers to block **1506** and the pager system again attempts to determine whether the page can be transmitted by conventional means.

If the alternative network is able to deliver the page and this service is to be provided, control transfers from block **1508** to block **1512** and the page is transmitted over the alternative system. In the case of the AMPS system, the page information may be transmitted as a momentary interruption in an ongoing conversation, as information provided on a command channel, as subaudible information (e.g. in a band from 0 to 300 Hz), or by another appropriate method.

I claim:

1. A radio frequency management system for reallocation of radio spectrum among a plurality of wireless communication networks using differing radio frequency modulation protocols and differing radio frequencies to communicate with a plurality of frequency and protocol agile portable radio devices each of which is responsive to portable radio device control signals to change its operating frequency and modulation protocol, comprising

capacity detection means for generating a frequency request signal upon determining that a first wireless communication network operating using a first radio frequency spectrum allocated to said first wireless communication network and using a first modulation protocol, is at or near full capacity,

frequency reallocating means responsive to a frequency request signal for reassigning temporarily radio spectrum from a second wireless communication network operating using a second radio frequency spectrum allocated to said second wireless communication network and different from said first radio frequency spectrum and using second modulation protocol, to the first communication network determined by said capacity detection means to be at or near full capacity, and means for causing portable radio control signals in at least some of the frequency and protocol agile portable radio devices to change their operating frequency and modulation protocol to permit the portable radio devices so changed to communicate over the temporarily reassigned radio spectrum.

2. A radio frequency management system as defined in claim **1**, further including a plurality of frequency and protocol agile portable radio devices for facilitating wireless communication over any one of a plurality of wireless communication networks at least some of which may be available and operating at a given time and location using differing radio frequency modulation protocols and over differing radio frequencies, each of which includes

a frequency agile radio transceiver operating at any one frequency of a plurality of radio frequencies appropriate for each of the plurality of wireless communication networks, said one frequency selected in response to a frequency control signal,

a digital interface circuit for interconnecting said frequency agile radio transceiver with external digital signal processing devices to allow digital signal information to be sent and received over said frequency agile radio transceiver,

protocol agile operating circuit means for operating said frequency agile radio transceiver and said digital interface circuit in accordance with any one modulation protocol of a plurality of modulation protocols, said one modulation protocol selected in response to a protocol control signal, and

adaptive control means for determining which wireless communications networks are available at a given location and time, for accessing a selected wireless communication network and for generating the fre-

quency control signal and the protocol control signal in response to a user defined criteria to cause the device to communicate with the selected wireless communication network using a frequency and modulation protocol suitable for transmission of said digital signal information over said selected wireless communications network.

3. The radio frequency management system defined in claim 2, wherein said adaptive control means selects the wireless communication network based on the least cost.

4. The radio frequency management system as defined in claim 2, wherein said adaptive control means selects the wireless communication network based on the quality of the radio transmission link connecting said frequency agile transceiver and the selected wireless communication network.

5. The radio frequency management system as defined in claim 2, wherein said adaptive control means selects the wireless communication network based on the probability of being dropped from the network.

6. The radio frequency management system as defined in claim 2, wherein said adaptive control means selects the wireless communication network based on the security of the radio transmission link connecting said frequency agile transceiver and the selected wireless communication network.

7. The radio frequency management system as defined in claim 2, wherein adaptive control means selects the wireless communication network based on prior experience with specific wireless communication networks.

8. The radio frequency management system as defined in claim 2, wherein said adaptive control means selects the wireless communication network based on the combined determination of two or more of the following:

the cost of using the wireless communication network,
the quality of the transmission link connecting said frequency agile transceiver and the selected wireless communication network,

prior experience with specific wireless communication networks,

the potential of being dropped from the network, or

the security of the radio transmission link connecting said frequency agile transceiver and the selected wireless communication network.

9. The radio frequency management system as defined in claim 2, wherein said adaptive control means communicates with selected wireless communication networks to determine on a real time basis the operating characteristics of the corresponding wireless communication network.

10. The radio frequency management system as defined in claim 2, further including a modem means operating to perform at least one of modulation or demodulation of a carrier signal with user data.

11. The radio frequency management system as defined in claim 10, further including a data processor means for processing digital data transmitted over said frequency agile transceiver.

12. The radio frequency management system as defined in claim 11 for use with wireless communication networks having call placement and call answering functions, wherein said data processor means causes said frequency agile transceiver to control telephone call placement and call answering functions over wireless communication networks having such telephone functions.

13. A method for reallocation of radio frequency spectrum among a plurality of wireless communication networks at

least some of which may be available and operating at a given time and location using differing radio frequency modulation protocols and over differing radio frequencies to communicate with a plurality of frequency and protocol agile portable radio devices each of which is responsive to portable radio device control signals to change its operating frequency and modulation protocol, comprising the steps of

generating a frequency request signal upon determining that a first wireless communication network is at or near full capacity,

reassigning temporarily in response to said frequency request signal radio spectrum from a wireless communication network utilizing less of its normally assigned radio frequency to the communication network determined to be at or near full capacity, and

causing portable radio control signals in at least some of the frequency and protocol agile portable radio devices to change their operating frequency and transmission protocol to permit the portable radio devices so changed to communicate over the temporarily reassigned radio spectrum.

14. A method as defined in claim 13, comprising the further steps of

operating a frequency agile radio transceiver at any one frequency of a plurality of radio frequencies appropriate for each of the plurality of wireless communication networks, said one frequency selected in response to a frequency control signal,

interconnecting said frequency agile radio transceiver with external digital signal processing devices to allow digital signal information to be sent and received over said frequency agile radio transceiver,

operating said frequency agile radio transceiver in accordance with any one modulation protocol of a plurality of modulation protocols, said one modulation protocol selected in response to a protocol control signal, and

determining which wireless communications networks are available at a given location and time and accessing a selected wireless communication network by generating the frequency control signal and the protocol control signal in response to a user defined criteria to cause the device to communicate with the selected wireless communication network using a frequency and modulation protocol suitable for transmission of said digital signal information over said selected wireless communications network.

15. The method as defined in claim 14, wherein said step of selecting the wireless communication network is based on the least cost.

16. The method as defined in claim 14, wherein said step of selecting the wireless communication network is based on the quality of the radio transmission link connecting said frequency agile transceiver and the selected wireless communication network.

17. The method as defined in claim 14, wherein said step of selecting the wireless communication network is based on the probability of being dropped from the network.

18. The method as defined in claim 14, wherein said step of selecting the wireless communication network is based on the security of the radio transmission link connecting said frequency agile transceiver and the selected wireless communication network.

19. The method as defined in claim 14, wherein said step of selecting the wireless communication network is based on prior experience with specific wireless communication networks.

25

20. The method as defined in claim 14, wherein said step of selecting the wireless communication network is based on the combined determination of two or more of the following: the cost of using the wireless communication network, the quality of the transmission link connecting said frequency agile transceiver and the selected wireless communication network, prior experience with specific wireless communication networks, the probability of being dropped from the network, or the security of the radio transmission link connecting said frequency agile transceiver and the selected wireless communication network.

21. The method as defined in claim 14, further including the step of engaging in an electronic handshake with selected wireless communication networks to determine on a real time basis the cost for desired services and the operating characteristics of the corresponding wireless communication network.

22. The method as defined in claim 14, further including the step of causing said frequency agile transceiver to control telephone call placement and call answering functions over wireless communication networks having such telephone functions.

23. A radio frequency management system for providing information useful in selecting among a plurality of wireless communication networks having different and variable operating characteristics and accessed by a plurality of portable radio devices each of which is capable of accessing any of the plurality of wireless communication networks comprising:

wireless communication network monitoring means for monitoring the current network load of each of the plurality of wireless communication networks;

processing means connected with said network monitoring means for receiving a signal indicative of said current network load and for generating a signal representing current operational characteristics of each of the wireless communications networks in response thereto;

network information transmission means connected with said processing means for receiving said signal and for transmitting said operational characteristics for each of the plurality of wireless communication networks to each of the plurality of portable radio devices thereby allowing each of the portable wireless devices to selectively access one of said plurality of wireless communications networks in response to said operational characteristics.

24. The system of claim 23 wherein said operation characteristics include the cost for use of the wireless communication network.

25. *In a cellular radio communication network operating over a predetermined frequency range subdivided in frequency into frequency bands, said network comprising at least a first independent radio communication system and a second independent radio communication system each providing radio telecommunication service over a common geographic region, a method for using said frequency range comprising the steps of:*

assigning from said predetermined frequency range at least one first frequency band to be used as a control channel by said first independent radio communication system;

assigning from said predetermined frequency range at least one second frequency band to be used as a control

26

channel by said second independent radio communication system; and

sharing by said first independent radio communication system and said second independent radio communication system frequency bands in the portion of said predetermined frequency range not assigned as control channels to provide radio telecommunication service to a plurality of subscribers located in said common geographic region.

26. *The method of claim 25 wherein said step of sharing comprises sharing in a coordinated and synchronized manner between said first independent radio communication system and said second independent radio communication system.*

27. *The method of claim 26 wherein said step of sharing comprises the step of assigning frequency and time slot combinations in response to channel set-up requests received from said first independent radio communication system and said second independent radio communication system.*

28. *The method of claim 25 wherein said first independent radio communication system and said second independent radio communication system are designed to provide radio telecommunication services using TDMA.*

29. *In a cellular radio communication network operating over a predetermined frequency range subdivided in frequency into frequency bands, said network comprising at least a first independent radio communication system and a second independent radio communication system each providing radio telecommunication service over a common geographic region, a method for using said frequency range comprising the steps of:*

assigning from said predetermined frequency range at least one first frequency band to be used as a control channel by said first independent radio communication system;

assigning from said predetermined frequency range at least one second frequency band to be used as a control channel by said second independent radio communication system;

assigning from said predetermined frequency range a predetermined portion of said predetermined frequency range to be used by said first independent radio communication system to provide radio telecommunication service to a plurality of subscribers located in said geographic region; and

sharing by said first independent radio communication system and said second independent radio communication system frequency bands in the portion of said predetermined frequency range not assigned as control channels or assigned exclusively to said first independent radio communication system, to provide radio telecommunication service to the plurality of subscribers located in said geographic region.

30. *The method of claim 29 wherein said step of sharing comprises sharing in a coordinated and synchronized manner between said first independent radio communication system and said second independent radio communication system.*

31. *The method of claim 30 wherein said step of sharing is controlled by a processor which assigns frequency and time slot combinations in response to channel set-up requests received from said first independent radio communication system.*

32. *The method of claim 29 wherein said first independent radio communication system and said second independent*

radio communication system are designed to provide radio telecommunication services using TDMA.

33. In a cellular radio communication network comprising a plurality of independent systems each providing service within a common geographic area, and operating within a frequency range comprising a plurality of frequency bands, a method of allocating frequency bands to said independent systems said method comprising the steps of:

assigning one or more first frequency bands to each of said independent systems, wherein said first frequency bands are used for control channels within the independent systems to which each is assigned; and

allocating one or more second frequency bands to said independent systems on a shared basis, wherein said second frequency bands are used for traffic channels within the independent system to which each is currently allocated.

34. The method of claim 33 wherein said step of allocating comprises:

allocating frequency bands from said second frequency bands for traffic channels within a first one of the plurality of independent systems independently of the allocation of said second frequency bands within a second one of the plurality of independent systems.

35. The method of claim 33 wherein said step of allocating comprises:

allocating one or more second frequency bands to each of said independent systems depending on the allocation of said second frequency bands to the other independent systems of said network.

36. The method of claim 35 wherein said plurality of independent systems communicate over time division multiplexed channels, each channel defined by a frequency band and a time slot assignment, and wherein said step of allocating comprises:

receiving a channel allocation request from an originating one of said independent systems;

determining if channels are available in said network; and

in response to an affirmative determination:

transmitting a channel allocation assignment to said originating independent system.

37. The method of claim 36 wherein said step of determining if channels are available in said network comprises searching for unused frequency/time slot combinations.

38. A cellular communications network providing service over a frequency range comprising a plurality of first frequency bands and a plurality of second frequency bands, said network comprising:

a plurality of independent radio communications systems, each of said independent systems providing service in a coverage area, the coverage areas of each of said independent systems having a common area, each of said independent systems being assigned one or more of said first frequency bands for use as control channels for each independent system and providing service over said plurality of second frequency bands on a shared basis.

39. The cellular communications network of claim 38 in which one or more of said independent systems is assigned one or more fixed frequency bands for providing service in addition to providing service over said plurality of shared frequency bands.

40. The cellular communications network of claim 38 further comprising means for allocating said shared frequency bands for communications on a coordinated and synchronized basis.

41. The cellular communications network of claim 38 in which each of said independent radio communications systems comprises one or more mobile telephone switching offices, and said network further comprises means for allocating unused frequency bands of said second frequency bands among said independent systems on a shared basis, said means for allocating connected to each of said mobile telephone switching offices.

42. A wireless communication system organized to promote user driven competition among a plurality of commercially independent wireless service networks operating with differing frequencies and/or differing protocols and serving, within a given geographic region, a population of portable radio devices that are sufficiently frequency and protocol agile to allow access to more than one of the wireless service networks, comprising:

a. an accessing circuit associated with each portable radio device for providing access to any one of a plurality of the wireless service networks by requesting access and, if available, establishing access in response to an access control signal that adjusts the radio frequency and the protocol of the associated portable radio device as necessary to access the selected wireless service network,

b. control signal generator for generating the access control signal in response to user defined criteria to cause access to the wireless service network that best satisfies the user criteria, and

c. a frequency reallocator for increasing the capacity of any one of the wireless service networks as the aggregate demand for access to that wireless service network increases by allowing portions of the radio spectrum, otherwise available to another wireless service network, to be used by the wireless service network experiencing increased demand.

43. A wireless communication system organized to promote competition among a plurality of commercially independent wireless service networks operating with differing frequencies and/or differing protocols and serving, within a given geographic region, a population of user held portable radio devices that are sufficiently frequency and protocol agile to allow access to a plurality of the wireless service networks, comprising:

a. a frequency reallocator for increasing the capacity of any one of the wireless service networks as the aggregate demand for access to that wireless service network increases by allowing portions of the radio spectrum, otherwise available to another wireless service network, to be used by the wireless service network experiencing increased demand,

b. an accessing circuit associated with each portable radio device for providing access to any one of a plurality of the wireless service networks by requesting access and, if available, establishing access in response to an access control signal that adjusts the radio frequency and the protocol of the associated portable radio device as necessary to access the selected wireless service network, and

c. control signal generator for generating an access control signal in response to control instructions received from a wireless service network which has borrowed frequency from another wireless service network through operation of said frequency reallocator to cause said accessing circuit to access to the wireless service network on the reallocated frequency.

44. A wireless communication system organized to promote user driven competition among a plurality of commercially independent wireless service providers, comprising

- a. a plurality of independent wireless service networks operated by the wireless service providers to provide wireless services within a common geographic region using differing frequencies and/or differing protocols,
- b. a plurality of portable radio devices, located within the geographic region, that are sufficiently frequency and protocol agile to allow access to more than one of the wireless service networks, each said portable radio device including
- i. an accessing circuit for providing access to any one of a plurality of the wireless service networks by requesting access and, if available, establishing access in response to an access control signal that adjusts the radio frequency and the protocol of the associated portable radio device as necessary to access the selected wireless service network,
 - ii. memory for storing a user defined criteria for selecting a wireless service, and
 - iii. control signal generator for automatically generating the access control signal in response to an automated selection of the wireless network that best satisfies the stored criteria for wireless service and for causing said accessing circuit to access the wireless service network identified by the access control signal generated.
45. A wireless communication system organized to promote user driven competition among a plurality of commercially independent wireless service networks operating with differing frequencies and serving, within a given geographic region, a population of portable radio devices that are sufficiently frequency agile to allow access to more than one of the wireless service networks, comprising
- a. an accessing circuit associated with each portable radio device for providing access to any one of a plurality of the wireless service networks by requesting access and, if available, establishing access in response to an access control signal that causes said accessing circuit to adjust the radio frequency of the associated portable radio device as necessary to access the selected wireless service network,
 - b. network information transmitter for transmitting operational characteristics for more than one of the wireless service networks to each of the portable radio devices
 - c. control signal generator associated with each portable radio device for generating the access control signal in

- response to receipt of transmitted operational characteristics for more than one of the wireless service networks, and
- d. a frequency reallocator for increasing the capacity of any one of the wireless service networks as the aggregate demand for access to that wireless service network increases by allowing portions of the radio spectrum, otherwise available to another wireless service network, to be used by the wireless service network experiencing increased demand.
46. A wireless communication system organized to permit maximum utilization of the available radio spectrum assigned to a plurality of independent wireless service networks operating over differing communication channels to provide wireless service within a common geographic area to a plurality of portable radio devices that are sufficiently frequency agile in response to command signals supplied to the portable devices by the independent wireless service to allow selective access by each portable radio device to more than one of the wireless service networks,
- a. an accessing circuit associated with each portable radio device for providing access to any one of a plurality of the wireless service networks by requesting access and, if available, establishing access in response to an access control signal that causes said accessing circuit to adjust the radio frequency of the associated portable radio device as necessary to access the selected wireless service network,
 - b. a frequency reallocator for increasing the capacity of any one of the wireless service networks as the aggregate demand for access to that wireless service network increases by allowing portions of the radio spectrum, otherwise available to another wireless service network, to be used by the wireless service network experiencing increased demand, and
 - c. access control signal generator associated with each portable radio device for generating an access control signal that will cause a portable radio device, in response to receipt of a command signal from that wireless service network, to access a wireless service network using a frequency that has been reallocated to that wireless service network by said frequency reallocator.

* * * * *

UNITED STATES PATENT AND TRADEMARK OFFICE
CERTIFICATE OF CORRECTION

PATENT NO. : RE 38,787 E
DATED : August 30, 2005
INVENTOR(S) : Joseph B. Sainton, Charles M. Leedom, Jr. and Eric J. Robinson

Page 1 of 1

It is certified that error appears in the above-identified patent and that said Letters Patent is hereby corrected as shown below:

Column 1,

Lines 9 and 10, replace "This application is a Continuation of Ser. No. 08/167,002 filed Dec. 15, 1993, now abandoned." with -- More than one reissue application has been filed for the reissue of Patent No. 5,761,621 which issued on application no. 08/709,112 filed September 6, 1996 which is continuation of 08/167,002 filed December 15, 1993 (now abandoned). The reissue application numbers are application no. 09/392,676 (the present application) filed September 8, 1999 (now RE38,787) and application no. 10/737,670 filed December 17, 2003 (pending). Application nos. 09/392,676 and 10/737,670 are divisional reissues of Patent No. 5,761,621. --.

Signed and Sealed this

Twenty-third Day of May, 2006

A handwritten signature in black ink on a dotted background. The signature reads "Jon W. Dudas" in a cursive style.

JON W. DUDAS

Director of the United States Patent and Trademark Office

UNITED STATES PATENT AND TRADEMARK OFFICE
CERTIFICATE OF CORRECTION

PATENT NO. : RE 38,787 E
APPLICATION NO. : 09/392676
DATED : August 30, 2005
INVENTOR(S) : Joseph B. Sainton, Eric J. Robinson and Charles M. Leedom, Jr.

Page 1 of 1

It is certified that error appears in the above-identified patent and that said Letters Patent is hereby corrected as shown below:

Column 1, lines 9 and 10, replace

“More than one reissue application has been filed for the reissue of Patent No. 5,761,621 which issued on application no. 08/709,112 filed September 6, 1996 which is continuation of 08/167,002 filed December 15, 1993 (now abandoned). The reissue application numbers are application no. 09/392,676 (the present application) filed September 8, 1999 (now RE38,787) and application no. 10/737,670 filed December 17, 2003 (pending). Applications nos. 09/392,676 and 10/737,670 are divisional reissues of Patent No. 5,761,621.” with

--More than one reissue application has been filed for the reissue of U.S. Pat. No. 5,761,621 issued on application Ser. No. 08/709,112 filed Sep. 6, 1996 which is a continuation of application Ser. No. 08/167,002 filed Dec. 15, 1993 (now abandoned). The reissue applications are application Ser. No. 09/392,676 (the present application) filed Sep. 8, 1999 (now RE38,787); application Ser. No. 10/737,670 filed Dec. 17, 2003 (now RE40,540); and application Ser. No. 12/112,276 filed April 30, 2008, all three of which are divisional reissues of U.S. Pat. No. 5,761,621. The present application claims the benefit of application Ser. Nos. 08/167,002 and 08/709,112.--

Signed and Sealed this

Sixteenth Day of December, 2008



JON W. DUDAS

Director of the United States Patent and Trademark Office