



US00RE38772E

(19) **United States**
(12) **Reissued Patent**
Elsässer et al.

(10) **Patent Number: US RE38,772 E**
(45) **Date of Reissued Patent: *Aug. 9, 2005**

(54) **DISK STORAGE DEVICE HAVING AN UNDERCUT HUB MEMBER**

(75) Inventors: **Dieter Elsässer**, St. Georgen (DE);
Johann von der Heide, Schramberg (DE); **Rolf Müller**, München (DE)

(73) Assignee: **Papst Licensing GmbH & Co. KG**, St. Georgen (DE)

(*) Notice: This patent is subject to a terminal disclaimer.

(21) Appl. No.: **09/441,504**

(22) Filed: **Nov. 17, 1999**
(Under 37 CFR 1.47)

Related U.S. Patent Documents

Reissue of:

(64) Patent No.: **5,173,814**
Issued: **Dec. 22, 1992**
Appl. No.: **07/653,100**
Filed: **Feb. 8, 1991**

U.S. Applications:

(63) Continuation of application No. 08/819,099, filed on Mar. 4, 1997, now Pat. No. Re. 37,058, which is a continuation of application No. 08/360,226, filed on Dec. 20, 1994, now abandoned, which is a continuation of application No. 07/402,917, filed on Sep. 5, 1989, now Pat. No. 5,001,581, which is a continuation of application No. 07/201,736, filed on Jun. 2, 1988, now Pat. No. 4,894,738, which is a continuation-in-part of application No. 07/038,049, filed on Apr. 14, 1987, now Pat. No. 4,843,500, which is a continuation-in-part of application No. 06/767,671, filed on Aug. 21, 1985, now Pat. No. 4,658,312, which is a continuation of application No. 06/412,093, filed on Aug. 27, 1982, now abandoned, which is a continuation-in-part of application No. 06/326,559, filed on Dec. 2, 1981, now Pat. No. 4,519,010, and a continuation-in-part of application No. 06/244,971, filed on Mar. 18, 1981, now abandoned, said application No. 07/201,736, is a continuation-in-part of application No. 07/032,954, filed on Mar. 31, 1987, now Pat. No. 4,779,165, which is a continuation of application No. 06/733,231, filed on May 10, 1985, now abandoned, which is a continuation-in-part of application No. 06/412,093.

(30) **Foreign Application Priority Data**

Sep. 7, 1981 (DE) 3135385

(51) **Int. Cl.**⁷ **G11B 17/08**

(52) **U.S. Cl.** **360/98.07; 360/97.02; 360/99.08**

(58) **Field of Search** 360/98.07, 98.08, 360/99.08, 99.12

(56) **References Cited**

U.S. PATENT DOCUMENTS

3,250,929 A 5/1966 Maier
3,290,525 A 12/1966 Sudmeier

(Continued)

FOREIGN PATENT DOCUMENTS

CH 654 455 A5 2/1986
DE 1244283 7/1967

(Continued)

OTHER PUBLICATIONS

Drawing "GAE Motor" (1 sheet) Papst Motoren GmbH & Co. KG.

(Continued)

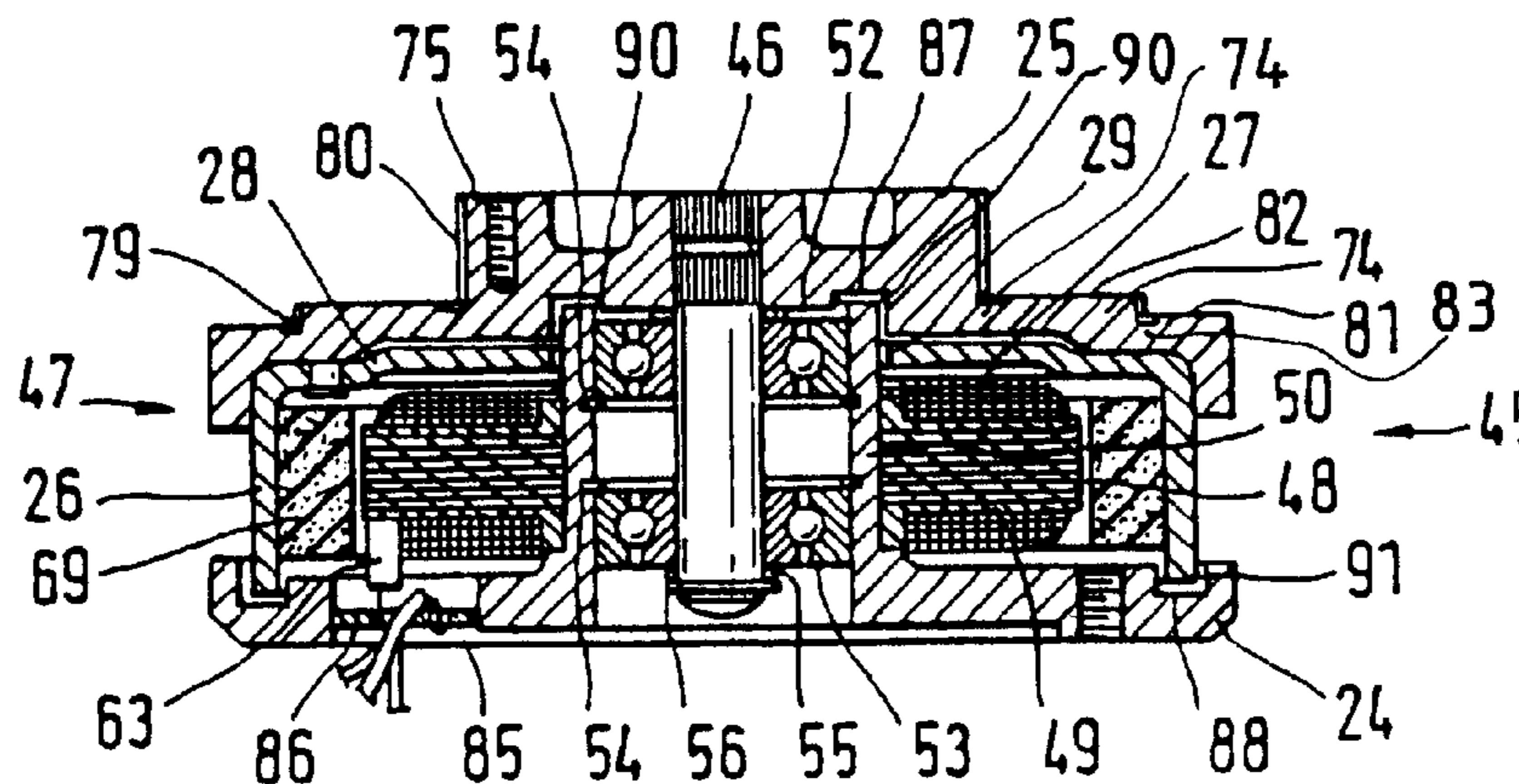
Primary Examiner—A. J. Heinz

(74) *Attorney, Agent, or Firm*—Welsh & Katz, Ltd.

(57) **ABSTRACT**

A disk memory drive includes a brushless drive outer rotor motor having an internal space and a stator with windings. The outer rotor coaxially encircles the stator and a substantially cylindrical air gap is defined between the stator and the rotor. The rotor includes permanent magnets and a hub fixedly connected with the magnet. A disk mounting section is provided on the hub for accommodating at least one storage disk positioned in a clear space, the mounting section being adapted to extend through a central aperture of the storage disk. The windings and the magnets interacting with the windings are disposed for at least half of the axial longitudinal dimension thereof within a space surrounded by the disk mounting section of the hub. Bearings rotatably mount the rotor and the hub.

23 Claims, 10 Drawing Sheets



US RE38,772 E

U.S. PATENT DOCUMENTS					
3,329,845 A	7/1967	Lear	4,366,516 A	12/1982	Ogata
3,527,969 A	9/1970	Papst	4,394,594 A	7/1983	Schmider
3,596,121 A	7/1971	Chang	4,396,959 A	8/1983	Harrison
3,634,873 A	1/1972	Nishimura	4,396,964 A	8/1983	Morehouse
3,691,542 A	9/1972	Gabor	4,398,134 A	8/1983	Müller
3,706,085 A	12/1972	Mowrey	4,417,167 A	11/1983	Ishii
3,732,025 A	5/1973	Miles, Jr.	4,430,603 A	2/1984	Müller
3,805,134 A	4/1974	Osamu	4,438,542 A	3/1984	Schuh
3,840,761 A	10/1974	Müller	4,445,159 A	4/1984	Nemoto
3,845,339 A	10/1974	Merkle	4,471,395 A	9/1984	Beck
3,849,800 A	11/1974	Cuzner	4,497,138 A	2/1985	Schriber
3,860,843 A	1/1975	Kawasaki	4,516,177 A	5/1985	Moon
3,864,610 A	2/1975	Kawamoto	4,519,010 A	5/1985	Elsässer
3,864,748 A	2/1975	Herdman	4,529,900 A	7/1985	Uzuka
3,873,897 A	3/1975	Müller	4,535,373 A	8/1985	Schuh
3,888,403 A	6/1975	Yoshida	4,553,183 A	11/1985	Brown
3,891,905 A	6/1975	Müller	4,554,473 A	11/1985	Müller
3,922,590 A	11/1975	Warren	4,562,496 A	12/1985	Saito
3,940,670 A	2/1976	Tanikoshi	RE32,075 E	1/1986	Harrison et al.
3,967,200 A	6/1976	Tetsugu	4,599,664 A *	7/1986	Schuh 360/99.08
3,977,804 A	8/1976	Kitagawa	4,607,182 A	8/1986	Ballhaus
3,988,024 A	10/1976	Watanabe	4,616,538 A	10/1986	Hessbüggen
4,005,490 A	1/1977	Duncan	4,656,545 A	4/1987	Kakuta
4,008,422 A	2/1977	Sodekoda	4,658,312 A	4/1987	Elsässer
4,031,558 A	6/1977	Kusaka	4,672,250 A	6/1987	Seitz
4,034,411 A	7/1977	Kraemer	4,672,487 A	6/1987	Brand
4,054,931 A	10/1977	Bolton	4,692,827 A	9/1987	Biermeier
4,062,049 A	12/1977	Dirks	4,701,653 A	10/1987	Merkle
4,092,572 A	5/1978	Murata	4,717,977 A	1/1988	Brown
4,099,104 A	7/1978	Müller	4,725,904 A	2/1988	Dalziel
4,101,945 A	7/1978	Butsch	4,739,203 A	4/1988	Miyao
4,115,715 A	9/1978	Müller	4,739,425 A	4/1988	Dierkes
4,130,845 A	12/1978	Kulma	4,739,427 A	4/1988	Kilmer
4,136,366 A	1/1979	Ogiro	4,743,995 A	5/1988	Castle
4,150,406 A	4/1979	Stollorz	RE32,702 E	6/1988	Hasler
4,167,692 A	9/1979	Sekiya	4,754,351 A	6/1988	Wright
4,174,484 A	11/1979	Schmider	4,779,165 A	10/1988	Elsässer
4,181,867 A	1/1980	Müller	4,780,777 A	10/1988	Biermeier
4,185,308 A	1/1980	Fujioka	4,797,762 A	1/1989	Levy
4,190,870 A	2/1980	Avina	4,805,055 A	2/1989	Wright
4,193,646 A	3/1980	Rocki	4,814,652 A	3/1989	Wright
4,194,225 A	3/1980	Hasler	4,829,657 A	5/1989	Wright
4,194,743 A	3/1980	Ohsawa	4,843,500 A	6/1989	Elsässer
4,197,489 A	4/1980	Dunn	4,905,110 A *	2/1990	Krum 360/99.08
4,205,357 A *	5/1980	Barton 360/98.08	4,922,406 A	5/1990	Schuh
4,216,512 A	8/1980	Vidwans	4,928,029 A	5/1990	Wright
4,228,387 A	10/1980	Brown	4,949,000 A	8/1990	Petersen
4,249,221 A	2/1981	Cox	4,991,211 A	2/1991	Cap
4,252,353 A	2/1981	Raj	5,001,581 A	3/1991	Elsässer
4,268,878 A	5/1981	Kearns	5,006,943 A	4/1991	Elsässer
4,275,339 A	6/1981	Burke	5,040,085 A	8/1991	Elsässer
4,280,072 A	7/1981	Gotou	5,128,819 A	7/1992	Elsässer
4,280,155 A	7/1981	Scott	5,173,814 A	12/1992	Elsässer
4,282,554 A	8/1981	Ho	5,216,557 A	6/1993	Elsässer
4,283,644 A	8/1981	Kondo	RE34,412 E	10/1993	Elsässer
4,285,016 A	8/1981	Gilovich	5,251,081 A	10/1993	Cossette
4,286,184 A	8/1981	Kogler	5,382,853 A	1/1995	von der Heide
4,307,425 A	12/1981	Kaneko	5,422,769 A	6/1995	Elsässer
4,317,146 A	2/1982	Gervais	5,424,887 A	6/1995	Schuh
4,329,604 A	5/1982	Dunstan	5,446,610 A	8/1995	Elsässer
4,329,722 A	5/1982	West	5,557,487 A	9/1996	Elsässer
4,336,470 A	6/1982	Gutris	5,661,351 A	8/1997	von der Heide
4,337,491 A	6/1982	Hasler	5,708,539 A	1/1998	Schuh
4,352,133 A	9/1982	Hager	5,729,403 A	3/1998	Schuh
4,356,437 A	10/1982	Saito	RE35,792 E	5/1998	Elsässer
4,359,761 A	11/1982	Papst	5,774,302 A	6/1998	Elsässer
4,363,046 A	12/1982	Saito	5,777,822 A	7/1998	Schuh
4,363,057 A	12/1982	Silverling	5,801,900 A	9/1998	Elsässer
4,365,187 A	12/1982	McDaniel	RE36,016 E	12/1998	Cap
4,365,916 A	12/1982	Miyakawa	5,946,161 A	8/1999	Schuh

FOREIGN PATENT DOCUMENTS

DE	1954409	6/1970	JP	52-50704	4/1977
DE	2028228	12/1970	JP	52-048009	4/1977
DE	2319579	4/1973	JP	52-145312	11/1977
DE	2225442	12/1973	JP	52-170004	12/1977
DE	2346380	11/1974	JP	53-23010	3/1978
DE	2639055	3/1977	JP	53-39727	4/1978
DE	2612464	8/1977	JP	53-51719	5/1978
DE	26 17 860	11/1977	JP	53-55106	5/1978
DE	2804787	9/1978	JP	53-57010	5/1978
DE	2840057	3/1979	JP	53-055724	5/1978
DE	2647675	4/1979	JP	53-70309	6/1978
DE	2749729	5/1979	JP	53-76809	7/1978
DE	2841137	5/1979	JP	54-41619	3/1979
DE	3049334	10/1981	JP	54-9921	5/1979
DE	3122049	7/1982	JP	54-58011	5/1979
DE	3144629 A1	7/1982	JP	55-170495	5/1979
DE	3135385 A1	3/1983	JP	52-099908	8/1979
DE	3314079	12/1983	JP	54-111317	8/1979
DE	3538480	4/1986	JP	54-121914	9/1979
EP	0 069 545	1/1983	JP	54-139819	9/1979
EP	0 015 739	4/1983	JP	54-136309	10/1979
EP	0094484 A1	11/1983	JP	54-156106	12/1979
EP	0 107 380	2/1984	JP	55-43360	3/1980
EP	0 151 259	4/1985	JP	55-141258	4/1980
EP	0151258 A1	8/1985	JP	55-139674	10/1980
EP	0151260 A1	8/1985	JP	55-25725	12/1980
EP	0 172 459	2/1986	JP	56-9594	1/1981
EP	0 263 932	4/1988	JP	56-107364	8/1981
FR	2415859	8/1979	JP	56-166760	12/1981
FR	2453527	10/1980	JP	57-53876	3/1982
GB	393617	6/1933	JP	57-171532	10/1982
GB	1407431	8/1972	JP	58-22571	2/1983
GB	1328717	8/1973	JP	58-30965	2/1983
GB	1434192	5/1976	JP	58-30312	4/1983
GB	1486070	9/1977	JP	58-159201	9/1983
GB	2005482	4/1979	JP	58-200480	11/1983
GB	2013388	8/1979	JP	59-22273	2/1984
GB	2032197	4/1980	JP	59-207069	11/1984
GB	1572586	7/1980	JP	61-34771	2/1986
GB	2072924	10/1981	JP	61-20871	6/1986
GB	2075240	11/1981	WO	WO 80/01525	7/1980
GB	1604121	12/1981	WO	8401863	5/1984
GB	2092834 A	8/1982			
GB	2166586	5/1986			
GB	2195812	4/1988			
JP	53-55509	10/1951			
JP	41-015606	9/1966			
JP	41-021084	9/1966			
JP	49-34714	6/1972			
JP	48-86510	11/1973			
JP	48-87809	11/1973			
JP	49-46716	5/1974			
JP	49-71909	7/1974			
JP	49-85110	7/1974			
JP	50-90905	7/1975			
JP	50-128510	10/1975			
JP	50-146309	11/1975			
JP	50-152708	12/1975			
JP	50-159704	12/1975			
JP	51-33410	3/1976			
JP	50-128506	3/1976			
JP	51-57011	5/1976			
JP	51-62002	5/1976			
JP	51-26669	7/1976			
JP	51-84516	7/1976			
JP	51-121306	10/1976			
JP	51-151513	12/1976			
JP	52-6914	1/1977			
JP	52-004002	1/1977			
JP	52-42209	3/1977			

OTHER PUBLICATIONS

Drawing "Motor 9333 5310 001" (2 sheets) Papst Motoren GmbH & Co. KG.

Zweipulsige Kollektorlose Gleichstrom Motoren (No Month) 1977; Papst Motoren KG., Germany.

Brushless DC Drive Spindle "Sextant", Rotron, Inc., Woodstock, N.Y., Nov. 17, 1980.

Kobayashi et al., "Direct Drive System For Isolated Loop Drive." National Technical Report, vol. 22, No. 4, Aug. 1976.

"Who Need High Capacities?", M. Pearce, *Computer Systems*, Nov. 1983, pp. 81-84.

"Motor in spindle gives micro-Winchester room for 140M bytes", J. Swartz, *Mini-Micro Systems*, Feb. 1983. pp. 143-144, 147-148.

An Overview of the Sperry Flight Management Computer system for the Boeing 757/767 Airplanes (1979).

Plastic Ridge Seal to Trap Airborne Submicron Particles, V.J. Trotter, Jr. *IBM Technical Disclosure Bulletin*, vol. 19, No. 4 Sep. 1976.

Fixed-Head Disk Memory Unit for High Reliability Applications, Isozaki et al. *NEC Research & Development*, No. 44 Jan. 1977 at pp. 57-67.

Hardware Maintenance Manual for Control Data Fixed Disk Drive Model 9414.

German article entitled: "Diskettenantrieb im Mini-Floppy-Laufwerk," taken from *VDI—Berichte Nr. 482* Von Ing. (Grad.) K. Schramm, Nurnberg., pp. 56–59 (1983).

German brochure entitled: "P.M. Computerheft—*Computer Entdecken Und Verstehen*", pp. 49–51 (Feb. 1984).

"Machine Tools, New Edition", Ito et al., Published 1970.

"*American Metal Market*, V. 92 (p. 10), Jan. 30, 1984: Composites Used Extensively In Buick Tin-Plating Systems".

Machinery and Production Engineering, V. 116, N. 3003 (pp. 861–862), 1970 "Universal Power Chucks Facilitate Small Batch Production".

Production, V. 93, No. 5, May 1984 "Spotlight On Machining Centers".

* cited by examiner

FIG. 1

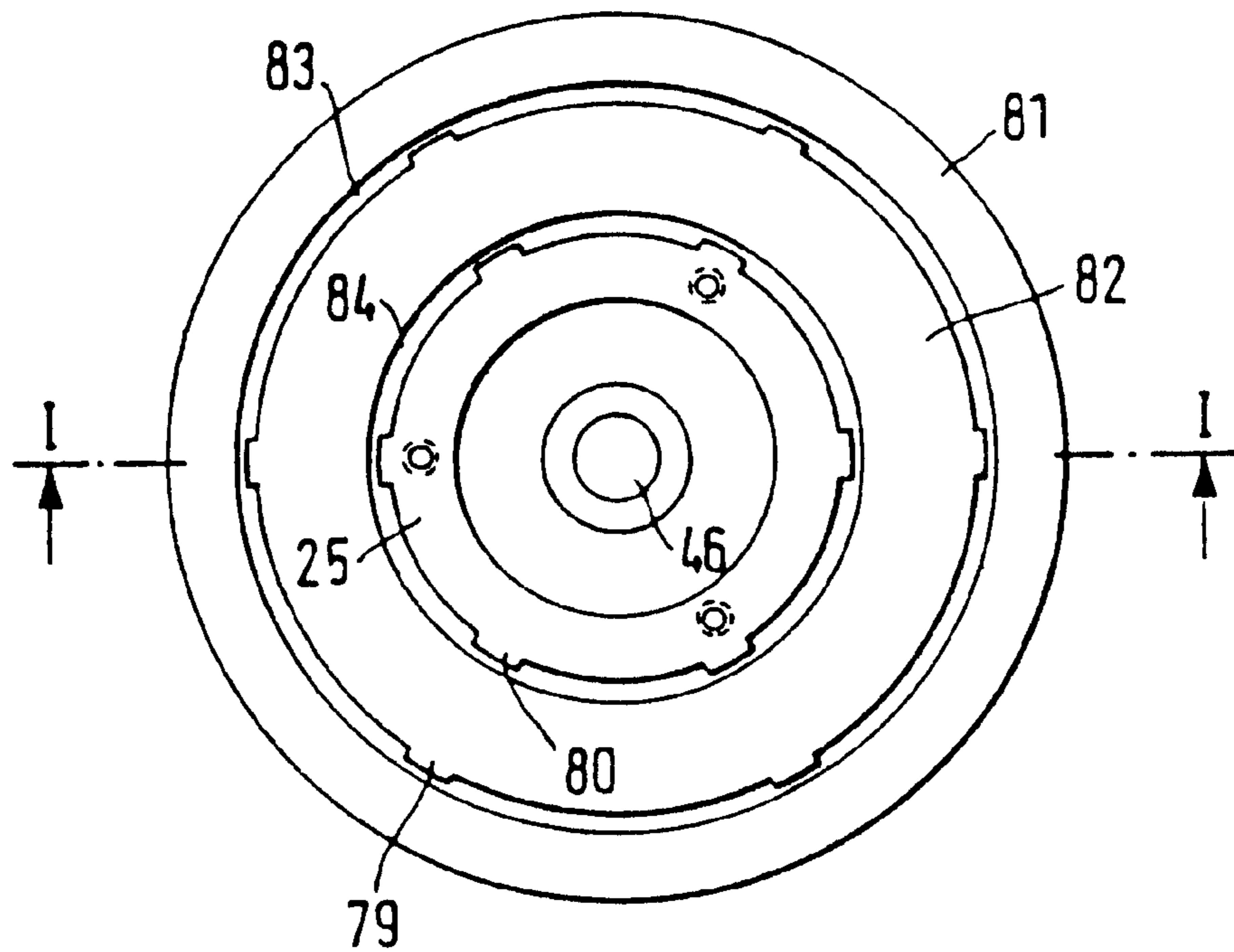
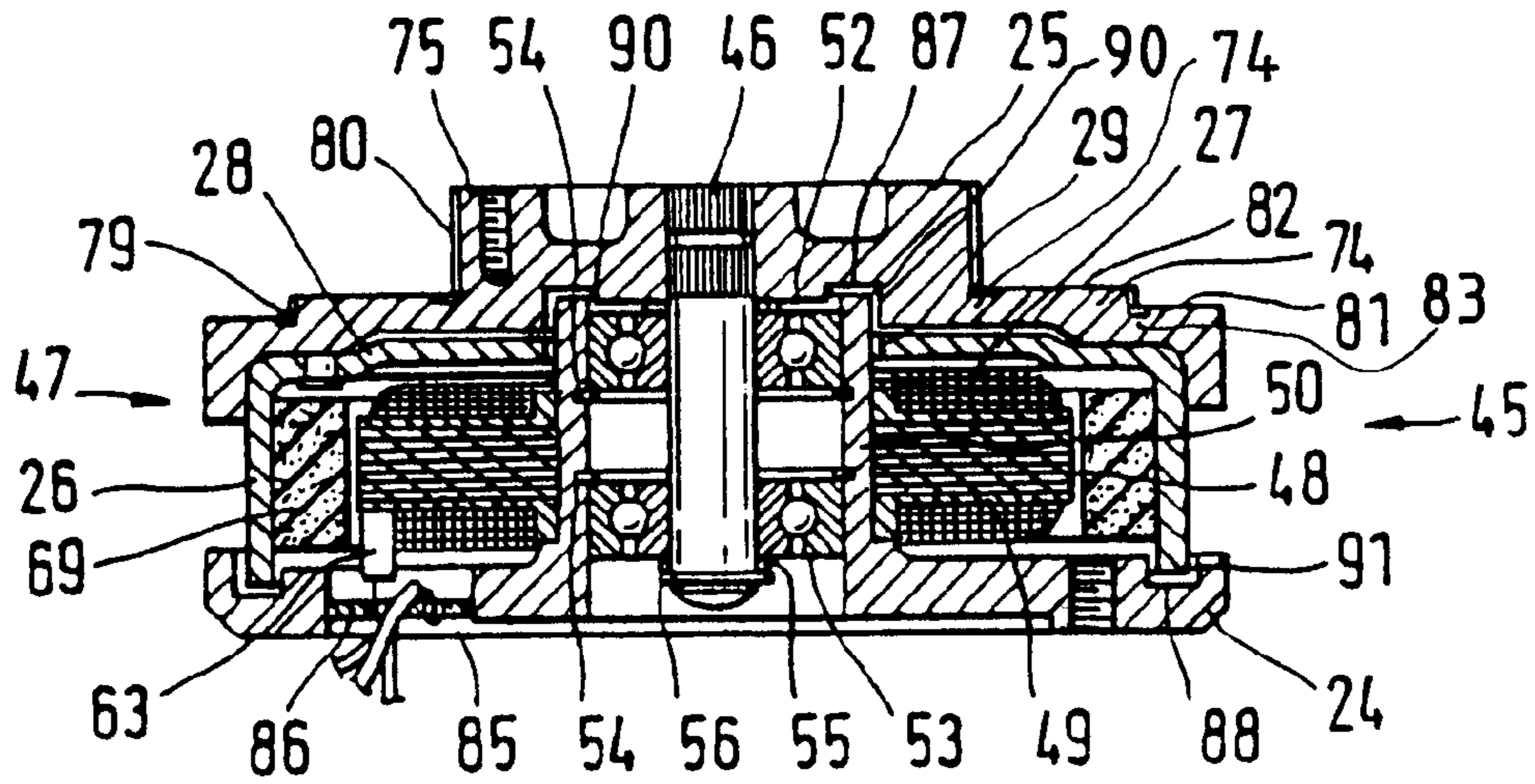


FIG. 2

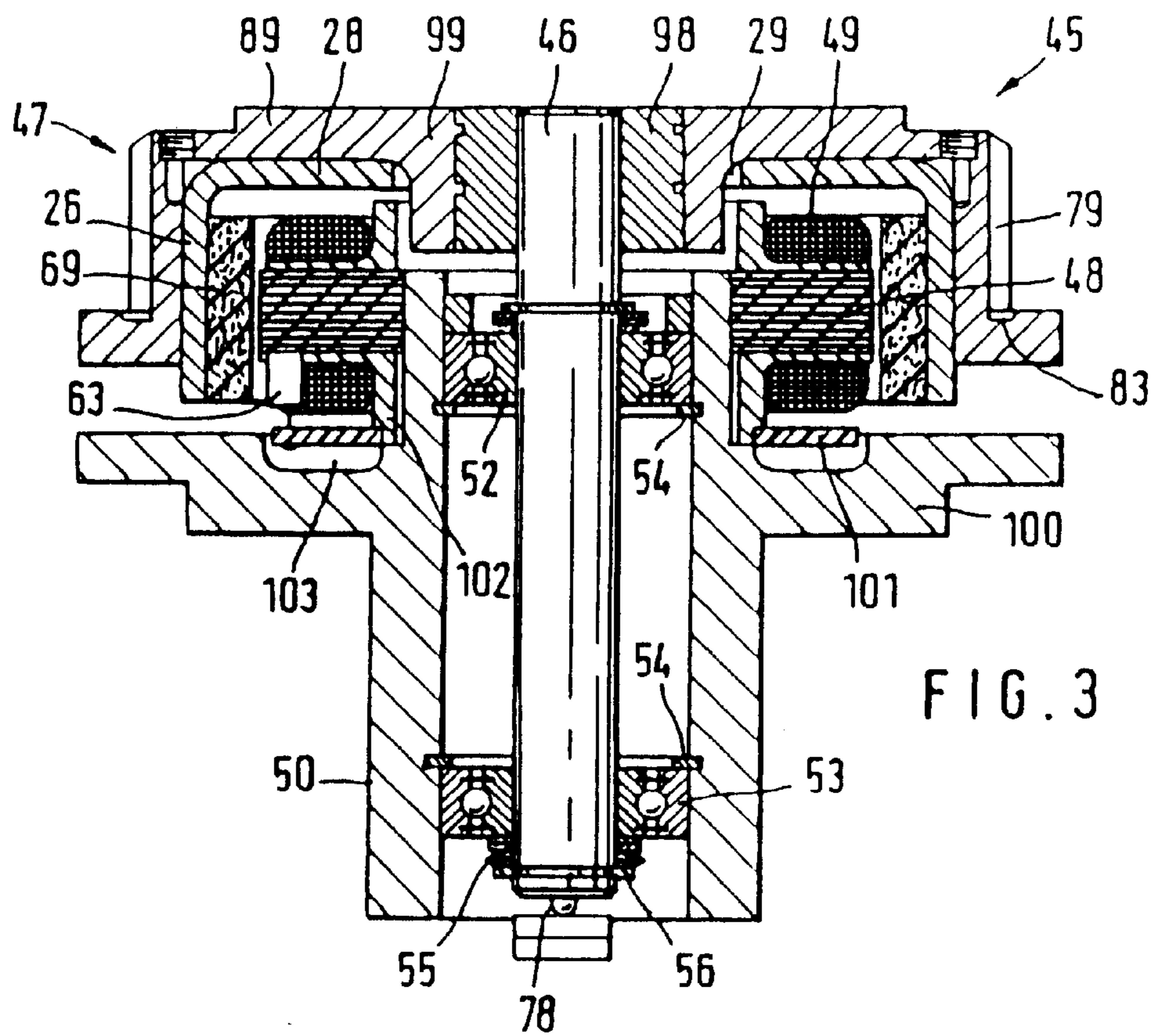


FIG. 3

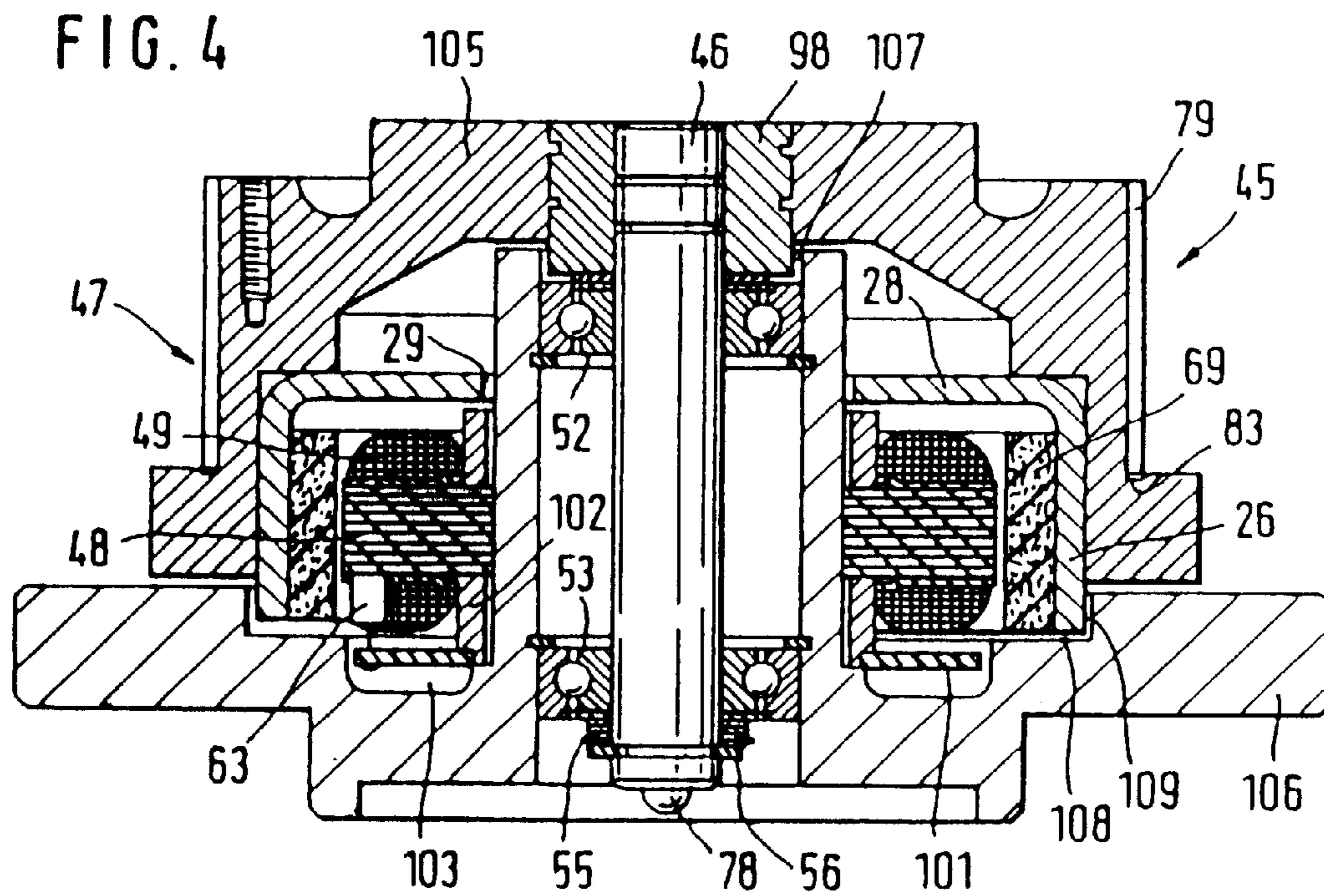


FIG. 4

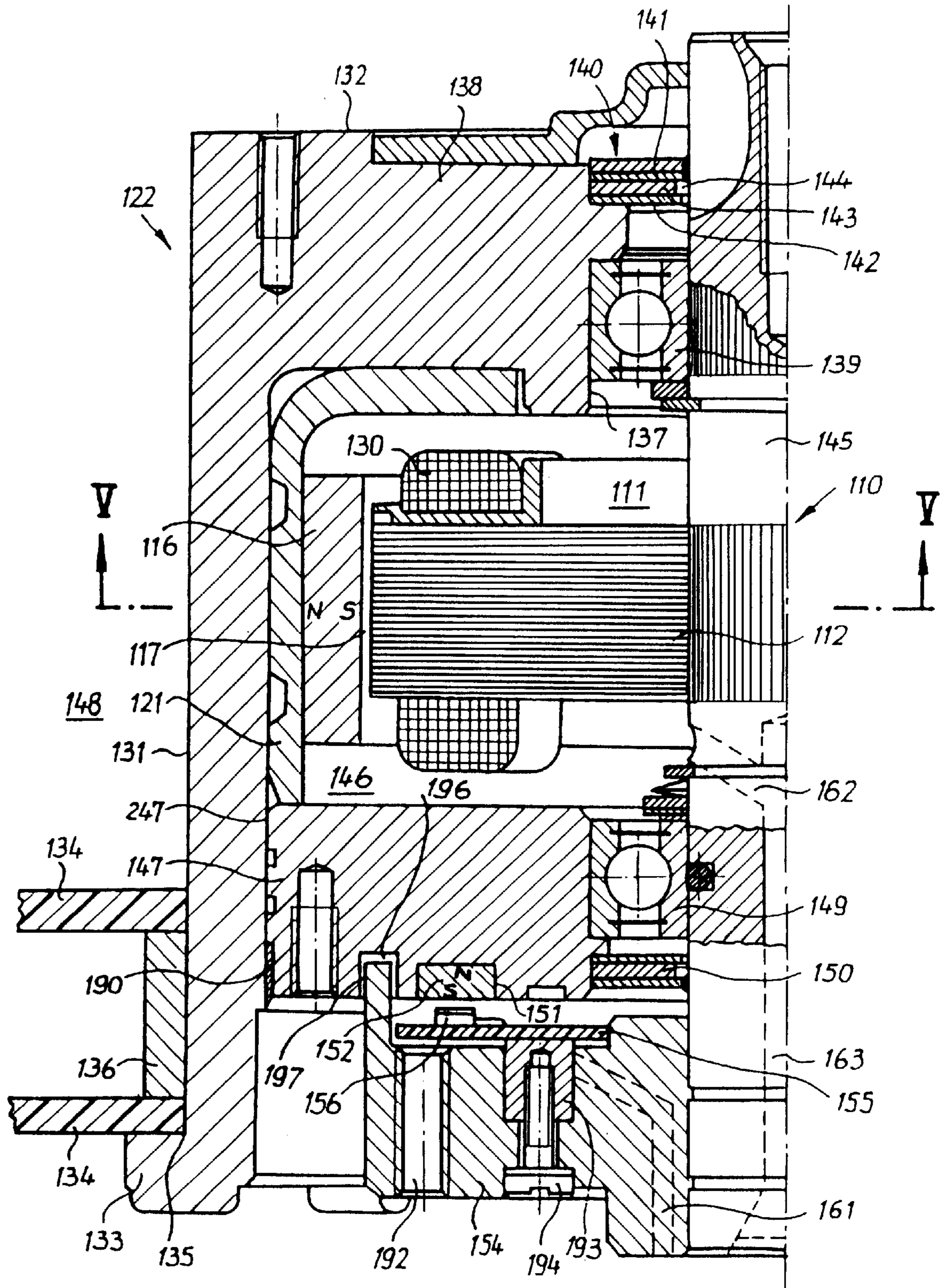


Fig. 6

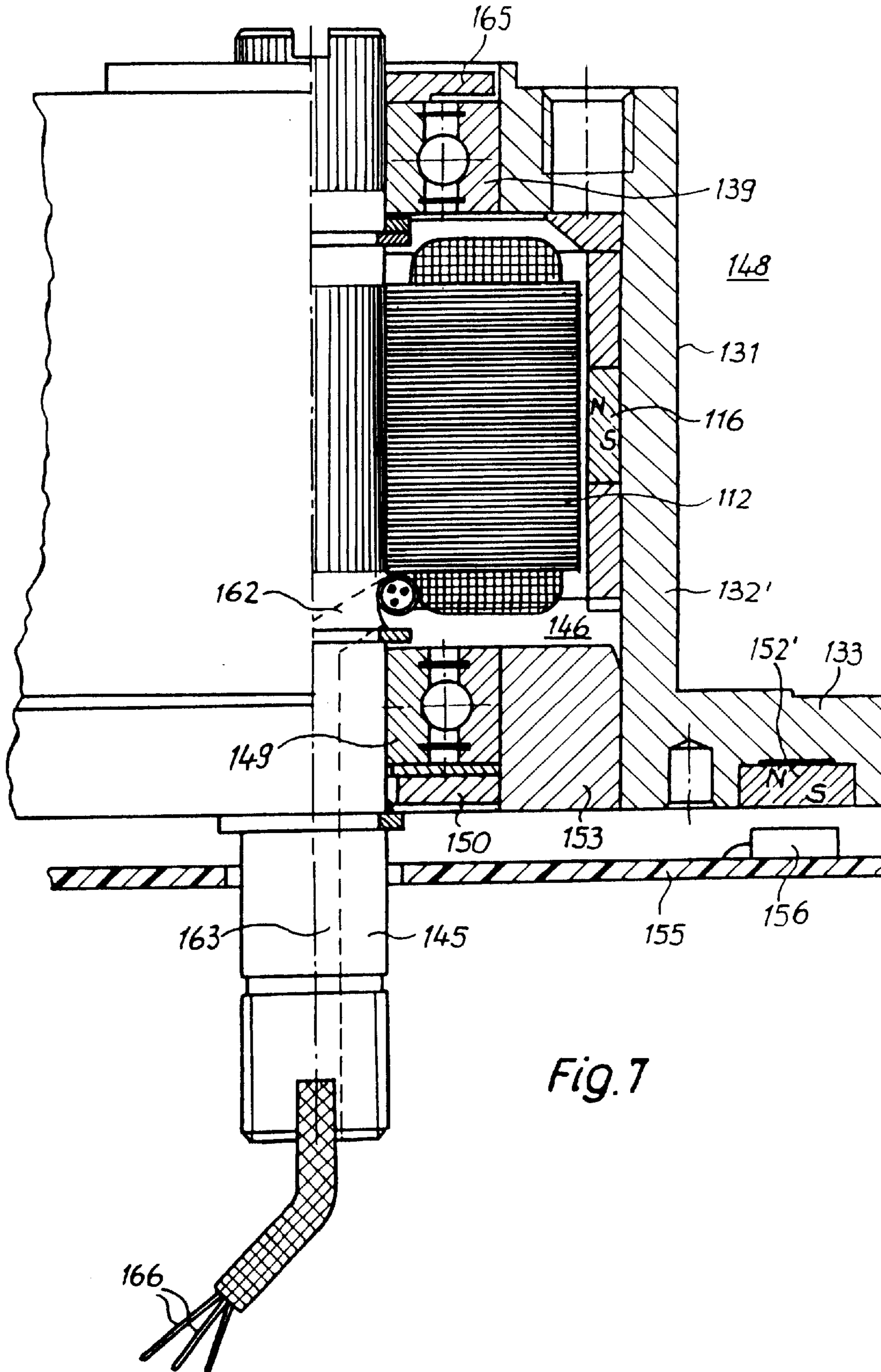


Fig. 7

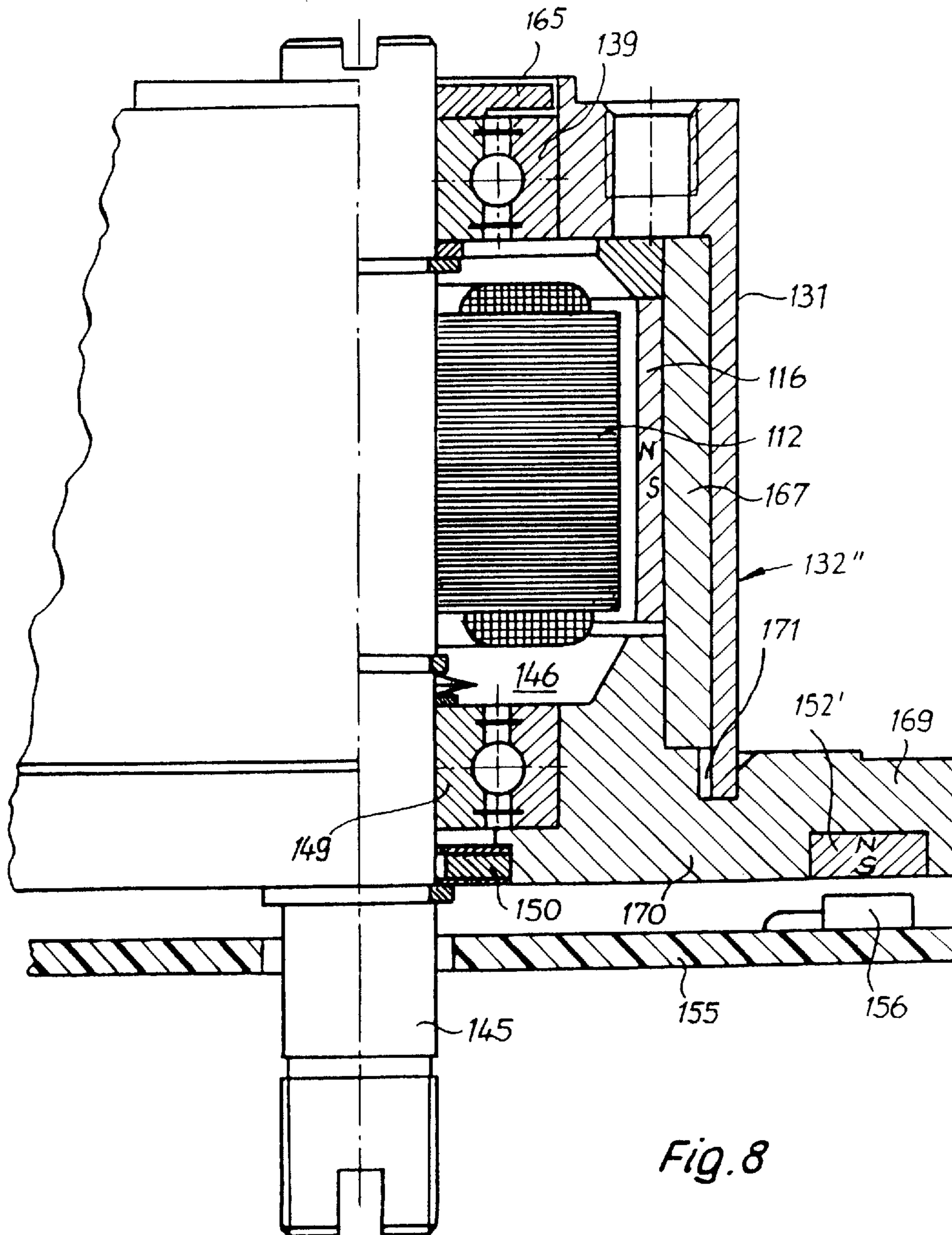


Fig. 8

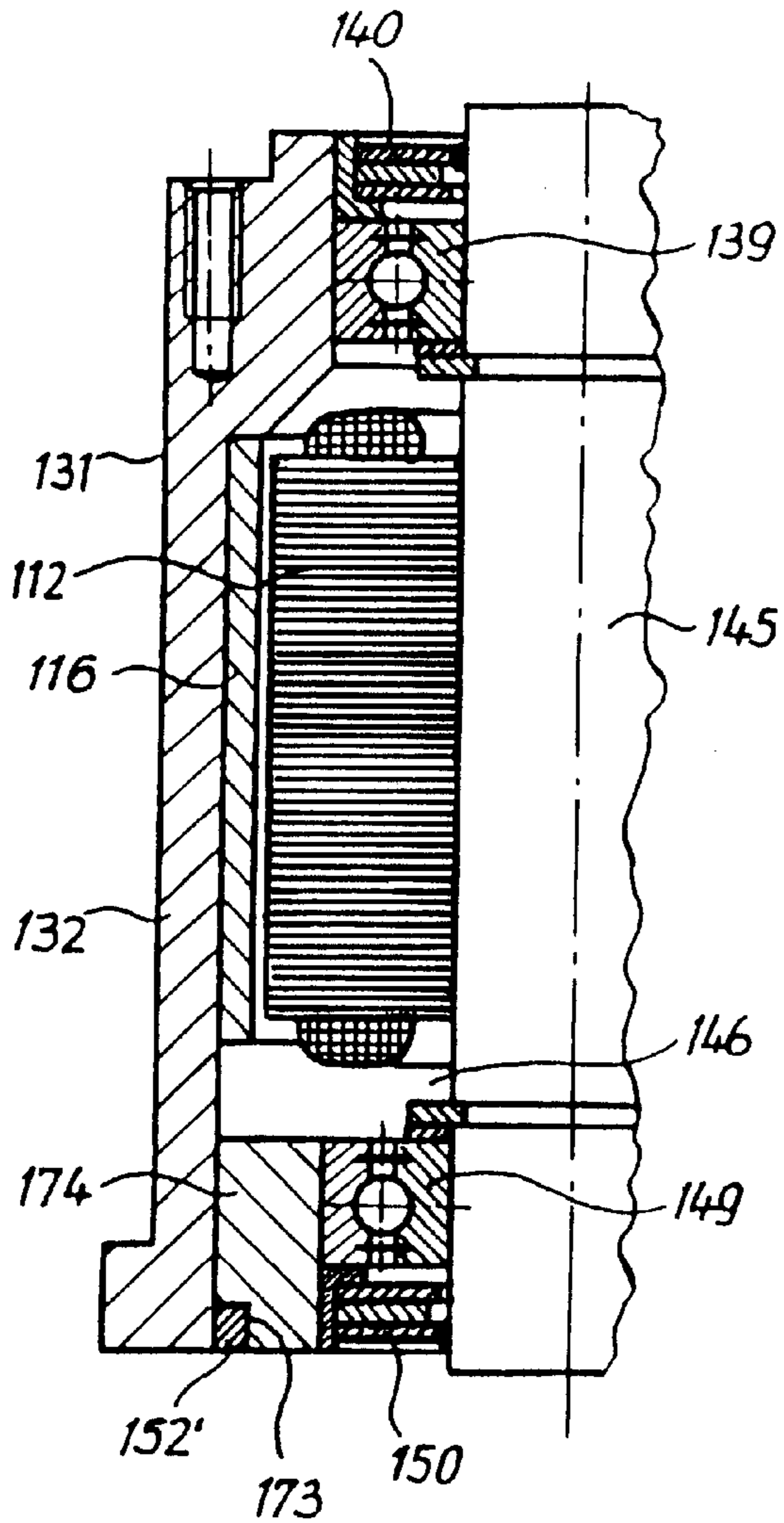


Fig. 9

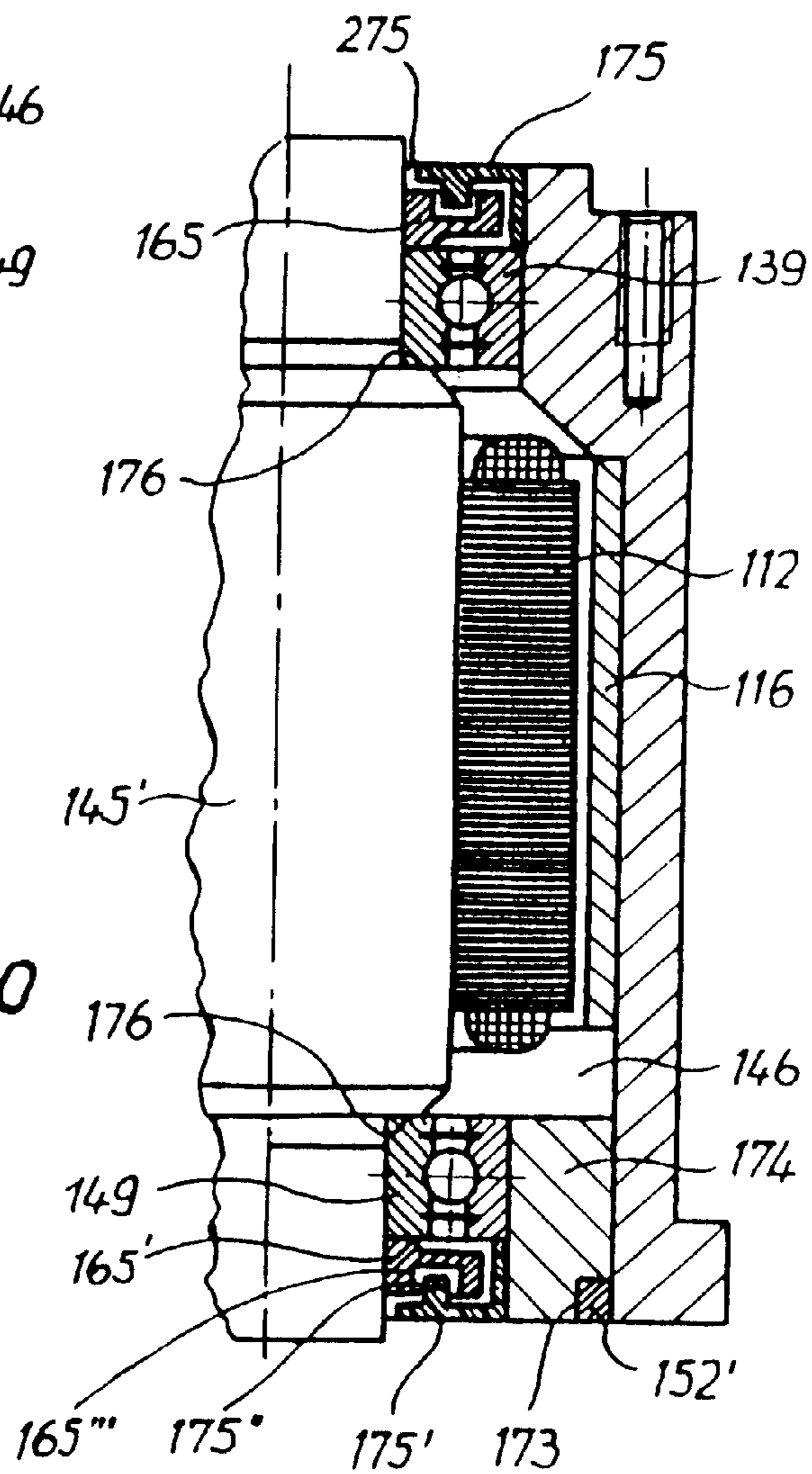


Fig. 10

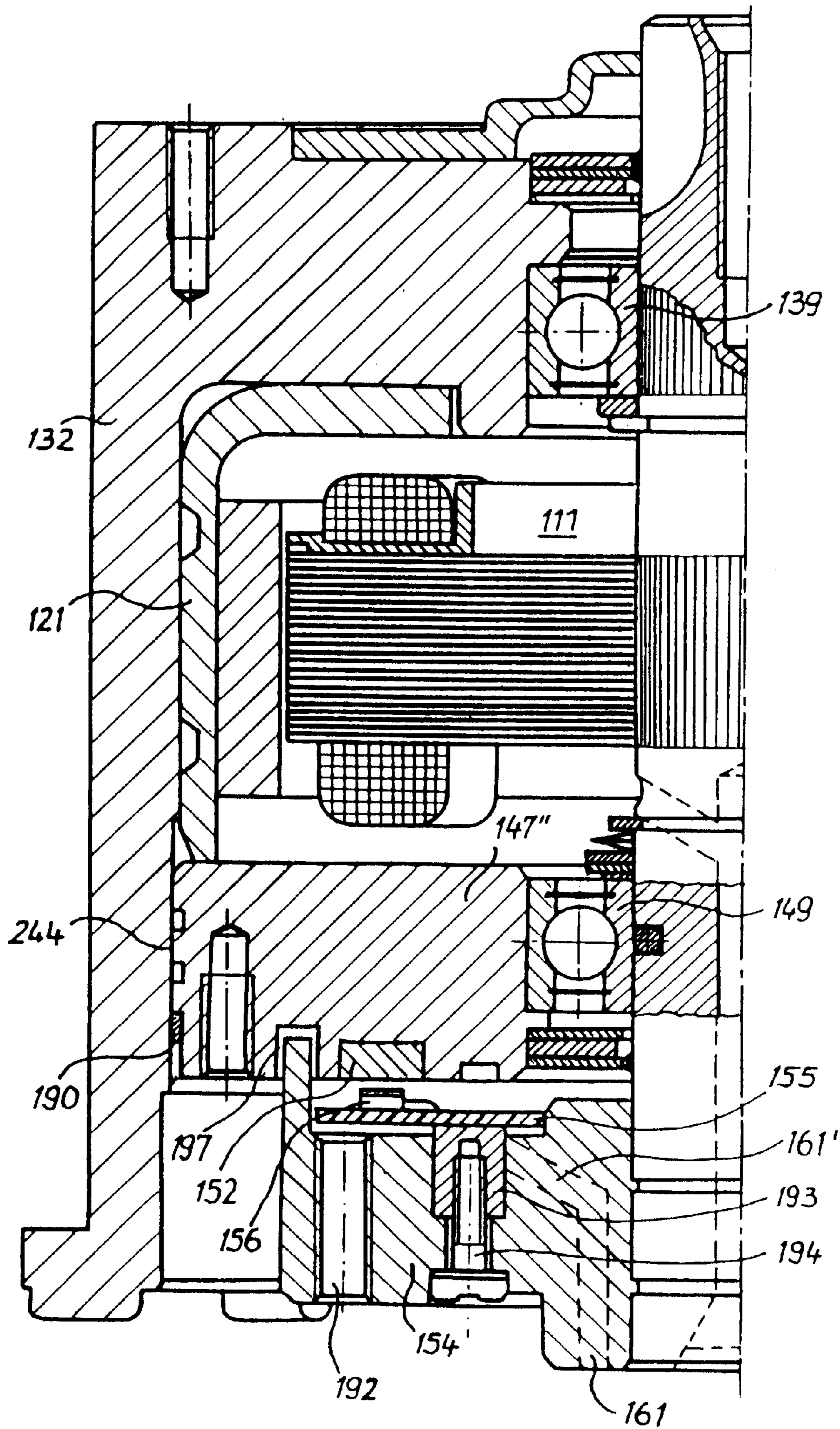


Fig. 13

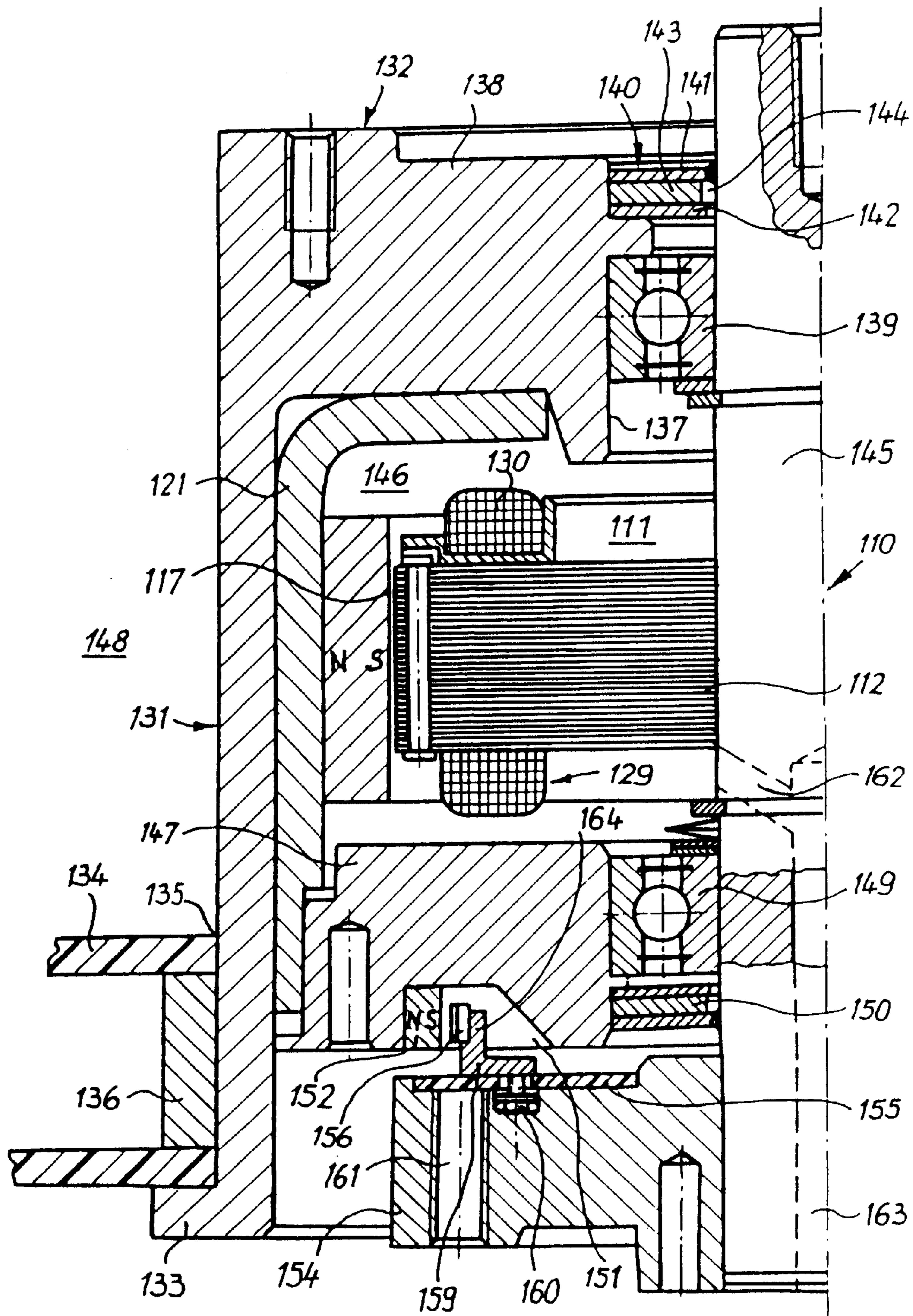


Fig. 14

**DISK STORAGE DEVICE HAVING AN
UNDERCUT HUB MEMBER**

Matter enclosed in heavy brackets [] appears in the original patent but forms no part of this reissue specification; matter printed in italics indicates the additions made by reissue.

BACKGROUND OF THE INVENTION

This is a continuation of application *Ser. No. 819,099, filed Mar. 4, 1997, now U.S. Pat. No. Re. 37,058, issued Feb. 20, 2001, which is a continuation of application Ser. No. 360,226, filed Dec. 20, 1994, now abandoned, which is a broadening reissue application of U.S. Pat. No. 5,173,814, issued Dec. 22, 1992 from application Ser. No. 653,100, filed Feb. 8, 1991, said application Ser. No. 653,100 being is a continuation of application Ser. No. 07/402,917, filed Sep. 5, 1989, now U.S. Pat. No. 5,001,581, issued Mar. 19, 1991, which is a continuation of application Ser. No. 201,736, filed Jun. 2, 1988, [now] U.S. Pat. No. 4,894,738, issued Jan. 16, 1990, now U.S. Pat. No. Re. 35,792, issued May 12, 1998, which is a continuation-in-part of application Ser. No. 038,049, filed Apr. 14, 1987, now U.S. Pat. No. 4,843,500, issued Jun. 27, 1989, which is a continuation-in-part of application Ser. No. 767,671, filed Aug. 21, 1985, now U.S. Pat. No. 4,658,312, issued Apr. 14, 1987, which is a continuation of application Ser. No. 412,093, filed Aug. 27, 1982, now abandoned, which is a continuation-in-part of application Ser. No. 326,559, filed Dec. 2, 1981, now U.S. Pat. No. 4,519,010, issued May 21, 1985, said application Ser. No. 412,093 also being a continuation-in-part of application Ser. No. 244,971, filed Mar. 18, 1981, now abandoned, said application Ser. No. 201,736 also being a continuation-in-part of application Ser. No. 32,954, filed Mar. 31, 1987, U.S. Pat. No. 4,779,165, issued Oct. 18, 1988, now U.S. Pat. No. Re. 34,412, issued Oct. 19, 1993, which is a continuation of application Ser. No. 733,231, filed May 10, 1985, now abandoned, which is a continuation-in-part of the said application Ser. No. 412,093.*

**CROSS-REFERENCE TO RELATED
APPLICATIONS**

A broadening reissue application for U.S. Pat. No. 5,173,814 was filed on Dec. 20, 1994 and assigned Ser. No. 08/360,226. On Mar. 4, 1997, a continuation of this application was filed and was assigned Ser. No. 08/819,099. On Jun. 9, 1999, five continuation applications from the 08/819,099 application were filed. On Nov. 17, 1999, a sixth continuation application from the 819,099 application was filed. These applications, as currently pending, are described below:

- a) *"Disk Storage Device Having A Sealed Bearing Tube" (Ser. No. 09/333,399, now RE 38,662), inventors Elsässer and von der Heide, filed Jun. 9, 1999;*
- b) *"Disk Storage Device Having A Radial Magnetic Yoke Feature" (Ser. No. 09/333,338; now RE 38,601), inventors Elsässer, von der Heide, and Müller, filed Jun. 9, 1999;*
- c) *"Disk Storage Device Having A Hub Sealing Member Feature" (Ser. No. 09/333,397), inventors Elsässer and von der Heide, filed Jun. 9, 1999;*
- d) *"Disk Storage Device Having An Underhub Spindle Motor" (Ser. No. 09/333,396; now RE 38,178), inventors Elsässer, von der Heide, and Müller, filed Jun. 9, 1999;*
- e) *"Disk Storage Device Having a Particular Magnetic Yoke Feature" (Ser. No. 09/333,400; now RE 38,179), inventors Elsässer and von der Heide, filed Jun. 9, 1999; and*

- f) *"Disk Storage Device Having An Undercut Hub Member" (Ser. No. 09/441,504), inventors Elsässer and von der Heide, filed Nov. 17, 1999.*

The invention relates to a disk storage drive for receiving at least one storage disk having a central opening, with an outer rotor type driving motor having a rotor casing mounted by means of a shaft in a bearing system so as to rotate relative to a stator and on which can be placed the storage disk for driving by the rotor casing, as described in U.S. patent application Ser. No. 353,584, now U.S. Pat. No. 4,438,542, issued Mar. 27, 1984.

The content of this patent is incorporated herein by reference to avoid unnecessary repetition. It relates to a storage drive for receiving at least one storage disk having a central opening. The driving motor extends coaxially at least partly through the central opening of the storage disk, and means are provided for connecting the storage disk and the driving motor rotor.

BRIEF SUMMARY OF THE INVENTION

One problem of the present invention is to further simplify the construction of a disk storage described in the aforementioned U.S. Pat. No. 4,438,542, while improving its operation. For example, the storage disk is to be reliably protected against undesired influencing by the magnetically active parts of the driving motor. In addition, a particularly space-saving and robust construction of the driving motor are to be achieved.

According to the invention, this first problem is solved in that at least the part of the rotor casing receiving the storage disk is made from a non-ferromagnetic material and carries the shaft directly or by means of a hub and in that a magnetic shield made from a ferromagnetic material in the form of a drawn can projects into the storage disk receiving part of the rotor casing and is connected thereto. The shielding surrounds the periphery of the magnetically active parts of the driving motor and also envelops the parts at one end. The shield has a central opening whose edge is directly radially adjacent the shaft or parts of the driving motor carrying or supporting the shaft. A rotor casing constructed in this way can be easily manufactured, and it effectively protects the magnetically sensitive storage disks, particularly magnetic hard storage disks, against magnetic stray flux emanating from the magnetically active parts of the driving motor. The shield is preferably in the form of a deep-drawn can, and the part of the rotor casing receiving the storage disk can be made from a lightweight metal by die casting.

If, in the manner described in the aforementioned U.S. Pat. No. 4,438,542, the driving motor is constructed as a brushless direct current motor with a permanent magnet rotor, then in accordance with a further development of the invention a printed circuit board with at least one rotary position detector and perhaps other electronic components for the control and regulation of the driving motor are mounted on the side of the stator remote from the closed end of the shielding can. This ensures that the rotary position detector and any further circuit components of the magnetic shielding arrangement do not interfere with the rotating parts.

Further advantageous developments of the invention also are disclosed, including features that contribute to a compact construction of the disk storage drive. In connection with disk storage drives of the present type, high demands are made on the concentricity of the storage disks. It is therefore generally necessary to machine the storage disk receiving part or to work it in some other way so that it is dimension-

ally true. As a result of other features of the invention, the necessary machining is reduced to a relatively small part of the circumferential surface of the storage disk receiving part and a trouble-free engagement of a storage disk on the shoulder of the storage disk receiving part is permitted.

Other features of the invention provide a robust precision mounting support for utilizing the available axial overall length for maximizing the distance between the bearings; and permit particularly large distances between the bearings where the axial installation area between a mounting or assembly flange and the end of the storage disk receiving part is limited. Installation space is available on the other side of this flange. Still other features provide for alternative solutions leading to particularly small radial runouts of the rotor; ensure a space-saving housing of the circuit board; and for solutions where importance is attached to a particularly shallow construction.

In a further development of the invention, a disk storage drive of the type disclosed in U.S. Pat. No. 4,779,165, issued Oct. 18, 1988, *now U.S. Pat. No. Re. 34,412, issued Oct. 19, 1993* is considered. Some such disk storage drives have stationary shafts and a sealed off internal space within the motor.

In the construction of such data storage disk drives with stationary shafts, problems also have arisen in the following areas:

- a) Achieving extremely high level of precision required for repeatable shaft runout;
- b) Improving the sealing of the clean chamber; and
- c) Achieving a and b within acceptable costs.

Yet another purpose of the present invention, therefore, is to provide a further development of the data storage disk drive of the above type having a stationary shaft by providing viable solutions for various combinations of the above problems, such as a and c; b and c; and a, b and c.

If the rotational position sensor device has several rotational position sensors, preferably of the type sensitive to magnetic fields, it is advantageous for these sensors to be supported on a common molded piece, especially if it is made by injection molding. The construction of the molded piece for the accommodation of several rotational position sensors in accordance with the invention simply ensures the precise mutual alignment of these sensors.

If required, the rotary position sensing arrangement can be mounted on a printed circuit board, together with any known type of commutation electronics. This printed circuit board can be supported on a fixed flange or bracket which is, in turn, connected to the shaft through which the connecting leads to the rotary position sensors may be brought out.

The control arrangement, which preferably takes the form of a control magnet device, can be mounted on the outside of a cover which seals off the space inside the motor. This cover may preferably serve as a bearing bracket as well. The control arrangement, however, also can be mounted on a part of the hub at a distance from the disk carrier stage outside the sealed internal space of the motor. A flange which serves to support the data storage disk or disks, may be connected to the remaining hub parts as one piece, or alternatively, this flange may form part of the cover which seals off the internal space of the motor.

In accordance with one variant of the present invention, at least the electric supply leads to the stator windings are brought out of the sealed internal space of the motor over a bearing support ring. This arrangement obviates the need to provide passages in the shaft to accommodate the winding connections. In yet another alternative arrangement, the rotary position sensing arrangement, together with the com-

mutation electronics, if necessary, can both be housed in the sealed internal space of the motor with their leads and connections being brought out over the bearing support ring. In any event, none of the above arrangements requires the provision of passages formed through the stationary shaft, thus avoiding the need to weaken the shaft or to perform additional machining operations in the manufacturing thereof.

The bearing support ring can be a prefabricated component provided with recesses for the passage of the electric leads and connections. Alternatively, the aforesaid connections can be potted in situ inside the bearing support ring.

BRIEF DESCRIPTION OF THE DRAWINGS

The invention is described in greater detail hereinafter relative to non-limitative embodiments and the attached drawings, wherein:

FIG. 1 is a vertical partial sectional view through an embodiment of the invention along the line I—I of FIG. 2;

FIG. 2 is a plan view of the arrangement of FIG. 1;

FIG. 3 is a sectional view through another embodiment of the invention with an extended bearing tube;

FIG. 4 is a sectional view through a further embodiment of the invention;

FIG. 5 is a section through a disk storage drive motor, less the hub, according to the invention along line V—V of FIG. 6;

FIG. 6 is a section along line VI—VI of FIG. 5 and illustrating a rotational position sensor device located outside the sealed internal space of the motor;

FIG. 7 is a section similar to FIG. 6 of a modified embodiment of the invention;

FIG. 8 is a section similar to FIG. 6 of another modified embodiment of the invention;

FIG. 9 is a section similar to FIG. 6 of yet another modified embodiment of the invention;

FIG. 10 is a section similar to FIG. 6 of yet another embodiment of the invention;

FIG. 11 is a section through a disk storage drive according to the invention illustrating a rotational position sensor device located inside the sealed internal space of the motor with leads brought out through bearing support ring;

FIG. 12 is a partial section similar to but yet a variant of FIG. 7 of yet another embodiment of the invention having the rotational position sensor device located outside the sealed internal space of the motor;

FIG. 13 is a section illustrating a further variant of the embodiment shown in FIG. 6; and

FIG. 14 is a section illustrating yet another variant of the embodiment shown in FIG. 6.

DETAILED DESCRIPTION OF THE PREFERRED EMBODIMENTS

The disk storage drive illustrated in FIG. 1, having an extremely shallow construction, has a brushless direct current motor 45 having a rotor casing 47 fixed to and coaxial with a rotor shaft 46. A stator lamination 48, carrying a stator winding 49, is mounted on a bearing tube 50. The rotor shaft 46 is rotatably mounted within the bearing tube 50 by means of two bearings 52 and 53. These are kept axially spaced by a pair of retaining rings 54. A cup spring 55 is supported on the underside of the bearing 53 by a retaining ring 56 resting on the rotary shaft 46, so that the bearings 52, 53 are axially braced relative to one another. The bearings 52, 53 are

5

pressed into the bearing tube **50** at the time of assembly. Together with an assembly flange **24**, the bearing tube **50** forms a one-piece die casting.

The rotor casing **47** comprises a storage disk receiving part **25** and a shielding can **26**, which are joined together, for example, by riveting. The storage disk receiving part **25** is made from a non-ferromagnetic material, preferably light-weight metal. The rotor shaft **46** is pressed into a central opening of the storage disk receiving part **25**. As an alternative, the shaft can be cast into the receiving part.

The shielding can **26** is made from a ferromagnetic material and can in particular be constructed as a soft iron deep-drawn part. A plurality of permanent magnetic segments or a one-part permanent magnet **69** are fixed to the inner face of shielding can **26** radially facing the stator lamination **48**. The permanent magnet **69** preferably comprises a mixture of hard ferrite, for example, barium ferrite, and an elastic material. Thus, it is a so-called rubber magnet. The latter is trapezoidally or approximately trapezoidally radially magnetized via the pole pitch in a motor construction having a relatively small pole clearance. At the same time, the shielding can **26** forms the magnetic return path for magnet **69**. The shielding can **26** surrounds the magnetically active parts **48**, **49**, **69** of the driving motor **45** on the periphery thereof, as well as on one end thereof. The bottom **28** of shielding can **26** is adapted to the shape of the coil winding heads **27** of the stator winding **49** and contains a central opening **29**, whose edge is in the immediate radial vicinity of the circumferential surface of the bearing tube **50**. In this way, the shielding can effectively prevents the magnetic flux from straying towards the outside of the storage disk receiving part **25**.

The storage disk receiving part **25** has two stepped stages **74** and **75**, each of whose circumferential surfaces in the present embodiment carry a plurality of radially distributed and projecting bearing webs **79** or **80**. The outsides of bearing webs **79**, **80** are ground in a dimensionally true manner to accommodate the internal diameter of the hard storage disks to be placed on the receiving part **25**. The stepped stages **74**, **75** form shoulders **81**, **82** and are provided respectively with an annular recess **83** and **84** at the foot axially of bearing webs **79**, **80**. This structure ensures that storage disks mounted on the bearing webs **79**, **80**, and having either one of two opening diameters, will cleanly engage against either the shoulder **81** or **82**.

The assembly flange **24** is provided with a recess **85** in which is housed a printed circuit board **86**. This printed circuit board carries a rotary position detector, for example a Hall IC, as well as other circuit components for the control and regulation of the driving motor **45**. The Hall IC **63** extends up axially from the circuit board **86** to the immediate vicinity of the stator lamination **48**. The permanent magnet **69** projects axially over the stator lamination **48** in the direction of circuit board **86** until it partly overlaps the Hall IC **63**. In this way, the Hall IC **63** or, if desired, some other magnetic field-dependent semi-conductor component, determines the rotary position of the rotor of the driving motor **45**.

In the illustrated embodiment, the two bearings **52**, **53** are spaced approximately the same axial distance from the axial center of the permanent magnet **69** and the stator lamination **48**.

Disk storages are most usually operated in "clean chamber" environments to protect them against contaminants. By means of the assembly flange **24**, the storage drive is arranged on a partition (not shown) which separates the ultra-clean area for receiving the storage disks from the

6

remainder of the interior of the equipment. Dirt particles, grease vapors and the like from bearing **52** and parts of the driving motor **45** are prevented from passing into the storage disk receiving area by labyrinth seals **90** and **91**. The labyrinth seal **90** is formed in the end of the bearing tube **50** away from the assembly flange **24** that projects into an annular slot **87** on the inside of the storage disk receiving part **25**, accompanied by the formation of sealing gaps. Similarly, for forming the labyrinth seal **91**, the end of the shield can **26** projects into the annular slot **88** of the assembly flange **24**. The labyrinth seals **90**, **91** are preferably dimensioned in the manner described in the aforementioned U.S. Pat. No. 4,438,542.

The embodiment of FIG. 3 differs from the arrangement according to FIGS. 1 and 2 in that storage disks having the same opening diameters are placed on bearing webs **79** of a storage disk receiving part **89**, which surrounds the majority of the axial dimension of the magnetic shielding can **26**. In other words, the magnetically active parts **48**, **49**, **69** of the driving motor **45** are partially located within the central opening of the storage disk. A bush-like hub **98** is pressed or cast into the storage disk receiving part **89**. The rotor shaft **46** is then pressed into the hub **98**. The edge of the central opening **29** in the bottom **28** of the shielding can **26** extends up to the portion **99** of the receiving part **89** which received the hub **98**.

The bearing tube **50** projects in the axial direction on the side of the assembly flange **100** remote from the stator lamination **48**. As a result, a particularly large axial spacing between the two bearings **52**, **53** can be achieved. Axially, bearing **52** is in the vicinity of the axial center of the permanent magnet **69** and of the stator lamination **48**. The axial spacing between bearings **52** and **53** is equal to or larger than double the bearing external diameter. To prevent electrical charging of the rotor which in operation rotates at high speed and which would disturb the operational reliability of the disk storage device, the rotor shaft **46** is electrically conductively connected to the equipment chassis by means of a bearing ball **78** and a spring contact (not shown). The printed circuit board **101**, carrying the rotary position detector **63** and the other electronic components, is supported on the end of a spacer ring **102** facing an assembly flange **100** and is located between the flange and the stator lamination **48**. An annular slot **103** is formed in assembly flange **100** and is aligned with the annular circuit board **101**. The annular slot **103** provides space for receiving the wire ends and soldered connections projecting from the underside of the circuit board **101**.

FIG. 4 shows an embodiment in which a storage disk receiving part **105** is axially extended in order to be able to house a larger number of storage disks than in the arrangement of FIG. 3. The bearing tube **50** is correspondingly axially extended in order to be able to use the existing installation space with a view to a maximum axial spacing between the bearings **52** and **53**. The end of the bearing tube **50**, remote from an assembly flange **106**, embraces the hub **98** connecting the receiving part **105** and the shaft **46**, accompanied by the formation of a labyrinth seal **107**. The edge of the central opening **29** of shielding can **26** extends up close to the outside of the bearing tube **50**. The free end of the shielding can **26** engages a recess **108** in the assembly flange **106**. As a result, a further labyrinth seal **109** is formed. This embodiment otherwise corresponds to the structures already described herein.

In FIGS. 5 and 6, a brushless drive motor, designated as **110** has a stator **111** with a stator lamination stack **112**. The stator lamination stack **112** is arranged radially and sym-

metrically with respect to a central axis of rotation **113** and forms six stator poles **114A** to **114F** in an essentially T-shaped configuration as seen from above in accordance with FIG. 5, which poles are positioned at regular angular intervals of 60°. Instead of one lamination stack, for example, a sintered iron core can also be provided. Pole shoes **115A** to **115F**, together with a permanent magnetic rotor magnet **116** define an essentially cylindrical air gap **117**. The rotor magnet **116** is radially magnetized in four poles around its periphery as indicated in FIG. 5; that is to say, it has four sections **118A** to **118D**, and, on the internal side of the annular rotor magnet **116** toward the air gap **117** there are positioned, in alternating sequence, two magnetic north poles **119** and two magnetic south poles **120**. The poles **119**, **120** have, in the example depicted, a width of substantially 180°-el (corresponding to 90° mechanical). Thus, in the circumferential direction of the air gap **117**, an approximately rectangular or trapezoidal magnetization is obtained. The rotor magnet **116** is mounted, typically by bonding, in an outer rotor casing or bell **121** of soft magnetic material, preferably steel, which serves both as a magnetic return path and as a magnetic shield. The casing **121** and the magnet **116** together form an external rotor **122**. The rotor magnet **116** can include in particular a rubberized magnetic unit, or a plastic-bound magnet. Instead of a single-piece magnetic ring, curved magnetic segments can also be bonded or otherwise attached in the casing **121**. Magnetic materials made from synthetic bonding compounds, a mixture of hard ferrite and elastomers, ceramic magnetic materials or samarium cobalt are all particularly suitable as materials for the magnetic ring or segments.

The stator poles **114A** to **114F** abut a total of six stator slots **123A** to **123F**. A three-phase stator winding is inserted into these slots. Each of the three phases comprises two 1200°-el fractional pitch windings or coils **124**, **125**; **126**, **127**; and **128**, **129**, each of which is wound around one of the stator poles **114A** to **114F**. Both of the coils of each phase, which are connected in series, lie, as depicted in FIG. 5, in a diametrically opposed manner and are preferably bifilar wound. As can be seen from the schematic depiction in FIG. 5, any overlapping between the coils **124** to **129** is avoided. This arrangement allows the end turns of the windings **130** (FIG. 6) to be kept as short as possible. In this embodiment of the present invention, optimal filling of the stator slots **123A**–**123F** by the windings is achieved. Fasteners are generally not required to close the slot openings.

A hub **132**, not depicted in FIG. 5, is provided with a cylindrical disk mounting section **131** and preferably is made of a light metal, especially aluminum or an aluminum alloy. It is mounted on the outer rotor casing **121**. One or more storage disks **134**, preferably magnetic or optical fixed storage disks, are provided on the disk mounting section **131**, whereby the disk mounting section **131** extends through the conventional central aperture **135** of the storage disks. The lowest storage disk in FIG. 6 is located on a flange **133** of the hub **132** projecting radially outwardly. The data storage disks **134** can be maintained at an axial distance from each other by suitable spacers **136** and are secured to the hub **133** by means of a tightening device, not depicted, of a known type. In the embodiment shown in FIG. 6, the stator **111**, the stator stack **112** and the stator winding (coils **124** through **129**) as well as the rotor magnet **116** and the outer rotor casing **121** forming the iron shield, are all completely encompassed within the space occupied by the storage disk stage **131** on the hub **132**.

In a central aperture **137** of a frontal wall **138** of the hub **132**, which is relatively heavy for reasons of stability, are a

ball bearing **139** and a magnetic fluid seal **140** on the side of the support which is axially oriented away from the drive motor **110**. The seal **140** consists of two annular pole pieces **141**, **142**, a permanent magnet ring **143** located between both these pole pieces, and a magnetic fluid (not shown), which is inserted into an annular gap **144** between the magnetic ring **143** and a stationary shaft **145**. Seals of this type are known under the designation of "Ferfluidic Seal". An internal space **146** is located within the motor and is sealed on the side of the space oriented away from the frontal wall **138** by means of a motor cover **147**, which is inserted into the outer rotor casing **121** and the hub **132**, by means, for example, of adhesion. The internal space **146** includes the internal parts such as the stator **111** and permanent magnet **116** as well as bearings **139** and **149**. The motor cover **147** abuts with its cylindrical outer edge **247** the lower edge of the rotor casing **121**. This allows a particularly easy assembling of the cover **147** within the hub **132**. For sealing purposes, adhesive material **190** is placed in a circumferential groove **191** between the cover **147** and the hub **132**.

The motor cover **147** is supported on the shaft **145** by means of an additional ball bearing **149**. On the side of the ball bearing **149** away from the drive motor **110**, there is a magnetic fluid seal **150**, which has a construction corresponding to the seal **140**. The seals **140**, **150** ensure an effective sealing of the motor internal space **146**, including the bearings **139**, **149**, relative to a clean chamber **148** which accommodates the storage disks **134**.

The motor cover **147** is provided on the frontal side facing away from the drive motor **110** with an annular groove **151** receiving a control magnet ring **152**. The control magnet ring **152** has four sections of alternating circumferential magnetization corresponding to the rotor magnets **116**, which run in sequence in the circumferential direction and extend over 90°, so that alternating north and south poles, aligned with poles **119**, **120** in the circumferential direction, are provided on the bottom side of the control magnetic ring **152**.

A stationary flange **154** is disposed on the lower end of the shaft **145** in FIG. 6. The flange **154** is provided with threaded bores **192** for receiving fastening screws by which the disk storage drive may be connected to the disk drive frame, for example, over a wall delimiting the clean chamber **148**, or the like. The flange **154** supports a printed circuit board **155** on its frontal side relative to the motor cover **147**. Three rotational position sensors **156**, **157**, **158** are mounted on the printed circuit board **155**. In the embodiment shown, these magnetic field sensors may be Hall generators, Hall-IC's, magnetically controlled photocells, magnetic diodes, or the like, which interact with the control magnet ring **152**. The rotational position sensors **156**, **157**, **158** are suitably positioned in the circumferential direction with regard to the coils **124** to **129** so that the changes of the sensor switching conditions essentially coincide with the zero passages of current in the correspondingly positioned coils. This is attained, in accordance with the embodiment shown in FIG. 5, through the fact that the rotational position sensors are displaced by 15-mech with respect to the center of the apertures of the stator slots **123A** to **123F**. The rotational position sensors **156**, **157**, **158** may be supported by a common molded part **159** (see, for example, FIG. 14), preferably a plastic injection molded part. By using a common molded part **159** as the support for the rotational position sensors, their relative positioning with respect to one another can be maintained and reproduced in a particularly precise manner. The printed circuit board **155** is fixed

to a ring **193** and is tightly pulled against the flange **154** by screws **194** screwed into a ring **193**. An upwardly projecting outer rim **195** of flange **154** defines a hollow cylinder extending into an annular groove **196** provided in the bottom side of the flange **154**. Thereby a labyrinth gap **197** is formed which provides for additional sealing between the stationary flange **154** and the rotary motor cover **147**.

The connections of the rotational position sensors **156**, **157**, **158** and/or commutational electronics likewise positioned on the printed circuit board are conducted through one or more apertures **161** of the flange **154** which open into peripheral cutouts of the ring **193**. The connections of the stator winding coils **124** to **129** of the drive motor **110** are, on the other hand, conducted outwardly through bores **162**, **163** of the stationary shaft **145** out of the internal space of the disk storage drive, which is sealed off by means of the magnetic fluid seals **140**, **150**. The bores **162**, **163** can be dimensioned relatively narrowly, because they only have to accommodate the connections of the stator winding but not the connections of the rotational position sensors and/or the commutation electronics (not shown). Furthermore, the rotational position sensors **156** to **158** located outside of the sealed space **146** can be closely adjusted. An excessive weakening of the shaft **145** is thereby avoided.

In a further modified embodiment shown in FIG. 7, the rotor magnet **116** is located directly within the hub **132'**, which itself forms the magnetic shield, and is made of magnetically conductive material, preferably soft iron. The control magnet ring **152'** is located on the frontal side of the flange **133** facing away from the disk mounting section **131** of the hub **132'**, and alternately magnetized in the axial direction. In this embodiment, the rotational position sensors **156**, **157**, **158** are axially opposed to the control magnet ring **152'**. The magnetic fluid seal **150** ensures, together with a labyrinth seal **165** which replaces the magnetic fluid seal **140** of the embodiment in FIG. 6, the sealing of the internal space **146**, including the bearings **139**, **149** relative to the clean chamber **148**. The connections of the stator winding **166** are conducted through the bores **162**, **163** of the stationary shaft **145**. It should be understood that, even in this embodiment, the rotational position sensors **156**, **157**, **158**, can, if desired, be accommodated by a common support corresponding to the molded part **159** (FIG. 14), which support is attached to the printed circuit board **155**.

If it is desirable to manufacture the hub **132'** from magnetically non-conducting, or poorly conducting, materials, such as light metal or alloy, a separate iron shield can be provided. This can be seen in the embodiment in FIG. 8. There, the rotor magnet **116** is accommodated in an iron shielding ring **167**. The flange **169** supporting the storage disk **134** forms a part, separated from the hub **132''**, of the cover **170** which accommodates the ball bearing **149**. The hub **132''** and the cover **170** are closely connected with one another, so that the axial end section of the hub **132''**, which extends towards the cover **170**, engages in an annular groove **171** of the cover **170**.

In both embodiments of FIGS. 9 and 10, the control magnet ring **152'** is located in a groove **173** of a bearing support ring **174** on the end of the hub **132**. The hub **132** itself forms the magnetic shield, and is accordingly made from conductive material, particularly steel. The control magnet ring **152'** interacts, as shown in FIG. 7, with the rotational position sensors **156**, **157**, **158**, which are not shown in FIGS. 9 and 10. In the embodiment in FIG. 9, the internal space **146** is sealed off by means of the magnetic fluid seals **140**, **150**, but in the embodiment in FIG. 10, labyrinth seals **175** are provided in their place. The embodi-

ment of FIG. 10 further differs from that of FIG. 9 by the stationary shaft **145'** in the area where it supports the stator lamination stack **112**, and the area directly adjoining the same axially, being axially thickened so that the shaft **145** forms shoulders **176**, on which the ball bearings **139**, **149** are supported.

In the embodiments shown in FIGS. 8, 9, and 10, the connections of the stator winding are, in a manner preferably corresponding to the embodiments shown in FIGS. 6 and 7, brought out externally through recesses of the shafts **145** and **145'**.

FIG. 11 depicts an embodiment similar to that of FIG. 11 of copending U.S. Ser. No. 733,231, in which a soft magnetic yoke ring **167** is inserted in the hub **132**, the latter forming a disk mounting section **132** and preferably being made of light metal. Both the rotor magnet **116** and the control magnet **152'** are accommodated in the inner circumference of the yoke ring **167**. In this embodiment, the printed circuit board **155** together with the rotational position sensors **156**, **157**, **158** are located within the space **146** sealed by the magnetic fluid seals **140**, **150**. The circuit board **155** may be suspended from the stator lamination stack **112** by supports **178**. A bearing support ring **180** is provided for bringing outwardly the connections **180'** of the stator winding as well as the connections **180''** of the rotational position sensors **156**, **157**, **158** and/or of the electronic commutating means which likewise may be mounted on the printed circuit board **155**. The support ring **180** is made of the soft magnetic material, preferably ferromagnetic metal, and surrounds and is firmly fixed to shaft **145''**. The ball bearing **149** and the magnetic fluid seal **150** are disposed between the cover **147'** and the support ring **180**. At least one and preferably a plurality of axially extending apertures **181** are provided in the support ring **180** for receiving the aforementioned connections. After introduction of the connections therein, which together are indicated at **182**, the apertures **181** are sealed, e.g. by a potting compound or a mastic. This embodiment completely avoids bores in the stationary shaft **145''** and therefore the solid shaft retains its full strength. The provision of a bearing support ring **180** provides for a particularly small eccentricity or run-out of the rotating members. A soft magnetic shield ring **184** is provided on the inside of the frontal wall **183** of the hub **132**.

The embodiment of FIG. 12 corresponds to that of FIG. 7 with the exception that a connection **166** of the stator winding extends through a bearing support ring **185** rather than through the bores in the stationary shaft **145**. The ring **185** surrounds the lower portion of the shaft **145**. The ball bearing **149** and magnetic fluid seal **150** are disposed in the annular space between the support ring **185** and the ferromagnetic ring **153**, which is inserted into hub **132'**.

In an embodiment where the rotary position sensors are located externally, the winding leads can also be brought out through an inner bearing support ring encompassing the bearing **149**, corresponding to the support ring **180** in FIG. 11. Furthermore, in an embodiment provided with an inboard rotary position sensing arrangement similar to that shown in FIG. 11, a bearing support ring **185** according to FIG. 12 mounted on the stationary shaft **145** and supporting the ball bearing **149** on the inside can be used to bring the connections out to the exterior.

The metal support ring **185** according to FIG. 12 ensures that the rotating parts will display particularly limited runout. The magnetic field of the magnetic liquid seal **150** can be contained in either the ferromagnetic support ring **185** or the ferromagnetic ring **153**.

11

Instead of providing the bearing support rings **180** or **185** with apertures through which the connections can be brought out, the connections can also be potted in the bearing support ring directly.

FIG. **13** shows an embodiment similar to that shown in FIG. **6**, of which it is only a further development in many respects.

A particular feature of this further embodiment is the provision of a flat air gap between rotational position indicator or magnetic control ring **152** and the rotational position sensor **156**. The printed circuit board **155** is firmly fastened to a stationary flange part **154** with the screw **194**. The outside edge of this flange **154** engages in a disk-shaped ring member **147"**, which may be the motor cover **147** (FIG. **6**) in an axial direction like a hollow cylinder, so as to provide a labyrinth gap **197** acting as an additional seal between the stationary flange **154** and the disk-shaped ring member **147"**. The lower edge of the soft iron outer rotor casing **121** bears on the rotating ring member **147"** whose cylindrical outer edge **244** is more easily inserted in the hub body **132** than the arrangement shown in FIG. **6**. A mastic **190** is used as the sealant in a peripheral groove between the ring member **147"** and the hub **132**.

From the user's point of view, the entire motor assembly is fastened by use of appropriate fasteners in the hole **192**. The connecting leads from the printed circuit board **155** to the rotational position sensor **156** are brought out through the passage or bore **161** shown with the disked lines, which extends outwardly from an oblique channel **161'** until it terminates in the peripheral apertures in the ring **193** which is brought to bear on the flange **154** by a screw **194**.

The ring member **147"** corresponds to the elements described in the various embodiments and examples as the covers **170**, **147**, **147'** and the rings **53**, **74**. Preferably, therefore, only 2 parts are needed to completely enclose the inner space **146** of the motor other than the stationary shaft **145** and the bearings **139**, **149**; namely, the rotor casing **132** and the disk-shaped ring member **147"**.

FIG. **10** shows a ring **175**, somewhat L-shaped in section, which rotates together with the outer rotor of the hub, whereby the ring **175** encompasses an inner, essentially complementary mating part **165**, so that the longer leg of the outside part **175** is only separated from the stationary shaft by a narrow gap **275**. In combination with the inside mating part **165**, this arrangement provides an effective labyrinth seal. This is referenced item **175'** in the lower part of FIG. **10**, where the basic L-shaped section of the seal is indicated by a solid line and the complementary mating section is referenced **165'**. The effectiveness of the labyrinth seal can be enhanced if a projection **175"** on the part **175** is provided to project into a recess **165'"**, of the complementary part **165'**. The arrangement may be seen also in the upper part of the drawing. In this way, the need to use a substantially more costly magnetic liquid seal of the type shown in FIG. **9** as items **140** and **150**, can be avoided. Of course, the incorporation of a labyrinth seal of this type provided with these two interlocking L-shaped leg profiles has an independent significance in connection with data storage disk drives and is not required by the other design features of this motor. As already mentioned, the additional recesses **165'"** provide further enhancement of the sealing action of the labyrinth seals. Elements of this type are manufactured as large volume extrusions or deep drawn die pressings and their cost hardly bears comparison with that of magnetic liquid seals. They provide a good low-cost means of the sealing of the clean chamber, because they can be installed at the points of

12

access to the space inside the motor, either in an axial direction or otherwise.

FIG. **14** is a variant of FIG. **6** primarily in the provision of the groove **151** in the motor cover **147** which receives the magnet ring **152** and allows the rotational position sensor **156** to face the magnet ring across a cylindrical air gap vis-a-vis a planar gap in the embodiment shown in FIG. **6**.

This invention is not restricted to the use of magnetic field-sensitive rotational position sensors. It can also be used, for example, with optical sensors.

Although the invention has been described in connection with a preferred embodiment and certain alternatives, other alternatives, modifications, and variations may be apparent to those skilled in the art in view of the foregoing description. Accordingly, it is intended to embrace all such alternatives, modifications, and variations as fall within the spirit and scope of the appended claims.

What is claimed is:

[1. A disk memory drive comprising: a brushless drive motor having an internal space defined therein and a stator including winding means defining magnetically active parts of the drive motor and having a given axial extension, the motor having an outer rotor with an inner circumference, an outer circumference and an open end coaxially encircling the stator and a substantially cylindrical air gap defined between the stator and the rotor, the rotor including a separate non ferromagnetic hub and a soft iron ring element interiorly of said hub and radially located means forming a permanent magnet interiorly of said ring having a predetermined axial extension fixedly connected therewith for magnetic interaction with said winding means; a disk mounting section provided on the outside of said hub for accommodating at least one storage disk for location in a clean chamber surrounding said rotor when the drive motor is mounted for operation, the disk mounting section on the hub along its axial length being adapted to extend through a central aperture of the storage disk, the winding means and the magnet means interacting therewith being disposed for at least half of the axial extension thereof within a space surrounded by the disk mounting section of the hub; and first and second axially separated bearing means having inner and outer races on a shaft rotatably mounting the rotor and the hub on the shaft, the motor also including rotating means interacting with stationary means for determining the rotational position of the rotor, the internal space of said motor, which includes the internal portions thereof with the bearing means, being sealed off against the clean chamber when the drive motor is mounted for operation, a disk-shaped ring member being located with precision at the open end of the rotor between the inner circumference of the rotor and the outer race of one of the axially separated bearing means, and means stationary containing leads establishing electrical connection between the internal space and the outside of the motor.]

[2. A disk memory drive according to claim 1, wherein said rotating means interacting with said stationary means comprises rotational position indicator means which includes permanent magnet poles disposed on the disk-shaped ring member for rotation therewith and wherein the rotational position sensor means is sensitive to magnetic fields and interacts with the permanent magnet poles.]

[3. A disk memory drive according to claim 2, wherein the shaft is a stationary shaft.]

[4. A disk memory drive according to claim 3 wherein the rotational position sensor means is mounted on a printed circuit board opposite the disk-shaped member ring.]

[5. A disk memory drive according to claim 4, further including electronic commutation devices for the electro-

13

magnetization of the stator also being mounted on the printed circuit board.]

[6. A disk memory drive according to claim 4, wherein the printed circuit board is supported on a flange fixed to the stationary shaft.]

[7. A disk memory drive according to claim 3, further including a magnetic shield means at least circumferentially surrounding the stator for shielding a clean chamber containing the disk from the magnetic flux of the stator and wherein the stationary shaft is of constant diameter and the outer rotor includes a bell-shaped housing with a substantially closed end and a substantially open end, the stator together with the magnetic shield being firmly mounted to the stationary shaft, the inner race of each bearing being firmly mounted on the stationary shaft on either axial side of the stator, the upper bearing being positioned inwardly adjacent of the closed end of the bell-shaped outer rotor, and the lower bearing being positioned adjacent the open end of the bell-shaped outer rotor.]

[8. A disk memory drive according to claim 2, wherein the internal space of the motor is sealed by means of a cover located at the open end of the outer rotor, the cover also serving as a bearing mounting flange, and the rotational position indicator means being mounted on the outside of the motor cover with respect to the sealed inner space of the motor.]

[9. A disk memory drive according to claim 2, wherein the outer rotor includes an outer rotor casing of ferromagnetic material, the outer rotor serving also as the hub, the rotational position indicator being mounted on a lower part of the hub outside the sealed inner space of the motor.]

[10. A disk memory drive according to claim 2, wherein further comprising a bearing mounting flange having projections in the actual axial direction that project into the disk-shaped ring member, and a labyrinth seal located between the projections and the ring member formed by a combination of cylindrical and radially flat gaps having only dimensions of normal clearances between moving parts.]

[11. A disk memory drive according to claim 10, wherein the projections on the bearing mounting flange are rectangular in section and extend axially.]

[12. A disk memory drive according to claim 10, wherein the ring member on which part of the bearing race is mounted is substantially flush in the axial direction with the mounting flange, the ring member being inserted in the outer rotor casing that forms the hub.]

[13. A disk memory drive having a brushless drive motor, comprising a stator having a predetermined axial extension, a coaxially positioned outer rotor encircling the stator and defining therebetween a substantially cylindrical air gap, the rotor having an inner circumference and an outer circumference and a predetermined axial extension, a cylindrically shaped permanent magnet having a predetermined axial extension disposed adjacent the air gap on the inner circumference of the rotor to rotate therewith and magnetically interact with the stator, a ferromagnetic hub on the outer circumference of the rotor firmly fixed to the motor magnet, the hub radially surrounding the predetermined axial extension of said permanent magnet and being provided on its outer circumference with a disk mounting section which can extend through the central opening in a storage disk to mount at least one storage disk thereon, a shaft having first and second axially separated bearing means mounted thereon rotatably mounting the rotor with hub on the shaft, and seals located axially outside of the axial extension of the first and second bearing means for sealing the space therebetween.]

14

[14. A disk memory drive according to claim 13, wherein the shaft is a stationary shaft.]

[15. A disk memory drive according to claim 14, wherein the seals are magnetic liquid seals.]

[16. A disk memory drive according to claim 14, wherein the seals are labyrinth seals.]

[17. A disk memory drive according to claim 14, wherein the stationary shaft projects axially externally of the upper and lower seals.]

[18. A disk memory drive according to claim 14, wherein the labyrinth seal is formed of a member having a substantially L-shaped cross section, being mounted on and extending radially from the stationary shaft, the short leg of the L-shaped member extending axially outwardly.]

[19. A disk memory drive according to claim 16, further including a ring member of L-shaped cross section being provided on the rotor and being opposite and complementary to the stationary mounted L-shaped member, the longer leg of the L-shaped member on the rotor extending inwardly toward the stationary shaft with only a clearance dimension separating the two parts.]

[20. A disk memory drive according to claim 16, wherein the stationary L-shaped member lies inboard axially and is substantially encompassed by the rotating L-shaped ring, a flat radial labyrinth gap being formed radially between the respective short legs of the L-shaped members.]

21. *A disk storage device, comprising in combination:*

a housing that encloses a clean chamber for providing an environment that is maintained substantially contaminant free;

at least one hard magnetic storage disk provided in said clean chamber for rotation about an axis, said at least one disk having a central opening;

at least one data head that is provided in said clean chamber and that allows information to be stored on and read from said at least one hard magnetic storage disk;

a brushless DC motor including a stator concentric with said axis, a stator winding disposed on said stator, a shaft aligned on said axis, at least one bearing affixed to said shaft, and a rotor that is mounted for rotation about said axis relative to said stator, said rotor having a permanent magnetic ring mounted on a magnetically conductive member in a manner such that a generally cylindrical air gap is defined between adjacent surfaces of said stator and said permanent magnetic ring, said brushless DC motor further including a hub member having a generally cylindrical portion that extends through the central opening of said at least one disk to mount said at least one disk for rotation about said axis in said clean chamber;

wherein said brushless DC motor is mounted in said clean chamber so that at least a portion of said hub member is contiguous with at least a portion of said rotor and so that the space of said clean chamber that is occupied by said at least one hard magnetic storage disk is axially separated from the space of said clean chamber that is occupied by said permanent magnetic ring in a direction along side said axis; and

wherein said hub member includes a disk support flange that is generally perpendicular to said axis and that is contiguous with the generally cylindrical portion of said hub member, said hub member further having a generally circular groove formed thereon at a location closely spaced adjacent to the portion of said hub member where said generally cylindrical portion of

15

said hub member and said disk support flange contact each other, said at least one hard magnetic storage disk being mounted on said disk support flange.

22. *The disk storage device of claim 21 wherein the outside diameter of the generally cylindrical portion of said hub member is smaller than at least one of the distances specified in a group consisting of: the outer diameter of said permanent magnetic ring, the inner diameter of said magnetically conductive member, and the outer diameter of said magnetically conductive member.*

23. *The disk storage device of claim 21 wherein said magnetically conductive member provides at least a portion of a magnetic return path for said permanent magnetic ring.*

24. *The disk storage device of claim 21 wherein said shaft is rotatable about said axis.*

25. *The disk storage device of claim 21 wherein said permanent magnetic ring is formed from a generally radially oriented permanent magnetic material.*

26. *The disk storage device of claim 25 wherein said permanent magnetic ring is radially magnetized to form a plurality of permanent magnets of alternating polarity, the radial magnetization of said permanent magnets varies in a substantially trapezoidal manner in a circumferential direction, and a pole gap is defined between the magnetic poles in each of said permanent magnets such that the circumferential extent of each pole gap is small compared to the circumferential extent of the magnetic poles in the pair of permanent magnets adjacent thereto.*

27. *The disk storage device of claim 25 wherein said permanent magnetic material comprises a mixture of ferrite and an elastic material.*

28. *The disk storage device of claim 21 said hub member comprises a generally non-magnetically conductive material.*

29. *The disk storage device of claim 28 wherein said generally non-magnetically conductive material comprises a light metal.*

30. *The disk storage device of claim 21 wherein said generally cylindrical groove is formed in said disk support flange.*

31. *The disk storage device of claim 21 wherein said rotor comprises an external rotor.*

32. *The disk storage device of claim 21 wherein said permanent magnetic ring coaxially surrounds the portion of said stator that forms said generally cylindrical air gap.*

33. *A disk storage device, comprising in combination:*

a housing that encloses a clean chamber for providing an environment that is maintained substantially contaminant free;

at least one hard magnetic storage disk provided in said clean chamber for rotation about an axis, said at least one disk having a central opening;

at least one data head that is provided in said clean chamber and that allows information to be stored on and read from said at least one hard magnetic storage disk;

a brushless DC motor including a stator concentric with said axis, a stator winding disposed on said stator, a shaft aligned on said axis, at least one bearing affixed to said shaft, and a rotor that is mounted for rotation about said axis relative to said stator, said rotor having a permanent magnetic ring mounted on a magnetically

16

conductive member in a manner such that a generally cylindrical air gap is defined between adjacent surfaces of said stator and said permanent magnetic ring, said brushless DC motor further including a hub member having a generally cylindrical portion that extends through the central opening of said at least one disk to mount said at least one disk for rotation about said axis in said clean chamber;

wherein said brushless DC motor is mounted in said clean chamber so that at least a portion of said hub member is contiguous with at least a portion of said rotor and so that the outside diameter of the generally cylindrical portion of said hub member is smaller than at least one of the distances specified in a group consisting of: the outer diameter of said permanent magnetic ring, the inner diameter of said magnetically conductive member, and the outer diameter of said magnetically conductive member; and

wherein said hub member includes a disk support flange that is generally perpendicular to said axis and that is contiguous with the generally cylindrical portion of said hub member, said hub member further having a generally circular groove formed thereon at a location closely spaced adjacent to the portion of said hub member where said generally cylindrical portion of said hub member and said disk support flange contact each other, said at least one hard magnetic storage disk being mounted on said disk support flange.

34. *The disk storage device of claim 33 wherein said magnetically conductive member provides at least a portion of a magnetic return path for said permanent magnetic ring.*

35. *The disk storage device of claim 33 wherein said shaft is rotatable about said axis.*

36. *The disk storage device of claim 33 wherein said permanent magnetic ring is formed from a generally radially oriented permanent magnetic material.*

37. *The disk storage device of claim 36 wherein said permanent magnetic ring is radially magnetized to form a plurality of permanent magnets of alternating polarity, the radial magnetization of said permanent magnets varies in a substantially trapezoidal manner in a circumferential extent of each pole gap is small compared to the circumferential extent of the magnetic poles in the pair of permanent magnets adjacent thereto.*

38. *The disk storage device of claim 36 wherein said permanent magnetic material comprises a mixture of ferrite and elastic material.*

39. *The disk storage device of claim 33 wherein said hub member comprises a generally non-magnetically conductive material.*

40. *The disk storage device of claim 39 wherein said generally non-magnetically conductive material comprises a light metal.*

41. *The disk storage device of claim 36 wherein said generally cylindrical groove is formed in said disk support flange.*

42. *The disk storage device of claim 36 wherein said rotor comprise an external rotor.*

43. *The disk storage device of claim 33 wherein said permanent magnetic ring coaxially surrounds the portion of said stator that forms said generally cylindrical air gap.*

* * * * *