



US00RE38746E

(19) **United States**
(12) **Reissued Patent**
Bruno

(10) **Patent Number: US RE38,746 E**
(45) **Date of Reissued Patent: Jun. 28, 2005**

(54) **ASHTRAY**
(75) **Inventor: Robert H. Bruno, Avon, CT (US)**
(73) **Assignee: The Rival Company, Kansas City, MO (US)**

3,952,753 A * 4/1976 Klingler 131/235.1
4,534,369 A * 8/1985 Jenkins 131/235.1
D303,298 S * 9/1989 Grant D27/135 X
4,926,888 A * 5/1990 Lee 131/231
5,259,400 A * 11/1993 Bruno et al. 131/231

* cited by examiner

(21) **Appl. No.: 29/049,017**
(22) **Filed: Nov. 1, 1995**

Primary Examiner—Holly Baynham
(74) *Attorney, Agent, or Firm*—Brinks Hofer Gilson & Lione; Francis E. Marino

Related U.S. Patent Documents

Reissue of:

(64) **Patent No.: Des. 345,437**
Issued: Mar. 22, 1994
Appl. No.: 07/900,248
Filed: Jun. 17, 1992

(51) **LOC (8) Cl. 27-03**
(52) **U.S. Cl. D27/105**
(58) **Field of Search D27/105, 135,**
D27/127; 131/235.1, 256, 231; D3/273,
294

(57) **CLAIM**

The ornamental design for an ashtray, as shown.

DESCRIPTION

FIG. 1 is the front elevation of the ashtray;
FIG. 2 is a left side elevation of the ashtray;
FIG. 3 is a right side elevation of the ashtray;
FIG. 4 is a top plan view the ashtray;
FIG. 5 is a bottom plan view of the ashtray;
FIG. 6 is a back elevation of the ashtray; and,
FIG. 7 is a three-quarter perspective view taken from the front right of the ashtray.

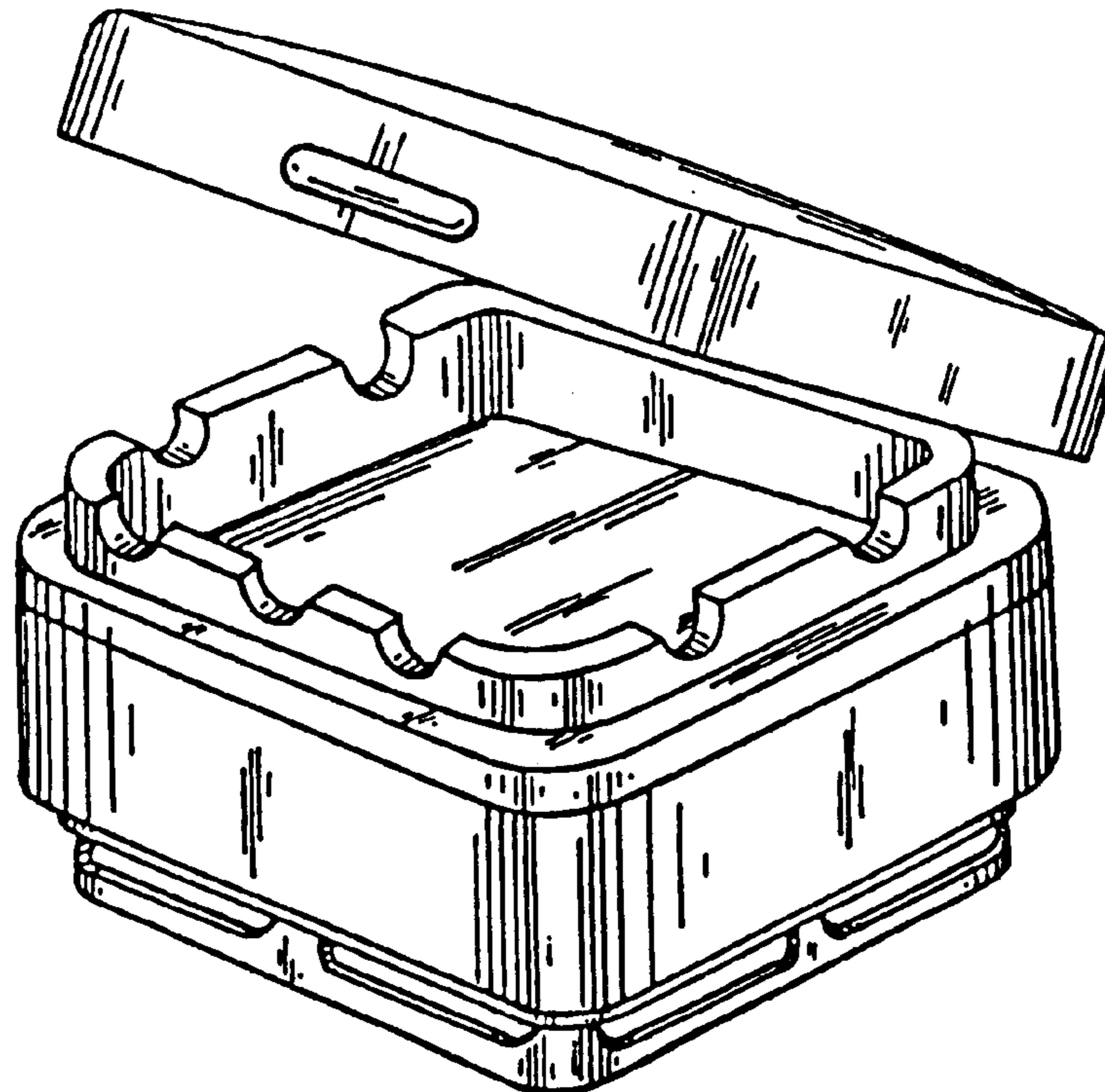
(56) **References Cited**

1 Claim, 2 Drawing Sheets

U.S. PATENT DOCUMENTS

D156,577 S * 12/1949 Strange D27/127
D157,884 S * 3/1950 McNair D27/135
2,504,597 A * 4/1950 Sewald, Jr. 131/235.1 X
D201,738 S * 7/1965 Karbo D27/135

Matter enclosed in heavy brackets [] appears in the original patent, but forms no part of this reissue; matter printed in italics indicates the additions made by reissue.



AMENDED

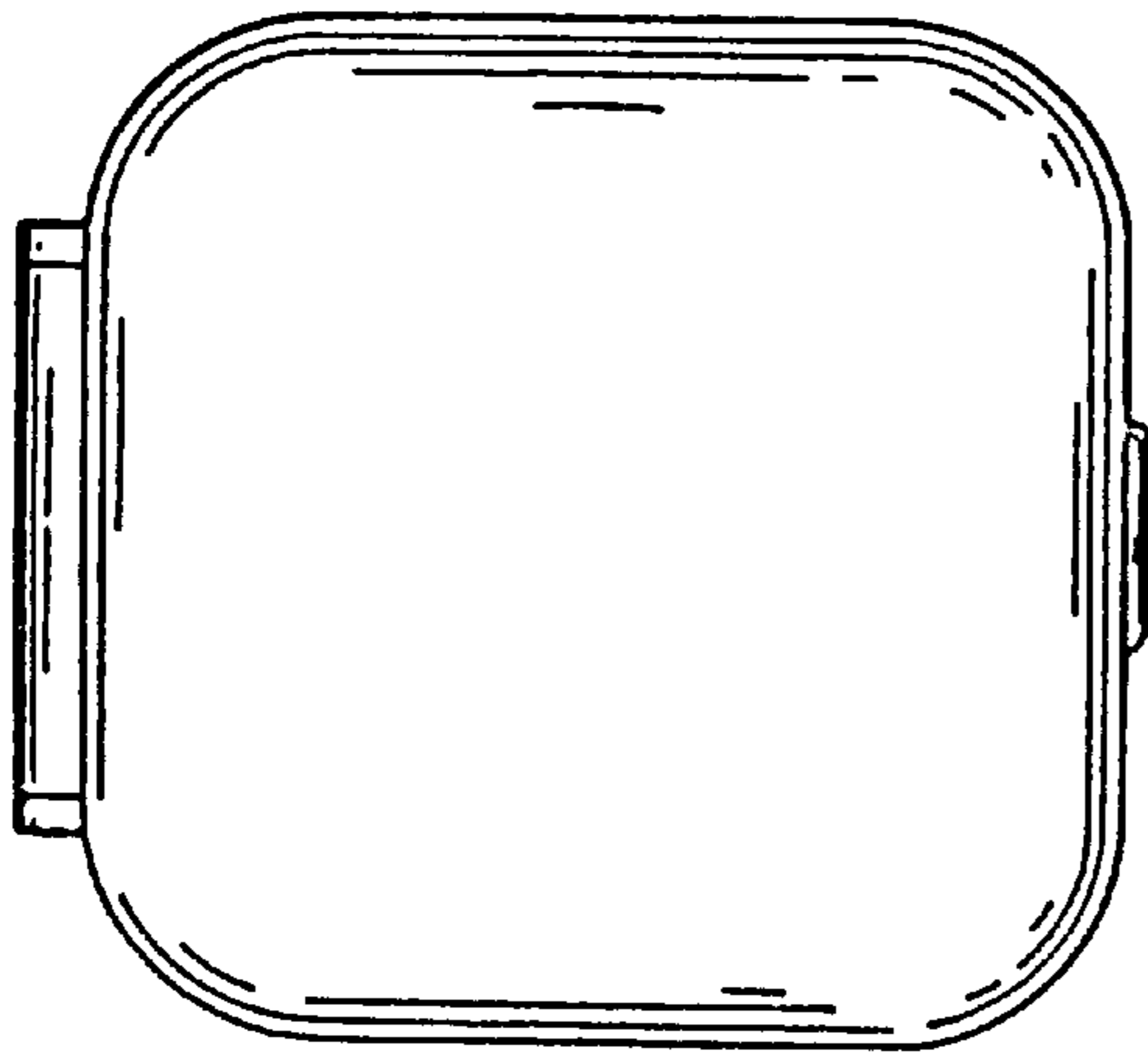


FIG. 4

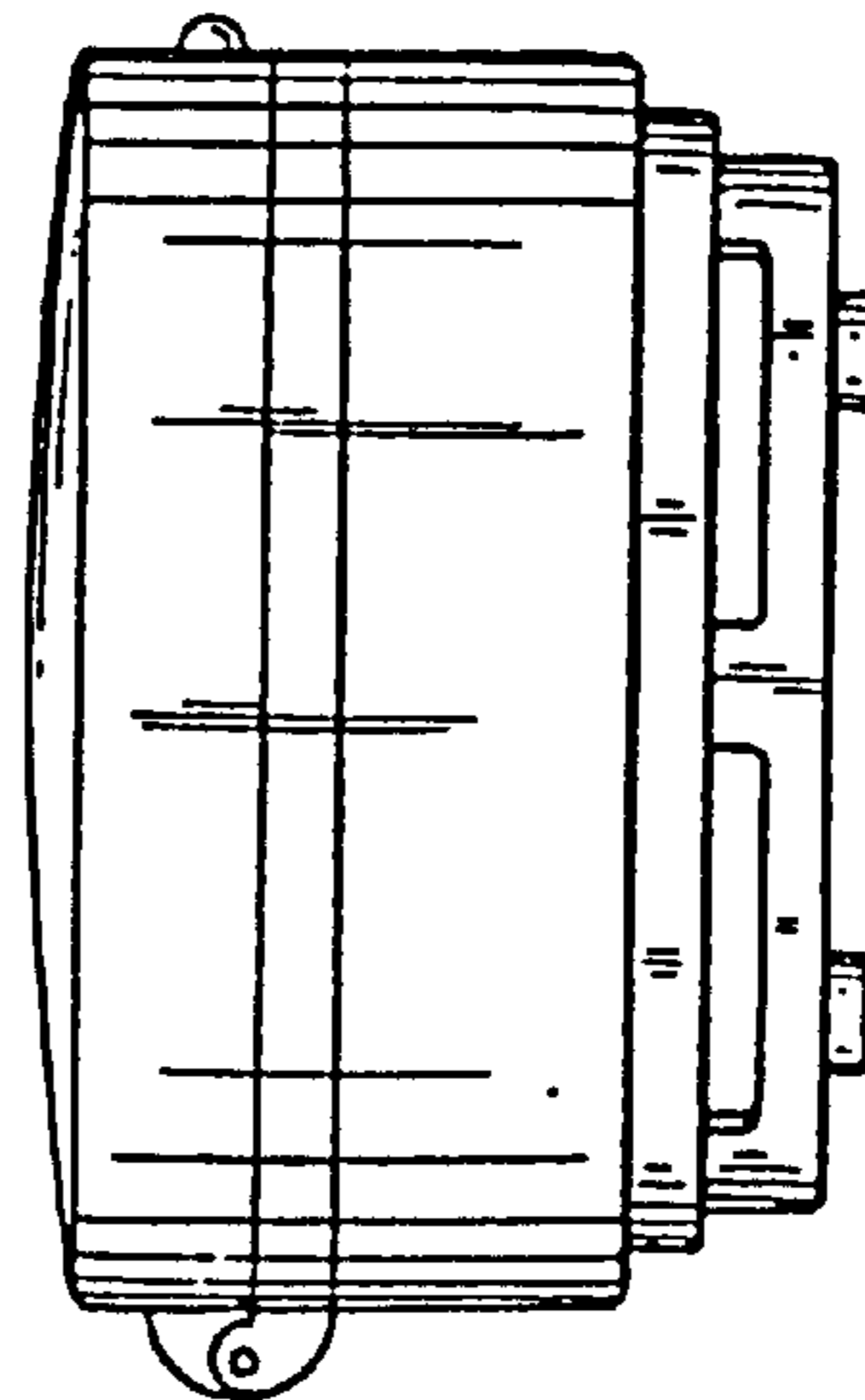


FIG. 2

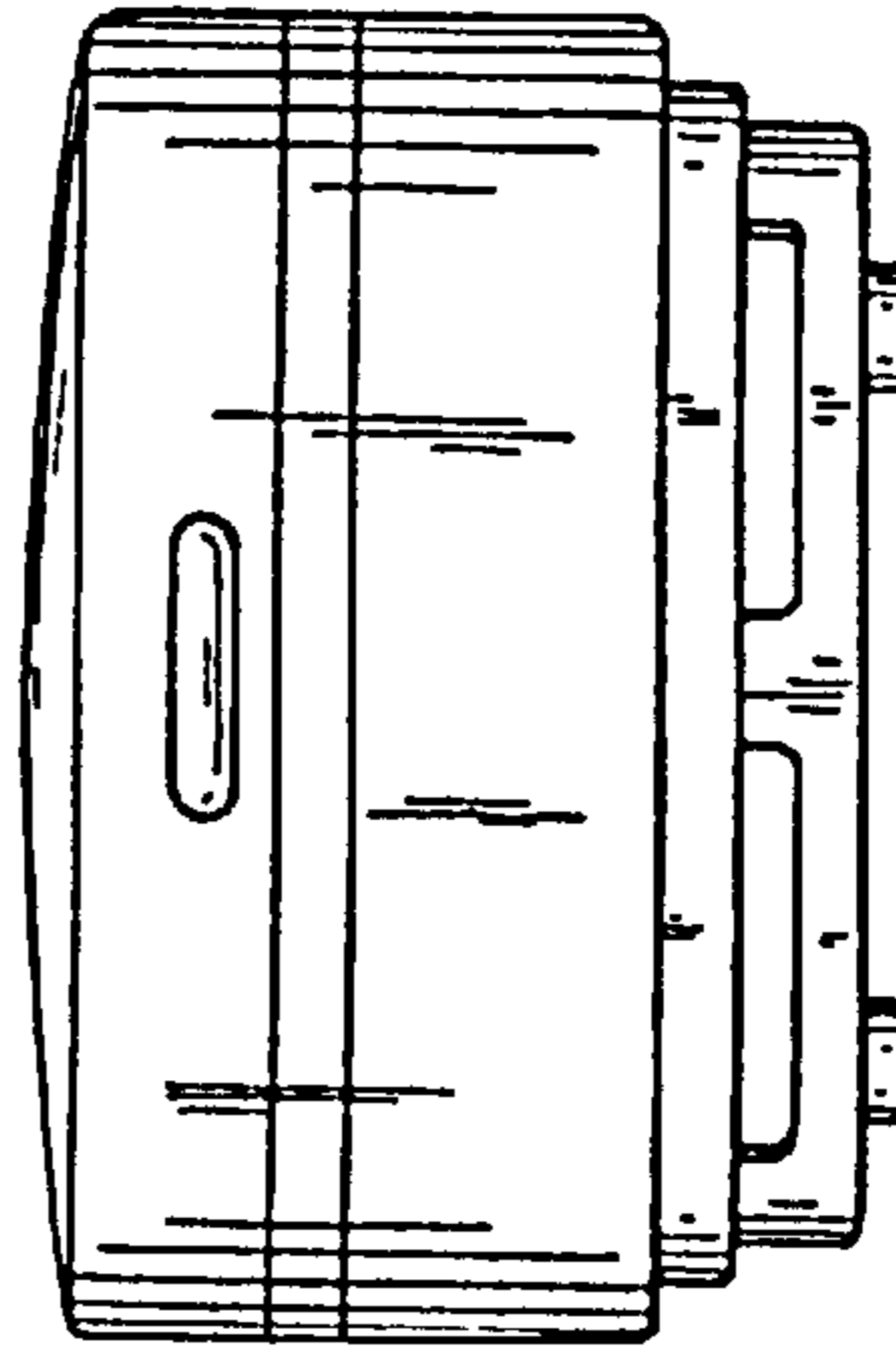


FIG. 1

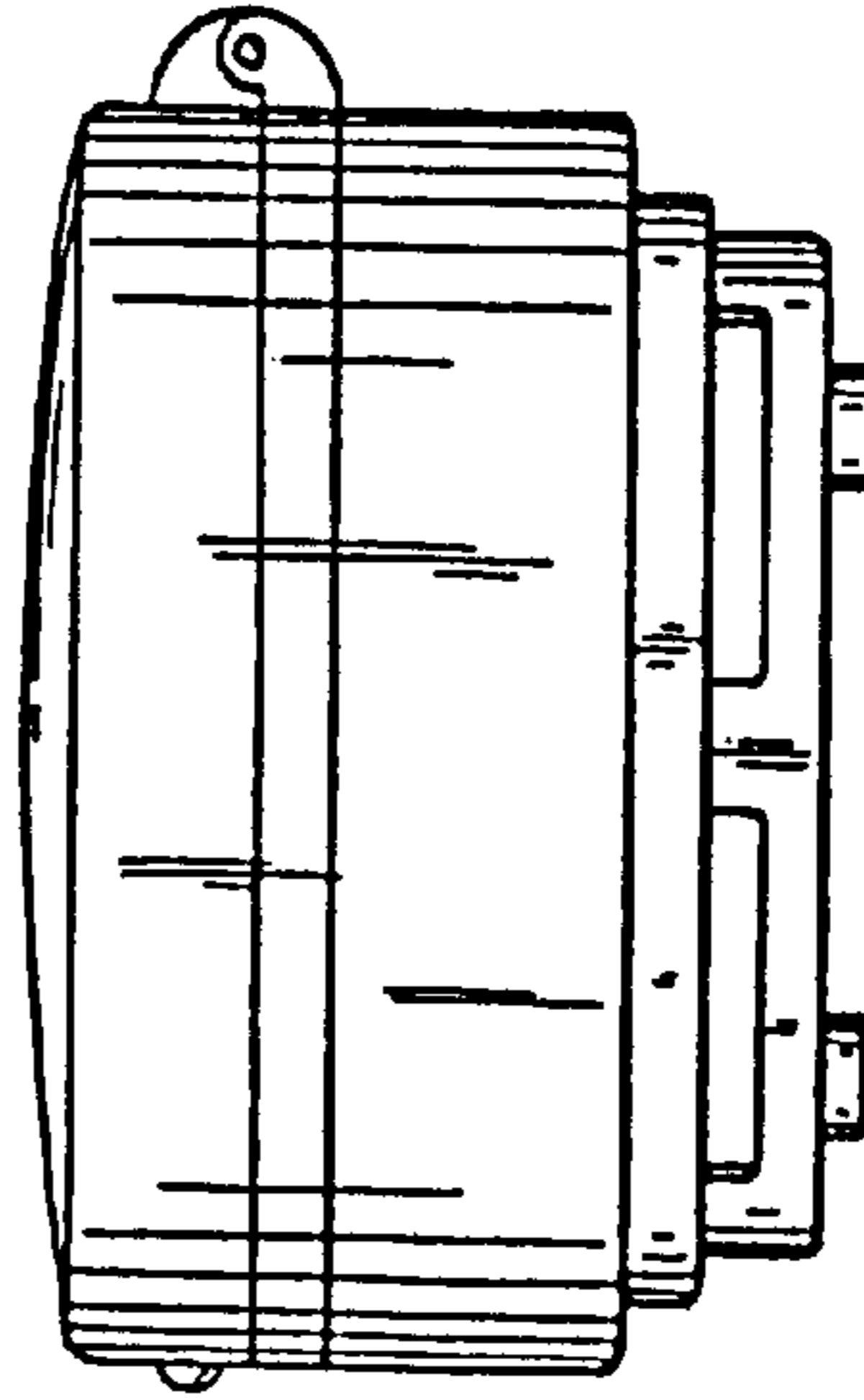


FIG. 3

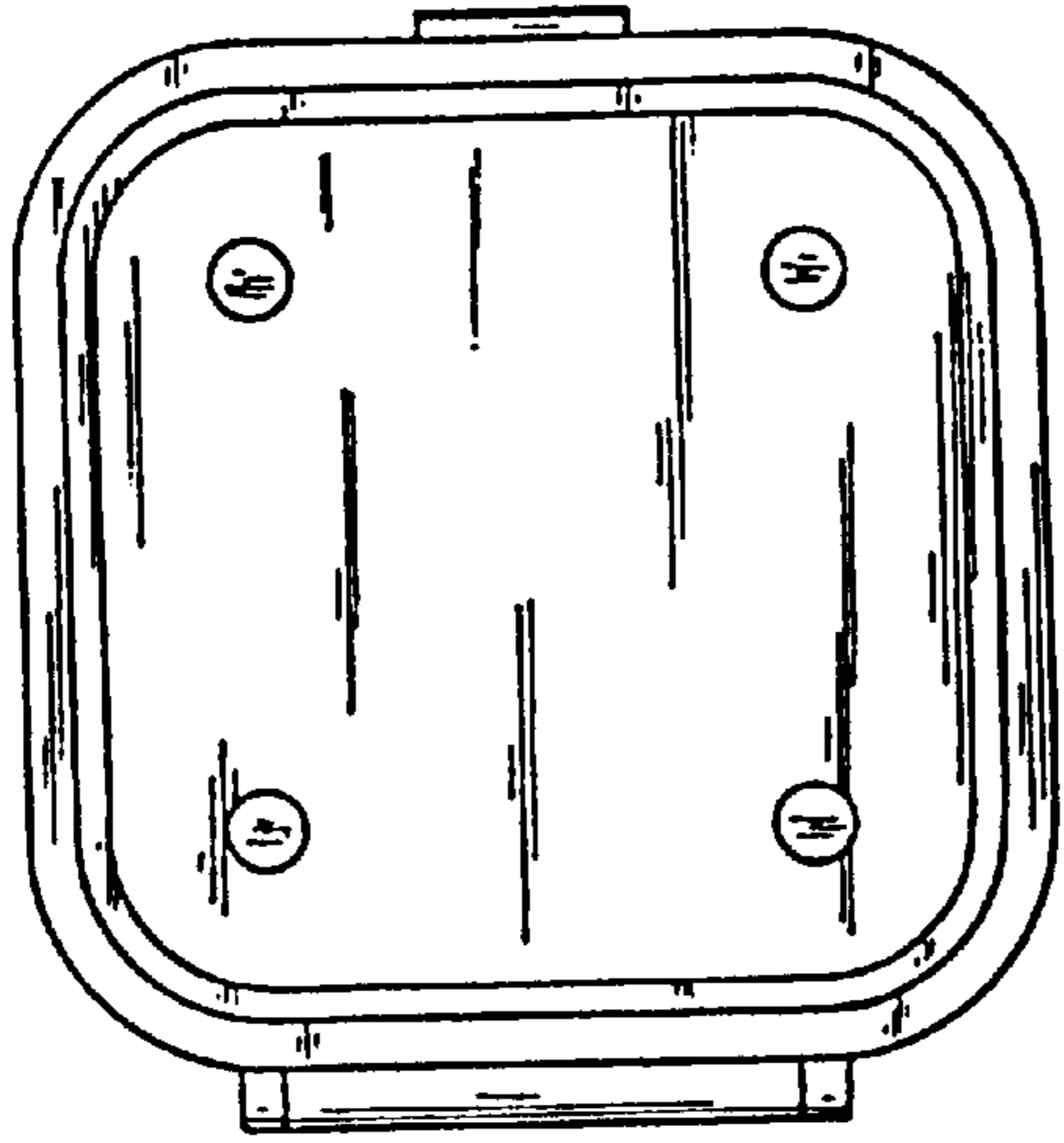


FIG. 5

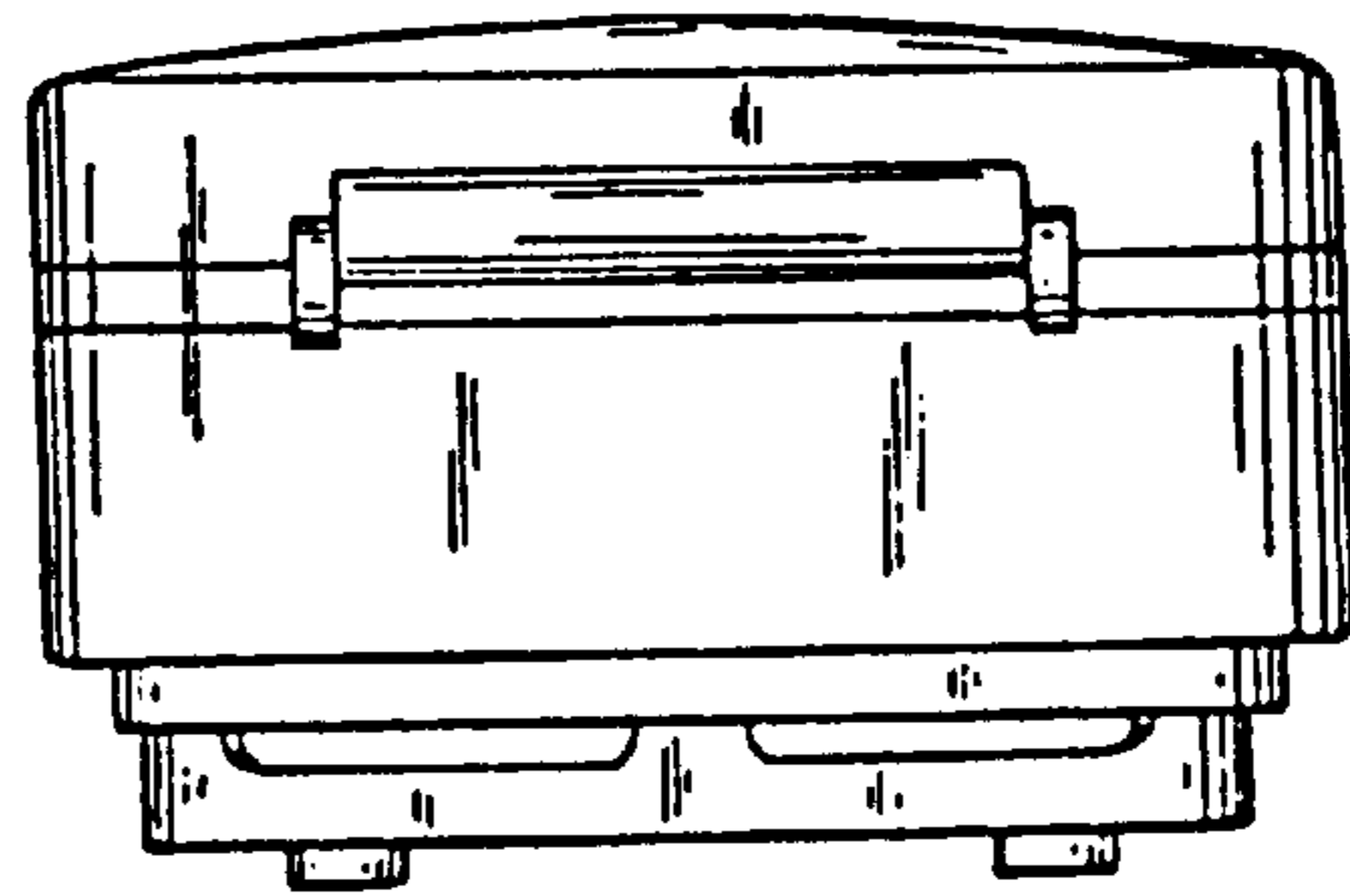


FIG. 6

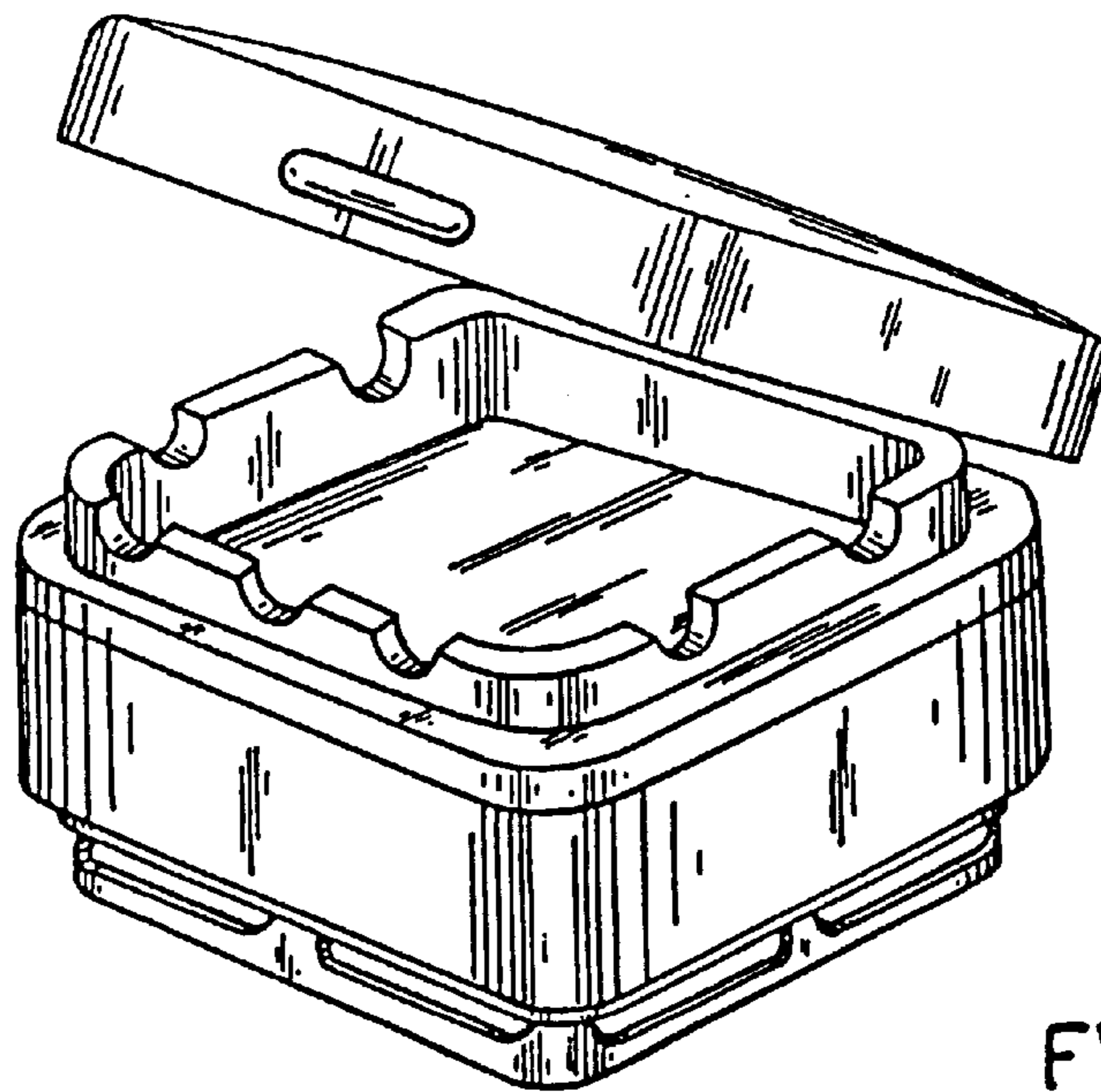


FIG. 7
AMENDED