



US00RE38737E

(19) **United States**
(12) **Reissued Patent**
Ban et al.

(10) **Patent Number: US RE38,737 E**
(45) **Date of Reissued Patent: May 24, 2005**

(54) **TONER SUPPLY CONTAINER DETACHABLY MOUNTABLE TO A MAIN ASSEMBLY OF AN ELECTROGRAPHIC IMAGE FORMING APPARATUS AND A SEALING MEMBER USABLE WITH THE TONER SUPPLY CONTAINER**

(75) Inventors: **Yutaka Ban**, Tokyo (JP); **Shinichi Onodera**, Tokyo (JP); **Kazuhiko Omata**, Satte (JP); **Kyota Miyazaki**, Tama (JP); **Ayumu Murakami**, Abiko (JP); **Katsuya Murakami**, Toride (JP)

(73) Assignee: **Canon Kabushiki Kaisha**, Tokyo (JP)

(21) Appl. No.: **10/262,058**

(22) Filed: **Oct. 2, 2002**

Related U.S. Patent Documents

Reissue of:

(64) Patent No.: **6,128,453**
Issued: **Oct. 3, 2000**
Appl. No.: **09/099,536**
Filed: **Jun. 18, 1998**

(30) **Foreign Application Priority Data**

Jun. 19, 1997 (JP) 9-163113
Jun. 16, 1998 (JP) 10-168368

(51) **Int. Cl.⁷** **G03G 15/08**
(52) **U.S. Cl.** **399/106; 399/263**
(58) **Field of Search** 399/103, 106, 399/263, 262, 119; 222/DIG. 1

(56) **References Cited**

U.S. PATENT DOCUMENTS

4,212,264 A * 7/1980 Knechtel et al. 222/DIG. 1
4,611,730 A * 9/1986 Ikesue et al. 222/DIG. 1
4,622,916 A * 11/1986 Tanaka et al.
4,878,603 A * 11/1989 Ikesue et al. 222/DIG. 1
5,128,724 A * 7/1992 Hayashi et al. 399/119
5,264,901 A * 11/1993 Rossiter 399/106
5,296,900 A 3/1994 Saijo et al.

5,307,129 A * 4/1994 Miura et al. 399/263
5,331,382 A * 7/1994 Miura et al. 399/263
5,398,849 A * 3/1995 Smith et al. 399/262
5,402,216 A * 3/1995 Komaki et al. 222/DIG. 1
5,424,816 A * 6/1995 Fox et al. 399/263
5,500,719 A * 3/1996 Ichikawa et al. 222/DIG. 1
5,548,384 A * 8/1996 Weed 399/106
5,579,101 A * 11/1996 Omata et al. 222/DIG. 1
6,169,864 B1 * 1/2001 Baxendell et al. 399/106

FOREIGN PATENT DOCUMENTS

EP 0708387 A2 * 4/1996
EP 0736818 A1 * 10/1996
EP 0740227 A1 * 10/1996
JP 61116372 A * 6/1986 G03G/15/08
JP 63-85660 9/1986
JP 64-23054 7/1987
JP 3-2882 5/1989
JP 6-348121 7/1993
JP 5-303276 11/1993
JP 07044000 A * 2/1995 G03G/15/08
JP 8-211719 2/1995
JP 07113796 A * 5/1995
JP 7-199617 8/1995
JP 8-185028 7/1996
JP 10-319696 5/1997

OTHER PUBLICATIONS

US 5,057,872, 10/1991, Saijo et al. (withdrawn)

* cited by examiner

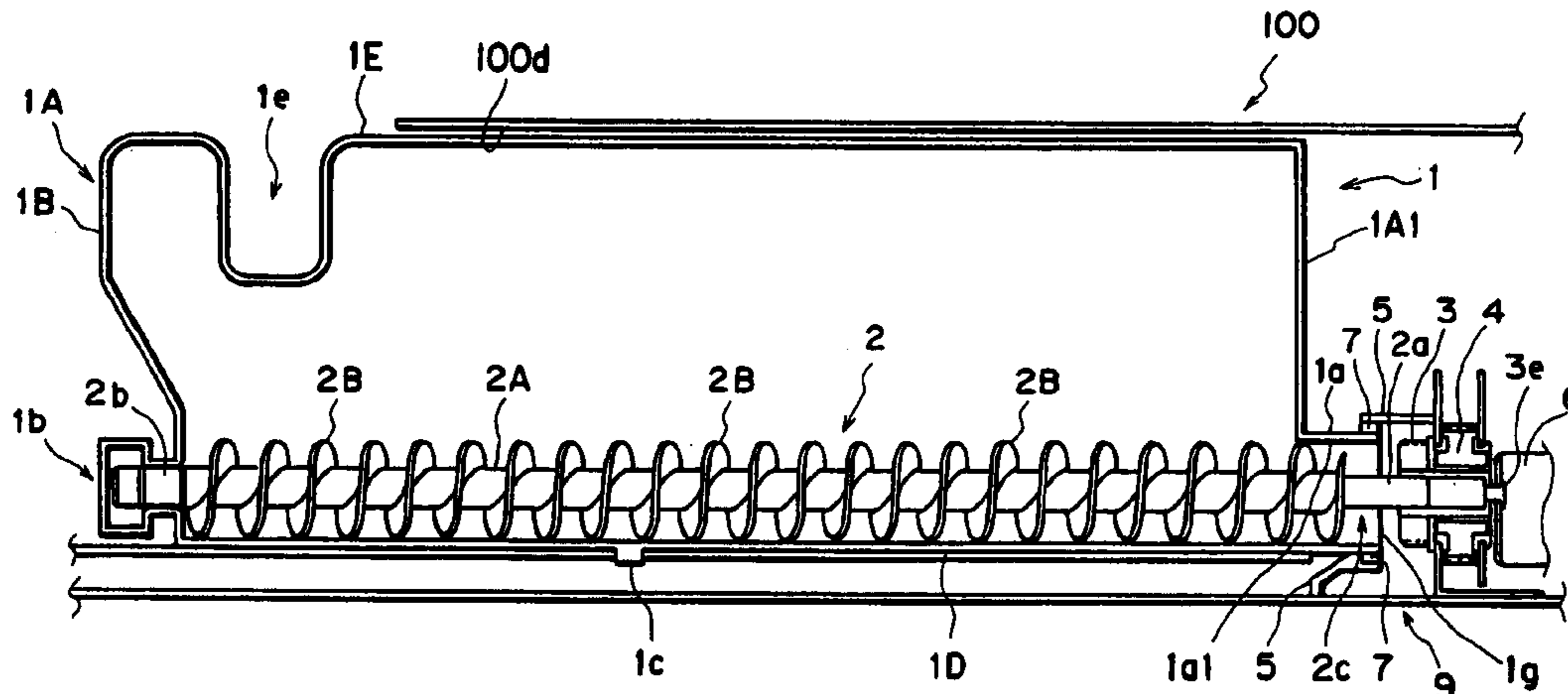
Primary Examiner—Susan Lee

(74) *Attorney, Agent, or Firm*—Fitzpatrick, Cella, Harper & Scinto

(57) **ABSTRACT**

A toner supply container detachably mountable to a main assembly of an electrophotographic image forming apparatus include (a) a toner accommodating portion for accommodating toner; (b) a toner supply opening for discharging toner accommodated in the toner accommodating portion; (c) a toner feeding member for feeding the toner accommodated in the toner accommodating portion toward the toner supply opening; (d) a sealing member including: a sealing portion for openably sealing the toner supply opening; and a driving portion for driving the toner feeding member.

94 Claims, 38 Drawing Sheets



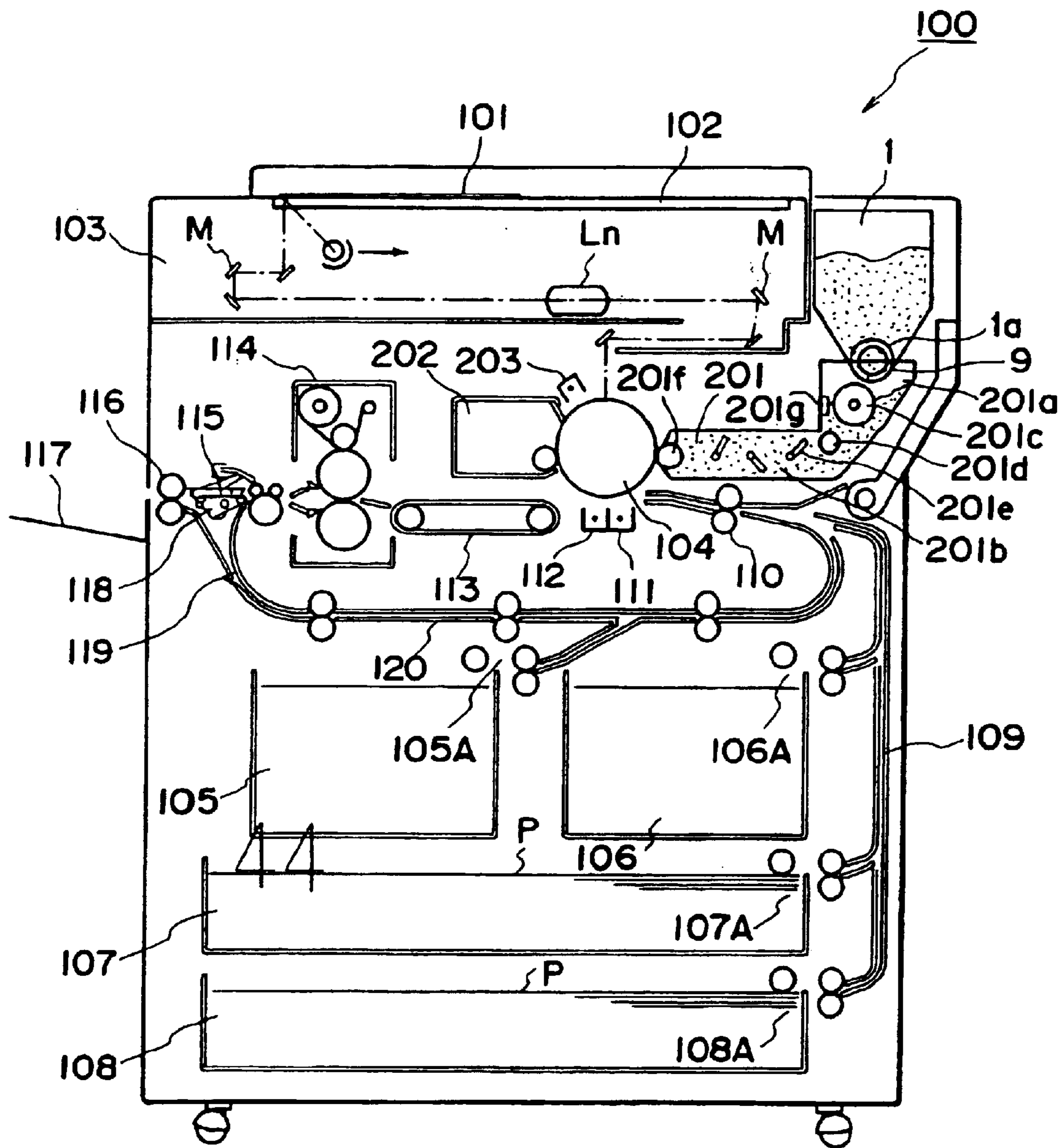


FIG. 1

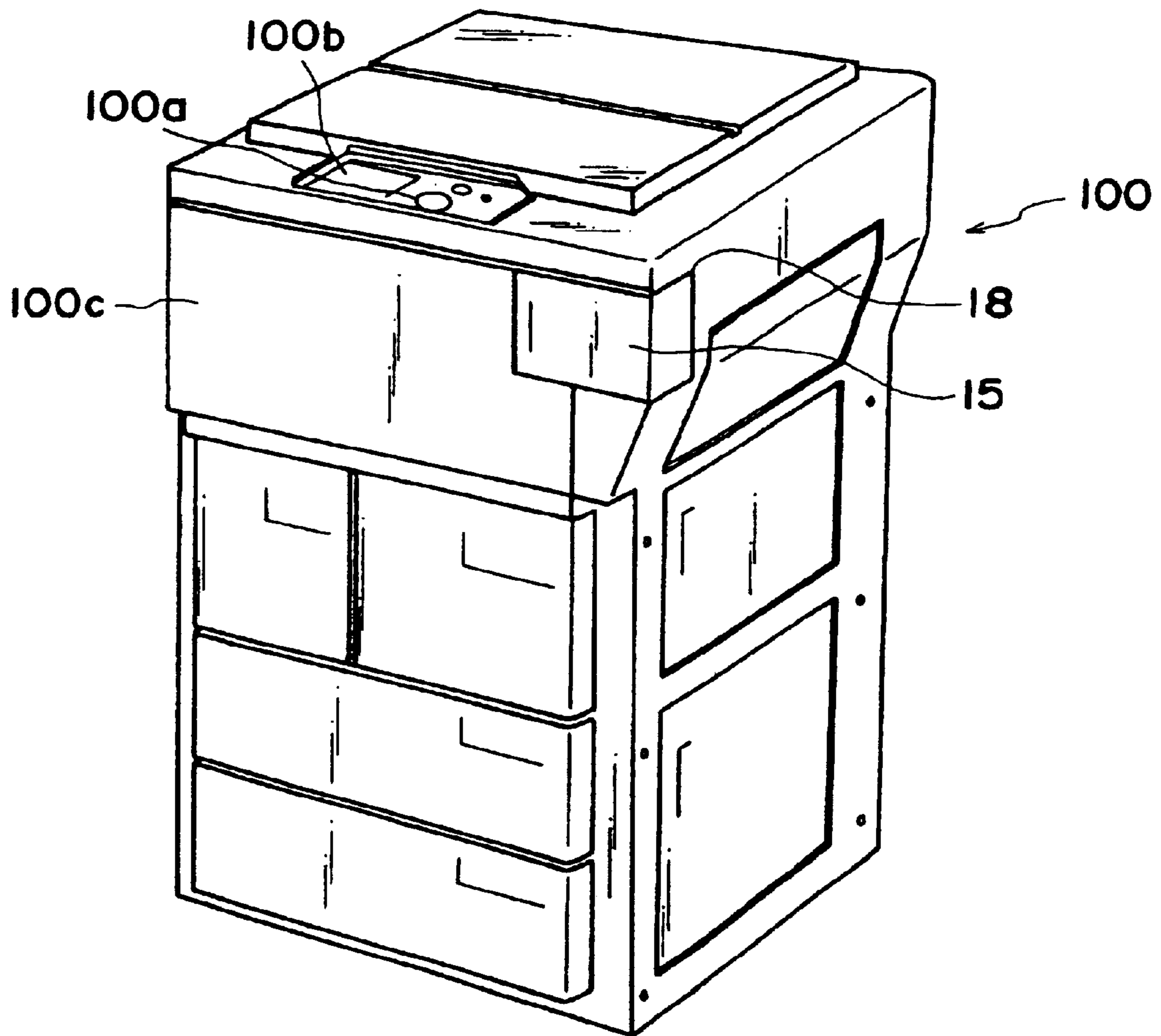


FIG. 2

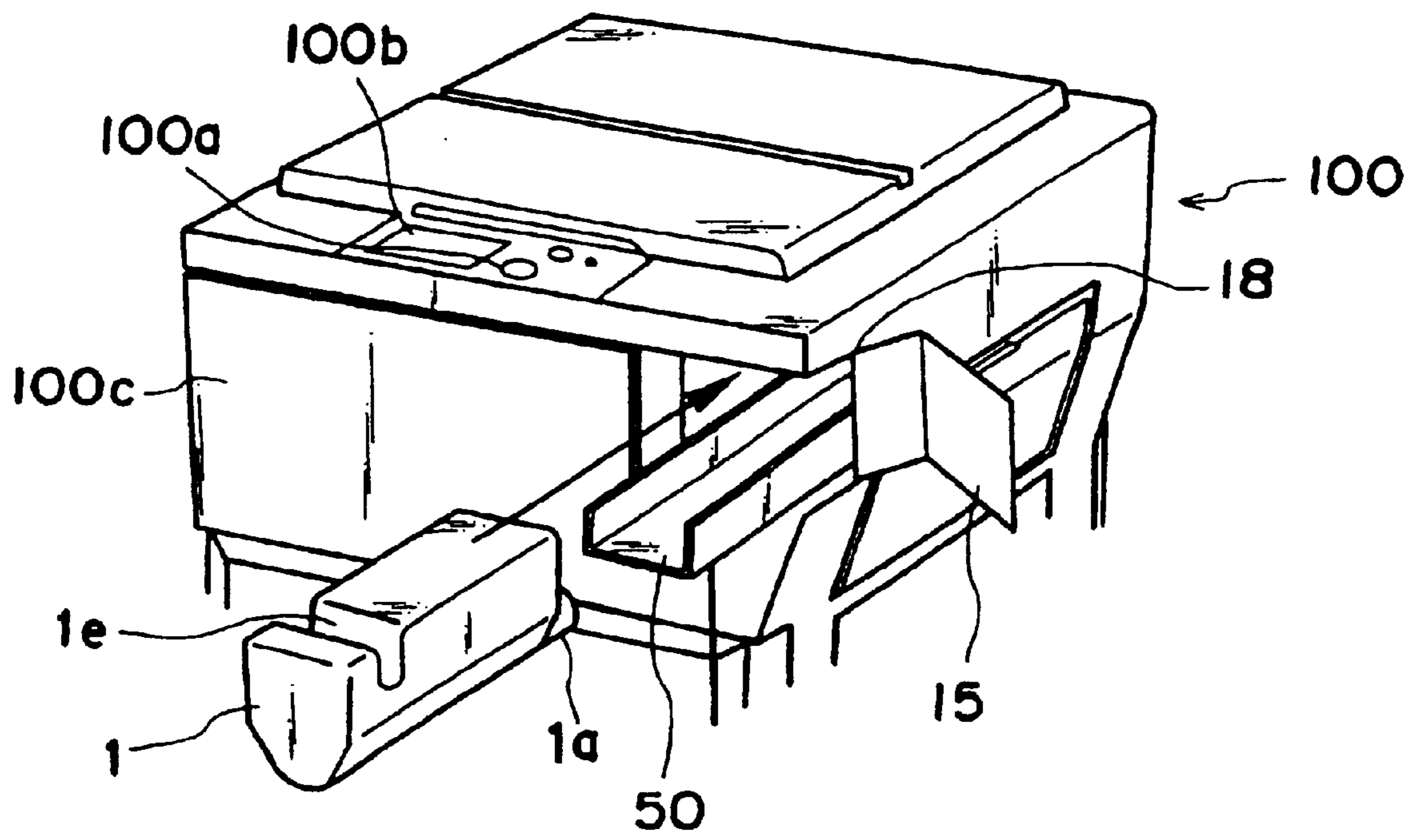


FIG. 3

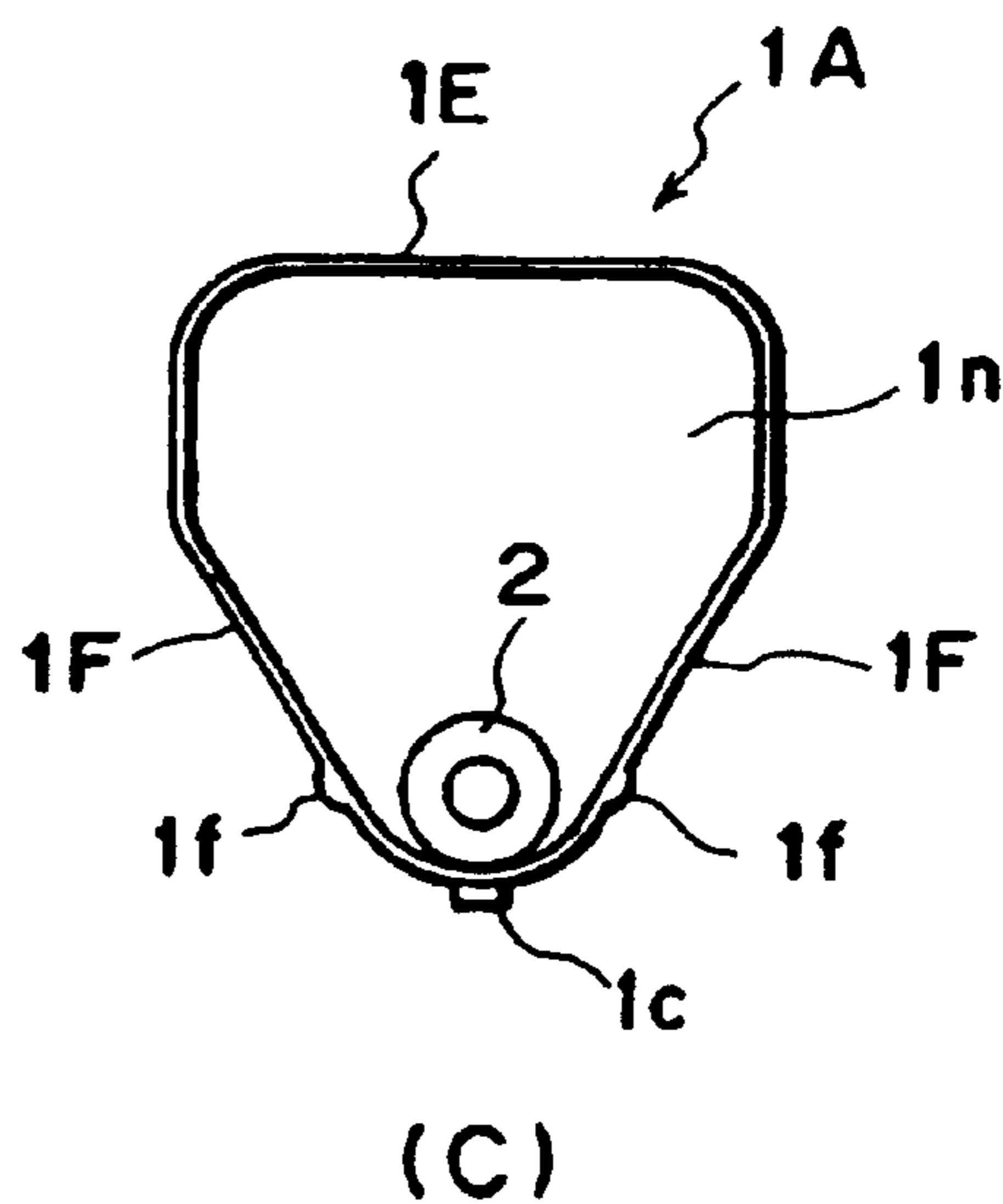
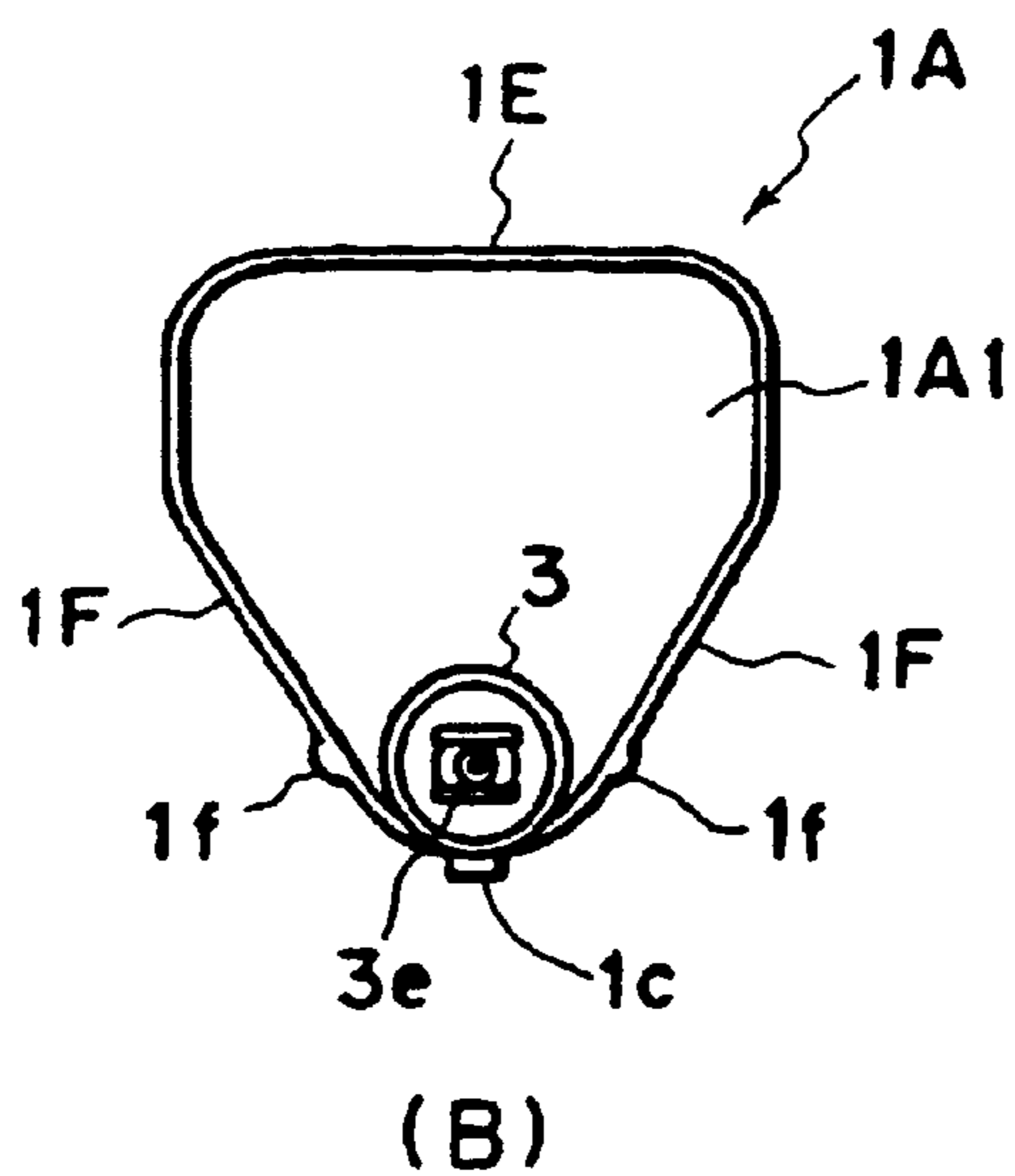
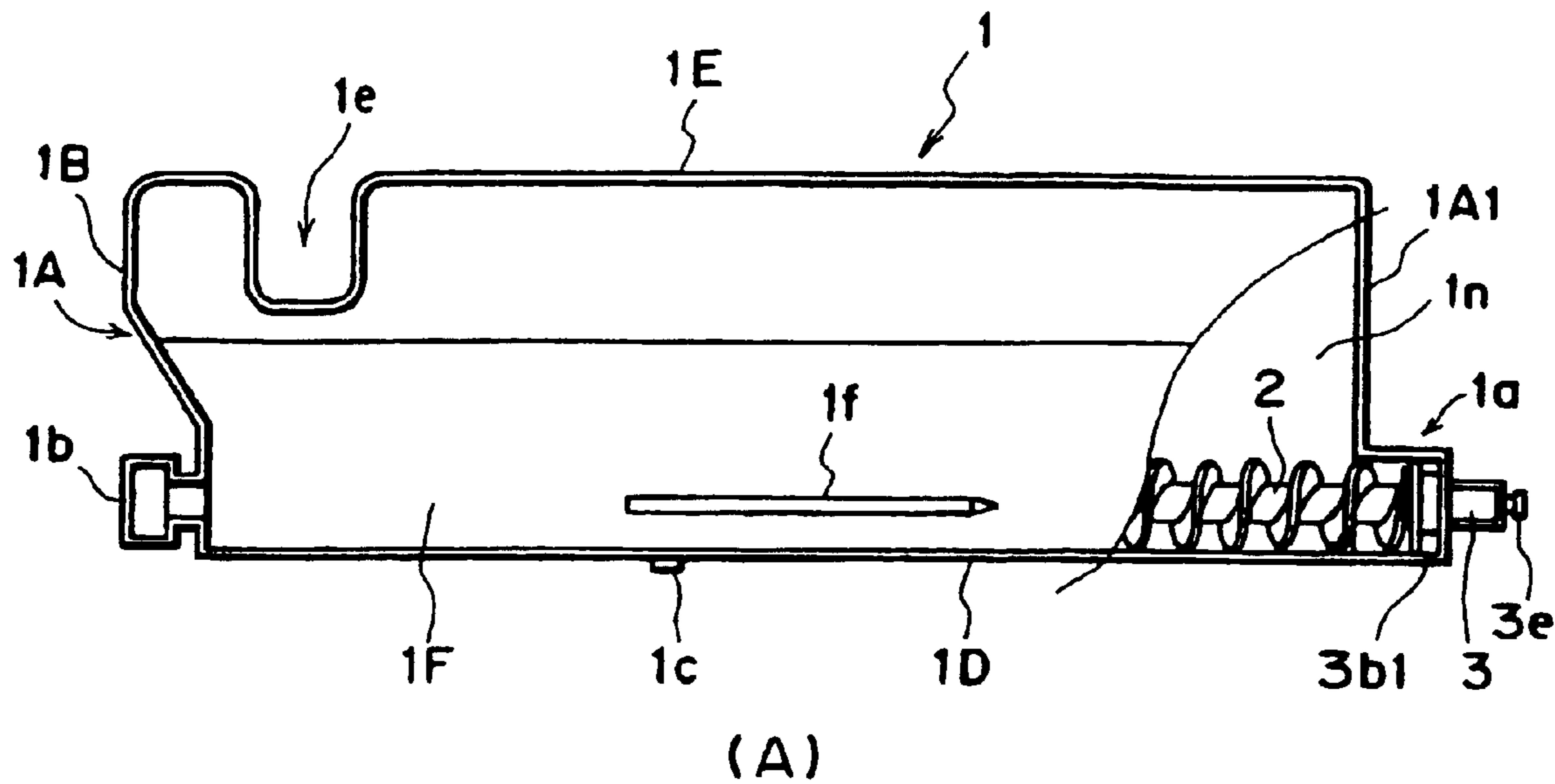


FIG. 4

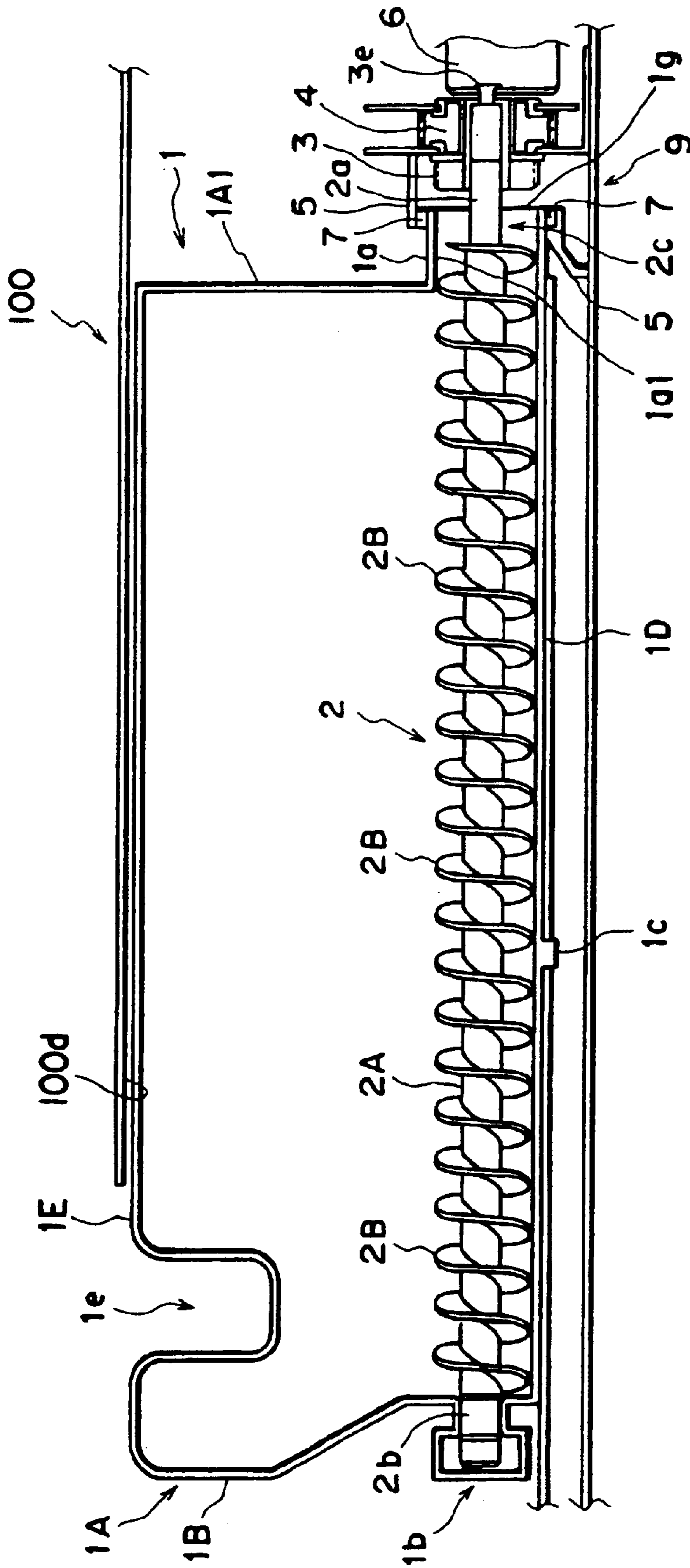


FIG. 5

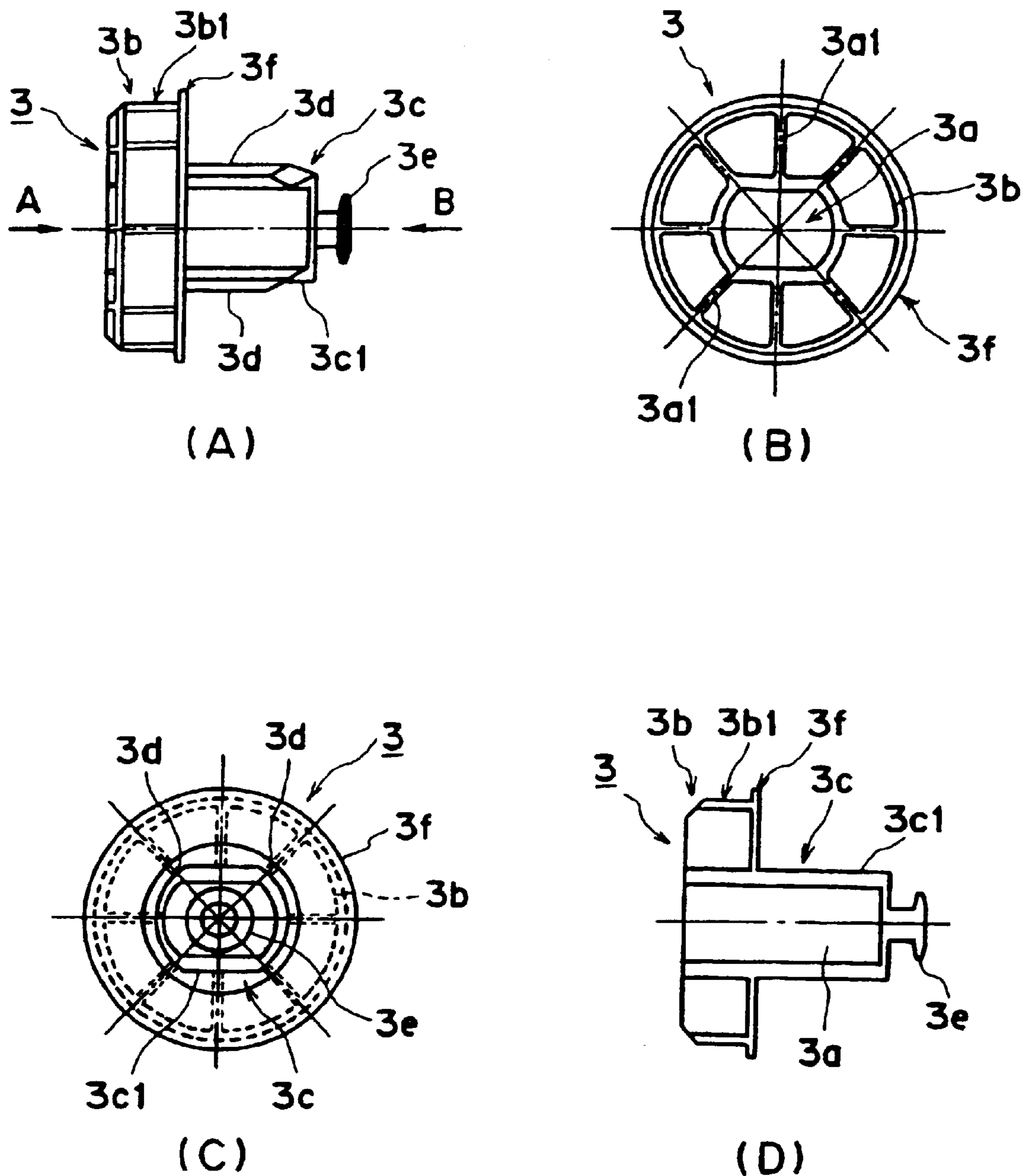


FIG. 6

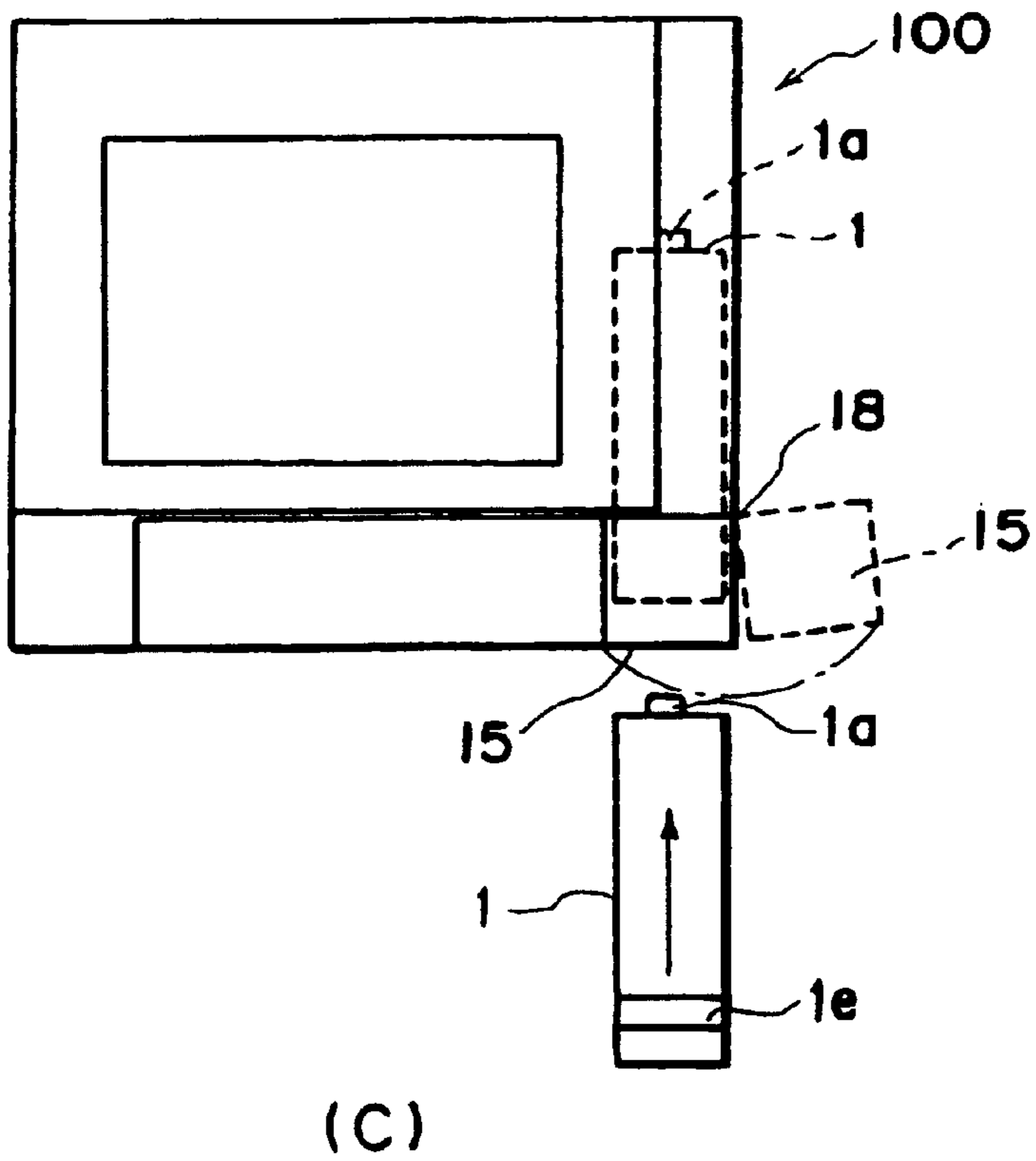
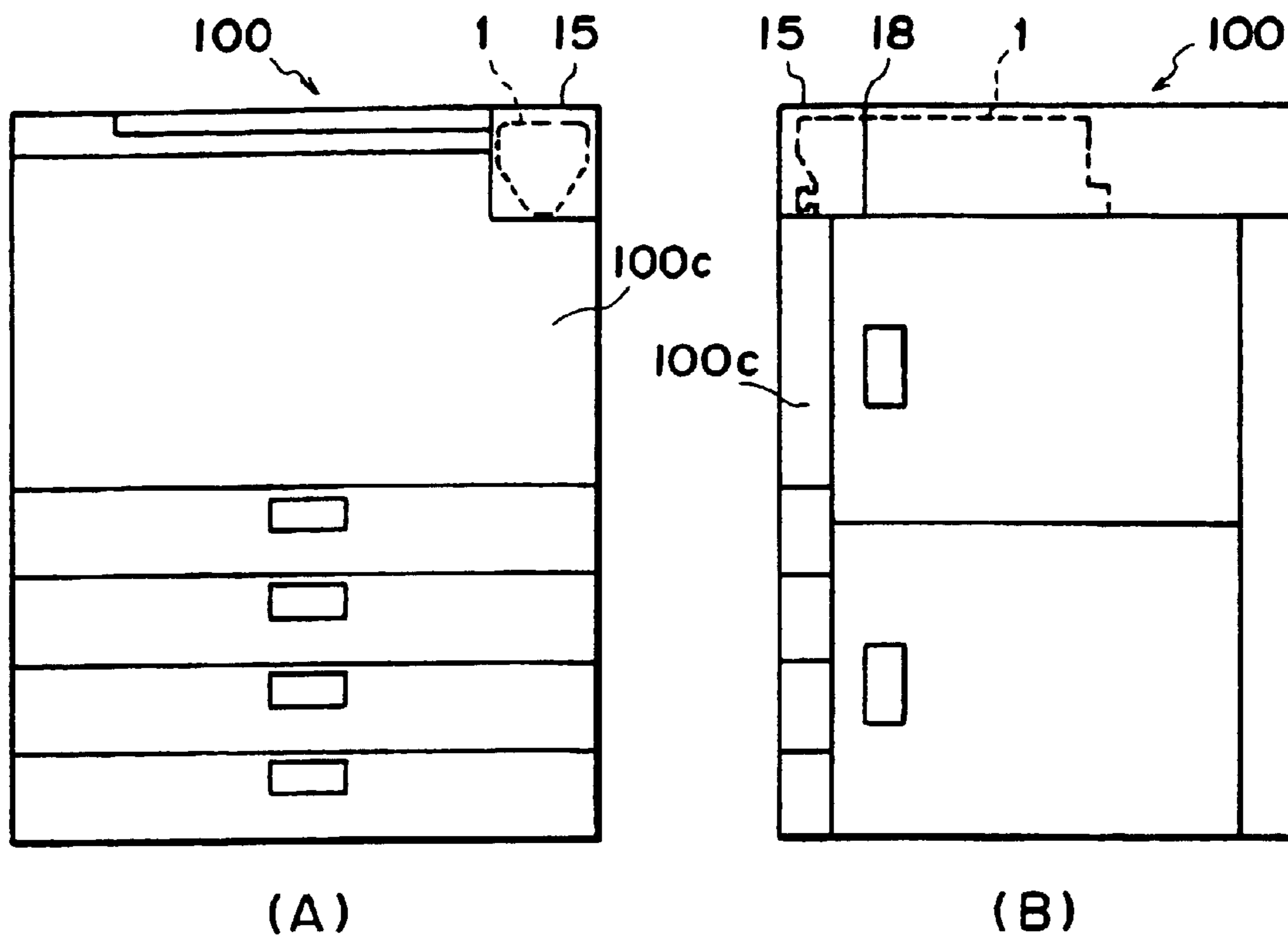


FIG. 7

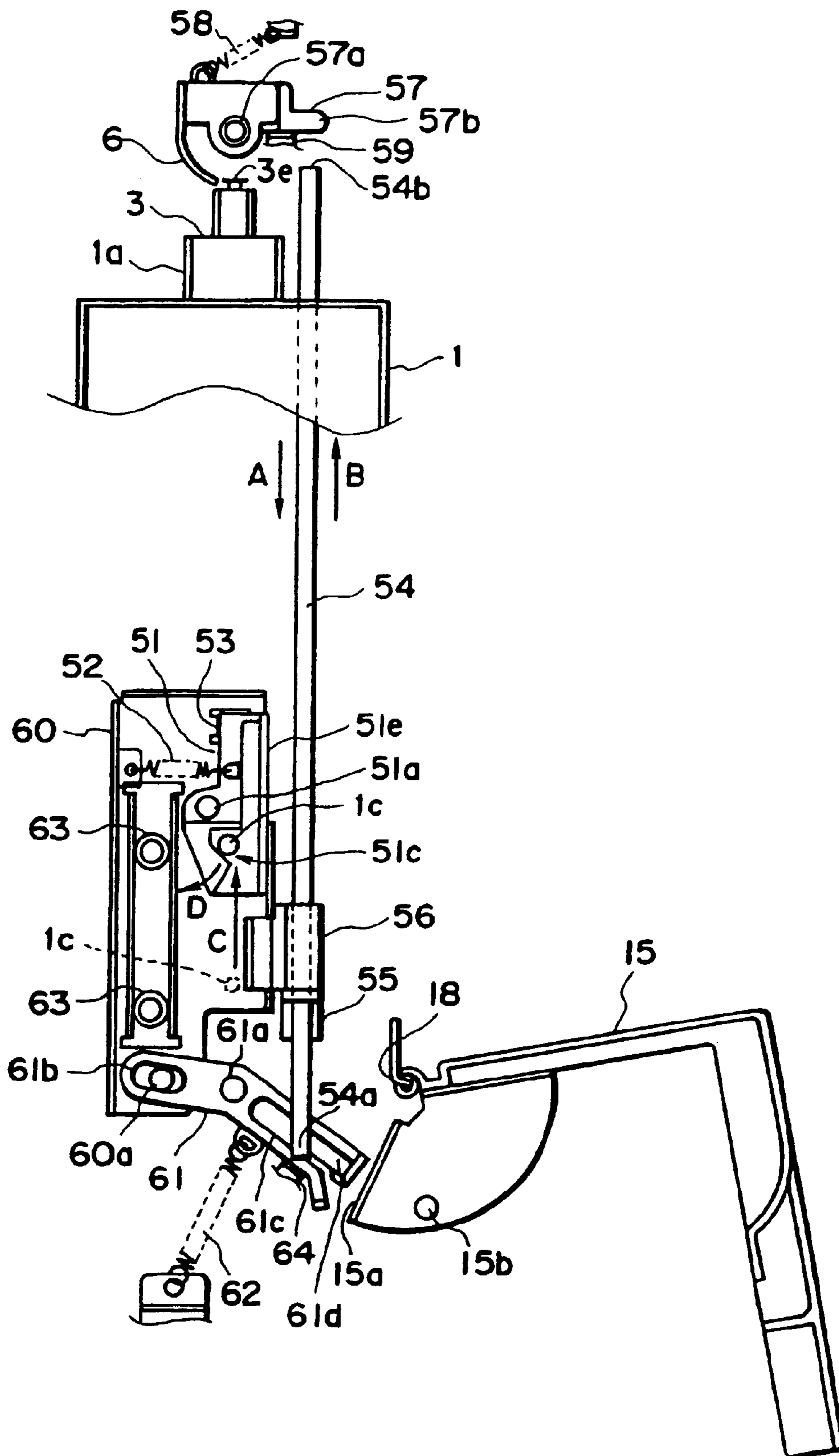


FIG. 8

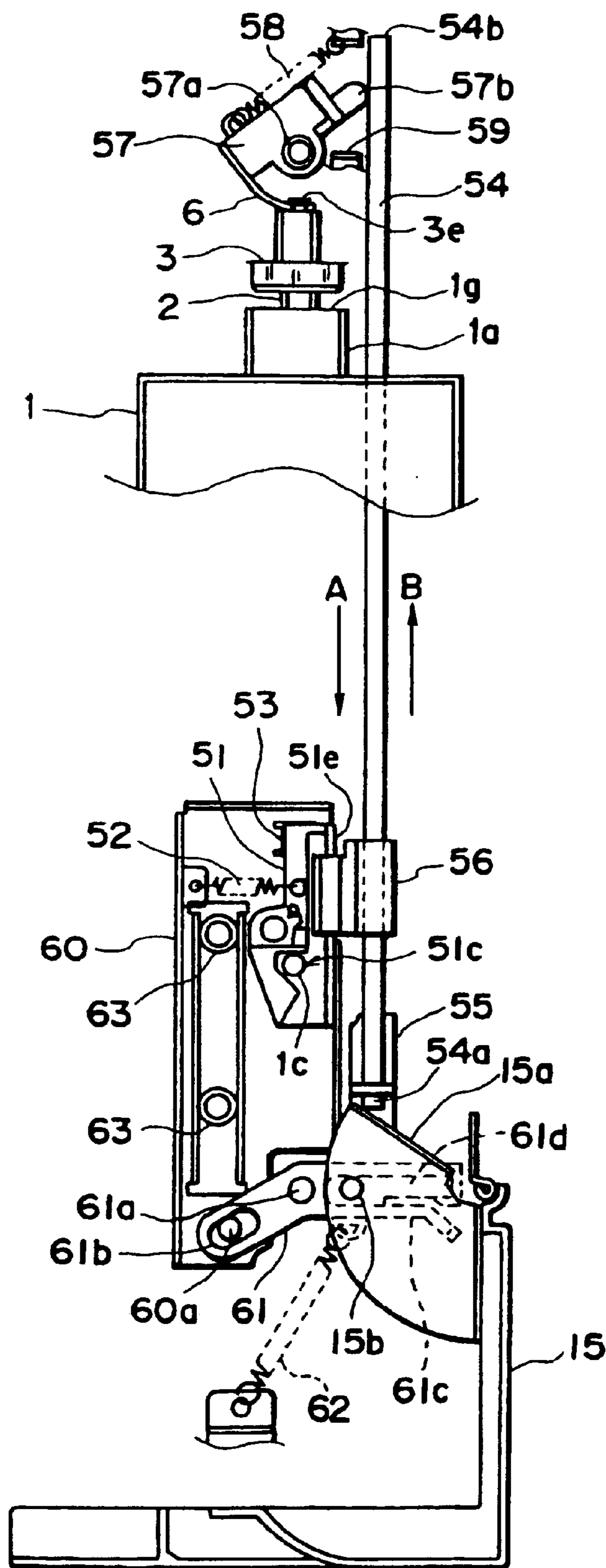


FIG. 9

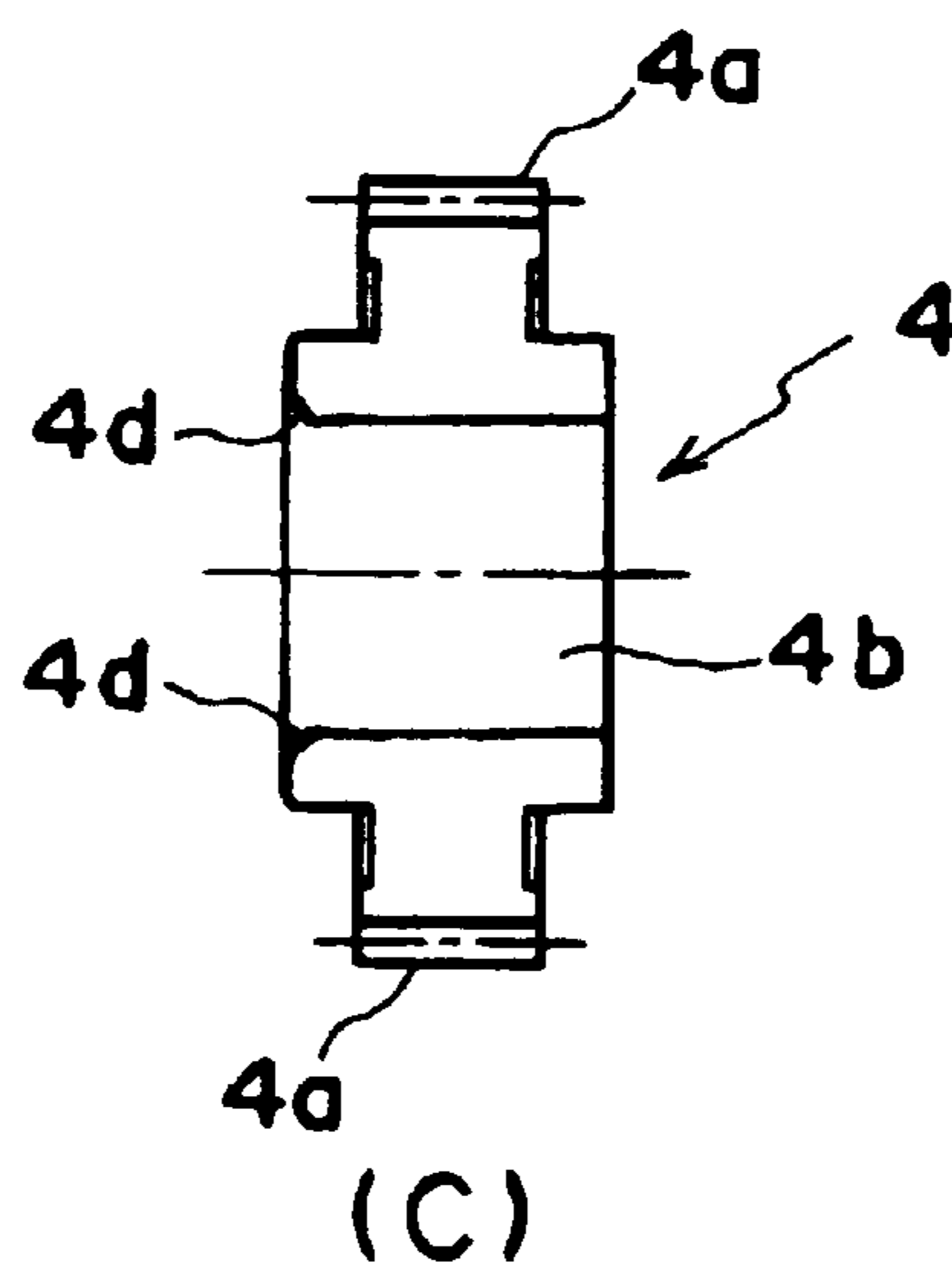
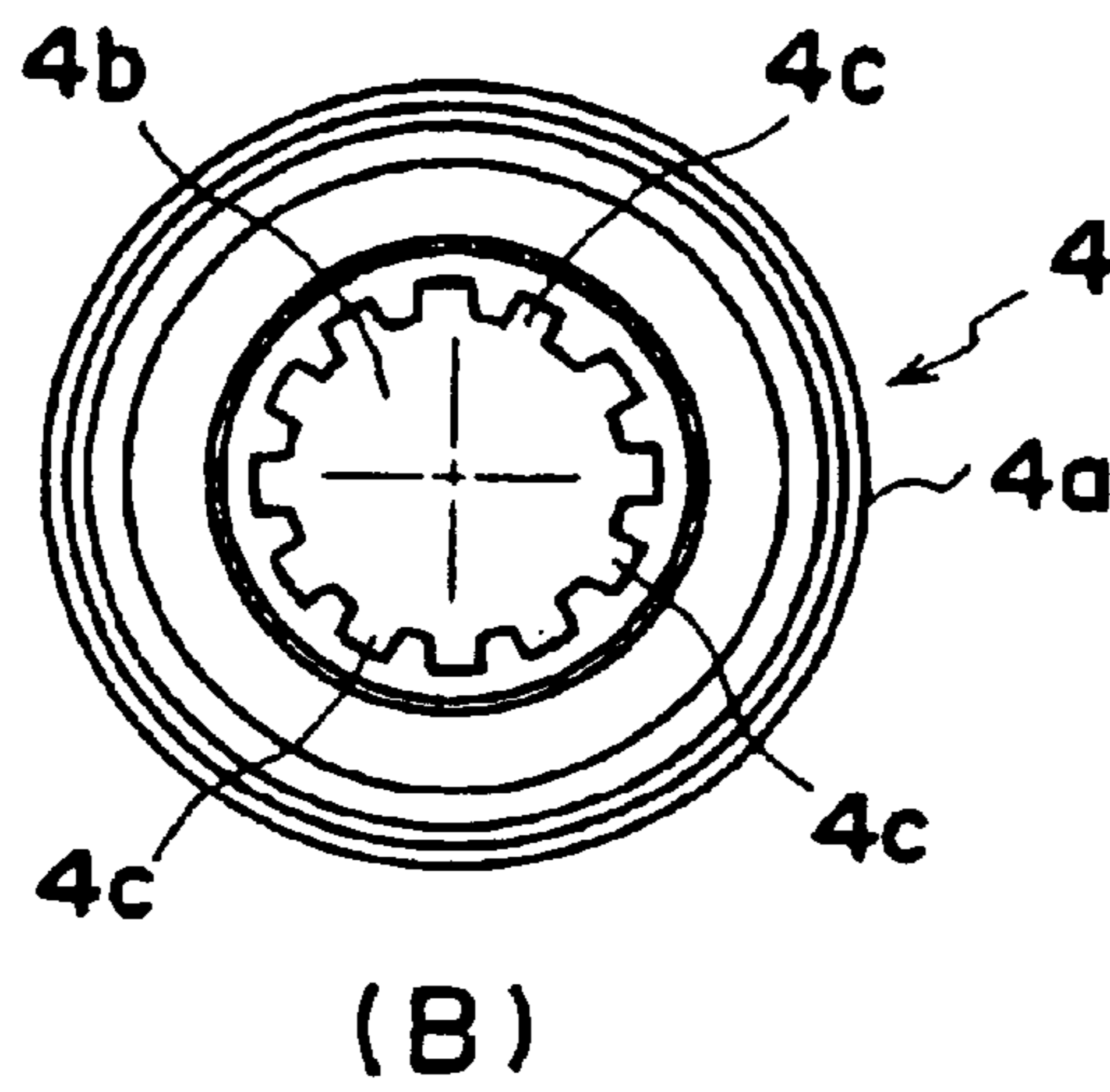
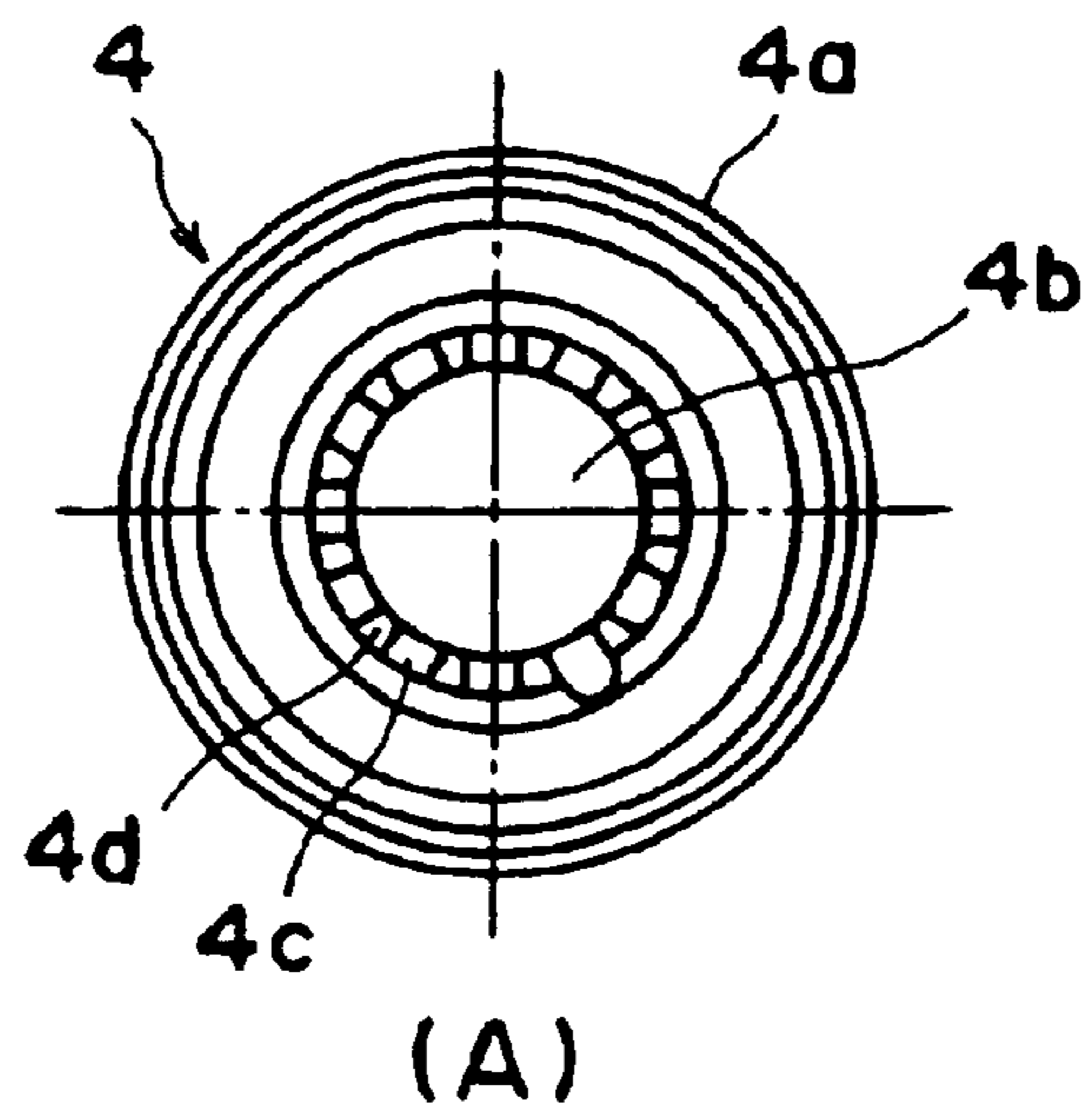
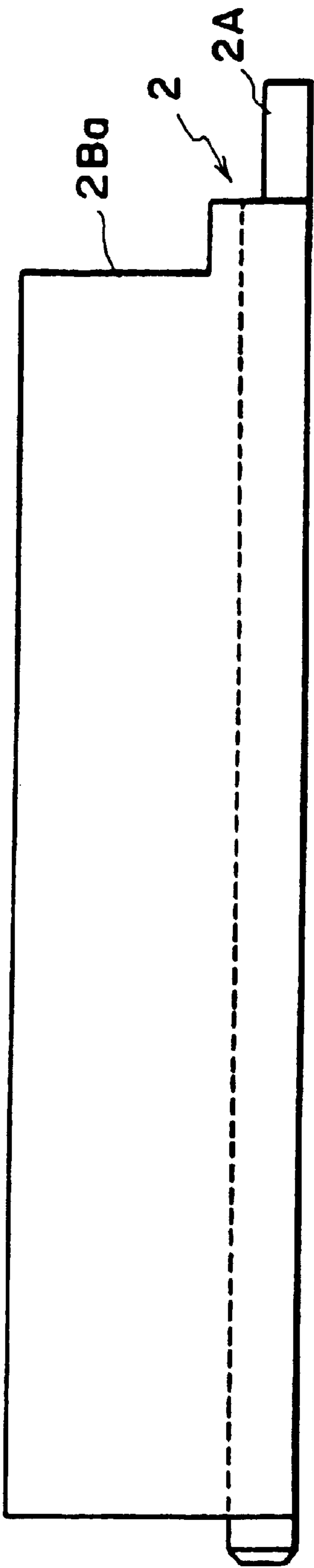
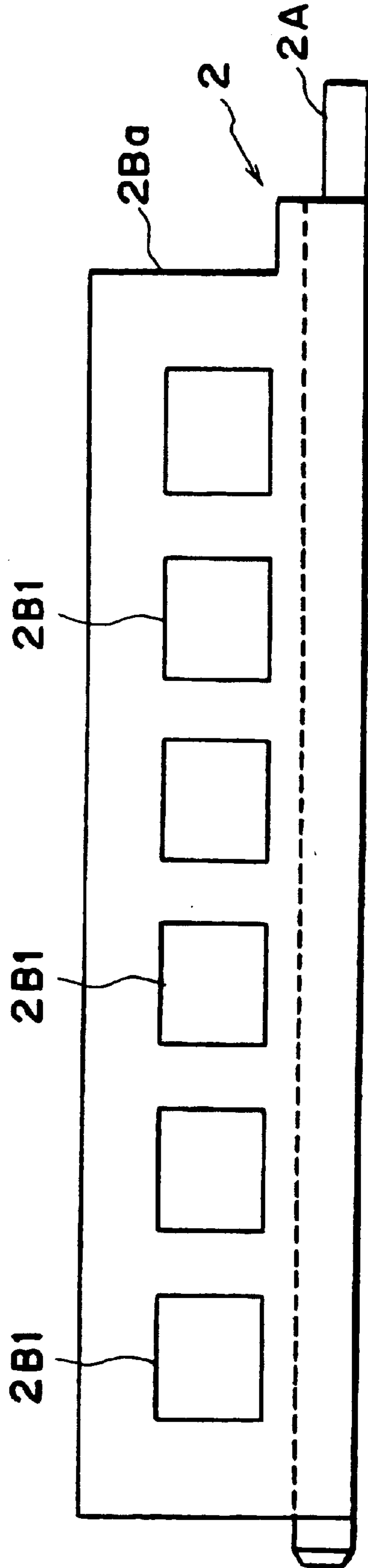


FIG. 10



(A)



(B)

FIG. 11

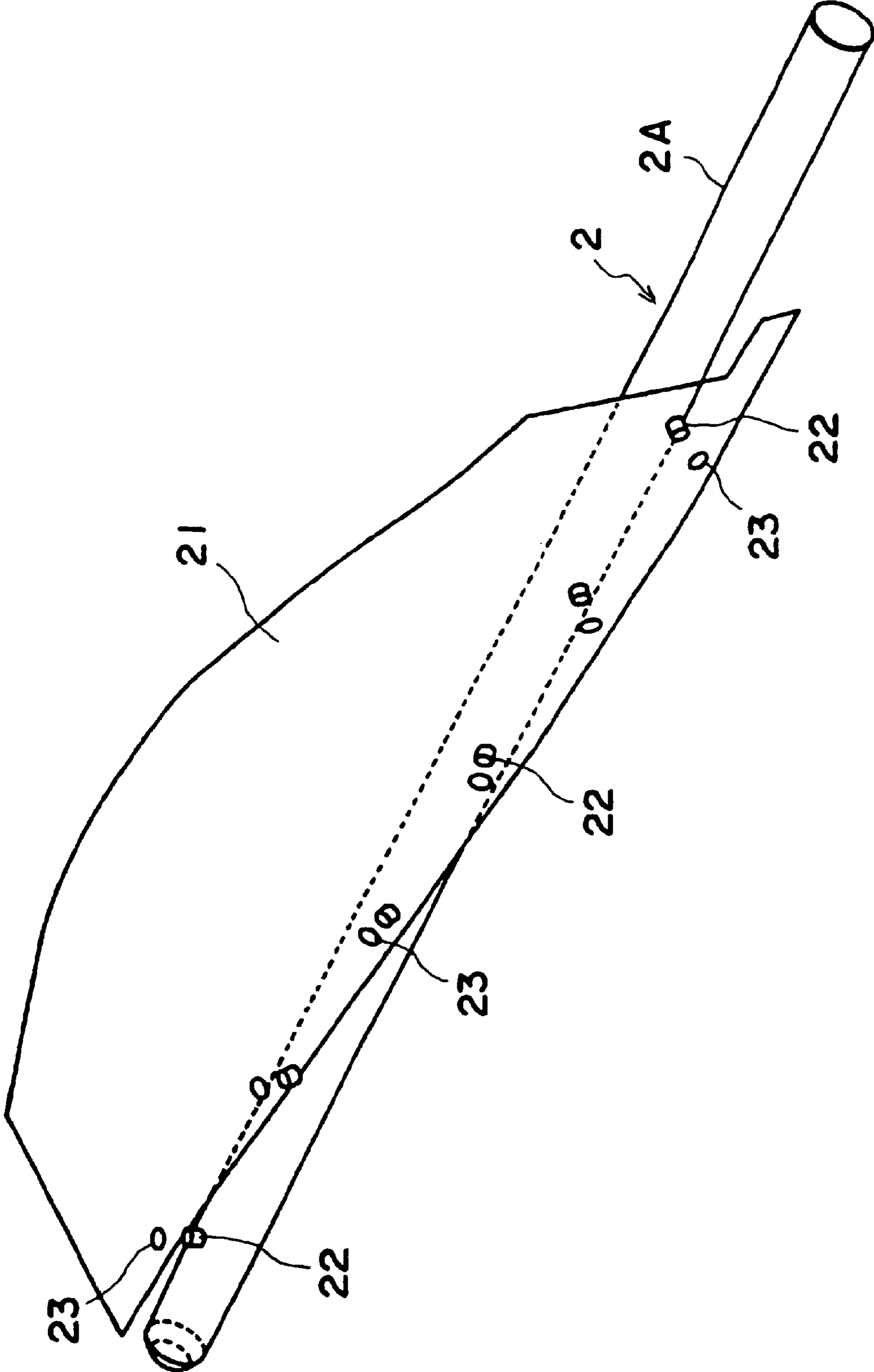


FIG. 12

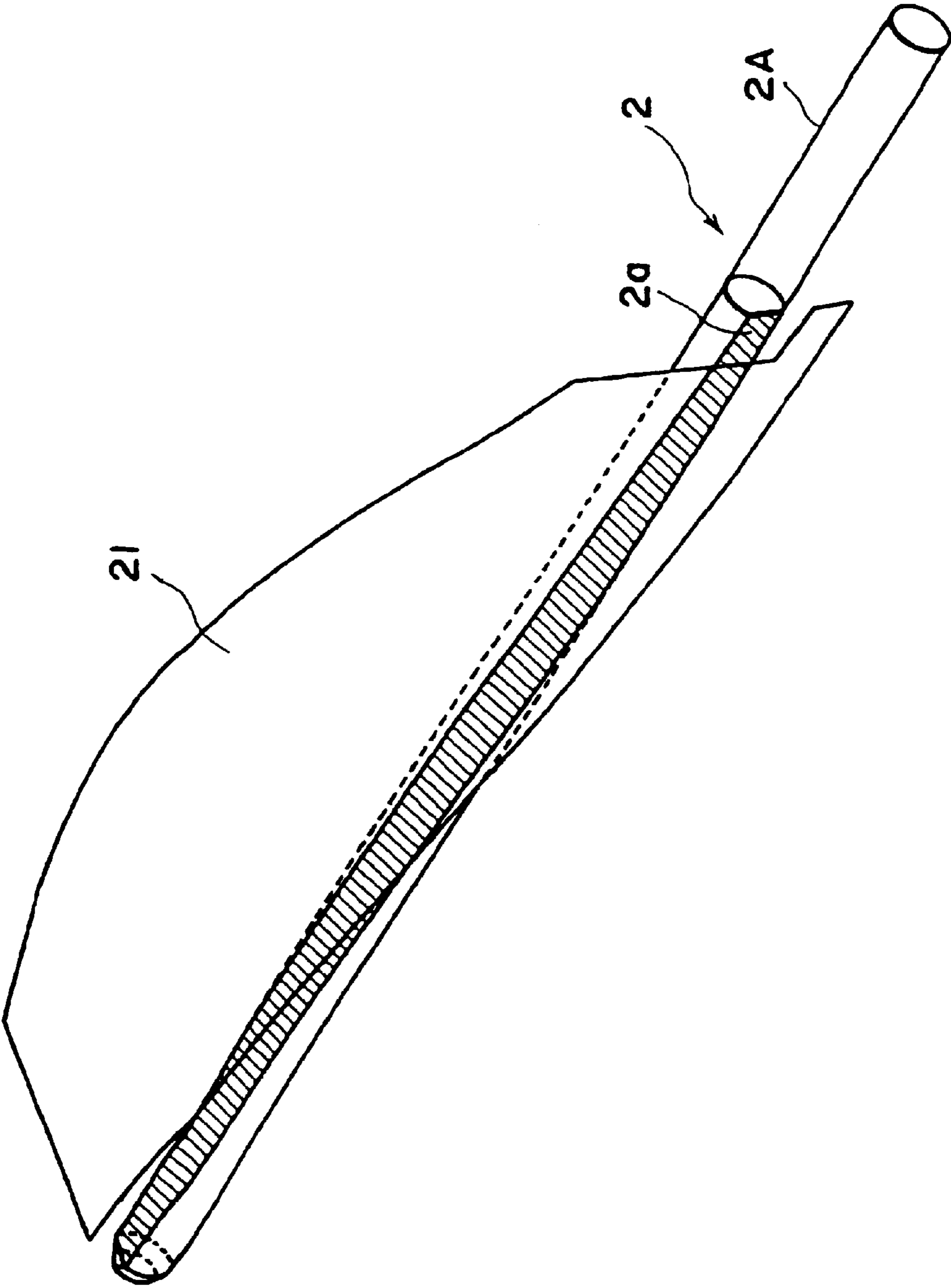


FIG. 13

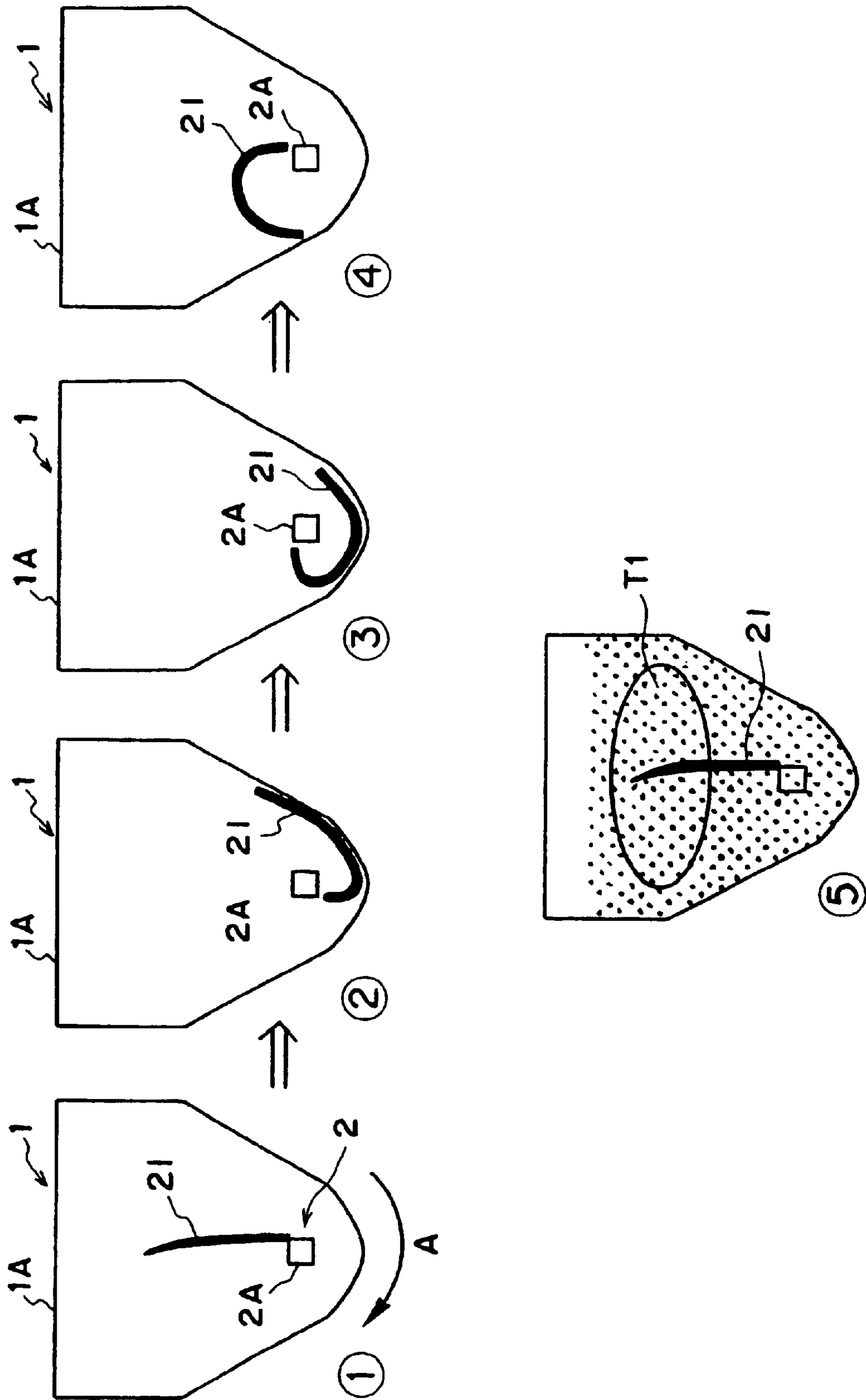


FIG. 14

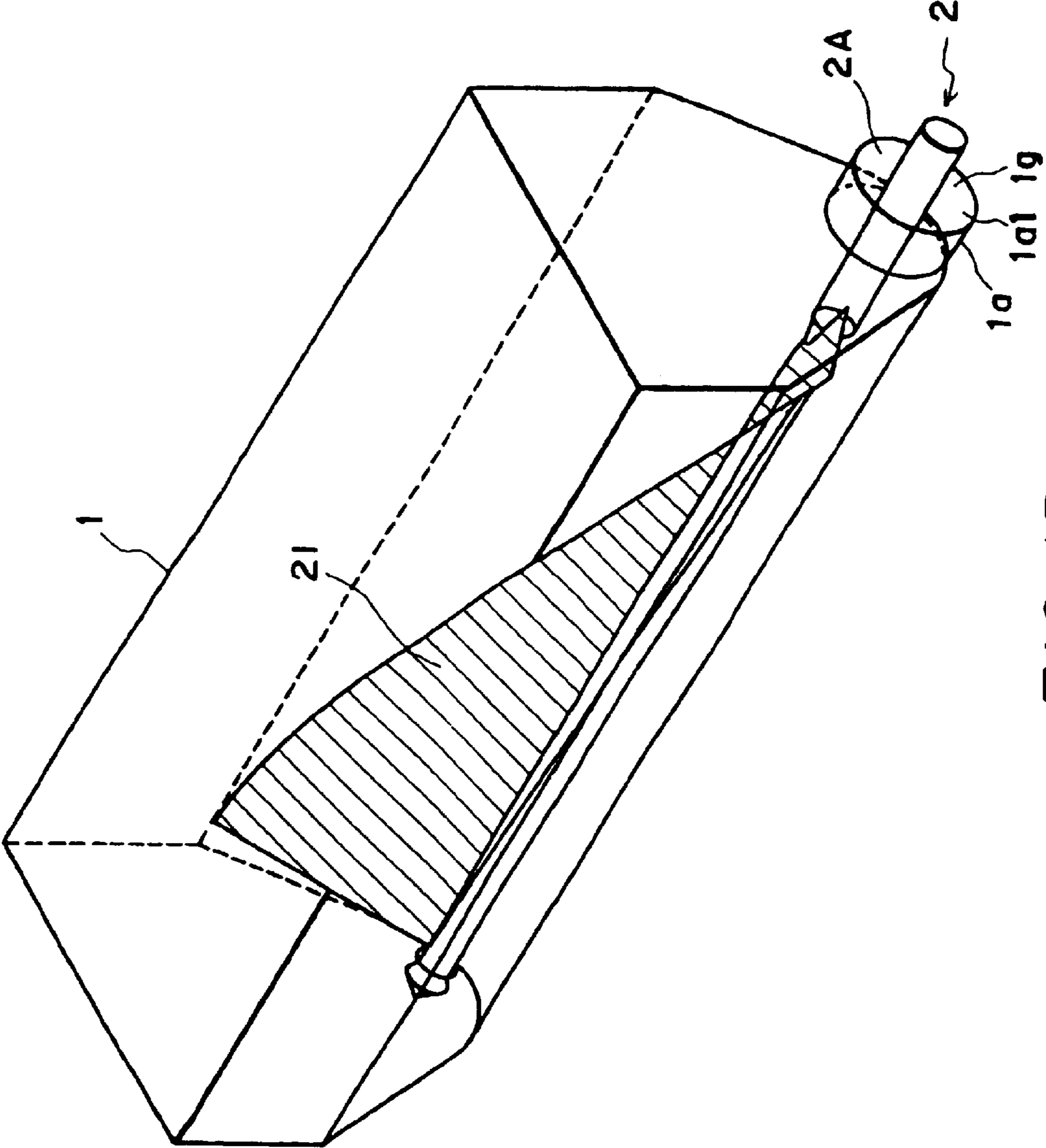


FIG. 15

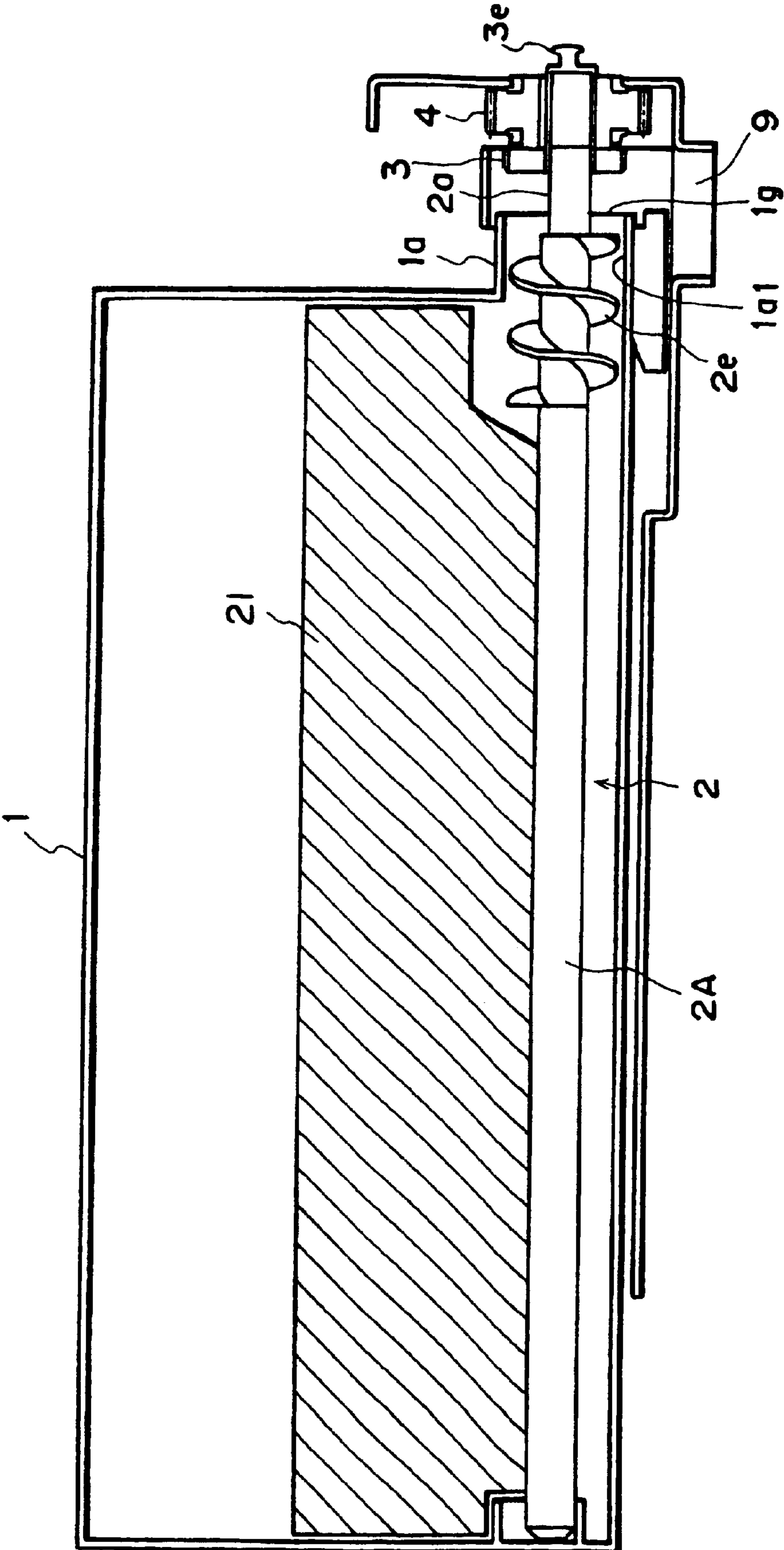


FIG. 16

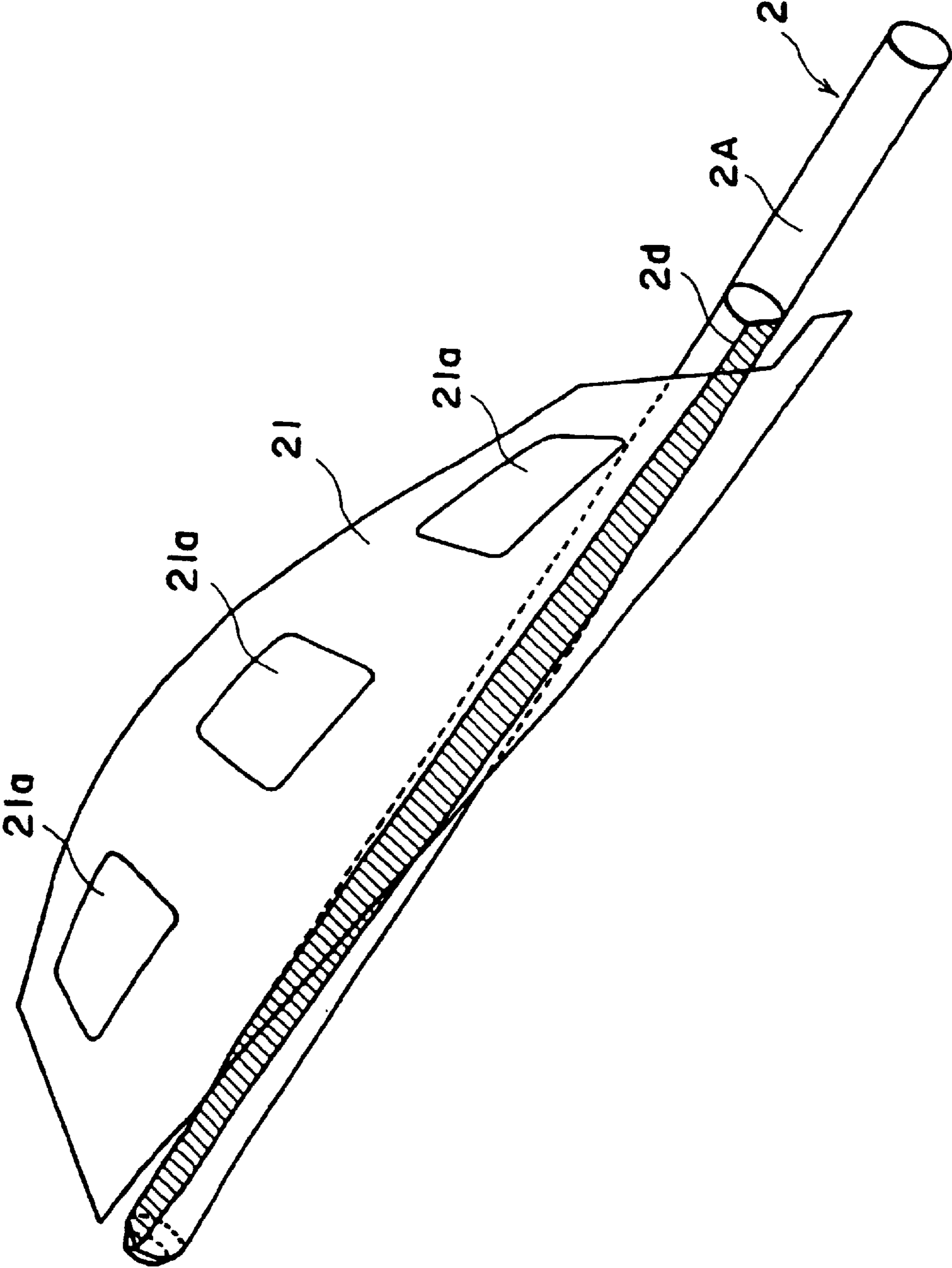


FIG. 17

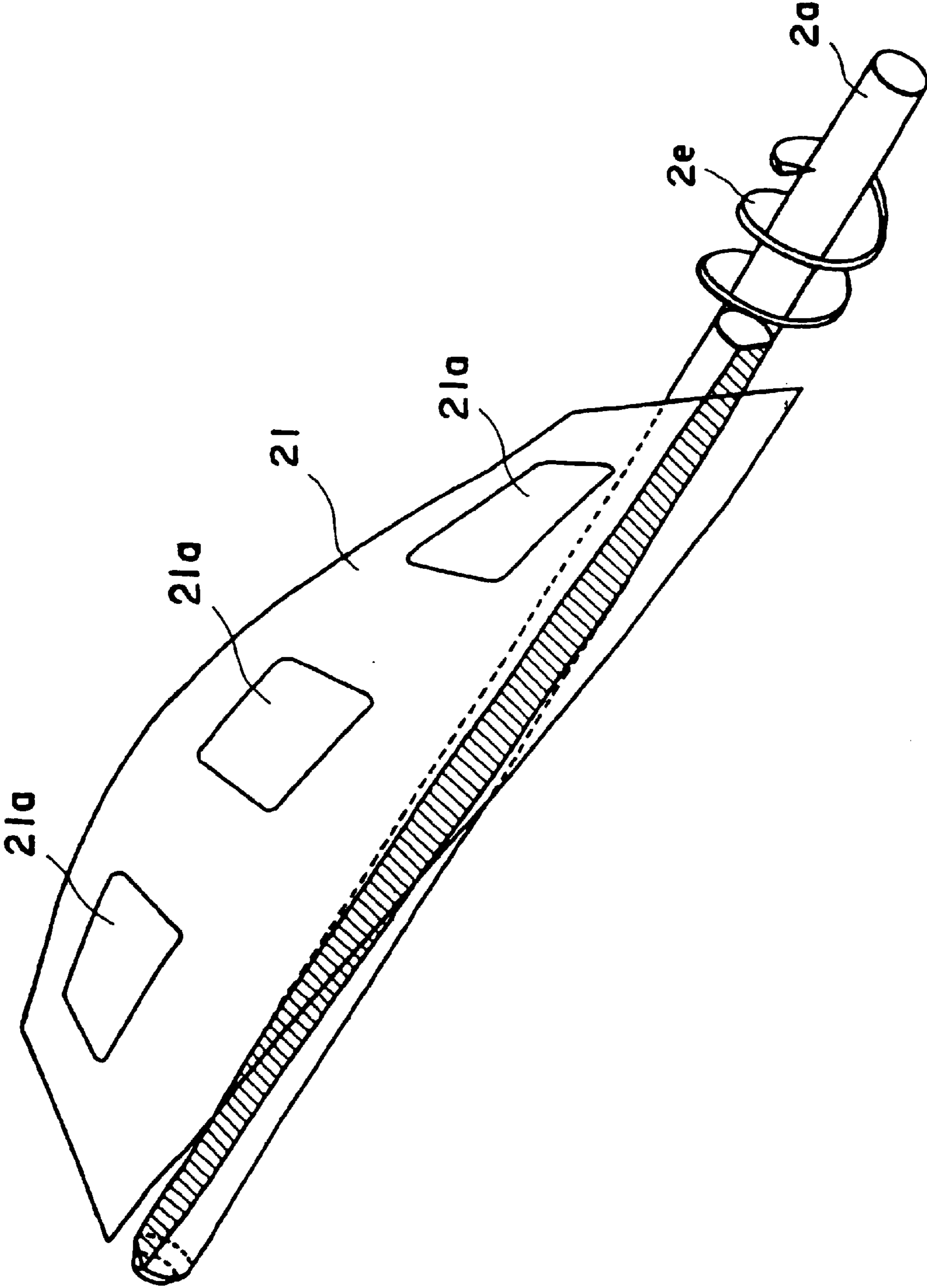


FIG. 18

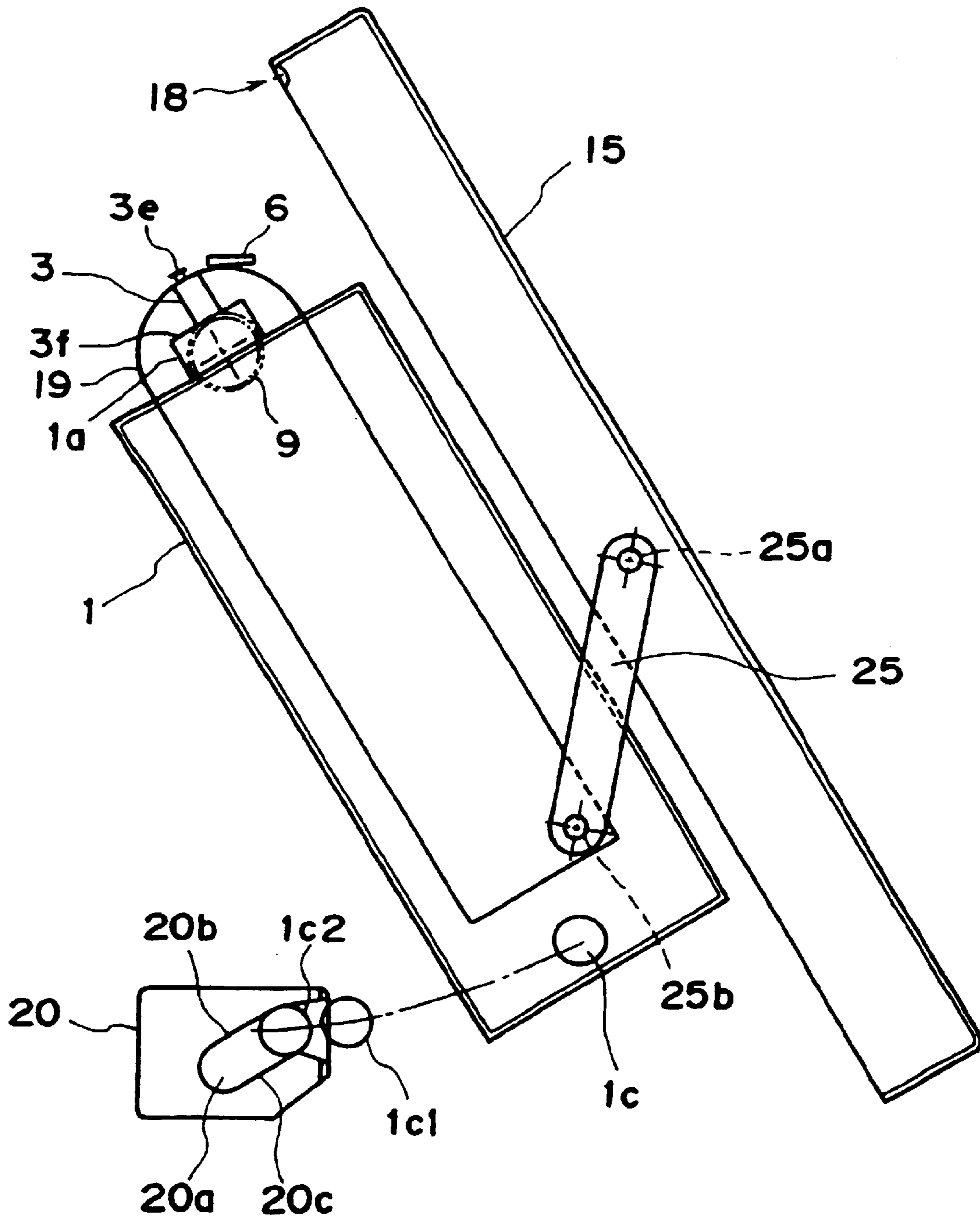


FIG. 19

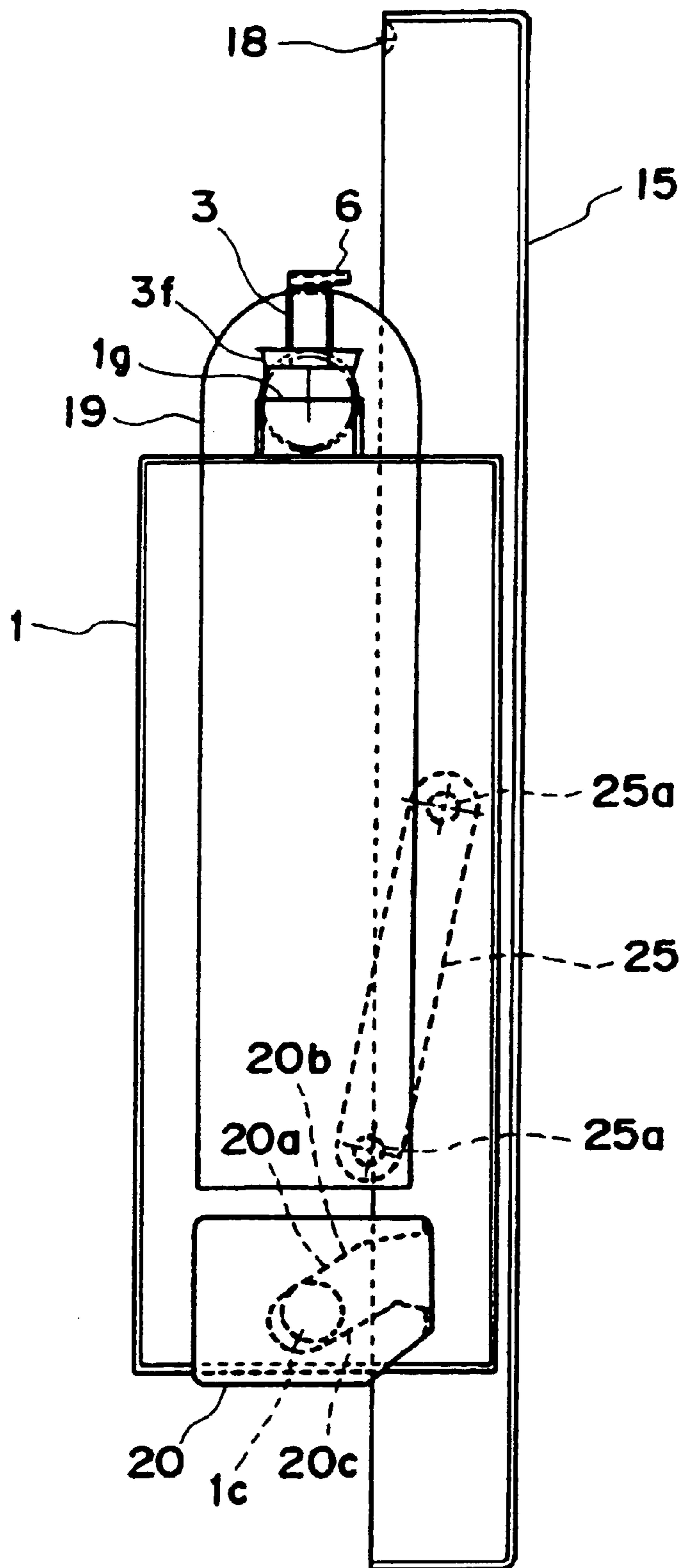


FIG. 20

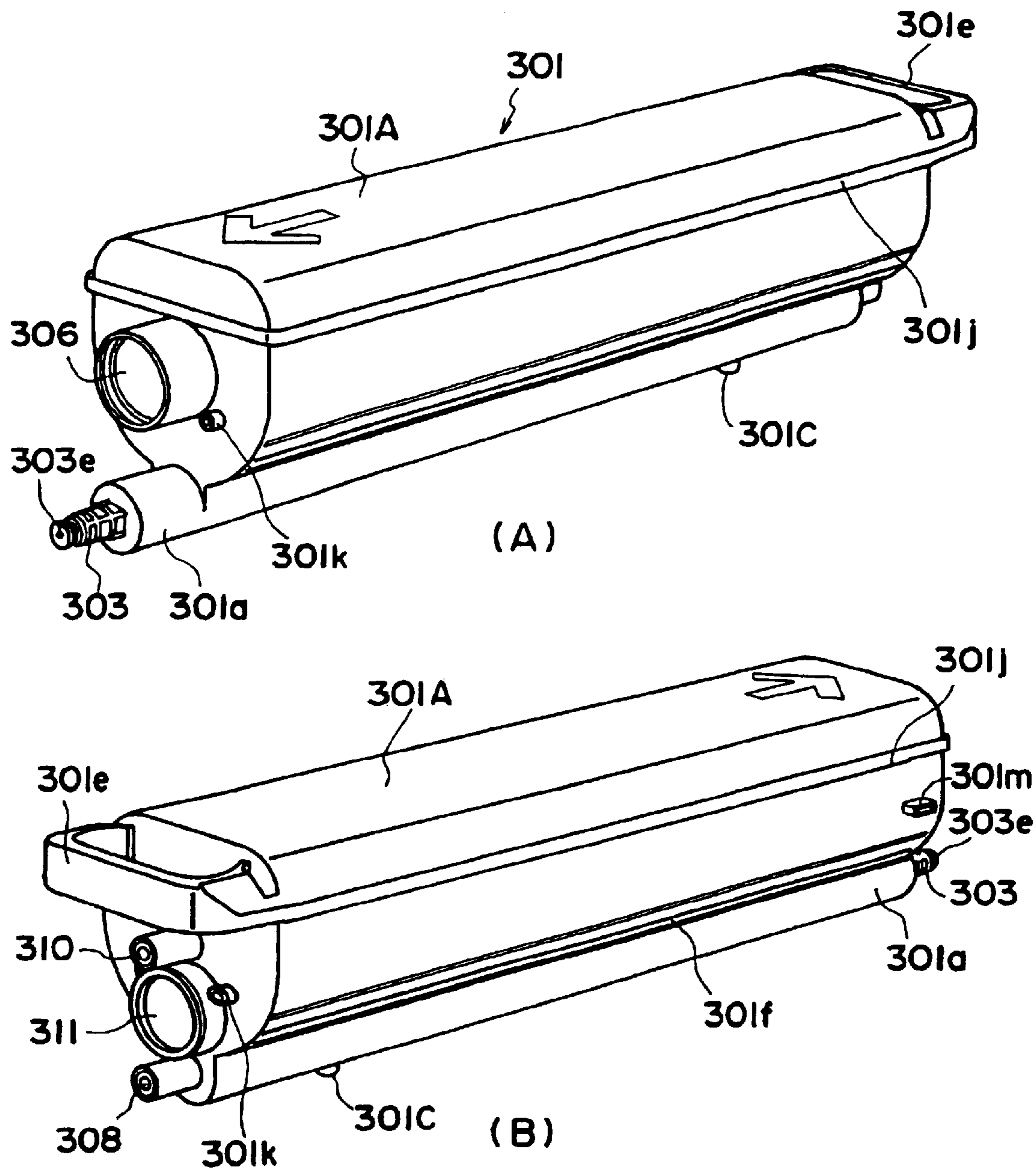


FIG. 21

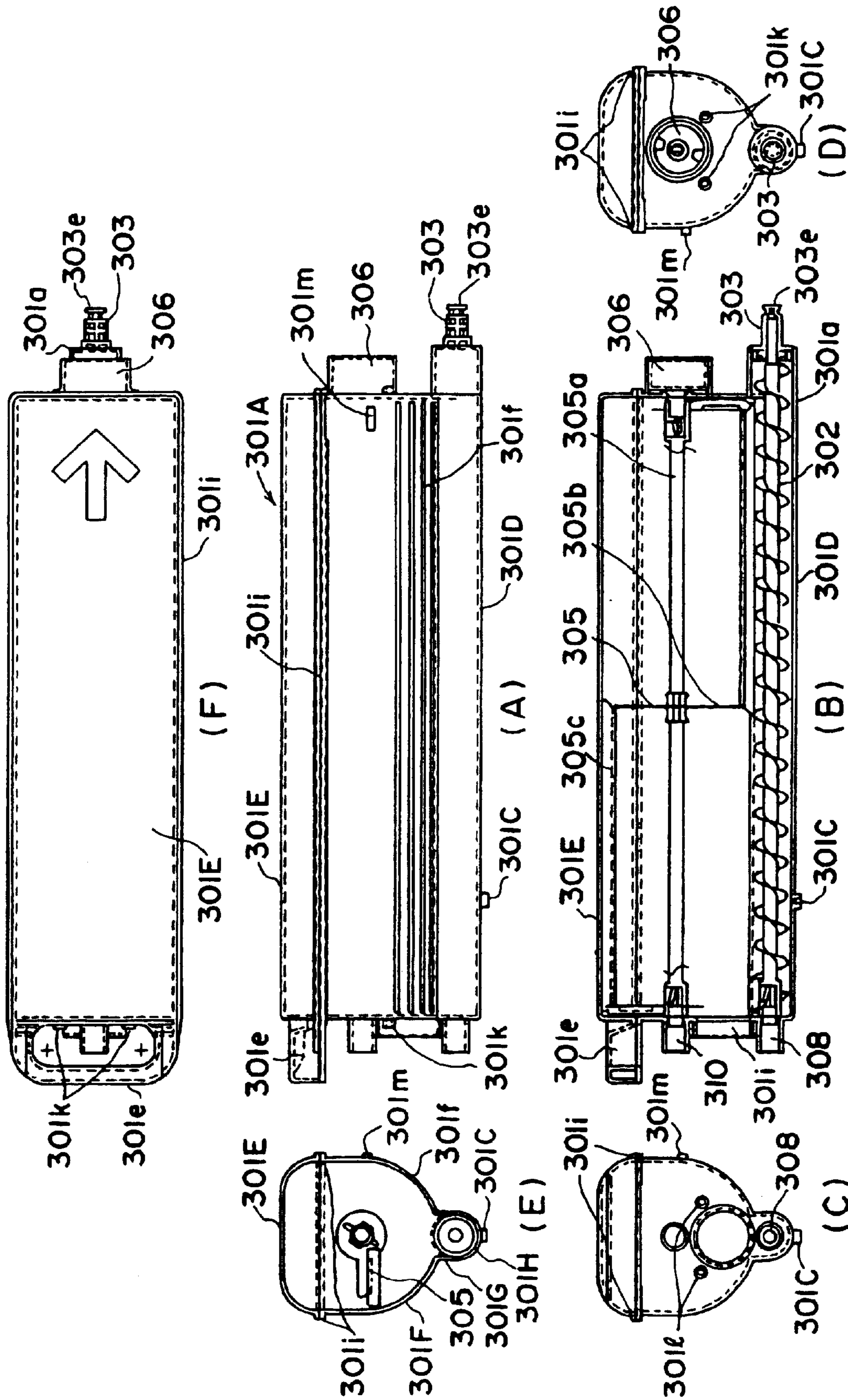


FIG. 22

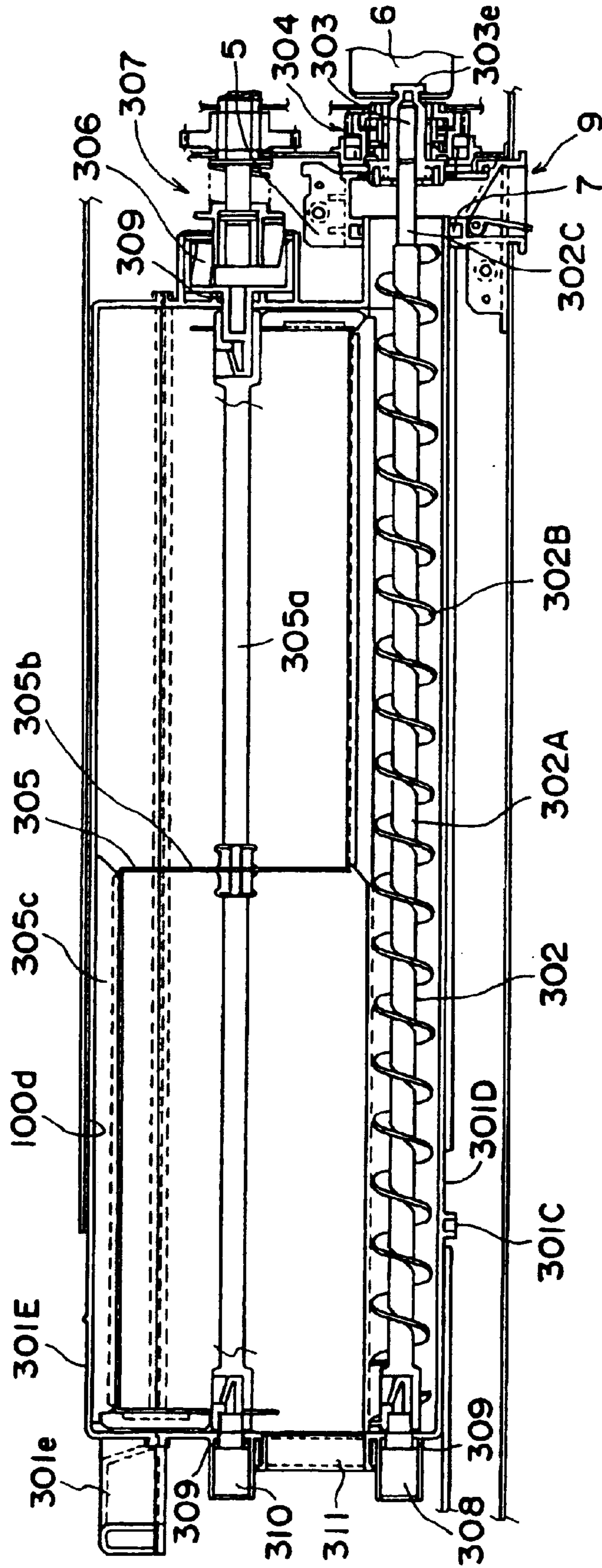


FIG. 23

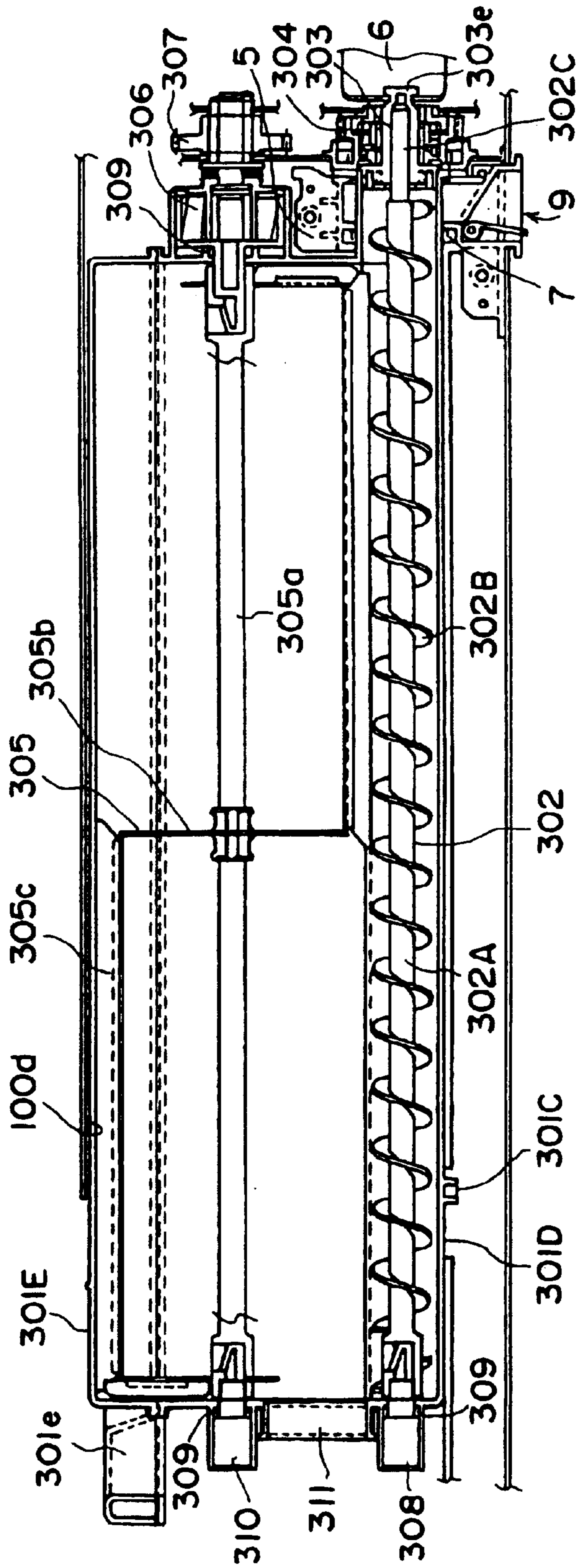


FIG. 24

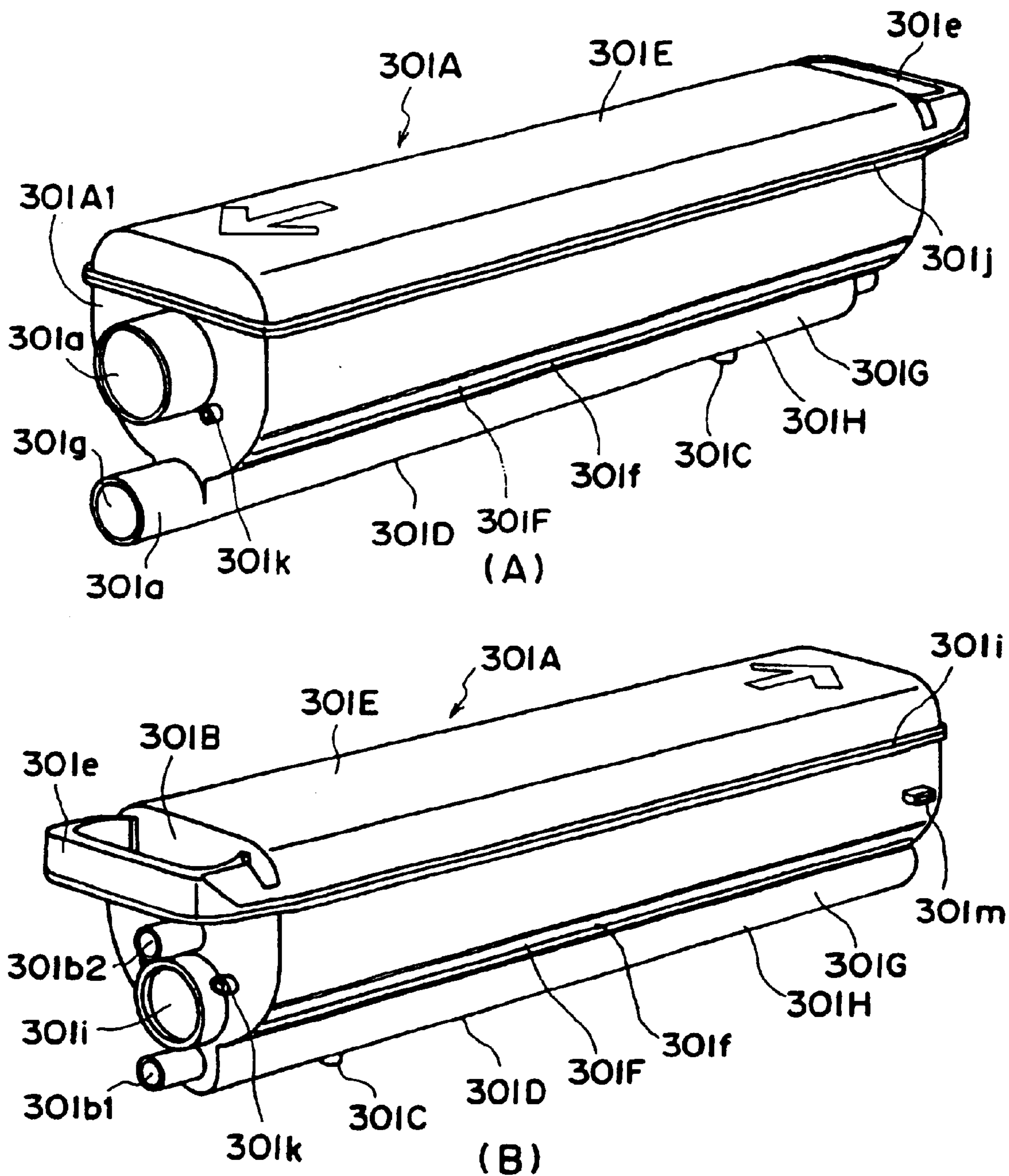


FIG. 25

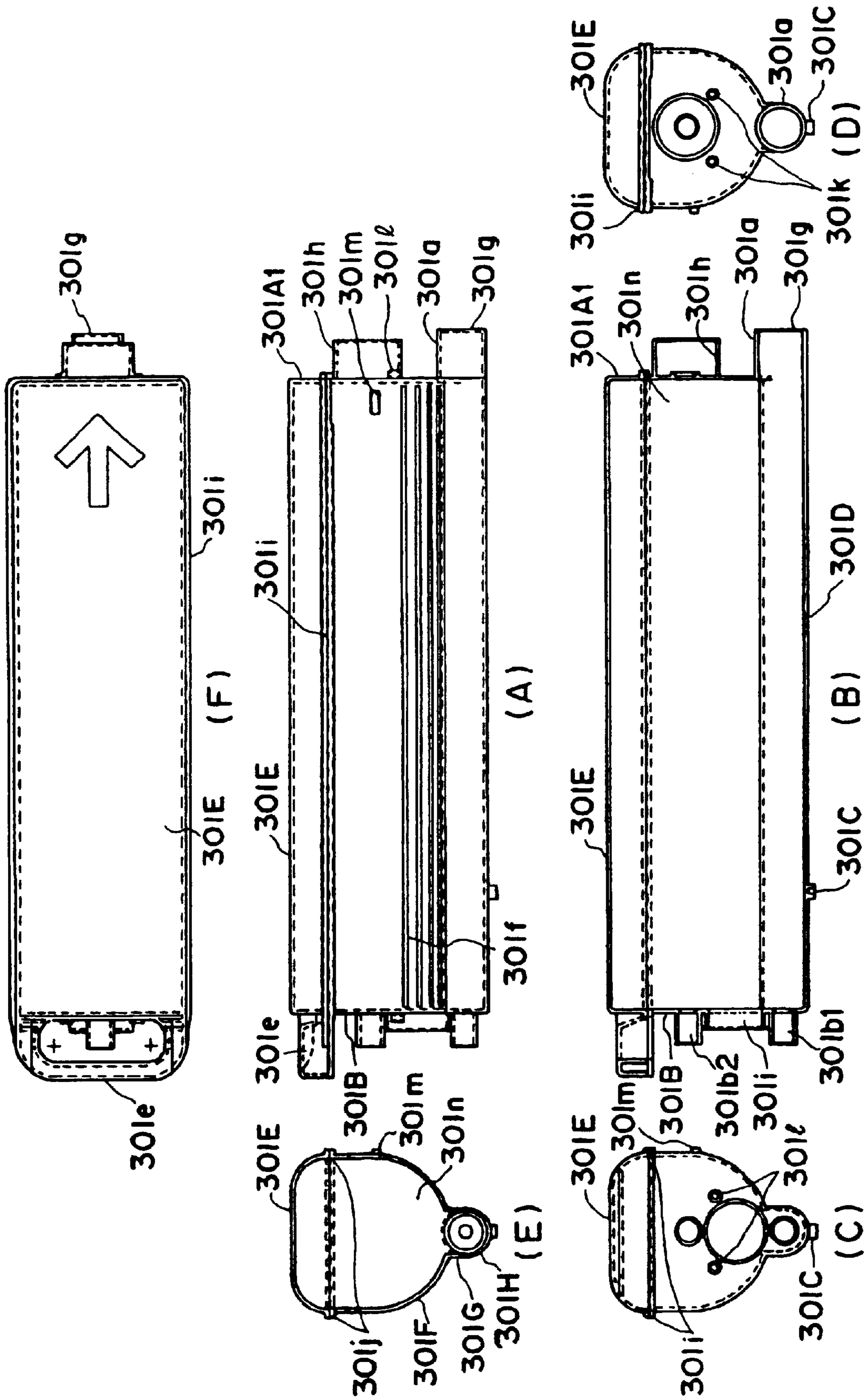


FIG. 26

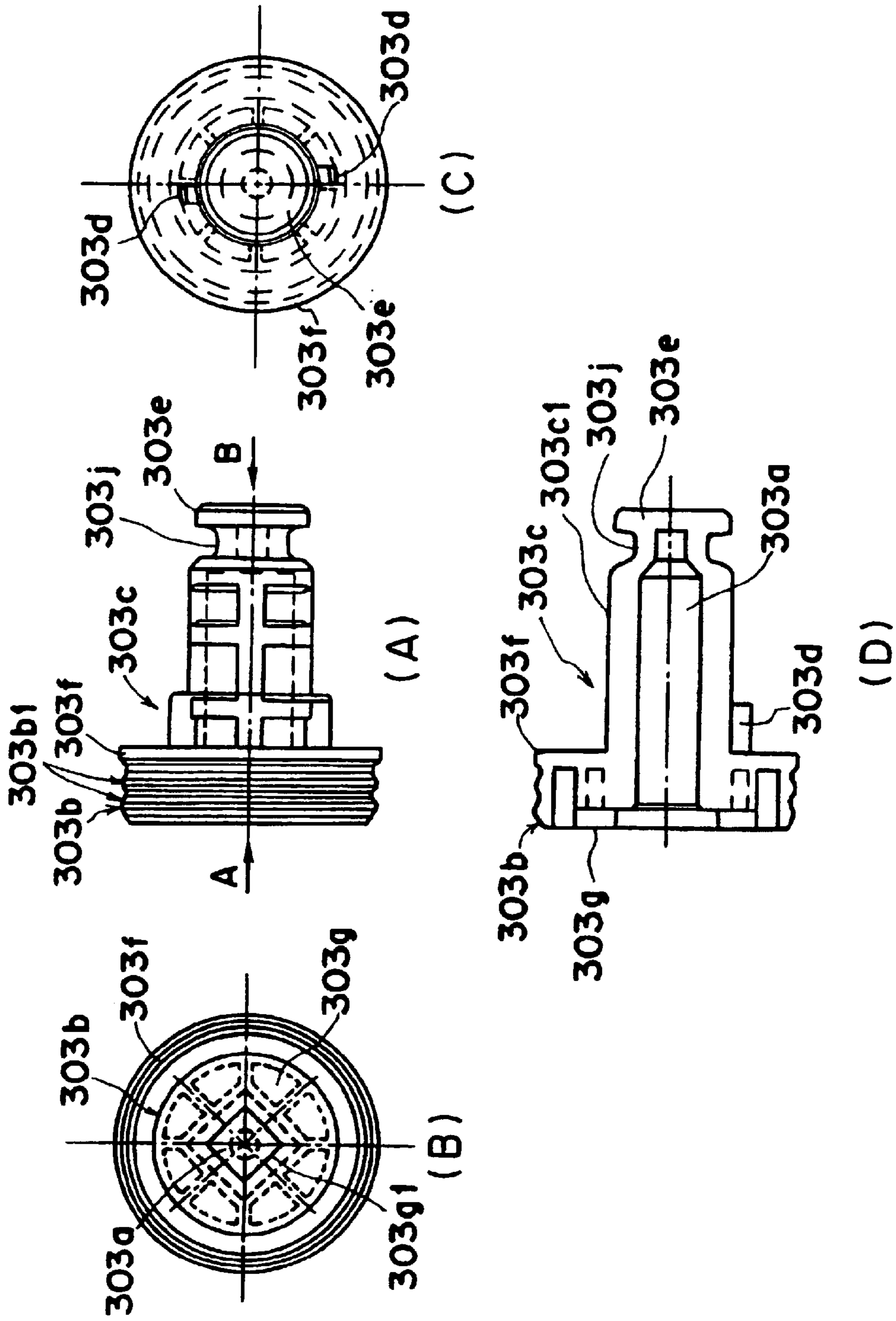


FIG. 27

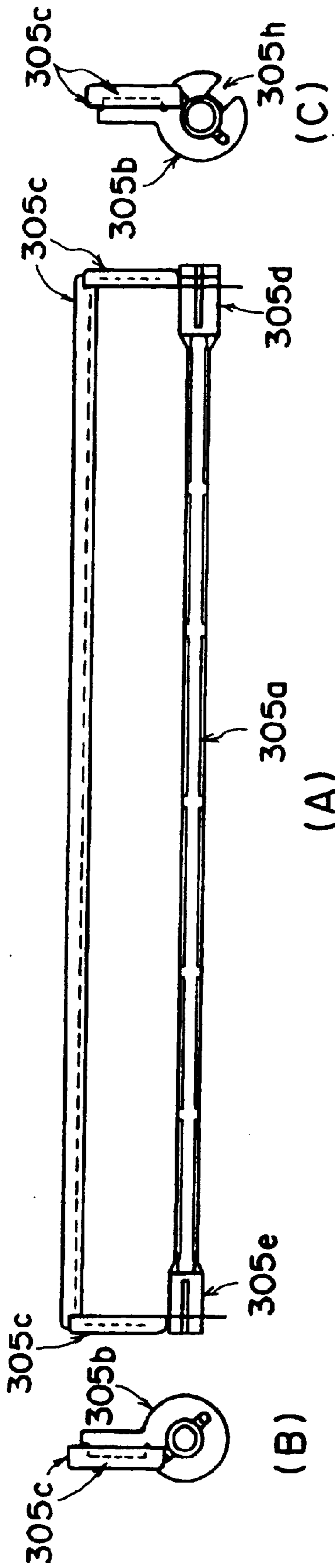


FIG. 28

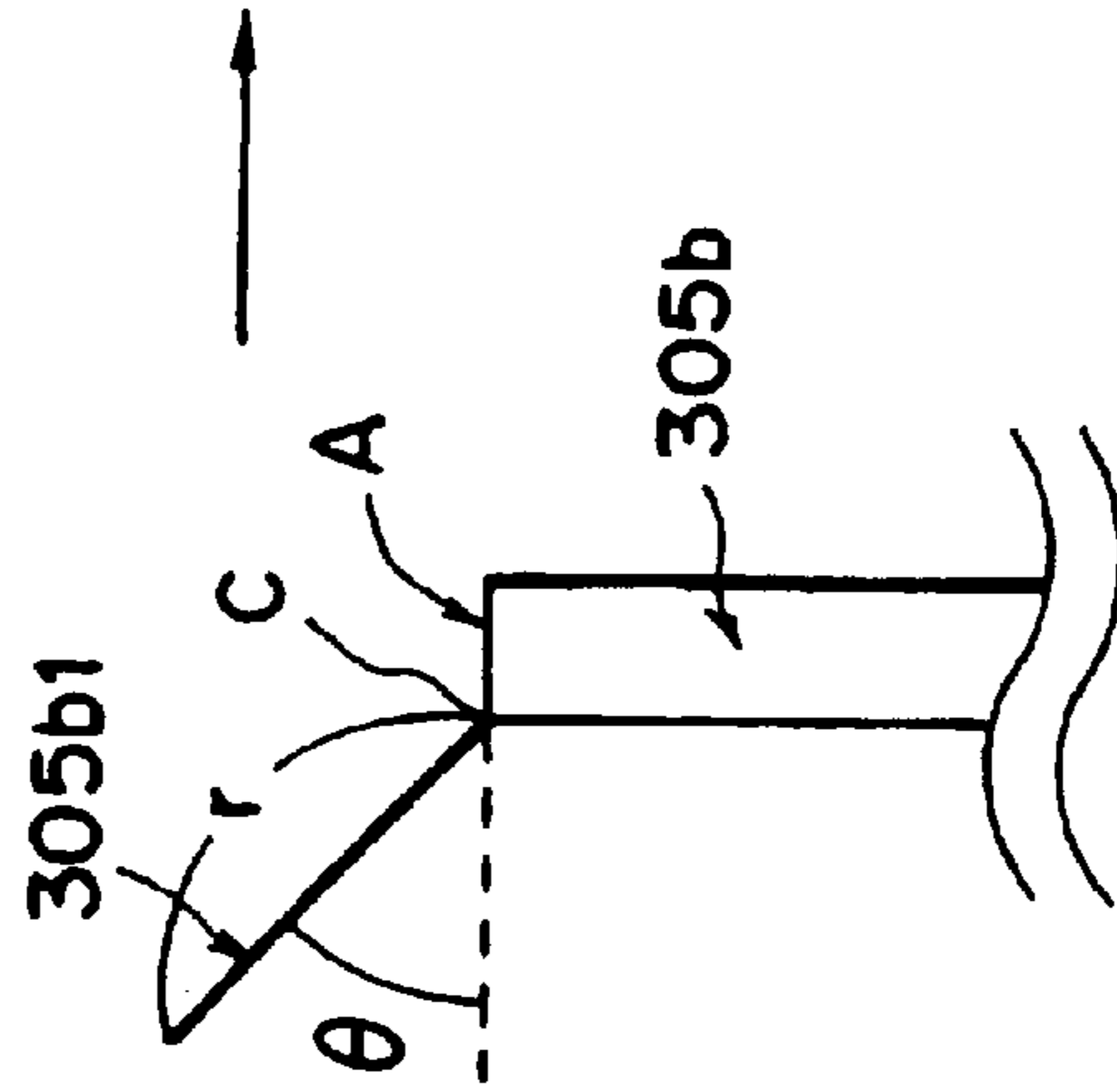


FIG. 29

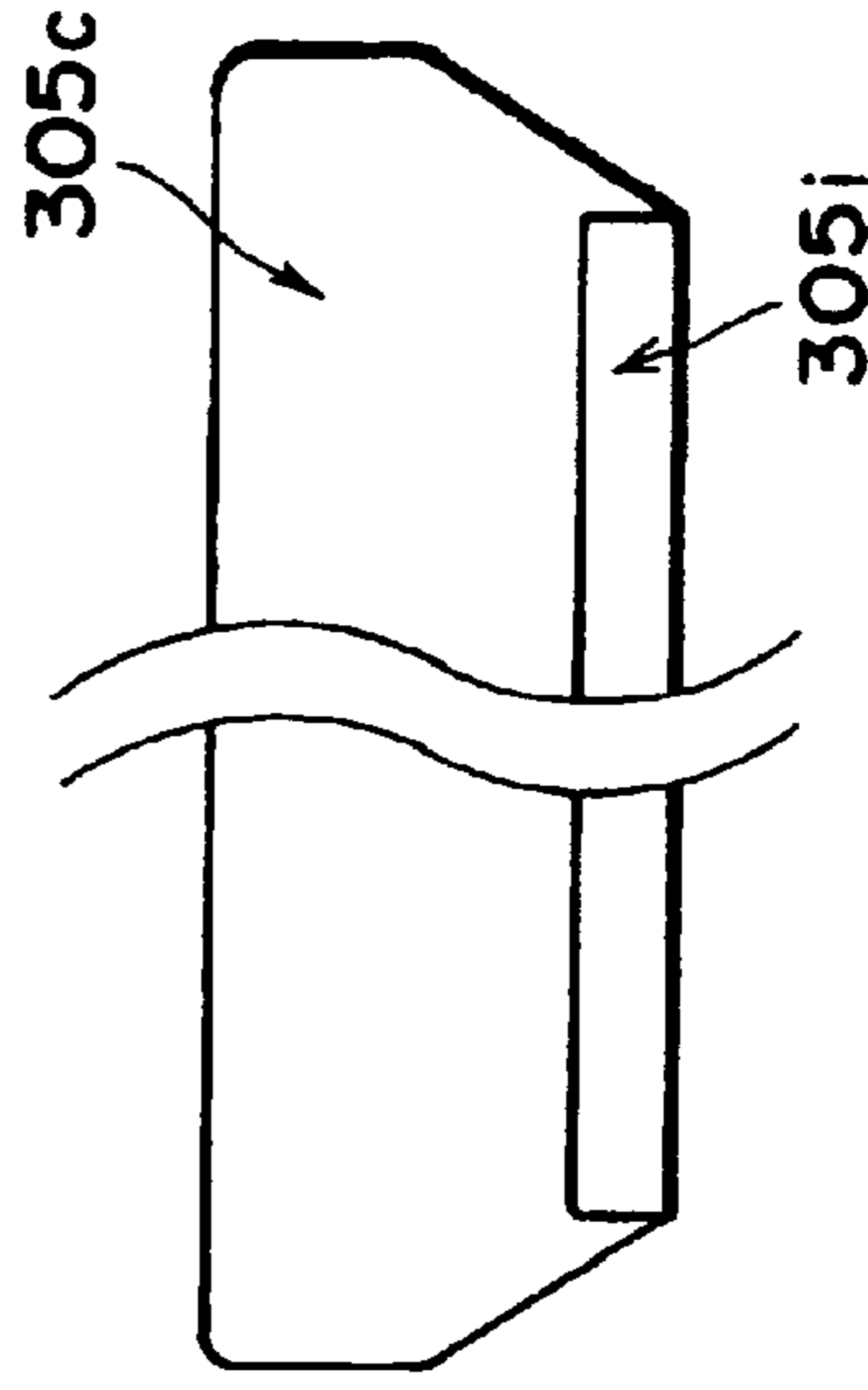


FIG. 30

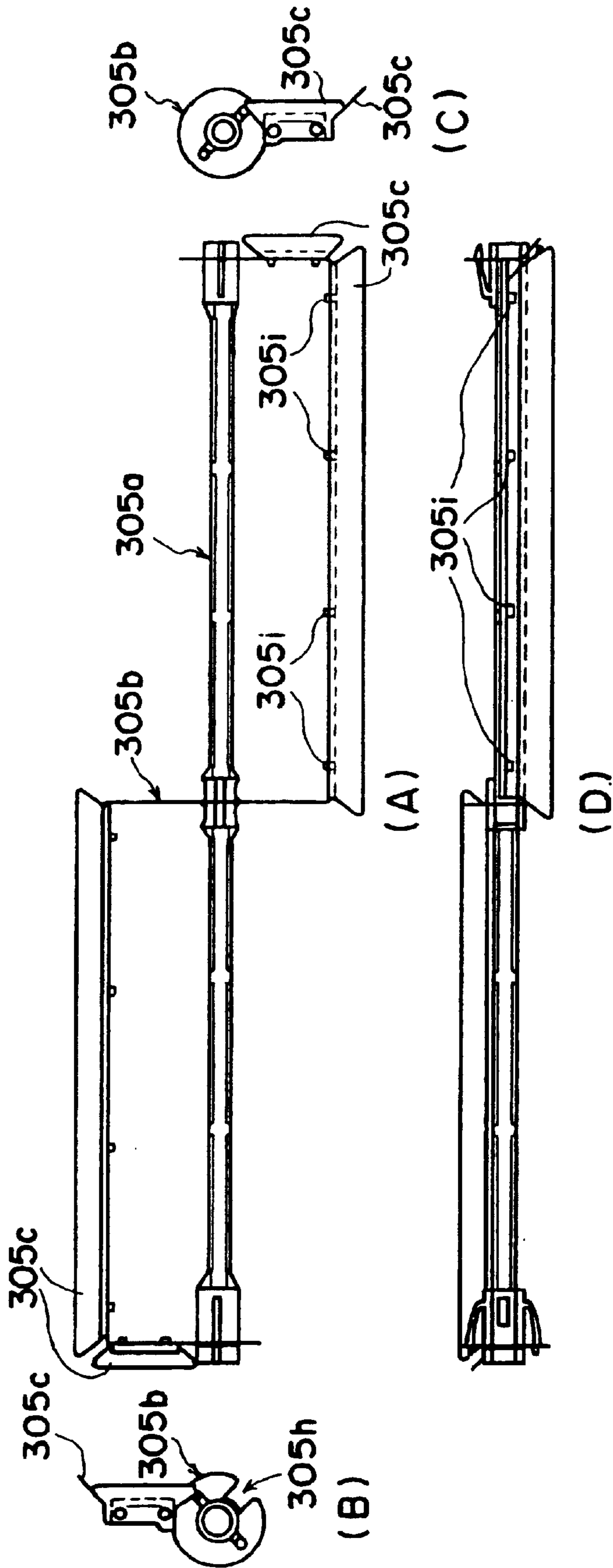


FIG. 31

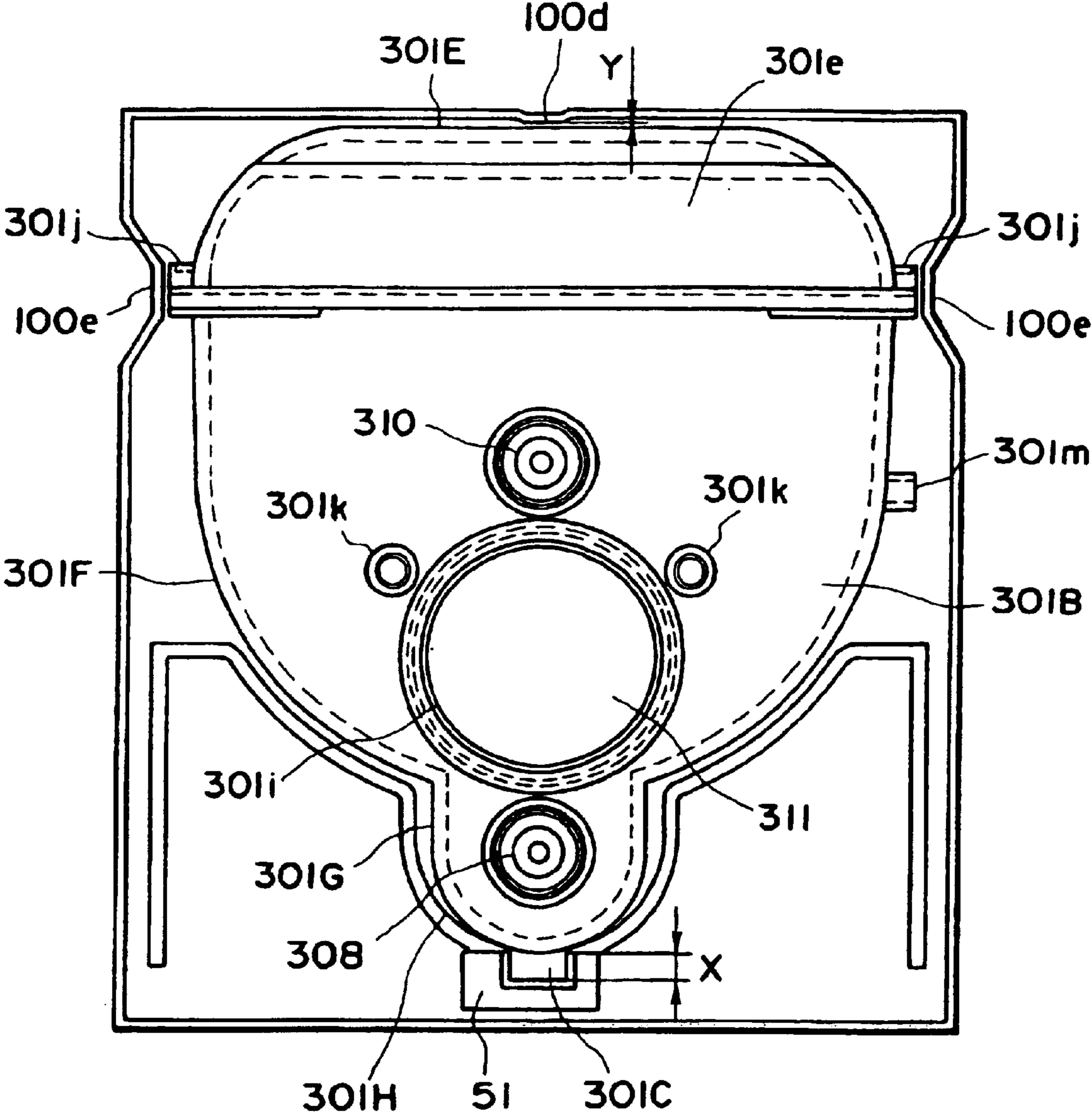


FIG. 32

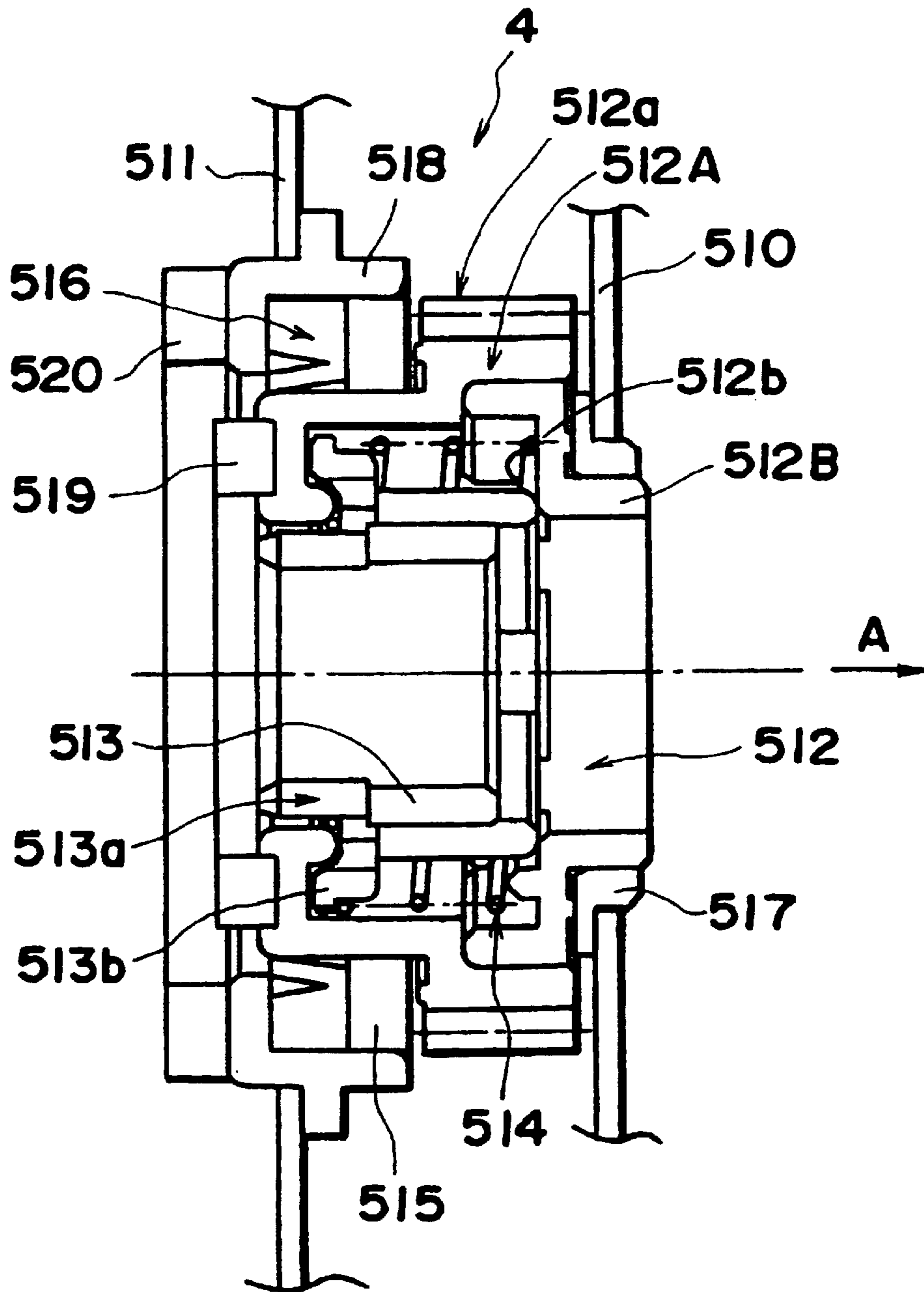


FIG. 33

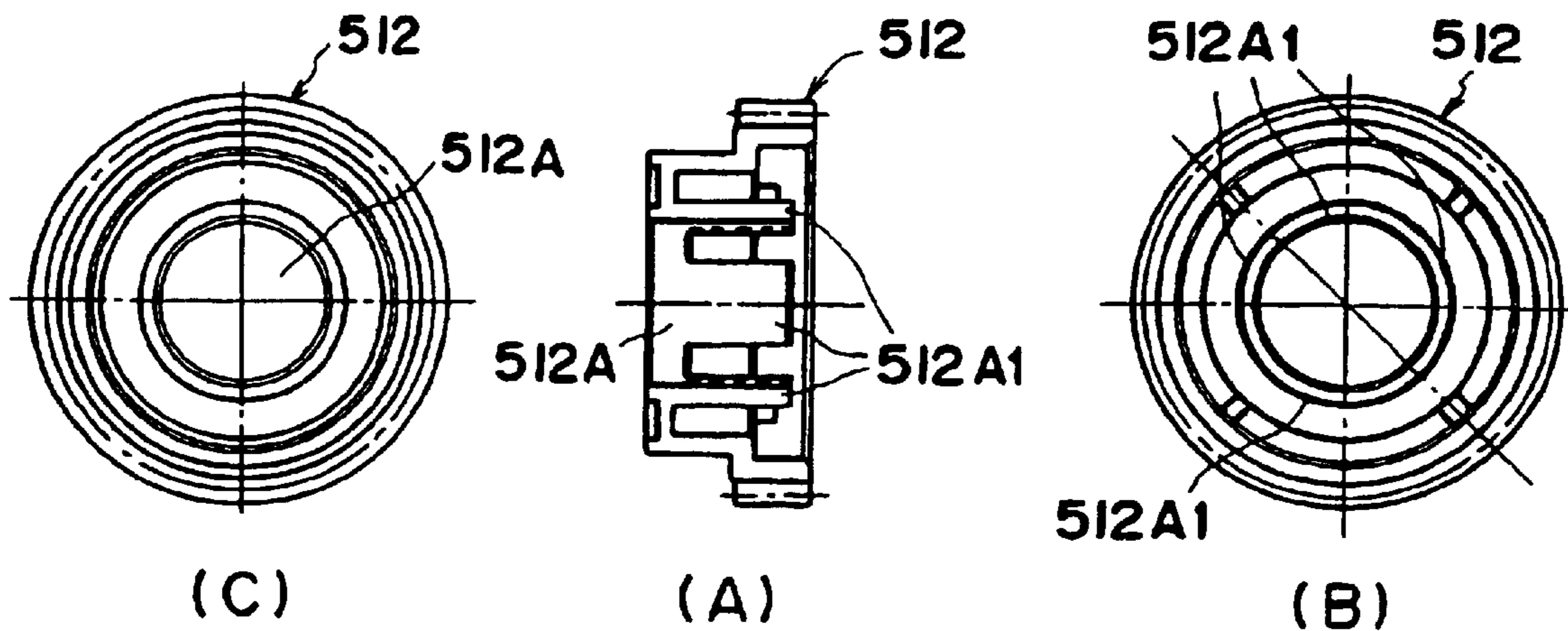


FIG. 34

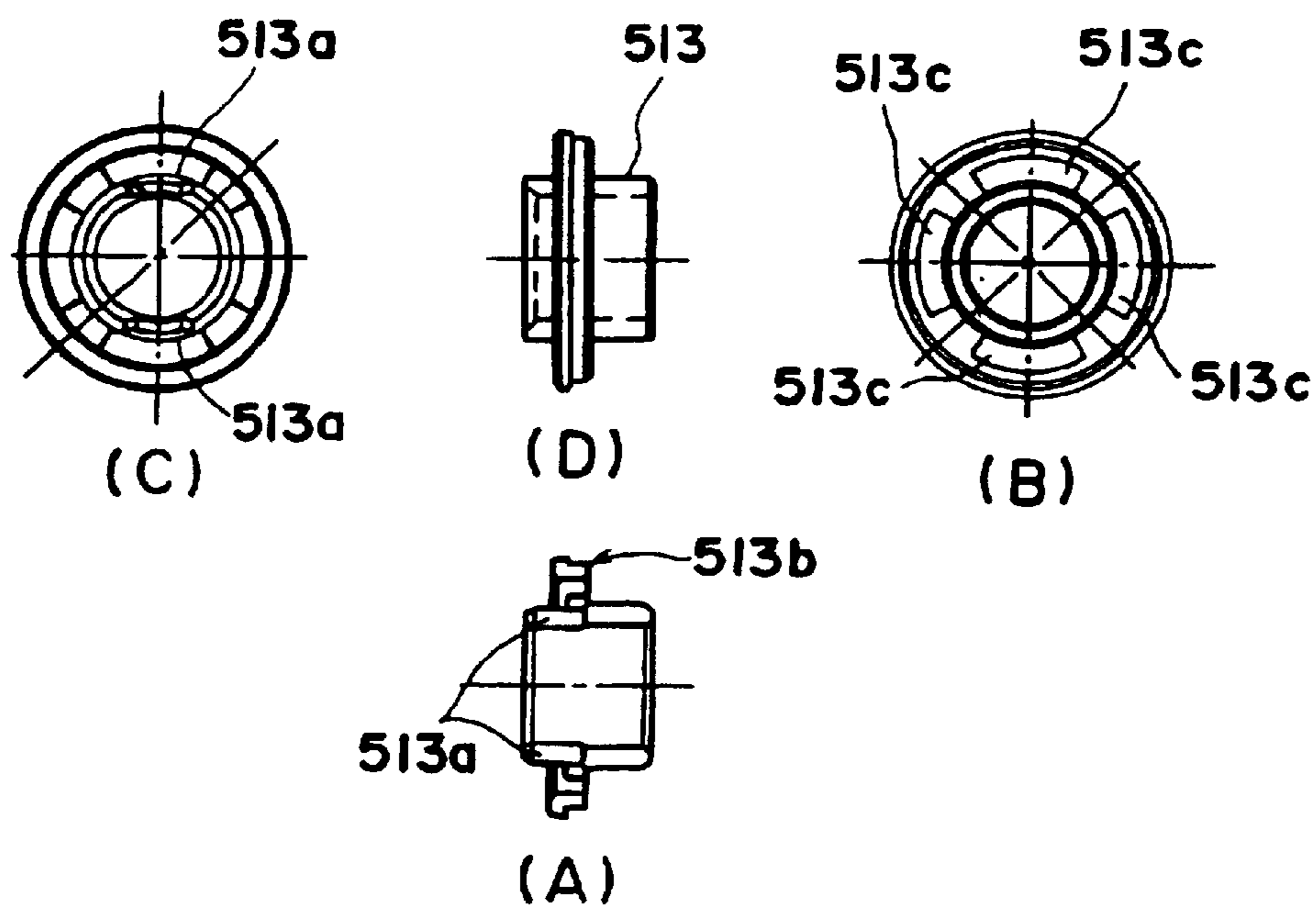


FIG. 35

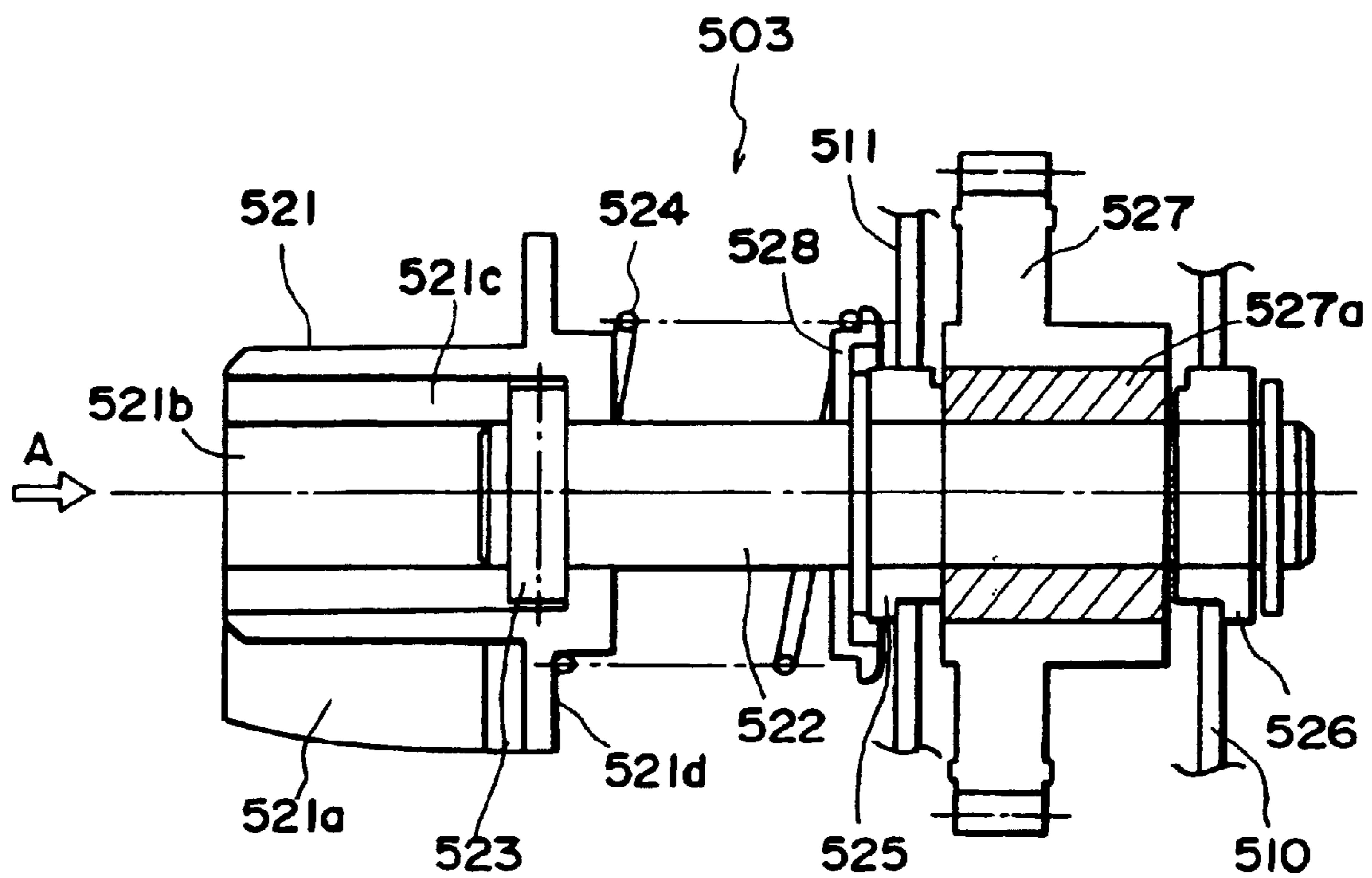


FIG. 36

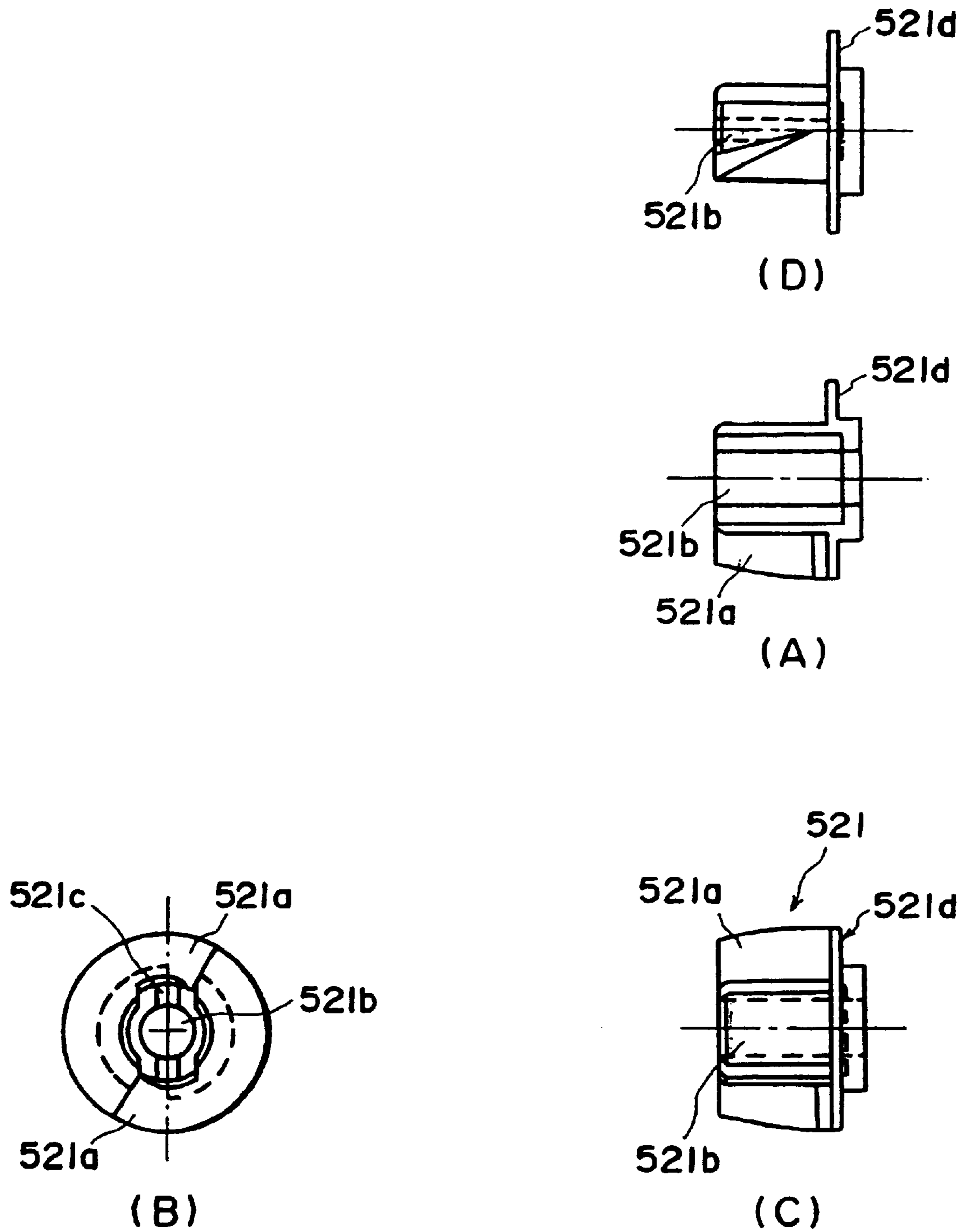


FIG. 37

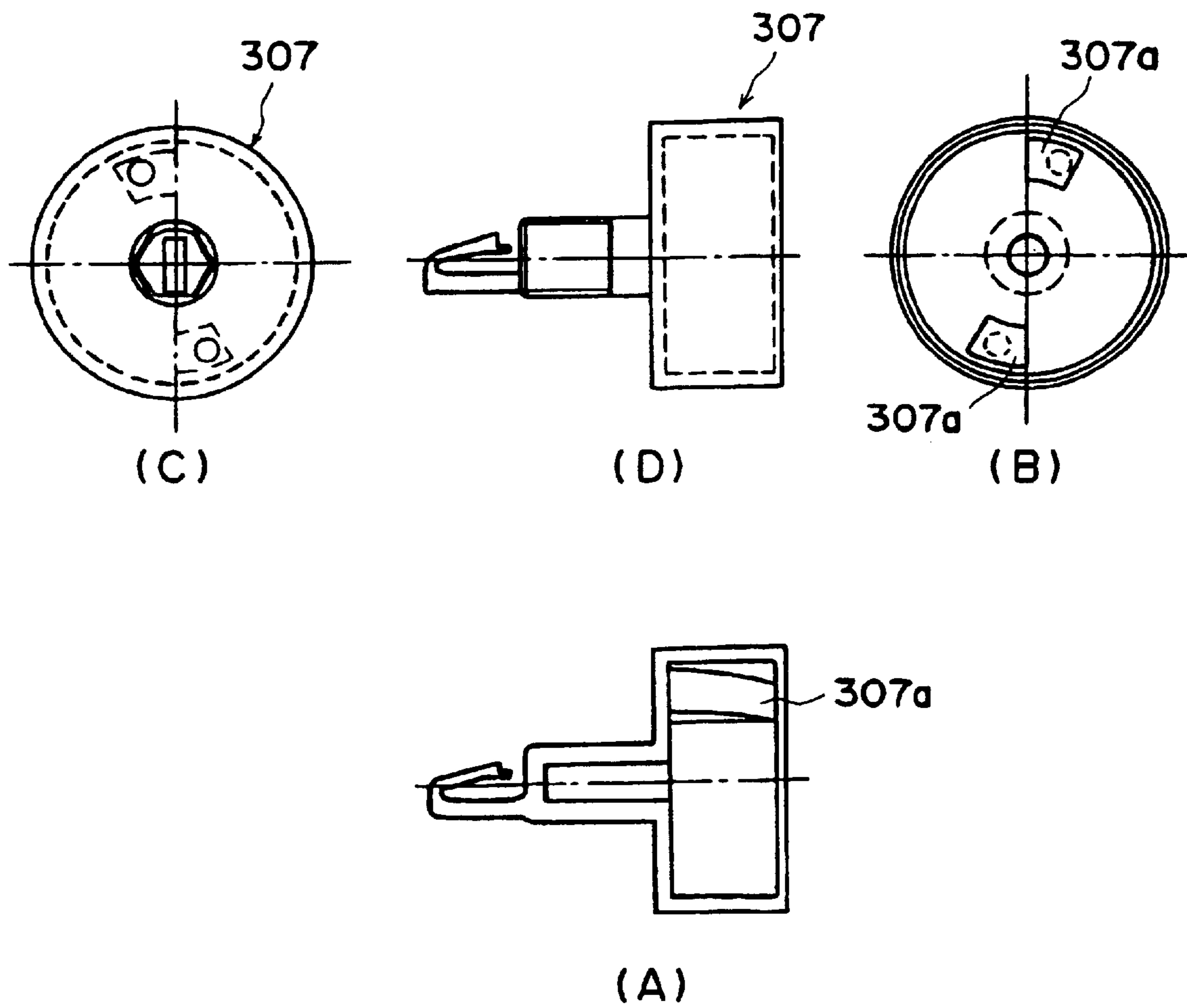


FIG. 38

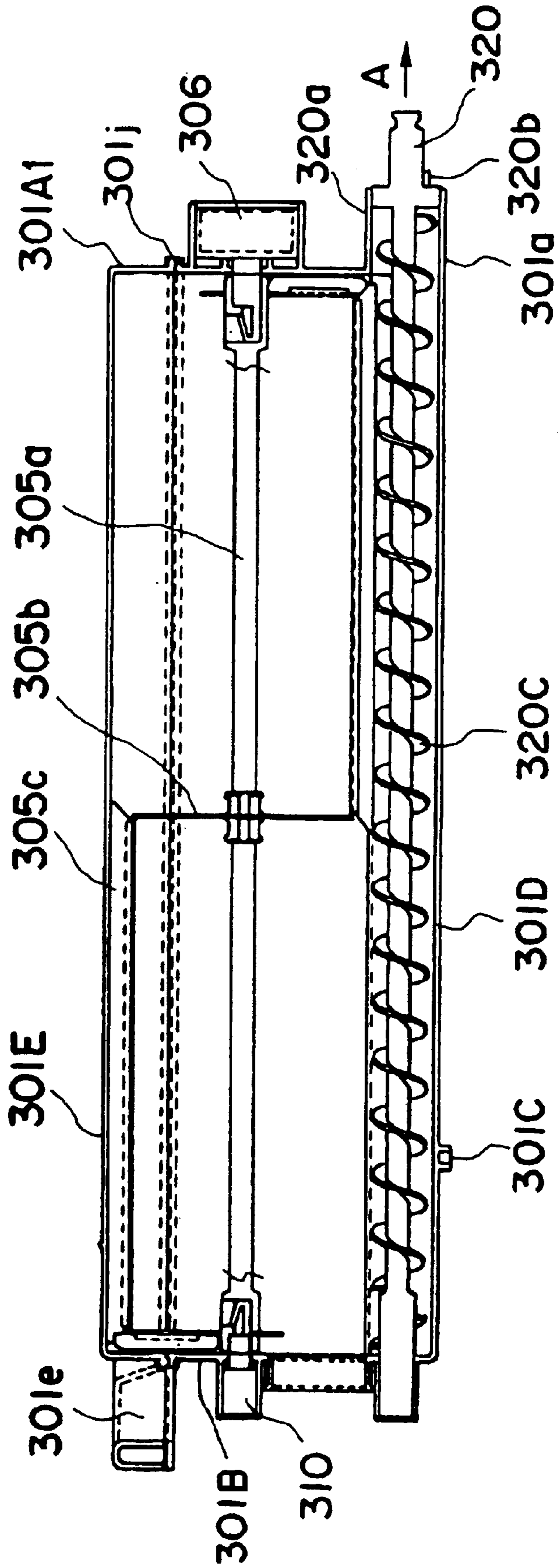


FIG. 39

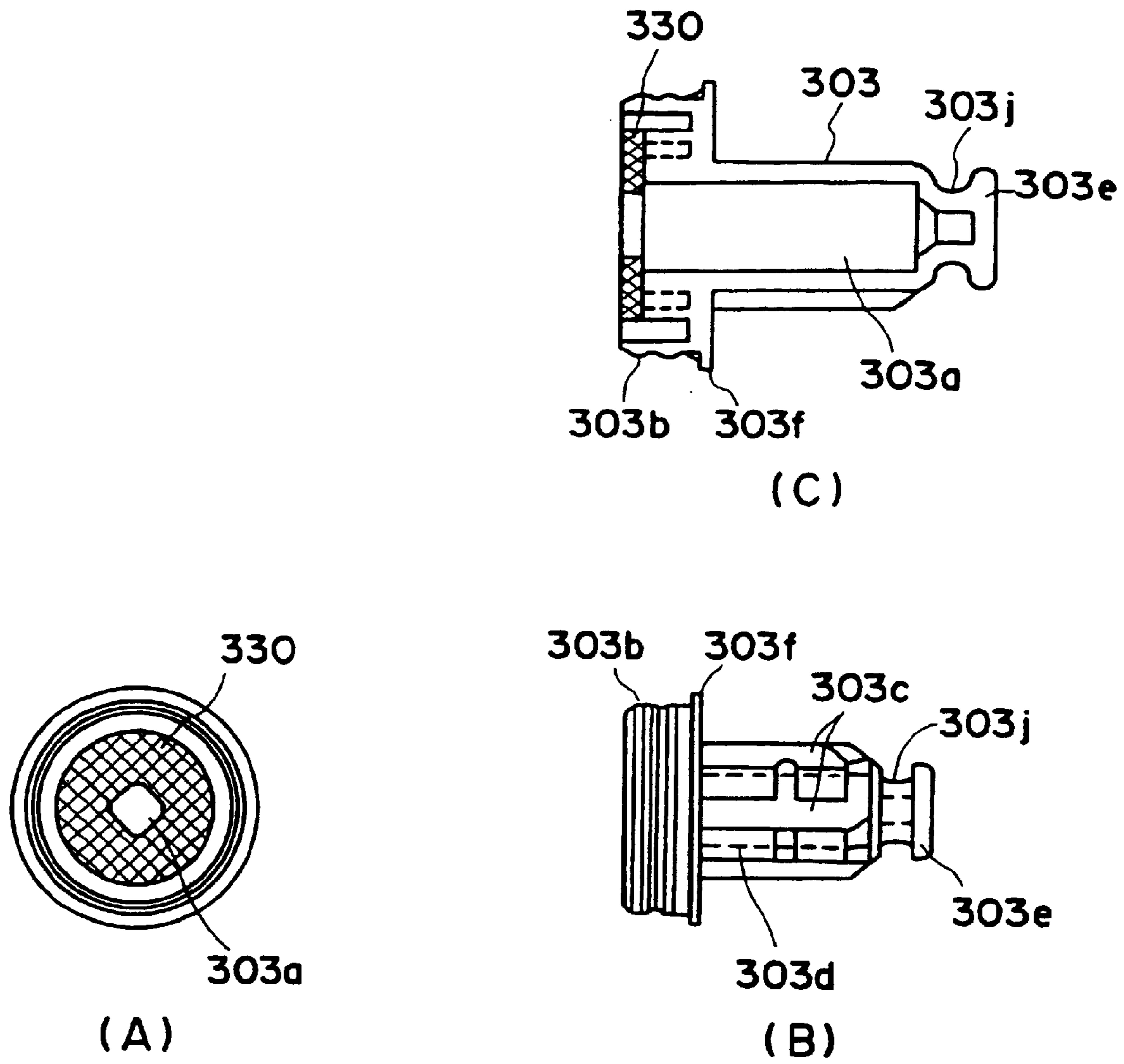


FIG. 40

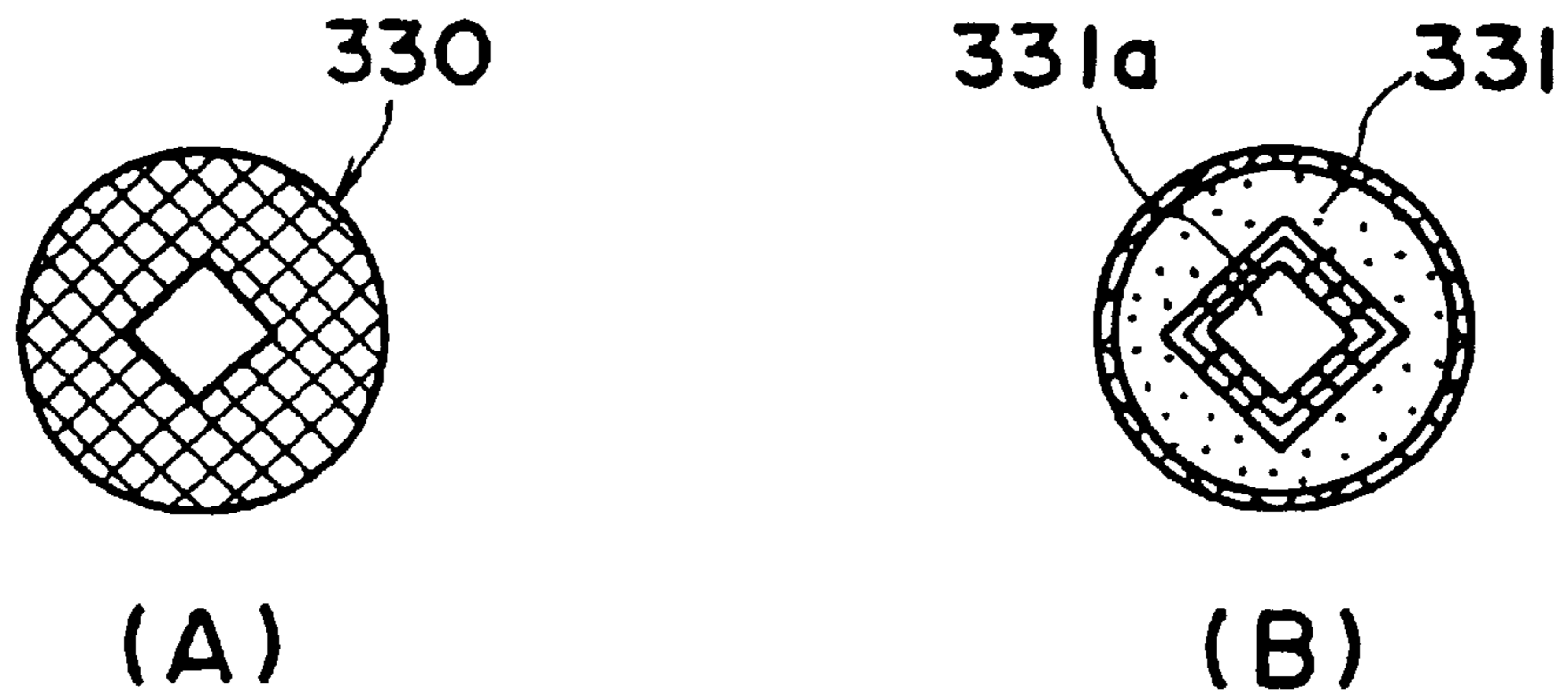


FIG. 41

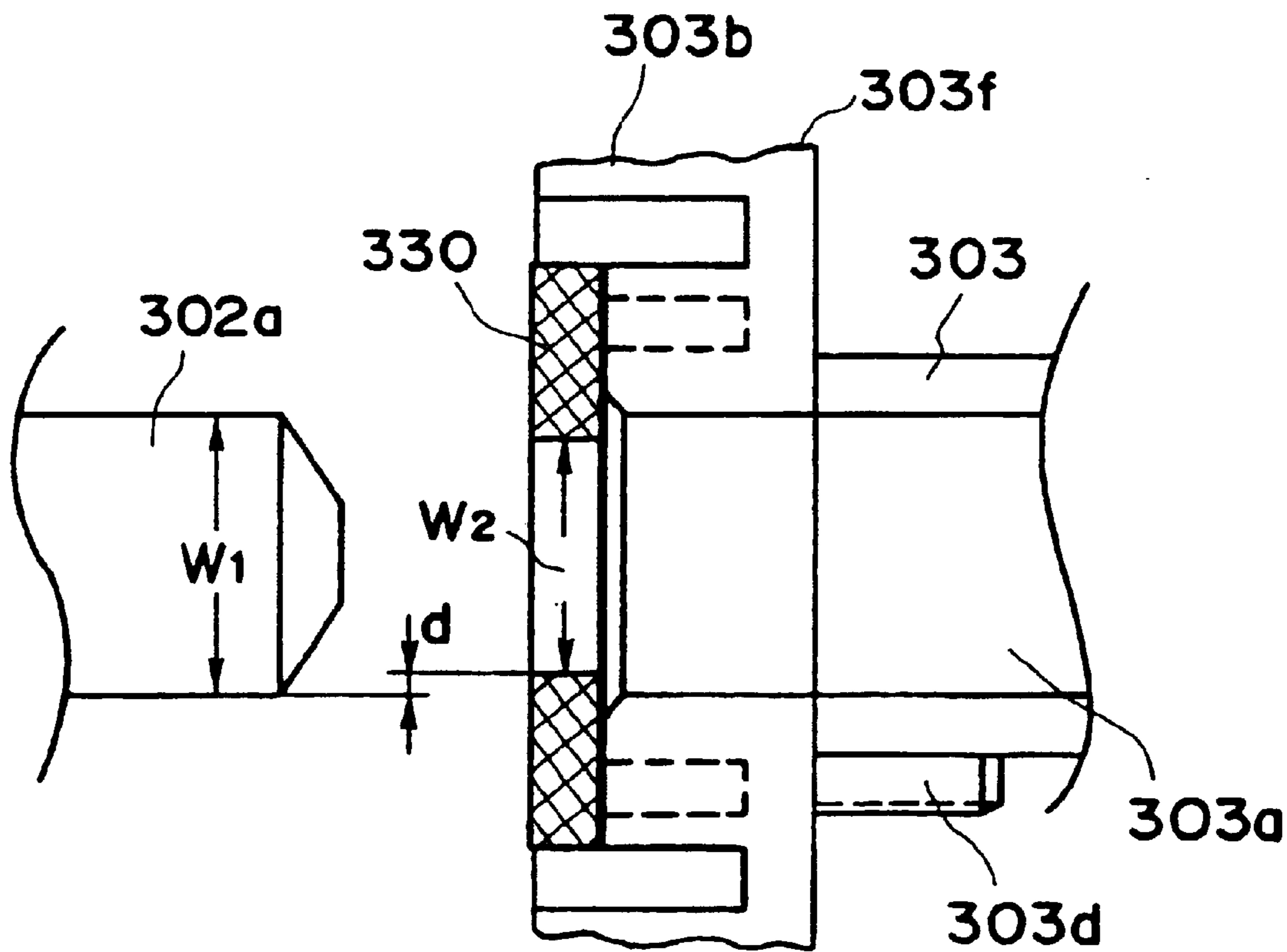


FIG. 42

1

**TONER SUPPLY CONTAINER DETACHABLY
MOUNTABLE TO A MAIN ASSEMBLY OF AN
ELECTROGRAPHIC IMAGE FORMING
APPARATUS AND A SEALING MEMBER
USABLE WITH THE TONER SUPPLY
CONTAINER**

Matter enclosed in heavy brackets [] appears in the original patent but forms no part of this reissue specification; matter printed in italics indicates the additions made by reissue.

FIELD OF THE INVENTION AND RELATED
ART

The present invention relates to a toner supply container detachably mountable to a main assembly of an electrophotographic image forming apparatus, a sealing member therefor and an electrophotographic image forming apparatus to which the toner supply container is detachably mountable.

The electrophotographic image forming apparatus forms an image on recording material using an electrophotographic image formation type process. Examples of an electrophotographic image forming apparatus include an electrophotographic copying machine, an electrophotographic printer (laser beam printer, LED printer or the like), a facsimile machine and a word processor.

Heretofore, an electrophotographic image forming apparatus, such as an electrophotographic copying machine or a printer, uses fine toner powder as a developer. When the developer in the main assembly of the apparatus is used up, the toner is supplied into the main assembly of the apparatus using a toner supply container.

Here, in a known system, since the toner is very fine powder or particles, the toner supply container is kept set within the main assembly of the apparatus, and the toner is discharged at a small rate through a small opening during the toner supply operation, so as to prevent toner scattering. In such a system, it is difficult to let the toner fall by gravity or the like, and therefore, some feeding means is required.

An example of a toner supply container provided with such a toner feeding means is disclosed in Japanese Patent Application Publication No. HEI-7-113796. The toner supply container is generally cylindrical, and one end portion thereof is provided with a relatively small opening for discharging the toner. In the container, there is provided a helical toner feeding member which receives a driving force from the outside, penetrating through a wall of the end of the container.

A bearing seal mechanism is necessary to prevent toner leakage through the through-hole at the end for the drive transmission. Generally, the seal mechanism includes a gear member provided at the end of the feeding member, and a seal is sandwiched between the gear member and the container wall surface. The seal is in many cases an annular wool felt, oil seal or the like.

The toner supply container is used while being kept in the main assembly of the apparatus, and the toner is fed by rotation of the toner feeding member driven from the main assembly, and the toner is discharged at a small rate through the opening.

On the other hand, another toner supply container having toner feeding means is disclosed in Japanese Laid-open Patent Application No. HEI-7-44000. The toner supply container is in the form of a cylindrical bottle, and the inside

2

surface thereof is provided with a helical rib, and a small toner discharging outlet is provided adjacent the center at one end.

The toner supply container, as contrasted to the above-described conventional example, does not have any inner feeding means, and is used while being kept in the main assembly of the apparatus, and the main body of the container itself is rotated by the main assembly to feed the toner. The toner fed to the end adjacent the discharging outlet is guided by an extended portion adjacent the opening to be raised toward the discharging outlet adjacent the center of the container, and then is discharged.

SUMMARY OF THE INVENTION

Accordingly, it is a principal object of the present invention to provide a toner supply container which is placed in a main assembly of an electrophotographic image forming apparatus and wherein the toner can be supplied into the main assembly with high reliability.

It is another object of the present invention to provide a toner supply container of the low-manufacturing-cost type.

It is a further object of the present invention to provide the toner supply container provided with a sealing member having a function of unsealably sealing a developer supply port and a function of driving a toner feeding portion.

It is a yet further object of the present invention to provide a sealing member usable with such a toner supply container and an electrophotographic image forming apparatus to which such a toner supply container is detachably mountable.

According to an aspect of the present invention, there is provided an apparatus according to a toner supply container detachably mountable to a main assembly of an electrophotographic image forming apparatus, comprising: (a) a toner accommodating portion for accommodating toner; (b) a toner supply opening for discharging toner accommodated in the toner accommodating portion; (c) a toner feeding member for feeding the toner accommodated in the toner accommodating portion toward the toner supply opening; (d) a sealing member including: a sealing portion for openably sealing the toner supply opening; and a driving portion for driving the toner feeding member.

These and other objects, features and advantages of the present invention will become more apparent upon a consideration of the following description of the preferred embodiments of the present invention taken in conjunction with the accompanying drawings.

BRIEF DESCRIPTION OF THE DRAWINGS

FIG. 1 is an illustration of an electrophotographic copying machine, which is an example of an electrophotographic image forming apparatus to which a toner supply container according to the present invention is mountable.

FIG. 2 is a perspective view of the electrophotographic copying machine.

FIG. 3 is an illustration of the toner supply container and the electrophotographic copying machine wherein the cover of the electrophotographic copying machine, for the exchange of the toner supply container, is opened to load the toner supply container.

FIG. 4 shows a toner supply container according to the first embodiment of the present invention, wherein (A) is a partially sectional front view thereof, (B) is a side view thereof, and (C) is a sectional side view thereof.

FIG. 5 is a sectional front view of the toner supply container which is mounted to the image forming apparatus, and is unsealed (opened).

FIG. 6A shows a sealing member for the toner supply container, wherein (B) is a front view thereof, (C) is a view taken along a line A or (B), and (D) is a view taken along a line B.

FIG. 7 shows the electrophotographic copying machine, wherein (A) is a side view thereof, (B) is a front view thereof, (C) is a top plan view thereof, wherein a cover for toner supply container exchange is opened.

FIG. 8 illustrates toner supplying portion opening and closing means and the parts therearound when the cover is open.

FIG. 9 illustrates toner supply port opening and closing means and the parts therearound when the cover is closed.

FIG. 10 shows a coupling member for the electrophotographic copying machine, wherein (A) is a front view thereof, (B) is a rear view thereof, and (C) is a sectional side view thereof.

FIG. 11 shows a feeding member, wherein (A) is a front view of the feeding member mounted to a shaft portion of the feeding member of the toner supply container, and (B) is a front view of a feeding member provided with a port.

FIG. 12 is a perspective view of a feeding member of a toner supply container according to a second example of the first embodiment of the present invention.

FIG. 13 illustrates an example of assembling of the feeding member according to the first embodiment.

FIG. 14 is a sectional view of a container and illustrates a toner discharging operation of the toner supply container according to an embodiment of the present invention.

FIG. 15 is a perspective view illustrating a toner discharging principle of the toner supply container according to this embodiment.

FIG. 16 illustrates a structure of the feeding member according to a second example of this embodiment.

FIG. 17 illustrates a structure of the feeding member according to a third embodiment.

FIG. 18 illustrates a structure of the feeding member according to a fourth embodiment.

FIG. 19 illustrates the toner supply port opening and closing means and the parts therearound when the cover of the electrophotographic copying machine is open.

FIG. 20 illustrates the toner supply port opening and closing means and the parts therearound when the cover of the electrophotographic copying machine is closed.

FIG. 21 shows a toner supply container according to a third embodiment, wherein (A) is a perspective view as seen from the side near a sealing member, and (B) is a perspective view as seen from the side near a handle.

FIG. 22 shows a toner supply container according to a third embodiment, wherein (A) is a front view thereof, (B) is a sectional view thereof, (C) is a left side view thereof, (D) is a right side view thereof, (E) is a sectional side view thereof, and (F) is a top plan view thereof.

FIG. 23 is a sectional front view of a toner supply container which is placed in the main assembly of the apparatus and a supply port of which is in the sealed state.

FIG. 24 is a sectional front view of a toner supply container which is placed in the main assembly of the apparatus and a supply port of which is in the unsealed state.

FIG. 25 shows a toner accommodating member according to the third embodiment, wherein (A) is a perspective view as seen from a side near a supplement port, and (B) is a perspective view as seen from a side near a handle.

FIG. 26 shows a toner accommodating member, wherein (A) is a front view thereof, (B) is a sectional view thereof,

(C) is a left side view thereof, (D) is a right side view thereof, (E) is a sectional side view thereof, and (F) is a top plan view thereof.

FIG. 27 shows a sealing member, wherein (A) is a front view thereof, (B) is a view taken along a line A, (C) is a view taken along a line B, and (D) is a sectional front view thereof.

FIG. 28 shows a stirring member, wherein (A) is a front view thereof, (B) is a left side view thereof, and (C) is a right side view thereof.

FIG. 29 is an enlarged side view of a rigid blade portion.

FIG. 30 is an enlarged view of a flexible blade portion.

FIG. 31 shows a stirring member according to another embodiment of the present invention, wherein (A) is a front view thereof, (B) is a left side view thereof, (C) is a right side view thereof, and (D) is a bottom view thereof.

FIG. 32 shows a toner supply container which is mounted in the main assembly of the apparatus.

FIG. 33 shows a detailed configuration of the first coupling member.

FIG. 34 is a detailed illustration of a gear portion.

FIG. 35 is a detailed illustration of a movable member.

FIG. 36 is a detailed illustration of a second coupling member.

FIG. 37 shows a drive transmission claw, wherein (A) is a sectional front view thereof, (B) is a side view thereof, (C) is a front view thereof, and (D) is a top plan view thereof.

FIG. 38 shows a transmitting member, wherein (A) is a sectional front view thereof, (B) and (C) are side views thereof, and (D) is a front view thereof.

FIG. 39 shows an example wherein the sealing member and the feeding member are integrally formed.

FIG. 40 shows a sealing member having a seal, wherein (A) is a front view thereof, (B) is a side view thereof, and (C) is a cross-sectional view thereof.

FIG. 41 shows a seal, wherein (A) is a front view of the main body of the container, and (B) is a front view of the sealing member.

FIG. 42 is an enlarged side view of the sealing member and the feeding member.

DESCRIPTION OF THE PREFERRED EMBODIMENTS

The embodiment of the present invention will be described in conjunction with the accompanying drawings.

Referring to FIG. 1, a description will first be provided with respect to a structure of an electrophotographic copying machine, which is an example of an electrophotographic image forming apparatus to which a toner supply container according to the present invention is mountable.

In FIG. 1, designated by **100** is a main assembly of the electrophotographic copying machine. Reference numeral **101** designates an original which is placed on an original supporting platen glass **102**. A light image corresponding to image, information, is formed on an electrophotographic photosensitive drum **104** through a plurality of mirrors **M** and a lens **Ln** of an optical portion **103**. Designated by **105-108** are cassettes. Among the cassettes **105-108**, the one containing the proper size sheets corresponding to the paper size of the original **101** or the information inputted by the user of the operating portion **100a** is selected. The recording material is not limited to paper, but may be an OHP sheet or the like.

5

The one sheet P fed by pick-up and separating device **105A–108A** is fed to a registration roller **110** through a feeding portion **109**, and is fed in synchronism with the rotation of the drum **104** and the scanning timing of the optical portion **103**. Designated by **111**, **112** are a transfer discharge device and a separation discharge device, respectively. The toner image formed on the drum **104** by a transfer discharging device **111** is transferred onto the sheet P. Then, the sheet P, now having a transferred toner image, is separated from the drum **104** by a separation discharge device **112**.

The sheet P is fed by a feeding portion **113** to a fixing portion **114** where the toner image on the sheet is fixed by heat and pressure, and thereafter, the sheet is passed through the sheet discharge/reversion portion **115** and is discharged to a sheet discharge tray **117** by sheet discharging rollers **116** in the case of operating in a one-sided copy mode. In the case of operating in a both-sided copy mode, the sheet is fed to the registration roller **110** through reflecting paths **119**, **120** under the control of the flapper **118** of the sheet discharge/reversion portion **115**, and is again fed in the same way as in the one-sided copy mode and is discharged to the sheet discharge tray **117**.

In the case of operating in a superimposed copy mode, the sheet P is passed through the sheet discharge reversion portion **115**, and is partly discharged by the sheet discharging roller **116** temporarily. Thereafter, the terminal end of the sheet P passes by the flapper **118**, and the flapper **118** is controlled when the sheet is still nipped by the sheet discharging roller **116**, and the sheet discharging roller **116** is reversed so that it is refeed into the apparatus. Then, the sheet is fed to the registration roller **110** through the refeeding portions **119**, **120** and is fed in the same way as in the one-sided copy mode to the sheet discharge tray **117**.

In the main assembly **100** of the apparatus, a developing station **201**, cleaner a station **202**, a primary charger **203** and the like are disposed around the drum **104**. The developing station **201** functions to develop with toner an electrostatic latent image formed on the drum **104** by the optical portion **103** on the basis of the information of the original **101**. A toner supply container **1** for supplying the toner to the developing station **201** is mounted to the main assembly **100** in the manner that the operator can mount and demount it. The developing station **201** has a toner hopper **201a** and a developing device **201b**. The toner hopper **201a** includes a stirring member **201c** for stirring the toner supplied from the toner supply container. The toner stirred by the stirring member **201c** is fed to the developing device **201b** by a magnet roller **201d**. The developing device **201b** includes a developing roller **201f** and a feeding member **201e**. The toner fed from the toner hopper **201a** by the magnet roller **201d**, is further fed to the developing roller **201f** by the feeding member **201e**, and then is supplied to the photosensitive drum **104** by the developing roller **201f**.

The cleaning station is provided to remove the toner remaining on the photosensitive drum **104**. The primary charger **203** functions to charge the photosensitive drum **104**.

When the operator opens, as shown in FIG. **3**, the cover **15** for exchanging the toner supply container, the cover being a part of the outer casing, the container receptor table **50** is drawn out to a predetermined position by a driving system (unshown). A toner supply container **1** is placed on the table **50**. When the user takes out the container **1** from the main assembly **100** of the apparatus, the toner supply container **1** is removed from the table **50** which has been

6

drawn out. The cover **15** is provided exclusively for mounting and demounting (exchanging) the toner supply container **1**, and is opened or closed only when the container **1** is mounted or demounted. For the maintenance of the main assembly **100**, a cover **100c** at the front side is opened.

The toner supply container **1** may be directly mounted to or demounted from the main assembly **100** without using the container reception table **50**.

Referring to FIGS. **4** and **5**, the toner supply container according to the first embodiment of the present invention will be described. In FIG. **4**, (A) is a partially sectional front view of the toner supply container of this embodiment. (B) is a side view of the toner supply container. (C) is a sectional side view of the toner supply container. FIG. **5** is a sectional front view wherein the toner supply container is loaded in the main assembly of the apparatus, and it has been unsealed.

In FIGS. **4** and **5**, designated by **1A** is a main part of the toner supply container (main body of the container). The powder toner is to develop the electrostatic latent image formed on the drum **104**, and may be one component toner, two component toner or another. Designated by **2** is a feeding member for supplying the powder toner accommodated in the main body **1A** of the container to the toner hopper **201a** which is a receiving portion mounted to the main assembly **100**. Designated by **3** is a sealing member designated by, **4** is a coupling member, and denoted by **9** is a toner receiving port provided in the toner hopper **201a** in the main assembly **100**. The toner discharged from the toner supply container **1** is fed into the toner hopper **201a** from the receiving port **9**. The structure may be such that toner discharged from the toner supply container **1** is fed directly into the developing device **201b** not through the toner hopper **201a**.

The main body **1A** of the toner supply container includes a curved portion **1F** having a width which decreases toward the bottom, and a flat surface portion **1G** having a substantially constant width, and an arcuate configuration portion **1H** extending down from the flat surface portion. Here, the term "lower portion" refers to the portion which assumes the lower portion of the device when the toner supply container **1** is mounted to the main assembly **100** of the apparatus, and the bottom surface, the upper surface, the lower surface and the side surface are the surfaces which are the bottom surface, the upper surface, the lower surface and the side surface when the toner supply container **1** is mounted to the main assembly **100**. The toner supply container **1** is shown in the same position as when it is mounted to the main assembly of the apparatus in FIGS. **4**, **5**, **14**, **15**, **16**, **21**, **22**, **23**, **24**, **25**, **26** and **39**.

On a lower portion of a side surface **1A1** of the main assembly **1A** of the container, a cylindrical toner supply port portion **1a** for supplying the toner accommodated in the toner accommodating portion **1n** into the main assembly of the apparatus, is formed as a projection. At one end portion of the toner supply port portion **1a**, a toner supply port **1g** is provided. A receiving portion **1b** is formed to rotatably support the feeding member **2** at a position corresponding to the toner supply port portion **1a** in the other side surface **1B**. At an outside of the bottom surface **1D**, there is provided an engaging portion **1c** for engagement with an opening and closing means for the toner supply port, which is provided in the main assembly **100** and which will be described hereinafter, to move the toner supply container **1** in the mounting and demounting direction. In this embodiment, the engaging portion **1C** is in the form of a dowel projected

outwardly from the bottom surface 1D. The upper surface 1E is provided with a recess 1e for providing a grip for facilitating the use by the operator when the toner supply container 1 is mounted to the main assembly 100 of the apparatus and when it is demounted from the main assembly 100. On the front side and the lower inclined surface 1 of the back side, ribs 1f are extended parallel to each other to facilitate the handling of the main body 1A of the container when the user mounts the toner supply container 1 into the main assembly 100.

The main body 1A of the container may preferably be produced through injection molding, blow molding, injection blow molding or the like, of a plastic resin material, but another manufacturing method and/or material is usable. The main body 1A may be divided into two or more parts, and the manufactured parts may be welded or bonded to unify them.

In this embodiment, an upper frame and a lower frame which are manufactured respectively through injection molding of high impact polystyrene, are joined together by vibration welding.

On the other hand, the feeding member 2 functions to feed the toner accommodated in the main body 1A to the toner supply port 1g. The feeding member 2 includes, as shown in FIG. 5, a shaft portion 2A, and a rigid helical feeding blade 2B on the shaft portion 2A which functions as a feeding portion for feeding the powder toner in a predetermined direction by rotation of the shaft portion 2A. The feeding member 2 is mounted to the main body 1A of the container with the axis of the shaft portion 2A substantially coaxial with the center of the toner supply port 1g.

The feeding member 2 is not limited to a so-called screw type of this embodiment, but may be flexible blades mounted on the shaft portion 2A, for example. The shaft portion and the blades may be integrally molded. In this embodiment, the shaft portion 2A and the blades 2B are made of plastic resin material and are integrally molded.

In this embodiment, the feeding member 2 includes an extending portion 2C which extends into the cylinder portion of the toner supply port portion 1a. In this embodiment, the extending portion 2C is projected outwardly from the toner supply port portion 1a. The free end portion of the extending portion 2C projected outwardly receives a rotation force from the main assembly 100 of the apparatus. To accomplish this, the free end portion is provided with a sealing member 3 which is movable in the axial direction.

As will be described in detail hereinafter, the sealing member 3 has four functions in this embodiment. More particularly, the four functions are (1) to seal the toner supply port portion 1a; (2) to receive the rotation force transmitted from the main assembly 100; (3) to transmit the rotation force to the feeding member 2; and (4) to engaged with an engageable member 6 provided in the main assembly of the apparatus to open and close the toner supply port portion 1a. The driving force received by the sealing member 3 from the main assembly 100 is transmitted to the shaft portion 2A through the extending portion 2C to rotate the feeding member 2.

The one end portion 2a of the extending portion 2C has a configuration which can receive the rotation force through the sealing member 3 from the main assembly 100, and it is H-shaped in this embodiment. The one end portion of the shaft portion 2A is supported by a sealing member 3 through a one end portion 2a of the extending portion 2C. The other end portion 2b of the shaft portion 2A is rotatably engaged with a receiving portion 1b of the main body 1A of the

container, so that feeding member 2 is rotatable when the container is unsealed.

The feeding member 2 is supported by the sealing member 3 in such a manner that feeding blade 2B is out of contact with the internal wall surface 1a1 of the toner supply port portion 1a and that shaft portion 2a and the internal wall surface of the toner supply port portion 1a are substantially horizontal. By supporting the feeding member 2 in such a manner, the toner can be fed substantially horizontally toward the toner supply port 1g when the feeding member 2 is rotated. If the fine toner particles are sandwiched between the internal wall surface 1a1 of the toner supply port portion 1a and the feeding blade 2B and are rubbed therebetween, the toner may be fused on the internal wall surface 1a1, or the toner may be aggregated. These actions can be avoided.

The feeding member 2 may preferably be manufactured through injection molding or the like from a plastic resin material, as has been described, but another method or material is usable. It may be divided into a plurality of parts which are separately manufactured, and then are joined.

Referring to FIG. 6, the sealing member 3 will be described. In FIG. 6, (A) is a front view of the sealing member; (B) is a perspective view as seen in the direction A in (A); (C) is a view in the direction B in (A); and (D) is a sectional front view.

In (A)-(D) of FIG. 6, designated by 3b is a sealing portion, provided at its side closer to the toner supply container, for openably sealing the toner supply port 1g of the toner supply container 1. The outer diameter of the sealing portion 3b is larger than the inner diameter of the toner supply port 1g. Therefore, the sealing member 3 seals the toner supply port 1g by press-fitting the engaging portion 3b1 of the sealing portion 3b into the toner supply port portion 1a through the toner supply port 1g.

Designated by 3c is a coupling engaging portion which functions as a driving force receiving portion for receiving a driving force for rotating the feeding member 2 from the main assembly 100 of the apparatus when the toner supply container 1 is mounted to the main assembly 100. The coupling engaging portion 3c is provided with a projected portion 3c1 extended coaxially with the shaft portion 2A of the feeding member 2 in the direction away from the main body 1A from the sealing portion 3b (when the sealing member 3 is mounted to the main body 1A of the container). The coupling engaging portion 3c is provided with elongated spline projections (rib) 3d on the peripheral surface of the projected portion 3c1, which projections function as a driving force receiving portion engageable with the coupling member 4. In this embodiment, four of such spline projections are provided circumferentially equidistantly.

The sealing member 3 is provided with an engaging hole 3a functioning as a driving force transmitting portion for transmitting, to the feeding member 2, the driving force from the main assembly 100 by engagement with one end portion 2a of the feeding member 2, and the engaging hole 3a is in the form of an opening (hole) formed in the sealing portion 3b and the coupling engaging portion 3c. The engaging hole 3a is H-shaped corresponding the H-shape of the shaft end 2a of the feeding member 2 projected from the powder toner supply portion 1a, and is slightly larger than that of the shaft end 2a. By this, the shaft end 2a is loosely engaged with the engaging hole 3a.

By the shaft end 2a loosely engaged with the engaging hole 3a, the feeding member 2 and the sealing member 3 are locked with each other in the rotational direction of the feeding member 2, while being movable relative to each

other in the thrust direction. Thus, the sealing member **3** can be separated from the main body **1A** of the container when the toner supply container is mounted to the main assembly, as will be described hereinafter, so that unsealing (opening) of the powder toner supply port **1g** is accomplished.

The engagement length between the shaft end **2a** and the engaging hole **3a** is long enough to prevent disengagement between the sealing member **3** and the main body **1A** of the container when the sealing member **3** is moved away from the main body. Therefore, even if the sealing member **3** is moved away from the main body **1A** of the container, the feeding member **2** can receive the driving force through the sealing member **3** (coupling engaging portion **3C**).

Between the coupling engaging portion **3c** and the sealing portion **3b**, there is provided a flange portion **3f** abutting the end of the portion **1a** for the toner supply when the sealing portion **3b** is press-fitted into the port **1a**. The outer diameter of the flange portion is substantially equal to the outer diameter of the toner supply port portion **1a**. By the flange portion **3f**, the sealing portion **3b** is press-fitted into the toner supply port portion **1a** through a distance corresponding to the length of the engaging portion **3b1**.

Designating by **3e** is a locking projection **3q** functioning as a locking portion which is formed at an end of a coupling engaging portion and which is to be engaged with the locking member **6** in the main assembly **100** (FIG. **5**), and by engagement between the locking projection **3e** and the locking member **6**, the sealing member **3** can be fixed when the powder toner supply port **1g** is unsealed.

The sealing member **3** having such a structure may preferably be manufactured by injection molding of a resin material or the like, but another method and/or material is usable. The sealing member **3** is required to have a proper elasticity to press-fit in the toner supply port **1a** and seal the port. The material is preferably a low density polyethylene, and other usable examples include polypropylene, high density polyethylene or the like.

As assembling method of the toner supply container **1** will be described.

In the assembling method of the toner supply container **1**, the feeding member **2** is inserted into the lower portion of the main body **1A** of the container through the toner supply port **1g** (FIG. **5**). Then, the predetermined amount of the toner (unshown) is filled into the main body **1A**, and finally, the toner supply port **1g** is sealed by a sealing member **3**, by which the toner supply container **1** is accomplished. Thus, the assembling of the toner supply container **1** of this embodiment is very simple and easy, and the number of the manufacturing steps is very small.

The toner may be filled through the toner supply port **1g**; alternatively, an additional toner filling port (unshown) may be formed at a proper portion of the main body **1A** of the container, and the toner may be filled through the toner filling port, which is then sealed. Further alternatively, the main body **1A** of the container may be divided into two or more parts, which are joined together after the toner is filled. Where the toner supply port **1g** of the integrally formed main body **1A** is also used a filling port, no additional cap or joining step after the filling is necessary.

In the toner supply port portion **1a**, the feeding member **2** is extended, and therefore, it is preferable to have a size sufficient to permit smooth discharging of the toner. A description will be provided as to the ratio of the cross-sectional area of the lower supply port portion **1a** and the cross-sectional area of the passing portion (shaft portion **2A**) of the feeding member **2**. The cross-sectional area of the

toner supply port portion **1a** is preferably not less than twice the cross-sectional area of the shaft portion **2A** of the feeding member **2**, and further preferably, not less than three times, and even further preferably not less than five times.

5 In this embodiment, it is about three times. In this embodiment, the toner supply port portion **1a** is cylindrical, and therefore, the inner diameter of the toner supply port portion **1a** is about three times the outer diameter of the shaft portion **2A** of the feeding member **2**.

10 On the other hand, if the inner diameter of the toner supply port portion **1a** is too large, the toner contamination around the toner supply port **1g** is significant, and the maintenance of the hermeticity during transportation or in the case of ambient condition change, may be difficult. Therefore, the inner diameter of the toner supply port portion **1a** is preferably not more than 40 mm. In this embodiment, it is approximately 24 mm.

A description will be provided as to an exchanging method of the toner supply container.

20 When the toner is entirely consumed from the toner supply container **1** with the image formations, toner supply container emptiness detecting means (unshown) provided in the main assembly **100** of the apparatus detects it, and displays the event to the user on displaying means **100b** (FIG. **2**) such as a liquid crystal display.

In this embodiment, the toner supply container **1** is exchanged by the user through the following steps.

30 As shown in (A) and (B) of FIGS. **2** and **7**, the cover **15**, which is at the time closed, is opened by rotating it about the hinge **18** to a position as shown in FIG. **3(C)**. The main body **1A** is moved by toner supply portion opening means, which will be described hereinafter, in interrelation with the opening of the cover **15**, and the sealing member **3** (FIG. **9**) which is at the open position away from the main body **1A** to open the toner supply port **1g**, is press-fitted into the toner supply port portion **1a**, by which the toner supply port **1g** is closed (FIG. **8**).

The user draws out the toner supply container **1** now not containing the toner from the main assembly **100** in the direction opposite from the direction indicated by the arrow in (C) to take it out of the main assembly **100**. Thereafter, the user inserts the fresh toner supply container **1** into the main assembly **100** in the direction of the arrow, and then closes the cover **15** ((A) and (B)). In interrelation with the closing action of the cover **15**, the sealing member **3** is separated from the main body **1A** of the container by toner supplying portion opening means, thus opening the toner supply port **1g**. In this manner, the toner supply container is exchanged.

50 Referring to FIGS. **8** and **9**, a description will be provided as to opening and closing operation of the toner supply port **1g**, which is interrelated with the opening and closing operation of the cover **15**. The structures in the following description are provided in the main assembly **100** of the apparatus. In FIGS. **8** and **9**, designated by **6** is a locking member functioning as locking means for locking the sealing member **3** by engagement with the locking projection **3e** of the coupling engaging portion **3c**. Designated by **57** is a supporting table having the locking member **6** mounted thereto, and the supporting table **57** is rotatable about a rotation shaft **57a**, and is urged in the clockwise direction by the urging member **58**. Designated by **59** is a stopper for positioning the supporting table **57**.

65 Designated by **60** is a slide table which is slidable by a rotatable roller **63**. Designated by **51** is a container chucking member provided on the slide table **60**, and the container chucking member **51** is rotatable about the rotation center

11

51a, and is urged in the counterclockwise direction by a spring 52. Designated by 53 is a stopper for positioning the container chucking member 51.

The toner supply container moving member is constituted by the container chucking member 51 and the slidtable 5 60. The toner supply port opening and closing means is constituted by the container chucking member 51, the slide table 60 and the locking member 6.

On the other hand, the container chucking member 51 is provided with a locking portion 51c for locking the engaging projection 1c of the main body 1A of the container. When the engaging projection 1c advances in the direction indicated by the arrow C as shown in FIG. 8 upon the insertion of the toner supply container 1 into the main assembly 100 of the apparatus, the container chucking member 51 rotates against the elastic force of the spring 52 in the direction of the arrow D. When the engaging projection 1c enters the locking portion 51c, the chucking member 51 returns by the elastic force of the spring 52 to lock the engaging projection 1c. When the chucking member 51 locks the engaging projection 1c, the toner supply container 1 is movable by the slide table 60 in the mounting-and-demounting direction (arrows A and B in FIGS. 7, 8).

Designated by 54 is a slide shaft which is supported by supporting means (unshown) for sliding motion in the axis direction. The slide shaft 54 is urged in the direction away from the supporting table 57 (downward direction in FIG. 8) as indicated by arrow A by an urging member (unshown). The position thereof is determined by the shaft stopper 55.

Designated by 56 is a locking member mounted to the slide shaft 54. When the slide shaft 54 slides in the direction of the supporting table 57 as indicated by the arrow B, the locking member 56 is brought into engagement with the rib portion 51e of the container chucking member 51 to lock the container chucking member 51. The arrow A direction is the direction of demounting the supply container 1 from the main assembly 100 of the apparatus, and the arrow B direction is the direction of mounting it to the main assembly of the apparatus.

The side table 60 is provided with a projection 60a formed therein. The projection 60a is engaged with an elongated hole 61b formed at one end portion of a swingable arm 61 which is swingable about a swing shaft 61a. The swingable arm 61 is urged in the clockwise direction by the elastic force of the urging member 62, and is positioned by the stopper 64. The other end portion of the swingable arm 61 is provided with a groove portion 61d having one open end.

The cover 15 is provided with a projection 15b which enters the groove portion 61d when the cover 15 is closed. By the projection 15b entering the groove portion 61d, the swingable arm 61 is swung in the anti-clock direction against the elastic force of the urging member 62 in interrelation with the closing operation of the cover 15.

The cover 15 for exchange is provided with a wall portion 15a, which abuts one end portion 54a of the slide shaft 54 when it is closed. By the wall portion 15a, the slide shaft 54 slides in the direction of the arrow B in interrelation with the closing operation of the cover 15. By the slide of the slide shaft 54 in such a manner, the other end 54b of the slide shaft 54 is abuts to the projection 57b of the supporting table 57. By this, the supporting table 57 and the locking member 6 rotate against the elastic force of the urging member 58, by which the locking member 6 locks the locking projection 3e of the sealing member 3.

With such structures, when the toner supply container 1 is inserted into the main assembly 100 of the apparatus as

12

shown in (C) of FIG. 7, the engaging projection 1c of the main body of the container moves in the direction of the arrow C shown in FIG. 8. Thereafter, the engaging projection 1C is locked with the locking portion 51c of the container chucking member 51, and the fresh or new toner supply container 1 is mounted to the main assembly 100 with this state. In other words, the toner supply container 1 is correctly positioned in the main assembly 100 of the apparatus by the engaging projection 1C.

After the toner supply container 1 is thus mounted, the cover 15 is closed, and by this, the wall portion 15a of the cover 15 abuts one end portion 54a of the slide shaft 54, so that slide shaft 54 slides in the direction of the arrow B. Thereafter, the other end 54b of the slide shaft 54 abuts the projection 57b of the supporting table 57. By this, the supporting table 57 and the locking member 6 are rotated against the elastic force of the urging member 58, by which the locking member 6 locks the locking projection 3e of the sealing member 3.

The locking member 56 of the slide shaft 54 moves toward the container chucking member 51 with the sliding motion of the slide shaft 54 and engages with the rib portion 51e of the container chucking member 51. By doing so, the container chucking member 51 is locked.

When the cover 15 is closed to a predetermined position, the projection 15b of the cover 15 enters the groove portion 61d of the swingable arm 61 to swing the swingable arm 61 counterclockwise against the elastic force of the projection 15b. By the swing of the swingable arm 61, the slide table 60 slides in the direction of the arrow A. By this, the toner supply container 1, which is locked by the container chucking member 51 at the engaging projection 1c, also slides in the same direction.

When the supply container 1 moves in the direction of the arrow A, the sealing member 3 is locked by the locking member 6 so that it is unable to move in the direction of the arrow A. Therefore, the main body 1A of the container is separated away from the sealing member 3, thus opening the toner supply port 1g as shown in FIG. 9. The toner supply port portion 1a, as shown in FIG. 5, is held by a holder 5 of the main assembly 100 with the outer periphery being sealed with an annular seal member 7. Therefore, when the supply container 1 is mounted to the main assembly 100, the position thereof is determined by the engaging projection 1C and the toner supply port portion 1a. In this embodiment, the sealing member 3 is supported at a position away from the toner supply port 1g. By doing so, it can be kept at a position away by a distance necessary to permit smooth discharge of the toner, depending on the coagulation property of the toner. Thus, the plugging adjacent the discharging outlet and various problems resulting therefrom can be avoided.

On the other hand, when the user opens the cover 15 after the toner in the toner supply container 1 is substantially entirely consumed, the projection 15b of the cover 15 is moved from the position shown in FIG. 9 to be abutted to the wall portion 61c of the swingable arm 61 to swing the swingable arm 61 clockwise. Then, the slide table 60 slides in the direction of the arrow B, and the toner supply container 1 slides in the same direction.

At this time, the container chucking member 51 receives a force in the clockwise direction from the engaging projection 1c of the toner supply container 1. However, since the locking member 56 locks rotation of the container chucking member 51, the engaging projection 1c is prevented from disengaging from the container chucking member 51. Therefore, the toner supply container 1 slides until

the toner supply port 1g abuts the flange portion 3f of the sealing member 3, by which the toner supply port 1g is closed.

Then, the cover 15 is further opened, the slide shaft 54 is moved to a predetermined position determined by the shaft stopper 55 since it is urged in the direction of arrow A by the urging means as described hereinbefore. With this, the locking member 6 rotates clockwise to be away from the sealing member 3. Therefore, the sealing member 3 is released by the locking member 6. The container chucking member 51 is released from locking of the locking member 56.

With this state, the toner supply container 1 is removable from the main assembly 100. Then, the toner supply container 1 can be taken out by pulling it in the direction of the arrow A. By the application of the pulling force in the direction of arrow A, the locking of the engaging projection 1c by the container member 51 is released.

As described hereinbefore, when the toner supply container 1 is mounted to the main assembly 100, the locking projection 3e of the sealing member 3 is locked by the locking member 6 and is supported away from the toner supply port 1g of the toner supply container 1. At this time, the engagement relation in the rotational direction between the sealing member 3 and the feeding member 2 is maintained.

Therefore, by the rotation received by the sealing member 3 from the main assembly 100, the feeding member 2 rotates to supply the toner gradually to the main assembly 100 through the toner supply port 1g. In the embodiment, a toner detection sensor 201g is provided on the toner hopper. When the detecting sensor 201g detects that there is no toner, the sealing member 3 rotates. When the detecting sensor 201g detects the presence of the toner, the rotation of the sealing member stops. In this manner, the sealing member 3 intermittently rotates in accordance with the consumption of the toner in the main assembly 100, so that toner is intermittently and gradually supplied into the main assembly 100. However, it is possible to supply all of the toner into the main assembly 100 when the toner supply container 1 is mounted to the main assembly 100.

On the other hand, when the toner supply container 1 is mounted to the main assembly, the coupling engaging portion 3c of the sealing member 3, as shown in FIG. 5, is engaged with the coupling member 4 of the main assembly 100. The coupling member 4 functions to transmit, to the sealing member 3, the driving force of the driving device (unshown) provided in the main assembly 100.

FIG. 10 shows in detail the coupling member, wherein (A) is a front view of the coupling member, and (B) is a rear side view, and (C) is a sectional side view. In FIG. 10, designated by 4a is a gear portion formed at the outer surface of the coupling member 4. It receives the driving force from the main assembly 100 side through the gear portion 4a.

Designated by 4b is a receiving hole for receiving the sealing member 3, and it is formed at the center of the coupling member 4. The inner surface of the hole 4b is provided with an engaging groove 4c for engagement with the spline projections 3d of the sealing member 3. The end of the hole 4b opposed to the toner supply container 1 is provided with a tapered guiding portion 4d.

In this embodiment, four of such spline projections 3d are formed on the outer curved surface of the sealing member 3, equidistantly. Additionally, twelve engaging grooves 4c are formed in the coupling member 4. The number of the engaging grooves 4c is larger than the number of the

projections 3d, and guiding portions 4d are provided, so that when the toner supply container is mounted to the main assembly, they can be assuredly engaged even if a phase difference exists between the spline projections 3d and the engaging grooves 4c. The number of the projections 3d of the sealing member 3 is not limited to four, but may be properly selected by one skilled in the art. The same applies to the number of the engaging grooves 4c, and is not limited to 12.

A description will be provided as to discharging of the toner.

The coupling member 4 receives the rotation force through the drive transmitting means (unshown) such as gear or the like from the driving source, such as a motor or the like of the main assembly 100. The driving force is transmitted to the sealing member 3 through the engagement between the spline projection 3d and the engaging groove 4c, and is transmitted to the feeding member 2 through the engagement between the H-shaped free end 2a and the H-shaped engaging hole 3a. In this embodiment, the rotational speed of the feeding member 2 is 25 rotations per minute.

When the feeding member 2 is rotated, the toner accommodated in the main body 1A of the container is fed toward the toner supply port 1g, and thereafter, falls from the toner supply port 1g into the toner hopper 201a through the toner receiving port 9 of the main assembly 100. The portion from the toner supply port 1g to the toner receiving port 9 is hermetically sealed by the seal member 7 as described hereinbefore, and therefore, the toner discharged from the toner supply port 1g is prevented from leaking to the outside or from scattering.

A rotational sliding portion exists at a portion where the sealing member 3 and the main assembly 100 are contacted but the portion is away from the toner supply port portion 1a, and therefore, it is not contacted directly with the toner, so that coagulation of the toner or the like does not result. The position of the rotational sliding portion can be away from the toner supply port portion 1a by a proper distance in accordance with the flowability of the toner, the feeding power of the feeding member 2, and the discharging speed of the toner.

The present invention is not limited to any detail of the first embodiment.

For example, the disengagement method of the sealing member 3 may be such that main body 1A side is moved while the sealing member 3 is fixed, or may be such that sealing member 3 is moved while the main body 1A of the container is fixed. However, the sealing member 3 is given the rotation force from the main assembly 100 as described hereinbefore. Therefore, when the sealing member 3 is moved while fixing the main body 1A of the container, the mechanism is more complicated, and therefore, the sealing member 3 is preferably fixed.

The rotational speed of the feeding member 2 is properly selected by one skilled in the art in accordance with the toner feeding amount, but if it is too high, the load of the driving source of the main assembly 100 or the drive transmission mechanism is increased, and if it is too low the toner cannot be sufficiently fed. Preferably, it is 3–100 rotations per minute, and further preferably, 5–50 rotations per minute.

The configuration of the main body 1A of the container may be any if the space can be efficiently used, and the size and capacity of the toner container can be selected properly one skilled in the art. Even if the toner amount is as large as approximately 2 kg, for example, what is rotated is only the

feeding member 2, and therefore, the required rotation torque is as small as 2–3 kgf-cm. The sealing member 3 is press-fitted into the toner supply portion 1a, but a seal member may be used to seal the portion, or a threaded portion corresponding to the main body 1A and the sealing member 3 may be used to seal the portion.

In the first embodiment, the feeding element of the feeding member 2 is of a helical shape which has a high feeding power, but the helical shape is not inevitable. For example as shown in FIG. 11, (A), a blade portion 2Ba in the form of a film as a feeding element may be mounted on the shaft portion 2A. In such a case, the toner is discharged using the flowability of the toner. As shown in FIG. 11 (B), the blade portion 2Ba may be provided with a window 2B1 by which the driving torque of the feeding member 2 can be reduced.

A second embodiment of the present invention will be described wherein the toner supply container 1 has a feeding member 2 provided with such a blade portion.

FIG. 12 is a perspective view of the feeding member 2 for the toner supply container according to the second embodiment. In this Figure, designated by 21 is a blade portion of the feeding member 2 mounted such that the phase thereof is continuously changed in the axial direction of the shaft portion 2A. The feeding member 2, provided with such a blade portion 21, is preferably formed integrally through injection molding or the like, but may be divided into two or more parts which are unified by welding or bonding or the like.

As a material of the shaft portion 2A when the feeding member 2 is divided into two parts, there are plastic resin material, metal or the like having a rigidity. The blade portion 21 is preferably made of a sheet material having a flexibility. More particularly, it may be made of single layer material or multiple layer material of polyester, polypropylene, Nylon, polyethylene or fluorine resin material. The thickness of the blade portion 21 is preferably approximately 50 μm –1 mm.

In this embodiment, a polyester sheet having a thickness of 188–250 μm is satisfactorily used.

The configuration of the blade portion 21 is not necessarily a particular shape such as trapezoidal shape, but what is needed is that the length from the center of rotation of the shaft portion 2A to the free end of the blade portion 21 is substantially constant along the total length of the blade portion 21 (as with rectangular configuration for example). From the standpoint of assembling property of the feeding member 2, the blade portion 21 is an integral member along its entire length.

Therefore, an integral blade portion 21 is preferable, and by doing so, the material can be efficiently used since the blade portion 21 can be cut out from a blank. When the toner is caked in the main body 1A of the container as a result of the main assembly 100 being kept unused for a long term, the toner can be continuously scraped off and efficient toner discharging is accomplished when the blade portion 21 is integral.

A description will be provided as to the mounting method of the blade portion 21 to the shaft portion 2A.

When the feeding member 21 is constituted by the shaft portion 2A and the blade portion 21, it is required that blade portion 21 is mounted to the shaft portion 2 with a twist relative to the axial direction of the shaft portion 2A so that the phase is continuously changed relative to the axial direction of the shaft portion 2A.

As for the mounting method, as shown in FIG. 12, the drum portion of the shaft portion 2A is provided with crimp

bosses 22 at several portions to permit mounting of the blade 2B. On the other hand, the blade portion 21 is provided with a crimp hole portion 23 for receiving the crimp bosses 22 of the shaft portion 2. The crimp bosses 22 are engaged in the crimp hole portions 23, and they are coupled and unified by a heat crimp or an ultrasonic crimp.

On the other hand, when the blade mounting surface of the shaft portion 2A is twisted relative to the axial direction, as shown in FIG. 13, the mounting surface 2d (hatched portion) of the blade portion 21 of the shaft portion 2 is continuously changed with respect to the axial direction of the shaft portion 2A. Then, the blade portion 21 is mounted to and unified with the shaft portion by adhesive material or double coated tape or the like on the surface 2d.

In any of the types, it is preferable that the phase difference of the blade portion 21 relative to the axial direction is approximately 90 degrees.

Referring to FIG. 14, the toner discharging operation of the feeding member 2 having the above-described structures will be described.

By rotation, through 0–360 degrees, of the shaft portion 2A of the feeding member 2 in the direction of arrow A in (1) of this figure, the entirety of the feeding member 2 sequentially rotates in the order of (1)→(2)→(3)→(4)→(1). During the rotation (1)→(2), the blade portion 21 is flexed and curved while entering the space formed between the inner lower surface of the main body 1A of the container and the shaft portion 2A. The blade portion 21 rotates through (2)→(3)→(4) while rubbing the inner lower surface of the main body 1A of the container.

At the time, since the phase of the blade portion 21 continuously changes in the direction of the axis of the shaft portion 2A, the degrees of flexing of the blade portion 21 are different between the axial ends of the blade portion. Therefore, the toner feeding function in the axial direction of the shaft portion 2A is produced, so that toner is fed in the longitudinal direction (lateral direction of the main assembly) of the main body 1A of the container.

Since the blade portion 21 contacts to the inner lower surface of the main body 1A of the container, the toner can be effectively fed even when the toner amount in the main body 1A of the container decreases, and as a result, the remainder toner amount can be reduced after the end of the toner discharge therefrom.

Furthermore, the toner is fed toward the discharging outlet by the spring-back action of the blade portion 21 at the time of (4) to (1) in FIG. 14. Thus, in addition to the toner feeding effect by the flexibility of the blade portion 21 at the time of contact thereof to the inner lower surface of the main body 1A of the container, the spring-back effect of the blade portion 21 further feeds the toner, and therefore, the toner can be further efficiently fed.

As shown in FIG. 14, (5), by providing sufficient length from the shaft portion 2A to the free end of the blade portion 21, cake toner T1 can be uncaked by the elasticity of the blade portion 21. Thus, this embodiment is unusable with a container of the type wherein the height of the main body 1A is so large that toner supply port portion 1a takes a position below the main body 1A of the container, so that the latitude is enhanced to reduce the limit to the configuration, by which the space in the main assembly of the image forming apparatus can be effectively utilized.

Toner discharging experiments have been carried out using the toner supply container 1 of the above-described structure, and it was confirmed that stable toner discharging property (toner discharging amount per unit time) was

accomplished, and the remainder toner amount in the container after the end of the discharge was as small as approximately 10 g. The initial torque required for the rotation of the feeding member 2 was approximately 2 kgf-cm. In the experiments, the blade portion 21 of the feeding member 2 was of a polyester sheet having a thickness of approximately 188 μm , and was mounted to the shaft portion 2A of ABS resin material using a double coated tape. The main body 1A of the container contained approximately 1,500 g of the toner, and the feeding member 2 was rotated at the speed of rotational frequency approximately 30 rotations per minute to toner discharge the toner.

The rotational speed of the feeding member 2 was changed in the range of 20–50 rotations per minute, and the discharging property change was checked, and it was found that toner discharging amount per unit time increased with an increase of the rotational speed. It therefore was found that the toner discharging amount per unit time can be controlled by controlling the rotational speed of the feeding member 2.

As a case of caked toner in the main body 1A of the container, the main body 1A of the container was tapped after the toner was filled, and thereafter, the discharging experiments were carried out. More particularly, the container filled with the toner, was fixed on a tapping table with the same pose of the container as in the toner discharge, and the tapping table was let fall 1000 times from the height of 10 mm and the frequency of 2 Hz.

As a result, the toner discharging property and the remainder toner amount were substantially the same as with the experiments without the tapping, so that it was confirmed that toner can be efficiently discharged while uncaking the caked toner. The required initial torque for the rotation of the feeding member 2 is slightly higher (approximately 5 kgf-cm), but is not so high that driving source is overloaded.

The rotation torque is a maximum when the blade portion 21 enters the caked toner (between (1) and (2) in FIG. 14). When the feeding member 2 has such a structure that the phase of the blade portion 21 in the axial direction is changed, the timing of the blade portion 21 entering into the toner is different in the axial direction, so that the rotation torque can be reduced.

In this embodiment, the phase of the blade portion 21 is changed in the axial direction, and therefore, even if a part of the blade portion 21 is in the state shown in FIG. 14. (3), the state of (1) in FIG. 14 exists in another portion, so that blade portion 21 is prevented from winding around the shaft portion 2A.

Thus, according to the present invention, the blade portion is prevented from winding around the shaft portion.

FIG. 16 shows a feeding member 2 according to the second embodiment wherein a screw member 2e is added to the structure of FIG. 12 adjacent the toner supply port portion 1a of the feeding member 2. In the other respects, the structures of this embodiment is the same as that of the first embodiment, and the toner discharging experiments were carried out under the same conditions using the toner supply container 1 of the first embodiment.

As a result, the toner discharging property was better than in the first embodiment, and the remainder toner amount after the end of the toner discharge was approximately 10 g. As a result of the addition of the screw member 2e, the variation of the toner discharging amount was 5–10 g/min., which was better than 10–20 g/min. In the first embodiment, and the improved stability of the toner discharging amount was confirmed. The required initial torque for the rotation of the feeding member 2 was approximately 4 kgf-cm.

The rotational speed of the feeding member 2 was changed in the range of 20–50 rotations per minute, and the change of the discharging property was checked, and it was found that toner discharging amount per unit time increased with the increase of the rotational speed. It therefore was found that the toner discharging amount per unit time can be controlled by controlling the rotational speed of the feeding member 2.

The toner discharging amount per unit time was stable from the initial stage to the final stage of the toner discharging when the toner was caked before the toner discharge by tapping the container and when the toner was uncaked by shaking the supply container 1 by the use before it is mounted to the main assembly 100 of the apparatus. For example, when the feeding member 2 is rotated at 36 rpm, the toner discharging amount was 70–100 g/min, irrespective of the state of the toner beforehand. When the toner is not caked and loose, the toner having high flowability tends to rush into the discharging outlet (toner supply port 1g) and discharges at an unnecessarily high speed (flushing), but such a phenomenon does not occur with the embodiment of FIG. 16. This is because at least one full turn of the screw member 2e having the helical configuration is disposed in the cylindrical toner supplying portion 1a so that rushed toner can be properly stopped thereby.

Discharging experiments were carried out for the toner supply container 1 filled with the toner after it was tapped 1000 times. As a result, the toner discharging property and the remainder toner amount in the container were similar to the case without the tapping. The required initial torque for the rotation of the feeding member 2 is slightly higher (approximately 8 kgf-cm), but it is not so high that driving source is overlooked.

FIG. 17 shows a structure wherein a part of the blade portion 21 of the feeding member 2 shown in FIG. 13 is removed to provide a window configuration 21a, according to a third embodiment of the present invention. With the provision of the window configuration 21a, the toner discharging experiments were carried out under the same conditions for the toner supply container 1 having the same structure as with the first embodiment except for the window.

As a result, the toner discharging property, the remainder toner amount in the main body 1A of the container after the end of the discharge, were the same as with the first embodiment. The initial torque required by the rotation of the feeding member 2 when no tapping was carried out, was approximately 2 kgf-cm which is the same as first embodiment. The required initial torque after the 1000 tappings, was decreased from approximately 5 kgf-cm which is the torque without the window to approximately 4 kgf-cm; the initial torque when the toner is agglomerated is decreased by the window.

FIG. 18 shows a structure of a feeding member 2 according to a fourth embodiment wherein a screw member 2e shown in FIG. 16 is added to the feeding member 2 shown in FIG. 17. The toner discharging experiments were carried out under the same conditions as with the first embodiment except for the provision of the screw member 2e and the window configuration 21a.

As a result, the toner discharging property was better than that with the third embodiment in stability, and the remainder toner amount in the container after the end of the discharge was equivalent to that of the third embodiment. The required initial torque without tapping was approximately 4 kgf-cm similarly to the second embodiment. The

19

required initial torque after 1000 tappings decreased from approximately 8 kgf-cm without the window to approximately 6 kgf-cm.

Thus, by the provision of the blade portion **21** on the shaft portion **2A** of the feeding member **2** in which the phase of the blade is continuously changed relative to the axial direction of the shaft portion **2A**, the toner feeding function becomes more effective, and the toner amount remaining on the main assembly of the container can be reduced. Furthermore, by the provision of the windows at one or more portions of the blade portion **21**, the required rotation torque can be reduced.

In this invention, the convert **15** for the exchange and the hinge portion **18** therefor can be provided at the positions shown in FIG. **19**.

Referring to FIGS. **19** and **20**, the structure for opening and closing the toner supply port **1g** by the motion of the exchanging cover provided at the position, will be described. FIG. **19** shows the state wherein the cover **15** is open, and FIG. **20** shows the state wherein the cover **15** is closed. In these figures, the same reference numerals as in FIG. **8** are assigned to the elements having the corresponding functions, and detailed descriptions thereof are omitted for simplicity.

In FIGS. **19**, **20**, designated by **19** is a toner supply container holder member having a center of rotation which is concentric with the toner receiving port **9**, and the toner supply container **1** is mounted to the toner supply container holding member **19** upon the exchange operation. Designated by **20** is a guiding member provided with an engaging groove **20a** which is engageable with an engaging projection **1c** provided in the main body **1A**, and is fixed in the main assembly **100** of the apparatus. Designated by **25** is a link for interrelating the cover **15** and the toner supply container holding member **19** at the connecting portions **25a**, **25b**. When the cover **15** is closed, the toner supply container holding member **19** is rotated to a position shown in FIG. **20** by the link **25**.

With such a structure, when the user closes the cover **15** after the new toner supply container **1** is mounted on the toner supply container holding member **19**, the toner supply container holding member **19** is rotated to the position shown in FIG. **20** by the link **25**. With the rotation of the toner supply container holding member **19**, the main body **1A** of the container also rotates so that engaging projection **1c** provided in the main body **1A** moves through **1C-1C1-1C2** as shown in FIG. **19**. Here, with the rotation of the main body **1A**, the sealing member **3** rotates in the clockwise direction, and the locking projection **3e** of the sealing member **3** is locked with the locking member **6** at a position where the engaging projection **1c** reaches **1C1**.

After the sealing member **3** is locked with the locking member **6**, the cover **15** is further closed, and the engaging projection **1c** enters the engaging groove **20a** of the guiding member **20** and moves along the wall portion **20b** of the engaging groove **20a** in the direction away from the rotational center of the toner supply container holding member **19**. By this, the main body **1A** of the container is moved away from the sealing member locked with the locking member **6**, so that toner supply port **1g** is opened as shown in FIG. **20**.

On the other hand, when the user opens the cover **15** in the state shown in FIG. **20**, after substantially all of the toner in the toner supply container **1** is used up, the engaging projection **1c** of the main body **1A** moves along the wall portion **20c** of the guiding member **20**. With the movement

20

of the engaging projection **1c**, the main body **1A** moves until the toner supply port **1g** abuts the flange portion **3f** of the sealing member **3**, by which the toner supply port **1g** is closed.

A third embodiment of the present invention will be described.

In this embodiment, a feeding member and a stirring member which is a separate member from the feeding member are provided.

FIG. **21** is a perspective view of a toner supply container **301** according to the third embodiment of the present invention.

FIG. **22** (A) is a front view of the toner supply container according to this embodiment, and (B) is a sectional view. FIG. **22**, (C) is a left side view of the toner supply container, (D) is a right side view of the toner supply container, (E) is a sectional side view of the toner supply container, and the (F) is a top plan view of the toner supply container FIG. **23** is a sectional front view wherein the toner supply container is loaded in the main assembly **100** of the apparatus, and the supply port is open. FIG. **24** is a sectional front view wherein the toner supply container is loaded in the main assembly **100** of the apparatus, and the supply port is sealed.

In FIGS. **21-24**, designated by **301A** is a main assembly of the container, and **302** designates a feeding member for feeding the toner accommodated in the main body **301A** of the container toward the toner supply port portion **301a**. Designated by **303** is a sealing member for sealing the toner supply port **301g**, and **304** denotes a coupling member for transmitting the driving force to the sealing member **303** when the toner supply container is mounted to the main assembly **100** of the apparatus. Designated by **305** is a stirring member for stirring the toner in the main body **1A**. Designated by **306** is a transmitting member engageable with the stirring member **305** to transmit the rotation force from the image forming apparatus to the stirring member. Designated by **307** is a second coupling member for transmitting the drive force to the transmitting member **306** when the toner supply container is mounted to the main assembly **100**.

Designated by **309** is an oil seal for preventing leakage of the toner.

Referring to FIG. **25** and FIG. **26**, the toner supply container part **301A** which is a main assembly of the toner supply container will be described. FIG. **25** is a perspective view of the main assembly of the container.

FIG. **26**(A) is a front view of the main assembly of the container, (B) is a sectional view, (C) is a left side view, (D) is a right side view, (E) is a cross-sectional view, (F) is a top plan view.

The main body **1A** of the toner supply container includes a curved portion **301F** having a width decreasing toward the lower portion, a flat surface portion **301G** having a substantially constant width extended from the lower portion of the curved portion, and an arcuate configuration portion **301H** extended from the lower portion of the flat surface portion.

At a lower portion of one side surface **1A1** of the main body **301A** of the container, a cylindrical member defining a toner supply port portion **301a** is projected, which functions to supply toner accommodated in the toner accommodating portion **1n** to the main assembly of the apparatus. A toner supply port **301g** is provided at one end portion of the toner supply port portion **301a**. At a position corresponding to the toner supply port portion **301a** of the other side surface **301B**, a first receiving portion **301b** for rotatably supporting

the feeding member 2 is formed. Outside the 301D, there is provided an engaging portion 301c for engaging with the toner supply port opening and closing means provided in the main assembly 100 to move the toner supply container 301 in the mounting and demounting direction. In this embodiment, the engaging portion 301C is in the form of a dowel projected outwardly from the lower surface 301D. The upper surface 301E is provided with a handle 301e for facilitating mounting of the toner supply container 391 to the main assembly 100 and removal thereof from the main assembly 100. At the lower inclined surface (curved portion) 301F of the front side and the rear side, there are provided grooves 301f extended substantially parallel with each other in the longitudinal direction of the container to facilitate handling of the main body 1A of the container when the toner supply container 1 is mounted to the main assembly 100 of the apparatus.

Above the first receiving portions 301b1 of the other side surface 301B, there is provided a second receiving portion 301b2 for rotatably supporting the stirring member 305.

The toner supply port portion 301a is disposed in a side surface 301A1 opposite from the side surface 301B having the handle 301e in the longitudinal direction of the main body 301A. By this arrangement, when the user mounted the toner supply container 301 to the main assembly 100, the user is prevented from inadvertently touching the toner supply port portion 301a. The toner supply port portion 301a is located at the lower position of the side surface 301A1. Therefore, even if the amount of the toner accommodated in the main 301A becomes small, the toner can be discharged efficiently.

The toner supply port portion is projected from the side surface 301A by 20 mm–40 mm, preferably approximately 27.8 mm. The toner supply port portion 301a is cylindrical in shape, and the outer diameter of the cylindrical portion is 20 mm–30 mm, preferably approximately 27.6 mm.

As described hereinafter, an engaging portion 301C is provided on the outside of the lower surface 301D. The engaging portion 301C is correctly positioned by a locking portion 51C (FIG. 8) provided in the main assembly 100 of the apparatus when the toner supply container is mounted to the main assembly 100. The engaging portion 301C, as described hereinbefore, is in the form of a columnar projection (dowel) projecting outwardly from the lower surface 301D. The circular column shape portion has an outer diameter 8 which is 5 mm–12 mm, preferably approximately 8 mm. The positioning portion is disposed at a position 2 mm–6 mm away from the lower surface 301D, and the engaging portion 301C (positioning portion) is disposed at a position 60 mm–80 mm preferably approximately 71 mm away from the lateral end surface 301B opposite from the side of the toner supply port portion 301a in the longitudinal direction of the lower surface 301D.

The side surface 301A1 and the other side surface 301B, are each provided with two bosses 301k, 301l for positioning the main assembly of the container when the dimensional inspection for the main assembly of the container is carried out before the container is delivered from a plant.

Designated by 301m is a rib for preventing erroneous mounting.

The user is prevented from mounting an erroneous container by disposing the rib 301m at difference positions for the toner supply containers.

The main body 301A is preferably manufactured through an injection molding of resin material such as plastic resin material, blow molding or injection blow molding, but

another material and/or another manufacturing method is usable. The main body 301A of the container may be divided into two or more portions, which are unified by welding, bonding or the like.

In the embodiment, upper frame and lower frame of high impact polystyrene are unified by vibration welding.

The feeding member 302, as shown in FIG. 23, includes a shaft portion 302A and a helical rigid feeding blade 302B, on the shaft portion 302A, which functions as a feeding portion for feeding the powder toner in a predetermined direction by rotation of the shaft portion 302A. The feeding member 302 is mounted to the main body 301A of the container with the axis of the shaft portion 302A substantially aligned with the center of the substantially circular toner supply port 301g.

The feeding member 302 is not limited to the screw type, as described above, but a flexible blade may be mounted to the shaft portion 302A, for example. The shaft portion and the blade may be integrally molded, and may be separate members. In this embodiment, the shaft position 302A and the blade 302B are made of plastic resin material molded integrally.

In the embodiment, the feeding member 302 has an extending portion 302C extending into the cylindrical portion of the toner supply port portion 301a. In this embodiment, the extending portion 302C is further extended out of the toner supply port portion 301a. A free end portion of the extended-out portion of the extending portion 302C receives the rotation force from the main assembly 100. Therefore, in this embodiment, the sealing member 303 is movably (in the axial direction) mounted to the free end portion.

One end portion 302a of the extending portion 302C has a configuration, such as a polygonal, more particularly, a rectangular configuration, to receive the rotation force through the sealing member 303 from the main assembly 100. The one end portion of the shaft portion 302A is supported on the sealing member 303 through one end portion 302a of the extending portion 302C. The other end portion 302b of the shaft portion 302A is provided with a first bearing member 308. It is supported rotatably (upon unsealing) to the main body 301A through the first bearing member 308.

The feeding member 302 is supported on the sealing member 303 such that feeding blade 302B is out of contact to the internal wall surface 301a1 of the toner supply port portion 301a and that internal wall surface of the toner supply port portion 301a is substantially parallel with the shaft portion 302a. By supporting the feeding member 302 in this manner, the toner can be fed substantially horizontally to the toner supply port 301g by rotation of the feeding member 302. It is possible that fine toner particles enter between the feeding blade 302B and the internal wall surface 301a1 of the toner supply port portion 301a and are fused on the internal wall surface 301a1 by strong rubbing therebetween with the result of massive toner particles produced. However, this can be avoided by supporting the feeding member 302 in that manner.

The feeding member 2 is also preferably manufactured through injection molding or the like of plastic resin material or the like, but another method and/or another material is usable. It may be made of separate members which are connected.

Referring to FIG. 27, a description will be provided as to a sealing member 303. In FIG. 27, (A) is a front view of a sealing member, (B) is a view taken along a line A—A, (C) is a view taken along a line B—B, and (D) is a sectional front view.

In (A)–(D) of FIG. 27, designated by **303b** is a sealing portion which is provided at a side opposite from the toner supply container **301** of the sealing member **303** to openably seal the toner supply port **301g** of the toner supply container **301**. The outer diameter of the sealing portion **303b** is larger than an inner diameter of the toner supply port **301g** by a proper amount. The sealing member **303** hermetically seals the toner supply port **301g** by press-fitting the engaging portion **303b1** of the sealing portion **303b** into the toner supply port portion **301a** from the toner supply port **301g**.

Designated by **303c** is a coupling engaging portion which functions as a driving force receiving portion (driver) for receiving the driving force for rotating the feeding member **302** from the main assembly **100** of the apparatus when the toner supply container **301** is mounted to the main assembly **100**. The coupling engaging portion **303c** is provided with a projected portion **303c1** extended from the sealing portion **303b** substantially co-axial with the axis of the shaft portion **302A** of the feeding member **302** in the direction opposite from the main body **301A** of the toner container (when the sealing member **303** is mounted to the main body **301A** of the container). The coupling engaging portion **303c** is provided on the curved surface of the projected portion **303c1**, and is provided with an elongated projections (ribs) **303d** (spline-like), which functions as a driving force receiving portion engageable with the coupling member **304**. In this embodiment, two of such spline projections **3d** are provided equidistantly.

More particularly, they are disposed approximately 180° interval.

The rib **303d** is projected from the outer surface of the sealing member by 0.5 mm–3 mm and preferably approximately 1.8 mm.

The outer diameter of the projected portion **303c1** is 10 mm–14 mm and preferably approximately 12 mm.

The sealing member **303** includes an engaging hole **303a** as a driving force transmitting portion for transmitting driving force received from the main assembly **100** to the feeding member **302** by engagement with one end portion **302a** of the feeding member **302**. The engaging hole **303a** is formed as an opening (hole) through the sealing portion **303b** and the coupling engaging portion **303c**. Here, the engaging hole **303a** has a rectangular portion corresponding to the rectangular configuration of the end **302a** of the shaft of the feeding member **302** projected from the powder toner supply portion **301a**. It has a dimension slightly larger than that of the end **302a** of the shaft, so that end **302a** is loosely fitted in the engaging hole **303a**.

The feeding member **302** and the sealing member **303** are locked with each other in the rotational direction by the loose fitting between the end **302a** and the engaging hole **303a**. On the other hand, in the axial direction, relative motion therebetween is permitted. By doing so, the sealing member **303** and the main body **301A** of the container are separable from each other so that toner supply port **301g** is openable upon the toner supply container mounting.

The engagement length between the engaging hole **303a** and the shaft end **302a**, is long enough to prevent disengagement therebetween when the sealing member **303** and main body **301A** of the container are moved away from each other. Therefore, even if the sealing member **303** is moved away from the main body **301A**, the feeding member **302** can receive the driving force through the sealing member **303** (coupling engaging portion **303c**).

Between the coupling engaging portion **303c** and the sealing portion **303b**, a flange portion **3f** is provided which

abuts the end of the powder toner supply portion **301a** when the sealing portion **303b** is press-fitted into the toner supply port portion **301a**. The outer diameter of the flange portion is substantially equal to the outer diameter of the toner supply port portion **301a** (preferably, it is smaller than the outer diameter of the toner supply port portion **301a**). By the flange portion **303f**, the sealing portion **303b** enters the toner supply port portion **301a** by the length of the sealing portion **303b**.

On the other hand, designated by **303e** is a locking projection **303e**, formed at a free end of the coupling engaging portion **303c**, for locking engagement with the locking member **6** provided in the main assembly **100** of the apparatus. By locking the locking member **6** with the locking projection **303e**, the sealing member **303** can be fixed when the toner supply port **301g** is opened.

The sealing member **303** is preferably manufactured by integral injection molding of plastic resin material or the like resin material, but another material, manufacturing method and/or non-integral structure is usable. The sealing member **303** is required to have a proper elasticity to effect press-fitting into the toner supply portion **301a** to seal it. The preferable material is polypropylene, Nylon, high density polyethylene or the like, but further preferable material is low density polyethylene.

Designated by **303j** is a locking groove for receiving a locking member **6** provided in the main assembly **100** of the apparatus. The width of the locking groove **303j** is 1.5 mm–5 mm, preferably approximately 3 mm. The depth of the locking groove is 0.5 mm–5 mm, preferably approximately 2.5 mm.

As described in the foregoing, the sealing member **303** has a substantially cylindrical engaging portion **303b1** engageable with the toner supply port portion **303a**. The flange portion **303f** is substantially coaxial with the engaging portion **303b1**. It further includes a projected portion **303c1** projected from the flange portion **303f** substantially coaxially with the engaging portion **303b1** at a side opposite from the side where the engaging portion **303b1** is provided. Adjacent the free end portion of the projected portion **303c1** it is provided with a locking groove **303c**, and a free end portion is formed into a locking portion **303e**. There is provided a hollow portion extending from the engaging portion **303b1** side to the locking portion **303e** side, and in the hollow portion, a driving force transmitting portion **303a** is provided. The locking portion **303e** of the hollow portion does not open, and therefore, when the engaging portion **303b1** is engaged with the toner supply port portion **303a**, the toner does not leak from the hollow portion to the outside. Thus, the toner supply port portion **303a** is sealed by mounting the sealing member **303**.

Similarly to Embodiment 1 and 2, the sealing member **303** has four functions. More particularly, the functions are (1) to seal the toner supply port portion **301a**, (2) to receive the transmission of the rotation force from the main assembly **100** of the apparatus, (3) to transmit the rotation force to the feeding member **303** and (4) to engage with the engageable member **6** provided in the main assembly of the apparatus. Thus, the sealing member **303** transmits the driving force received from the main assembly **100** of the apparatus to the shaft portion **302A** through the extending portion **302C** to rotate the feeding member **302**.

A description will be provided as to the stirring member **305**. Referring to FIG. 28, (A) is a front view of the stirring member **305**, (B) is a left side view, and (C) is a right side view. As shown in FIG. 28, the stirring member **305** includes

25

a shaft portion **305a**, a rigid blade portion **305b** and a flexible blade portion **305c**. FIG. 29 is an enlarged side view of the rigid blade portion **305**, and FIG. 30 is an enlarged view of the flexible blade portion **305c**. The shaft portion **305a** is made of a relatively high rigid plastic resin material and is manufactured by injection molding. The rigid blade portion **305b** is of metal such as stainless steel or a highly rigid material, and the flexible blade portion **305c** is made of low rigidity material, such as plastic resin material film or sheet or elastomer sheet. In this embodiment, it is of a polyester sheet.

One end **305d** of the stirring member **305** is engaged with the above-described transmitting member **306** at the bearing portion **301h** of the main body of the toner supply container. The other end **305e** is engaged with a stopper member (second bearing member) **310f** at the second receiving portion **301b2** of the main body of the toner supply container. The shaft portion **305a** in this embodiment is made of relatively high rigidity plastic resin material and is manufactured through injection molding, but may be of another material such as metal.

The rigid blade portion **305b** is preferably integrally molded using metal or the like, another material and/or manufacturing method is usable, or it may be divided into two or more parts, which are unified by welding or bonding or the like. In this embodiment, a pressed stainless steel plate having a thickness of approximately 0.8 mm is used. The engaging portion of the rigid blade portion **305b** which are engageable with the shaft portion **305a** has a configuration conforming with the shaft portion **305a** to receive the driving force from the shaft portion **305a**, and it rotates with the rotational motion of the shaft portion **305a** to stirring the toner in the container.

It is preferable to provide a cut-away portion **305h** at one end as shown in FIG. 28 since then the assembling is easy. The entire length of the rigid blade portion **305b** is in the form of a substantially parallel plate relative to the tangential direction of rotation, and the downstream of the blade portion with respect to the rotational direction is bent toward the internal wall surface of the toner supply container. The length r of the bent portion **305b1** shown in FIG. 29 is approximately 2 mm–8 mm, and the bending angle θ is preferably approximately 30° – 50° . Further preferably, the length r of the bent portion **305b** is approximately 3 mm–5 mm, and the bent angle is preferably approximately 45° .

In this embodiment, the length of the bent portion **305b1** is approximately 5 mm, and the bending angle is approximately 45° . The distance from the center of the rotation shaft to the free end of the rigid blade portion is properly determined depending on the size of the main body of the container, and it is preferably approximately 70–95% of the inner radius of the main body of the container. In this embodiment, the inner diameter of the main body of the container is approximately 44.5 mm, and therefore, it is approximately 39.4 mm (89%).

The flexible blade portion **305c** is of low rigidity material such as plastic resin material film or sheet or elastomer sheet. The thickness thereof is preferably approximately $50\ \mu\text{m}$ – $500\ \mu\text{m}$ and further preferably $100\ \mu\text{m}$ – $300\ \mu\text{m}$. In this embodiment, the use was made with polyester sheet having a thickness of approximately 100 microns.

The flexible blade portion **305c** is bonded such that the free end contacts to the internal wall surface of the main body over the entire length of the bent portion **305b1** of the rigid blade portion **305b**. It rotates, scraping the toner off the internal wall surface of the container with the rigid blade

26

portion. The length, in the radial direction, of the flexible blade portion **305c** is preferably longer by approximately 0.5 mm–10 mm than the distance between the internal wall surface of the container and the free end of the rigid blade portion **305b** since then the above-described effect can be enhanced.

In this embodiment, it is longer by approximately 6 mm. The bonding between the rigid blade portion **305b** and the flexible blade portion **305c** is made by a double coated tape **305i** (DIC#8800CH) as shown in FIG. 30 on the bent portion **305b** of the rigid blade portion **305b**. Another method using rivets or another known means is usable, or the integral molding with the rigid blade portion is usable.

As shown in FIG. 31, the rigid blade portion **305b** may be divided with a phase difference of 180° substantially at the central portion relative to the axis direction, so that divided parts as staggered. The number of division is properly determined depending on the configuration and length of the main body of the container, and it may be 3 or 4 or more. The phase of the rigid blade portion **305b** may be changed over the entire length to provide a spiral-like configuration. The engaging portion between the central portion of the shaft portion and the opposite ends of the rigid blade portion **305b** are preferably provided with a cut-away portion **305h** as shown in the figure since then the assembling property is improved. The length of the bent portion of the rigid blade is approximately 3 mm to reduce the resistance of the toner and to decrease the projected area of the rigid blade portion in the rotational direction. The length and the bending angle of the bent portion is preferably 2–8 mm and 30° – 50° , and further preferably approximately 3–5 mm and approximately 45° .

The rigid blade portion **305b** and the flexible blade portion **305c** may be crimped by means of aluminum rivets **4i**. In this case, if the position of the rivet hole of the flexible blade portion **305c** is derived even slightly, waving may result, and therefore, it is preferable to provide perforation or half cutting at a portion of the flexible blade portion **305c** contacted to the bent portion C of the rigid blade portion **305b**. The bonding means may be a double coated tape or another known means.

A description will be provided as to assembling method of the toner supply container **301**.

In the assembling method of the toner supply container **301**, the feeding member **302** is inserted into the lower portion of the lower frame **301K** from the top. An oil seal **309** is inserted into the first receiving portion **301b1**, and thereafter, a bearing member **308** is engaged with the other end portion **302b** of the feeding member **302**. The toner supply port **301g** is sealed by the sealing member **303**. Then, the stirring member **305** is inserted from the top. An oil seal **309** is inserted into the main body of the container, and thereafter, the second bearing member **310** and the transmitting member **306** are engaged at the opposite ends of the stirring member **305**. Then, the upper frame **301J** is welded to the lower frame **301K** by vibration welding, and a predetermined amount of the toner is supplied into the main body **301A** of the container through the filling port **301i** of the main body of the toner supply container **301**, and the filling port **301i** is sealed by the sealing member **311**, so that assembling is completed. In this manner, the assembling of the toner supply container **301** is very easy, and the number of steps of the assembling is very small.

The filling of the toner may be effected through the toner supply port **301g**.

In this embodiment, the exchange steps of the toner supply container **301** are the same as with the first embodiment and the second embodiment.

When the toner supply port portion **301a** is opened by the toner supplying portion opening and closing means, the main body **301A** of the container receives forces at the toner supply port portion **301a** and the engaging portion **301c**. At this time, as described hereinbefore, the engaging portion **301c** is disposed at a side opposite from the side having a toner supply port portion **301a** in the longitudinal direction at the lower surface of the main body **301A** of the container, the main body **301A** is prevented from rising relative to the main assembly **100**. Even if the main body **301A** is raised, the motion of the main body **301A** beyond a predetermined distance is limited by contact of the upper surface **301E** to the top surface portion **100d** (FIG. **32**) of the main assembly **100** of the apparatus.

The engaging projection **301c** and the toner supply port **301g** of the toner supply container **301** are preferably disposed on a line in the sliding direction of the container. By doing so, the production of a moment in either direction in FIG. **32** relative to the slide direction in the toner supply container **301** can be prevented. Even if a moment in either direction is produced, the movement of the main body **301A** beyond a predetermined distance can be prevented by abutment of the rib **301j** as a lateral stopper portion provided in the **301B** to the side wall portion **100e** provided in the main assembly **100**.

The height of the engaging projection **301c** of the toner supply container **301** is such that overlapping x between the engaging portion **301c** and the container chucking member **51** (FIG. **32**) is larger than the clearance Y between the upper portion **301E** of the container and the top surface **100d** of the main assembly of the apparatus (FIG. **32**) in order to prevent the upward disengagement of the toner supply container **301** during the slide movement.

The horizontal ribs **301j** of the toner supply container **301** in FIG. **32** are preferably provided on the top part of the toner supply container **301** to prevent the clogging, and in this embodiment, they are disposed at an upper portion (upper than the height center) of the toner supply container **1** with a proper clearance from the side wall portion **100e**.

A description will be provided as to a driving mechanism for the toner supply container **301** in this embodiment.

When the toner supply container **301** is to be mounted, the coupling engaging portion **303c** of the sealing member **303** is brought into engagement with the first coupling member **304** of the main assembly **100** of the apparatus as shown in FIG. **23**. The first coupling member **304** functions to transmit a driving force of a driving device (unshown) provided in the main assembly **100** to the sealing member **303**.

FIG. **33** shows details of the first coupling member **304**.

Designated by **512** is a gear member having a gear portion at the outer surface **512a**. The gear member **512** is constituted by two members, namely, gear portion **512A** and cap portion **512B**, which are securedly fixed snap fitting, bonding or the like. The inside of the gear member **512** is provided with urging means **514** and a movable member **513**. The urging means **514** abuts the **512b** portion of the gear member **512** and the **513b** portion of the movable member **513**.

FIG. **34** is a detailed illustration of the gear portion **512**, wherein (A) is a sectional front view, and (B) and (C) are side views. FIG. **35** is a detailed information of the movable member **513**, wherein (A) is a sectional front view, and (B) and (C) are side views, and (D) is a front view.

In FIG. **34**, gear portion **512A** is provided with four slide guiding ribs **512A1** arranged circumferentially. In FIG. **35**, the movable member **513** has four slide guiding hole por-

tions **513c** circumferentially arranged, and are engaged with the slide guiding ribs **512A1** of the gear portion **512A**, by which the movable member **513** is slidable on the gear member **512**.

Designated by **513a** is a drive transmitting portion of the movable member **513**. The drive transmitting portion **513a** is engaged with an elongated projection **303d** of the sealing member **303** to transmit the rotation force to the sealing member when the toner supply container **1** is mounted to the main assembly **100** of the apparatus.

In FIG. **33**, designated by **517**, **515** are bearing members for rotatably supporting the gear member **512**, and **516** is an oil seal. The toner discharged through the toner supply port **301g** is prevented, by the oil seal **516**, from entering the bearing members **515**, **517** resulting in the locking of the gear member **512**. Designated by **519** is a gear seal member, and when the toner supply container **301** is mounted to the main assembly **100** of the apparatus, it is press-contacted to the **303h** portion (FIG. **27**) of the sealing member **303** to prevent: the toner discharged through the toner supply port **301g** from entering the gear member **512**. Designated by **511**, **510** are driving side plates for supporting the first coupling member **304**. Designated by **518** is a bearing holder, which functions to support the bearing **515** and the oil seal **516** and which is securedly fixed on the driving side plate **511** by screws or by bonding. Designated by **520** is a holder seal member, which prevents the toner from leaking between the bearing holder **518** and the holder **5** as shown in FIG. **27**.

The gear seal member **519** and the holder seal member **518** are fixed to the gear member **512** and the bearing holder **518**, respectively, by double coated tape or the like, and the material thereof is elastic material such as urethane foam.

A description will be provided as to an operation of the first coupling member **304**. The movable member **513** of the coupling member is retractable in a direction A in FIG. **33** because of the structure described in the foregoing. Normally, it is urged to a position shown in FIG. **33** by urging means **514**. When the toner supply container **301** is mounted to the main assembly **100** of the apparatus, the sealing member **303** enters the coupling member as shown in FIG. **27**. If the pulses of the projections **303d** of the sealing member **303** and those of the drive transmitting portions **513a** of the movable member **513** are matched, the gear member **512** and the movable member **513** are rotated by unshown main assembly driving mechanism, so that sealing member **303** is rotated through the drive transmitting portion **513a**. When the phases are not matched, the movable member **513** is urged in the direction A in FIG. **33** by the projection **303d** of the sealing member **303**. When the gear member **512** and the movable member **513** are rotated by the main assembly driver with this state, the movable member **513** rotates idle until the phase matching is reached between the projection **303d** of the sealing member **303** and the drive transmitting portion **513a** of the movable member **513**. When the phases are matched, the movable member **513** is slid by the urging means **514** to the position shown in FIG. **33** where the drive transmitting portion **513a** and the elongated projection **303d** of the sealing member **303** are engaged to transmit the driving to the sealing member **303**.

FIG. **36** shows the details of the second coupling member **307**. Designated by **521** is a drive transmission claw. In FIG. **37**, (A) is a sectional front view of the drive transmission claw **521**, (B) is a side view, (C) is a front view, and (D) is an upper surface figure. In FIG. **37**, designated by **521a** is a claw portion, **521b** is a slide guiding portion, **521c** is a

parallel pin groove portion, and 521d is a spring receiving surface. FIG. 38 is a detailed illustration of the transmitting member 306 shown in FIG. 26, wherein (A) is a sectional front view, (B) and (C) are side view, and (D) is a front view. In FIG. 38, designated by 307a is a transmission claw portion.

In FIG. 36, designated by 522 is a driving shaft which is rotatably supported on driving side plates 510 and 511 through bearings 525, 526, and is provided with a one-way gear 527 which is provided with an integral one way 527a, which transmits rotation only in one rotational direction.

The driving transmission pawl or claw 521 is slidable by engagement between the slide guiding portion 521b and the driving shaft 522, and by engagement with the parallel pin groove portion, the rotation of the driving shaft 522 is transmitted to the drive transmission claw 521. Designated by 524 is urging means which is contacted to the spring seat 528 and the spring receiving surface 521d of the drive transmission claw 521.

A description will be provided as to an operation of the second coupling member 307. The drive transmission claw 521 of the second coupling member 307 is movable in the direction A in FIG. 39 because of the structure described in the foregoing, and is normally urged to a position shown in FIG. 36 by the urging means 524. When the toner supply container 301 is mounted to the main assembly 100 of the apparatus, the transmitting member 306 enters the second coupling member 307. When the phase relation is such that transmission claw portions 307a of the transmitting member 307 are abutted to the claw portions 521a of the drive transmission claw 521.

The claw portions 521a of the drive transmission claw 521 are rotated by the transmission claw portions 307a of the reaching member 307. At this time, the driving shaft 522 rotates with the rotation of the transmission member 306, but it rotates idle due to the one way clutch 527a portion of the one way gear 527, and therefore, when the toner supply container 301 is mounted to the main assembly 100 of the apparatus, the drive transmission claw 521 and the transmitting member 306 are not interfered with.

In the toner supply container in the state shown in FIG. 23 to which it is moved from the position shown in FIG. 24, the drive transmission claw 521 moved by the urging means 524 with the reaction of transmitting member 306 to the left, so that engagement between the transmission claw portion 306a of the transmitting member 306 and the claw portion 521a of the drive transmission claw 521 is maintained.

Thus, the transmitting member 306 receives the rotational driving force through the one way gear 527, driving shaft 522 and the drive transmission claw 521 from the unshown main assembly driving means, so that stirring member 305 is rotated.

A description will be provided as to discharging of the toner.

When the toner supply container 301 is mounted to the main assembly 100 of the apparatus, the locking portion 303e at the end of the sealing member 303 is locked with the locking member 51C of the image forming apparatus, and is supported at a position away from the toner supply port 301g of the main body 301A of the container. At this time, the engaging relation, in the rotational direction, between the feeding member 302 and the sealing member 303 is maintained.

The sealing member 303 is engaged with a first coupling member 304 of the main assembly of the apparatus by the coupling engaging portion (driving force receiving portion)

303C. The first coupling member 304 receives the rotation through the drive transmitting means (unshown) such as a gear or the like from the driving source (unshown) such as a motor or the like of the main assembly of the apparatus, and is transmitted to the sealing member 303 through engagement with the spline-like projections 303d. It is further transmitted to the feeding member 302 through engagement with the free end 302a of the feeding member 302 to the non-circular or square hole 303a. Similarly, the transmitting member 306 engaged with the one end 304d of the stirring member 304 is engaged with a second coupling member 307 of the main assembly of the apparatus. The second coupling member 307 of the main assembly of the apparatus receives the rotation force through the (unshown) drive transmitting means such as a gear from the driving source (unshown) such as a motor of the main assembly of the apparatus, and is transmitted to the stirring member 304 through the engagement with the engaging claw 306a. The rotational frequencies of the feeding member 302 and the stirring member 304 are approximately 52 rotations/min. and approximately 10 rotations/min. in this embodiment.

When the stirring member 304 rotates, the toner which has been caked by removal of air due to long term non-use or due to vibration during transportations, is loosened, and is fed toward the toner supply port portion 301a by rotation of the feeding member 302, and is discharged and let fall through the toner supply port 1g to be supplied to the toner hopper 201a.

The discharging experiments were carried out using the containers of the structures. The main body of the container is filled with toner, and the toner was discharged by the stirring member rotated at a speed of approximately 10 rotations/min., and by the feeding member rotated at a speed of approximately 52 rotations/min. The sieve (opening is 75 μm , and made of SUS) was used to check existence of larger particles, and it was confirmed that no large particle exists. The remainder toner amount in the container is 20 g, and therefore, the reducing effect of the toner remaining amount is also confirmed.

In this embodiment, the sealing member 303 is movable in the axial direction relative to the feeding member 302, but the sealing member and the feeding member may be integral. In FIG. 39, the sealing member 320 includes the sealing portion 320a, the driving force receiving portion 320b and the sealing member 320. The sealing member 320 is movable in the direction A in FIG. 39.

The driving portion (driving force transmitting portion) 303a of the sealing member 303 may be provided with a seal. In FIG. 40, (A) is a front view of the sealing member having the seal, (B) is a side view thereof, and (C) is a cross-sectional view thereof.

Designated by 330 is a seal in the form of a disk, and has a polygonal hole 330a corresponding to the configuration of the end 302a of the shaft of the stirring member 302. In this embodiment, the cross-sectional configuration of the hole 330a is a regular square which is the same as that of the shaft end 302a. The seal 330 is provided at a side of the sealing member 303 opposing to the main body of the container, and the shaft end 302a of the stirring member 302 penetrates the hole 330a and the shaft is loosely fitted in the hole 330a. FIG. 41 is a front view of a seal 330 according to an embodiment of present invention. Designated by 331 is a double coated tape, and is provided on a side of the seal 330 which is opposed to the sealing member 303. The double coated tape 331 has a hole 331a, and when the shaft end 302a is fitted in the hole 303a, the shaft also penetrates the

31

hole **331a**, too. The cross-sectional configuration of the hole **331a** is larger than of the hole **330a** so that double coated tape **331** does not contact the shaft end **302a**. In this embodiment, the sealing member **303** and the seal **330** are fixed to each other with the double coated tape, but another fixing method is usable, for example, the sealing member may be integrally formed by two color molding, insertion molding or the like. FIG. **42** is an enlarged side view of the feeding member **302** and the sealing member **303** according to an embodiment of the present invention. The diameter (W_2) of the hole **330a** is smaller than the shaft diameter ($W_1=6$ mm) of the shaft end **302a**, and more particularly, it is preferable that difference (d) between W_1 and W_2 is 0.5 mm–2 mm. In this embodiment, $W_2=5$ mm, $d=W_1-w_2=1$ mm. The thickness of the seal **330** is preferably 0.5 mm–5 mm from the standpoint of the sealing property and the assembly property. Further preferably, it is 1 mm–3 mm. In this embodiment, the thickness of the seal **330** is approximately 2 mm. The material of the seal **330** is preferably a soft elastic member from the standpoint of the sealing property or assembling property, and in this embodiment, the use is made with low polyurethane foam having a hardness of 20–70°, a compression set of not more than 4% a friction coefficient $\mu=0.8$ or less, a cell size of 60–300 μm , a specific gravity of 0.2–0.5.

The toner is filled into the container of such structures, and the stirring member was rotated at 25 rotations/min. To effect the toner discharging, and thereafter, the sealing member was continuously opened and closed, and as a result, it was confirmed that toner did not enter to the rear of the hole **303a** with good sealing property.

Similar experiments were carried out using the containers having the seal of rubber, of silicon or urethane, thermoplastic elastomer and sponge of polystyrene, polyolefin, polyurethane, polyester or polyamide. As a result, the same results were confirmed as with the low polyurethane foam.

While the invention has been described with reference to the structures disclosed herein, it is not confined to the details set forth and this application is intended to cover such modifications or changes as may come within the purposes of the improvements or the scope of the following claims.

What is claimed is:

1. A toner supply container detachably mountable to a main assembly of an electrophotographic image forming apparatus, comprising:

- (a) a toner accommodating portion for accommodating toner;
- (b) a toner supply opening for discharging toner accommodated in said toner accommodating portion;
- (c) a toner feeding member for feeding the toner accommodated in said toner accommodating portion toward said toner supply opening; and
- (d) a sealing member including:
 - a sealing portion for openably sealing said toner supply opening; and
 - a driving portion for driving said toner feeding member.

2. A container according to claim 1, wherein said sealing member has driving force receiving portion for receiving a driving force from a main assembly of said apparatus when said toner supply container is detachably mounted to the main assembly of said apparatus, wherein said toner feeding member is rotated by the driving force received by said driving force receiving portion.

3. A container according to claim 1, wherein said sealing member has an engaging portion engageable with the main

32

assembly of said apparatus to receive a force for unsealing the toner supply opening sealed by said sealing portion when said toner supply container is detachably mounted to the main assembly of said apparatus.

4. A container according to claim 3, wherein said sealing member has a driving force receiving portion for receiving a driving force from a main assembly of said apparatus when said toner supply container is detachably mounted to the main assembly of said apparatus, wherein said toner feeding member is rotated by the driving force received by said driving force receiving portion, wherein said sealing member has said sealing portion, said driving force receiving portion, and said engaging portion on an outside thereof in this order from one longitudinal end to the other longitudinal end, and wherein said sealing member has a hollow portion extending in a direction from the one longitudinal end to the other longitudinal end.

5. A container according to claim 4, wherein said sealing member further includes a seal for preventing the entering of the toner to said driving portion at said one end thereof.

6. A container according to claim 3, wherein said sealing member has a driving force receiving portion for receiving a driving force from a main assembly of said apparatus when said toner supply container is detachably mounted to the main assembly of said apparatus, wherein said toner feeding member is rotated by the driving force received by said driving force receiving portion, wherein said sealing member having the sealing portion, the driving force receiving portion, the driving portion, and the engaging portion is made of resin material and is integrally molded.

7. A container according to claim 4, wherein the hollow portion has a cross-section of a polygonal shape.

8. A container according to claim 2, wherein said driving force receiving portion is in the form of a rib provided on an outer surface of said sealing member.

9. A container according to claim 8, wherein two of such ribs are provided at intervals of 180°.

10. A container according to claim 8, wherein the rib has a height of 0.5 mm–0.3 mm from an outer surface of said sealing member.

11. A container according to claim 1, wherein when said toner supply container is detachably mounted to the main assembly of said apparatus, said toner supply container supplies the toner accommodated in said toner accommodating portion into the main assembly of said apparatus through said toner supply opening by said toner feeding member in accordance with consumption of the toner in the main assembly of said apparatus.

12. A toner supply container detachably mountable to a main assembly of an electrophotographic image forming apparatus, comprising:

- (a) a toner accommodating portion for accommodating toner;
- (b) a toner supply opening for discharging toner accommodated in said toner accommodating portion;
- (c) a toner feeding member for feeding the toner accommodated in said toner accommodating portion toward said toner supply opening; and
- (d) a sealing member including:
 - a sealing portion for operably sealing said toner supply opening; and
 - a driving portion for driving said toner feeding member;
 wherein said sealing member has a driving force receiving portion for receiving a driving force from a main assembly of said apparatus when said toner supply container is detachably mounted to the main

33

assembly of said apparatus, wherein said toner feeding member is rotated by the driving force received by said driving force receiving portion;

wherein said sealing member has an engaging portion engageable with the main assembly of said apparatus to receive a force for unsealing the toner supply opening sealed by said sealing portion when said toner supply container is detachably mounted to the main assembly of said apparatus; and

wherein said sealing member has said sealing portion, said driving force receiving portion, and said engaging portion on an outside thereof in this order from one longitudinal end to the other longitudinal end, and wherein said sealing member has a hollow portion extending in a direction from the one longitudinal end to the other longitudinal end.

13. A container according to claim **12**, wherein said sealing member further includes a seal for preventing the entering of the toner to said driving portion at said one end thereof.

14. A container according to claim **13**, wherein said sealing member having the sealing portion, the driving force receiving portion, the driving portion, and the engaging portion is made of resin material and is integrally molded.

15. A container according to claim **12**, wherein the hollow portion has a cross-section of a polygonal shape.

16. A container according to claim **12**, wherein said driving force receiving portion is in the form of a rib provided on an outer surface of said sealing member.

17. A container according to claim **16**, wherein two of such ribs are provided at intervals of 180° .

18. A container according to claim **16**, wherein the rib has a height of 0.5 mm–3 mm from an outer surface of said sealing member.

19. A container according to claim **12**, wherein when said toner supply container is detachably mounted to the main assembly of said apparatus, said toner supply container supplies the toner accommodated in said toner accommodating portion into the main assembly of said apparatus through said toner supply opening by said toner feeding member in accordance with consumption of the toner in the main assembly of said apparatus.

20. A toner supply container detachably mountable to a main assembly of an electrophotographic image forming apparatus, comprising:

(a) a toner accommodating portion for accommodating toner;

(b) a toner supply opening for discharging toner accommodated in said toner accommodating portion;

(c) a toner feeding member for feeding the toner accommodated in said toner accommodating portion toward said toner supply opening; and

(d) a sealing member including:

a sealing portion for operably sealing said toner supply opening; and

a driving portion for driving said toner feeding member;

wherein said sealing member has a driving force receiving portion for receiving a driving force from a main assembly of said apparatus when said toner supply container is detachably mounted to the main assembly of said apparatus, wherein said toner feeding member is rotated by the driving force received by said driving force receiving portion, wherein said driving force receiving portion is in the form of a rib provided on an outer surface of said sealing member; wherein said sealing member has an engaging portion engageable with the main assembly of said apparatus

34

to receive a force for unsealing the toner supply opening sealed by said sealing portion when said toner supply container is detachably mounted to the main assembly of said apparatus; and

wherein said sealing member further includes a seal, provided at said one end, for preventing entering of the toner to said driving portion at said one end thereof; and

wherein said sealing member has said sealing portion, said driving force receiving portion, and said engaging portion on an outside thereof in this order from one longitudinal end to the other longitudinal end, wherein a hollow portion has a cross-section of a polygonal shape, and wherein said sealing member having the sealing portion, the driving force receiving portion, the driving portion, and the engaging portion is made of resin material and is integrally molded; and

wherein when said toner supply container is detachably mounted to the main assembly of said apparatus, toner supply container supplies the toner accommodated in said toner accommodating portion into the main assembly of said apparatus through said toner supply opening by said toner feeding member in accordance with consumption of the toner in the main assembly of said apparatus.

21. A container according to claim **20**, wherein two of such ribs are provided at intervals of 180° .

22. A container according to claim **20**, wherein the rib has a height of 0.5 mm–3 mm from an outer surface of said sealing member.

23. A sealing member usable with a toner supply container which is detachably mountable to a main assembly of an electrophotographic image forming apparatus and which includes a toner accommodating portion for accommodating toner, a toner supply opening for discharging the toner accommodated in said toner accommodating portion, and a toner feeding member for feeding the toner accommodated in said toner accommodating portion toward said toner supply opening, said sealing member comprising:

(a) a sealing portion for openably sealing said toner supply opening; and

(b) a driving portion for driving said toner feeding member.

24. A sealing member according to claim **23**, wherein said sealing member has a driving force receiving portion for receiving a driving force from a main assembly of said apparatus when said toner supply container is detachably mounted to the main assembly of said apparatus, wherein said toner feeding member is rotated by the driving force received by said driving force receiving portion.

25. A sealing member according to claim **23**, wherein said sealing member has an engaging portion engageable with the main assembly of said apparatus to receive a force for unsealing the toner supply opening sealed by said sealing portion when said toner supply container is detachably mounted to the main assembly of said apparatus.

26. A sealing member according to claim **25**, wherein said sealing member has a driving force receiving portion for receiving a driving force from a main assembly of said apparatus when said toner supply container is detachably mounted to the main assembly of said apparatus, wherein said toner feeding member is rotated by the driving force received by said driving force receiving portion, wherein said sealing member has had sealing portion, said driving force receiving portion, and said engaging portion on an outside thereof in this order from one longitudinal end to the

35

other longitudinal end, and wherein said sealing member has a hollow portion extending in a direction from the one longitudinal end to the other longitudinal end.

27. A sealing member according to claim 26, wherein said sealing member further includes a seal for preventing the entering of the toner to said driving portion at said one end thereof.

28. A sealing member according to claim 25, wherein said sealing member has a driving force receiving portion for receiving a driving force from a main assembly of said apparatus when said toner supply container is detachably mounted to the main assembly of said apparatus, wherein said toner feeding member is rotated by the driving force received by said driving force receiving portion, wherein said sealing member having the sealing portion, the driving force receiving portion, the driving portion, and the engaging portion is made of resin material and is integrally molded.

29. A sealing member according to claim 26, wherein the hollow portion has a cross-section of a polygonal shape.

30. A sealing member according to claim 24, wherein said driving force receiving portion is in the form of a rib provided on an outer surface of said sealing member.

31. A sealing member according to claim 30 wherein two of such ribs are provided at intervals of 180°.

32. A sealing member according to claim 30, wherein the rib has a height of 0.5 mm–3 mm from an outer surface of said sealing member.

33. A sealing member usable with a toner supply container which is detachably mountable to a main assembly of an electrophotographic image forming apparatus and which includes a toner accommodating portion for accommodating toner, a toner supply opening for discharging the toner accommodated in said toner accommodating portion and a toner feeding member for feeding the toner accommodated in said toner accommodating portion toward said toner supply opening, said sealing member comprising:

- (a) a sealing portion for openably sealing and said toner supply opening; and
- (b) a driving portion for driving said toner feeding member;
- (c) a driving force receiving portion for receiving a driving force from a main assembly of said apparatus when said toner supply container is detachably mounted to the main assembly of said apparatus, wherein said toner feeding member is rotated by the driving force received by said driving force receiving portion; and
- (d) an engaging portion engageable with the main assembly of said apparatus to receive a force for unsealing the toner supply opening sealed by said sealing portion when said toner supply container is detachably mounted to the main assembly of said apparatus;

wherein said sealing member has said sealing portion, said driving force receiving portion, and said engaging portion on an outside thereof in this order from one longitudinal end to the other longitudinal end, and wherein said sealing member has a hollow portion extending in a direction from the one longitudinal end to the other longitudinal end.

34. A sealing member according to claim 33, wherein said sealing member further includes a seal for preventing the entering of the toner to said driving portion at said one end thereof.

35. A sealing member according to claim 34, wherein said sealing member having the sealing portion, the driving force

36

receiving portion, the driving portion, and the engaging portion is made of resin material and is integrally molded.

36. A sealing member according to claim 33, wherein the hollow portion has a cross-sectional of a polygonal shape.

37. A sealing member according to claim 33, wherein said driving force receiving portion is in the form of a rib provided on an outer surface of said sealing member.

38. A sealing member according to claim 37, wherein two of such ribs are provided at intervals of 180°.

39. A sealing member according to claim 37, wherein the rib has a height of 0.5 mm–3 mm from an outer surface of said sealing member.

40. A sealing member usable with a toner supply container which is detachably mountable to a main assembly of an electrophotographic image forming apparatus and which includes a toner accommodating portion for accommodating toner, a toner supply opening for discharging the toner accommodated in said toner accommodating portion and a toner feeding member for feeding the toner accommodated in said toner accommodating portion toward said toner supply opening, said sealing member comprising:

- (a) a sealing portion for openably sealing said toner supply opening;
- (b) a driving portion for driving said toner feeding member;
- (c) a driving force receiving portion for receiving a driving force from a main assembly of said apparatus when said toner supply container is detachably mounted to the main assembly of said apparatus, wherein said toner feeding member is rotated by the driving force received by said driving force receiving portion, wherein said driving force receiving portion is in the form of a rib provided on an outer surface of said sealing member;
- (d) an engaging portion engageable with the main assembly of said apparatus to receive a force for unsealing the toner supply opening sealed by said sealing portion when said toner supply container is detachably mounted to the main assembly of said apparatus; and
- (e) a seal, provided at one end, for preventing the entering of the toner to said driving portion at said one end thereof,

wherein said sealing member has said sealing portion, said driving force receiving portion, and said engaging portion on an outside thereof in this order from one longitudinal end to the other longitudinal end, and wherein said sealing member has a hollow portion extending in a direction from the one longitudinal end to the other longitudinal end, wherein the hollow portion has a square cross-section, and wherein said sealing member having the sealing portion, the driving force receiving portion, the driving portion, and the engaging portion is made of resin material and is integrally molded.

41. A sealing member according to claim 40, wherein two of such ribs are provided at intervals of 180°.

42. A sealing member according to claim 40, wherein the rib has a height of 0.5 mm–3 mm from an outer surface of said sealing member.

43. A sealing member usable with a toner supply container which is detachably mountable to a main assembly of an electrophotographic image forming apparatus and which includes a toner accommodating portion for accommodating toner and a toner supply opening for discharging the toner accommodated in said toner accommodating portion, said sealing member comprising:

37

- (a) a sealing portion for openably sealing the toner supply opening;
- (b) a driving force receiving portion for receiving driving force from the main assembly of said apparatus when said toner supply container is detachably mounted to the main assembly of said apparatus; and
- (c) a toner feeding portion for feeding the toner accommodated in said toner accommodating portion toward said toner supply opening by a driving force received from the main assembly of said apparatus.
44. A toner supply container detachably mountable to a main assembly of an electrophotographic image forming apparatus, comprising:
- (a) a toner accommodating portion for accommodating toner;
- (b) a toner supply opening for discharging toner accommodated in said toner accommodating portion; and
- (c) a sealing member including:
a sealing portion for openably sealing said toner supply opening;
a driving force receiving portion for receiving a driving force for the main assembly of said apparatus when said toner supply container is detachably mounted to the main assembly of said apparatus; and
a toner feeding portion for feeding the toner accommodated in said toner accommodating portion toward said toner supply opening by a driving force received from the main assembly of said apparatus.
45. A toner supply container detachably mountable to a main assembly of an electrophotographic image forming apparatus, comprising:
- (a) a toner accommodating portion for accommodating toner;
- (b) a toner supply opening for discharging toner accommodated in said toner accommodating portion;
- (c) a toner feeding member for feeding the toner accommodated in said toner accommodating portion toward said toner supply opening; and
- (d) a driving member including:
a driving force receiving portion for receiving a driving force for rotating said toner feeding member from the main assembly of said apparatus;
a driving portion for rotating said toner feeding member by the driving force received from the main assembly of said apparatus by said driving force receiving portion; and
an engaging portion engageable with the main assembly of said apparatus to position the driving member relative to the main assembly of said apparatus in a longitudinal direction of said toner supply container when said toner supply container is mounted to the main assembly of said apparatus.
46. An electrophotographic image forming apparatus for forming an image on a recording material, comprising:
- (a) mounting means for detachably mounting a toner supply container, said toner supply container including:
a toner accommodating portion for accommodating toner;
a toner supply opening for discharging toner accommodated in said toner accommodating portion;
a toner feeding member for feeding the toner accommodated in said toner accommodating portion toward said toner supply opening;
a sealing member including:
a sealing portion for openably sealing said toner supply opening; and

38

- a driving portion for driving said toner feeding member; said apparatus further comprising:
- (b) a main assembly side driving portion for supplying a driving force to a driving force receiving portion of said sealing member when said toner supply container is detachably mounted to a main assembly of said apparatus by said mounting means.
47. A sealing member usable with a toner supply container which is detachably mountable to a main assembly of an electrophotographic image forming apparatus and which includes a toner accommodating portion for accommodating toner, a toner supply opening for discharging the toner accommodated in said toner accommodating portion and a toner feeding portion for feeding the toner accommodated in said toner accommodating portion toward said toner supply opening, said sealing member comprising:
- (a) a sealing portion for openably sealing said toner supply opening; and
- (b) a driving portion for driving said toner feeding portion.
48. A toner supply container detachably mountable to a main assembly of an image forming apparatus, comprising:
- (a) a toner accommodating portion for accommodating toner;
- (b) a toner supply opening for discharging toner accommodated in said toner accommodating portion;
- (c) a toner feeding member for feeding the toner accommodated in said toner accommodating portion toward said toner supply opening; and
- (d) a sealing member including:
a sealing portion for openably sealing said toner supply opening; and
a driving portion for driving said toner feeding member.
49. A container according to claim 48, wherein said sealing member has a driving force receiving portion for receiving a driving force from a main assembly of said apparatus when said toner supply container is detachably mounted to the main assembly of said apparatus, wherein said toner feeding member is rotated by the driving force received by said driving force receiving portion.
50. A container according to claim 48, wherein said sealing member has an engaging portion engageable with the main assembly of said apparatus to receive a force for unsealing the toner supply opening sealed by said sealing portion when said toner supply container is detachably mounted to the main assembly of said apparatus.
51. A container according to claim 50, wherein said sealing member has a driving force receiving portion for receiving a driving force from a main assembly of said apparatus when said toner supply container is detachably mounted to the main assembly of said apparatus, wherein said toner feeding member is rotated by the driving force received by said driving force receiving portion, wherein said sealing member has said sealing portion, said driving force receiving portion, and said engaging portion on an outside thereof in this order from one longitudinal end to the other longitudinal end, and wherein said sealing member has a hollow portion extending in a direction from the one longitudinal end to the other longitudinal end.
52. A container according to claim 51, wherein said sealing member further includes a seal for preventing the entering of the toner to said driving portion at said one end thereof.
53. A container according to claim 50, wherein said sealing member has a driving force receiving portion for

receiving a driving force from a main assembly of said apparatus when said toner supply container is detachably mounted to the main assembly of said apparatus, wherein said toner feeding member is rotated by the driving force received by said driving force receiving portion, wherein said sealing member having the sealing portion, the driving force receiving portion, the driving portion, and the engaging portion is made of resin material and is integrally molded.

54. A container according to claim 51, wherein the hollow portion has a cross-section of a polygonal shape.

55. A container according to claim 49, wherein said driving force receiving portion is in the form of a rib provided on an outer surface of said sealing member.

56. A container according to claim 55, wherein two of such ribs are provided at intervals of 180°.

57. A container according to claim 55, wherein the rib has a height of 0.5 mm–3 mm from an outer surface of said sealing member.

58. A container according to claim 48, wherein when said toner supply container is detachably mounted to the main assembly of said apparatus, said toner supply container supplies the toner accommodated in said toner accommodating portion into the main assembly of said apparatus through said toner supply opening by said toner feeding member in accordance with consumption of the toner in the main assembly of said apparatus.

59. A toner supply container detachably mountable to a main assembly of an image forming apparatus, comprising:

(a) a toner accommodating portion for accommodating toner;

(b) a toner supply opening for discharging toner accommodated in said toner accommodating portion;

(c) a toner feeding member for feeding the toner accommodated in said toner accommodating portion toward said toner supply opening; and

(d) a sealing member including:
a sealing portion for openably sealing said toner supply opening; and

a driving portion for driving said toner feeding member;

wherein said sealing member has a driving force receiving portion for receiving a driving force from a main assembly of said apparatus when said toner supply container is detachably mounted to the main assembly of said apparatus, wherein said toner feeding member is rotated by the driving force received by said driving force receiving portion;

wherein said sealing member has an engaging portion engageable with the main assembly of said apparatus to receive a force for unsealing the toner supply opening sealed by said sealing portion when said toner supply container is detachably mounted to the main assembly of said apparatus; and

wherein said sealing member has said sealing portion, said driving force receiving portion, and said engaging portion on an outside thereof in this order from one longitudinal end to the other longitudinal end, and wherein said sealing member has a hollow portion extending in a direction from the one longitudinal end to the other longitudinal end.

60. A container according to claim 59, wherein said sealing member further includes a seal for preventing the entering of the toner to said driving portion at said one end thereof.

61. A container according to claim 60, wherein said sealing member having the sealing portion, the driving force

receiving portion, the driving portion, and the engaging portion is made of resin material and is integrally molded.

62. A container according to claim 59, wherein the hollow portion has a cross-section of a polygonal shape.

63. A container according to claim 59, wherein said driving force receiving portion is in the form of a rib provided on an outer surface of said sealing member.

64. A container according to claim 63, wherein two of such ribs are provided at intervals of 180°.

65. A container according to claim 63, wherein the rib has a height of 0.5 mm–3 mm from an outer surface of said sealing member.

66. A container according to claim 59, wherein when said toner supply container is detachably mounted to the main assembly of said apparatus, said toner supply container supplies the toner accommodated in said toner accommodating portion into the main assembly of said apparatus through said toner supply opening by said toner feeding member in accordance with consumption of the toner in the main assembly of said apparatus.

67. A toner supply container detachably mountable to a main assembly of an image forming apparatus, comprising:

(a) a toner accommodating portion for accommodating toner;

(b) a toner supply opening for discharging toner accommodated in said toner accommodating portion;

(c) a toner feeding member for feeding the toner accommodated in said toner accommodating portion toward said toner supply opening; and

(d) a sealing member including:
a sealing portion for operably sealing said toner supply opening; and
a driving portion for driving said toner feeding member;

wherein said sealing member has a driving force receiving portion for receiving a driving force from a main assembly of said apparatus when said toner supply container is detachably mounted to the main assembly of said apparatus, wherein said toner feeding member is rotated by the driving force received by said driving force receiving portion, wherein said driving force receiving portion is in the form of a rib provided on an outer surface of said sealing member;

wherein said sealing member has an engaging portion engageable with the main assembly of said apparatus to receive a force for unsealing the toner supply opening sealed by said sealing portion when said toner supply container is detachably mounted to the main assembly of said apparatus; and

wherein said sealing member further includes a seal, provided at one said one end, for preventing entering of the toner to said driving portion at said one end thereof; and

wherein said sealing member has said sealing portion, said driving force receiving portion, and said engaging portion on an outside thereof in this order from one longitudinal end to the other longitudinal end, wherein a hollow portion has a cross-section of a polygonal shape, and wherein said sealing member having the sealing portion, the driving force receiving portion, the driving portion, and the engaging portion is made of resin material and is integrally molded; and

wherein when said toner supply container is detachably mounted to the main assembly of said apparatus, toner supply container supplies the toner accommodated in said toner accommodating portion into the main

assembly of said apparatus through said toner supply opening by said toner feeding member in accordance with consumption of the toner in the main assembly of said apparatus.

68. A container according to claim 67, wherein two of such ribs are provided at intervals of 180°.

69. A container according to claim 67, wherein the rib has a height of 0.5 mm–3 mm from an outer surface of said sealing member.

70. A sealing member usable with a toner supply container which is detachably mountable to a main assembly of an image forming apparatus and which includes a toner accommodating portion for accommodating toner, a toner supply opening for discharging the toner accommodated in said toner accommodating portion, and a toner feeding member for feeding the toner accommodated in said toner accommodating portion toward said toner supply opening, said sealing member comprising:

(a) a sealing portion for openably sealing said toner supply opening; and

(b) a driving portion for driving said toner feeding member.

71. A sealing member according to claim 70, wherein said sealing member has a driving force receiving portion for receiving a driving force from a main assembly of said apparatus when said toner supply container is detachably mounted to the main assembly of said apparatus, wherein said toner feeding member is rotated by the driving force received by said driving force receiving portion.

72. A sealing member according to claim 70, wherein said sealing member has an engaging portion engageable with the main assembly of said apparatus to receive a force a unsealing the toner supply opening sealed by said sealing portion when said toner supply container is detachably mounted to the main assembly of said apparatus.

73. A sealing member according to claim 72, wherein said sealing member has a driving force receiving portion for receiving a driving force from a main assembly of said apparatus when said toner supply container is detachably mounted to the main assembly of said apparatus, wherein said toner feeding member is rotated by the driving force received by said driving force receiving portion, wherein said sealing member has said sealing portion, said driving force receiving portion, and said engaging portion on an outside thereof in this order from one longitudinal end to the other longitudinal end, and wherein said sealing member has a hollow portion extending in a direction from the one longitudinal end to the other longitudinal end.

74. A sealing member according to claim 73, wherein said sealing member further includes a seal for preventing the entering of the toner to said driving portion at said one end thereof.

75. A sealing member according to claim 72, wherein said sealing member has a driving force receiving portion for receiving a driving force from a main assembly of said apparatus when said toner supply container is detachably mounted to the main assembly of said apparatus, wherein said toner feeding member is rotated by the driving force received by said driving force receiving portion, wherein said sealing member having the sealing portion, the driving force receiving portion, the driving portion, and the engaging portion is made of resin material and is integrally molded.

76. A sealing member according to claim 73, wherein the hollow portion has a cross-section of a polygonal shape.

77. A sealing member according to claim 71, wherein said driving force receiving portion is in the form of a rib provided on an outer surface of said sealing member.

78. A sealing member according to claim 77, wherein two of such ribs are provided at intervals of 180°.

79. A sealing member according to claim 77, wherein the rib has a height of 0.5 mm–3 mm from an outer surface of said sealing member.

80. A sealing member usable with a toner supply container which is detachably mountable to a main assembly of an image forming apparatus and which includes a toner accommodating portion for accommodating toner, a toner supply opening for discharging the toner accommodated in said toner accommodating portion and a toner feeding member for feeding the toner accommodated in said toner accommodating portion toward said toner supply opening, and sealing member comprising:

(a) a sealing portion for openably sealing said toner supply opening; and

(b) a driving portion for driving said toner feeding member;

(c) a driving force receiving portion for receiving a driving force from a main assembly of said apparatus when said toner supply container is detachably mounted to the main assembly of said apparatus, wherein said toner feeding member is rotated by the driving force received by said driving force receiving portion; and

(d) an engaging portion engageable with the main assembly of said apparatus to receive a force for unsealing the toner supply opening sealed by said sealing portion when said toner supply container is detachably mounted to the main assembly of said apparatus;

wherein said sealing member has said sealing portion, said driving force receiving portion, and said engaging portion on an outside thereof in this order from one longitudinal end to the other longitudinal end, and wherein said sealing member has a hollow portion extending in a direction from the one longitudinal end to the other longitudinal end.

81. A sealing member according to claim 80, wherein said sealing member further includes a seal preventing the entering of the toner of said driving portion at said one end thereof.

82. A sealing member according to claim 81, wherein said sealing member having the sealing portion, the driving force receiving portion, the driving portion, and the engaging portion is made of resin material and is integrally molded.

83. A sealing member according to claim 80, wherein the hollow portion has a cross-section of a polygonal shape.

84. A sealing member according to claim 80, wherein said driving force receiving portion is in the form of a rib provided on an outer surface of said sealing member.

85. A sealing member according to claim 84, wherein two of such ribs are provided at intervals of 180°.

86. A sealing member according to claim 84, wherein the rib has a height of 0.5 mm–3 mm from an outer surface of said sealing member.

87. A sealing member usable with a toner supply container which is detachably mountable to a main assembly of an image forming apparatus and which includes a toner accommodating portion for accommodating toner, a toner supply opening for discharging the toner accommodated in said toner accommodating portion and a toner feeding member for feeding the toner accommodated in said toner accommodating portion toward said toner supply opening, said sealing member comprising:

(a) a sealing portion for openably sealing said toner supply opening;

- (b) a driving portion for driving said toner feeding member;
- (c) a driving force receiving portion for receiving a driving force from a main assembly of said apparatus when said toner supply container is detachably mounted to the main assembly of said apparatus, wherein said toner feeding member is rotated by the driving force received by said driving force receiving portion, wherein said driving force receiving portion is in the form of a rib provided on an outer surface of said sealing member;
- (d) an engaging portion engageable with the main assembly of said apparatus to receive a force for unsealing the toner supply opening sealed by said sealing portion when said toner supply container is detachably mounted to the main assembly of said apparatus; and
- (e) a seal, provided at one end, for preventing the entering of the toner to said driving portion at said one end thereof,
- wherein said sealing member has said sealing portion, said driving force receiving portion, and said engaging portion on an outside thereof in this order from one longitudinal end to the other longitudinal end, and wherein said sealing member has a hollow portion extending in a direction from the one longitudinal end to the other longitudinal end, wherein the hollow portion has a square cross-section, and wherein said sealing member having the sealing portion, the driving force receiving portion, the driving portion, and the engaging portion is made of resin material and is integrally molded.
88. A sealing member according to claim 87, wherein two of such ribs are provided at intervals of 180°.
89. A sealing member according to claim 87, wherein the rib has a height of 0.5 mm–3 mm from an outer surface of said sealing member.
90. A sealing member usable with a toner supply container which is detachably mountable to a main assembly of an image forming apparatus and which includes a toner accommodating portion for accommodating toner and a toner supply opening for discharging the toner accommodated in said toner accommodating portion, said sealing member comprising:
- (a) a sealing portion for openably sealing the toner supply opening;
- (b) a driving force receiving portion for receiving driving force from the main assembly of said apparatus when said toner supply container is detachably mounted to the main assembly of said apparatus; and
- (c) a toner feeding portion for feeding the toner accommodated in said toner accommodating portion toward said toner supply opening by a driving force received from the main assembly of said apparatus.
91. A toner supply container detachably mountable to a main assembly of an image forming apparatus, comprising:
- (a) a toner accommodating portion for accommodating toner;
- (b) a toner supply opening for discharging toner accommodated in said toner accommodating portion; and
- (c) a sealing member including:
- a sealing portion for openably sealing said toner supply opening;
- a driving force receiving portion for receiving a driving force for the main assembly of said apparatus when said toner supply container is detachably mounted to the main assembly of said apparatus; and

- a toner feeding portion for feeding the toner accommodated in said toner accommodating portion toward said toner supply opening by a driving force received from the main assembly of said apparatus.
92. A toner supply container detachably mountable to a main assembly of an image forming apparatus, comprising:
- (a) a toner accommodating portion for accommodating toner;
- (b) a toner supply opening for discharging toner accommodated in said toner accommodating portion;
- (c) a toner feeding member for feeding the toner accommodated in said toner accommodating portion toward said toner supply opening; and
- (d) a driving member including:
- a driving force receiving portion for receiving a driving force for rotating said toner feeding member from the main assembly of said apparatus;
- a driving portion for rotating said toner feeding member by the driving force received from the main assembly of said apparatus by said driving force receiving portion; and
- an engaging portion engageable with the main assembly of said apparatus to position the driving member relative to the main assembly of said apparatus in a longitudinal direction of said toner supply container when said toner supply container is mounted to the main assembly of said apparatus.
93. An image apparatus for forming an image on a recording material comprising:
- (a) mounting means for detachably mounting a toner supply container, said toner supply container including:
- a toner accommodating portion for accommodating toner;
- a toner supply opening for discharging toner accommodated in said toner accommodating portion;
- a toner feeding member for feeding the toner accommodated in said toner accommodating portion toward said toner supply opening;
- a sealing member including:
- a sealing portion for openably sealing said toner supply opening; and
- a driving portion for driving said toner feeding member; said apparatus further comprising:
- (b) a main assembly side driving portion for supplying a driving force to a driving force receiving portion of said sealing member when said toner supply container is detachably mounted to a main assembly of said apparatus by said mounting means.
94. A sealing member usable with a toner supply container which is detachably mountable to a main assembly of an image forming apparatus and which includes a toner accommodating portion for accommodating toner, a toner supply opening for discharging the toner accommodated in said toner accommodating portion and a toner feeding portion for feeding the toner accommodated in said toner accommodating portion toward said toner supply opening, said sealing member comprising:
- (a) a sealing portion for openably sealing said toner supply opening; and
- (b) a driving portion for driving said toner feeding portion.

UNITED STATES PATENT AND TRADEMARK OFFICE
CERTIFICATE OF CORRECTION

PATENT NO. : RE 38,737 E
APPLICATION NO. : 10/262058
DATED : May 24, 2005
INVENTOR(S) : Yutaka Ban et al.

Page 1 of 3

It is certified that error appears in the above-identified patent and that said Letters Patent is hereby corrected as shown below:

ON THE TITLE PAGE, At (56) References Cited, U.S. PATENT DOCUMENTS
insert --5,057,872 10/1991 Saijo--.

ON THE TITLE PAGE, At (56) References Cited, FOREIGN PATENT DOCUMENTS

“JP 63-85660	9/1986”	should read	--JP 63-85660	4/1988--.
“JP 64-23054	7/1987”	should read	--JP 64-23054	2/1989--.
“JP 3-2882	5/1989”	should read	--JP 3-2882	1/1991--.
“JP 6-348121	7/1993”	should read	--JP 6-348121	12/1994--.
“JP 8-211719	2/1995”	should read	--JP 8-211719	8/1996--.
“JP 10-319696	5/1997”	should read	--JP 10-319696	12/1998--.
“JP 61116372”		should read	--JP 61-116372--.	
“JP 07044000”		should read	--JP 7-044000--.	
“JP 07113796”		should read	--JP 7-113796--.	

ON THE TITLE PAGE, At (57) ABSTRACT:

Line 3, “include” should read --includes--.

COLUMN 4:

Line 9, “thereof.” should read --thereof,--.

COLUMN 6:

Line 26, “member” should read --member,--.

Line 27, “by,” should read --by--.

COLUMN 7:

Line 52, “engaged” should read --engage--.

COLUMN 8:

Line 21, “with” should read --will--.

COLUMN 9:

Line 58, “used” should read --used as--.

COLUMN 10:

Line 13, “transportion” should read --transportation--.

COLUMN 11:

Line 40, “side” should read --slide--.

Line 51, “anti-clock” should read --counterclockwise--.

Line 60, “is” should be deleted.

UNITED STATES PATENT AND TRADEMARK OFFICE
CERTIFICATE OF CORRECTION

PATENT NO. : RE 38,737 E
APPLICATION NO. : 10/262058
DATED : May 24, 2005
INVENTOR(S) : Yutaka Ban et al.

Page 2 of 3

It is certified that error appears in the above-identified patent and that said Letters Patent is hereby corrected as shown below:

COLUMN 12:

Line 28, "counterclockwisely" should read --counterclockwise--.

Line 57, "clockwisely." should read --clockwise.--.

COLUMN 14:

Line 65, "properly" should read --properly by--.

COLUMN 15:

Line 61, "is mounted" should read --be mounted--.

COLUMN 16:

Line 12, "mounting" should read --mounted--.

COLUMN 17:

Line 54, "is" should read --are--.

COLUMN 21:

Line 24, "use" should read --user--.

COLUMN 23:

Line 29, "approximately" should read --approximately at a--.

COLUMN 24:

Line 52, "Embodiment" should read --Embodiments--.

COLUMN 25:

Line 28, "are" should read --is--.

Line 60, "the" should be deleted.

COLUMN 26:

Line 16, "division" should read --divisions--.

COLUMN 27:

Line 38, "(upper" should read --(higher--.

Line 53, "securedly" should read --securely--.

COLUMN 29:

Line 4, "view," (second occurrence) should read --views--.

UNITED STATES PATENT AND TRADEMARK OFFICE
CERTIFICATE OF CORRECTION

PATENT NO. : RE 38,737 E
APPLICATION NO. : 10/262058
DATED : May 24, 2005
INVENTOR(S) : Yutaka Ban et al.

Page 3 of 3

It is certified that error appears in the above-identified patent and that said Letters Patent is hereby corrected as shown below:

COLUMN 30:

Line 59, "to" should be deleted.

COLUMN 32:

Line 30, "or" should read --of--.

COLUMN 34:

Line 65, "has had" should read--has said--.

COLUMN 35:

Line 38, "and said" should read --said--.

Line 39, "and" should be deleted

COLUMN 36:

Line 4, "cross-sectional" should read --cross-section--.

Line 39, "apparatus: and" should read --apparatus; and--.

COLUMN 41:

Line 32, "a force a" should read --a force for--.

COLUMN 42:

Line 14, "and" should read --said--.


Line 39, "seal" should read --seal for--.

COLUMN 44:

Line 29, "material" should read --material,--.

Signed and Sealed this

Twentieth Day of February, 2007

A handwritten signature in black ink on a dotted background. The signature reads "Jon W. Dudas" in a cursive style.

JON W. DUDAS

Director of the United States Patent and Trademark Office