



US00RE38643E1

(19) **United States**
 (12) **Reissued Patent**
Sugaya et al.

(10) **Patent Number: US RE38,643 E**
 (45) **Date of Reissued Patent: Nov. 2, 2004**

(54) **OPTICAL DISK HAVING SPECIFIED TRACK PITCH, AND OPTICAL DISK APPARATUS**

(75) Inventors: **Toshihiro Sugaya, Tokyo (JP); Yoshinori Honguh, Tokyo (JP)**

(73) Assignee: **Kabushiki Kaisha Toshiba, Tokyo (JP)**

(21) Appl. No.: **09/964,321**

(22) Filed: **Sep. 27, 2001**

Related U.S. Patent Documents

Reissue of:

(64) Patent No.: **5,959,963**
 Issued: **Sep. 28, 1999**
 Appl. No.: **09/096,744**
 Filed: **Jun. 12, 1998**

U.S. Applications:

(63) Continuation of application No. 08/778,313, filed on Jan. 2, 1997, now Pat. No. 5,777,981, which is a continuation of application No. 08/541,598, filed on Oct. 10, 1995, now Pat. No. 5,602,825, which is a continuation-in-part of application No. 08/475,494, filed on Jun. 7, 1995, now Pat. No. 5,592,464, which is a continuation of application No. 08/304,849, filed on Sep. 13, 1994, now Pat. No. 5,459,712.

(30) **Foreign Application Priority Data**

Jan. 19, 1994 (JP) 6-004230
 Mar. 29, 1994 (JP) 6-002934

(51) **Int. Cl.**⁷ **G11B 7/24**

(52) **U.S. Cl.** **369/275.4; 369/275.3**

(58) **Field of Search** 369/275.4, 275.3, 369/275.2, 275.1, 275.5, 13.41, 14, 288, 283, 286, 284, 100, 124.1, 44.26; 428/694 ML, 694 MM

(56) **References Cited**

U.S. PATENT DOCUMENTS

4,587,648 A 5/1986 Ando
 4,734,904 A 3/1988 Imanaka
 5,060,223 A 10/1991 Segawa
 5,107,486 A 4/1992 Inui

5,216,665 A 6/1993 Imataki
 5,274,623 A 12/1993 Usami
 5,317,397 A * 5/1994 Odaka et al. 348/416
 5,459,712 A 10/1995 Sugaya
 5,592,464 A 1/1997 Sugaya
 5,602,825 A 2/1997 Sugaya
 5,708,651 A 1/1998 Sugaya et al.
 5,777,981 A * 7/1998 Sugaya et al.
 6,261,707 B1 * 7/2001 Murakami et al. ... 428/694 ML

FOREIGN PATENT DOCUMENTS

EP 0 132 137 A2 1/1985
 EP 0 132 137 B1 12/1990
 EP 0 553 541 A1 8/1993
 EP 0 553 573 A1 8/1993

OTHER PUBLICATIONS

Jozef Braat, Principles of Optical Disc Systems, Ch. 2, "Read-out of Optical Discs", Sec. 2.2.3, pp. 17-19 (1985).

(List continued on next page.)

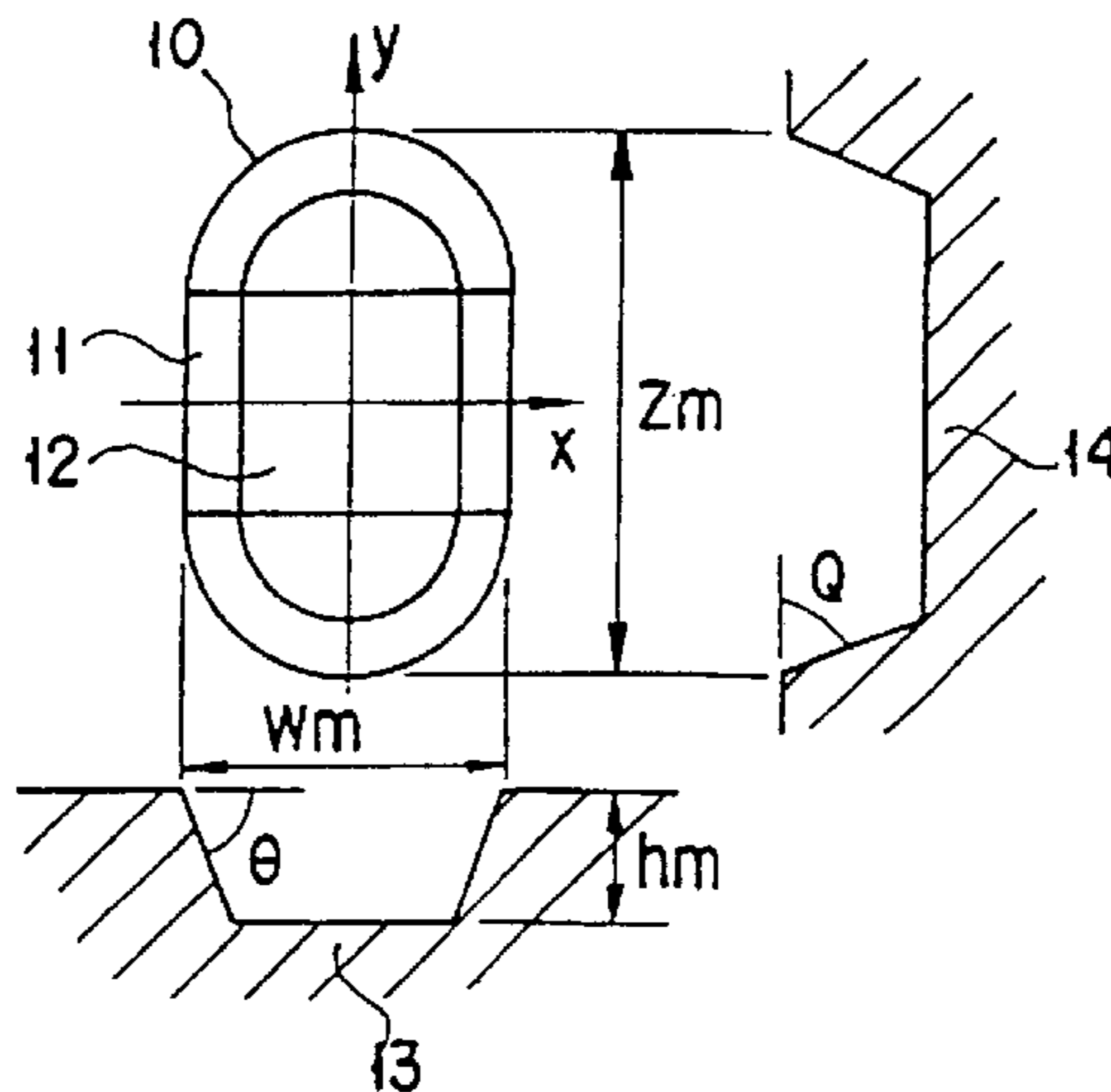
Primary Examiner—Ali Neyzari

(74) *Attorney, Agent, or Firm*—Pillsbury Winthrop LLP

(57) **ABSTRACT**

An optical disk with sectional trapezoidal pits comprising a substrate having information recorded by a plurality of pit trains formed thereon at a specified track pitch, and a reflective layer formed on the substrate, wherein the information is reproduced by being irradiated with light beam via an objective lens, the track pitch is set within the range of $(0.72 \text{ to } 0.8) \alpha \times \lambda / \text{NA} / 1.14 \mu\text{m}$ when a wavelength of the light beam is $\mu \text{ nm}$ and a numerical aperture of the objective lens is NA, each of the pits is a multiplication ratio used to secure allowable disk tilt angles in an upper width within the range of $(0.3 \text{ to } 0.50) \alpha \times \lambda / \text{NA} / 1.14 \mu\text{m}$, a bottom width within the range of $(0.2 \text{ to } 0.32) \alpha \times \lambda / \text{NA} / 1.14 \mu\text{m}$ and a depth within the range of $(1/4.2 \times \lambda / n)$ to $(1/5.2 \lambda / n)$ (n : refractive index of said substrate and λ : a wavelength) and obtained by $2.623 \times 10^{-7} \times (d/\lambda)^2 - 1.706 \times 10^{-4} (d_s/\lambda) + 0.934$, where d_s is thickness of the substrate.

14 Claims, 17 Drawing Sheets



OTHER PUBLICATIONS

Terao et al., Fundamentals of Optical Memory, "Recordable and Erasable Optical Memory Medium", pp. 60-61 (1990).

K. Yamada et al., "Tracking Method for Optical Disk Systems with Composite Detection", Abstracts of Lectures

given at the 54th Meeting of the Japanese Society of Applied Physics Sep. 27, 1993, 28a-SF-16, p. 1009.

Sugaya et al., "Performance of a 600 Mbyte 90 mm Phase-Change Optical Disk Against Disk Tilt", *Jpn. J. Appl. Phys.* vol. 32:5402-5405 (1993).

* cited by examiner

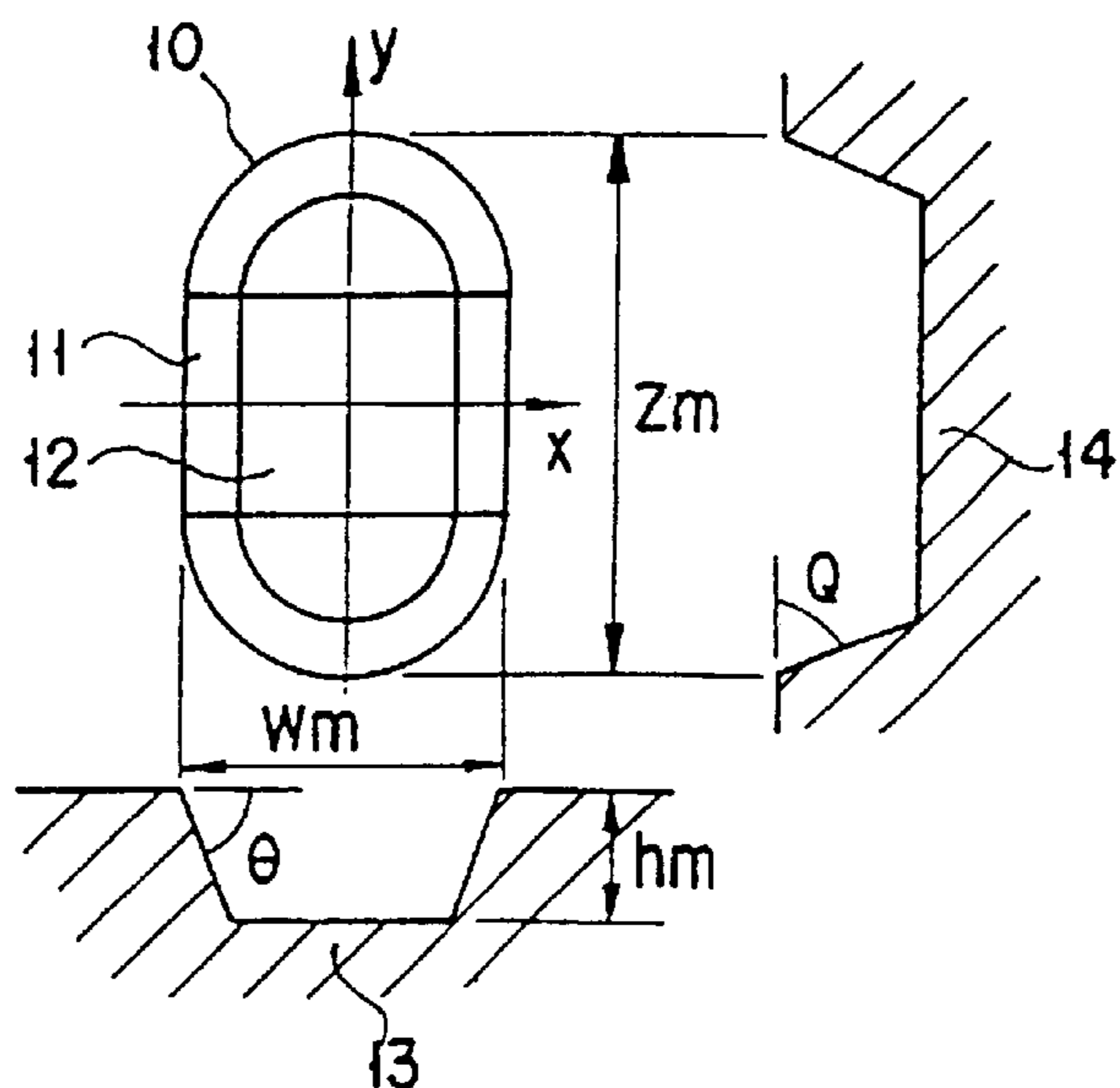


FIG. 1

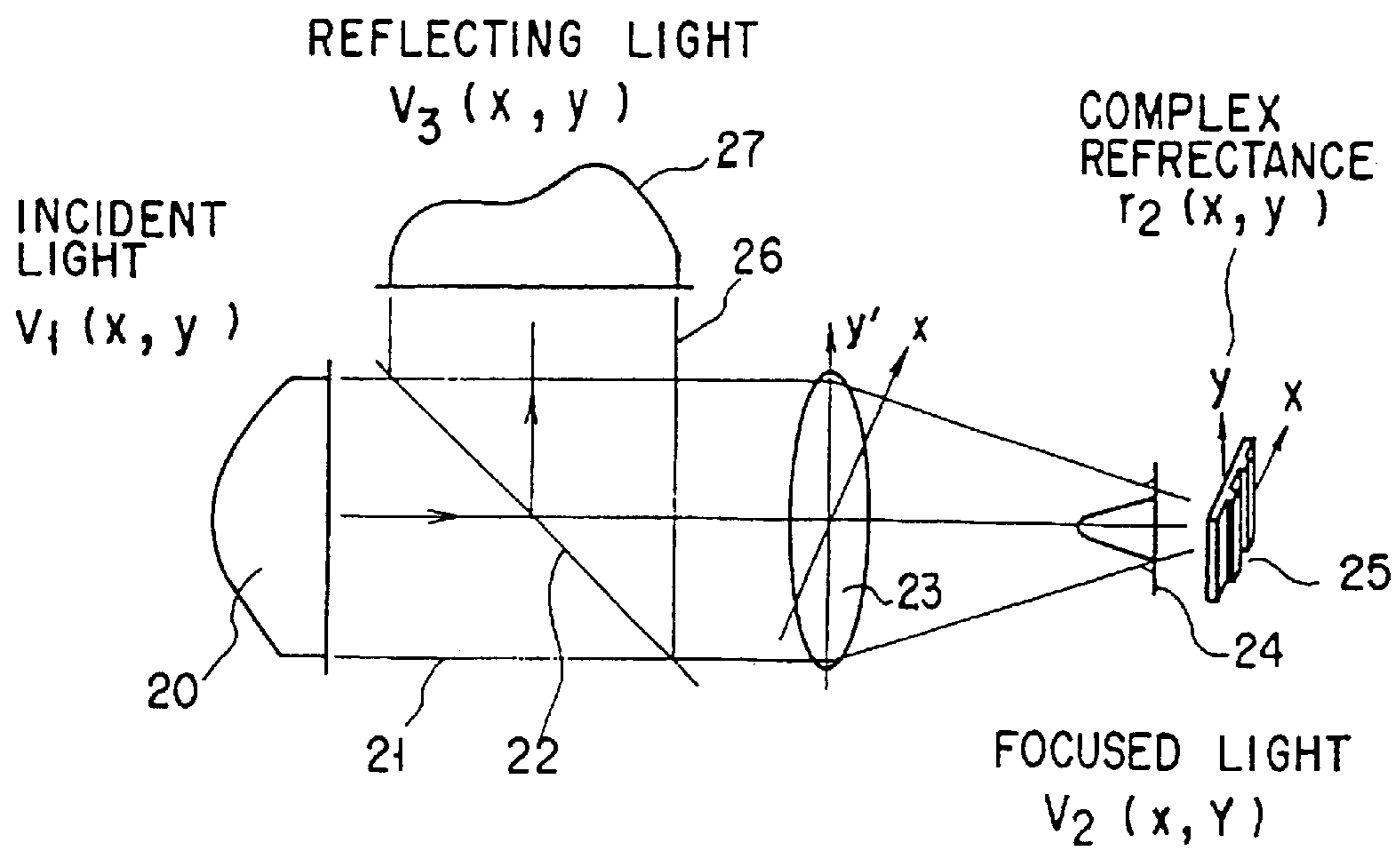


FIG. 2

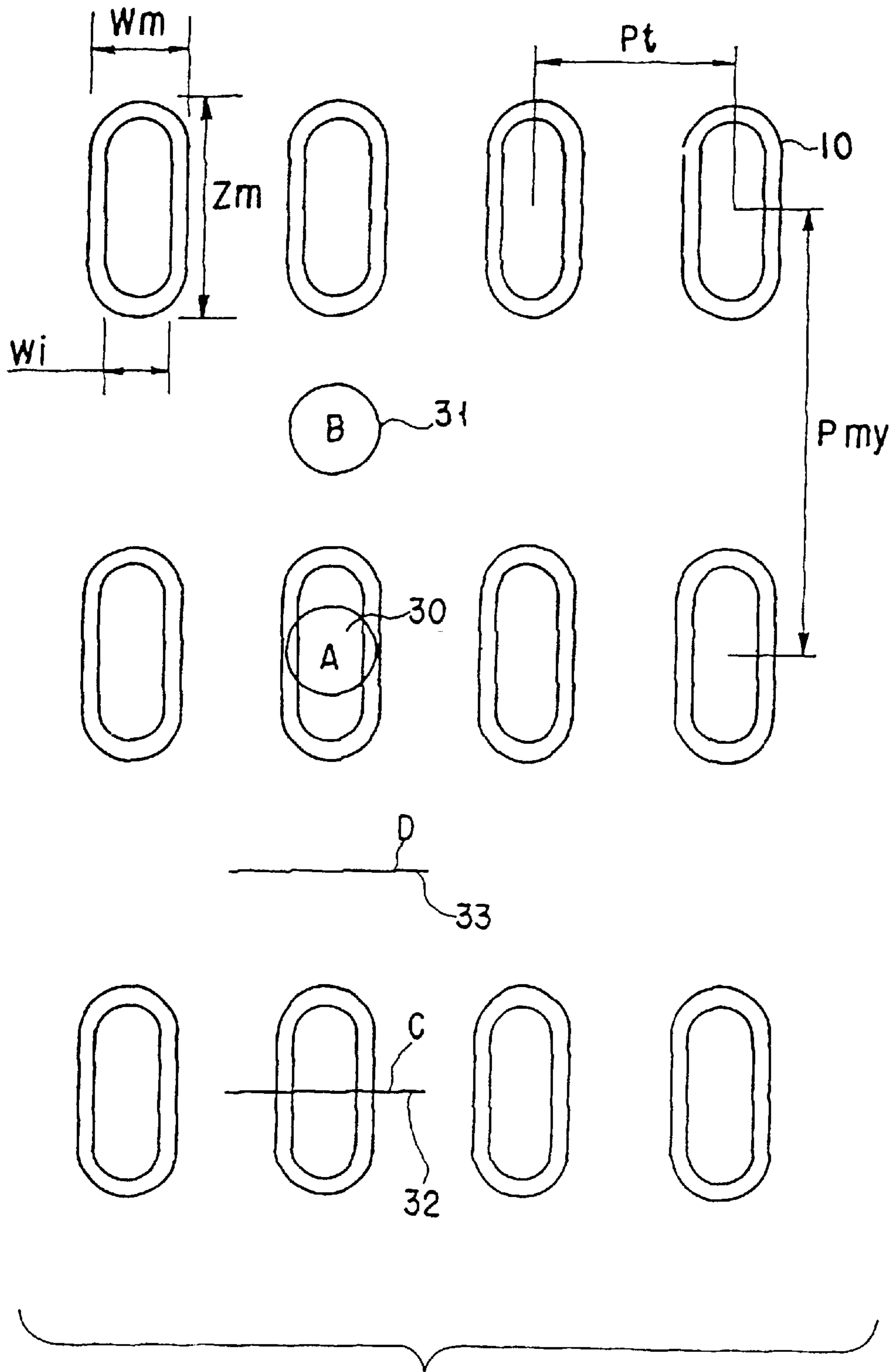
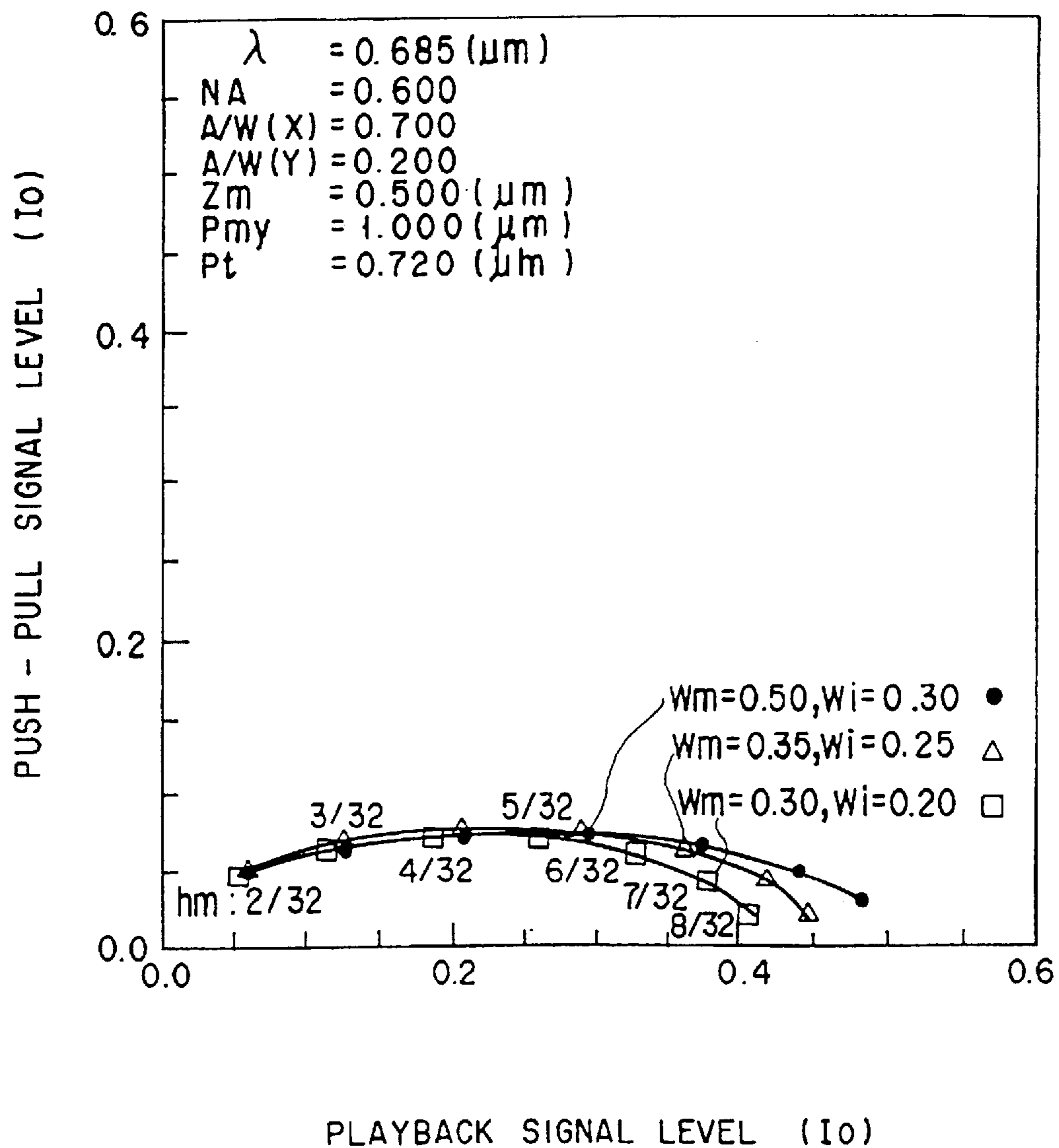
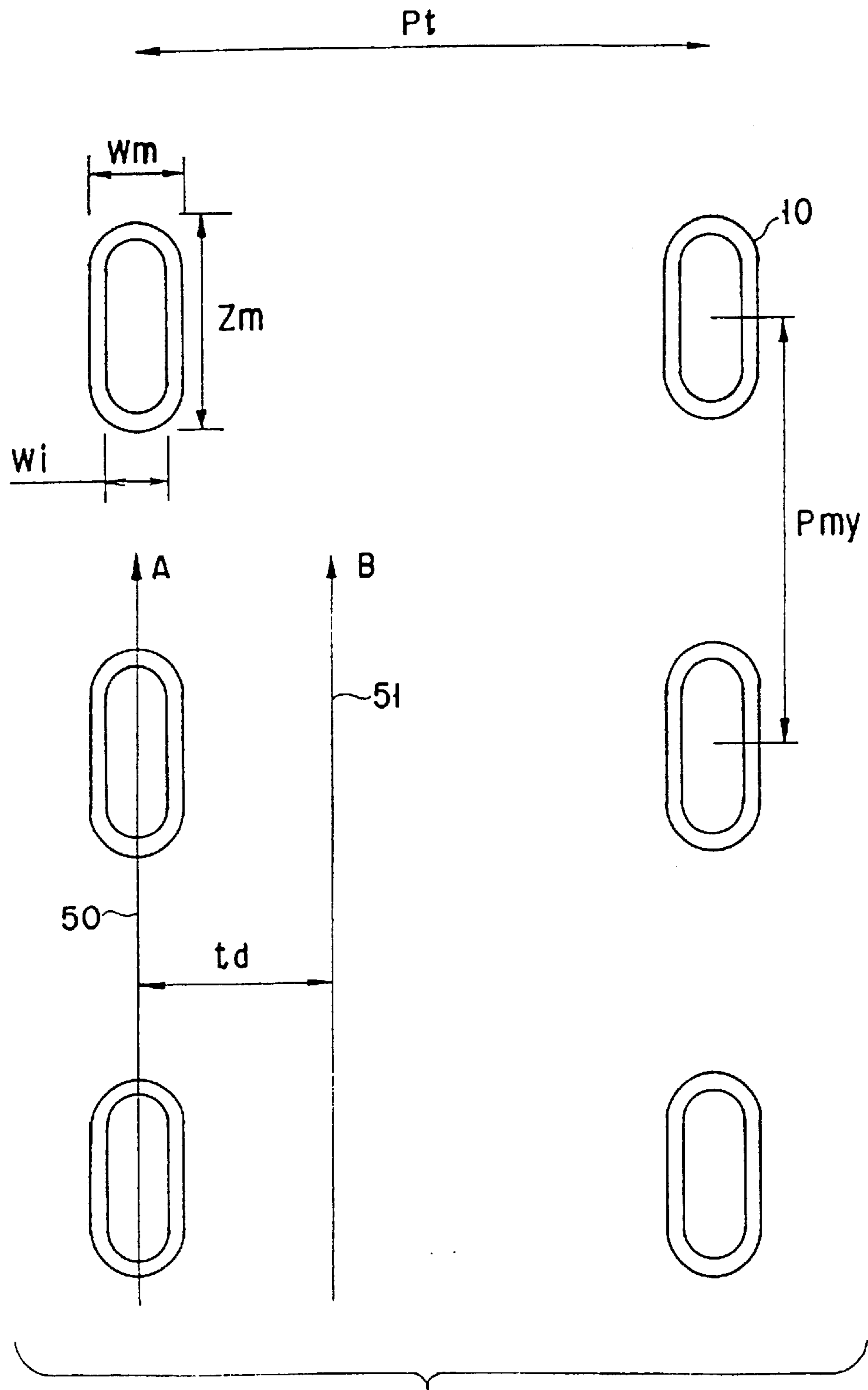


FIG. 3



F I G. 4



F I G. 5

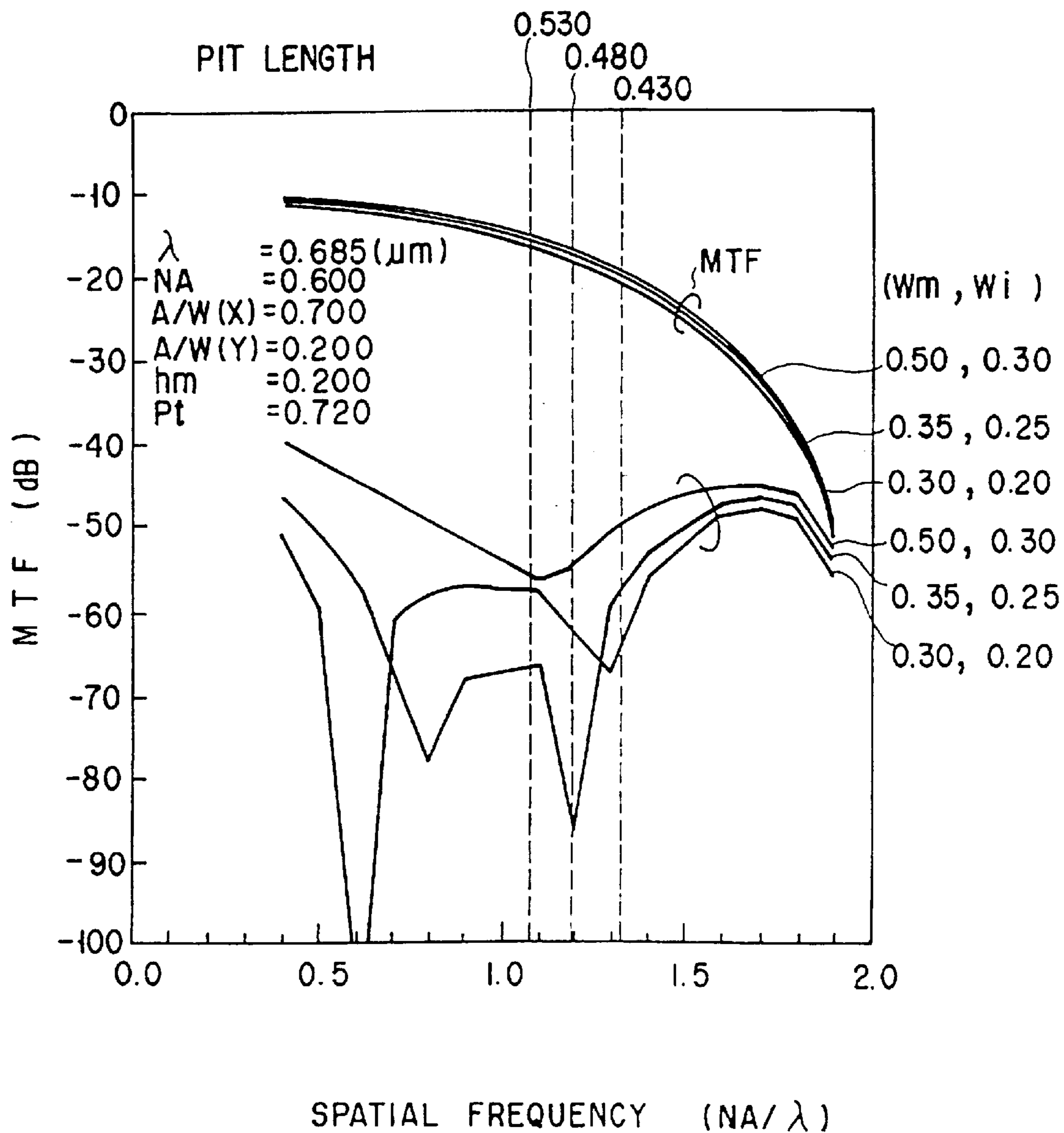


FIG. 6

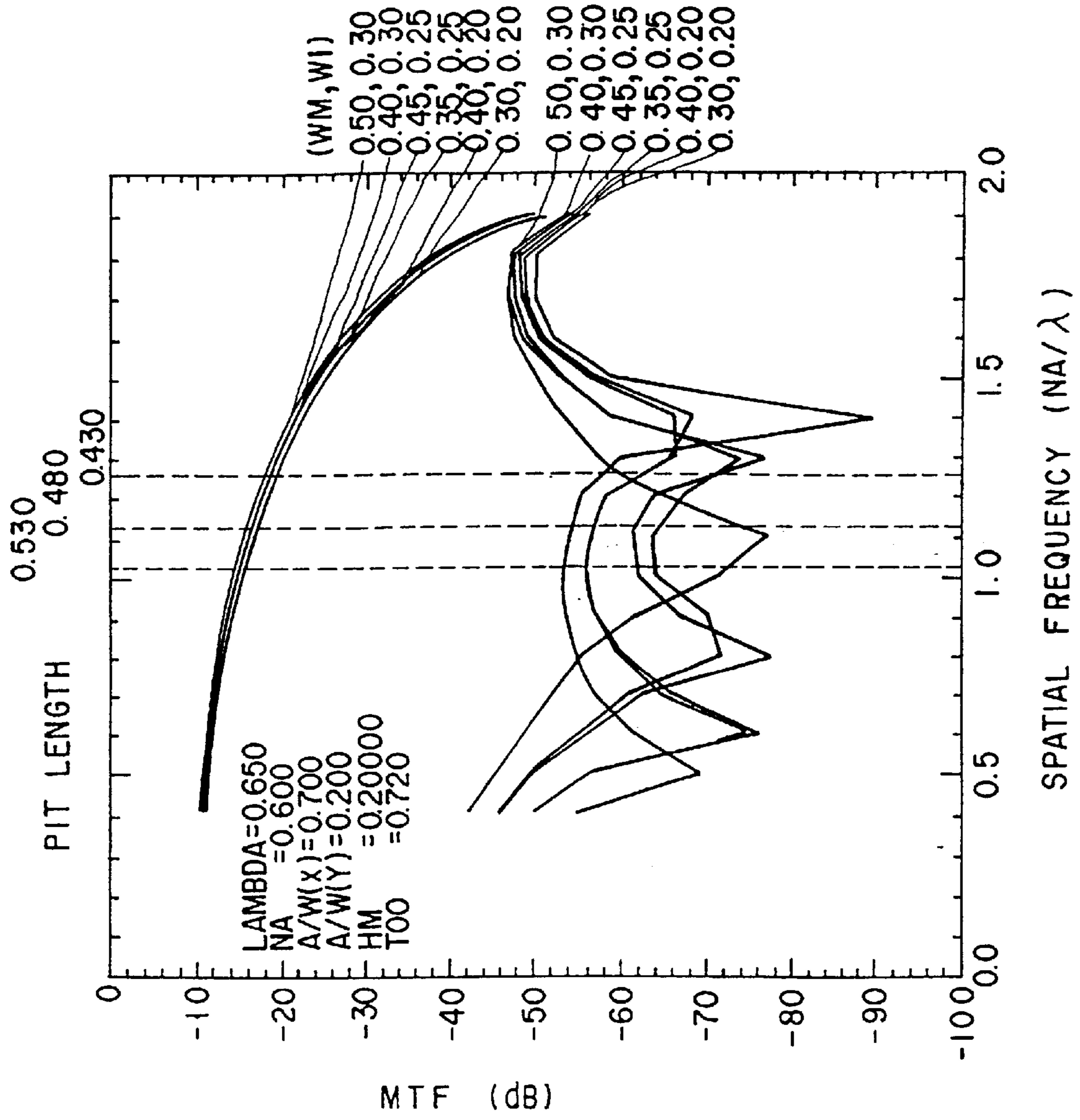
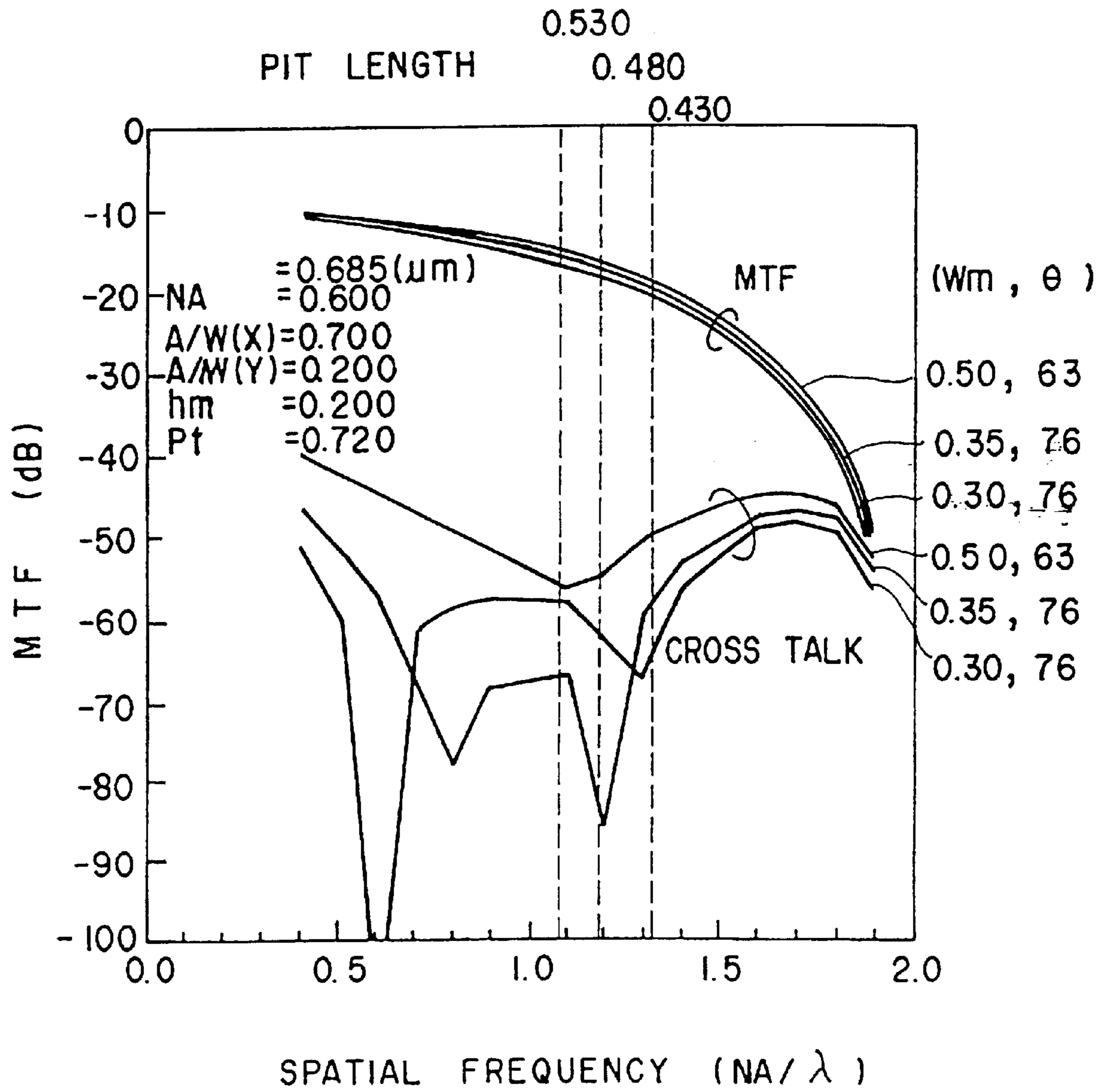
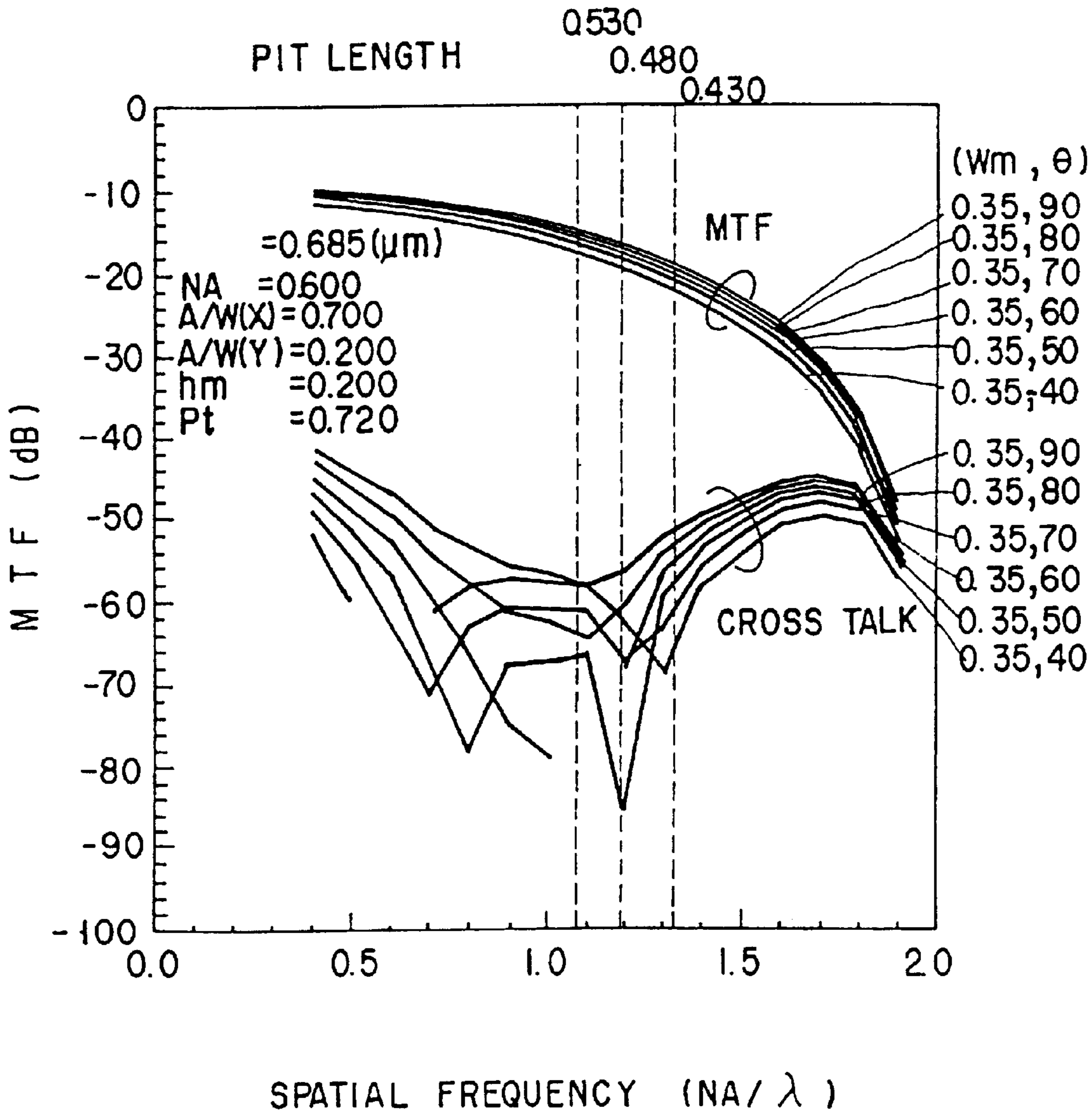


FIG. 7



F I G. 8



F I G. 9

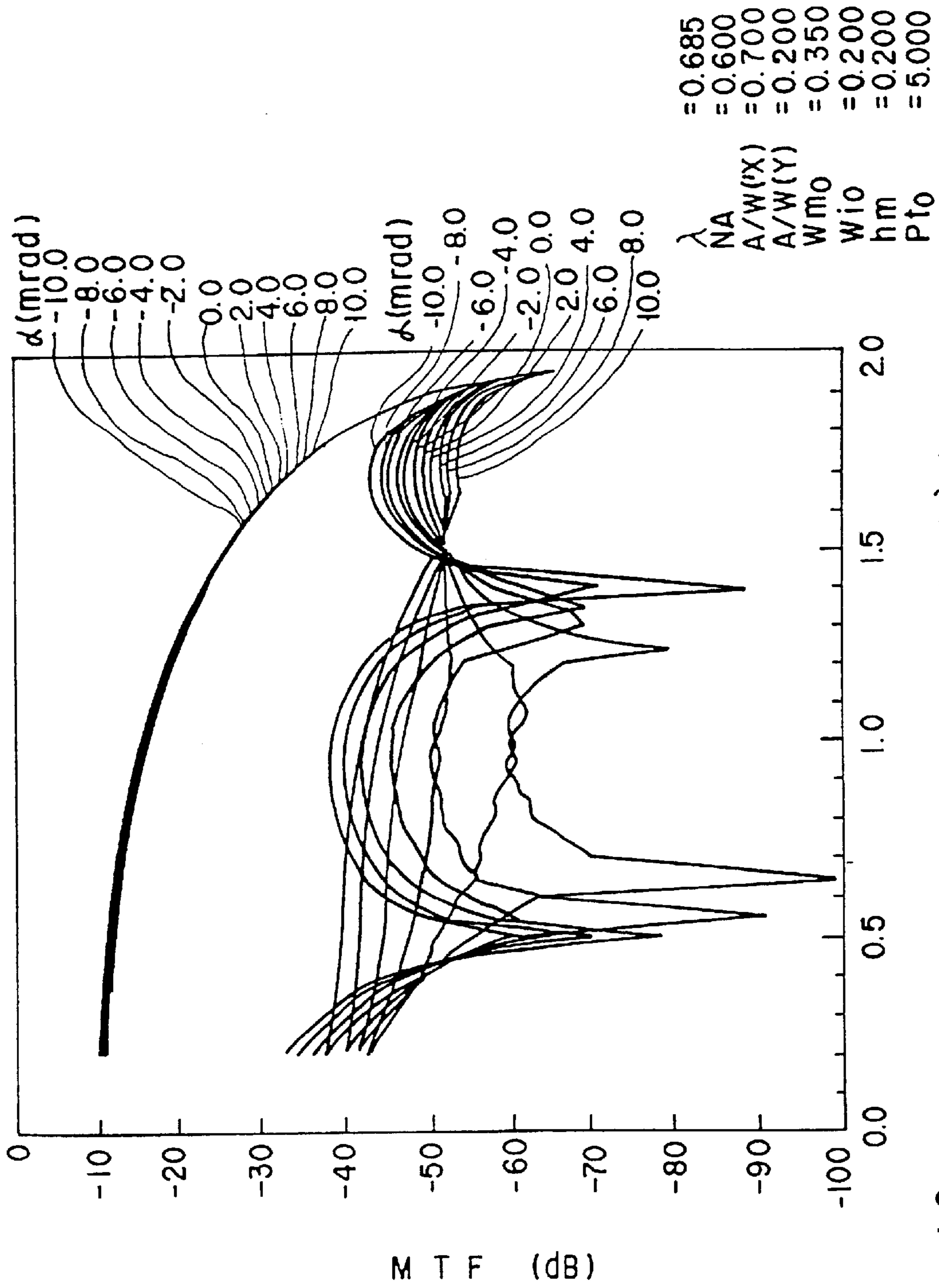
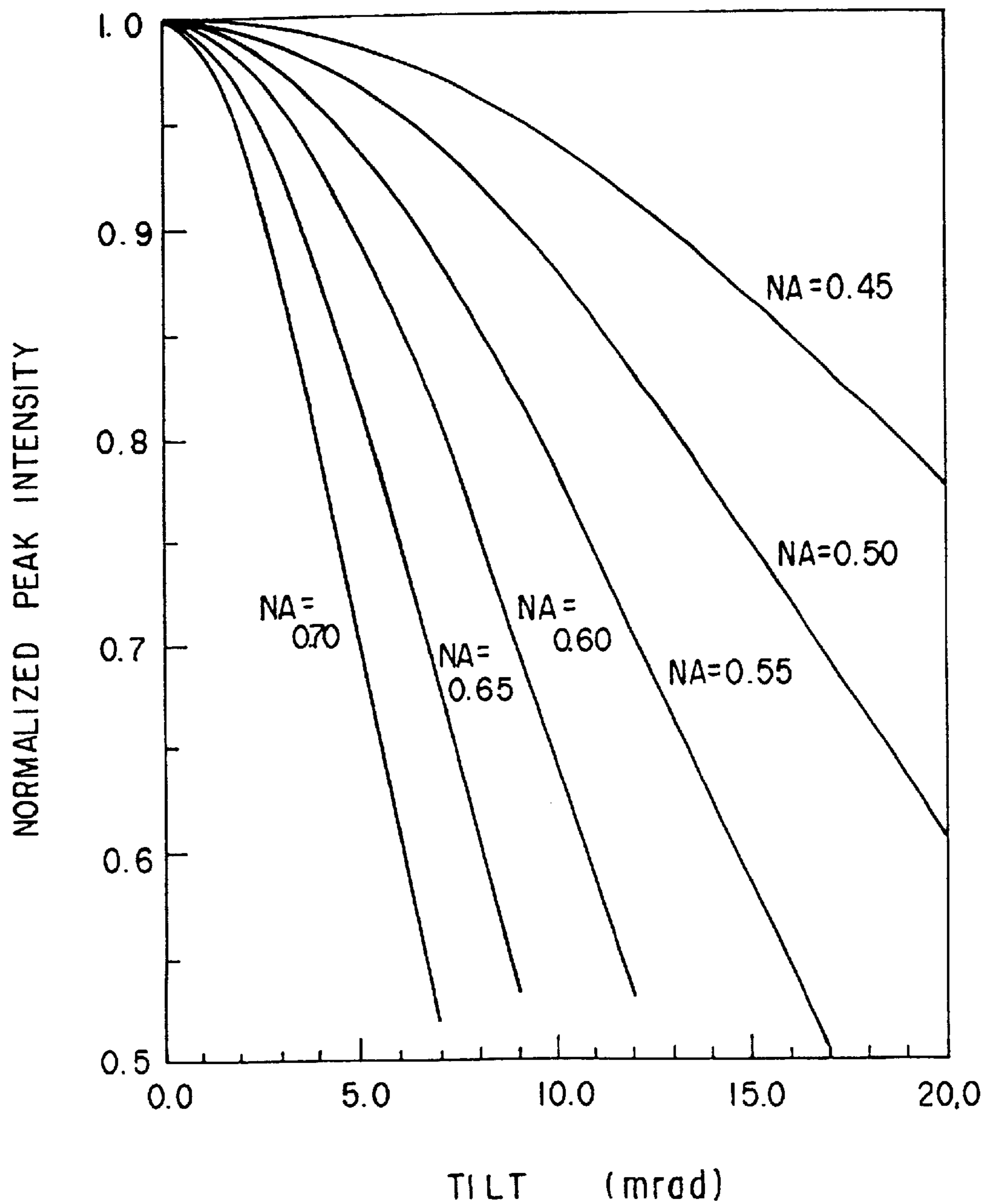
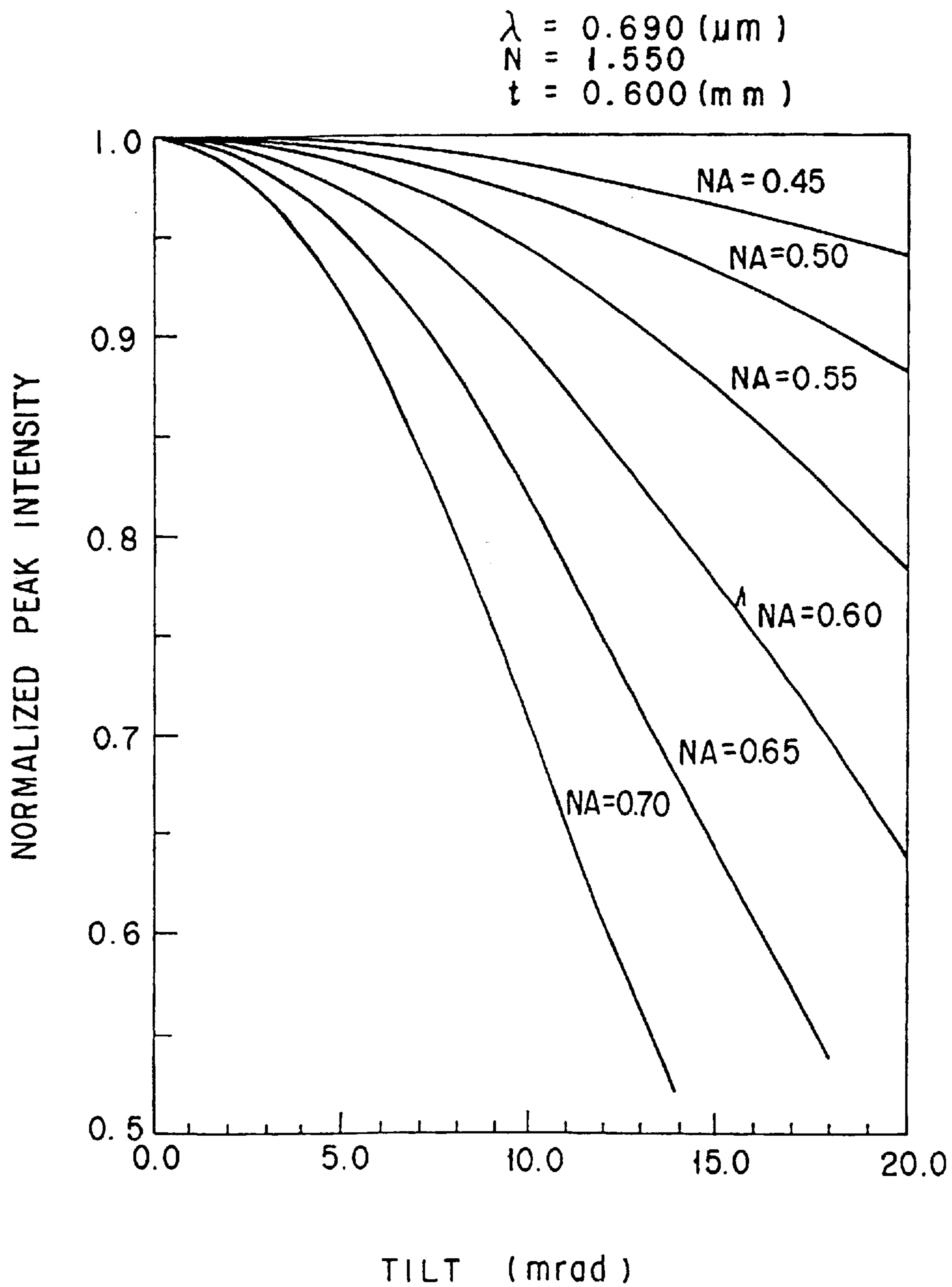


FIG. 10 SPATIAL FREQUENCY (NA/λ)

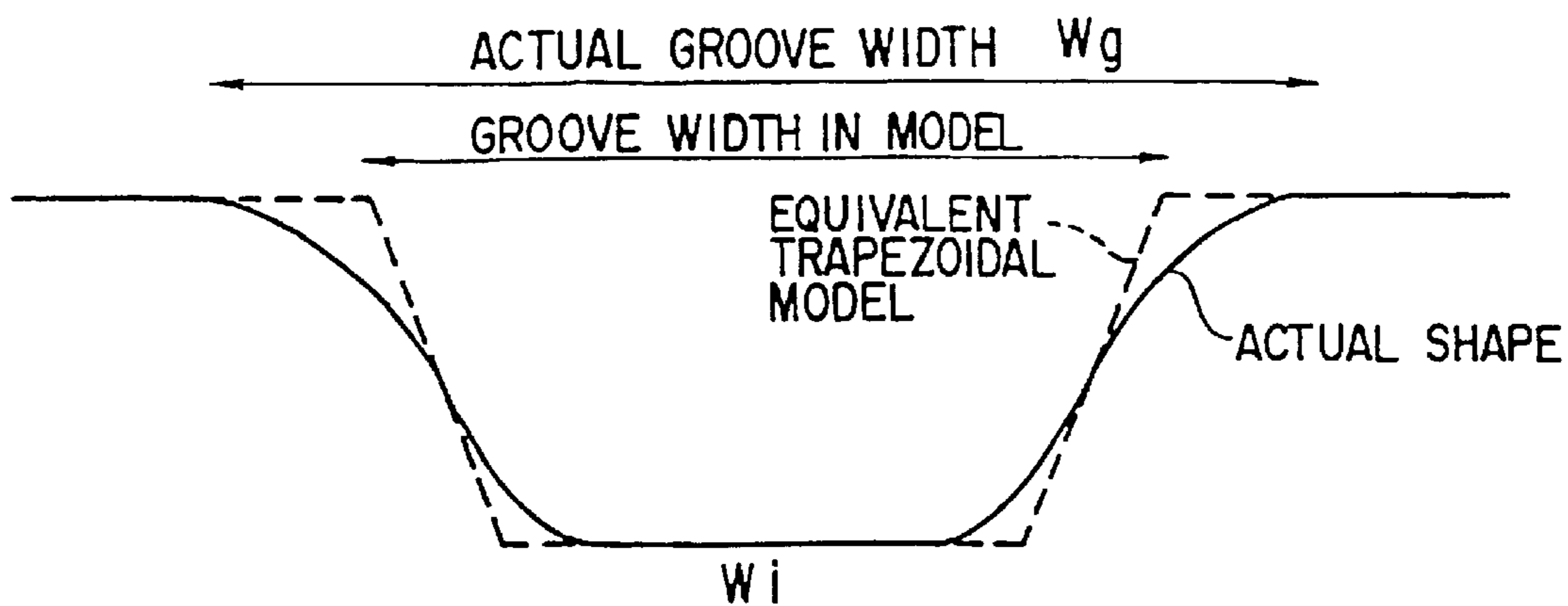
$\lambda = 0.690 \text{ } (\mu\text{m})$
 $N = 1.550$
 $t = 1.200 \text{ (mm)}$



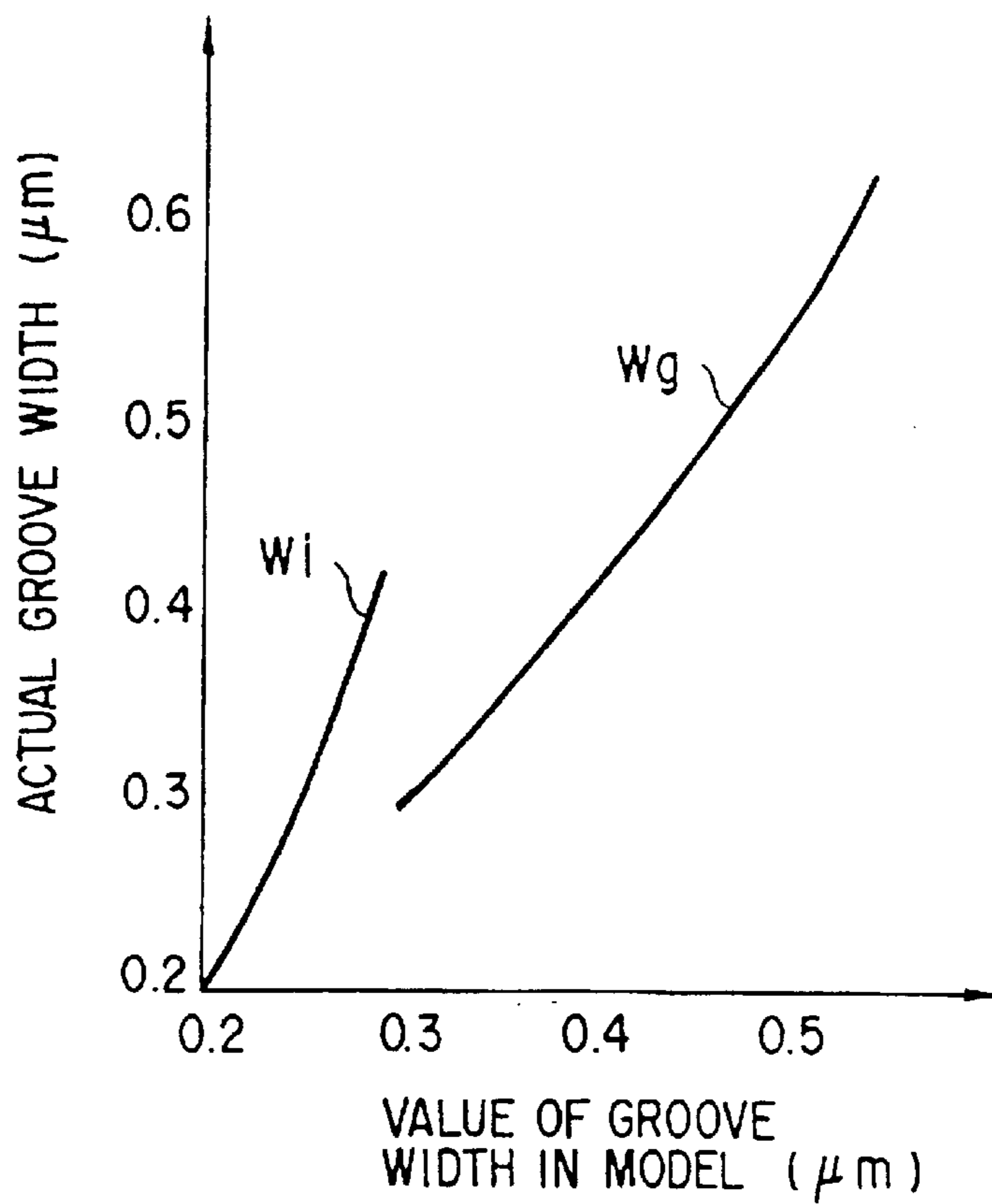
F I G. 11



F I G. 12



F I G. 13



F I G. 14

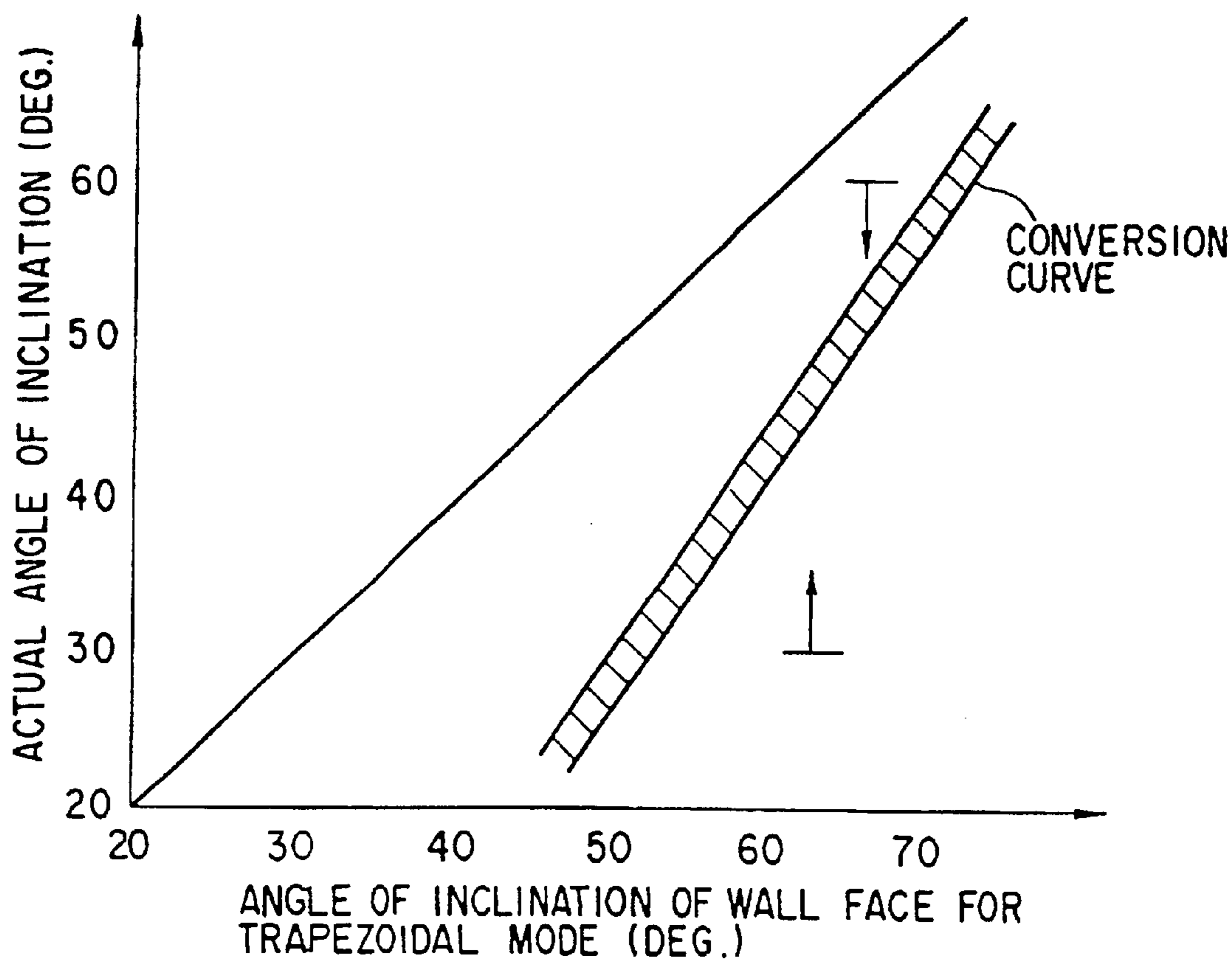


FIG. 15

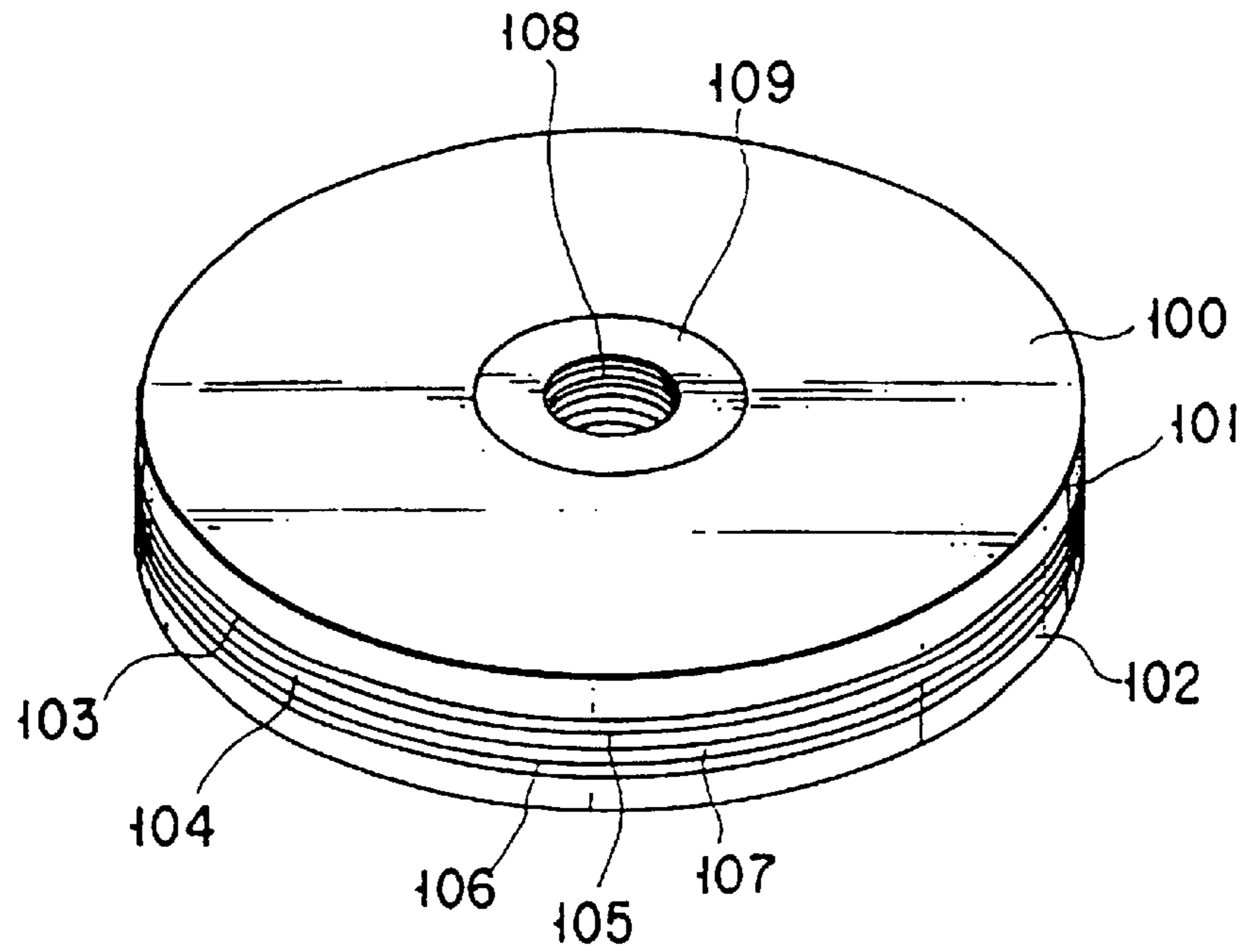


FIG. 16A

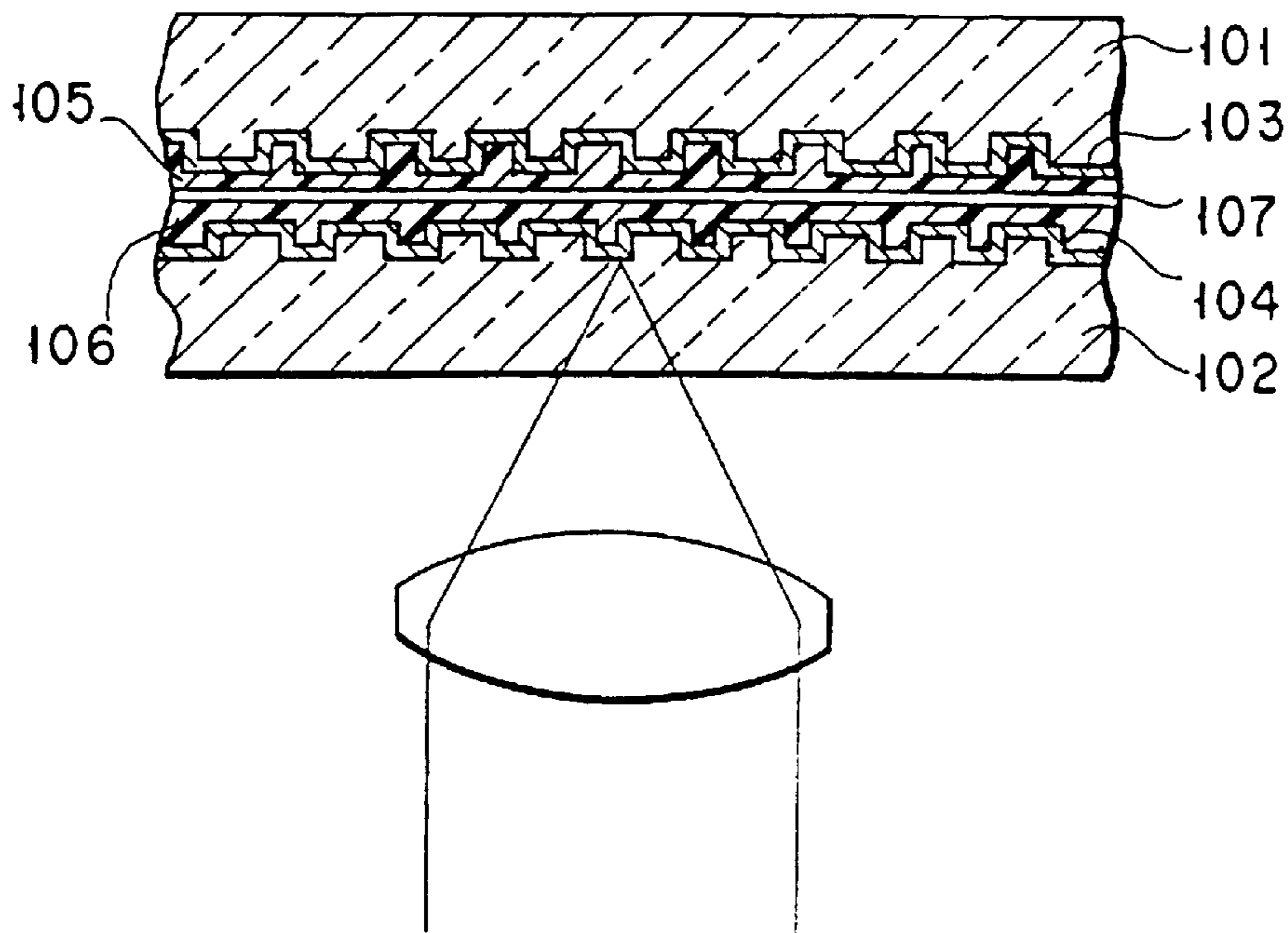


FIG. 16B

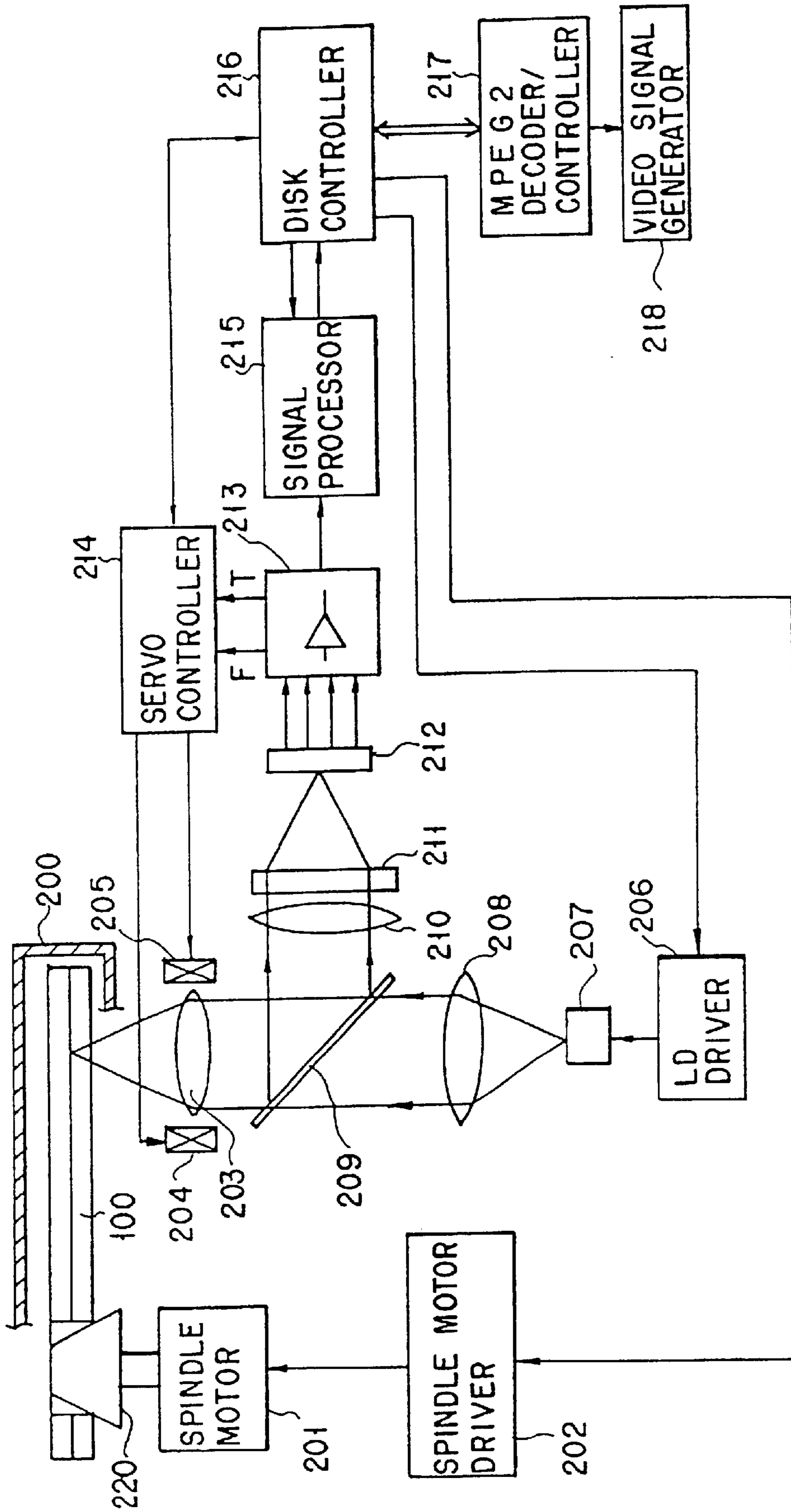


FIG. 17

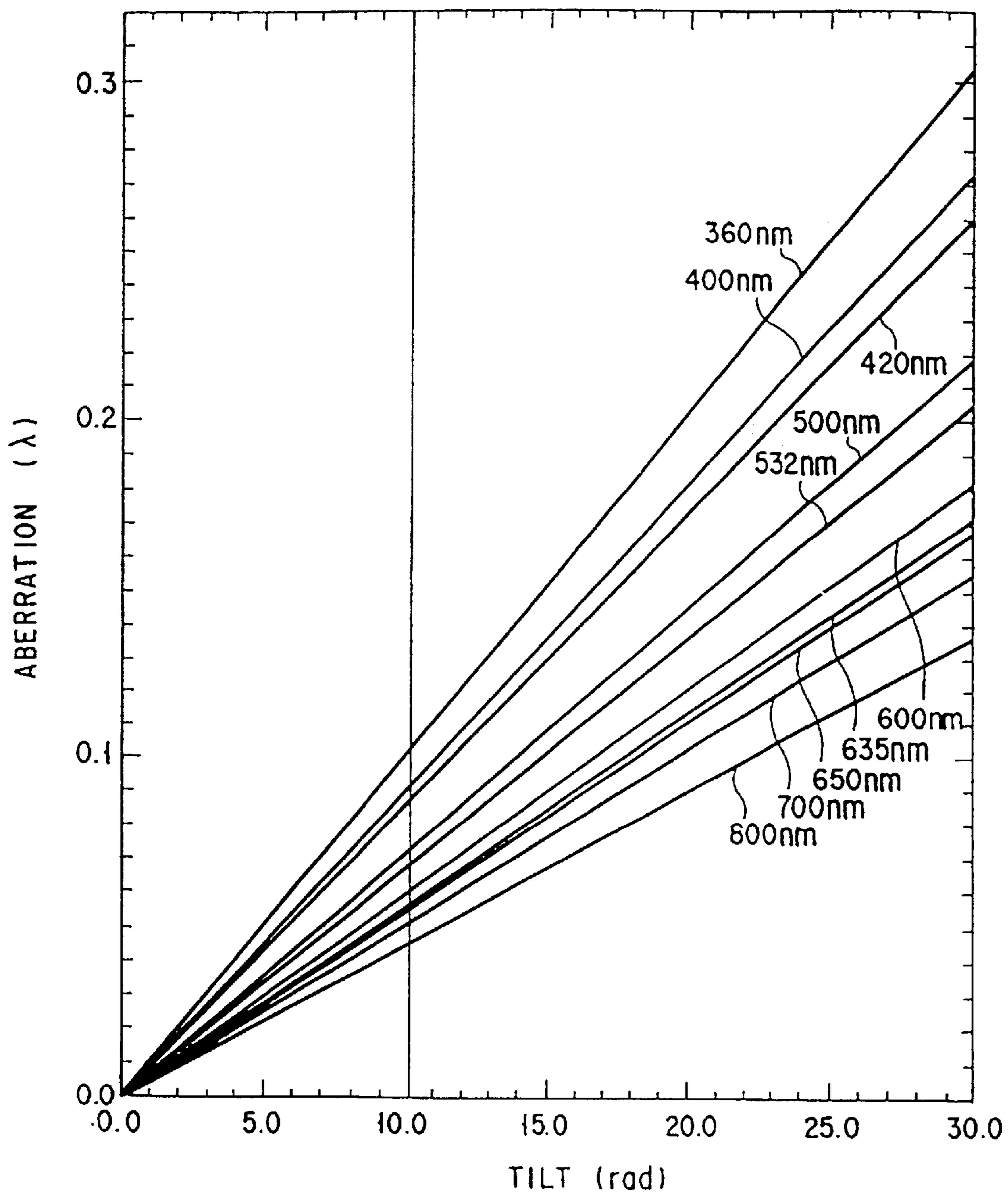


FIG. 18

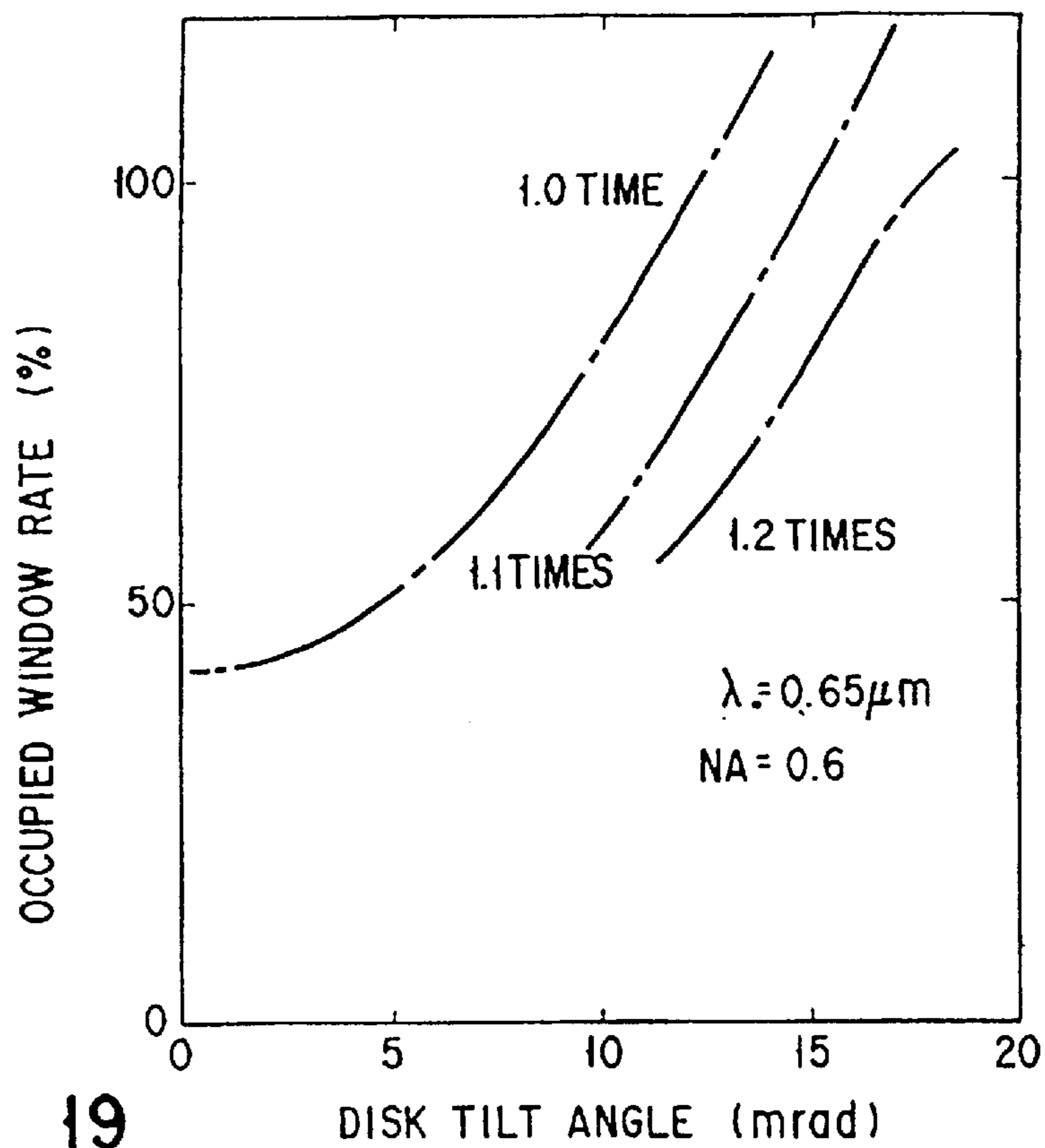


FIG. 19

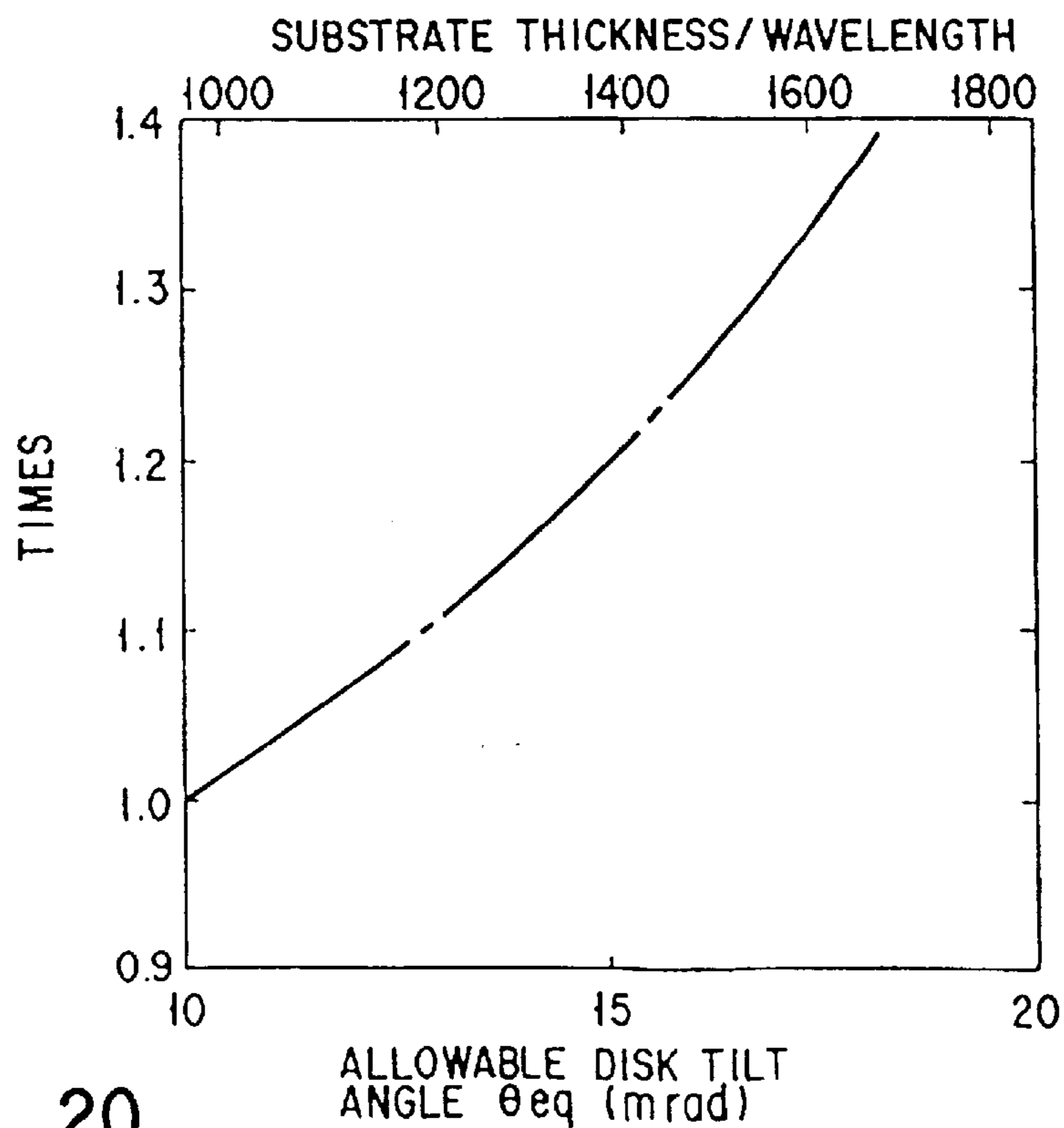


FIG. 20

OPTICAL DISK HAVING SPECIFIED TRACK PITCH, AND OPTICAL DISK APPARATUS

Matter enclosed in heavy brackets [] appears in the original patent but forms no part of this reissue specification; matter printed in italics indicates the additions made by reissue.

CROSS-REFERENCE TO THE RELATED APPLICATION

This is a continuation of application Ser. No. 08/778,313, filed Jan. 2, 1997 now U.S. Pat. No. 5,777,981 which is a continuation of application Ser. No. 08/541,598, filed Oct. 10, 1995, now U.S. Pat. No. 5,602,825; which is a continuation-in-part of application Ser. No. 08/475,494, filed Jun. 7, 1995, now U.S. Pat. No. 5,592,464; which is a continuation of application Ser. No. 08/304,849, filed Sep. 13, 1994, now U.S. Pat. No. 5,459,712.

BACKGROUND OF THE INVENTION

1. Field of the Invention

This invention relates to an optical disk on which information is recorded in pits with high density and an optical disk apparatus containing the optical disk and a playback optical system.

2. Description of the Related Art

With the recent advances in image digital signal processing techniques and moving-picture compression techniques, the latter of which have been developed by such a standardizing organization as the MPEG (Moving Picture Image Coding Experts Group), there is a growing expectation of the advent of an optical disk capable of reproducing moving-picture information such as a movie for two hours and being the same size as a CD (compact disk) in place of a VTR or laser disk. The recording capacity required to record two hours of moving-picture information in the form of analog video signals by a standard TV system such as NTSC as on the laser disk, amounts to 80 Gbyte including sound. Use of moving-picture compression techniques prescribed by a standardized method called MPEG-2, for example, requires as small a capacity as nearly 4 Gbyte even for a picture quality as good as a high picture-quality VTR such as S-VHS. The 4-Gbyte disk has been put into practical use in the form of a 300-mm diameter write-once read-many optical disk. As more and more optical disks will be used in homes in the future, it is needed to achieve an easy-to-use 120-mm diameter disk which has the same size and almost the same capacity as the CD.

The capacity of the CD format presently available as the music CD or the CD-ROM is 790 Mbyte at the maximum (when the linear velocity is 1.2 m/s). The capacity of this order can store only 24 minutes of compressed moving-picture information by MPEG-2. Thus, to store two hours of compressed moving-picture information by MPEG-2 with the CD size, the recording density must be made five times as high as that of the CD. In the current Cd format, the substrate thickness is 1.2 mm, the track pitch is 1.6 μm , the pit pitch is 1.66 μm when the linear velocity (relative velocity between light beam and disk=disk's circumferential velocity) is 1.2 m/s, the bit length is 0.59 μm , and the modulation method is EFM (eight to fourteen modulation). In the playback optical system, the playback semiconductor laser, or the laser diode (LD) has a wavelength of 780 nm, the object lens has an NA (numerical aperture) of 0.45, and the beam spot has a diameter of 1.4 μm . The beam spot diameter is selected mainly from the standpoint of avoiding the effect of crosstalk between adjacent tracks.

To increase the recording density of the optical disk requires techniques for forming small pits in the disk and those for making the beam spot size small on the optical disk in the playback optical system. Concerning techniques for forming pits, for example, an optical disk matrix recording technique using Kr ion laser light (ultraviolet rays) with a wavelength of 351 nm has been proposed (The 1993 Autumn National Convention of the Applied Physics Society, 28-SF-2). This technique makes it possible to form smaller pits than a conventional Ar ion laser. In the playback optical system, by making the wavelength of the playback laser beam shorter and increasing the NA, the beam spot diameter can be made smaller. Actually, however, with conventional techniques used in CD players, even if a short wavelength light source such as a red laser diode were used, the capacity would be increased by 1.5 times at most. With such an increase in the capacity, it cannot be expected to increase the capacity by five times that of an ordinary CD, which is what is required to record two hours of compressed moving-picture information.

As described above, with the conventional optical disk techniques, to avoid the problem of crosstalk between adjacent tracks, the track pitch and pit pitch are set larger than the beam spot diameter of the playback light beam. As a result, only by making the wavelength of playback light beam shorter and increasing the NA of the object lens, the recording density cannot be raised to the extent that the capacity required to store two hours of compressed moving-picture information by MPEG2 with the CD size, for example.

SUMMARY OF THE INVENTION

The object of the present invention is to provide an optical disk and an optical disk apparatus which can lessen crosstalk between adjacent tracks to the extent that there is no problem in practical use, even if the track pitch and pit pitch are smaller than the beam spot diameter of the playback light beam, and which achieves a higher density and a greater capacity than in the prior art.

According to the present invention, there is provided an optical disk comprising a substrate and a recording layer which is formed on the substrate and on which information is recorded at specific pitches in the form of pit trains, wherein the information is reproduced by projecting a light beam via an object lens, and when the wavelength of the light beam is λ μm and the numerical aperture of the objective lens is NA, the track pitch is set in the range of $(0.72 \text{ to } 0.8) \times \lambda / \text{NA} / 1.14$ μm , and each of the pits has a trapezoidal cross section whose upper width is in the range of $(0.3 \text{ to } 0.5) \times \lambda / \text{NA} / 1.14$ μm and whose lower width is in the range of $(0.2 \text{ to } 0.32) \times \lambda / \text{NA} / 1.14$ μm .

According to the present invention, there is provided an optical disk apparatus comprising an optical disk comprising a substrate and a recording layer which is formed on the substrate and on which information is recorded at specific pitches in the form of pit trains, an objective lens provided so as to face the optical disk, means for projecting a light beam onto the optical disk via the objective lens, and means for sensing the reflected light of the light beam projected on the optical disk by the projecting means to reproduce the information recorded on the optical disk, wherein when the wavelength of the light beam is λ μm and the numerical aperture of the objective lens is NA, the track pitch is set in the range of $(0.72 \text{ to } 0.8) \times \lambda / \text{NA} / 1.14$ μm , and each of the pits has a trapezoidal cross section whose upper width is in the range of $(0.3 \text{ to } 0.5) \times \lambda / \text{NA} / 1.14$ μm and whose lower width is in the range of $(0.2 \text{ to } 0.32) \times \lambda / \text{NA} / 1.14$ μm .

According to the present invention, there is provided an optical disk comprising a substrate and a recording layer which is formed on the substrate and on which information is recorded at specific pitches in the form of pit trains, wherein the information is reproduced by projecting a light beam via an objective lens, and when the wavelength of the light beam is $\lambda \mu\text{m}$ and the numerical aperture of the object lens in NA, the track pitch is set in the range of $(0.72 \text{ to } 0.8) \times \lambda / \text{NA} / 1.14 \mu\text{m}$, and each of the pits has a trapezoidal cross section whose upper width is in the range of $(0.3 \text{ to } 0.5) \times \lambda / \text{NA} / 1.14 \mu\text{m}$ and whose inner wall has an angle of 30° to 60° .

According to the present invention, there is provided an optical disk apparatus comprising an optical disk comprising a substrate and a recording layer which is formed on the substrate and on which information is recorded at specific pitches in the form of pit trains, an objective lens provided so as to face the optical disk, means for projecting a light beam onto the optical disk via the object lens, and means for sensing the reflected light of the light beam projected on the optical disk by the projecting means to reproduce the information recorded on the optical disk, wherein when the wavelength of the light beam is $\lambda \mu\text{m}$ and the numerical aperture of the objective lens is NA, the track pitch is set in the range of $(0.72 \text{ to } 0.8) \times \lambda / \text{NA} / 1.14 \mu\text{m}$, and each of the pits has a trapezoidal cross section whose upper width is in the range of $(0.3 \text{ to } 0.5) \times \lambda / \text{NA} / 1.14 \mu\text{m}$ and whose inner wall has an angle of 30° to 60° .

Furthermore, the invention provides an optical disk having sectional trapezoidal pits comprising a substrate having information recorded by a plurality of pit trains formed thereon at a specified track pitch, and a reflective layer formed on the substrate, wherein the information is reproduced by being irradiated with light beam via an objective lens, the track pitch is set within the range of $(0.72 \text{ to } 0.8) \alpha \times (\lambda / \text{NA}) / 1.14 \mu\text{m}$ when a wavelength of the light beam is $\lambda \mu\text{m}$ and a numerical aperture of the objective lens is NA, each of the pits is magnified by a multiplication ratio α used to secure allowable disk tilt angles in an upper width within the range of $(0.3 \text{ to } 0.5) \alpha \times (\lambda / \text{NA}) / 1.14 \mu\text{m}$, a bottom width within the range of $(0.2 \text{ to } 0.32) \alpha \times (\lambda / \text{NA}) / 1.14 \mu\text{m}$ and a depth within the range of $(1/4.2 \times \lambda / n)$ to $(1/5.2 \times \lambda / n)$ (n : refractive index of said substrate and λ : a wavelength $0.65 \mu\text{m}$) and α obtained by $2.623 \times 10^{-7} (d_s / \lambda)^2 - 1.706 \times 10^{-4} (d_s / \lambda) + 0.934$ (d_s : thickness of the substrate).

By setting various parameters of the pit shape at the above-described values, the amount of crosstalk between adjacent tracks is suppressed to less than -20 dB , which must be met to restore the original information from the reproduced signal, and the playback signal level and the level of the push-pull signal for tracking are maintained sufficiently.

BRIEF DESCRIPTION OF THE DRAWINGS

FIG. 1 is a diagrammatic view to help explain the shape of a pit in an optical disk according to an embodiment of the present invention;

FIG. 2 is a schematic diagram of the playback optical system in an optical disk apparatus;

FIG. 3 is a diagrammatic view of the pit arrangement on the optical disk for calculating the levels of the playback and push-pull signals sensed from the optical disk;

FIG. 4 shows the relationship between the playback signal level and the push-pull signal level obtained from calculations using the pit size in the track width direction and the pit depth as parameters;

FIG. 5 is a diagrammatic view of the pit arrangement on the optical disk used to evaluate the MTF of the playback optical system and crosstalk between adjacent tracks;

FIG. 6 shows the dependence of the playback optical system's MTF and the characteristics of crosstalk between adjacent tracks on the pit shape when the upper width W_m and lower width W_i of the pit are changed variously;

FIG. 7 shows the dependence of the playback optical system's MTF and the characteristics of crosstalk between adjacent tracks on the pit shape when the conditions are the same as in FIG. 6 except that λ is set at $0.650 \mu\text{m}$;

FIG. 8 shows the dependence of the playback optical system's MTF and the characteristics of crosstalk between adjacent tracks on the pit shape when the upper width W_m and the angle θ of the pit's inner wall are changed variously;

FIG. 9 shows the dependence of the playback optical system's MTF and the characteristics of crosstalk between adjacent tracks on the pit shape when the conditions are the same as in FIG. 8 except that the upper width W_m of pit is fixed at $0.35 \mu\text{m}$;

FIG. 10 shows the dependence of the playback optical system's MTF and the characteristics of crosstalk between adjacent tracks on the tilt;

FIG. 11 shows the dependence of the NA of the object lens on the tilt when an optical disk whose substrate thickness is 1.2 mm is used;

FIG. 12 shows the dependence of the NA of the object lens on the tilt when an optical disk whose substrate thickness is 0.6 mm is used;

FIG. 13 shows a cross sectional outline of an actual pit;

FIG. 14 shows a relationship between the groove width of an actual pit and the groove width of a model pit;

FIG. 15 shows a relationship between an angle of inclination of an actual pit and that of a model pit;

FIGS. 16A and 16B are a perspective view and a sectional view of an optical disk according to an embodiment of the present invention; and

FIG. 17 is a block diagram of an optical disk apparatus according to an embodiment of the present invention;

FIG. 18 is a graph showing a relationship between inclination of a disk and aberration;

FIG. 19 is a graph showing a relationship between a disk tilt angle and a window occupation ratio; and

FIG. 20 is a graph showing a relationship among an allowable disk tilt angle, a ratio of (a substrate thickness/a wavelength) and multiplication ratios.

DETAILED DESCRIPTION OF THE PREFERRED EMBODIMENTS

Before explanation of an embodiment, the basic concept of the present invention will be described.

To make the density of the optical disk higher, a spot diameter of the playback light beam must be made smaller. To do this, it is essential to make the wavelength of the playback laser diode shorter and increase the NA of the objective lens. Laser diodes (self-pulsation-type laser diodes) of a low-noise type whose wavelength is $0.685 \mu\text{m}$ and whose output is several milliwatts have already been put into practical use. Laser diodes whose wavelength is $0.650 \mu\text{m}$ are getting close to practical use.

The NA of the objective lens is limited by ease of making a lens and the tilt angle between the lens and the disk. The smaller the lens load (the thinner the optical disk substrate, the smaller the lens load) and the smaller the NA, the easier

it is to make the objective lens. For an objective lens whose NA is nearly 0.6, it is possible to make the beam spot diameter smaller even with a single nonspherical lens. However, with an objective lens used in the playback optical system for the optical disk, coma aberration occurs due to the tilt between the optical disk and the playback light beam caused by the tilt of the optical disk or the tilt of the optical axis of the objective lens.

Specifically, an attempt to make the NA of the object lens larger in order to make the spot size of the playback light beam smaller permits the aberration of the objective lens to increase sharply due to the tilt between the optical disk and the playback light beam. As the aberration of the objective lens becomes larger, the amount of crosstalk between adjacent tracks increases accordingly, and the playback resolving power decreases. The thinner the optical disk substrate, the smaller the effect of the tilt. In Japanese Journal of Applied Physics, Vol. 32 (1993), pp 5402–5405, changes in the shape of the spot of the playback light beam corresponding to the tilt when the substrate thickness is 1.2 mm, the same as the CD, and 0.6 mm, with a wavelength of $0.690\ \mu\text{m}$ and $\text{NA}=0.6$ are explained. According to this description, when the substrate thickness is 1.2 mm, a tilt of 5 mrad lowers the center strength of the beam spot as much as 10% and causes a rise in the side lobe and aberration, which contributes to crosstalk. In contrast, when the substrate thickness is 0.6 mm, the substrate can withstand the tilts ranging up to 10 mrad.

FIGS. 11 and 12 show the results of calculating the tilt characteristics when the substrate thickness (t) is 1.2 mm and 0.6 mm using the NA as a parameter. The abscissa represents the angle of tilt and the ordinate indicates the normalized peak intensity of the playback signal. The wavelength (λ) of the playback light beam is assumed to be $0.690\ \mu\text{m}$. With the substrate thickness being 0.6 mm and the $\text{NA}=0.6$, the tilt is 9.5 mrad and the peak intensity of the playback signal decreases by 10%. When the substrate thickness is 1.2 mm, the $\text{NA}=0.49$. Specifically, by changing the substrate thickness from 1.2 mm (the conventional CD's thickness) to 0.6 mm, the NA can be increased from 0.49 to 0.6, and consequently the surface recording density can be increased by 1.5 times. Because the spot size is proportional to λ/NA and the surface recording density is inversely proportional to the square of the spot size, this gives $(0.6/0.49)^2$, which means that the area recording density is 1.5 times as high as that of the conventional CD.

However, just making the substrate thickness thinner can cause the substrate to warp substantially due to temperature or humidity. The warp of the substrate contributes mainly to the tilt. To avoid this, it is most effective to make the optical disk double-sided as the laser disk, or to give the optical disk a symmetrical structure with respect to the front and back. In that case, it is possible to record information on both sides. With a single-structure optical disk like the conventional CD, since an aluminum reflective film or protective film is formed on one side of the substrate, the substrate has an asymmetrical moisture absorption with respect to the front and back, and thus tends to warp easily. A double-sided optical disk cancels the distortion of the substrate due to moisture absorption, thereby preventing a large tilt from occurring.

The evaluation results described above show that if a combination of a laser diode with a wavelength of $0.685\ \mu\text{m}$, a 0.6 mm thick substrate, and an objective lens with an $\text{NA}=0.6$ are used, the wavelength will be shortened from $0.780\ \mu\text{m}$ to $0.685\ \mu\text{m}$ and the NA will grow larger from 0.45 to 0.6, so that the recording density can be made about 2.3

times as large as that of the conventional CD format even by conventional CD design techniques. Specifically, because the spot size is proportional to λ/NA , this gives $(0.685/0.6)/(0.780/0.45)$, meaning that the recording density is about 2.3 times as high as that of the conventional CD. However, to achieve the capacity required to record two hours of compressed moving-picture information by MPEG2 with the CD size, it is necessary to make the recording density (capacity) about five times as large as that of the conventional CD format.

According to the present invention, there is provided an optical disk which enables the track pitch to be made much smaller in order to achieve a much higher density and greater capacity, while assuring the low crosstalk characteristics and the sufficient signals levels of the playback signal and the push-pull signal by optimizing the pit shape of the same beam spot size as described above. Hereinafter, the pit shape in the present invention will be described in detail.

FIG. 1 is an explanatory diagram of the shape of a pit in an optical disk according to the present invention. As shown in the figure, the shape of a pit 10 is approximated by a shape with a trapezoidal cross section. The inner wall 11 of the pit 10 is inclined downward and its bottom portion 12 is almost flat. Numeral 13 indicates the cross section of the pit 10 along the radius of the optical disk (the track width direction); 14 the cross section along the circumference of the optical disk (the track direction); W_m the size of the top of pit 10 across the track width (hereinafter, the upper width); W_i the size of the bottom of the pit 10 across the track width (hereinafter, the lower width); h_m the depth of the pit 10, Z_m the length of the pit 10 along the track; and θ represents the angle of the inner wall of the pit 10 (the angle that the inner wall forms with respect to the surface of the optical disk).

FIG. 2 shows a model of the playback optical system of the optical disk apparatus used in the analysis. The figure shows the incident light distribution 20 ($V_1(x,y)$) of playback light beam, incident light 21, a polarization beam splitter (or half mirror) 22 for separating the incident light 21 from the reflected light 26, an objective lens 23 with a numerical aperture of NA, the distribution 24 ($V_2(x,y)$) of focused light (beam spot) by the object lens on the recording surface (pit surface) of the optical disk, an optical disk 25 with a complex reflectivity of $r_2(x,y)$, the reflected light 26, and the distribution 27 ($V_3(x,y)$) of the reflected light 26 on a photosensor).

FIG. 3 diagrammatically shows the pit arrangement on the optical disk used to calculate the levels of the playback signal and the push-pull signal, where the track pitch (the pitch of a pit across the track width) is P_t and the pit pitch (the pit pitch along the track) is P_{m_y} . The beam spots 30 and 31 of the playback light beam represent spot A at the center of a pit and spot B between pits, respectively. The amplitude of the playback signal is represented as $|S(A)-S(B)|$, where $S(A)$ and $S(B)$ indicate the output signals of the photosensor when the beam spot is positioned at (A) and (B), respectively. Lines 32 and 33 show the positions in which the push-pull signal (the difference signal between the output signals of the split photosensors arranged along the track in at least two sensing areas) is obtained in an area (C) with pits and an area (D) without pits. Those push-pull signals each have the average p—p values in area C and area D.

FIG. 4 shows the results of calculating the levels of the playback signal and the push-pull signal using the size of a pit across the track width and the pit depth as parameters with a playback laser beam wavelength of $0.685\ \mu\text{m}$,

NA=0.6, $Z_m=0.5 \mu\text{m}$, $P_{my}=1 \mu\text{m}$, and $P_t=0.72 \mu\text{m}$. The beam filling factors $A/W(X)$ and $A/W(Y)$ of the playback light beam across the track width (X) and along the track (Y) are shown in the figure. As seen from the figure, the levels of the playback signal and the push-pull signal do not depend largely on the shape of a pit except the case where $W_m=0.3$ and $W_i=0.2$. There is no such pit depth as brings the levels of the playback signal and the push-pull signal to the maximum level simultaneously. To minimize a decrease in the push-pull signal level and obtain the maximum playback signal level, it is desirable from FIG. 4 that the pit depth should be approximately $\lambda/5$, preferably in the range of $\lambda/4.2$ to $\lambda/5.2$. More specifically, the pit has a depth in a range of $1/4.2 \times \lambda/n$ to $1/5.2 \times \lambda/n$, where n is a refractive index of the substrate.

FIG. 5 diagrammatically shows an MTF of the playback optical system and the pit arrangement on the optical disk used to evaluate crosstalk between adjacent tracks. In the figure, the spots 50 and 51 of the playback light beam represent a spot at the center (A) of a pit and a spot passing through position (B) a distance of t_d away from the center of a pit. MTF is expressed by the power of the basic frequency component of the output signal from the photosensor obtained when the beam spot passes through the center of a pit. Crosstalk is expressed by the power of the basic frequency component of the output signal from the photosensor obtained when the beam spot passes through position B.

FIG. 6 shows the MTF and the crosstalk characteristics when the track pitch P_t is fixed at $0.72 \mu\text{m}$, the depth h_m of the pit 10 is fixed at $0.2 \mu\text{m}$, and the upper width W_m and lower width W_i of the pit 10 are changed variously, with the spatial frequency on the abscissa and MTF and crosstalk on the ordinate. The values of beam packing factors $A/W(X)$ and $A/W(Y)$ of the playback light beam across the track width (X) and along the track (Y) are shown in the figure. In the figure, the MTF produces a difference of 1 to 2 dB depending on the pit shape, which is not too large. In contrast, it can be seen that crosstalk changes greatly with the pit shape.

FIG. 7 shows the MTF and the crosstalk characteristics under the same conditions as in FIG. 6 except that λ is set at $0.650 \mu\text{m}$.

FIG. 8 shows the MTF and the crosstalk characteristics when the track pitch P_t is fixed at $0.72 \mu\text{m}$, the depth h_m of the pit 10 is fixed at $0.2 \mu\text{m}$, and the upper width W_m and the angle θ of the inner wall 11 of the pit 10 are varied, with the spatial frequency on the abscissa and MTF and crosstalk on the ordinate. The values of beam packing factors $A/W(X)$ and $A/W(Y)$ of the playback light beam across the track width (X) and along the track (Y) are shown in the figure.

FIG. 9 shows the MTF and the crosstalk characteristics under the same conditions as in FIG. 8 except that the upper width W_m of the pit 10 is fixed at $0.35 \mu\text{m}$ and only the angle θ of the inner wall 11 of the pit 10 is changed variously.

It is assumed that RLL (Run-Length Limited) scheme are used as a modulation scheme of information recorded on the optical disk. It is necessary in this scheme to pay attention to crosstalk due to low frequency components when the longest pit is sensed. Although the crosstalk characteristics shown in FIGS. 6 to 9 are for no tilt, tilts actually have to be taken into account. FIG. 10 shows the MTF and the crosstalk characteristics when tilts are taken into account. As can be seen from the figure, when tilts are taken into account, the MTF almost remains unchanged, but the amount of crosstalk increases, and the conditions for determining the parameters of a pit become more strict.

In the system design of an optical disk apparatus, if a tilt due to the warp of the optical disk itself and a tilt due to the apparatus are considered to be 5 mrad and 3 mrad, respectively, a tilt of about 8 mrad in total must be tolerated. According to the simulation in FIG. 10, the amount of crosstalk can be suppressed to values less than -20 dB required in practical use in the tilt range of ± 10 mrad for the same spatial frequency. This shows that a wavelength of $0.685 \mu\text{m}$ and a track pitch of $0.72 \mu\text{m}$ are reasonable.

The evaluation of FIGS. 6 to 9 shows that the amount of crosstalk (the difference in MTF value between the MTF characteristic and the crosstalk characteristic) is 20 dB or less until $W_m=0.45 \mu\text{m}$ in the case where the track pitch shown in FIGS. 6 and 8 is $0.72 \mu\text{m}$. In contrast, when $W_m=0.5 \mu\text{m}$, the amount of crosstalk at low frequencies increases rapidly, exceeding -20 dB. The MTF characteristics are relatively good until $W_m=0.3 \mu\text{m}$, but deteriorates sharply when W_m is less than $0.3 \mu\text{m}$. Therefore, the range of $W_m=0.3 \mu\text{m}$ to $0.45 \mu\text{m}$ is reasonable.

The results mentioned above show that when the pit shape across the track width is standardized with a wavelength of $0.685 \mu\text{m}$ and NA=0.6 (i.e., $\lambda/NA=1.14$), it is desirable that the upper width of a pit should be $(0.3 \text{ to } 0.45) \times \lambda/NA/1.14 \mu\text{m}$, and the lower width of the pit should be $(0.2 \text{ to } 0.25) \times \lambda/NA/1.14 \mu\text{m}$, or that the upper width W_m should be $(0.3 \text{ to } 0.45) \times \lambda/NA/1.14 \mu\text{m}$ and the angle θ of the inner wall should be in the range of 50° to 70° . Specifically, when the track pitch P_t is selected in the range of $(0.72 \text{ to } 0.8) \times \lambda/NA/1.14 \mu\text{m}$ and the track pitch is made smaller than the beam spot diameter of the playback light beam, selecting the upper width W_m and lower width W_i of the pit or the upper width W_m of the pit and the angle θ of the inner wall in the above ranges enables the amount of crosstalk to be suppressed to values less than -20 dB required in practical use in the tilt range of ± 10 mrad expected in an actual optical disk apparatus, thereby achieving a remarkable improvement in the recording density. As a result, by combining these track pitch and pit shape, the laser diode with a wavelength of $0.685 \mu\text{m}$, for example, as mentioned earlier, the 0.6 mm thick substrate, the object lens with NA=0.6, the subject of recording two hours of compressed moving-picture information by MPEG with the CD size can be achieved easily.

The parameters used in the explanation of the invention are obtained through calculations on the assumption that the pit is in the form of an ideal trapezoid. Actually, however, the pit does not take the form of an accurate trapezoid, but curves at its corners as shown in FIG. 13. Therefore, the parameters for the ideally trapezoidal pit, or the model pit, differ from those for the actual pit. FIG. 14 shows the difference between the bottom groove width W_i and the top groove width W_g for the model pit and the actual pit. As seen from FIG. 14, the value of W_i for the model pit ranges from 0.2 to $0.32 \mu\text{m}$; the value of W_g for the model pit ranges from 0.3 to $0.45 \mu\text{m}$, whereas the value of w_g for the actual pit varies from 0.3 to $0.5 \mu\text{m}$. Furthermore, the angle of inclination θ of the pit is as follows. As shown in FIG. 15, an angle of inclination of the model pit is in the range of 50° to 70° , whereas that of the actual pit is in the range of 30° to 60° .

Hereinafter, the structure of an optical disk according to the present invention will be described. FIGS. 16A and 16B are a perspective view and sectional view of a double-sided optical disk 100, respectively. One surface of each of transparent substrates 101 and 102 is embossed with pits made of light-transmitting resin such as polycarbonate or acrylic resin and is coated with a reflecting film 103 and a reflecting

film **104** (e.g., of aluminum), respectively. On these films, protective films **105** and **106** are formed. The thickness of the transparent substrates **101** and **102** is 0.6 mm. The transparent substrates **101** and **102**, whose protective films **105** and **106** are allowed to face each other, are laminated together with an adhesion layer **107** with a thickness of several tens of μm made of a thermoset adhesive. In the center of the optical disk **100**, a hole **108** is made for clamping. Around the hole, a clamping zone **109** is provided. A playback light beam **110** is emitted from a laser diode (not shown), passes through the playback optical system, enters an optical disk **100** via an object lens **111** from the transparent substrates **101** and **102**, and is focused as a small beam spot on the reflecting films **103** and **104**.

FIG. 17 shows an example of an optical disk apparatus which reproduces compressed moving-picture information by using the above-mentioned optical disk **100**. Because the optical disk **100** uses the substrates **101** and **102** which are as thin as 0.6 mm and consequently are less immune to dust or dirt on their surfaces than a CD using a 1.2 mm thick substrate, the disk **100** is housed in a cartridge **200**. By housing the optical disk **100** in the cartridge **200**, attention need not be paid to the way of holding the disk, dust, fingerprints, etc. as with CDs, which is helpful in handling and carrying. When the disk is exposed as is a CD, the ability to correct errors must be determined, taking into account an unexpected accident such as a flaw. Use of the cartridge **200**, however, makes such a consideration unnecessary. Therefore, it is possible to use the LDC read solomon error correction technique in sectors as used in a recordable optical disk. As a result of this, for example, when an optical disk is formatted in units of 2 kbyte to 4 kbyte, the recording efficiency can be increased by more than 10% as compared with the CD.

When the 4/9 modulation method is used as a modulation method for the information recorded on the optical disk **100**, the track pitch on the optical disk **100** is $0.72 \mu\text{m}$, and the pit pitch is $0.96 \mu\text{m}$, it is expected that the pit density ratio is 3.84 times as high as the conventional CD format, the modulation efficiency is increased by 20%, and the formal efficiency is increased by 10%. Consequently, the capacity can be expected to increase by a total of 5.1 times. As described earlier, when moving-picture information such as a movie is reproduced with a picture quality as high as S-VHS, this requires a rate of 4.5 Mbps including sound, so that the capacity required for two hours of reproduction is 4 Gbyte. Because of the aforementioned capacity increase by 5.1 times, the 4-Gbyte capacity can be realized on one side of the disk. Furthermore, as shown in FIGS. 16A and 16B, a single double-sided optical disk alone enables four hours of recording at a maximum.

In FIG. 17, the optical disk **100** is chucked by a tapered cone **220** and rotated by a spindle motor **201**. The spindle motor **201** is driven by a spindle motor driver circuit **202**. The playback optical system is constructed as follows.

An objective lens **203** is placed so as to face the optical disk **100**. The objective lens **203** can be moved along the optical axis by a focus coil **204** and across the track width by a tracking coil **205**. The wavelength of a laser diode **207** driven by a laser diode (LD) driver **206** is $0.685 \mu\text{m}$. The light beam emitted from the laser diode **207** is made into parallel luminous flux by a collimate lens **208** and then enters a polarization beam splitter **209**. The light beam emitted from the laser diode **207** has generally an elliptic far field pattern. Therefore, when a round pattern is needed, a beam shaping prism has only to be placed after the collimate lens **208**. The light beam passed through the polarization

beam splitter **209** is focused by the objective lens **203** onto the optical disk **100**.

The light reflected by the reflecting film on the optical disk **100** passes back through the objective lens **203** in the opposite direction to the incident light beam, is reflected by the polarization beam splitter **209**, and enters a photosensor **212** via the sensing optical system composed of a condenser lens **210** and a cylindrical lens **211**. The photosensor **212**, for example is a 4-quadrant photosensor. The four sense outputs of the photosensor are input to an amplifier array **213** containing an amplifier and an adder-subtractor, which produces a focus error signal, tracking error signal, and playback signal. The tracking error signal is obtained by, for example, a push-pull technique in the form of a push-pull signal as described earlier. The focus error signal and tracking error signal are supplied to the focus coil **204** and the tracking coil **205** via a servo controller **214**. As a result of this, the objective lens **203** is moved along the optical axis and across the track width, thereby focusing the light beam onto the surface of the reflecting film serving as the recording surface of the optical disk **100**, and tracking the target track.

The playback signal from the amplifier array **213** is input to a signal processing circuit **215**, which binarizes the input and then senses data pulses. The sensed data pulses are inputted to a disk controller **216**, which decodes the format, corrects errors, and then supplies the resulting signal as a bit stream of moving-picture information to an MPEG2 decoder/controller **217**. Because the data obtained by compressing (encoding) the moving-picture information according to the MPEG2 standards is recorded on the optical disk **100**, the MPEG2 decoder/controller **217** expands (decodes) the bit stream input to reproduce the original moving-picture information. The reproduced moving-picture information is supplied to a video signal generator circuit **218**, which adds a blanking signal etc. to produce a video signal in a specific television format. The techniques related to MPEG2 have been disclosed in U.S. Pat. No. 5,317,397 and U.S. patent application Ser. No. 08/197,862.

As explained above, the optical disk according to the present invention has such an optimal pit shape (the upper and lower widths of a pit or the upper width of a pit and the angle of the pit's inner wall) as makes it possible to set the track pitch to a smaller value than the spot diameter of the playback light beam and decrease crosstalk between adjacent tracks to a level required for practical use. As a result, with the optical disk, the track density can be made by about 1.5 times as high as the conventional CD and the sufficient levels of the playback signal and the push-pull signal used for tracking can be assured.

Accordingly, with the present invention, as shown in the embodiments described above, the capacity about five times that of the conventional CD can be realized even using the normal CD size, for example. In addition, 4 Mbps of compressed moving-picture information with a picture quality as good as that of a high quality VTR, including sound, can be stored for two hours, which is very useful in practical use.

In the above-described embodiment, the values of a track pitch and upper and bottom widths in a pit are set as ones obtained by multiplying λ/NA (λ : wavelength (μm) and NA: numerical aperture of objective lens) by proportional coefficients within ranges respectively set in correspondence with λ/NA and the numerical aperture. This makes it possible to set a parameter suitable for recording information at high density without depending on a wavelength of light to be used or a numerical aperture of an objective lens.

However, a condition in the embodiment is set on the basis of the condition that aberration generated by inclination of a disk is equivalent to a wavelength as a reference. This will be described in detail by referring to FIG. 18.

FIG. 18 shows a result of calculating aberration generated by inclination of a disk with respect to several wavelengths. An abscissa indicates disk tilt angles (mrad) in a radial direction while an ordinate indicates aberration rms (root mean square) values by wavelength units. The aberration rms values are nearly proportional to the disk tilt angles while inversely proportional to wavelengths. In parts in which the tilt angle is smaller than 20 mrad, the aberration rms value, that is, Wrms, is obtained by the following expression:

$$\text{Wrms}=3.58 \times 10^{-3} \theta \text{ (mrad)}/\lambda \text{ (}\mu\text{m)}$$

For instance, when a wavelength is 0.65 μm and a disk tilt angle is 10 mrad, $\text{Wrms}=0.0551 \lambda$.

The condition in the above-described embodiment is a value obtained on the basis of the condition that an allowable tilt angle of 10 mrad is given when a wavelength is in the vicinity of 0.65 μm . This means, in other words, that a tilt angle of 10 mrad is allowed with respect to a wavelength in the vicinity thereof, and in case where light of a shorter wavelength is used, an allowable tilt angle is made smaller. This relationship is represented by the following expression:

$$\theta \text{ (mrad)}=15.4 \lambda \text{ (}\mu\text{m)}$$

To explain this by referring to FIG. 18, if there is disk inclination of 10 mrad with a wavelength of 0.65 μm , an aberration rms value is 0.0551 λ . As an example, in case where light generated by SHG (Second Harmonic Generation) combining YVO_4 and KTP, a wavelength thereof is 0.532 μm . However, in order to limit aberration to the same rms value as in the case of the above-described condition, that is, 0.0551 λ , at this time, a disk tilt angle to be allowed is 8.2 mrad. When a wavelength is shortened to 0.42 μm or 0.36 μm by using materials such as GaN and the like, a tilt angle to be allowed is further reduced to 6.5 mrad or 5.5 mrad.

If recording density is to be improved in such a short wavelength, an allowable disk tilt angle is accordingly made smaller. Thus, a request for improvement in machine accuracy including accurate formation of a disk, accuracy of a spindle motor and a turntable, chucking accuracy of a disk, etc., will be stronger making it difficult to provide an inexpensive apparatus.

The preferred embodiment was devised in view of this situation and an optical disk apparatus having recording density as high as possible is provided without increasing a demand on machine accuracy. This optical disk apparatus achieves high recording density by keeping an allowable disk tilt angle constant, e.g. 10 mrad. In this case, since the amount of aberration generated in each wavelength at 10 mrad increases, in order to allow such an increase in aberration it is necessary to set a larger parameter used to set recording density for a track pitch and a detection window width. In FIG. 18, if wavelengths of light are set small, e.g., 0.532 μm , 0.42 μm and 0.36 μm , the amount of aberration generated at the disk inclination of 10 mrad gradually increases to 0.0673 λ , 0.0852 λ and 0.0994 λ . Allowing such large aberration correspondingly causes, if expressed in terms of an optical system of 0.65 μm , the allowable values of tilt angles to be such large ones as 12.3 mrad, 15.5 mrad and 18.1 mrad. This conversion is represented by the following expression based on the above-described propor-

tional relationship between the amount of aberration and an allowable tilt angle:

$$\theta \text{ eq (mrad)}=6.5/\lambda[\times] \text{ (}\mu\text{m)}$$

Here, $\theta \text{ eq}$ indicates an angle at which aberration equivalent to that generated when there is inclination of 10 mrad in each wavelength is generated in the optical system of a wavelength 0.65 μm . This angle $\theta \text{ eq}$ increases inversely proportional to the wavelength.

To allow such a large tilt angle, it is necessary to set the value of parameters for determining recording density, e.g., a track pitch, a detection window width and so on, at a value larger than that set proportionally to (λ/NA) .

FIG. 19 shows a relationship between disk tilt angles and window occupancy ratios. As typical values in the above-described embodiment, a wavelength is set at 0.65 μm , a numerical aperture at 0.6, a track pitch at 0.7525 μm , a pit upper width at 0.35 μm , a pit bottom width at 0.2 μm , a detection window width at 0.134 μm assuming that a modulated code scheme of $d=2$ (where d is the minimum run length of '0' for the RLL modulation code) is adopted and a pit depth at $1/5$ of a value obtained by dividing a wavelength λ by a substrate refractive index n . A relationship between disk tilt angles and window occupancy ratios in this case is represented by a curve of (1.0 times). Curves of (1.1 times) and (1.2 times) are obtained when a track pitch, a pit upper width, a pit bottom width and a detecting window width are expanded respectively by 1.1 and 1.2 times. Though recording density declines to $1/1.1^2$ and $1/1.2^2$, disk tilt angles to be allowed increase instead.

In FIG. 19, window occupancy ratios indicated by an ordinate are values obtained by calculating reproducing signals based on the scalar diffraction theory, including a lower limit achievable when cross talk from an adjacent track is to be considered in addition to inter symbol interferences (ISI) by various pit patterns generated under the restrictions of modulated codes and in each case jitters are to be reduced by using an optimum equalizing circuit. It requires a great deal of time to calculate these window occupancy ratios and this is made possible only with the development of a calculation program based on high-speed algorithm. Also, since NA is large, even in calculations of aberration caused by inclination of a substrate, a more accurate evaluating method based on ray tracing is used rather than a usually used approximate expression.

FIG. 20 is a view outgrown from FIG. 19 and obtained by plotting multiplication ratios necessary for allowable disk tilt angles with a window occupancy ratio of 80% as a reference.

According to the above-described preferred embodiment, a procedure for designing an optical disk apparatus is as follows:

First, by referring to FIG. 18, a determination is to be made on whether it is possible or not to set small an allowable value of a disk tilt angle so as to keep aberration within that obtained when a wavelength is 0.65 μm and a disk tilt angle is 10 mrad. If it is possible, parameters for a track pitch, a pit upper width, a pit bottom width and a detection window width may be determined based on the above-described embodiment. On the other hand, if it is impossible to set an allowable disk tilt angle so small, the value (0.08) of the amount of aberration to be allowed is read from a wavelength to be used (e.g. 0.42 μm) and an allowable disk tilt angle (e.g. 10.0 mrad) in FIG. 18, and in this amount of aberration (0.08) a disk tilt angle (15.0 mrad) corresponding to the amount of aberration obtained in an optical system in which a wavelength is 0.65 μm is to be

considered as an allowable disk tilt angle therein. Then, a magnification ratio (1.2) necessary to realize this allowable disk tilt angle (15.0 mrad) is to be read from FIG. 20. Lastly, by multiplying each parameter value set according to the above-described embodiment by this multiplication ratio (1.2), it is possible to realize an optical disk capable of securing a practical disk tilt angle to be allowed even in a short wavelength.

Furthermore, in the description of the embodiment, thickness of a substrate was 0.6 mm. However, since aberration is proportional to thickness of a substrate, it is possible to set a parameter by calculating proportion when thickness of a substrate is one other than the above. For instance, if a substrate has thickness of 0.4 mm, a value of aberration is $\frac{2}{3}$ times as that in FIG. 18 and thus aberration may be set according to this multiplication. In other words, as described above, since the amount of aberration is inversely proportional to a wavelength, if this condition is used, multiplication of substrate thickness by λ means that a wavelength is multiplied by $1/\lambda$ in terms of an aberration amount. Therefore, by performing conversion under this condition, it is possible to determine multiplication ratios with respect to parameters for a track pitch, a pit upper width and bottom width set according to the above-described embodiment as in the case of the procedure.

In case where thickness of a substrate is $600 \mu\text{m}$ and a wavelength is μm , as described above, a relationship, $\theta \text{ eq (mrad)} = 6.5/\lambda (\mu\text{m})$, holds. In case where thickness of a substrate is $d_s \mu\text{m}$, however, the following relationship holds:

$$\begin{aligned} \theta \text{ eq (mrad)} &= 6.5/\lambda \times (d_s/600)(\mu\text{m}) \\ &= 1.083 \times 10^{-2} \times (d_s/\lambda) \end{aligned}$$

According to this relationship, a measure of an abscissa is added to the upper part of a graph at d_s/λ in FIG. 20. The graph in FIG. 20 is made based on calculation taking a wavelength of $0.65 \mu\text{m}$ as an example. If the measure on the upper part is used, however, without performing conversion via parameters of a wavelength $0.65 \mu\text{m}$ scheme, it is possible to read necessary multiplication ratios by calculating proportion between a substrate and a wavelength which are actually used.

Further in detail, in the above-described embodiment, ranges of a track pitch, upper and bottom pit widths and depth are set in the following way:

$$\begin{aligned} \text{Track pitch: } &(0.72 \text{ to } 0.8) \times (\lambda/\text{NA})/1.14 \mu\text{m} \\ \text{Upper width: } &(0.3 \text{ to } 0.5) \times (\lambda/\text{NA})/1.14 \mu\text{m} \\ \text{Bottom width: } &(0.2 \text{ to } 0.32) \times (\lambda/\text{NA})/1.14 \mu\text{m} \\ \text{Depth: } &(1/4.2 \times \lambda/n) \text{ to } (1/5.2 \times \lambda/n) \end{aligned}$$

These parameters are values when a wavelength is $0.65 \mu\text{m}$, and if a wavelength of used laser light is shorter than this, these parameters are multiplied by α . That is, coefficients are respectively multiplied by α as in the following expression:

$$\begin{aligned} \text{Track pitch: } &(0.72 \text{ to } 0.8) \alpha \times (\lambda/\text{NA})/1.14 \mu\text{m} \\ \text{Upper width: } &(0.3 \text{ to } 0.5) \alpha \times (\lambda/\text{NA})/1.14 \mu\text{m} \\ \text{Bottom width: } &(0.2 \text{ to } 0.32) \alpha \times (\lambda/\text{NA})/1.14 \mu\text{m} \\ \text{Depth: } &(1/4.2 \times \alpha/n) \text{ to } (1/5.2 \lambda/n). \end{aligned}$$

This multiple can be read from the graph in FIG. 20. However, an approximate expression like the following may be applied to designing. That is, if an abscissa indicates allowable disk tilt angles $\theta \text{ eq (mrad)}$ expressed in terms of $0.65 \mu\text{m}$ and an ordinate indicates dimensional multiplication ratios α , α is represented by the following expression:

$$\alpha = 0.002236 \times \theta \text{ eq}^2 - 0.01575 \times \theta \text{ eq} + 0.934$$

If by using substrate thickness d_s and a wavelength λ this expression of α is replaced by the above-described expression, that is,

$$\theta \text{ eq (mrad)} = 1.083 \times 10^{-2} \times (d_s/\lambda)$$

α is a value obtained by the following expression:

$$\alpha = 2.623 \times 10^{-7} \times (d_s/\lambda)^2 - 1.706 \times 10^{-4} (d_s/\lambda) + 0.934$$

According to this expression, an optimum multiplication ratio when substrate thickness and a wavelength are both changed can be obtained as a function therebetween.

The above embodiment sets the allowable tilt angle at 10 mrad. However, the present invention can be applied to another tilt angle. In this case, $\theta \text{ eq}$ and α are represented by the following expressions.

$$\theta \text{ eq (mrad)} = 1.083 \times 10^{-3} \times (\theta_A d_s/\lambda)$$

where θ_A (mrad): allowable tilt angle.

$$\alpha = 2.623 \times 10^{-9} \times (\theta_A d_s/\lambda)^2 - 1.706 \times 10^{-5} (\theta_A d_s/\lambda) + 0.934.$$

What is claimed is:

1. An optical disk comprising:

a circular substrate having a predetermined diameter and a predetermined thickness, said substrate comprising information recorded as a plurality of pit trains formed on said circular substrate with a track pitch, each said pit train comprising a plurality of pits; and

a reflecting layer formed on said substrate;

wherein said information is reproduced by said pit trains being irradiated with a light beam via an objecting lens, said objective lens having a numerical aperture NA, and wherein: said track pitch is in the range of $(0.72 \text{ to } 0.8) \alpha \times (\lambda/\text{NA})/1.14 \mu\text{m}$ when a wavelength of said light beam is $\lambda \mu\text{m}$; each of said pits is scaled by the multiplication ratio α , said multiplication ratio α being used to secure allowable tilt angles of said optical disk and being obtained by $2.623 \times 10^{-7} [\times] (d_s/\lambda)^2 - 1.706 \times 10^{-4} (d_s/\lambda) + 0.934 [\text{m}]$, where d_s is said predetermined thickness in μm and is equal to $600 \mu\text{m}$; a radial tilt of said optical disk is not more than 9.5 mrad; and said predetermined diameter is 120 mm.

2. The optical disk according to claim 1, further comprising:

a secondary substrate comprising secondary information recorded as a plurality of second pit trains formed on said secondary substrate at said track pitch, each said second pit train comprising a plurality of second pits; and

a secondary reflecting layer formed on said secondary substrate, said reflecting layer and said secondary reflecting layer being disposed between said substrate and said secondary substrate.

3. The optical disk according to claim 2, further comprising a pair of protective films formed on said reflecting layer and said secondary reflecting layer, respectively, and positioned between said reflecting layer and said secondary reflecting layer.

4. The optical disk according to claim 3, further comprising an adhesion layer formed between said protective films to adhere said protective films to each other.

5. An optical disk apparatus comprising:

an optical disk comprising a circular substrate and a reflecting layer formed on said substrate, said substrate

15

having a predetermined diameter and a predetermined thickness and comprising information recorded as a plurality of pit trains formed on said substrate with a track pitch, each said pit train comprising a plurality of pits;

an objective lens disposed so as to face said optical disk, said objective lens having a numerical aperture NA; means for projecting a light beam onto said optical disk via said objective lens; and

means for sensing reflected light of said light beam projected onto said optical disk by said projecting means to reproduce said information recorded on said optical disk;

wherein[.] said track pitch is in the range of $(0.72 \text{ to } 0.8)\alpha \times (\lambda/NA)/1.14 \mu\text{m}$ when a wavelength of said light beam is $\lambda \mu\text{m}$; each of said pits is scaled by the multiplication ratio α , said multiplication ratio being used to secure allowable tilt angles of said optical disk and being obtained by $2.623 \times 10^{-7} [(d_s/\lambda)^2 - 1.706 \times 10^{-4} (d_s/\lambda) + 0.934] \text{ [m]}$, where d_s is said predetermined thickness in μm and is equal to $600 \mu\text{m}$; a radial tilt of said optical disk is not more than 9.5 mrad ; and said predetermined diameter is 120 mm .

6. The optical disk apparatus according to claim 5, wherein said sensing means produces a push-pull signal and a playback signal, said push-pull signal representing a difference between signals sensed in at least two areas along a track of said optical disk, and wherein each of said pits has a depth to enable both said push-pull signal and said playback signal to have large levels.

7. The optical disk apparatus according to claim 5, wherein said information, when recorded on said substrate, is compressed according to MPEG2, and wherein said sensing means has a function of expanding said information to reproduce said information.

8. An optical disk comprising:

a pair of transparent circular substrates with surfaces facing one another, each of said transparent circular substrates having information recorded as a plurality of pit trains formed on a corresponding one of said transparent circular substrates with a track pitch, each said pit train comprising a plurality of pits;

a pair of reflecting layers coated on said facing surfaces of said circular substrates, respectively,

a pair of protective layers formed on said pair of reflecting layers, respectively; and

an adhesive layer formed between said protective layers to adhere said protective layers to one another;

wherein said information is reproduced by said pit trains being irradiated with a light beam via an objective lens, said objective lens having a numerical aperture NA, and wherein: said track pitch is in the range of $(0.72 \text{ to } 0.8)\alpha \times (\lambda/NA)/1.14 \mu\text{m}$ when a wavelength of said light beam is $\lambda \mu\text{m}$; each of said pits is scaled by the multiplication ratio α , said multiplication ratio α being used to secure allowable tilt angles of said optical disk and being obtained by $2.623 \times 10^{-7} [(d_s/\lambda)^2 - 1.706 \times 10^{-4} (d_s/\lambda) + 0.934] \text{ [m]}$, where d_s is said predetermined thickness in μm and is equal to $600 \mu\text{m}$; a radial tilt of said optical disk is not more than 9.5 mrad ; and said predetermined diameter is 120 mm .

9. An optical disk comprising:

a circular substrate comprising information recorded as a plurality of pit trains formed on said circular substrate with a track pitch, each said pit train comprising a plurality of pits; and

16

a reflecting layer formed on said substrate;

wherein said information is reproduced by said pit trains being irradiated with a light beam via an objective lens, said objective lens having a numerical aperture NA, and wherein said track pitch is in the range of $(0.72 \text{ to } 0.8)\alpha \times (\lambda/NA)/1.14 \mu\text{m}$ when a wavelength of said light beam is $\lambda \mu\text{m}$; each of said pits is scaled by the multiplication ratio α , said multiplication ratio α being used to secure allowable tilt angles of said optical disk and being obtained by $2.623 \times 10^{-7} (d_s/\lambda)^2 - 1.706 \times 10^{-4} (d_s/\lambda) + 0.934$, where d_s is a thickness of said circular substrate in μm ; a radial tilt of said optical disk is not more than 9.5 mrad .

10. An optical disk apparatus comprising:

an optical disk comprising a circular substrate and a reflecting layer formed on said substrate, said substrate comprising information recorded as a plurality of pit trains formed on said substrate with a track pitch, each said pit train comprising a plurality of pits;

an objective lens disposed so as to face said optical disk, said objective lens having a numerical aperture NA;

a projector configured to project a light beam onto said optical disk via said objective lens; and

a sensor configured to sense reflected light of said light beam projected onto said optical disk by said projecting means to reproduce said information recorded on said optical disk,

wherein said track pitch is in the range of $(0.72 \text{ to } 0.8)\alpha \times (\lambda/NA)/1.14 \mu\text{m}$ when a wavelength of said light beam is $\lambda \mu\text{m}$; each of said pits is scaled by the multiplication ratio α , said multiplication ratio being used to secure allowable tilt angles of said optical disk and being obtained by $2.623 \times 10^{-7} (d_s/\lambda)^2 - 1.706 \times 10^{-4} (d_s/\lambda) + 0.934$, where d_s is a thickness of said circular substrate in μm ; a radial tilt of said optical disk is not more than 9.5 mrad .

11. An optical disk comprising:

a circular substrate comprising information recorded as a plurality of pit trains formed on said circular substrate with a track pitch, each said pit train comprising a plurality of pits; and

a reflecting layer formed on said substrate;

wherein said information is reproduced by said pit trains being irradiated with a light beam via an objective lens, said objective lens having a numerical aperture NA, and wherein said track pitch is in the range of $(0.72 \text{ to } 0.8)\alpha \times (\lambda/NA)/1.14 \mu\text{m}$ when a wavelength of said light beam is $\lambda \mu\text{m}$; each of said pits is scaled by the multiplication ratio α , said multiplication ratio α being used to secure allowable tilt angles of said optical disk and being obtained by $2.623 \times 10^{-9} (\theta_A d_s/\lambda)^2 - 1.706 \times 10^{-5} (\theta_A/\lambda) + 0.934$, where d_s is a thickness of said circular substrate in μm ; and θ_A is an allowable tilt angle in mrad .

12. An optical disk according to claim 11, wherein said substrate has the thickness of $600 \mu\text{m}$ and a diameter of 120 mm .

13. An optical disk apparatus comprising:

an optical disk comprising circular substrate and a reflecting layer formed on said substrate, said substrate comprising information recorded as a plurality of pit trains formed on said substrate with a track pitch, each said pit train comprising a plurality of pits;

an objective lens disposed so as to face said optical disk, said objective lens having a numerical aperture NA;

17

a projector configured to project a light beam onto said optical disk via said objective lens; and

a sensor configured to sense reflected light of said light beam projected onto said optical disk by said projecting means to reproduce said information recorded on said optical disk,

wherein said track pitch is in the range of $(0.72 \text{ to } 0.8)\alpha \times (\lambda/NA)/1.14 \mu\text{m}$ when a wavelength of said light beam is $\lambda \mu\text{m}$; each of said pits is scaled by the multiplication ratio α , said multiplication ratio being

18

used to secure allowable tilt angles of said optical disk and being obtained by $2.623 \times 10^{-9} (\theta_A d_s / \lambda)^2 - 1.706 \times 10^{-5} (\theta_A d_s / \lambda) + 0.934$, where d_s is a thickness of said circular substrate in μm ; and θ_A is an allowable tilt angle in mrad.

14. An optical disk according to claim 13, wherein said substrate has the thickness of $600 \mu\text{m}$ and a diameter of 120 mm .

* * * * *