



(19) **United States**  
(12) **Reissued Patent**  
Patel et al.

(10) **Patent Number:** **US RE38,456 E**  
(45) **Date of Reissued Patent:** **Mar. 9, 2004**

(54) **DECIMATION OF BASEBAND DTV SIGNALS PRIOR TO CHANNEL EQUALIZATION IN DIGITAL TELEVISION SIGNAL RECEIVERS**

5,666,170 A \* 9/1997 Stewart ..... 348/326  
5,841,814 A \* 11/1998 Cupo ..... 375/321  
5,872,815 A \* 2/1999 Strolle et al. .... 375/321  
6,211,924 B1 \* 4/2001 Patel et al. .... 348/726  
6,320,627 B1 \* 11/2001 Scott et al. .... 348/726

(75) Inventors: **Chandrakant B. Patel**, Hopewell, NJ (US); **Allen LeRoy Limberg**, Vienna, VA (US)

**OTHER PUBLICATIONS**

(73) Assignee: **Samsung Electronics Co., Ltd.**, Kyungki-do (KR)

“Understanding Timing Recovery and Jitter in Digital Transmission Systems—Part I”, Kenneth J. Bures; RF Design; pp 45–53, Oct. 1992.\*

(21) Appl. No.: **09/973,825**

\* cited by examiner

(22) Filed: **Oct. 11, 2001**

*Primary Examiner*—Victor R. Kostak

(74) *Attorney, Agent, or Firm*—Sughrue Mion, PLLC

**Related U.S. Patent Documents**

Reissue of:

(64) Patent No.: **5,966,188**  
Issued: **Oct. 12, 1999**  
Appl. No.: **09/021,946**  
Filed: **Feb. 11, 1998**

(57) **ABSTRACT**

A radio receiver uses the same tuner for receiving a selected digital television (DTV) signal, irrespective of whether it is a quadrature-amplitude-modulation (QAM) or a vestigial sideband (VSB) signal. The final IF signal is digitized at a rate that is a multiple of both the symbol frequencies of the QAM and VSB signals, for synchrodyning to baseband. The carrier frequencies of the QAM and VSB final IF signals are regulated to be submultiples of the multiple of both the symbol frequencies of the QAM and VSB signals by applying automatic frequency and phase control (AFPC) signals developed in the digital circuitry to a local oscillator of the tuner. Baseband DTV signals obtained by synchrodyning the final IF signals have a sample rate higher than symbol rate to facilitate symbol synchronization. The baseband DTV signals are decimated to symbol rate before performing channel equalization to reduce the number of multipliers required in the channel equalization filter.

U.S. Applications:

(63) Continuation-in-part of application No. 08/773,949, filed on Dec. 26, 1996, now abandoned.

(51) **Int. Cl.**<sup>7</sup> ..... **H04N 5/455**

(52) **U.S. Cl.** ..... **348/726; 348/720; 375/348**

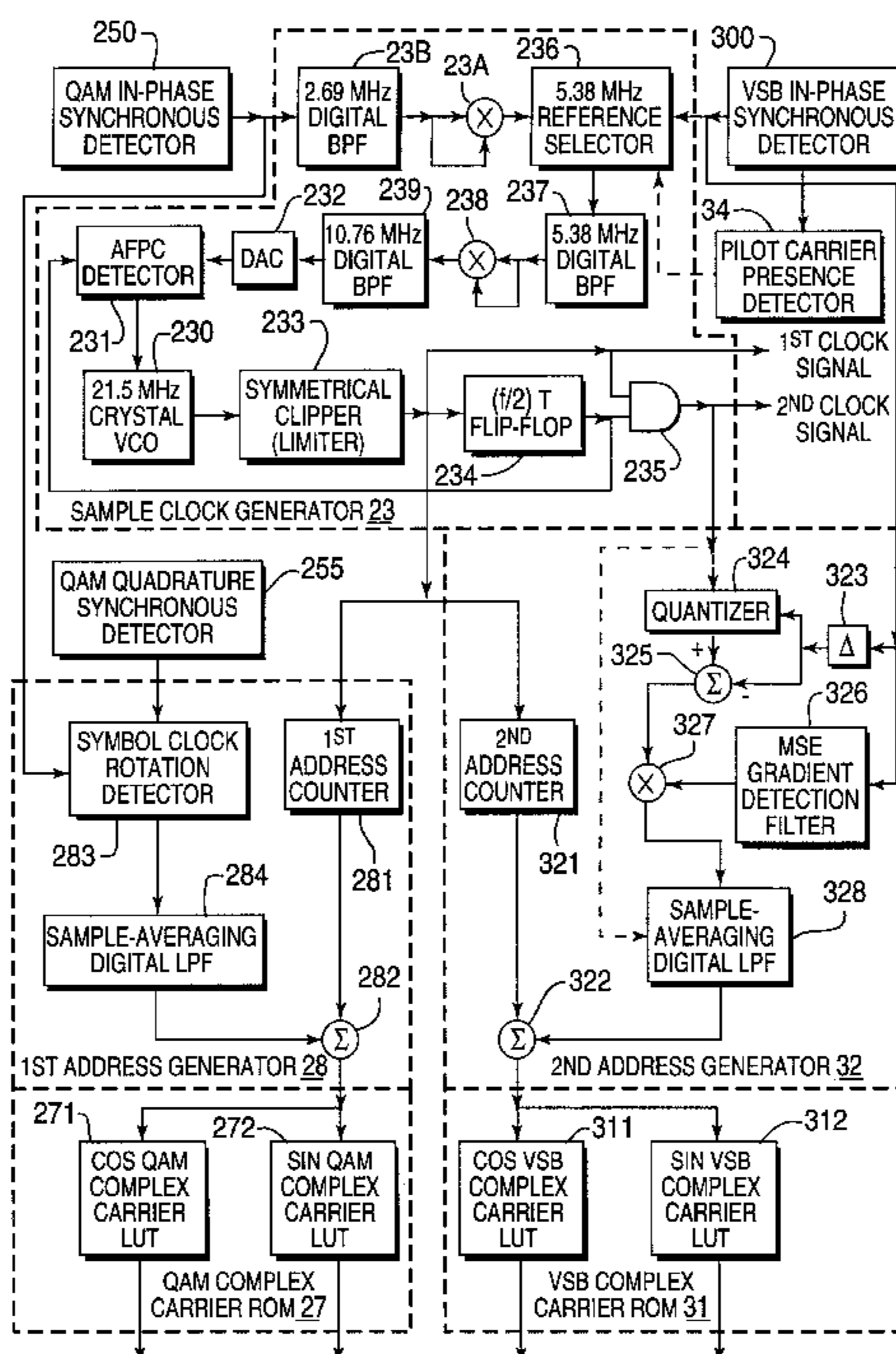
(58) **Field of Search** ..... 348/726, 720, 348/432.1, 426.1, 427.1, 555, 21, 470, 614; 375/348, 350, 321, 346; 329/349, 353

(56) **References Cited**

**U.S. PATENT DOCUMENTS**

5,604,541 A \* 2/1997 Kim et al. .... 348/426

**44 Claims, 12 Drawing Sheets**



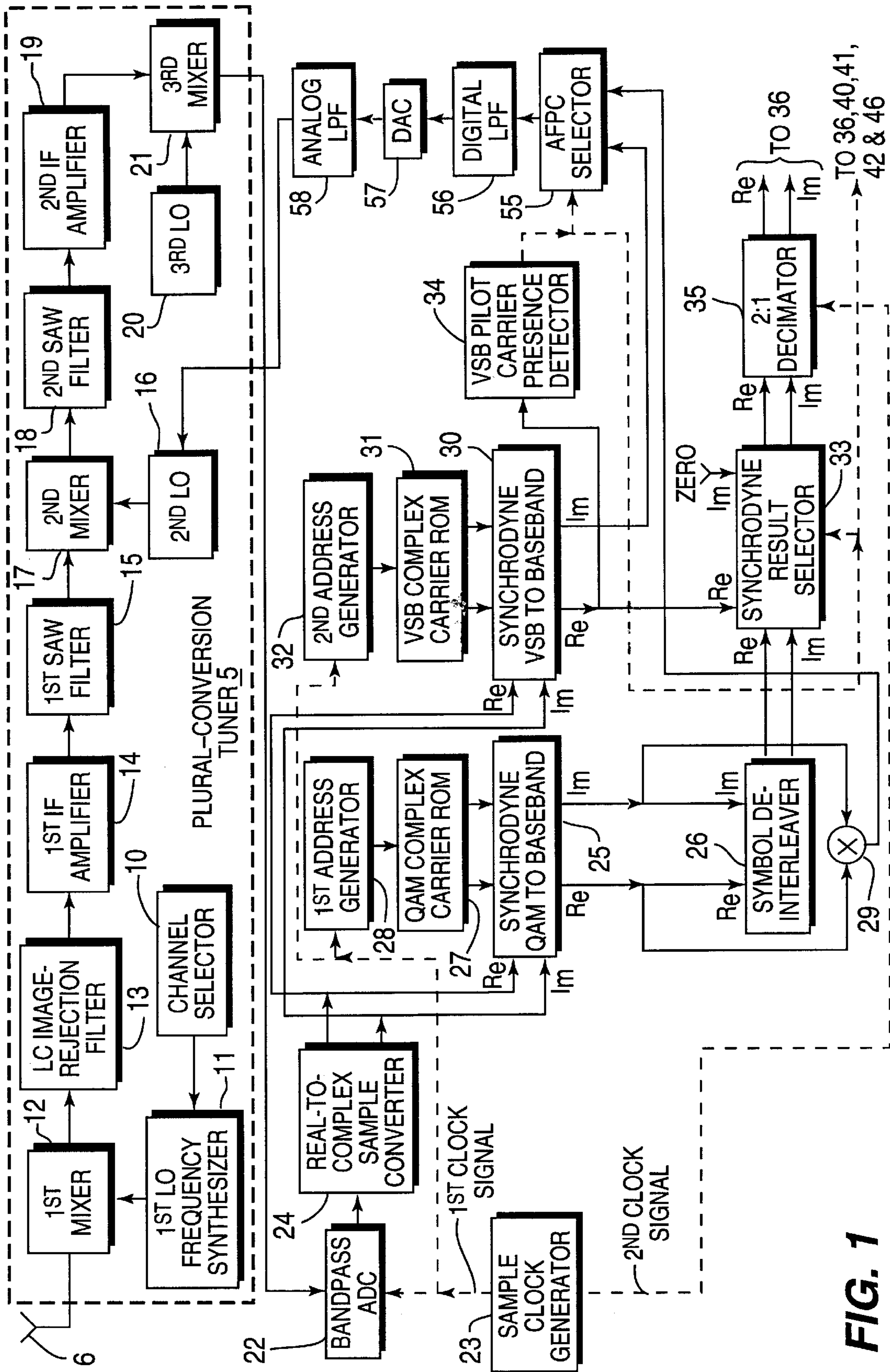


FIG. 1

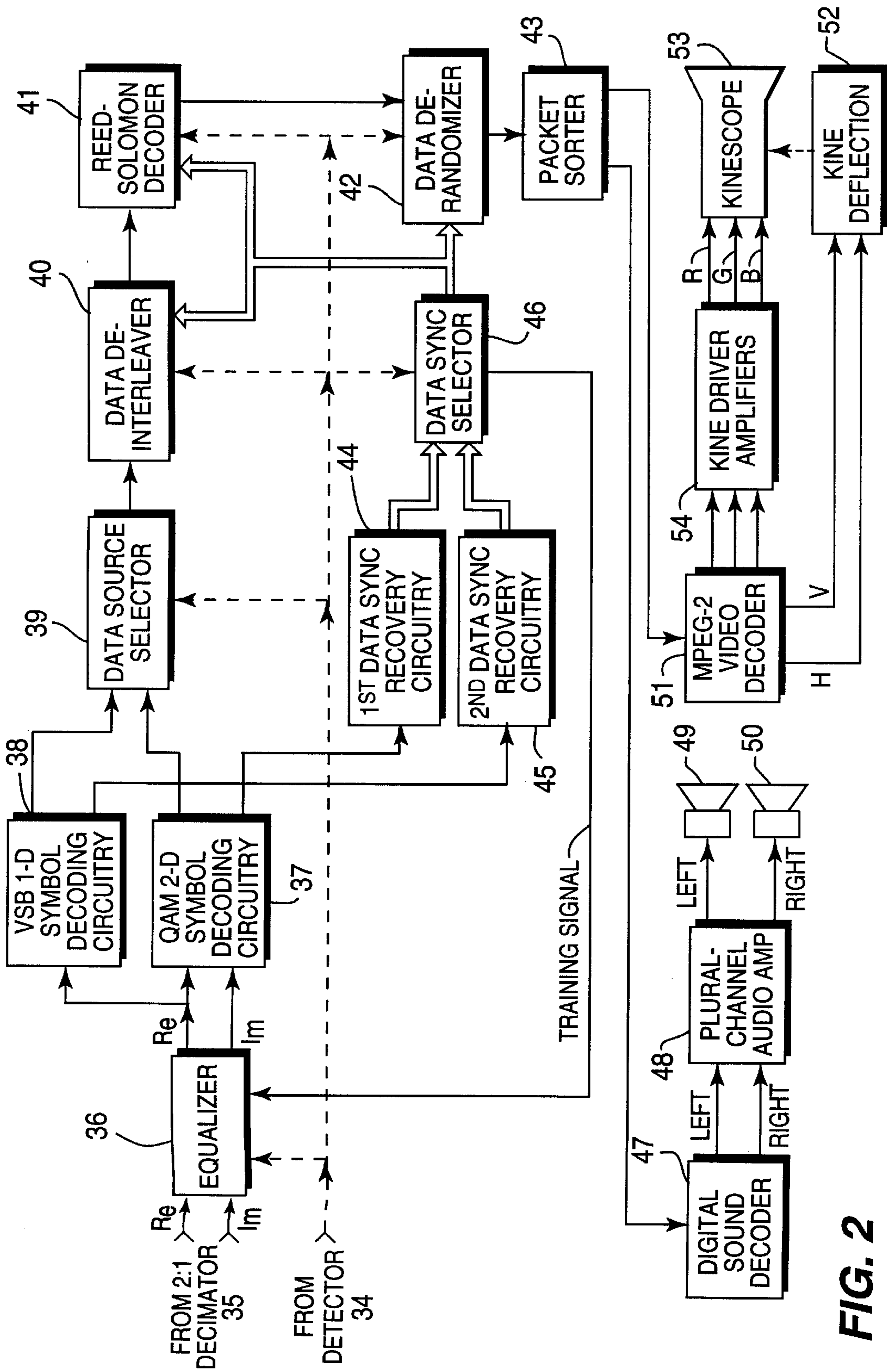


FIG. 2



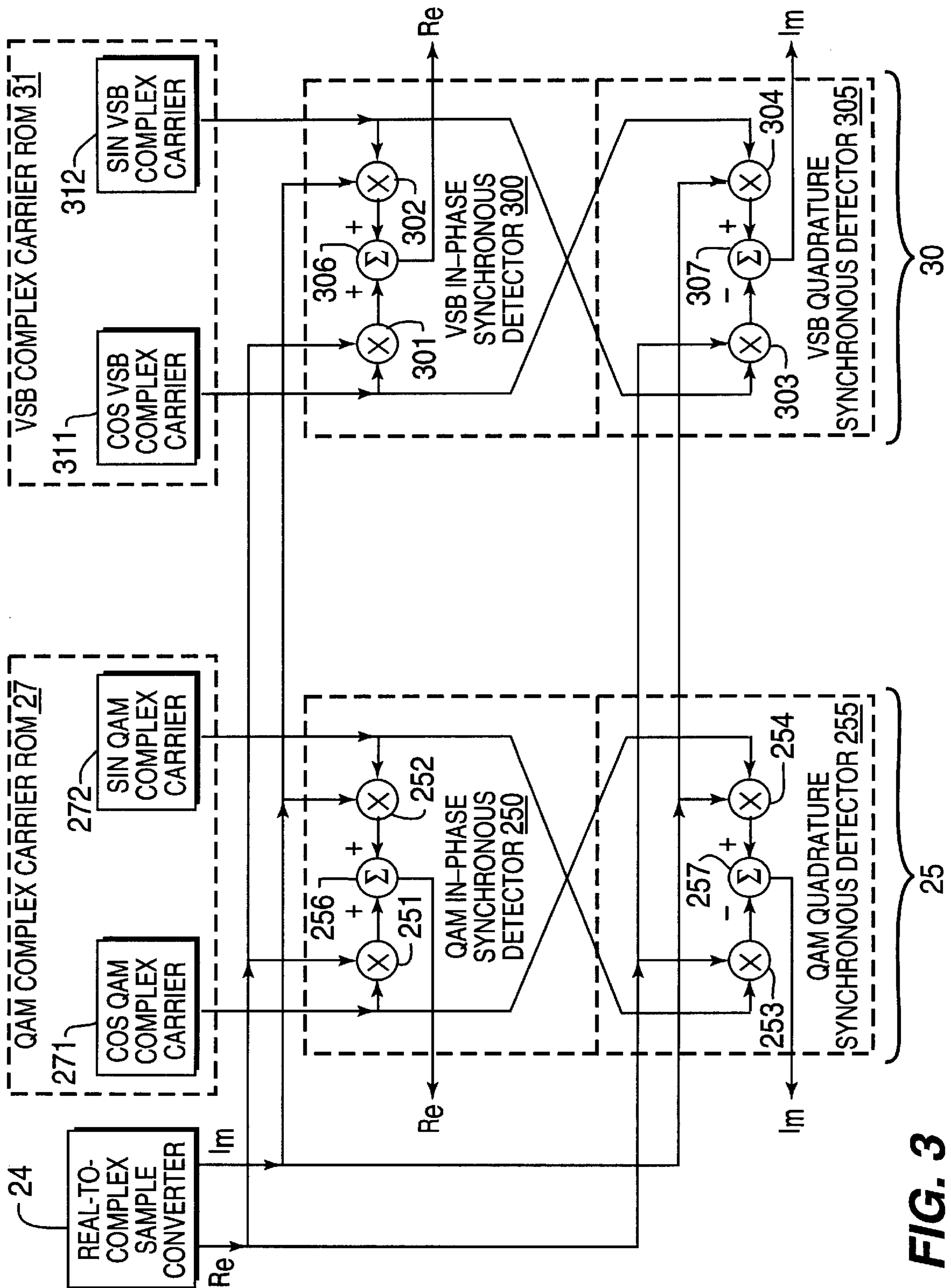


FIG. 3

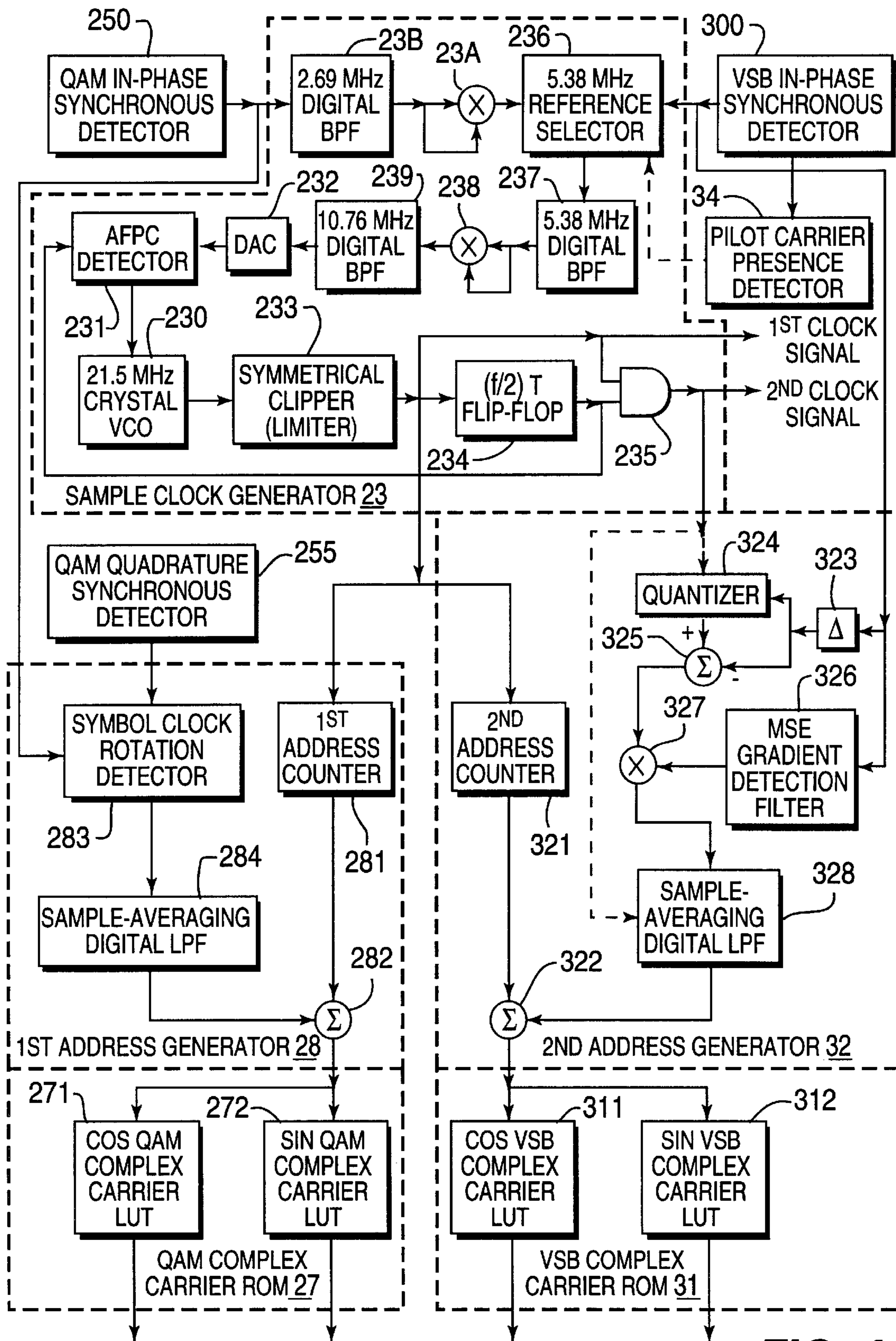


FIG. 4

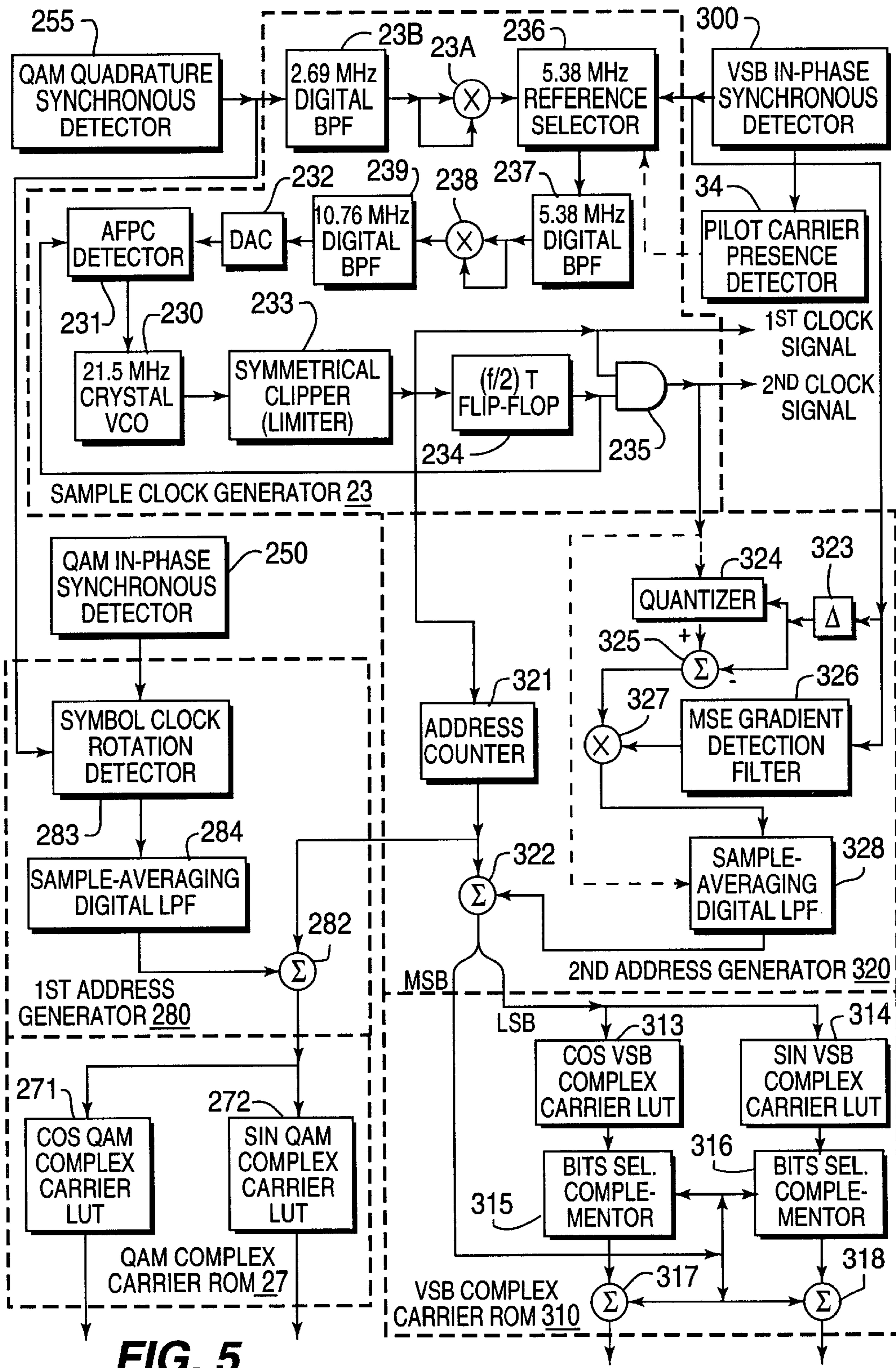


FIG. 5

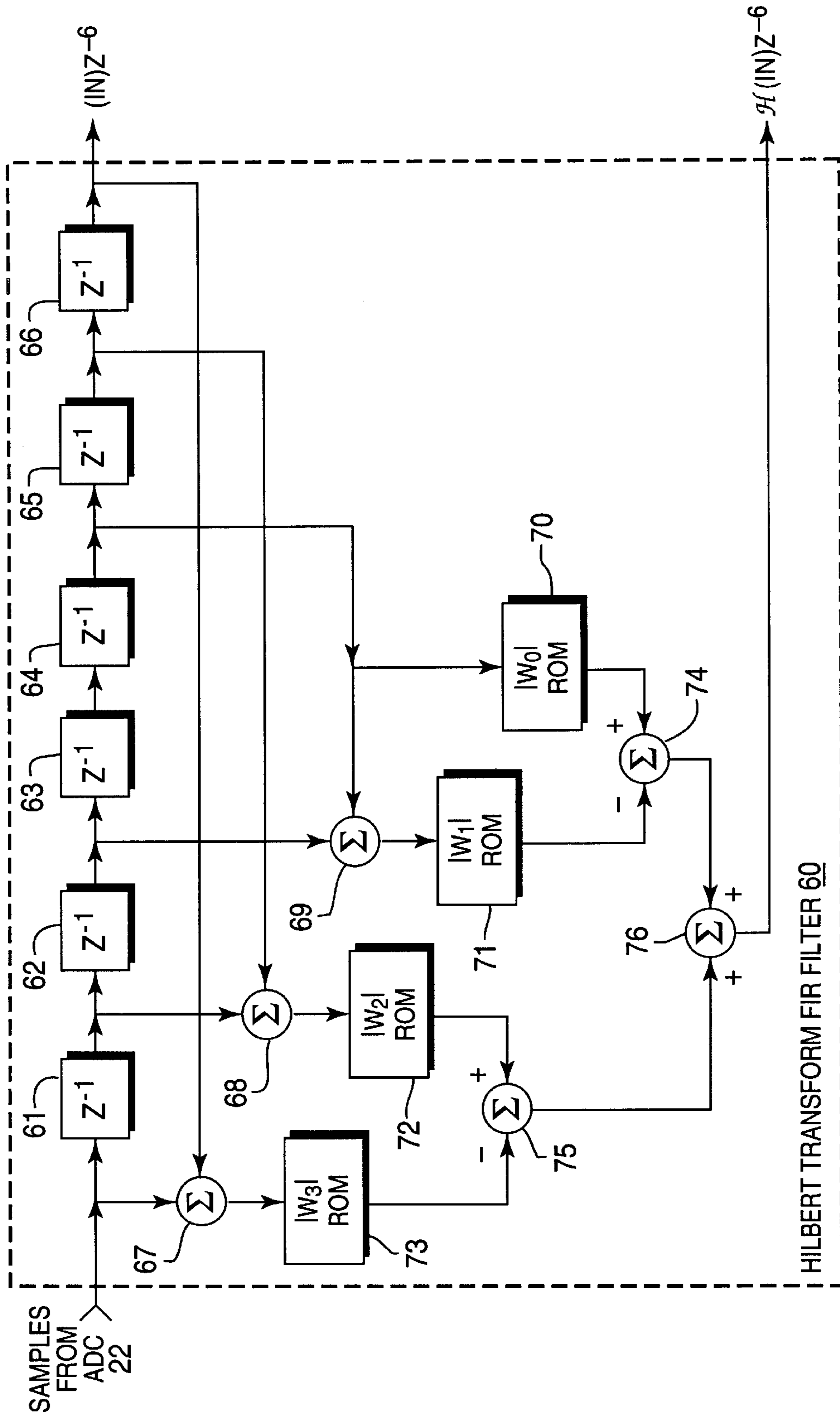


FIG. 6



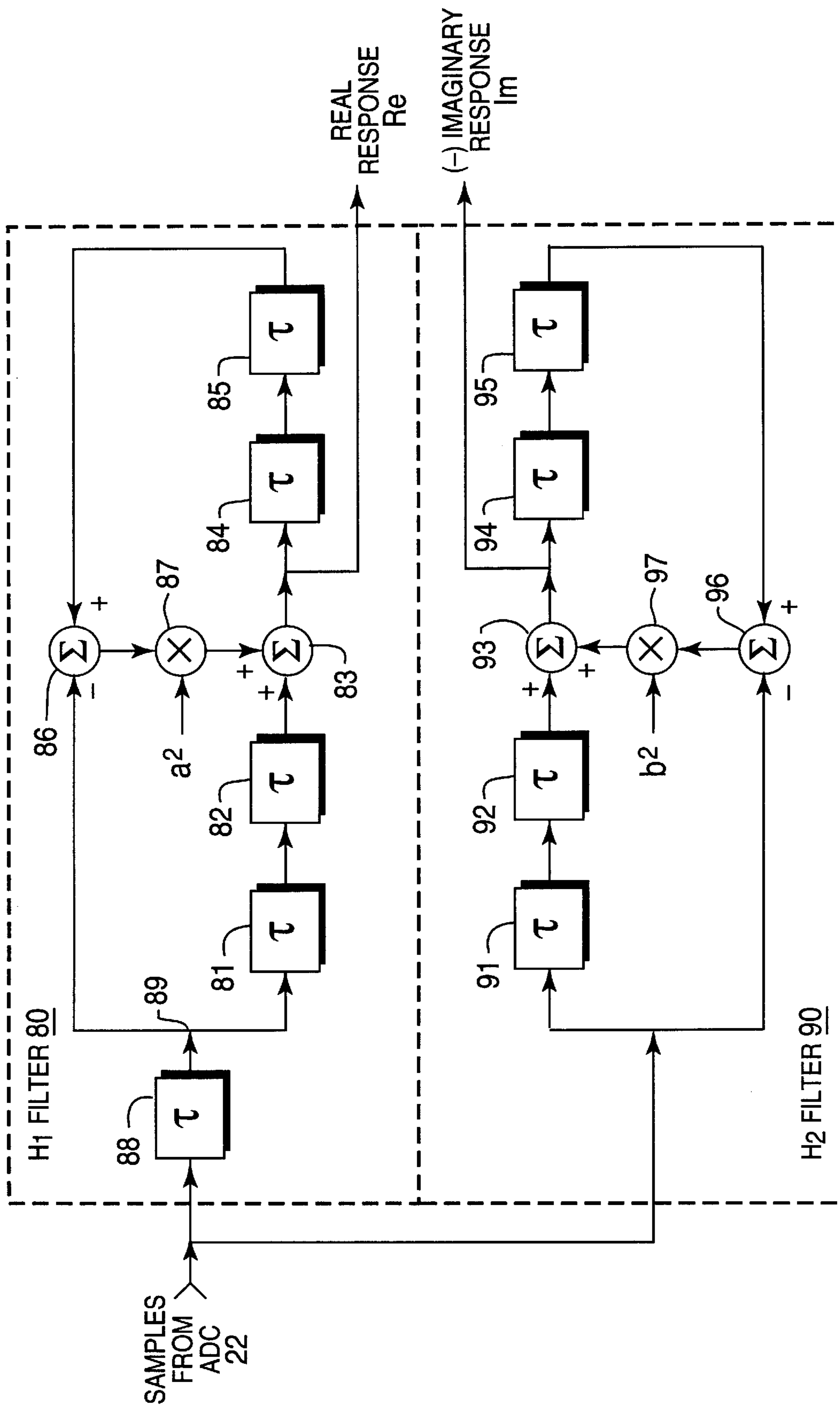


FIG. 7



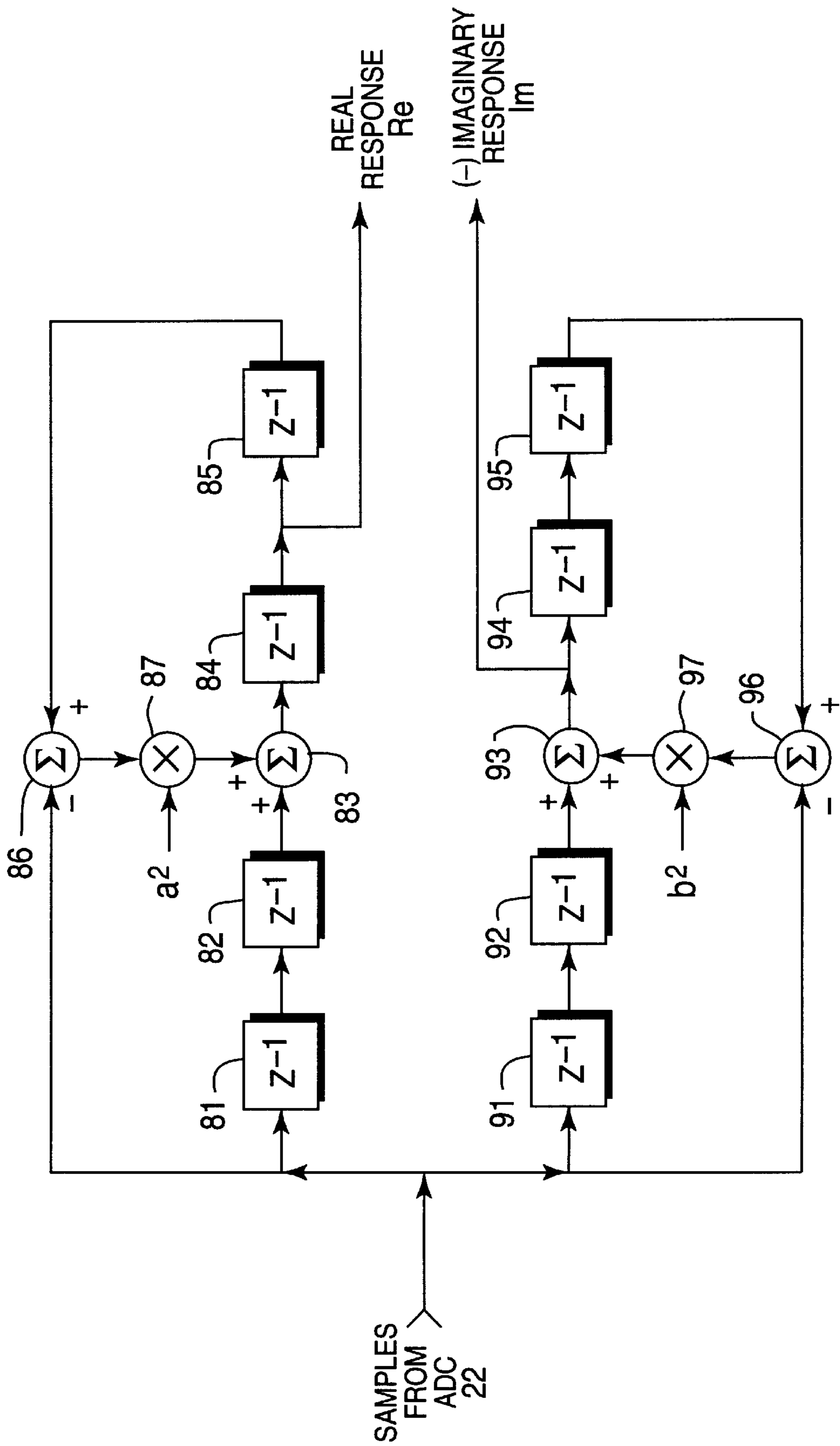


FIG. 8

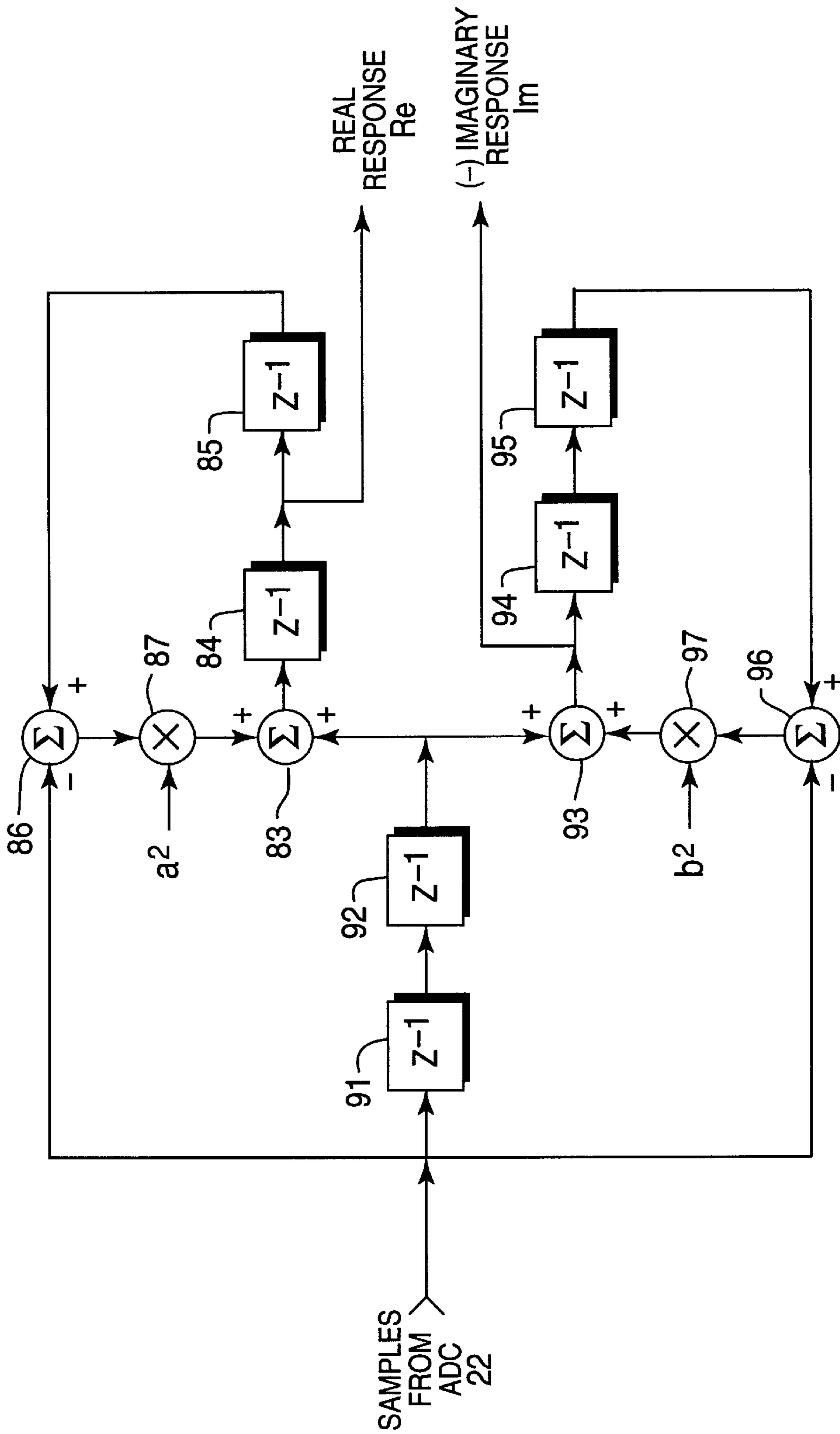


FIG. 9

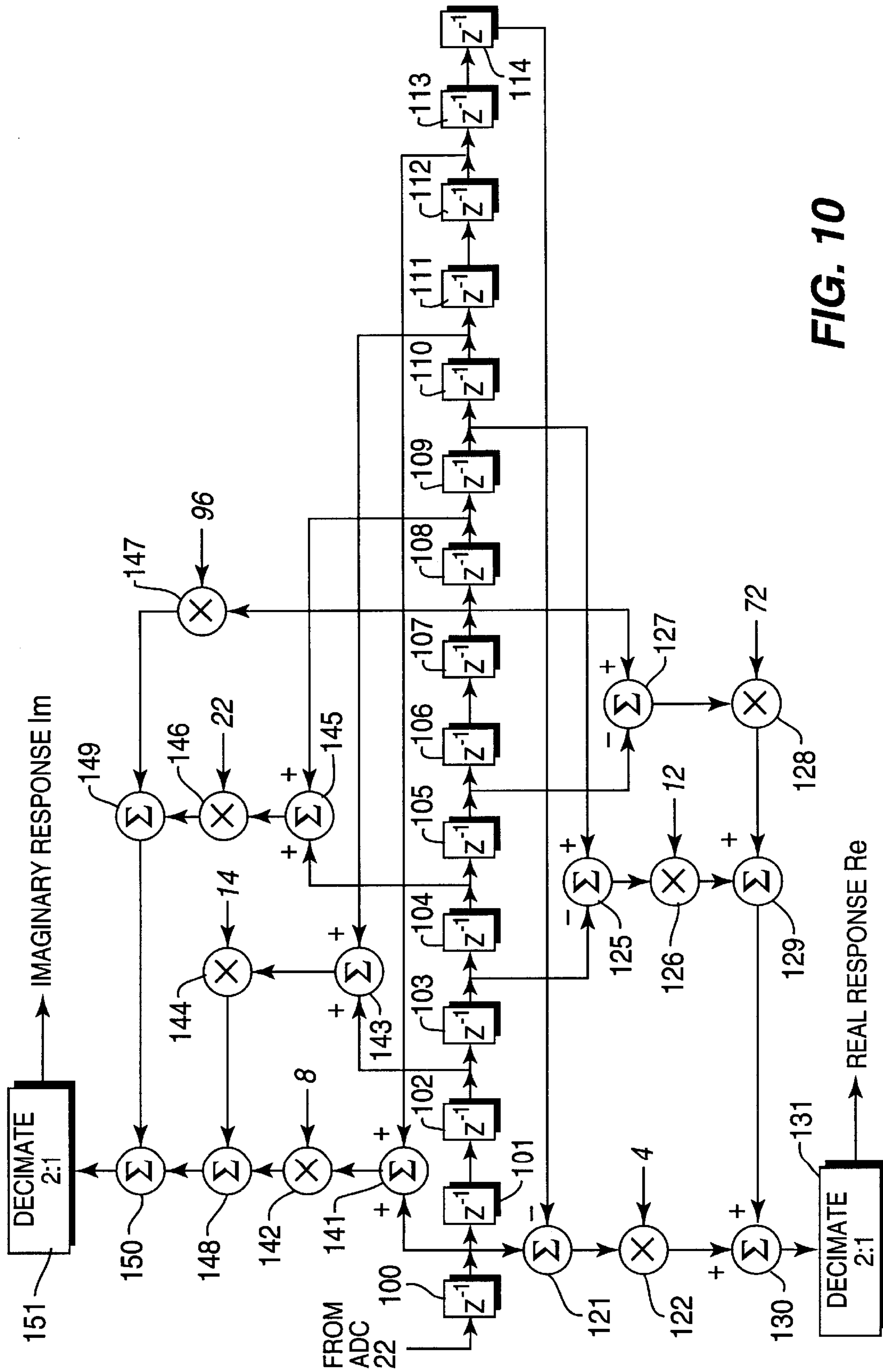
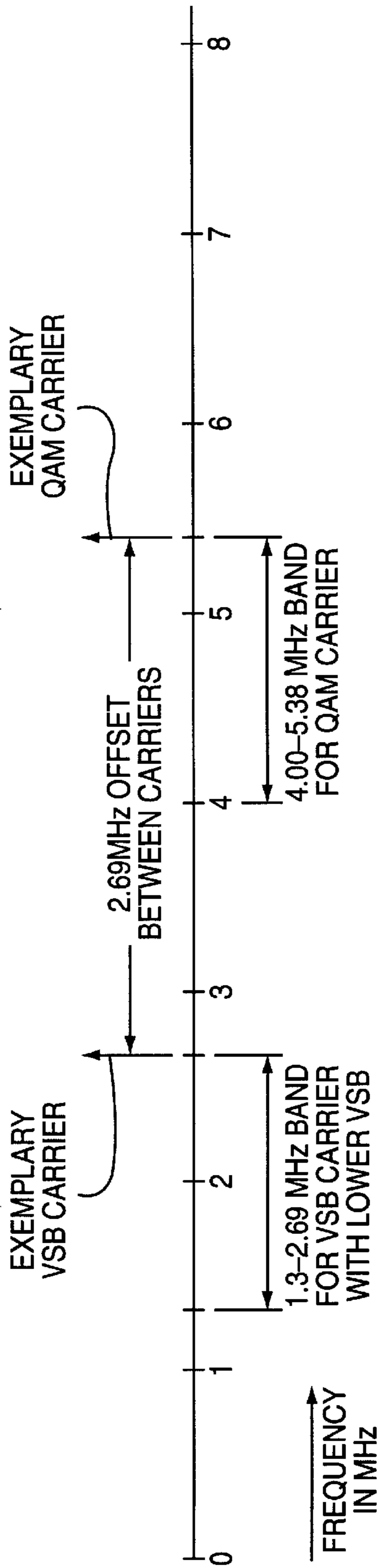
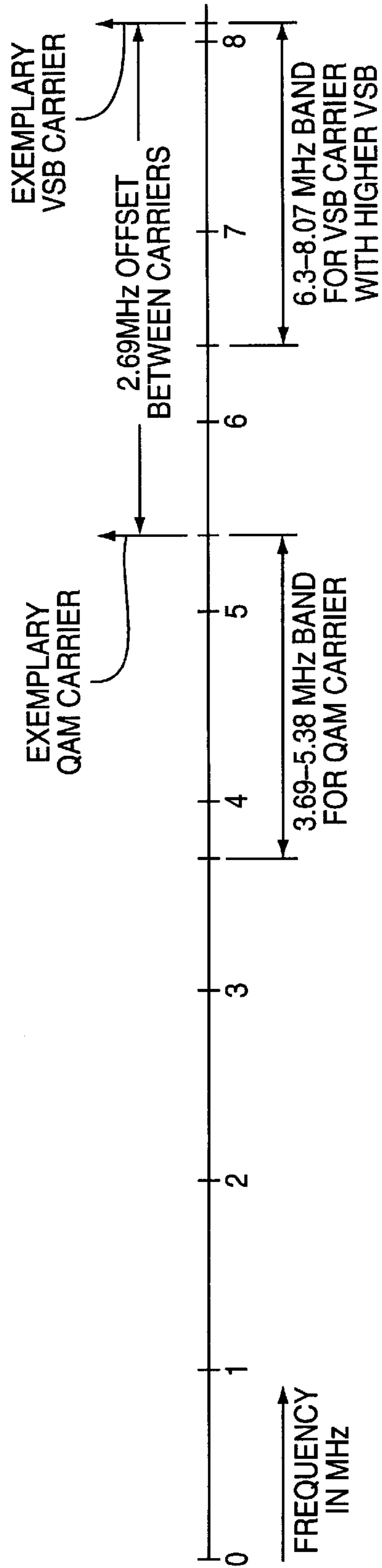


FIG. 10



**FIG. 11**



**FIG. 12**



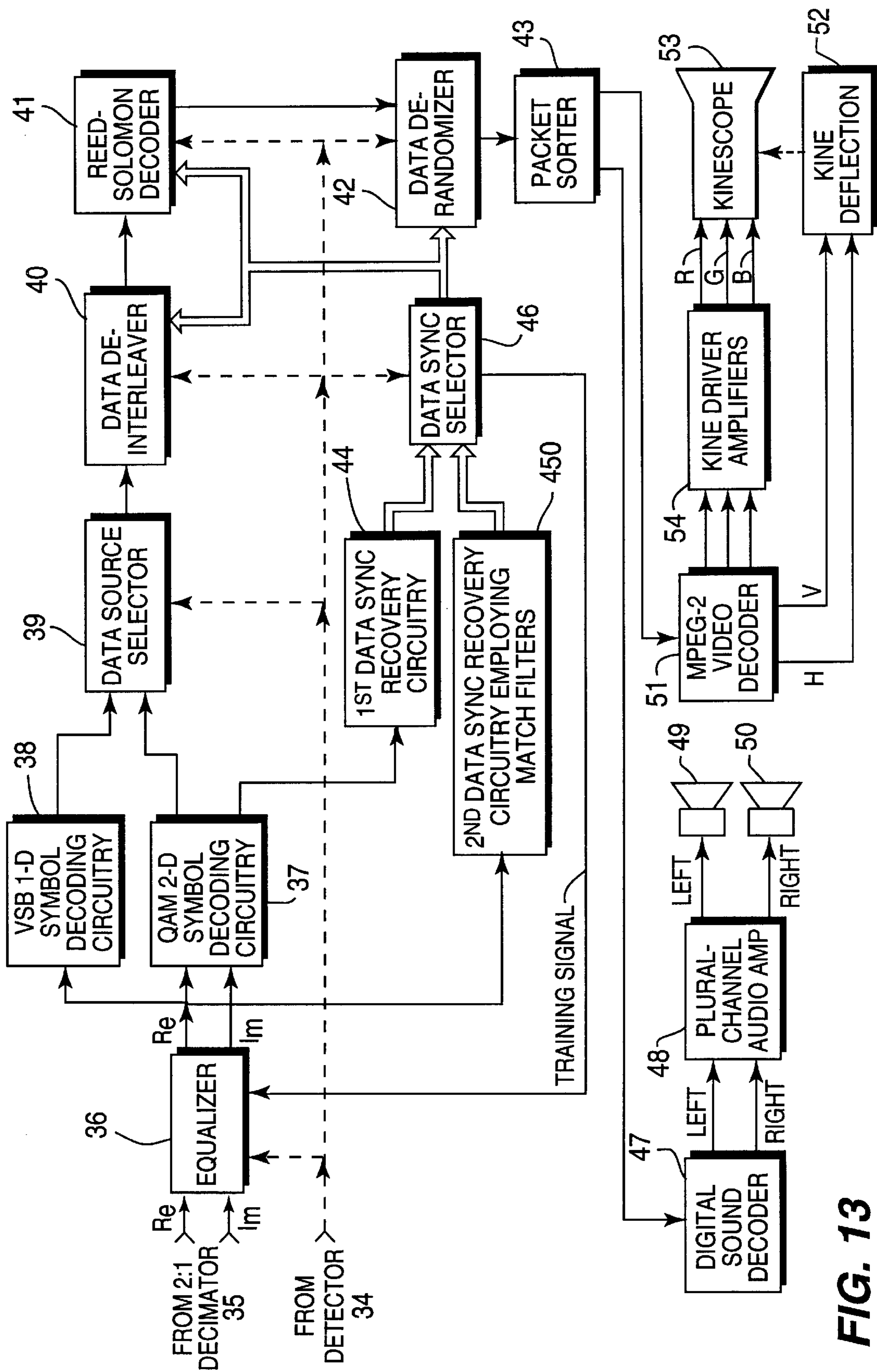


FIG. 13



**DECIMATION OF BASEBAND DTV SIGNALS  
PRIOR TO CHANNEL EQUALIZATION IN  
DIGITAL TELEVISION SIGNAL RECEIVERS**

**Matter enclosed in heavy brackets [ ] appears in the original patent but forms no part of this reissue specification; matter printed in italics indicates the additions made by reissue.**

This is a continuation-in-part of U.S. patent application Ser. No. 08/773,949 filed Dec. 26, 1996, *now abandoned*.

The invention relates to radio receivers having the capability of receiving digital television (DTV) signals such as digital high-definition television (HDTV) signals, transmitted using quadrature amplitude modulation (QAM) of the principal carrier wave or transmitted using vestigial sideband (VSB) amplitude modulation of the principal carrier wave.

**BACKGROUND OF THE INVENTION**

A Digital Television Standard published Sep. 16, 1995 by the Advanced Television Systems Committee (ATSC) specifies vestigial sideband (VSB) signals for transmitting digital television (DTV) signals in 6-MHz-bandwidth television channels such as those currently used in over-the-air broadcasting of National Television System Committee (NTSC) analog television signals within the United States. The VSB DTV signal is designed so its spectrum is likely to interleave with the spectrum of a co-channel interfering NTSC analog TV signal. This is done by positioning the pilot carrier and the principal amplitude-modulation sideband frequencies of the DTV signal at odd multiples of one-quarter the horizontal scan line rate of the NTSC analog TV signal that fall between the even multiples of one-quarter the horizontal scan line rate of the NTSC analog TV signal, at which even multiples most of the energy of the luminance and chrominance components of a co-channel interfering NTSC analog TV signal will fall. The video carrier of an NTSC analog TV signal is offset 1.25 MHz from the lower limit frequency of the television channel. The carrier of the DTV signal is offset from such video carrier by 59.75 times the horizontal scan line rate of the NTSC analog TV signal, to place the carrier of the DTV signal about 309,877.6 Hz from the lower limit frequency of the television channel. Accordingly, the carrier of the DTV signal is about 2,690,122.4 Hz from the middle frequency of the television channel. The exact symbol rate in the Digital Television Standard is  $(684/286)$  times the 4.5 MHz sound carrier offset from video carrier in an NTSC analog TV signal. The number of symbols per horizontal scan line in an NTSC analog TV signal is 684, and 286 is the factor by which horizontal scan line rate in an NTSC analog TV signal is multiplied to obtain the 4.5 MHz sound carrier offset from video carrier in an NTSC analog TV signal. The symbol rate is  $10.762238 \times 10^6$  symbols per second, which can be contained in a VSB signal extending 5.381119 MHz from DTV signal carrier. That is, the VSB signal can be limited to a band extending 5.690997 MHz from the lower limit frequency of the television channel.

The ATSC standard for digital HDTV signal terrestrial broadcasting in the United States of America is capable of transmitting either of two high-definition television (HDTV) formats with 16:9 aspect ratio. One HDTV format uses 1920 samples per scan line and 1080 active horizontal scan lines per 30 Hz frame with 2:1 field interlace. The other HDTV format uses 1280 luminance samples per scan line and 720 progressively scanned scan lines of television image per 60 Hz frame. The ATSC standard also accommodates the transmission of DTV formats other than HDTV formats,

such as the parallel transmission of four television signals having normal definition in comparison to an NTSC analog television signal.

DTV transmitted by vestigial-sideband (VSB) amplitude modulation (AM) for terrestrial broadcasting in the United States of America comprises a succession of consecutive-in-time data fields each containing 313 consecutive-in-time data segments. There are 832 symbols per data segment. So, with the symbol rate being 10.76 MHz, each data segment is of 77.3 microseconds duration. Each segment of data begins with a line synchronization code group of four symbols having successive values of +S, -S, -S and +S. The value +S is one level below the maximum positive data excursion, and the value -S is one level above the maximum negative data excursion. The initial line of each data field includes a field synchronization code group that codes a training signal for channel-equalization and multipath suppression procedures. The training signal is a 511-sample pseudo-noise sequence (or "PN-sequence") followed by three 63-sample PN sequences. The middle one of these 63-sample PN sequences is transmitted in accordance with a first logic convention in the first line of each odd-numbered data field and in accordance with a second logic convention in the first line of each even-numbered data field, the first and second logic conventions being one's complementary respective to each other. The other two 63-sample PN sequences and the 511-sample PN sequence are transmitted in accordance with the same logic convention in all data fields.

The data within data lines are trellis coded using twelve interleaved trellis codes, each a  $\frac{2}{3}$  rate trellis code with one uncoded bit. The interleaved trellis codes have been subjected to Reed-Solomon forward error-correction coding, which provides for correction of burst errors arising from noise sources such as a nearby unshielded automobile ignition system. The Reed-Solomon coding results are transmitted as 8-level (3 bits/symbol) one-dimensional-constellation symbol coding for over-the-air transmission, which transmissions are made without symbol preceding separate from the trellis coding procedure. The Reed-Solomon coding results are transmitted as 16-level (4 bits/symbol) one-dimensional-constellation symbol coding for cablecast, which transmissions are made without trellis coding. The VSB signals have their natural carrier wave, which would vary in amplitude depending on the percentage of modulation, suppressed.

The natural carrier wave is replaced by a pilot carrier wave of fixed amplitude, which amplitude corresponds to a prescribed percentage of modulation. This pilot carrier wave of fixed amplitude is generated by introducing a direct component shift into the modulating voltage applied to the balanced modulator generating the amplitude-modulation sidebands that are supplied to the filter supplying the VSB signal as its response. If the eight levels of 3-bit symbol coding have normalized values of -7, -5, -3, -1, +1, +3, +5 and +7 in the carrier modulating signal, the pilot carrier has a normalized value of 1.25. The normalized value of +S is +5, and the normalized value of -S is -5.

VSB signals using 8-level symbol coding will initially be used in over-the-air broadcasting within the United States, and VSB signals using 16-level symbol coding can be used in over-the-air narrowcasting systems or in cable-casting systems. However, certain cable-casting is likely to be done using suppressed-carrier quadrature amplitude modulation (QAM) signals instead, rather than using VSB signals. This presents television receiver designers with the challenge of designing receivers that are capable of receiving either type



of transmission and of automatically selecting suitable receiving apparatus for the type of transmission currently being received.

It is assumed that the data format supplied for symbol encoding is the same in transmitters for the VSB DTV signals and in transmitters for the QAM DTV signals. The VSB DTV signals modulate the amplitude of only one phase of the carrier at symbol rate of  $10.76 * 10^6$  symbols per second to provide a real signal unaccompanied by an imaginary signal, which real signal fits within a 6 MHz band because of its VSB nature with carrier near edge of band. Accordingly, the QAM DTV signals, which modulate two orthogonal phases of the carrier to provide a complex signal comprising a real signal and an imaginary signal as components thereof, are designed to have a symbol rate of  $5.38 * 10^6$  symbols per second, which complex signal fits within a 6 MHz band because of its QAM nature with carrier at middle of band.

Processing after symbol decoding is similar in receivers for the VSB DTV signals and in receivers for the QAM DTV signals, assuming the data format supplied for symbol encoding is the same in transmitters for the VSB DTV signals and in transmitters for the QAM DTV signals. The data recovered by symbol decoding are supplied as input signal to a data de-interleaver, and the de-interleaved data are supplied to a Reed-Solomon decoder. Error-corrected data are supplied to a data de-randomizer which regenerates packets of data for a packet decoder. Selected packets are used to reproduce the audio portions of the DTV program, and other selected packets are used to reproduce the video portions of the DTV program.

The zero-intermediate-frequency (ZIF) receivers, which perform amplification and channel selection at baseband, that are used for receiving QAM DTV signals are not well suited for receiving VSB DTV signals. This is because of problems with securing adequate adjacent-channel rejection in a ZIF receiver when the carrier is not at the center frequency of the channel. The tuners can be quite similar in receivers for the VSB DTV signals and in receivers for the QAM DTV signals if the receivers are of superheterodyne types, however. The differences in the receivers reside in the synchronizing procedures used to translate the final IF signal to baseband and in the symbol decoding procedures. A receiver that is capable of receiving either VSB or QAM DTV signals is more economical in design if it does not duplicate the similar tuner circuitry prior to synchronizing to baseband and the similar receiver elements used after the symbol decoding circuitry. The challenge is in optimally constructing the circuitry for synchronizing to baseband and for symbol decoding to accommodate both DTV transmission standards and in arranging for the automatic selection of the appropriate mode of reception for the DTV transmission currently being received.

DTV signal radio receivers are known of a type that uses double-conversion in the tuner followed by synchronous detection, having been used during field testing of the HDTV system used during development the ATSC standard. A frequency synthesizer generates first local oscillations that are heterodyned with the received VSB DTV signals to generate first intermediate frequencies (e. g., with 920 MHz center frequency and 922.69 MHz carrier). A passive LC bandpass filter selects these first intermediate frequencies from their image frequencies for amplification by a first intermediate-frequency amplifier, and the amplified first intermediate frequencies are filtered by a ceramic resonator filter that rejects adjacent channel signals. The first intermediate frequencies are heterodyned with second local oscil-

lations to generate second intermediate frequencies (e. g., with 46.69 MHz carrier); and a filter, which can be of surface-acoustic-wave (SAW) type, selects these second intermediate frequencies from their images and from remnant adjacent channel responses for amplification by a second intermediate-frequency amplifier. The response of the second intermediate-frequency amplifier is supplied to a third mixer to be synchronyded to baseband with third local oscillations of fixed frequency. The third local oscillations of fixed frequency can be supplied in  $0^\circ$  phasing and in  $90^\circ$  phasing, thereby implementing separate in-phase and quadrature-phase synchronous detection procedures during synchronizing. Synchronizing is the procedure of multiplicatively mixing a modulated signal with a wave having a fundamental frequency the same as the carrier of the modulated signal, being locked in frequency and phase thereto, and lowpass filtering the result of the multiplicative mixing to recover the modulating signal at baseband, baseband extending from zero frequency to the highest frequency in the modulating signal.

Separately digitizing in-phase and quadrature-phase synchronous detection results generated in the analog regime presents problems with regard to the synchronous detection results satisfactorily tracking each other after digitizing; quantization noise introduces pronounced phase errors in the complex signal considered as a phasor. These problems can be avoided in DTV signal radio receivers of types performing the in-phase and quadrature-phase synchronous detection procedures in the digital regime. By way of example, the response of the second intermediate-frequency amplifier is digitized at twice the Nyquist rate of the symbol coding. The successive samples are considered to be consecutively numbered in order of their occurrence; and odd samples and even samples are separated from each other to generate respective ones of the in-phase (or real) and quadrature-phase (or imaginary) synchronous detection results. Quadrature-phase (or imaginary) synchronous detection takes place after Hilbert transformation of one set of samples using appropriate finite-impulse-response (FIR) digital filtering, and in-phase (or real) synchronous detection of the other set of samples is done after delaying them for a time equal to the latency time of the Hilbert-transformation filter. The methods of locking the frequency and phase of synchronous detection and the methods of locking the frequency and phase of symbol decoding differ in the VSB and QAM DTV receivers.

These types of known DTV signal radio receiver present some problem in the design of the tuner portion of the receiver because the respective carrier frequencies of VSB DTV signals and of QAM DTV signals are not the same as each other. The carrier frequency of a QAM DTV signal is at the middle of a 6-MHz-wide TV channel, but the carrier frequency of a VSB DTV signal nominally is about 310 kHz above the lower limit frequency of the TV channel. Accordingly, the third local oscillations of fixed frequency, which are used for synchronizing to baseband, must be of different frequency when synchronizing VSB DTV signals to baseband than when synchronizing QAM DTV signals to baseband. The 2.69 MHz difference between the two carrier frequencies is larger than that which is readily accommodated by applying automatic frequency and phase control to the third local oscillator. A third oscillator that can switchably select between two frequency-stabilizing crystals is a practical necessity. In such an arrangement, of course, alterations in the tuner circuitry are involved with arranging for the automatic selection of the appropriate mode of reception for the DTV transmission currently being



received. The radio-frequency switching that must be done reduces the reliability of the tuner. The RF switching and the additional frequency-stabilizing crystal for the third oscillator increase the cost of the tuner appreciably.

Radio receivers for receiving digital television signals, in which receiver the final intermediate-frequency signal is somewhere in the 1–8 MHz frequency range rather than at baseband, are described by C. B. Patel et alii in U.S. Pat. No. 5,479,449 issued Dec. 26, 1995, entitled DIGITAL VSB DETECTOR WITH BANDPASS PHASE TRACKER, AS FOR INCLUSION IN AN HDTV RECEIVER, and included herein by reference. The use of infinite-impulse response filters for developing complex digital carriers in such receivers is described by C. B. Patel et alii in U.S. Pat. No. 5,548,617 issued Aug. 20, 1996, entitled DIGITAL VSB DETECTOR WITH BANDPASS PHASE TRACKER USING RADER FILTERS, AS FOR USE IN AN HDTV RECEIVER, and incorporated herein by reference. The use of finite-impulse response filters for developing complex digital carriers in such receivers is described by C. B. Patel et alii in allowed U.S. Pat. application Ser. No. 08/577,469 filed Dec. 22, 1995, entitled DIGITAL VSB DETECTOR WITH BANDPASS PHASE TRACKER USING NG FILTERS, AS FOR USE IN AN HDTV RECEIVER, and incorporated herein by reference. The design of receivers for both QAM and VSB signals in which QAM/VSB receivers both types of signal are processed through the same intermediate-frequency amplifiers receivers is described by C. B. Patel et alii in U.S. Pat. No. 5,506,636 issued Apr. 9, 1996, entitled HDTV SIGNAL RECEIVER WITH IMAGINARY-SAMPLE-PRESENCE DETECTOR FOR QAM/VSB MODE SELECTION, and incorporated herein by reference. U.S. Pat. No. 5,606,579 issued Feb. 25, 1997 to C. B. Patel et alii and entitled DIGITAL VSB DETECTOR WITH FINAL I-F CARRIER AT SUBMULTIPLE OF SYMBOL RATE, AS FOR HDTV RECEIVER is incorporated herein by reference. U.S. patent application Ser. No. 5,659,372 issued Aug. 19, 1997 by C. B. Patel et alii and entitled DIGITAL TV DETECTOR RESPONDING TO FINAL-IF SIGNAL WITH VESTIGIAL SIDEBAND BELOW FULL SIDEBAND IN FREQUENCY is incorporated herein by reference. Allowed U.S. patent application Ser. No. 08/266,753 filed Jun. 28, 1994 by C. B. Patel et alii and entitled RADIO RECEIVER FOR RECEIVING BOTH VSB AND QAM DIGITAL HDTV

SIGNALS is incorporated herein by reference. U.S. Pat. No. 5,715,012 issued Feb. 3, 1998 to C. B. Patel et alii and entitled RADIO RECEIVERS FOR RECEIVING BOTH VSB AND QAM DIGITAL HDTV SIGNALS is incorporated herein by reference. These patents and patent applications are all assigned to Samsung Electronics Co., Ltd., pursuant to employee invention agreements already in force at the time the inventions disclosed in these patents and patent applications were made.

In the QAM/VSB radio receivers described in U.S. Pat. Nos. 5,506,636 and 5,715,012 the final intermediate-frequency signal is digitized, and synchrodyne procedures to obtain baseband samples are carried out in the digital regime. A tuner within the receiver includes elements for selecting one of channels at different locations in a frequency band used for transmitting DTV signals, a succession of mixers for performing a plural conversion of signal received in the selected channel to a final intermediate-frequency (IF) signal, a respective frequency-selective amplifier between each earlier one of the mixers in that succession and each next one of said mixers in that succession, and a respective local oscillator for supplying

oscillations to each of the mixers. Each of these local oscillators supplies respective oscillations of substantially the same frequency irrespective of whether the selected DTV signal is a QAM signal or is a VSB signal. The final IF signal is digitized, and thereafter there are differences in signal processing depending on whether the selected DTV signal is a QAM signal or is a VSB signal. These differences are accommodated in digital circuitry including QAM synchrodyne circuitry and VSB synchrodyne circuitry. The QAM synchrodyne circuitry generates real and imaginary sample streams of interleaved QAM symbol code, by synchrodyne the digitized final IF signal to baseband providing it is a QAM signal and otherwise processing the digitized final IF signal as if it were a QAM signal to be synchrodyne to baseband. The VSB synchrodyne circuitry generates a real sample stream of interleaved VSB symbol code, by synchrodyne the digitized final IF signal to baseband providing it is a VSB signal and otherwise processing the digitized final IF signal as if it were a VSB signal to be synchrodyne to baseband. A detector determines by sensing the presence of a pilot carrier accompanying a DTV signal of VSB type whether or not the final IF signal is a VSB signal to generate a control signal, which is in a first condition when the final IF signal apparently is not a VSB signal and is in a second condition when the final IF signal apparently is a VSB signal. Responsive to the control signal being in its first condition, the radio receiver is automatically switched to operate in a QAM signal reception mode; and responsive to the control signal being in its second condition, the radio receiver is automatically switched to operate in a VSB signal reception mode.

U.S. Pat. No. 5,506,636, U.S. patent application Ser. No. 08/266,753 and U.S. patent application Ser. No. 08/614,471 were written presuming that the carrier frequency of a VSB DTV signal would be 625 kHz above lowest channel frequency, as earlier proposed by a subcommittee of the Advanced Television Systems Committee. This specification presumes that the carrier frequency of a VSB DTV signal is about 310 kHz above lowest channel frequency, as specified in Annex A of the Digital Television Standard published Sep. 16, 1995.

The carrier of the final IF signal is preferably one prescribed subharmonic of a multiple of the symbol frequencies of both the QAM and VSB signals if the selected DTV signal is a QAM signal and is another prescribed subharmonic of that multiple if the selected DTV signal is a VSB signal. When the carrier frequency of a VSB DTV signal is nominally 310 kHz above lowest channel frequency, these prescribed subharmonics should differ in frequency by substantially 2.69 MHz. Digitizing the final IF signal at this multiple of the symbol frequencies of both the QAM and VSB signals facilitates the generation of the digital carriers used to synchrodyne the QAM and VSB final IF signals to baseband. This multiple of the symbol frequencies of both the QAM and VSB signals should be low enough that digitization is practical, but is preferably above Nyquist rate.

In one type of these QAM/VSB radio receivers the prescribed subharmonic of a multiple of the symbol frequency of the QAM signal is substantially 2.69 MHz higher in frequency than the prescribed subharmonic of a multiple of the symbol frequency of said VSB signal. In a preferred such receiver the frequency of the QAM carrier in the final IF signal is 5.38 MHz, the first subharmonic of 10.76 MHz, and the frequency of the VSB signal carrier in the final IF signal is 2.69 MHz, the third subharmonic of 10.76 MHz.

In another type of these QAM/VSB radio receivers the prescribed subharmonic of a multiple of the symbol fre-



quency of the QAM signal is substantially 2.69 MHz lower in frequency than the prescribed subharmonic of a multiple of the symbol frequency of the VSB signal. The VSB signal having its full sideband below carrier frequency in the final IF signal is sampled with better resolution in such embodiments of the invention. In a preferred such embodiment the frequency of the QAM carrier in the final IF signal is 5.38 MHz, the first subharmonic of 10.76 MHz, and the frequency of the VSB signal carrier in the final IF signal is 8.07 MHz, the third subharmonic of the third harmonic of 10.76 MHz.

When synchrodyning is done in the digital regime, the generation of the digital carriers from read-only memory (ROM) is facilitated by digitizing the final IF signal of both the QAM and VSB signals at a sampling rate that is a multiple of each of their symbol rates. Phase-locking the frequency of the carrier used for synchrodyning to the carrier of the QAM or VSB signals to baseband is thereby facilitated.

Digitizing the QAM and VSB DTV signals at multiples of their symbol rates facilitates symbol synchronization, whether synchrodyning is done in the digital regime as described by Patel et alii or is done in the analog regime. In order to perform symbol synchronization satisfactorily, digital samples must be provided at a sample rate at least twice symbol rate. Supplying digital samples at a rate higher than symbol rate will increase the number of taps in the digital filters used for channel equalization of the baseband DTV signal, since the number of sample times in a ghost of any particular duration will increase in direct ratio to how many times the symbol rate the sampling rate is. Digitizing a QAM or VSB DTV signal at a multiple M times N of its symbol rate, M being a positive number at least one and N being a positive integer at least 2 allows the N:1 decimation of the digital DTV baseband signal before performing channel equalization thereof, so long as the Nyquist criterion for transmitting symbols is satisfied in the decimated digital signal.

#### SUMMARY OF THE INVENTION

In accordance with an aspect of the invention, the digitized DTV signal is decimated before performing channel equalization thereof, which reduces the number of samples in the kernels of the digital filters for performing channel equalization and reduces the cost of the DTV receiver substantially.

Decimation of a digitized VSB signal to a sampling rate less than twice its symbol rate (i. e., particularly to a sampling rate equal to its symbol rate) requires that symbol synchronization take place before the decimation procedure, in order that symbol information not be lost in the decimation procedure. An aspect of the invention is performing symbol synchronization before that decimation procedure. A further aspect of the invention is a method of performing the symbol synchronization by steps of: extracting a signal associated with the required symbol rate and timing from the baseband DTV data, detecting frequency and phase error between the extracted signal and the sampling rate of the analog-to-digital converter in the radio receiver portion of the DTV receiver, applying the detected frequency and phase error to a controlled oscillator as an automatic frequency and phase control signal, and generating from the oscillations of that controlled oscillator the sample clock signal determining the sampling rate of the analog-to-digital converter.

The invention is embodied in a digital television (DTV) receiver including a radio receiver portion for selecting a

channel for reception, for converting DTV signal in the selected channel to intermediate frequencies for filtering and amplification, and for synchrodyning an analog final intermediate-frequency output signal resulting from that filtering and amplification to baseband, thereby to generate a baseband signal. The DTV receiver may be one designed for receiving QAM DTV signal, VSB DTV signal or both types of DTV signal. An analog-to-digital converter (ADC) is included in this radio receiver portion for sampling one of the signals therein and digitizing it so that the baseband signal is supplied from the radio receiver portion as a first stream of digital samples descriptive of the baseband signal. A sample clock generator is connected for supplying a sample clock signal to time the sampling by the ADC so that the first stream of digital samples has a sample rate substantially equal to a prescribed multiple MN times the symbol rate of the DTV signal. MN is the product of a positive number M greater than one and of a positive integer N at least two. A decimator is connected for receiving the first stream of digital samples and generating in response thereto a second stream of digital samples at a sample rate that is one-N<sup>th</sup> that of the first stream of digital samples. The number of taps required in a channel equalizer for performing channel equalization to generate a channel equalizer response is reduced by the N:1 decimation of the second stream of digital samples. The resultant saving in digital multipliers provides a substantial benefit in cost and reliability. A symbol synchronizer is included in the DTV receiver for correcting the symbol phase error in the channel equalizer response; and a symbol decoder is included in the DTV receiver for decoding symbols in the channel equalizer response, as corrected for symbol phase error, to recover groups of bits corresponding to decoded symbols.

In a preferred embodiment of this type of DTV receiver the sample clock generator comprises an oscillator for supplying oscillations at a frequency controlled by an automatic frequency and phase control signal, and circuitry for generating the sample clock signal at a rate responsive to the oscillation frequency; and the symbol synchronizer comprises an FIR filter for selecting only signal of a prescribed subharmonic of symbol rate from the first stream of digital samples, and an automatic frequency and phase control detector for detecting frequency and phase error between the sampling rate of the ADC and the prescribed subharmonic of the symbol rate as selected in the response of the FIR filter.

In another aspect of invention, a controlled oscillator used to time samples supplied from a sample clock generator is synchronized with the symbols in a baseband DTV signal, by developing an automatic-frequency-and-phase-control (AFPC) signal for the controlled oscillator from the symbol code despite the baud frequency being absent therefrom. This is done by subjecting the baseband-DTV-signal symbol code to a narrow bandpass finite-impulse-response (FIR) digital filter timed by the samples supplied from the sample clock generator. A non-linear procedure that will generate second harmonics, such as squaring, is applied to the narrow bandpass FIR digital filter response to regenerate the baud frequency accompanied by a noise spectrum. An automatic-frequency-and-phase-control detector detects the error of the oscillation frequency of the controlled oscillator respective to the regenerated baud frequency and provides a lowpass filtered response to the error signal applied to the controlled oscillator as its AFPC signal.

#### BRIEF DESCRIPTION OF THE DRAWING

FIG. 1 is a block schematic diagram of initial portions of a digital television (DTV) receiver of a type that can embody



the invention, including circuitry for detecting symbols in a DTV signal of QAM type, circuitry for detecting symbols in a DTV signal of VSB type, and an amplitude-and-group-delay equalizer for symbols selected from the circuitry for detecting symbols in a DTV signal of QAM type and the circuitry for detecting symbols in a DTV signal of VSB type.

FIG. 2 is a block schematic diagram of the remaining portions of DTV receiver of a type that can embody the invention, which are not shown in FIG. 1.

FIG. 3 is a detailed block schematic diagram of digital circuitry for synchrodyning QAM DTV signals to baseband, of digital circuitry for synchrodyning VSB DTV signals to baseband, and of circuitry associated with applying input signals to that QAM and VSB synchrodyning circuitry, as used in a DTV signal radio receiver of the type shown in FIGS. 1 and 2.

FIG. 4 is a detailed block schematic diagram of circuitry for providing the sample clock generator, the look-up table read-only memories (ROMs) for supplying digital descriptions of the complex carriers used for synchrodyning digital QAM signals and digital VSB signals at final IF signal frequencies each to baseband, and the address generators for those ROMs, which circuitry is included in certain DTV signal radio receivers of the type that can embody the invention.

FIG. 5 is a detailed block schematic diagram of circuitry similar to that of FIG. 4, modified so that the address generator for the ROMs supplying digital descriptions of the complex carrier used for synchrodyning digital QAM signals to baseband and the ROMs supplying digital descriptions of the complex carrier used for synchrodyning digital VSB signals to baseband share an address counter in common.

FIG. 6 is a detailed block schematic diagram of circuitry for converting digital samples to complex form in DTV signal radio receivers embodying the invention, which circuitry includes a Hilbert transformation filter for generating imaginary samples from real samples, and which includes delay compensation for the real samples equivalent to the latency of that filter.

FIG. 7 is a detailed block schematic diagram of a pair of all-pass digital filters of infinite-impulse-response (IIR) type designed based on Jacobian elliptic functions and exhibiting a constant  $\pi/2$  difference in phase response for the digitized bandpass signals, as are known in the prior art and can be employed for converting digital samples to complex form in DTV signal radio receivers embodying the invention.

FIGS. 8 and 9 are block schematic diagrams of changes that can be made the filter circuitry of FIG. 7 to remove redundant delay.

FIG. 10 is a detailed block schematic diagram of a pair of all-pass digital filters of finite-impulse-response (FIR) type exhibiting a constant  $\pi/2$  difference in phase response for the digitized bandpass signals, as can be employed for converting digital samples to complex form in DTV signal radio receivers embodying the invention.

FIG. 11 is a graph of the constraints on the final intermediate frequencies to which the carriers of a QAM DTV signal and a VSB DTV signal can be frequency translated, when the carrier of a VSB DTV signal is lower in frequency than the carrier of a QAM DTV signal in the final IF signal, so the full sideband of the VSB DTV signal is higher in frequency than its vestigial sideband in the final IF signal, and when the sample rate during digitization is constrained to  $21.52 * 10^6$  samples per second.

FIG. 12 is a graph of the constraints on the final intermediate frequencies to which the carriers of a QAM DTV

signal and a VSB DTV signal can be frequency translated, when the carrier of a VSB DTV signal is higher in frequency than the carrier of a QAM DTV signal in the final IF signal, so the full sideband of the VSB DTV signal is lower in frequency than its vestigial sideband in the final IF signal, and when the sample rate during digitization is constrained to  $21.52 * 10^6$  samples per second.

FIG. 13 is a block schematic diagram of portions of another type of DTV receiver that can embody the invention, which portions are not shown in FIG. 1 and differ from those of FIG. 2 in the way data sync recovery is provided for.

In the block schematic diagrams, clock or control signal connections are shown in dashed line, where it is desired to distinguish them from connections for the signals being controlled. To avoid overcomplexity in the block schematic diagrams, some shimming delays necessary in the digital circuitry are omitted, where a need for such shimming delay is normally taken into account by a circuit or system designer.

#### DETAILED DESCRIPTION

FIG. 1 shows a tuner 5 comprising elements 11–21 that selects one of channels at different locations in the frequency band for DTV signals and performs plural frequency conversion of the selected channel to a final intermediate-frequency signal in a final intermediate-frequency band. FIG. 1 shows a broadcast receiving antenna 6 arranged to capture the DTV signals for the tuner 5. Alternatively, the tuner 5 can be connected for receiving DTV signals from a narrowcast receiving antenna or from a cablecast transmission system.

More particularly, in the tuner 5 shown in FIG. 1, a channel selector 10 designed for operation by a human being determines the frequency of first local oscillations that a frequency synthesizer 11, which functions as a first local oscillator, furnishes to a first mixer 12 for heterodyning with DTV signals received from the antenna 6 or an alternative source of such signals. The first mixer 12 upconverts the received signals in the selected channel to prescribed first intermediate frequencies (e.g., with 922.69 MHz carrier), and an LC filter 13 is used to reject the unwanted image frequencies that accompany the upconversion result supplied from the first mixer 12. The first intermediate-frequency signal resulting from the upconversion, supplied as the filter 13 response, is applied as the input signal to a first intermediate-frequency amplifier 14, which supplies amplified first IF signal for driving a first surface-acoustic-wave (SAW) filter 15 or a filter constructed from ceramic resonators. The upconversion to the rather high-frequency first intermediate frequencies facilitates the SAW filter 15 having a large number of poles and zeroes. The SAW filter 15 passband is designed to pass those frequencies obtained by converting frequencies extending from the lower limit frequency of the television channel up to about 300 kHz of the upper limit frequency of the television channel. Preferably the SAW filter 15 is designed to reject the frequency-modulated sound carrier of any co-channel interfering NTSC analog TV signal. Second local oscillations from a second local oscillator 16 are supplied to a second mixer 17 for heterodyning with the response of the first SAW filter 15, to generate second intermediate frequencies (e.g., with 46.69 MHz carrier). A second SAW filter 18 is used for rejecting the unwanted image frequencies that accompany the down-conversion result supplied from the second mixer 17. During the period of transition from NTSC television transmissions to digital television transmissions, the second SAW filter 18



will usually include traps for sound and video carriers of adjacent-channel NTSC television transmissions. The second IF signal supplied as the response of the second SAW filter 18 is applied as input signal to a second intermediate-frequency amplifier 19, which generates an amplified second IF signal response to its input signal. Oscillations from a third local oscillator 20 are heterodyned with the amplified second IF signal response in a third mixer 21. The plural-conversion tuner 5 as thus far described resembles those previously proposed by others, except that the frequency of the oscillations from the third local oscillator 20 is chosen such that the third mixer 21 supplies a third intermediate-frequency signal response.

This third IF signal response is the final intermediate-frequency output signal of the tuner 5, which is supplied to a subsequent analog-to-digital converter (ADC) 22 for digitization. This final IF signal occupies a frequency band 6 MHz wide, the lowest frequency of which is above zero frequency. The lowpass analog filtering of the third mixer 21 response done in the ADC 22 as a preliminary step in analog-to-digital conversion suppresses the image frequencies of the third intermediate frequencies, and the second SAW filter 18 has already restricted the bandwidth of the third intermediate-frequency signals presented to the ADC 22 to be digitized; so the ADC 22 functions as a bandpass analog-to-digital converter. The sampling of the lowpass analog filter response in the ADC 22 as the next step in analog-to-digital conversion is done responsive to pulses in a first clock signal supplied from a sample clock generator 23.

The sample clock generator 23 preferably includes a crystal oscillator capable of frequency control over a relatively narrow range for generating cissoidal oscillations at a multiple of symbol rate. A symmetrical clipper or limiter generates a square-wave response to these cissoidal oscillations to generate the first clock signal, which the ADC 22 uses to time the sampling of the final IF signal after filtering to limit bandwidth. The frequency of the cissoidal oscillations generated by the crystal oscillator in the sample clock generator 23 can be determined by an automatic frequency and phase control (AFPC) signal developed in response to components of the received DTV signal that are subharmonics of symbol or baud rate, for example, as will be described in detail further on in this specification. The pulses in the first clock signal recur at a  $21.52 * 10^6$  samples-per-second rate, twice the  $10.76 * 10^6$  symbols-per-second symbol rate for VSB signals and four times the  $5.38 * 10^6$  symbols-per-second symbol rate for QAM signals. At this  $21.52 * 10^6$  samples-per-second clock rate, placing the final IF signal so its mid-frequency is above 5.38 MHz reduces the number of  $21.52 * 10^6$  samples-per-second rate samples in the QAM carrier to less than four, which undesirably reduces the uniformity of synchrodyne response supplied for symbol decoding.

The ADC 22 supplies real digital responses of 10-bit or so resolution to the samples of the band-limited final IF signal, which digital responses are converted to complex digital samples by the circuitry 24. Various ways to construct the circuitry 24 are known. The imaginary digital samples at the QAM carrier frequency may be generated using a Hilbert transformation filter, for example, as described in U.S. Pat. No. 5,479,449. If the frequency band 6 MHz wide occupied by the final IF signal has a lowest frequency of at least a megahertz or so, it is possible to keep the number of taps in the Hilbert transformation filter reasonably small and thus keep the latency time of the filter reasonably short. Other ways to construct the circuitry 24 described in U.S. Pat. No.

5,548,617 rely on the differential delay between the responses of two infinite-impulse-response (IIR) filters being substantially equal to 90-degree phase shift at all frequencies. Still other ways to construct the circuitry 24 rely on the differential delay between the responses of two finite-impulse-response (FIR) filters being substantially equal to 90° phase shift at all frequencies.

In the FIG. 1 receiver circuitry the complex digital samples of final IF signal supplied from the circuitry 24 are applied to circuitry 25 for synchrodyning the QAM signal to baseband. The circuitry 25 supplies a stream of real samples and a stream of imaginary samples in parallel to a symbol de-interleaver 26, to provide baseband description of the QAM modulating signal. The QAM synchrodyning circuitry 25 receives complex-number digital descriptions of two phasings of the QAM carrier, as translated to final intermediate frequency and in quadrature relationship with each other, from read-only memory 27. ROM 27, which comprises sine and cosine look-up tables for QAM carrier frequency, is addressed by a first address generator 28. The first address generator 28 includes an address counter (not explicitly shown in FIG. 1) for counting the recurrent clock pulses in the first clock signal generated by the sample clock generator 23. The resulting address count is augmented by a symbol phase correction term generated by QAM de-rotator correction circuitry, thereby to generate the addressing for the ROM 27. The QAM synchrodyne circuitry 25, the first address generator 28, and the operation of each will be explained in greater detail further on in this specification.

In the FIG. 1 receiver circuitry the complex digital samples of final IF signal supplied from the circuitry 24 are also applied to circuitry 30 for synchrodyning the VSB signal to baseband. The VSB synchrodyning circuitry 30 supplies streams of samples descriptive of real and imaginary components of the vestigial-sideband modulating signal as synchrodynd to baseband. The VSB synchrodyning circuitry 30 receives complex-number digital descriptions of two phasings of the VSB carrier, as translated to final intermediate frequency and in quadrature relationship with each other, from read-only memory 31. ROM 31, which comprises sine and cosine look-up tables for VSB carrier frequency, is addressed by a second address generator 32. The second address generator 32 includes an address counter (not explicitly shown in FIG. 1) for counting the recurrent clock pulses in the first clock signal generated by the sample clock generator 23. In preferred embodiments of the invention this address counter is the same address counter used by the first address generator 28. The resulting address count is augmented by a symbol phase correction term generated by symbol phase correction circuitry, thereby to generate the addressing for the ROM 31. The VSB synchrodyne circuitry 30, the second address generator 32, and the operation of each will be explained in greater detail further on in this specification.

A digital-signal multiplexer 33 functions as a synchrodyne result selector that selects as its response either a first or a second one of two complex digital input signals supplied thereto, the selection being controlled by a detector 34 for detecting the zero-frequency term of the real samples from the VSB synchrodyne circuitry 30. When the zero-frequency term has essentially zero energy, indicating the absence of pilot carrier signal that accompanies a VSB signal, the multiplexer 33 selectively responds to its first complex digital input signal, which is the de-interleaved QAM synchrodyne-to-baseband result supplied from the de-interleaver 26. When the zero-frequency term has substantial energy, indicating the presence of pilot carrier signal



that accompanies a VSB signal, the multiplexer **33** selectively responds to its second complex digital input signal comprising the real and imaginary components of the baseband response of the VSB synchronyne circuitry **30**.

The response of the synchronyne result selection multiplexer **33** is resampled in response to a second clock signal from the sample clock generator **23** in 2:1 decimation circuitry **35**, to reduce the sample rate of complex baseband response down to the 10.76 MHz VSB symbol rate, which is twice the 5.38 MHz QAM symbol rate. That is, the stream of real digital samples and the stream of imaginary digital samples are both decimated 2:1. The 2:1 decimation of the multiplexer **33** response prior to its application as input signal to an amplitude-and-group-delay equalizer **36** reduces the hardware requirements on the equalizer. Alternatively, rather than 2:1 decimation circuitry **35** being used after the synchronyne result selection multiplexer **33**, the baseband responses of the QAM synchronyne circuitry **25** and of the VSB synchronyne circuitry **30** can each be resampled in response to a second clock signal from the sample clock generator **23** to carry out 2:1 decimation before the synchronyne result selection multiplexer **33**.

FIG. 2 shows the amplitude-and-group-delay equalizer **36**, which converts a baseband response with an amplitude-and-phase-versus-frequency characteristic that tends to cause inter-symbol error to an improved amplitude-versus-frequency characteristic that minimizes the likelihood of inter-symbol error. The amplitude-and-group-delay equalizer **36** can be a suitable one of the monolithic ICs available off-the-shelf for use in equalizers. Such an IC includes a multiple-tap digital filter used for amplitude-and-group-delay equalization, the tap weights of which filter are programmable; circuitry for selectively accumulating a training signal and temporarily storing the accumulation results; and a microcomputer for calculating updated tap weights of the multiple-tap digital filter used for amplitude-and-group-delay equalization.

When the DTV signal being received is of VSB type, training signal is contained in the initial data segment of each data field. The microcomputer is programmed for comparing the temporarily stored accumulation results with the ideal training signal as known a priori and establishing a set of weighting coefficients for the multiple-tap digital filter used for amplitude-and-group-delay equalization. Thereafter, better to compensate for changing multipath conditions such as caused by overflying aircraft, weighting coefficients may be updated on a more frequent basis using decision-directed equalization techniques, such as those disclosed by the inventors and Dr. Jian Yang in U.S. Pat. No. 5,648,987 issued Jul. 15, 1997 and entitled RAPID-UPDATE ADAPTIVE CHANNEL-EQUALIZATION FILTERING FOR DIGITAL RADIO RECEIVERS, SUCH AS HDTV RECEIVERS. When the DTV signal being received is of QAM type, unless provision is made for inclusion of a training signal, decision-directed equalization techniques have to be used if equalization is to be effected. The establishment of a satisfactory set of initial weighting coefficients takes more time than when a training signal is available. If the DTV receiver remains in place during periods of operation and non-operation, the time required to establish a satisfactory set of initial weighting coefficients when a DTV channel is returned can be reduced by if the last determined set of weighting coefficients for that DTV channel have been stored in memory.

Both the real and the imaginary responses of the amplitude-and-group-delay equalizer **36** are applied as input signal to two-dimensional symbol decoding circuitry **37**,

which performs the symbol decoding that recovers symbol-decoded digital data streams from a QAM-origin signal. Presuming that the QAM-origin signal contains data synchronizing information corresponding to the data synchronizing information in the VSB-origin signal, one of these symbol-decoded digital data streams is a trellis-decoded digital data stream supplied for further data processing, and another of these symbol-decoded digital data streams is generated by data-slicing without subsequent trellis decoding. Data synchronizing information is extracted from this latter symbol-decoded digital data stream and is employed for controlling the processing of the QAM-origin data by the receiver.

The real response of the amplitude-and-group-delay equalizer **36** is applied as input signal to one-dimensional symbol decoding circuitry **38**, which performs the symbol decoding that recovers symbol-decoded digital data streams from a VSB-origin signal. A VSB signal in accordance with the ATSC standard uses trellis coding of the data in all data segments except the initial data segment of each data field, which contains field synchronization code groups that are not subject to trellis coding. As in the prior art, one of the symbol-decoded digital data streams that the symbol decoding circuitry **38** supplies, which is to be employed for further data processing is generated by trellis-decoding the results of data-slicing procedures, and optimal Viterbi decoding techniques are customarily employed. As in the prior art, another of the symbol-decoded digital data streams that the symbol decoding circuitry **38** supplies, which is to be employed for controlling data handling by the receiver responsive to synchronization information contained in the received VSB-origin signal, is generated using data-slicing procedures without subsequent trellis decoding. The symbol decoding circuitry **38** preferably departs from usual prior-art practice by utilizing data-slicing techniques similar to those described in allowed U.S. patent application Ser. No. 08/746,520 filed Nov. 12, 1996, entitled DIGITAL TELEVISION RECEIVER WITH ADAPTIVE FILTER CIRCUITRY FOR SUPPRESSING NTSC CO-CHANNEL INTERFERENCE, and incorporated herein by reference.

A digital-signal multiplexer **39** functions as a data source selector that selects as its response either a first or a second one of two digital input signals thereto, the selection being controlled by the detector **34** for detecting the zero-frequency term of the real samples from the VSB synchronyne circuitry **30**. When the zero-frequency term has essentially zero energy, indicating the absence of pilot carrier signal that accompanies a VSB signal, the multiplexer **39** selectively responds to its first digital input signal, selecting as the source of its digital data output the two-dimensional symbol decoding circuitry **37** that decodes the symbols received in the QAM signal. When the zero-frequency term has substantial energy, indicating the presence of pilot carrier signal that accompanies a VSB signal, the multiplexer **39** selectively responds to its second digital input signal, selecting as the source of its digital data output the one-dimensional symbol decoding circuitry **38** that decodes the symbols received in the VSB signal.

The data selected by the data source selection multiplexer **39** are applied to a data de-interleaver **40** as its input signal, and the de-interleaved data supplied from the data de-interleaver **40** are applied to a Reed-Solomon decoder **41**. The data de-interleaver **40** is often constructed within its own monolithic IC and is made so as to respond to the output indications from the pilot carrier presence detector **34** to select the de-interleaving algorithm suitable to the DTV signal currently being received, whether it be of QAM or



VSB type; this is a mere matter of design. The Reed-Solomon decoder **41** is often constructed within its own monolithic IC and is made so as to respond to the output indications from the pilot carrier presence detector **34** to select the appropriate Reed-Solomon decoding algorithm for the DTV signal currently being received, whether it be of QAM or VSB type; this also is a mere matter of design. Error-corrected data are supplied from the Reed-Solomon decoder **41** to a data de-randomizer **42**, which responds to these data for regenerating a signal randomized prior to transmission to the DTV receiver, which regenerated signal comprises packets of data for a packet sorter **43**. The data de-randomizer **42** is made so as to respond to the output indications from the pilot carrier presence detector **34** to select the appropriate data de-randomizing algorithm for the DTV signal currently being received, whether it be of QAM or VSB type; the selection of these algorithms is a mere matter of design, too.

First data synchronization recovery circuitry **44** recovers the data synchronizing information included in the data output of the two-dimensional symbol decoding circuitry decoder **37**, and second data synchronization recovery circuitry **45** recovers the data synchronizing information included in the data output of the one-dimensional symbol decoding circuitry **38**. A data sync selector **46** selects between the data synchronizing information as provided by the data sync recovery circuitry **44** and as provided by the data sync recovery circuitry **45**, the selection being controlled by the detector **34** for detecting the zero-frequency term of the real samples from the VSB synchrodyne circuitry **30**. When the zero-frequency term has essentially zero energy, indicating the absence of pilot carrier signal that accompanies a VSB signal, the data sync selector **46** selects for its output signals the data synchronizing information provided by the data sync recovery circuitry **44**. When the zero-frequency term has substantial energy, indicating the presence of pilot carrier signal that accompanies a VSB signal, the data sync selector **46** selects for its output signals the data synchronizing information provided by the data sync recovery circuitry **45**.

When the data sync selector **46** selects for its output signals the data synchronizing information provided by the data sync recovery circuitry **45**, the initial data lines of each data field are selected for application to the amplitude-and-group-delay equalizer **36** as training signal. The occurrences of the 511-sample PN sequence can be detected within the data sync recovery circuitry **45** to provide data-field indexing information to the data sync selector **46**. Alternatively, the occurrences of two or three consecutive 63-sample PN sequences are detected within the data sync recovery circuitry **45** to provide data-field indexing information to the data sync selector **46**.

The standards for a QAM DTV signal are not as well defined at this time as the standards for a VSB DTV signal. A 32-state QAM signal provides sufficient capacity for a single HDTV signal, without having to resort to compression techniques outside MPEG standards, but commonly some compression techniques outside MPEG standards are employed to encode the single HDTV signal as a 16-state QAM signal. Typically, the occurrence of a prescribed 24-bit word is detected by the data sync recovery circuitry **44** to generate data-field indexing information for application to the data sync selector **46**. A multiplexer within the data sync selector **46** selects between the data-field indexing information respectively supplied by the data sync recovery circuitry **44** and the data sync recovery circuitry **45**; the data-field indexing information thus selected is supplied to the data

de-interleaver **40**, the Reed-Solomon decoder **41**, and the data de-randomizer **42**. At the time this specification is written there is no training signal included in the QAM DTV signal. Accordingly, in response to the VSB pilot carrier presence detector **34** indicating the absence of pilot carrier, the amplitude-and-group-delay equalizer **36** is conditioned to use decision-directed equalization techniques that do not depend on a training signal; and the VSB training signal selected by the data sync recovery circuitry **45** is wired through the data sync selector **46** without need for a multiplexer. Also, there is no data line synchronization signal for QAM DTV transmission, at least not a data line synchronization signal selected as a standard. The data sync recovery circuitry **44** includes counting circuitry for counting the samples in each data field to generate intra-data-field synchronizing information. This intra-data-field synchronizing information and the intra-data-field synchronizing information (such as data line count) generated by the data sync recovery circuitry **45** are selected between by appropriate multiplexers in the data sync selector **46**, for application to the data de-interleaver **40**, the Reed-Solomon decoder **41**, and the data de-randomizer **42**, as required.

FIG. 2 of the U.S. Pat. No. 5,506,636 drawing shows a variant of the symbol decoding circuitry **37** in which variant the trellis decoding results and the symbol-decoded data synchronization are time-division-multiplexed onto a single bus for application to the data source selector **39** and to the first data sync recovery circuitry **44**. FIG. 2 of the U.S. Pat. No. 5,506,636 drawing also shows a variant of the symbol decoding circuitry **38** in which variant the trellis decoding results and the symbol-decoded data synchronization are time-division-multiplexed onto a single bus for application to the data source selector **39** and to the second data sync recovery circuitry **45**. As in the embodiment shown in FIG. 2 of the drawing for this specification, the first data sync recovery circuitry **44** and the second data sync recovery circuitry **45** perform data synchronization by match filtering of symbol decoding results. If the initial data segment of each data field per the ATSC specification for VSB broadcasting is simply recoded using the symbol codes for QAM cablecasting, data synchronization can be performed after symbol decoding the QAM signal by looking for symbol-decoded PN sequence information. Data synchronization is shown in FIG. 2 as being performed after symbol decoding the VSB signal; this is done by looking for symbol-decoded PN sequence information. If the initial data segment of each data field per the ATSC specification for VSB broadcasting is simply recoded using the symbol codes for QAM cablecasting, then, in a modification of the FIG. 2 DTV receiver circuitry, data synchronization can be performed after symbol decoding using the same apparatus during both VSB signal reception and during QAM signal reception.

Data synchronization during VSB signal reception can alternatively be accomplished before symbol decoding, using match filters that generate spike responses to the PN sequences in the decimator **35** response or in the equalizer **36** response. The filters that generate spike responses to synchronization code sequences are preferably supplied input signals at the decimated sample rate, rather than input signals being the undecimated responses of synchrodyne circuits **29** and **30**, in order to reduce the number of samples in the respective kernel of each match filter. The filters that generate spike responses to synchronization code sequences are preferably connected to receive the equalizer **36** response to reduce the effect that multi-path reception has on data synchronization.

FIG. 13 shows a modification of the FIG. 2 portions of the DTV receiver in which the data sync recovery circuitry **45**



for recovering data synchronization from symbol decoding results is replaced by second data sync recovery circuitry **450** employing match filters for recovering data synchronization from the equalizer **36** response. The initial data segment in each data field can be detected using a match filter for one of the PN sequences in those initial data segments, a match filter for the 511-sample PN sequence being preferred because of the higher energy of its auto-correlation response providing better selectivity than the auto-correlation response of a match filter for the 63-sample PN sequence. The match filter for the PN sequence can serve dual purpose, being used to identify the positions of ghosts during the calculation of filter coefficients for the equalizer **36**. U.S. Pat. No. 5,594,506 issued Jan. 14, 1997 to J. Yang and entitled LINE SYNC DETECTOR FOR DIGITAL TELEVISION RECEIVER describes a preferred form for detecting the 4-symbol segment sync code group located at the beginning of each data segment.

The packet sorter **43** sorts packets of data for different applications, responsive to header codes in the successive packets of data. Packets of data descriptive of the audio portions of the DTV program are applied by the packet sorter **43** to a digital sound decoder **47**. The digital sound decoder **47** supplies left-channel and right-channel stereophonic sound signals to a plural-channel audio amplifier **48** that drives the plurality of loudspeakers **49, 50**. Packets of data descriptive of the video portions of the DTV program are applied by the packet sorter **43** to an MPEG decoder **51**, such as of MPEG-2 type. The MPEG decoder **51** supplies horizontal (H) and vertical (V) synchronizing signals to kinescope deflection circuitry **52** that provides for the raster scanning of the viewing screen of a kinescope **53**. The MPEG decoder **51** also supplies signals to the kinescope driver amplifiers **54** for applying amplified red (R), green (G) and blue (B) drive signals to the kinescope **53**. In variations of the DTV receiver shown in FIGS. **1** and **2**, a different display device may be used instead of or in addition to the kinescope **53**, and the sound recovery system may be different, consisting of but a single audio channel, or being more elaborate than a simple stereophonic reproduction system.

Referring back to FIG. **1**, in order that ROMs **27** and **31** can be used to generate digital complex-number descriptions of the QAM and VSB signal carriers as translated to respective final intermediate frequencies, in response to addressing generated by counting first clock signals, provision must be made to lock the one those final intermediate frequencies that is the carrier of the currently received DTV signal to a submultiple of a multiple of the first clock signal frequency. That is, those final intermediate frequencies must be in whole number ratios with the first clock signal frequency. An automatic phase and frequency control (AFPC) signal is developed in the digital circuitry following the analog-to-digital converter **22** and is used to control the frequency and phase of one of the local oscillators **11, 16** and **20** in the tuner. Preferably, in order that alignment of the second IF signal with the second SAW filter **18** can be readily assured, a fixed-frequency third local oscillator **20** is used, and the frequency and phase of the oscillations the second local oscillator **16** provides are controlled. The second SAW filter **18** usually includes traps for adjacent-channel signal components, in which case proper alignment of the second IF signal between these traps is important for preserving its integrity. The symbol clocking is made to exhibit a high degree of frequency stability. By locking the carrier of the final intermediate-frequency (IF) signal in frequency and phase to a submultiple of a multiple of the

symbol clock frequency, the AFPC for correcting frequency and phase error in the carrier as translated to a final intermediate frequency invariably operates to correct dynamic symbol phase error as well, eliminating the need for a separate phase tracker to correct dynamic symbol phase error.

FIG. **1** denominates a digital multiplexer **55** as "AFPC selector". The multiplexer **55** responds to the pilot carrier presence detector **34** indicating that a pilot carrier is included in the currently received DTV signal for selecting, as an input signal for a digital lowpass filter **56**, the imaginary output signal of the baseband response of the VSB synchrodyne circuitry **30**. The response of lowpass filter **56** is a digital AFPC signal supplied as input signal to a digital-to-analog converter (DAC) **57**. The output signal from the DAC **57** is an analog AFPC signal, which is subjected to further lowpass filtering in an analog lowpass filter **58**, the response of which filter **58** is used for controlling the frequency and phase of the oscillations that the second local oscillator **16** provides. Analog lowpass filtering is advantageous to use for realizing long-time-constant lowpass filtering because there is reduced need for active devices as compared to digital lowpass filtering. Since the shunt capacitor of a resistance-capacitance lowpass filter section can be at the interface between a tuner **5** IC and the IC containing the digital synchrodyne circuitry, the analog lowpass filtering can be done without any cost in IC pin-out. Doing some digital lowpass filtering is advantageous, however, since the digital lowpass filter response can be subsampled to the DAC **57**; the reduced speed requirements on the digital-to-analog conversion reduces the cost of the DAC **57**.

The multiplexer **55** responds to the pilot carrier presence detector **34** indicating that a pilot carrier is not included in the currently received DTV signal for selecting the input signal for the digital lowpass filter **56** from the circuitry for processing a QAM DTV signal. FIG. **1** shows the product output signal of a digital multiplier **29** being provided for such selection. The digital multiplier **29** multiplies together the real and imaginary output signals of the QAM synchrodyne circuitry **25** to generate an unfiltered digital AFPC signal. The generation of the unfiltered digital AFPC signal is very similar to that in the well-known Costas loop. In the Costas loop the AFPC signal is used to control the frequency and phase of the digital local oscillations used for synchrodyne received signals to baseband. The FIG. **1** arrangement departs from this procedure, the AFPC signal being used instead to control the frequency and phase of the analog oscillations generated by the second local oscillator **16**. This regulates the frequency and phase of the final IF signal supplied to the ADC **22** for digitization and for subsequent synchrodyne to baseband in the digital regime. As is the case with the Costas loop, the multiplier **29** is preferably of especial design in which the real signal is converted to a ternary signal for multiplying the imaginary signal; this simplifies the digital multiplier and improves the pull-in characteristics of the AFPC loop.

The second intermediate-frequency amplifier **19**, the third local oscillator **20** (except for its outboard crystal and other frequency selection components), and the third mixer **21** are advantageously constructed within the confines of a monolithic IC; since the output signal of the third mixer **21** is at a different frequency than the input signal to the second IF amplifier **19**, the second IF amplifier **19** can have high gain without attendant high risk of unwanted regeneration. The first IF amplifier **14**, the second local oscillator **16** (except for its outboard crystal and other frequency selection



components) and the second mixer 17 can be constructed within the confines of the same IC, or they may be constructed otherwise—e.g., within other integrated circuitry. The analog-to-digital converter (ADC), as customary, will be a flash type with at least ten bits resolution and is preferably constructed within the confines of a different monolithic IC than the IF amplifiers. The analog lowpass filter at the input of the converter isolates the sampling circuitry, with its associated switching transients, from the IC in which the high-gain second IF amplifier 19 is located (and in some cases, in which the first IF amplifier 14 is also located). This reduces the likelihood of unwanted regeneration in the tuner 5. Considerable die area is required for the resistance ladder used in establishing the quantizing levels and for the large number of analog comparators involved in an ADC of flash type, so often such an ADC does not share a monolithic IC with other elements anyway.

The elements 23 - 35, 55 and 56 are advantageously constructed within the confines of a single monolithic integrated circuit (IC), to reduce the number of wiring connections made outside the confines of a monolithic IC. The synchrodyning circuits 25 and 30 both receive input signals from the real-to-complex sample converter 24, and portions of their respective address generators 28 and 32 can usually be provided by circuitry shared in common. It is advantageous that this single monolithic IC and the circuitry that follows this IC include all the circuitry for automatically selecting the appropriate mode of reception for the DTV transmission currently being received. Such practice avoids the need for operating the third local oscillator at two markedly different frequencies, depending on whether a DTV signal is of QAM type or is of VSB type. Operation of the third local oscillator at two markedly different frequencies is normally associated with the use of two different crystals for setting those frequencies. Operating the third local oscillator at essentially the same frequency, no matter whether the DTV signal is of QAM type or is of VSB type, saves the cost of the extra crystal and of the electronic switching circuitry involved with the use of two crystals. Furthermore, the reliability of the tuner 5 is improved by the reduction in the amount of circuitry located outside the monolithic integrated circuitry.

If the ADC is not constructed within an IC, all or substantially all its own, it is advantageous to include it in the IC that contains the circuitry for synchrodyning VSB DTV signals and the circuitry for synchrodyning QAM DTV signals to baseband, since the signals for clocking the sampling of the final IF signal by the ADC are to be generated within that IC. Furthermore, the analog lowpass filter at the input of the converter still isolates the sampling circuitry, with its associated switching transients, from the IC(s) in which high-gain IF amplification is done.

FIG. 3 shows in more detail the digital circuitry 25 for synchrodyning QAM DTV signals to baseband. The QAM synchrodyning circuitry 25 includes the QAM in-phase synchronous detector 250 for generating the real portion of its output signal and the QAM quadrature-phase synchronous detector 255 for generating the imaginary portion of its output signal. The QAM synchrodyning circuitry 25 includes a digital adder 256, a digital subtractor 257, and respective first, second, third and fourth digital multipliers 251-254. The QAM in-phase synchronous detector 250 includes the multiplier 251, the multiplier 252, and the adder 256 for adding the product output signals of the multipliers 251 and 252 to generate the real portion of the output signal of the QAM synchrodyning circuitry 25. The first digital multiplier 251 multiplies the real digital samples of final IF

signal supplied from the real-to-complex-sample converter 24 by digital samples descriptive of the cosine of the QAM carrier that are read from the look-up table 271 in the ROM 27, and the second digital multiplier 252 multiplies the imaginary digital samples of final IF signal supplied from the real-to-complex-sample converter 24 by digital samples descriptive of the sine of the QAM carrier that are read from the look-up table 272 in the ROM 27. The QAM quadrature-phase synchronous detector 255 includes the multiplier 253, the multiplier 254, and the subtractor 257 for subtracting the product output signal of the multiplier 253 from the product output signal of the multiplier 254 to generate the imaginary portion of the output signal of the QAM synchrodyning circuitry 25. The third digital multiplier 253 multiplies the real digital samples of final IF signal supplied from the real-to-complex-sample converter 24 by digital samples descriptive of the sine of the QAM carrier that are read from the look-up table 272 in the ROM 27, and the fourth digital multiplier 254 multiplies the imaginary digital samples of final IF signal supplied from the real-to-complex-sample converter 24 by digital samples descriptive of the cosine of the QAM carrier that are read from the look-up table 271 in the ROM 27.

FIG. 3 also shows in more detail the digital circuitry 30 for synchrodyning VSB DTV signals to baseband. The VSB synchrodyning circuitry 30 includes the VSB in-phase synchronous detector 300 for generating the real portion of its output signal and the VSB quadrature-phase synchronous detector 305 for generating the imaginary portion of its output signal. The VSB synchrodyning circuitry 30 includes a digital adder 306, a digital subtractor 307, and respective first, second, third and fourth digital multipliers 301-304. The VSB in-phase synchronous detector 300 includes the multiplier 301, the multiplier 302, and the adder 306 for adding the product output signals of the multipliers 301 and 302 to generate the real portion of the output signal of the VSB synchrodyning circuitry 30. The first digital multiplier 301 multiplies the real digital samples of final IF signal supplied from the real-to-complex-sample converter 24 by digital samples descriptive of the cosine of the VSB carrier that are read from the look-up table 311 in the ROM 31, and the second digital multiplier 302 multiplies the imaginary digital samples of final IF signal supplied from the real-to-complex-sample converter 24 by digital samples descriptive of the sine of the VSB carrier that are read from the look-up table 312 in the ROM 31. The VSB quadrature-phase synchronous detector 305 includes the multiplier 303, the multiplier 304, and the subtractor 307 for subtracting the product output signal of the multiplier 303 from the product output signal of the multiplier 304 to generate the imaginary portion of the output signal of the VSB synchrodyning circuitry 30. The third digital multiplier 303 multiplies the real digital samples of final IF signal supplied from the real-to-complex-sample converter 24 by digital samples descriptive of the sine of the VSB carrier that are read from the look-up table 312 in the ROM 31, and the fourth digital multiplier 304 multiplies the imaginary digital samples of final IF signal supplied from the real-to-complex-sample converter 24 by digital samples descriptive of the cosine of the VSB carrier that are read from the look-up table 311 in the ROM 31.

FIG. 4 shows in detail a representative construction of the sample clock generator 23. This construction includes a voltage-controlled oscillator 230 that generates cissoidal oscillations nominally of 21.52 MHz frequency. The oscillator 230 is a controlled oscillator, the frequency and phase of its oscillations being controlled by an automatic fre-



quency and phase control (AFPC) signal voltage. This AFPC signal voltage is generated by an automatic frequency and phase control (AFPC) detector **231**, which compares frequency-divided response to the oscillations of the oscillator **230** with a 10.76 MHz reference carrier supplied from a digital-to-analog converter (DAC) **232**. Preferably, oscillator **230** is of a type using a crystal for stabilizing the natural frequency and phase of its oscillations. A symmetrical clipper or limiter **233** generates an essentially squarewave response to these cisoidal oscillations, which is used as the first clock signal for timing the sampling of the final IF signal in the ADC **22**. A frequency-divider flip-flop **234** responds to transitions of the first clock signal in a prescribed sense for generating another square wave with a fundamental frequency of 10.76 MHz, half the frequency of the oscillations of the oscillator **230**. This frequency-divided response to the oscillations of the oscillator **230** is supplied to the AFPC detector **231** for comparison with the 10.76 MHz reference carrier supplied from the DAC **232**. The frequency-divider flip-flop **234** also supplies squarewave output signal with a fundamental frequency of 10.76 MHz to an AND circuit **235** to be ANDed with the first clock signal for generating a second clock signal used by the 2:1 decimator **35** shown in FIG. 1.

The 21.52 MHz reference carrier supplied from the digital-to-analog converter **232** is generated by extracting a component of the received DTV signal as synchrodynded to baseband, which component is of a frequency that is a subharmonic of the symbol frequency (or baud frequency), and multiplying that subharmonic of the symbol frequency by an appropriate factor in frequency multiplier circuitry. As evidenced by the article "Understanding Timing Recovery and Jitter in Digital Transmission Systems—Part 1" by Kenneth J. Bures published in the October 1992 issue of RF Design, there was knowledge in the prior art that it is possible in the analog regime to recover symbol timing information from certain types of symbol code in which the baud frequency is absent, by subjecting the symbol code to narrow bandpass filtering centered on a subharmonic of the baud frequency followed by squaring or other non-linear procedure that will generate harmonics from which the baud frequency may be extracted by frequency-selective filtering. The narrow bandpass filters used for lower symbol code rates include LC filters and phase-locked loops (PLLs), while SAW filters are preferred for higher symbol code rates. What is unusual about the symbol recovery procedure in the sample clock generator **23** shown in FIGS. 4 and 5 is that this method for recovering symbol timing information that is generally known is modified for use in the digital regime, using a finite-impulse-response digital bandpass filter having its elements clocked by the sample clock generator itself for selecting a prescribed submultiple of the symbol frequency in the digitized symbol codestream. Prospectively considered there was no assurance that this modified method would in fact work, since the effects of the digital sampling process are difficult to evaluate, particularly when the sampling rate is itself subject to control by the result of the modified method.

The modified method does work, however, as long as the frequencies used for generating AFPC error signal fall within the passbands of bandpass FIR digital filters which center on submultiples of the VCO **230** oscillation frequency, so that the AFPC loop can pull the VCO **230** into frequency and phase lock. In fact, the modified method is advantageous in that the bandpass FIR digital filters perform as tracking filters, being clocked by the sample clock generator. After frequency and phase lock of the VCO **230**, there

are no phase shift effects caused by the symbol rate subharmonics and harmonics not falling exactly at the center frequencies of the bandpass filters. The modified method will now be specifically described, first presuming the received DTV signal is a VSB signal with a 10.76 MHz symbol frequency, and then presuming the received DTV signal is a QAM signal with a 5.38 MHz symbol frequency.

A digital multiplexer **236** responds to the pilot carrier presence detector **34** detecting pilot carrier accompanying the received DTV signal, which is indicative that the received DTV signal is a VSB signal, to select the real samples of this signal supplied from a VSB in-phase synchronous detector **300** for application to a bandpass FIR digital filter **237** that provides a selective response centered at 5.38 MHz, which selects the first subharmonic of symbol frequency from the VSB signal. The filter **237** response is squared by a squaring circuit **238**, which generates harmonics of the filter **237** response including a strong 10.76 MHz component as second harmonic of 5.38 MHz. A bandpass FIR digital filter **239** that provides a selective response centered at 10.76 MHz selects this second harmonic for application to the DAC **232** as its digital input signal descriptive of its 10.76 MHz reference carrier analog output signal.

The digital multiplexer **236** responds to the pilot carrier presence detector **34** not detecting pilot carrier accompanying the received DTV signal, which is indicative that the received DTV signal is a QAM signal, to select the output signal of a squaring circuit **23A** for application to the bandpass filter **237** that provides a selective response centered at 5.38 MHz. A bandpass FIR digital filter **23B** that provides a selective response centered at 2.69 MHz for selecting the 2.69 MHz first subharmonic of the symbol frequency of a baseband QAM signal supplies input signal to the squaring circuit **23A**, which generates harmonics of the filter **23B** response including a strong 5.38 MHz component. This baseband QAM signal can be supplied either from the QAM in-phase synchronous detector **250**, as shown in FIG. 4, or from the QAM quadrature-phase synchronous detector **255**.

The squaring circuit **238** is shown in FIG. 4 as a digital multiplier receiving the filter **237** response both as multiplier and multiplicand; and the squaring circuit **23A** is shown as a digital multiplier receiving the filter **23B** response both as multiplier and multiplicand. Each of the squaring circuits **238** and **23A** can be constructed from logic gates as a digital multiplier, but for the sake of speedier operation is better provided by a ROM storing a look-up table of squares. An absolute-value circuit can be used as a substitute for the squaring circuit in generating harmonics of the response of a preceding filter, but produces weaker second harmonics and so is not preferred.

FIG. 4 also shows in more detail a representative construction of the first address generator **28**, which supplies addresses to a cosine look-up table portion **271** and a sine look-up table portion **272** of the ROM **27** that provides complex-number digital descriptions of two phasings of the QAM carrier, as translated to a final intermediate frequency and in quadrature relationship with each other. Transitions of the first clock signal are counted by a first address counter **281** in the first address generator **28** to generate a basic first address signal. This basic first address signal is applied as a first summand to a digital adder **282**. A first address correction signal, which is applied to the adder **282** as a second summand, adds to the basic first address signal in the adder **282** for generating as a sum output signal a corrected first address signal for addressing both the cosine look-up table



portion 271 and the sine look-up table portion 272 of the ROM 27. A symbol-clock-rotation detector 283 responds to the sequence of real samples of QAM signal as synchro-  
 dyned to baseband by the QAM in-phase synchronous  
 detector 250 and to the sequence of imaginary samples of  
 QAM signal as synchro-dyned to baseband by the QAM  
 quadrature-phase synchronous detector 255. The symbol-  
 clock-rotation detector 283 detects the misphasing between  
 symbol clocking done at the receiver in accordance with the  
 first clock signal and symbol clocking done at the  
 transmitter, as evidenced in the received QAM signal het-  
 erodyned to a final intermediate frequency that is a submul-  
 tiple of its symbol frequency. Several types of symbol-clock-  
 rotation detector 283 are described and background  
 literature describing certain of them are catalogued in U.S.  
 Pat. No. 5,115,454 issued May 19, 1992 to A. D. Kucar,  
 entitled METHOD AND APPARATUS FOR CARRIER  
 SYNCHRONIZATION AND DATA DETECTION, and  
 incorporated herein by reference. A digital lowpass filter 284  
 averages over many samples (e. g., several million) the  
 misphasing of the symbol clocking done at the receiver as  
 detected by the symbol-clock-rotation detector 283 to gen-  
 erate the first address correction signal supplied to the adder  
 282 to correct the basic first address. Averaging over so  
 many samples can be done by procedures which accumulate  
 lesser numbers of samples and dump them forward at a  
 reduced sample few times with progressively lower subsam-  
 pling rates. few times with progressively lower subsampling  
 rates.

FIG. 4 also shows in more detail a representative con-  
 struction of the second address generator 32, which supplies  
 addresses to a cosine look-up table portion 311 and a sine  
 look-up table portion 312 of the ROM 31 that provides  
 complex-number digital descriptions of two phasings of the  
 VSB carrier, as translated to a final intermediate frequency  
 and in quadrature relationship with each other. Transitions of  
 the first clock signal are counted by a second address counter  
 321 in the second address generator 32 to generate a basic  
 second address signal. This basic second address signal is  
 applied as a first summand to a digital adder 322. A second  
 address correction signal, which is applied to the adder 322  
 as a second summand, adds to the basic second address  
 signal in the adder 322 for generating as a sum output signal  
 a corrected second address signal for addressing both the  
 cosine look-up table portion 311 and the sine look-up table  
 portion 312 of the ROM 31.

FIG. 4 shows a clocked digital delay line 323 for delaying  
 the samples from the in-phase synchronous detector 300 by  
 a prescribed number of sample periods prior to their being  
 applied as input signal to a quantizer 324, which supplies the  
 quantization level most closely approximated by the sample  
 currently received by the quantizer 324 as input signal. The  
 quantization levels can be inferred from the energy of the  
 pilot carrier accompanying the VSB signal or can be inferred  
 from the result of envelope detection of the VSB signal. The  
 closest quantization level selected by the quantizer 324 as its  
 output signal has the corresponding quantizer 324 input  
 signal subtracted therefrom by a digital adder/subtractor  
 325, which is operated as a clocked element by including a  
 clocked latch at its output. The difference output signal from  
 the adder/ subtractor 325 describes the departure of the  
 symbol levels actually recovered from those that should be  
 recovered, but whether the polarity of the departure is  
 attributable to symbol misphasing being leading or lagging  
 remains to be resolved. The samples from the in-phase  
 synchronous detector 300 applied as input signal to the  
 clocked digital delay line 323 are applied without delay as

input signal to a mean-square-error gradient detection filter  
 326. The filter 326 is a finite-impulse-response (FIR) digital  
 filter having a  $(-1/2)$ , 1, 0,  $(-1)$ ,  $(+1/2)$  kernel, the operation of  
 which is clocked by the first sampling clock. The prescribed  
 number of sample periods of delay provided by the clocked  
 digital delay line 323 is such that filter 326 response is in  
 temporal alignment with the difference signal from the  
 adder/subtractor 325. A digital multiplier 327 multiplies the  
 difference signal from the adder/subtractor 325 with the  
 filter 326 response to resolve this issue. The sign bit and the  
 next most significant bit of the two's complement filter 326  
 response suffice for the multiplication, which permits sim-  
 plification of the digital multiplier 327 structure. The  
 samples of the product signal from the digital multiplier 327  
 are indications of the misphasing of the symbol clocking  
 done at the receiver that are averaged over many samples (e.  
 g., several million) by a digital lowpass filter 328 for  
 generating the second address correction signal supplied to  
 the adder 322 to correct the basic second address.

The symbol synchronization techniques used in the sec-  
 ond address generator 32 shown FIG. 4 are of the same  
 general type as S. U. H. Qureshi describes for use with pulse  
 amplitude modulation (PAM) signals in his paper "Timing  
 Recovery for Equalized Partial-Response Systems, IEEE  
 Transactions on Communications", Dec. 1976, pp.  
 1326-1330. These symbol synchronization techniques as  
 used in connection with symbol synchronization for VSB  
 signals are specifically described by the inventors in their  
 earlier-filed applications referenced earlier in this specifica-  
 tion. In preferred designs of the general type of second  
 address generator 32 shown in FIGS. 4 and 5, the clocked  
 digital delay line 323 does not exist as a separate element;  
 instead, an input signal to the quantizer 324 with the  
 requisite number of sample periods of delay for the differ-  
 ence signal from the adder/subtractor 325 being temporally  
 aligned with the filter 326 response is taken from the tapped  
 digital delay line included in the filter 326 for supplying  
 differentially delayed samples to be weighted by the  $(-1/2)$ , 1,  
 0,  $(-1)$ ,  $(+1/2)$  kernel before being summed to generate the  
 filter 326 response.

The carrier of a QAM DTV signal and the carrier of a  
 VSB DTV signal are translated to respective final interme-  
 diate frequencies that are separated 2.69 MHz from each  
 other, since the carrier of the QAM DTV signal is at the  
 center of a 6-MHz-wide TV channel, but the carrier of the  
 VSB DTV signal is only 310 kHz above the lowest fre-  
 quency of a 6-MHz-wide TV channel. The frequencies of the  
 local oscillators 11, 16 and 20 in the tuner 5 of FIG. 1 can  
 be chosen so that the intermediate frequency to which the  
 carrier of a VSB DTV signal is translated is higher than that  
 to which the carrier of a QAM DTV signal is translated, with  
 the vestigial and full sidebands of the VSB DTV signal  
 being respectively above and below its carrier. Alternatively,  
 the frequencies of the local oscillators 11, 16 and 20 can be  
 chosen so that the intermediate frequency to which the  
 carrier of a VSB DTV signal is translated is lower than that  
 to which the carrier of a QAM DTV signal is translated, with  
 the vestigial and full sidebands of the VSB DTV signal  
 being respectively below and above its carrier.

Preferably the lowest frequency of the final IF signal is  
 above 1 MHz, to keep the ratio of the highest frequency of  
 the final IF signal thereto substantially below 8:1 and  
 thereby ease the filtering requirements for the real-to-  
 complex-sample converter 24. To satisfy this preference in  
 regard to the QAM signal alone, the lowest carrier frequency  
 for the QAM carrier in the final IF signal is 3.69 MHz. To  
 satisfy this preference in regard to the VSB signal alone, the



lowest the carrier frequency for the VSB carrier in the final IF signal could be is 1.31 MHz, presuming its full sideband to be above its vestigial sideband in frequency, or 6.38 MHz, presuming its full sideband to be below its vestigial sideband in frequency. Presuming the full sideband of the VSB signal to be above its vestigial sideband in frequency, since the carrier frequency of the VSB carrier must be at least 1.31 MHz, the carrier frequency of the QAM carrier must be at least 4.00 MHz. Presuming the full sideband of the VSB signal to be below its vestigial sideband in frequency, since the carrier frequency of the VSB carrier must be at least 6.38 MHz, the carrier frequency of the QAM carrier must still be at least 3.69 MHz.

If the sample rate in the ADC 22 is established by the first clock signal from the sample clock generator 23 to be  $21.52 \times 10^6$  samples per second, preferably the intermediate frequency to which the carrier of a QAM DTV signal is translated is not higher than 5.38 MHz, so that it can be sampled at least four times per cycle. Presuming the full sideband of the VSB signal to be above its vestigial sideband in frequency, this preference constrains the lowest frequency in the final IF signal to being no higher than 2.38 MHz and the carrier of the VSB signal being no higher than 2.69 MHz. FIG. 11 illustrates how, for these presumed conditions, the VSB carrier is constrained to the band 1.31–2.69 MHz, and the QAM carrier is constrained to the band 4.00–5.38 MHz.

Presuming the full sideband of the VSB signal to be below its vestigial sideband in frequency, the QAM carrier is constrained to the band 3.69–5.38 MHz. Accordingly, the carrier of the VSB signal is constrained to the band 6.38–8.07 MHz in order that the 2.69 MHz offset between carriers is maintained. FIG. 12 illustrates the case where the QAM carrier is constrained to the band 3.69–5.38 MHz and the VSB carrier is constrained to the band 6.38–8.07 MHz.

The final intermediate frequency to which the QAM carrier is translated must be a submultiple of a multiple of the 21.52 MHz sampling rate in order that this carrier can be described on a continuous basis relying on a sine-cosine look-up table in the ROM 27. The final intermediate frequency to which the VSB carrier is translated must be a submultiple of a multiple of the  $21.52 \times 10^6$  samples-per-second sampling rate in order that this carrier can be described on a continuous basis relying on a sine-cosine look-up table in the ROM 31. The final intermediate frequency (m/n) times the 21.52 MHz sampling rate, to which the carrier is translated, preferably has a small value of n, to keep the number of values in the sine-cosine look-up tables stored in ROM reasonably small. (Note that the variables m and n referred to here have no relationship to the variables M and N referred to in the SUMMARY OF INVENTION.)

One can search for respective intermediate frequencies to which the carrier of a QAM DTV signal and the carrier of a VSB DTV signal are to be translated, which frequencies meet the criteria set forth above, by following procedure taught in U.S. Pat. No. 5,506,636. A table of subharmonics of successive harmonics of the 10.76 MHz VSB symbol rate, which the sampling clock rate is harmonically related to, is constructed for the frequency ranges of interest. Then pairs of subharmonics of the same harmonic which exhibit the desired 2.69 MHz difference in frequency between them are considered with regard to their relative advantages as carriers.

The third and seventh subharmonics of 21.52 MHz at 5.38 MHz and at 2.39 MHz exhibit substantially the desired 2.69 MHz offset and are appropriate for use as QAM carrier and a VSB carrier with its full sideband above its vestigial

sideband in frequency. The 2.69 MHz offset between these subharmonics is one-quarter the symbol rate of 10,762,237.762 samples per second, or 2,690,559.4 Hz, rather than the 2,690,122.4 Hz offset between the QAM and VSB carriers required to offset the VSB carrier from a co-channel interfering NTSC video carrier by 59.75 times the nominal NTSC horizontal scanning frequency. This small 437 Hz frequency discrepancy is easily accommodated by the automatic frequency and phase control of the controlled local oscillator 16 in the tuner 5 of FIG. 1. The addressing of ROMs 27 and 31 is greatly simplified when the QAM and VSB carriers are translated to be close to the third and seventh subharmonics of 21.52 MHz in final IF signals, since advantage can be taken of repetitive symmetries in the stored sine and cosine functions, to reduce the number of bits in the addresses applied to ROM.

The second harmonic of the 21.52 MHz sampling frequency is 43.05 MHz, and its subharmonics can be searched, looking for a pair offset from each other in frequency by an amount substantially equal to 2.69 MHz. The seventh and fifteenth subharmonics of 43.05 MHz are the third and seventh subharmonics of 21.52 MHz which have already been considered. The ninth and twenty-sixth subharmonics of 43.05 MHz at 4.305 MHz and at 1.594 MHz exhibit a 20 kHz or 0.74% error in regard to the desired 2.69 MHz offset and could respectively serve as QAM carrier and as VSB carrier. This error is within the 30 kHz or so mistuning tolerated in past commercial designs for NTSC TV receivers. The ROM 31 storing sine-cosine look-up tables for the twenty-sixth subharmonic of 43.05 MHz has to store an excessive number of samples, however; and the ROM 27 storing sine-cosine look-up tables for the ninth subharmonic of 43.05 MHz has to store an appreciable number of samples, too.

The third harmonic of the 21.52 MHz sampling frequency is 64.57 MHz, and its subharmonics can be searched, looking for a subharmonic offset in frequency from a subharmonic of 43.05 MHz or from another subharmonic of 64.57 MHz by an amount substantially equal to 2.69 MHz. The twelfth subharmonic of 64.57 MHz, 4.967 MHz, and the eighteenth subharmonic of 43.05 MHz, 2.265 MHz, exhibit a 12 kHz or 0.45% error in regard to the desired 2.69 MHz offset and could respectively serve as QAM carrier and as a VSB carrier with its full sideband above its vestigial sideband in frequency. This error is well within the 30 kHz or so of mistuning tolerated in past commercial designs for NTSC TV receivers. However, the ROM 27 storing sine-cosine look-up tables for the twelfth subharmonic of 64.57 MHz has to store an excessive number of samples; and the ROM 31 storing sine-cosine look-up tables for the eighteenth subharmonic of 43.05 MHz has to store an excessive number of samples, too.

The seventh subharmonic of 64.57 MHz is 8.07 MHz, offset almost exactly the desired 2.69 MHz from the third subharmonic of 21.52 MHz. This third subharmonic of 21.52 MHz, 5.38 MHz, and the seventh subharmonic of 64.57 MHz, 8.07 MHz, are appropriate for use as QAM carrier and a VSB carrier with its full sideband below its vestigial sideband in frequency.

It appears preferable that the frequencies of the local oscillators 11, 16 and 20 in the tuner 5 of FIG. 1 be chosen so that the intermediate frequency to which the carrier of a QAM DTV signal is translated is 5.38 MHz, the presumed symbol rate for the QAM DTV signal and half the standard symbol rate for the VSB DTV signal. Accordingly, if the VSB carrier is translated in frequency so as to have its full sideband above its vestigial sideband in frequency in the



final IF signal, the preferred frequency of the VSB carrier in the final IF signal is 2.69 MHz. Alternatively, if the VSB carrier is translated in frequency so as to have its full sideband below its vestigial sideband in frequency in the final IF signal, the preferred frequency of the VSB carrier in the final IF signal is 8.07 MHz.

It is noted in passing that all the subharmonics of 43.05 MHz and all the subharmonics of 64.57 MHz are subharmonics of 129.15 MHz, the third harmonic of 43.05 MHz and the second harmonic of 64.57 MHz. The 2.69 MHz, 5.68 MHz and 8.07 MHz frequencies are the forty-seventh, twenty-third and fifteenth subharmonics, respectively, of 129.15 MHz. It is also noted that while the harmonic relationship between carriers have been considered in terms of harmonics of the 21.52 MHz sampling rate that is the second harmonic of the 10.76 MHz VSB symbol rate, the consideration thus far can be viewed as involving the even harmonics of the 10.76 MHz symbol rate. A more complete consideration of the possible harmonic relationships between carriers also includes consideration of odd harmonics, at least third, of the 10.76 MHz VSB symbol rate. The 2.69 MHz, 5.68 MHz and 8.07 MHz frequencies are respectively the eleventh, fifth and third subharmonics of 32.29 MHz, 32.29 MHz being three times the 10.76 MHz symbol rate of the VSB signal.

One skilled in the art of designing analog-to-digital conversion circuitry for digital systems will appreciate that the sampling of analog signals for digitization can use various widths of sampling window. Thus far, it has been presumed that  $21.52 * 10^6$  samples per second are taken with the duration of each sampling window extending over half a cycle of 21.52 MHz. The pulses from the limiter **233** can be stretched to nearly twice this duration, if desired. Another alternative that is possible is to design the analog-to-digital converter to use two staggered sets of sampling windows with each sampling window extending over half a cycle of 21.52 MHz to digitize on a staggered-phase basis at a  $43.05 * 10^6$  samples per second combined rate. The digitization of final IF signal at a  $43.05 \text{ MHz} * 10^6$  samples per second improves automatic phase and frequency control accuracy.

FIG. 5 shows a modification of the FIG. 4 circuitry that is possible when the third and the seventh subharmonics of 21.52 MHz are used as the final intermediate frequencies to which the QAM and VSB DTV carriers are respectively converted. In a modification **320** of the second address generator **32** described above, second address counter **321** is arranged to count modulo eight when sampling rate is  $21.52 * 10^6$  samples per second, thereby to generate two cycles of ROM **27** addressing and the one cycle of addressing for a ROM **310** that replaces the ROM **31**; and the less significant bits of the output count from the second address counter **321** are made available for replacing the basic first address from the first address counter **281**. In a modification **280** of the first address generator **28** described above, the first address counter **281** is dispensed with, and the less significant bits of the second address counter **321** are applied to the adder **282** as basic first address instead of the count from the first address counter **281**. The VSB complex carrier ROM **31** is replaced with a ROM **310** that comprises a portion **313** that stores only one-half cycle of VSB carrier cosine values and a portion **314** that stores only one-half cycle of VSB carrier sine values. These portions **313** and **314** of the ROM **310** are addressed by the less significant bits of the adder **322** sum output signal. A selective bits complementor **315** exclusive-ORs the most significant bit of the adder **322** sum output signal with each of the bits of the VSB carrier cosine values read from the portion **313** of the ROM **310** for generating a

first summand input for a digital adder **317**, and the most significant bit of the adder **322** sum output signal is provided with zero extension in the direction of increased significance for generating a second summand input for the adder **317**. The sum output from the adder **317** provides eight cosine values of VSB carrier over eight first clock periods to define a complete cycle of VSB carrier. A selective bits complementor **316** exclusive-ORs the most significant bit of the adder **322** sum output signal with each of the bits of the VSB carrier sine values read from the portion **314** of the ROM **310** for generating a first summand input for a digital adder **318**, and the most significant bit of the adder **322** sum output signal with zero extension in the direction of increased significance is also applied as a second summand input for the adder **318**. The sum output from the adder **318** provides eight sine values of VSB carrier over eight first clock periods to define a complete cycle of VSB carrier.

The FIG. 5 or the FIG. 4 circuitry can also be used when the fifth and third subharmonics of 32.29 MHz are used as the final intermediate frequencies to which the QAM and VSB DTV carriers are respectively converted. The contents of the portions **313** and **314** of the ROM **310** are modified for the higher-frequency 8.07 MHz VSB carrier, of course.

One skilled in the art of digital circuit design will understand that other hardware savings can be made in the FIG. 4 read-only memory circuitry taking advantage of symmetries in the cosine and sine functions or the  $90^\circ$  offset in the respective phases of these two functions. One skilled in the art of digital circuit design and acquainted with the foregoing description will understand that modifications of the FIG. 4 and FIG. 5 circuitry are possible that have an AFPC detector for the VCO **230** in which the oscillations from the VCO **230** as converted to square waves by the symmetrical clipper **233** are compared in frequency with frequency doubler response to the 10.76 MHz signal selected by the digital bandpass filter **237**.

One skilled in the art of digital circuit design will be enabled by acquaintance with the foregoing description to implement circuitry in which the ADC **22** samples at a  $43.05 * 10^6$  samples per second sample rate during digitization. The VCO **230** is replaced by a VCO supplying 43.05 MHz oscillations; and, by way of example, oscillations from the VCO **230** as converted to square waves by the symmetrical clipper **233** and frequency divided by the flip-flop **234** are compared in frequency with frequency doubler response to the 10.76 MHz signal selected by the digital bandpass filter **237**. The 2:1 decimator **35** can be replaced by a 4:1 decimator, and the squarewave output signal from the flip-flop **234** can be divided by another factor of two by a further flip-flop to provide support for generating a reduced-rate sample clock signal for the 4:1 decimator.

FIG. 6 shows a form that the circuitry **24** can take, which comprises:

- (a) a linear-phase, finite-impulse-response (FIR) digital filter **60** that generates imaginary (Im) digital samples as a Hilbert transform response to the real (Re) digital samples; and
- (b) compensating, clocked digital delay of the real digital samples to compensate for the latency time of the Hilbert transformation filter **60**, which clocked digital delay can be provided by clocked latch elements **61-66** included in the Hilbert transformation filter **60**.

The use of such circuitry for implementing in-phase and quadrature-phase sampling procedures on bandpass signals is described by D. W. Rice and K. H. Wu in their article "Quadrature Sampling with High Dynamic Range" on pp.



736-739 of IEEE TRANSACTIONS ON AEROSPACE AND ELECTRONIC SYSTEMS, Vol. AES-18, No. 4 (Nov 1982). Since the frequency band 6 MHz wide occupied by the final IF signal has a lowest frequency of at least a megaHertz or so, it is possible to use as few as seven non-zero-weighted taps in the FIR filter 60 used for Hilbert transformation.

The seven-tap Hilbert transformation filter 60 includes a cascade connection of one-sample delay elements 61, 62, 63, 64, 65 and 66 from which samples taken to be weighted and summed to generate the Hilbert transform response. The Hilbert transform is linear phase in nature so the tap weights of the FIR filter 60 exhibit symmetry about median delay. Accordingly, a digital adder 67 sums the input signal to delay element 61 and the output signal from the delay element 66 to be weighted in common, a digital adder 68 sums the output signal from the delay element 61 and the output signal from the delay element 65 to be weighted in common, and a digital adder 69 sums the output signal from the delay element 62 and the output signal from the delay element 64 to be weighted in common. The output signal from the delay element 64 is applied as input address to a read-only memory 70, which multiplies that signal by an appropriate weight  $W_0$  magnitude. The sum output signal from the digital adder 69 is applied as input address to a read-only memory 71, which multiplies that signal by an appropriate weight  $W_1$  magnitude. The sum output signal from the digital adder 68 is applied as input address to a read-only memory 72, which multiplies that signal by an appropriate weight  $W_2$  magnitude. The sum output signal from the digital adder 67 is applied as input address to a read-only memory 73, which multiplies that signal by an appropriate weight  $W_3$  magnitude. The use of the ROMs 70, 71, 72 and 73 as fixed-multiplicand multipliers keeps the delay associated with multiplication negligibly short. The output signals of the ROMs 70, 71, 72 and 73 are combined by a tree of signed digital adders 74, 75 and 76 operated as adders or subtractors, as required to appropriately assign signs to the magnitudes of the weights  $W_0$ ,  $W_1$ ,  $W_2$  and  $W_3$  stored in the ROMs 70, 71, 72 and 73. The adders 67, 68, 69, 74, 75 and 76 are assumed to be clocked adders each exhibiting one-sample latency, which results in the seven-tap FIR filter 60 exhibiting a six-sample latency. Delay of the filter 60 input signal that compensates for this latency is provided by the cascade connection of the six one-sample delay elements 61, 62, 63, 64, 65 and 66. The input address to the read-only memory 70 is taken from the output of the delay element 64, rather than from the output of the delay element 63, so the one-sample delay of delay element 64 compensates for the one-sample delays in the adders 67, 68 and 69.

C. M. Rader in his article "A Simple Method for Sampling In-Phase and Quadrature Components", IEEE TRANSACTIONS ON AEROSPACE AND ELECTRONIC SYSTEMS, Vol. AES-20, No. 6 (Nov 1984), pp. 821-824, describes improvements in complex synchronous detection carried out on digitized bandpass signals. Rader replaces the Hilbert-transform FIR filter and the compensating-delay FIR filter of Rice and Wu with a pair of all-pass digital filters designed based on Jacobian elliptic functions and exhibiting a constant  $\pi/2$  difference in phase response for the digitized bandpass signals. A preferred pair of such all-pass digital filters, which are of infinite-impulse-response (IIR) type, has the following system functions:

$$H_1(z)=z^{-1}(z^{-2}-a^2)/(1-a^2z^{-2})a^2=0.5846832$$

$$H_2(z)=-\frac{(z^{-2}-b^2)}{(1-b^2z^{-2})}b^2=0.1380250$$

Rader describes filter configurations which require only two multiplications, one by  $a^2$  and one by  $b^2$ .

FIG. 7 shows an alternative form that the circuitry 24 can take, which comprises a pair of all-pass digital filters 80 and 90 of a type described by C. M. Rader and designed based on Jacobian elliptic functions. The filters 80 and 90 exhibit a constant  $\pi/2$  difference in phase response for digitized bandpass signals. Since oversampled real samples better provide for symbol synchronization when synchrodyning VSB signals, the inventors prefer not to use the all-pass filters also described by Rader that exploit sub-sampling to provide further reductions in the delay network circuitry.

The construction of the filter 80, which provides the system function  $H_1(z)=z^{-1}(z^{-2}-a^2)/(1-a^2z^{-2})$ , where  $a^2=0.5846832$  in decimal arithmetic, is shown in FIG. 7 to be as follows. The samples from the ADC 22 are delayed by one ADC sample clock duration in a clocked delay element 88 for application to a node 89. The signal at node 89 is further delayed by two ADC sample clock durations in cascaded clocked delay elements 81 and 82, for application as first summand signal to a digital adder 83. The sum output signal of the adder 83 provides the real response from the filter 80. The sum output signal of the adder 83 is delayed by two ADC sample clock durations in cascaded clocked delay elements 84 and 85, for application as minuend input signal to a digital subtractor 86 that receives the signal at node 89 as its subtrahend input signal. The resulting difference output signal from the digital subtractor 86 is supplied as multiplier input signal to a digital multiplier 87 for multiplying an  $a^2$  multiplicand signal, using a binary arithmetic. The resulting product output signal is applied to the digital adder 83 as its second summand signal.

The construction of the filter 90, which provides the system function  $-H_2(z)=(z^{-2}-b^2)/(1-b^2z^{-2})$ , where  $b^2=0.1380250$  in decimal arithmetic, is shown in FIG. 7 to be as follows. The samples from the ADC 22 are delayed by two ADC sample clock durations in cascaded clocked delay elements 91 and 92, for application as first summand signal to a digital adder 93. The sum output signal of the adder 93 provides the imaginary response from the filter 90. The sum output signal of the adder 93 is delayed by two ADC sample clock durations in cascaded clocked delay elements 94 and 95, for application to a digital subtractor 96 as its minuend signal. The subtractor 96 receives the samples from the ADC 22 as its subtrahend input signal. The resulting difference output signal from the digital subtractor 96 is supplied as multiplier input signal to a digital multiplier 97 for multiplying a  $b^2$  multiplicand signal, using a binary arithmetic. The resulting product output signal is applied to the digital adder 93 as its second summand signal.

FIG. 8 shows a complex-signal filter resulting from modifying the FIG. 7 complex-signal filter as follows. The position of the clocked delay element 88 is shifted so as to delay the sum output signal of the adder 83, rather than to delay the digital output signal of the ADC 22, and the digital output signal of the ADC 22 is applied to the node 89 without delay, thereby to cause real response to be provided at the output port of the shifted-in-position clocked delay element 88. The real response provided at the output port of the shifted-in-position clocked delay element 81 is the same as the response provided at the output port of the clocked delay element 84. So, the real response is provided from the output port of the clocked delay element 84 instead of from the output port of the shifted-in-position clocked delay element 81; and the shifted-in-position clocked delay element 81, being no longer required, is dispensed with.

FIG. 9 shows a complex-signal filter resulting from modifying the FIG. 8 complex-signal filter as follows. The first



summand signal for the adder **83** is then taken from the cascaded clocked delay elements **91** and **92**, rather than from the cascaded clocked delay elements **81** and **82**. The cascaded clocked delay elements **81** and **82**, being no longer required, are dispensed with. The FIG. **9** complex-signal filter is preferred over the complex-signal filters of FIG. **7** and **8** in that redundant clocked delay elements are eliminated.

FIG. **10** is a detailed block schematic diagram of a complex-signal filter developing a constant  $\pi/2$  difference in phase between a real response  $Re$  and an imaginary response  $Im$  to the digitized bandpass signals, that is similar the complex-signal filter described by T. F. S. Ng in United Kingdom patent application 2 244 410 A published Nov. 27, 1991 and entitled QUADRATURE DEMODULATOR. The Ng filters are finite-impulse-response (FIR) digital filters, rather than IIR filters as described by Rader. The FIG. **10** complex-signal filter differs from the filters described by Ng in that 2:1 decimation is done following filtering, rather than before.

This permits the real and imaginary filtering to be supported by a shared tapped delay line. FIG. **10** shows this shared tapped delay line composed of cascaded single-clock-delay elements **100-114**, such as latches that like the ADC **22** are clocked at four times symbol transmission rate. The single-clock-delay element **100** may be dispensed with or subsumed into the ADC **22** in some designs. Digital adders and subtractors in the FIG. **6** complex filter are assumed to be clocked at four times symbol transmission rate, with each having a single-clock-duration latency. The digital multipliers are assumed to be a wired place shift in the case of a multiplication by an integral power of two or to be provided from read-only memory (ROM), so there is zero latency in each of the multiplications insofar as clocked operation is concerned. At least the eight-bit resolution in the filter results per Ng is presumed.

In order to generate the real response  $H_1(z)$ , the real-response filter is presumed to apply tap weights  $W_0=4$ ,  $W_1=0$ ,  $W_2=-12$ ,  $W_3=-72$ ,  $W_4=72$ ,  $W_5=12$ ,  $W_6=0$  and  $W_7=-4$  per the example described by Ng. The real-response filter, in addition to the single-clock-delay elements **100-114**, includes a digital subtractor **121** for subtracting the response of the delay element **114** from the response of the delay element **100**, a digital multiplier **122** for weighting the differential response of the subtractor **121** by a factor of four, a digital subtractor **125** for subtracting the response of the delay element **103** from the response of the delay element **109**, a digital multiplier **126** for weighting the differential response of the subtractor **125** by a factor of twelve, a digital subtractor **127** for subtracting the response of the delay element **105** from the response of the delay element **107**, a digital multiplier **128** for weighting the differential response of the subtractor **127** by a factor of seventy-two, a digital adder **129** for summing the products from the digital multipliers **126** and **128**, a digital adder **130** for summing the product from the digital multiplier **122** with the sum output signal from the adder **129**, and a 2:1 decimator **131** for generating the real filter response  $Re$  in decimated response to the sum output signal from the adder **130**.

The subtractor **121** subtracts the response of the delay element **114** from the response of the delay element **100**, rather than subtracting the response of the delay element **113** from the output signal of the ADC **22**, to introduce single-clock-duration delay to compensate for the latency of the adder **129**. Since  $W_1=0$  and  $W_6=0$ , there is no digital subtractor **123** for subtracting the response of the delay element **111** from the response of the delay element **101** or

digital multiplier **124** for weighting the differential response of the subtractor **123**. Consequently, there is no digital adder for summing product from the multiplier **124** with the product from the multiplier **122**. This gives rise to the need to compensate for the latency of the adder **129**.

In order to generate the imaginary response  $H_1(z)$ , the imaginary-response filter is presumed to apply tap weights  $W_8=8$ ,  $W_9=14$ ,  $W_{10}=22$ ,  $W_{11}=96$ ,  $W_{12}=22$ ,  $W_{13}=14$ ,  $W_{14}=8$  corrected from the example described by Ng. The imaginary-response filter, in addition to the single-clock-delay elements **100-112**, includes a digital adder **141** for adding the response of the delay element **112** with the response of the delay element **100**, a digital multiplier **142** for weighting the sum response of the adder **141** by a factor of eight, a digital adder **143** for adding the response of the delay element **110** with the response of the delay element **102**, a digital multiplier **144** for weighting the sum response of the adder **143** by a factor of fourteen, a digital adder **145** for adding the response of the delay element **108** with the response of the delay element **104**, a digital multiplier **146** for weighting the sum response of the adder **145** by a factor of twenty-two, a digital multiplier **147** for weighting the response of the delay element **107** by a factor of ninety-six, a digital adder **148** for summing the products from the digital multipliers **142** and **144**, a digital adder **149** for summing the products from the digital multipliers **146** and **147**, a digital adder **150** for summing the sum output signals from the adders **148** and **149**, and a 2:1 decimator **151** for generating the imaginary filter response  $Im$  in decimated response to the sum output signal from the adder **150**.

The digital multiplier **147** weights the response of the delay element **107** by a factor of ninety-six, rather than the response of the delay element **106**, in order to introduce single-clock-duration delay to compensate for the single-clock-duration latency of each of the adders **141**, **143** and **145**.

Less preferred embodiments of the invention are contemplated in which the trellis-decoded output signals of the two-dimensional symbol decoding circuitry **37** and of the one-dimensional symbol decoding circuitry **38** are supplied to respective data de-interleavers, with data source selection being deferred until data de-interleaving is completed. Other less preferred embodiments of the invention are contemplated in which the trellis-decoded output signal of the two-dimensional symbol decoding circuitry **37** is de-interleaved by a respective data de-interleaver and then decoded by a respective Reed-Solomon decoder to generate a first stream of error-corrected data, in which the trellis-decoded output signal of the one-dimensional symbol decoding circuitry **38** is de-interleaved by a respective data de-interleaver and then decoded by a respective Reed-Solomon decoder to generate a second stream of error-corrected data, and in which the data source selection is made between the first and second streams of error-corrected data. In modifications of these other less preferred embodiments of the invention the first and second streams of error-corrected data are supplied to separate data de-randomizers before data source selection is made. In other variants separate Reed-Solomon decoders are used for the QAM and VSB signals, but one data de-interleaver is used for both the QAM and VSB signals, or one data de-randomizer is used for both the first and second streams of error-corrected data.

The 2:1 decimator **35** of FIG. **1** is replaced by a 4:1 decimator in embodiments of the invention in which the ADC **22** samples at a  $43.05 * 10^6$  samples per second sample rate during digitization, rather than a  $21.52 * 10^6$  samples



per second sample rate. Such change requires appropriate modifications to the sample clock generator **23**, of course. A sample rate higher than  $21.52 * 10^6$  samples per second is used when the synchrodyne circuitry **25** or **30** must synchrodyne to baseband a DTV signal having a carrier frequency higher than 5.38 MHz. Such a situation obtains when the synchrodyne circuitry **30** must synchrodyne to baseband a VSB signal having its vestigial sideband at frequencies greater than those in its full sideband. Decimators which decimate a baseband signal by a factor N at least two are better designed not to merely omit samples but rather to pre-filter the baseband signal and then to omit samples of the pre-filter response.

The preferred embodiments of the invention described supra use QAM synchrodyning circuitry and VSB synchrodyning circuitry of digital type. Digitizing final IF signals rather than baseband signals, as done in preferred embodiments of the invention reduces the number of analog-to-digital conversion procedures that must be done and avoids any problem with tracking the conversion characteristics of two analog-to-digital converters used in the QAM synchrodyning circuitry.

However, in other embodiments of the invention synchrodyning of the QAM signal to baseband is done using in-phase and quadrature-phase analog synchronous detectors, which are followed by analog-to-digital conversion circuitry for digitizing response from the in-phase analog synchronous detector to generate a real sample stream of interleaved QAM symbol code and for digitizing response from the quadrature-phase analog synchronous detector to generate an imaginary sample stream of interleaved QAM symbol code.

In other embodiments of the invention, adapted from the DTV receiver type used in field testing during the development of the ATSC standard, synchrodyning of the VSB signal to baseband is done using an analog synchronous detector, which is followed by an analog-to-digital converter (ADC) for digitizing response from the analog synchronous detector to generate a sample stream of interleaved VSB symbol code and then bcode and then by a baseband phase tracker. In these other embodiments of the invention the decimation filter takes its input signal directly from the response of the baseband phase tracker.

The preferred embodiments of the invention use digital synchrodyning procedures to achieve "wrap-around" of symbol phase adjustment. The adjustment of symbol phase takes place in a bandpass transform of the baseband, so if the ROMs storing digital carrier are addressed suitably, symbol phase adjustment takes place on a closed cycle of adjustment range, rather than on an open linear adjustment range. If there is only an open linear adjustment range for symbol phase, which is all that is available at baseband, when the limit of adjustment range is reached symbol phasing will jump in time displacement. This jump in time will cause repetition of symbols in the symbol coding stream or will cause loss of symbols in the symbol coding stream, depending on whether the jump in time displacement is backward or is forward. These effects undesirably interfere with symbol counting within the data line in which the jump in time displacement occurs, causing temporary loss of data synchronization.

Television engineers are currently considering using the digital transmission system for HDTV for transmitting other types of television signals—for example, four television signals with resolution similar to present-day NTSC signals that are simultaneously transmitted. The invention is suitable for use in receivers for these alternative transmission

schemes, and the claims which follow should be construed broadly enough to include such receivers within their scope.

In the claims which follow, the word "said" is used whenever reference is made to an antecedent, and the word "the" is used for grammatical purposes other than to refer back to an antecedent.

What is claimed is:

**1.** A digital television (DTV) signal receiver comprising:  
a radio receiver portion for selecting a channel for reception, for converting DTV signal in the selected channel to intermediate frequencies for filtering and amplification, and for synchrodyning an analog final intermediate-frequency output signal resulting from said filtering and amplification to baseband thereby to generate a baseband signal;

an analog-to-digital converter (ADC) included in said radio receiver portion for sampling one of said signals therein and digitizing it, so that said baseband signal is supplied from said radio receiver portion as a first stream of digital samples descriptive of said baseband signal;

[a sample clock generator for supplying a sample clock signal to time the sampling by said ADC so that said first stream of digital samples has a sample rate substantially equal to a prescribed multiple MN times the symbol rate of said DTV signal, MN being the product of a positive number M greater than one and of a positive integer N at least two;]

an N:1 decimator connected for receiving said first stream of digital samples and generating in response thereto a second stream of digital samples at a sample rate one  $N^{th}$  that of said first stream of digital samples;

a channel equalizer for performing channel equalization on said second stream of digital samples to generate a channel equalizer response; and

symbol decoding circuitry for decoding symbols in said channel equalizer response, as corrected for symbol phase error, to recover groups of bits corresponding to decoded symbols.

**2.** A DTV signal receiver as set forth in claim **1** wherein said sample clock generator comprises:

an oscillator for supplying oscillations at a frequency controlled by an automatic frequency and phase control signal;

circuitry for generating said sample clock signal at a rate responsive to said oscillation frequency;

an FIR filter for supplying a bandpass response to said first stream of digital samples which bandpass response is centered on a subharmonic of the symbol rate of said DTV signal;

a frequency multiplier for multiplying the frequency of a component of said bandpass response at said subharmonic of the symbol rate of said DTV signal to generate a harmonic of the symbol rate of said DTV signal; and

an automatic frequency and phase control detector for detecting frequency and phase error between the sampling rate of said ADC and said harmonic of the symbol rate of said DTV signal, for application to said oscillator as its said automatic frequency and phase control signal.

**3.** A DTV signal receiver as set forth in claim **2**, wherein N equals 2.

[**4.** A DTV signal receiver as set forth in claim **2**, wherein M equals 1 and N equals 2.]



5. A DTV signal receiver as set forth in claim 1, wherein N equals 2.

[6. A DTV signal receiver as set forth in claim 1, wherein M equals 1 and N equals 2.]

7. A DTV signal receiver as set forth in claim 1, further comprising:

data synchronization recovery circuitry for detecting data synchronization information extracted from said second stream of digital samples;

a de-interleaver for said bit groups;

a Reed-Solomon decoder receiving the response of said de-interleaver as its input signal; and

a de-randomizer responsive to the results from said Reed-Solomon decoder for restoring a signal randomized prior to transmission to said DTV receiver.

8. A DTV signal receiver as set forth in claim 7, wherein said data synchronization recovery circuitry is of a type for detecting data synchronization responsive to groups of bits said symbol decoder decodes from symbols in said channel equalizer.

9. A DTV signal receiver as set forth in claim 7, wherein said data synchronization recovery circuitry is of a type employing match filters for detecting data synchronization responsive to said second stream of digital samples.

10. A DTV signal receiver as set forth in claim 9, wherein said data synchronization recovery circuitry is connected to receive said second stream of digital samples after said channel equalizer has performed channel equalization thereon.

11. A DTV signal receiver as set forth in claim 1, wherein said ADC is connected for sampling said analog final intermediate-frequency output signal, and wherein the synchrodyning of said analog final intermediate-frequency output signal to baseband is done by digital synchrodyning apparatus for QAM digital television signals.

12. A DTV signal receiver as set forth in claim 11, further comprising:

data synchronization recovery circuitry for detecting data synchronization responsive to groups of bits said symbol decoder decodes from symbols in said channel equalizer response;

a de-interleaver for said bit groups;

a Reed-Solomon decoder receiving the response of said de-interleaver as its input signal; and

a de-randomizer responsive to the results from said Reed-Solomon decoder for restoring a signal randomized prior to transmission to said DTV receiver.

13. A DTV signal receiver as set forth in claim 11, further comprising:

data synchronization recovery circuitry employing match filters for detecting data synchronization responsive to said second stream of digital samples;

a de-interleaver for said bit groups;

a Reed-Solomon decoder receiving the response of said de-interleaver as its input signal; and

a de-randomizer responsive to the results from said Reed-Solomon decoder for restoring a signal randomized prior to transmission to said DTV receiver.

14. A DTV signal receiver as set forth in claim 13, wherein said data synchronization recovery circuitry is connected to receive said second stream of digital samples after said channel equalizer has performed channel equalization thereon.

15. A DTV signal receiver as set forth in claim 11, wherein said sample clock generator comprises:

an oscillator for supplying oscillations at a frequency controlled by an automatic frequency and phase control signal;

circuitry for generating said sample clock signal at a rate responsive to said oscillation frequency;

an FIR filter for supplying a bandpass response to said first stream of digital samples which bandpass response is centered on a subharmonic of the symbol rate of said DTV signal;

a frequency multiplier for multiplying the frequency of a component of said bandpass response at said subharmonic of the symbol rate of said DTV signal to generate a harmonic of the symbol rate of said DTV signal; and

an automatic frequency and phase control detector for detecting frequency and phase error between the sampling rate of said ADC and said harmonic of the symbol rate of said DTV signal, for application to said oscillator as its said automatic frequency and phase control signal.

16. A DTV signal receiver as set forth in claim 15, further comprising:

data synchronization recovery circuitry for detecting data synchronization responsive to groups of bits said symbol decoder decodes from symbols in said channel equalizer response;

a de-interleaver for said bit groups;

a Reed-Solomon decoder receiving the response of said de-interleaver as its input signal; and

a de-randomizer responsive to the results from said Reed-Solomon decoder for restoring a signal randomized prior to transmission to said DTV receiver.

17. A DTV signal receiver as set forth in claim 15, further comprising:

data synchronization recovery circuitry employing match filters for detecting data synchronization responsive to said second stream of digital samples;

a de-interleaver for said bit groups;

a Reed-Solomon decoder receiving the response of said de-interleaver as its input signal; and

a de-randomizer responsive to the results from said Reed-Solomon decoder for restoring a signal randomized prior to transmission to said DTV receiver.

18. A DTV signal receiver as set forth in claim 17, wherein said data synchronization recovery circuitry is connected to receive said second stream of digital samples after said channel equalizer has performed channel equalization thereon.

19. A DTV signal receiver as set forth in claim 1, wherein said ADC is connected for sampling said analog final intermediate-frequency output signal, and wherein the synchrodyning of said analog final intermediate-frequency output signal to baseband is done by digital synchrodyning apparatus for VSB digital television signals.

20. A DTV signal receiver as set forth in claim 19, further comprising:

data synchronization recovery circuitry for detecting data synchronization responsive to groups of bits said symbol decoder decodes from symbols in said channel equalizer response;

a de-interleaver for said bit groups;

a Reed-Solomon decoder receiving the response of said de-interleaver as its input signal; and



a de-randomizer responsive to the results from said Reed-Solomon decoder for restoring a signal randomized prior to transmission to said DTV receiver.

**21.** A DTV signal receiver as set forth in claim **19**, further comprising:

data synchronization recovery circuitry employing match filters for detecting data synchronization responsive to said second stream of digital samples;

a de-interleaver for said bit groups;

a Reed-Solomon decoder receiving the response of said de-interleaver as its input signal; and

a de-randomizer responsive to the results from said Reed-Solomon decoder for restoring a signal randomized prior to transmission to said DTV receiver.

**22.** A DTV signal receiver as set forth in claim **21**, wherein said data synchronization recovery circuitry is connected to receive said second stream of digital samples after said channel equalizer has performed channel equalization thereon.

**23.** A DTV signal receiver as set forth in claim **19**, wherein said sample clock generator comprises:

an oscillator for supplying oscillations at a frequency controlled by an automatic frequency and phase control signal;

circuitry for generating said sample clock signal at a rate responsive to said oscillation frequency;

an FIR filter for supplying a band pass response to said first stream of digital samples which bandpass response is centered on a subharmonic of the symbol rate of said DTV signal;

a frequency multiplier for multiplying the frequency of a component of said bandpass response at said subharmonic of the symbol rate of said DTV signal to generate a harmonic of the symbol rate of said DTV signal; and

an automatic frequency and phase control detector for detecting frequency and phase error between the sampling rate of said ADC and said harmonic of the symbol rate of said DTV signal, for application to said oscillator as its said automatic frequency and phase control signal.

**24.** A DTV signal receiver as set forth in claim **23**, further comprising:

data synchronization recovery circuitry for detecting data synchronization responsive to groups of bits said symbol decoder decodes from symbols in said channel equalizer response;

a de-interleaver for said bit groups;

a Reed-Solomon decoder receiving the response of said de-interleaver as its input signal; and

a de-randomizer responsive to the results from said Reed-Solomon decoder for restoring a signal randomized prior to transmission to said DTV receiver.

**25.** A DTV signal receiver as set forth in claim **23**, further comprising:

data synchronization recovery circuitry employing match filters for detecting data synchronization responsive to said second stream of digital samples;

a de-interleaver for said bit groups;

a Reed-Solomon decoder receiving the response of said de-interleaver as its input signal; and

a de-randomizer responsive to the results from said Reed-Solomon decoder for restoring a signal randomized prior to transmission to said DTV receiver.

**26.** A DTV signal receiver as set forth in claim **25**, wherein said data synchronization recovery circuitry is connected to receive said second stream of digital samples after said channel equalizer has performed channel equalization thereon.

**27.** A DTV signal receiver for recovering baseband digital samples of symbol code from the DTV signal, including

an analog-to-digital converter for sampling the DTV signal in accordance with a first sample clock signal and a

a sample clock generator for generating said first sample clock signal, said sample clock generator comprising:

a controlled oscillator for supplying oscillations;

circuitry for supplying said first sample clock signal as timed by said oscillations;

a narrow bandpass, finite-impulse-response (FIR), first digital filter centered at a frequency that is a subharmonic of the symbol rate of said symbol code having substantial strength, said first digital filter connected for supplying a first digital filter response to said baseband digital samples of symbol code, which said first digital filter response contains said subharmonic of the symbol rate of said symbol code;

a frequency multiplier for supplying, in response to said first digital filter response, a frequency multiplier response that contains a multiple of said subharmonic of the symbol rate of said symbol code; and

automatic-frequency-and-phase-control circuitry responsive to said multiple of said subharmonic of the symbol rate of said symbol code in said frequency multiplier response and to a signal derived from the oscillations of said controlled oscillator for developing an automatic-frequency-and-phase-control (AFPC) signal for said controlled oscillator.

**28.** A DTV signal receiver as set forth in claim **27**, wherein said controlled oscillator is of a type supplying cissoidal oscillations at a frequency twice symbol frequency, and wherein said circuitry for supplying said first sample clock signal as timed by said oscillations comprises:

clipper circuitry for symmetrically clipping said cissoidal oscillations to generate essentially square waves of said frequency twice symbol frequency, used as said first sample clock signal.

**29.** A DTV signal receiver as set forth in claim **28**, wherein said sample clock generator further comprises:

a flip-flop connected as a frequency divider for responding to said essentially square waves of said frequency twice symbol frequency to generate square waves of said symbol frequency, said signal derived from the oscillations of said controlled oscillator that said automatic-frequency-and-phase-control circuitry is responsive corresponding to said square waves of said symbol frequency.

**30.** A DTV signal receiver as set forth in claim **29**, further comprising:

a 2:1 decimator responsive to said baseband digital samples of symbol code from the DTV signal for supplying an output signal with half as many samples therein;

a channel equalization filter responsive to the output signal from said 2:1 decimator; and

an AND gate included in said sample clock generator for generating an AND response to said essentially square waves of said frequency twice symbol frequency from said clipper circuitry and to said square waves of said



39

symbol frequency from said flip-flop, said AND response being supplied as a second sample clock frequency to said 2:1 decimator for timing the samples in the output signal from said 2:1 decimator.

31. A DTV signal receiver as set forth in claim 30, wherein said frequency multiplier comprises:

a first squaring circuit for squaring said first digital filter response to develop a squared first digital filter response containing second harmonics of the components of said first digital filter response; and

a narrow bandpass, finite-impulse-response (FIR), second digital filter centered at a frequency that corresponds to the symbol rate of said symbol code, said second digital filter connected for filtering said squared first digital filter response for supplying a second digital filter response.

32. A DTV signal receiver as set forth in claim 31, wherein said second digital filter response is applied to said automatic-frequency-and-phase-control circuitry as said multiple of said subharmonic of the symbol rate of said symbol code in said frequency multiplier response.

33. A DTV signal receiver as set forth in claim 31, wherein said frequency multiplier further comprises:

a second squaring circuit for squaring said second digital filter response to develop a squared second digital filter response containing second harmonics of the components of said second digital filter response; and

a narrow bandpass, finite-impulse-response (FIR), third digital filter centered at a frequency that corresponds to twice the symbol rate of said symbol code, said third digital filter connected for filtering said squared second digital filter response for supplying a third digital filter response applied to said automatic-frequency-and-phase-control circuitry as said multiple of said subharmonic of the symbol rate of said symbol code in said frequency multiplier response.

34. A DTV signal receiver as set forth in claim 27, wherein said frequency multiplier comprises:

a first squaring circuit for squaring said first digital filter response to develop a squared first digital filter response containing second harmonics of the components of said first digital filter response; and

a narrow bandpass, finite-impulse-response (FIR), second digital filter centered at a frequency that corresponds to the symbol rate of said symbol code, said second digital filter connected for filtering said squared first digital filter response for supplying a second digital filter response.

35. A DTV signal receiver as set forth in claim 34, wherein said second digital filter response is applied to said automatic-frequency-and-phase-control circuitry as said multiple of said subharmonic of the symbol rate of said symbol code in said frequency multiplier response.

36. A DTV signal receiver as set forth in claim 34, wherein said frequency multiplier further comprises:

a second squaring circuit for squaring said second digital filter response to develop a squared second digital filter response containing second harmonics of the components of said second digital filter response; and

a narrow bandpass, finite-impulse-response (FIR), third digital filter centered at a frequency that corresponds to twice the symbol rate of said symbol code, said third digital filter connected for filtering said squared second digital filter response for supplying a third digital filter response applied to said automatic-frequency-and-phase-control circuitry as said multiple of said subhar-

40

monic of the symbol rate of said symbol code in said frequency multiplier response.

37. A digital television (DTV) signal receiver for receiving a plurality of DTV signal formats having different symbol rates, comprising:

a radio receiver portion for selecting a channel for reception and generating a baseband signal of said selected channel;

an analog-to-digital converter (ADC) included in said radio receiver portion for sampling one of said signals therein and digitizing it, so that said baseband signal is supplied from said radio receiver portion as a first stream of digital samples descriptive of said baseband signal;

a sample clock generator for supplying a sample clock signal to time the sampling by said ADC so that said first stream of digital samples has a predetermined sample rate which is greater than the symbol rate of the received DTV signal;

a decimator connected for receiving said first stream of digital samples and generating in response thereto a second stream of digital samples, wherein the rate of generation of said second stream of digital samples is substantially equal to said symbol rate of said received DTV signal when its format is of a first type and wherein said rate of generations of said second stream of digital samples is a multiple of said symbol rate of said received DTV signal when its format is of a second type;

a channel equalizer for performing channel equalization on said second stream of digital samples to generate a channel equalizer response; and

symbol decoding circuitry for decoding symbols in said channel equalizer response, as corrected for symbol phase error, to recover groups of bits corresponding to decoded symbols.

38. A DTV signal receiver as claimed in claim 37, wherein said first type of DTV signal format is the VSB type and said second type of DTV signal format is the QAM type.

39. A DTV signal receiver as claimed in claim 37, wherein a single channel equalizer generates said channel equalizer response in accordance with the type of said DTV signal format received.

40. A DTV signal receiver as set forth in claim 1, further comprising:

a sample clock generator for supplying a sample clock signal to time the sampling by said ADC so that said first stream of digital samples has a sample rate substantially equal to a prescribed multiple  $MN$  times the symbol rate of said DTV signal,  $MN$  being the product of a positive number  $M$  greater than one and of a positive integer  $N$  at least two.

41. A DTV signal receiver as claimed in 37, wherein the rate of generation of said second stream of digital samples is an integer multiple of said symbol rate.

42. A digital television (DTV) signal receiver for receiving a plurality of DTV signal formats having different symbol rates, comprising:

a radio receiver portion for selecting a channel for reception and generating a baseband signal of said selected channel;

an analog-to-digital converter (ADC) included in said radio receiver portion for sampling one of said signals therein and digitizing it, so that said baseband signal is supplied from said radio receiver portion as a first stream of digital samples descriptive of said baseband signal;



41

a sample clock generator for supplying a sample clock signal to time the sampling by said ADC so that said first stream of digital samples has a predetermined sample rate which is greater than the symbol rate of the received DTV signal;

a decimator connected for receiving said first stream of digital samples and generating in response thereto a second stream of digital samples, wherein the rate of generation of said second stream digital samples is substantially equal to said symbol rate of said received DTV signal when its format is of a first type and wherein the rate generation of said second stream of digital samples is equal to said symbol rate multiplied by a factor other than an integer when the format of said received DTV signal is of a second type;

a channel equalizer for performing channel equalization on said second stream of digital samples to generate a channel equalizer response; and

symbol decoding circuitry for decoding symbols in said channel equalizer response, as corrected for symbol phase error, to recover groups of bits corresponding to decoded symbols.

43. A digital television (DTV) signal receiver for receiving a plurality of DTV signal formats having different symbol rates, comprising:

a radio receiver portion for selecting a channel for reception and generating a baseband signal of said selected channel;

an analog-to-digital converter (ADC) included in said radio receiver portion for sampling one of said signals therein and digitizing it, so that said baseband signal is supplied from said radio receiver portion as a first stream of digital samples descriptive of said baseband signal;

a sample clock generator for supplying a sample clock signal to time the sampling by said ADC so that said first stream of digital samples has a predetermined sample rate which is greater than the symbol rate of the received DTV signal;

a decimator connected for receiving said first stream of digital samples and generating in response thereto a second stream of digital samples, wherein the rate of generation of said second stream of digital samples is substantially equal to said symbol rate of said received DTV signal when its format is of a first type and wherein said rate of generation of said second stream of digital sample is higher than said symbol rate of said received DTV signal when its format is of a second type;

a channel equalizer for performing channel equalization on said second stream of digital samples to generate a channel equalizer response; and

symbol decoding circuitry for decoding symbols in said channel equalizer response, as corrected for symbol phase error, to recover groups of bits corresponding to decoded symbols.

42

44. A digital television (DTV) signal receiver for receiving a plurality of DTV signal formats having different symbol rates, comprising:

a radio receiver portion for selecting a channel for reception and generating a baseband signal of said selected channel;

an analog-to-digital converter (ADC) included in said radio receiver portion for sampling one of said signals therein and digitizing it, so that said baseband signal is supplied from said radio receiver portion as a first stream of digital samples descriptive of said baseband signal;

a sample clock generator for supplying a sample clock signal to time the sampling by said ADC so that said first stream of digital samples has a predetermined sample rate which is greater than both a first symbol rate of the received DTV signal when its format is of a first type and a second symbol rate of the received DTV signal when its format is of a second type;

a decimator connected for receiving said first stream of digital samples and generating in response thereto a second stream of digital samples, wherein the rate of generation of said second stream of digital samples is substantially equal to a multiple of both said first and second symbol rates;

a channel equalizer for performing channel equalization on said second stream of digital samples to generate a channel equalizer response;

first symbol decoding circuitry, operative when the format of said received DTV signal is of said first type, for decoding symbols in said channel equalizer response to recover groups of bits corresponding to decoded symbols as a first symbol decoding circuitry response; and

second symbol decoding circuitry, operative when the format of said received DTV signal is of said second type, for decoding symbols in said channel equalizer response to recover groups of bits corresponding to decoded symbols as a second symbol decoding circuitry response.

45. A DTV signal receiver as claimed in claim 44, wherein the rate of generation of said second stream of digital samples is substantially equal to the symbol rate of the received DTV signal when its format is of said first type and is a higher multiple of the symbol rate of the received DTV signal when its format is of said second type.

46. A DTV signal receiver as claimed in claim 44, wherein said channel equalizer has adjustable weighting coefficients, which are adjusted by decision-directed equalization responsive to said first symbol decoding circuitry response when the format of said received DTV signals is of said first type, and which are adjusted by decision-directed equalization responsive to said second symbol decoding circuitry response when the format of said received DTV signal is of said second type.

\* \* \* \* \*