



US00RE38243E

(19) **United States**
(12) **Reissued Patent**
Oe et al.

(10) **Patent Number:** **US RE38,243 E**
(45) **Date of Reissued Patent:** **Sep. 2, 2003**

(54) **PLANE LIGHT SOURCE UNIT**

FOREIGN PATENT DOCUMENTS

(75) Inventors: **Makoto Oe**, Tama (JP); **Ithusei Chiba**, Kawasaki (JP)
(73) Assignee: **Mitsubishi Rayon Co., Ltd.**, Tokyo (JP)
(21) Appl. No.: **08/887,112**
(22) Filed: **Jul. 2, 1997**

EP	0167721	* 11/1985
EP	0 167 721	1/1986
GB	1133367	8/1966
JP	48-22680	7/1973
JP	53-57068	5/1978
JP	56-139101	3/1981
JP	56-111804	9/1981
JP	58-159317	* 9/1983

OTHER PUBLICATIONS

Related U.S. Patent Documents

Reissue of:

(64) Patent No.: **5,126,882**
Issued: **Jun. 30, 1992**
Appl. No.: **07/269,723**
Filed: **Nov. 10, 1988**

IBM Technical Disclosure Bulletin, vol. 29, No. 11, Apr. 1987, pp. 4838-4839, New York, N.Y., "Backlighting for liquid crystal display".*

3M Scotch™ Optical Lighting Film Application Bulletin, Nov. 1998 (preliminary).

U.S. Applications:

(63) Continuation of application No. 08/267,380, filed on Jun. 29, 1994, now Pat. No. Re. 35,704.

Primary Examiner—Hung Xuan Dang

(74) *Attorney, Agent, or Firm*—Morgan, Lewis & Bockius LLP

(30) **Foreign Application Priority Data**

Nov. 12, 1987 (JP) 62-284289
Jun. 2, 1988 (JP) 63-134393

(57) **ABSTRACT**

(51) **Int. Cl.**⁷ **G02B 27/00; G02F 1/1335**
(52) **U.S. Cl.** **359/619; 359/36; 359/40**
(58) **Field of Search** **359/619, 36, 40, 359/618, 636, 638**

A plane light source unit is provided which comprises a first element having a light incident face at least at one side end thereof and a first light emitting surface extending perpendicularly to the light incident face, the first element further having a reflecting layer provided on a surface thereof opposite to the first light emitting surface, and a second element having a light incident surface which receives the light emitted by the first element and a second light emitting surface through which light is emitted in a predetermined direction, the first light emitting surface and/or the opposite surface of the first element having a directive function to cause incident light through the light incident face to emit through the first light emitting surface in a direction oblique to the direction of the light, the second element having a large number of prism units formed on the light incident surface thereof. The plane light source unit is advantageously used as a backlighting means for a liquid crystal display device or the like.

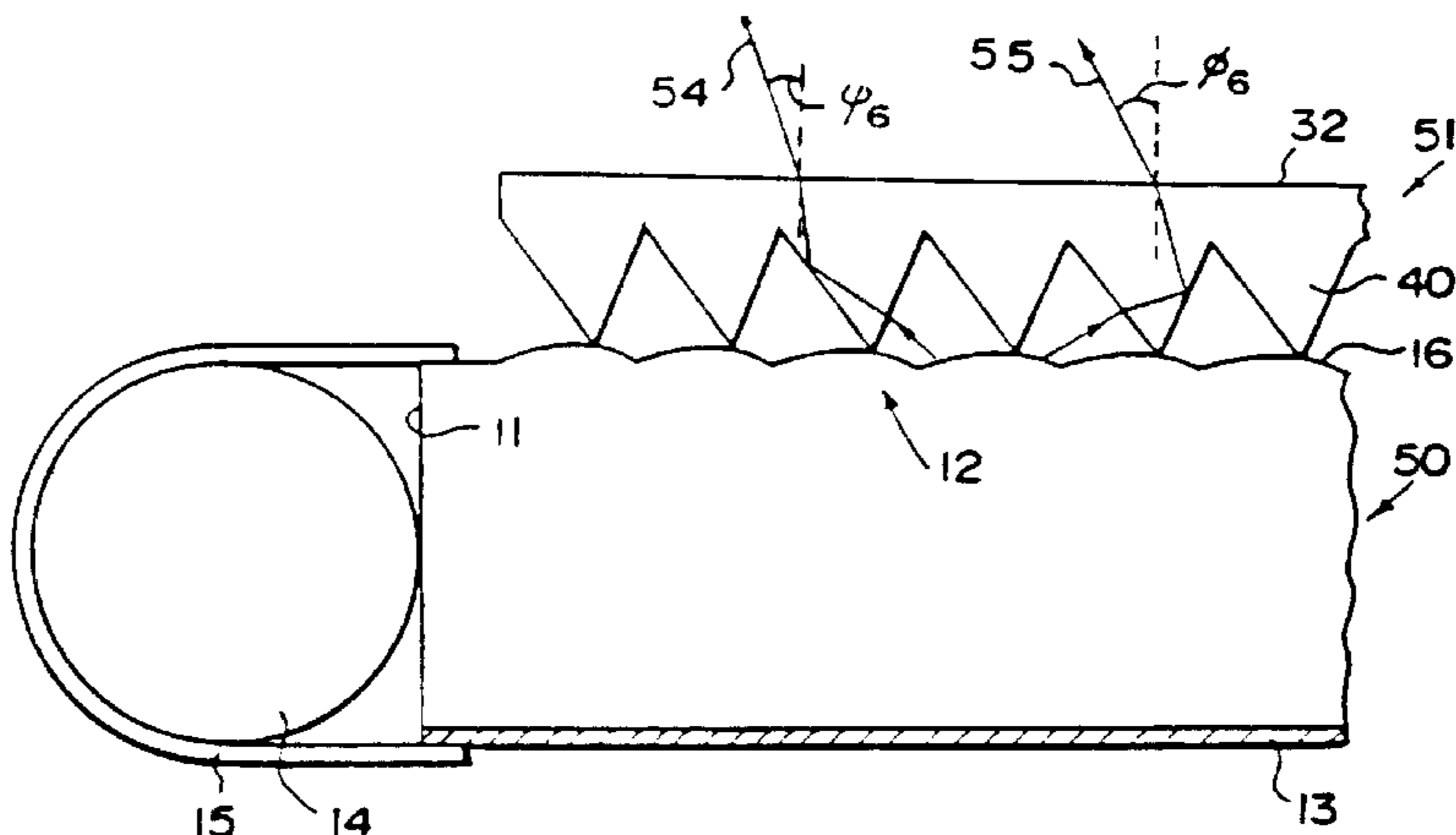
(56) **References Cited**

U.S. PATENT DOCUMENTS

1,535,985 A	*	4/1925	Clark	
2,175,067 A		10/1939	Rolph	240/106
2,248,638 A		7/1941	Merton	156/10
2,351,034 A		6/1944	Gabor	88/1
2,855,523 A	*	10/1958	Berger	250/216
3,222,515 A		12/1965	Orr	240/106
3,740,119 A	*	6/1973	Sakurai et al.	350/167
3,840,695 A	*	10/1974	Fischer	358/61
3,972,593 A		8/1976	Appeldorn et al.	350/211

(List continued on next page.)

58 Claims, 34 Drawing Sheets



US RE38,243 E

Page 2

U.S. PATENT DOCUMENTS

4,043,636 A *	8/1977	Eberhardt et al.	350/160	4,704,004 A	11/1987	Nosker	350/345
4,064,433 A	12/1977	Korn	362/330	4,714,983 A *	12/1987	Lang	362/27
4,126,383 A *	11/1978	Doriguzzi et al.	350/338	4,791,540 A	12/1988	Dreyer, Jr. et al.	362/331
4,154,219 A	5/1979	Gupta et al.	126/270	4,798,448 A *	1/1989	van Raalte	350/345
4,242,723 A	12/1980	Fabbri et al.	362/33	4,906,070 A	3/1990	Cobb, Jr.	350/286
4,642,736 A	2/1987	Masuzawa et al.	362/31	4,958,911 A *	9/1990	Beiswenger et al.	350/331
4,660,936 A	4/1987	Nosker	350/339	4,975,807 A	12/1990	Ohashi	362/23
4,686,519 A	8/1987	Yoshida et al.	340/701	5,056,892 A	10/1991	Cobb, Jr.	359/831

* cited by examiner

FIG. 1

PRIOR ART

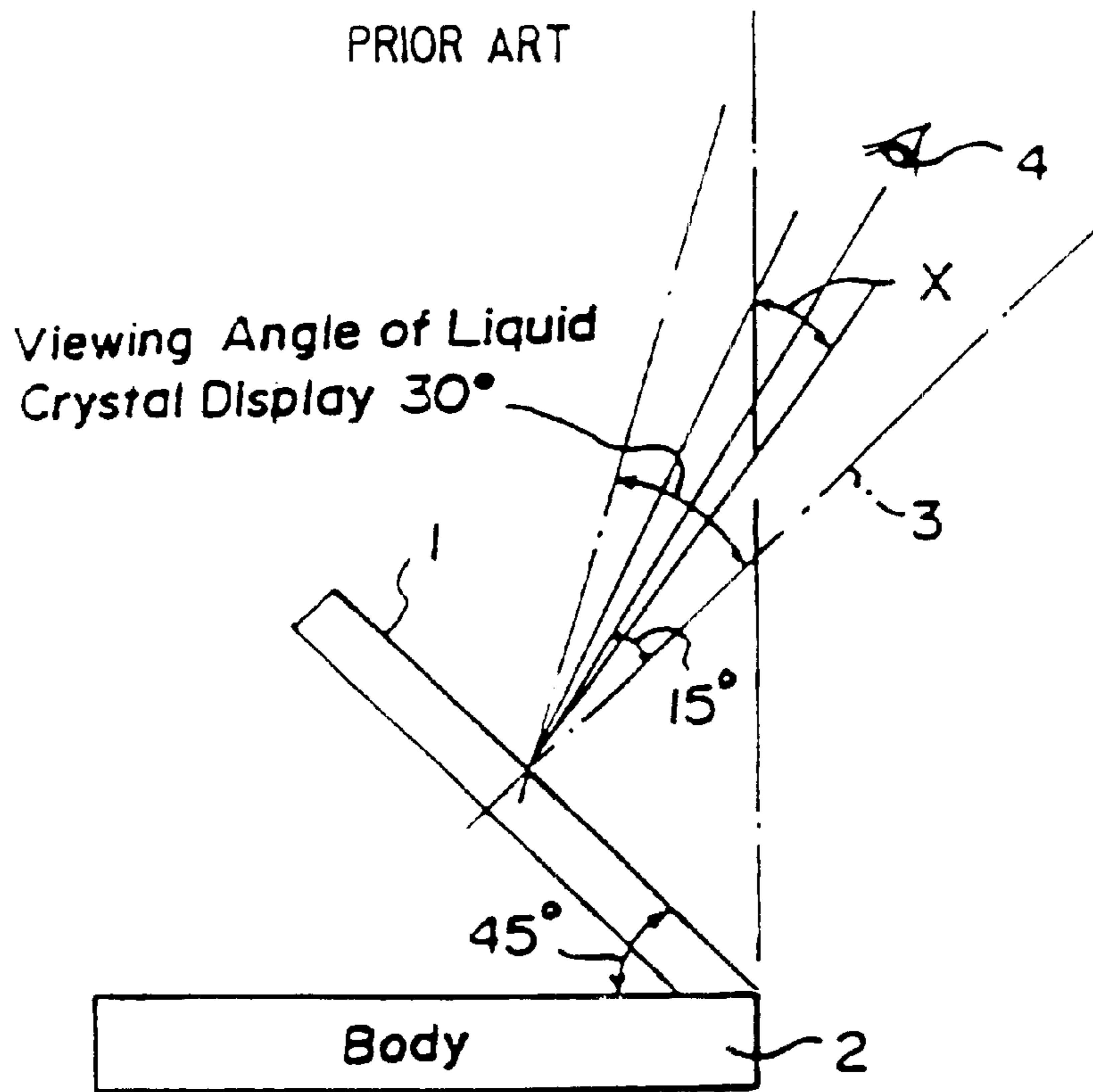


FIG. 2(a) PRIOR ART

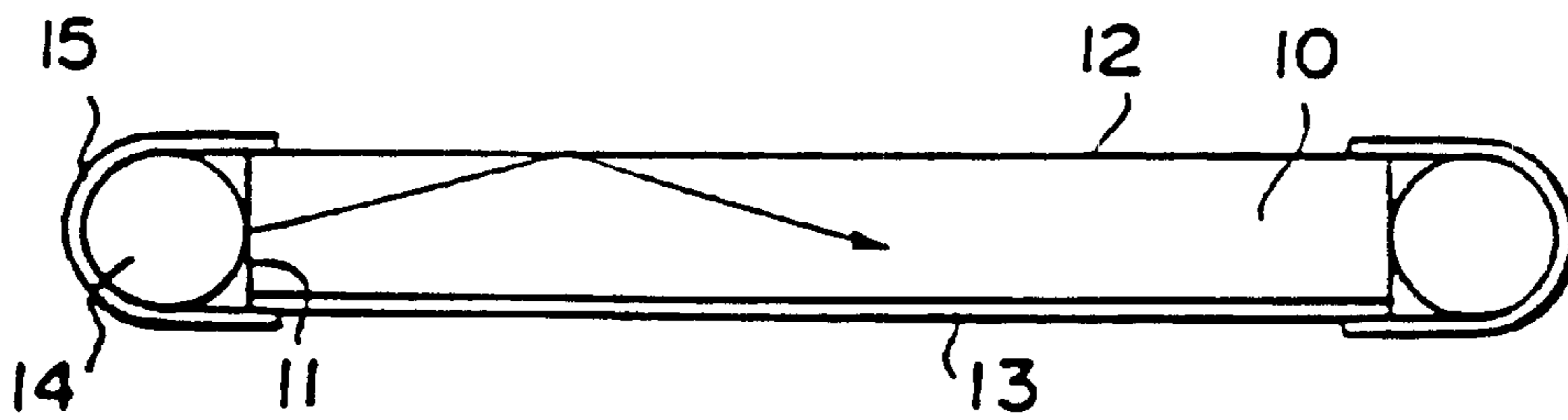


FIG. 2(b) PRIOR ART

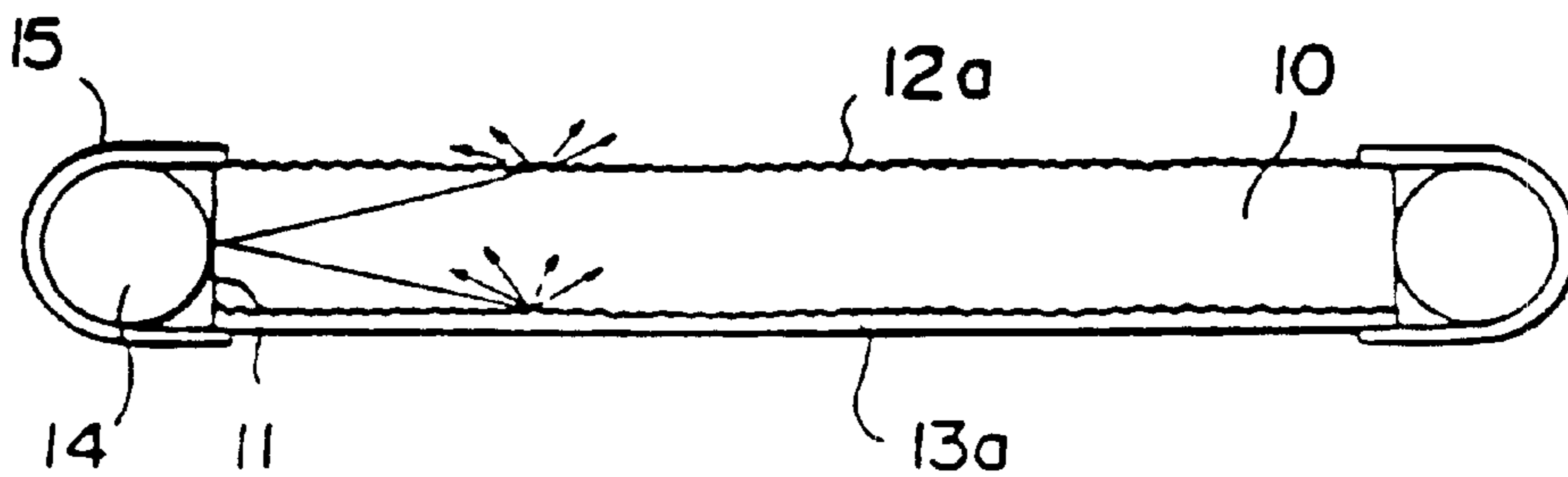


FIG. 3

(a)

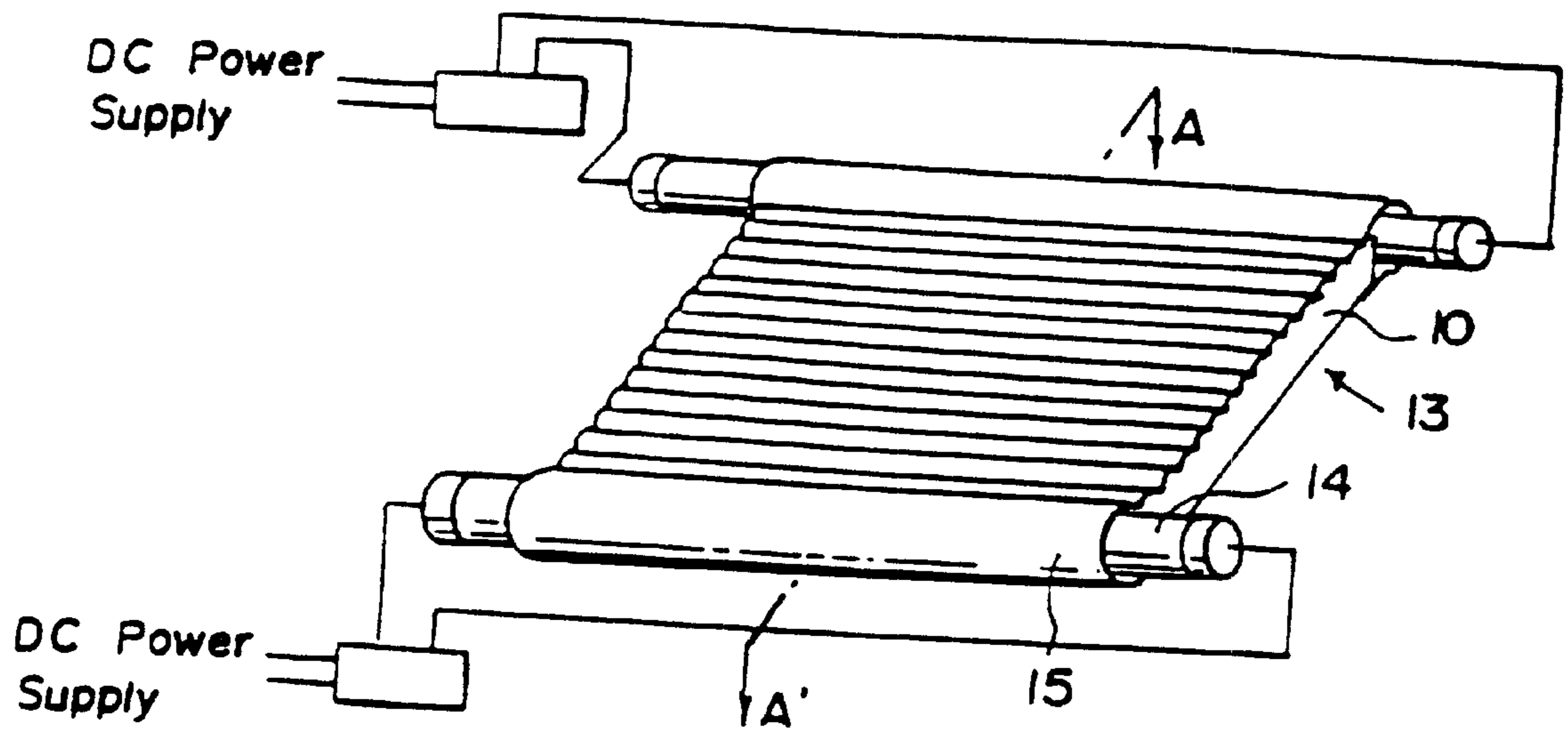


FIG. 3

(b)

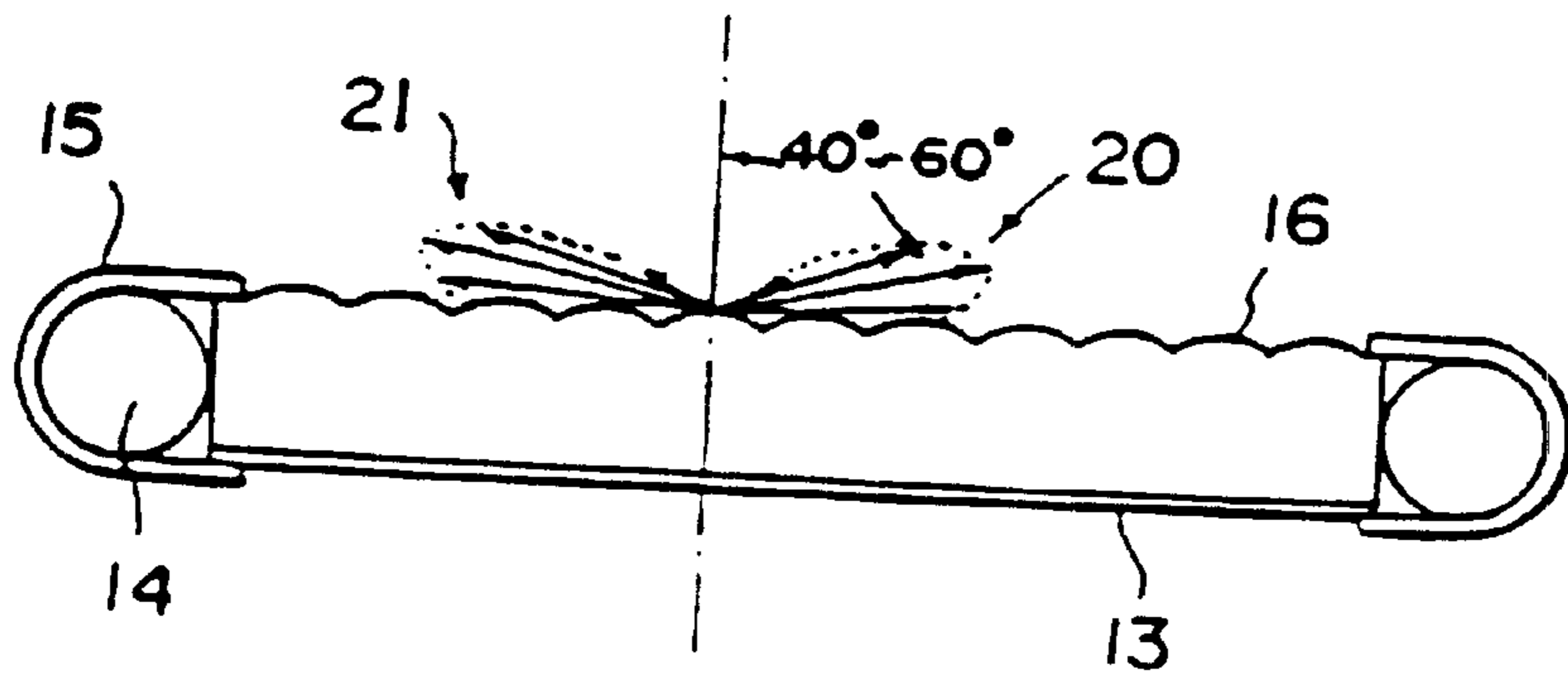


FIG. 4

(a)

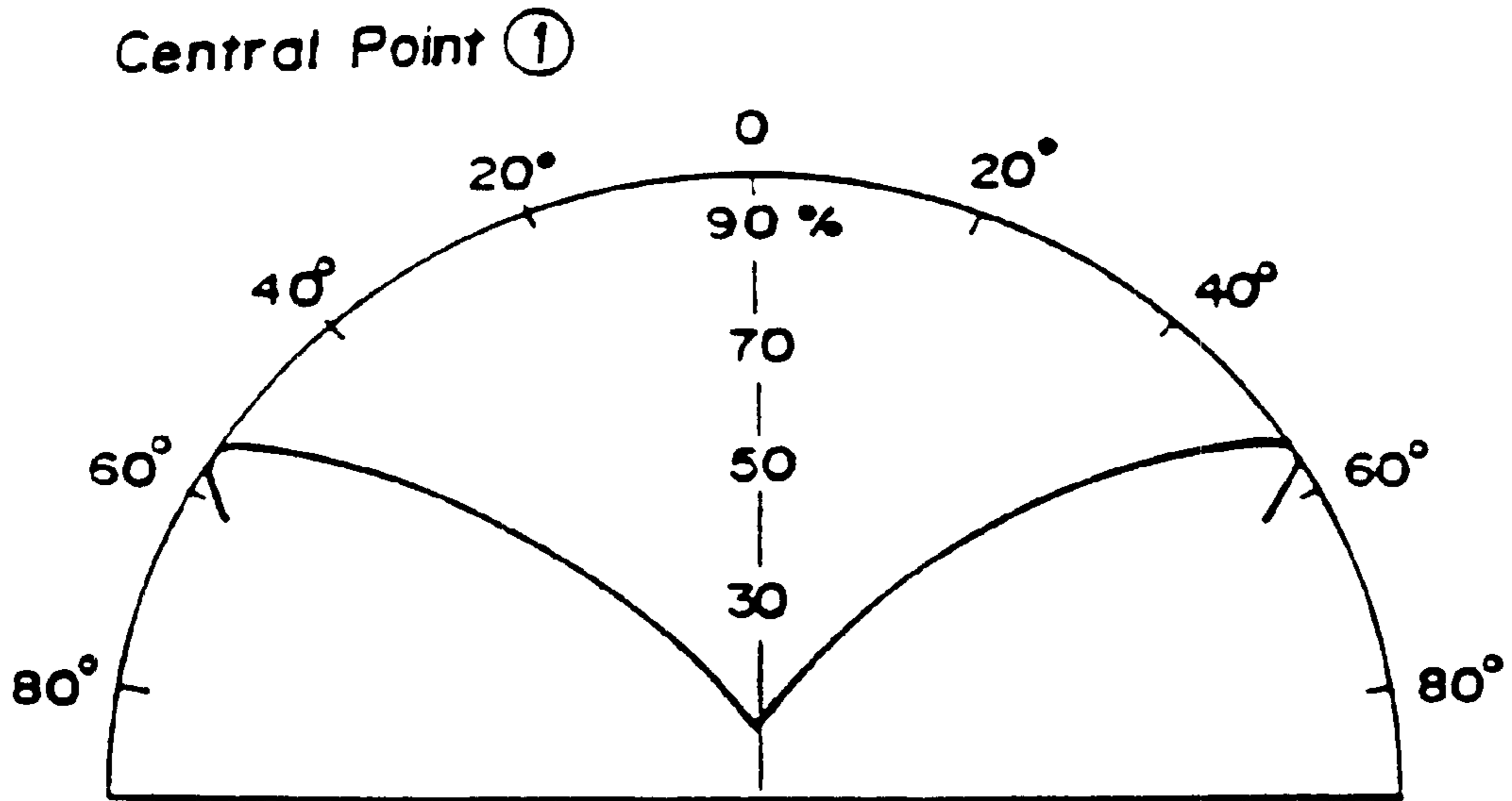


FIG. 4

(b)

10mm Point ② from Lamp

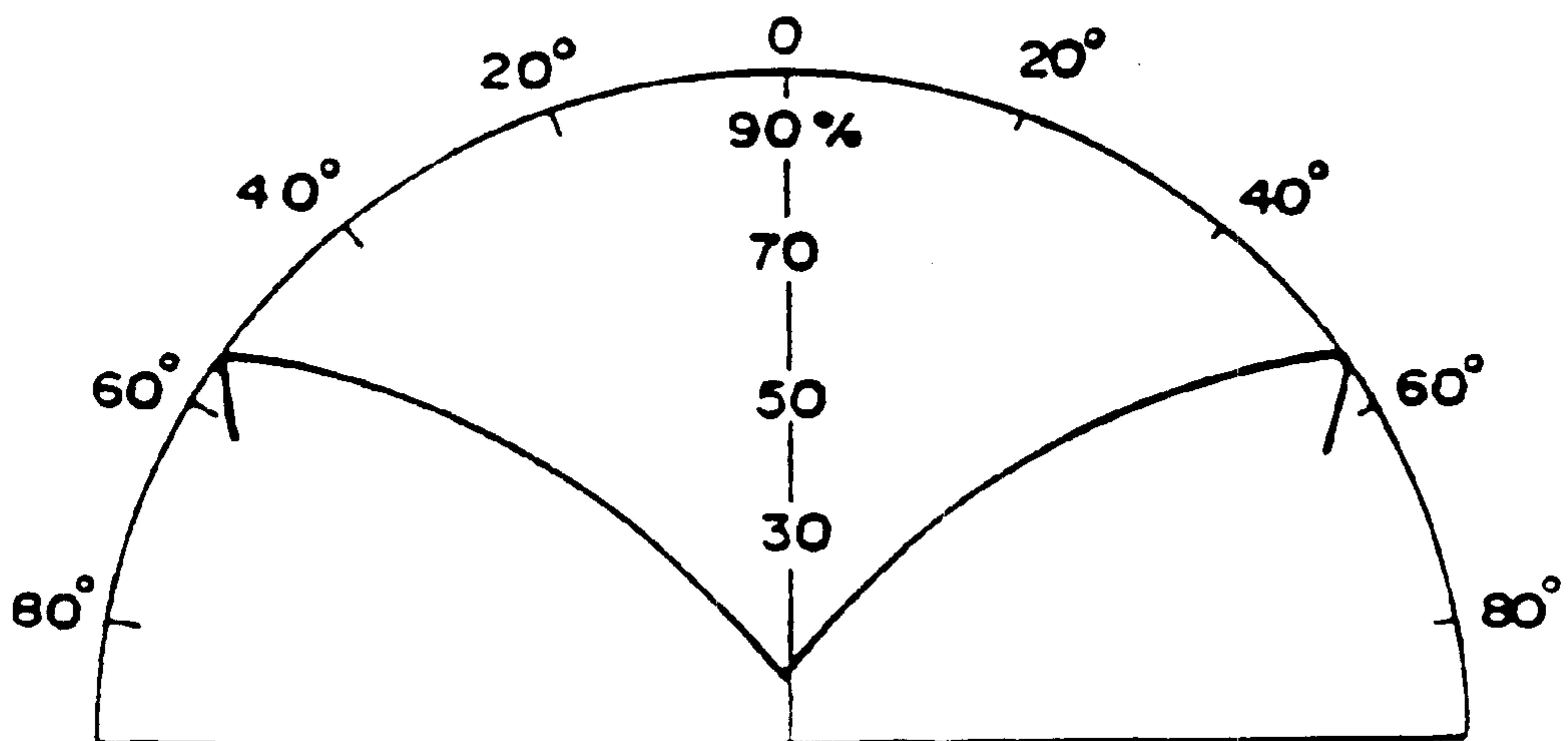


FIG. 5

(a)

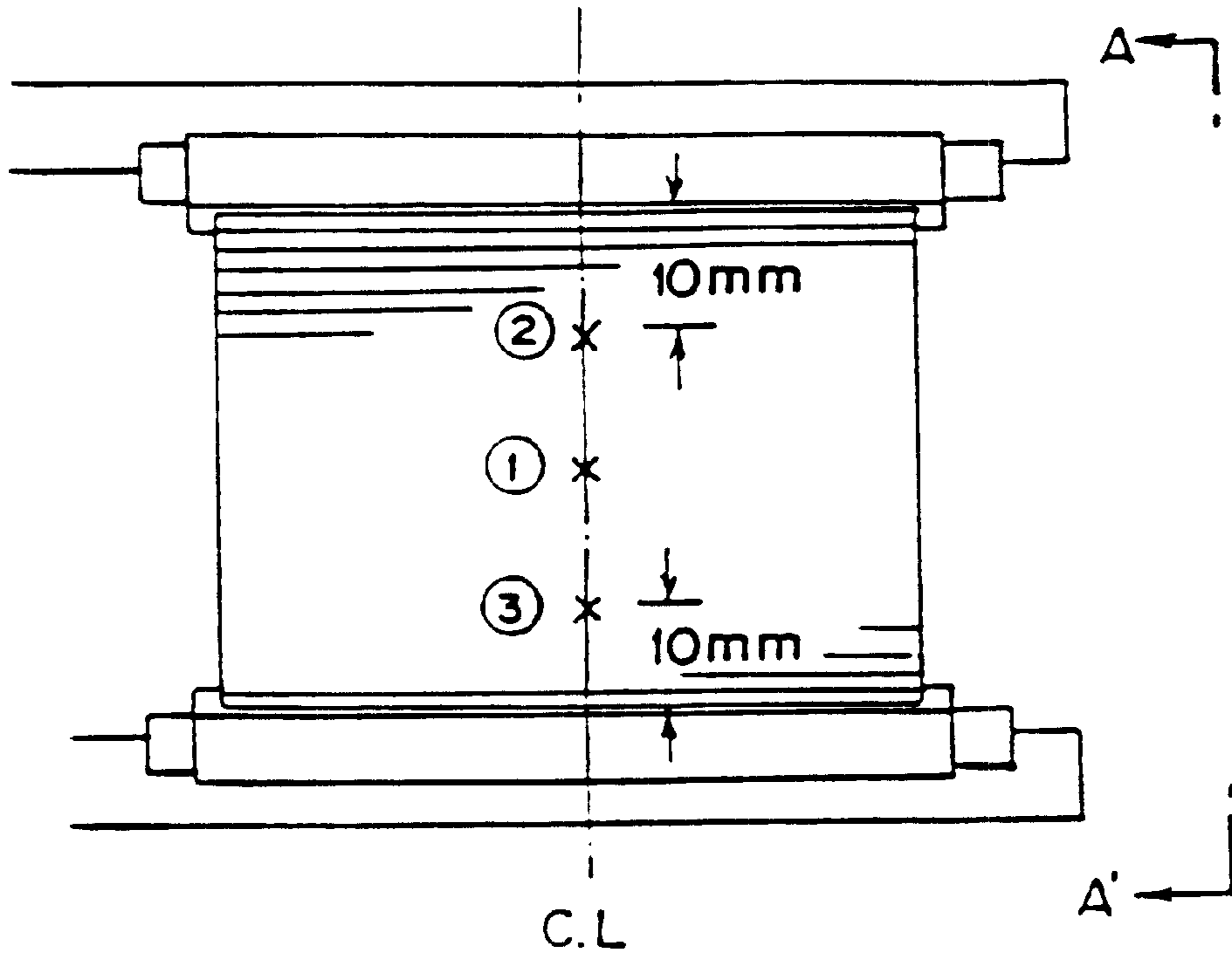


FIG. 5

(b)

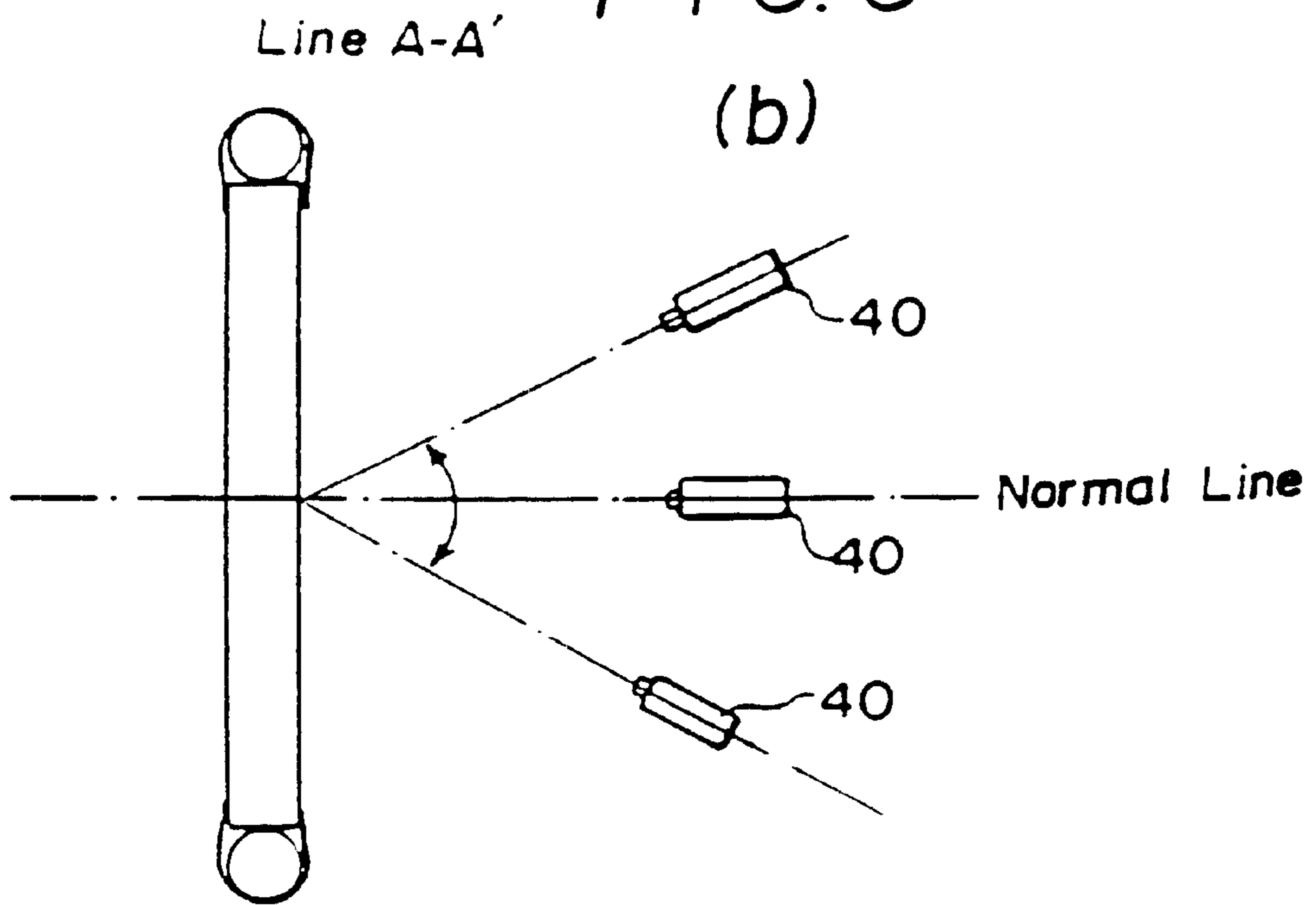


FIG. 6 (a)

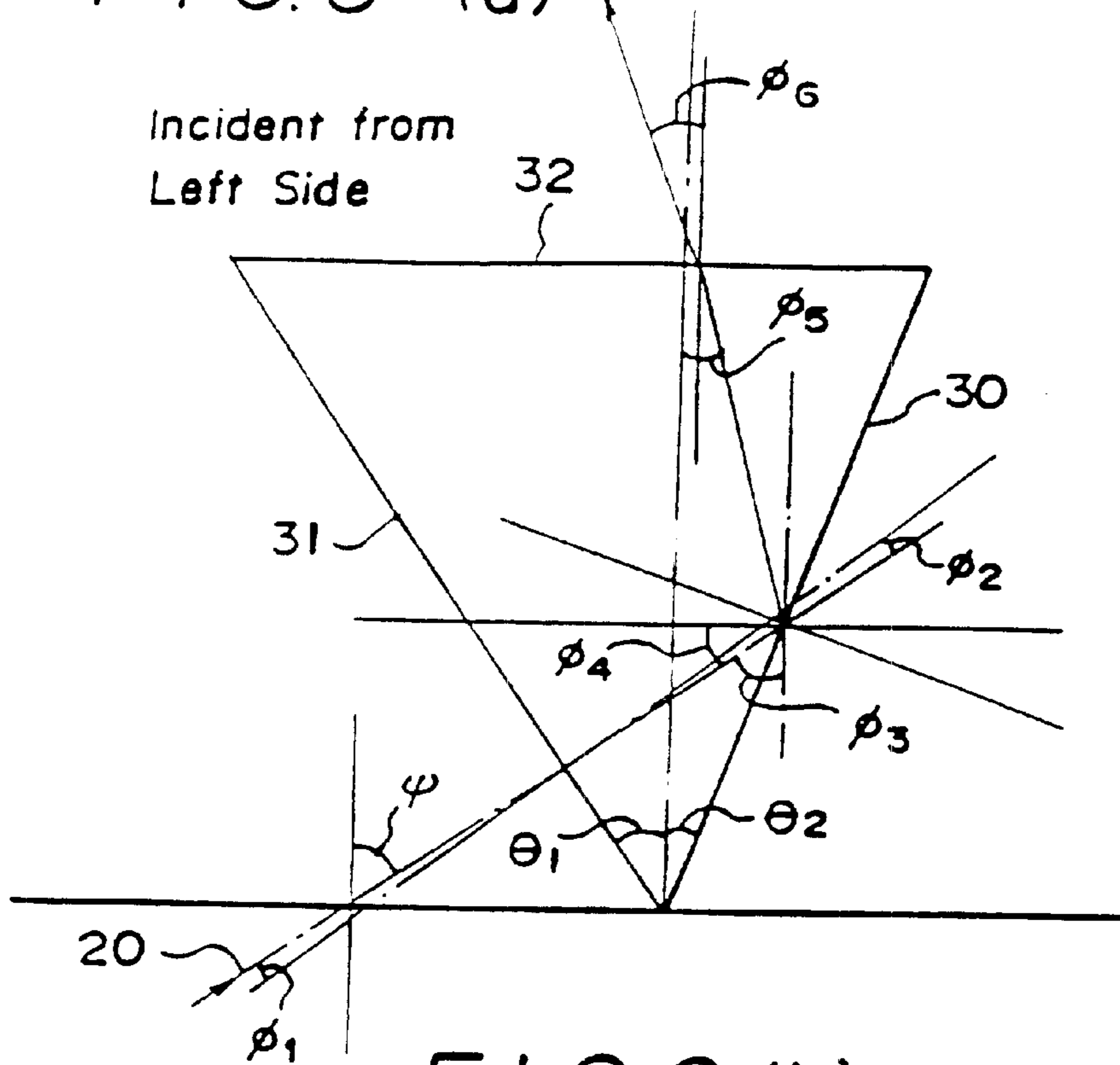


FIG. 6 (b)

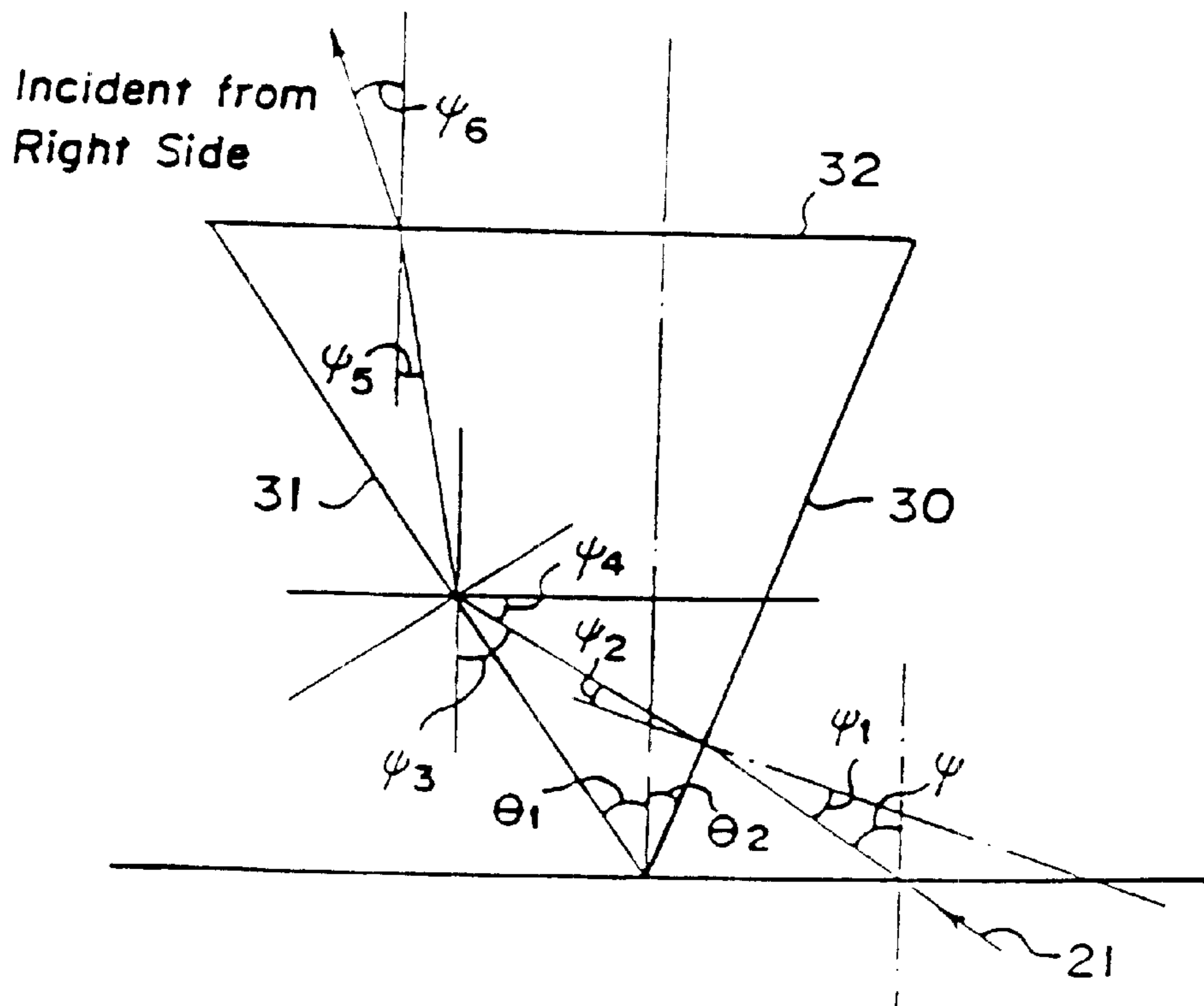


FIG. 7
(a)

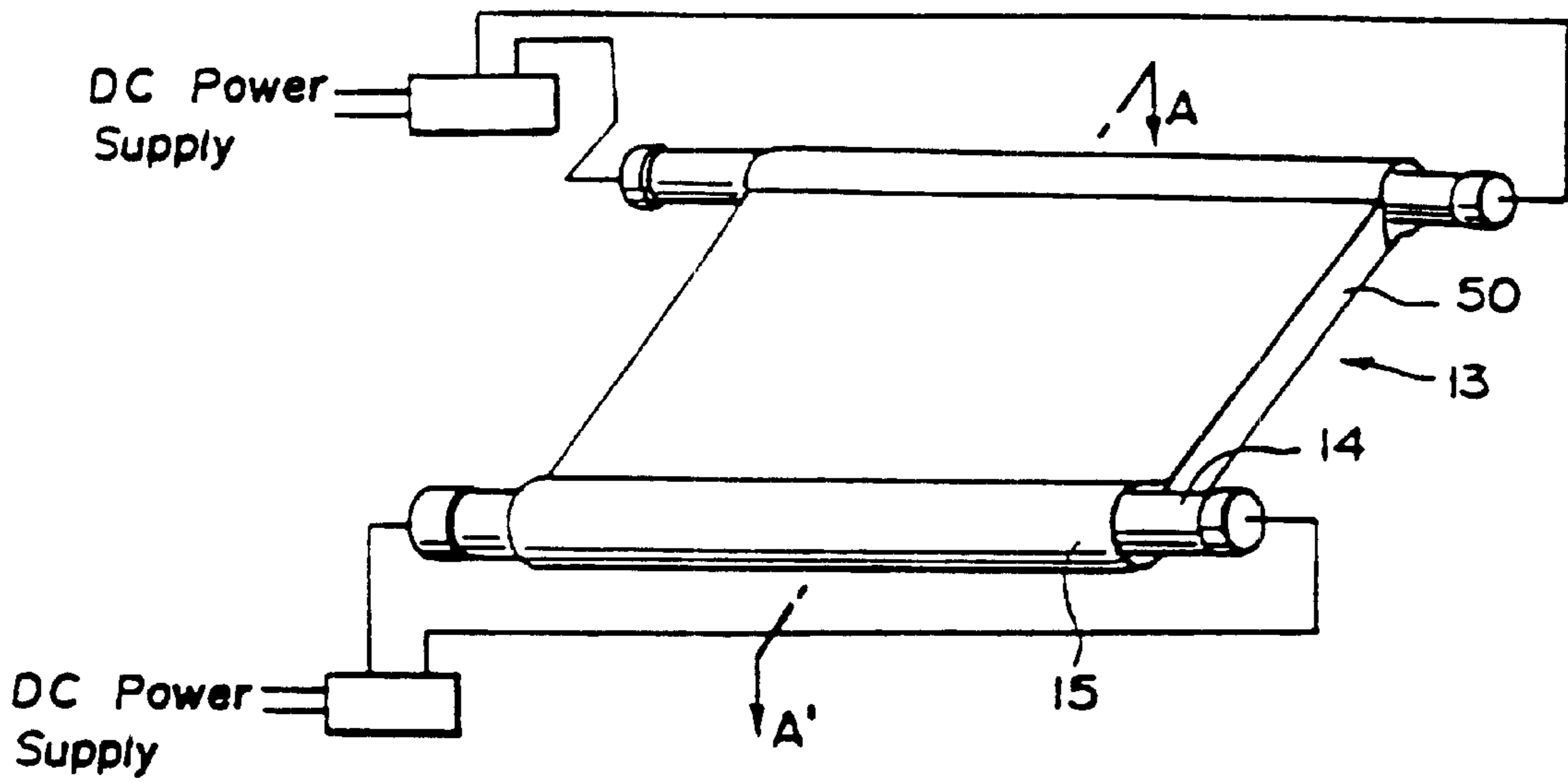


FIG. 7
(b)

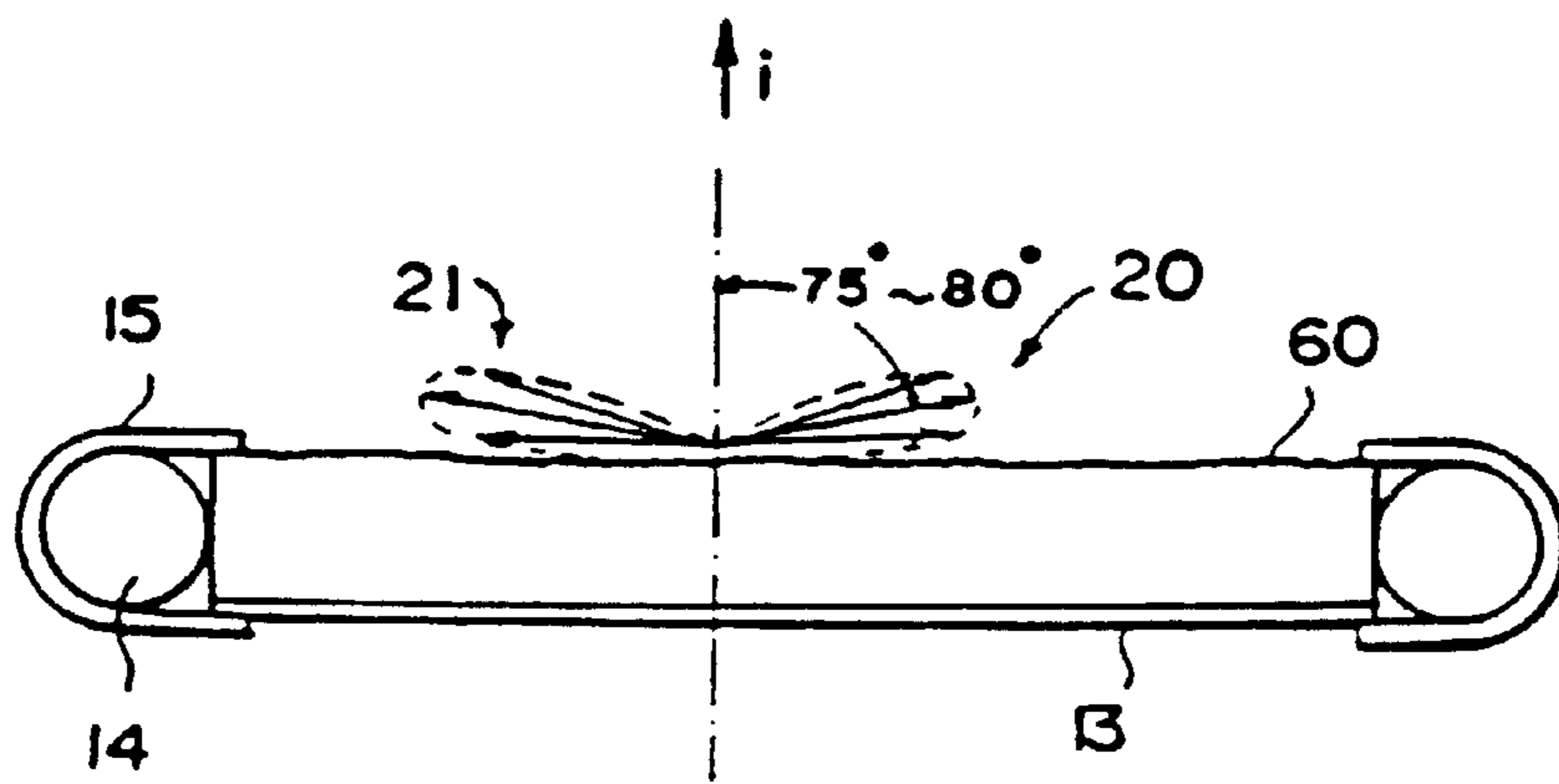


FIG. 8
(a)

Sample-1 Haze 70.8%

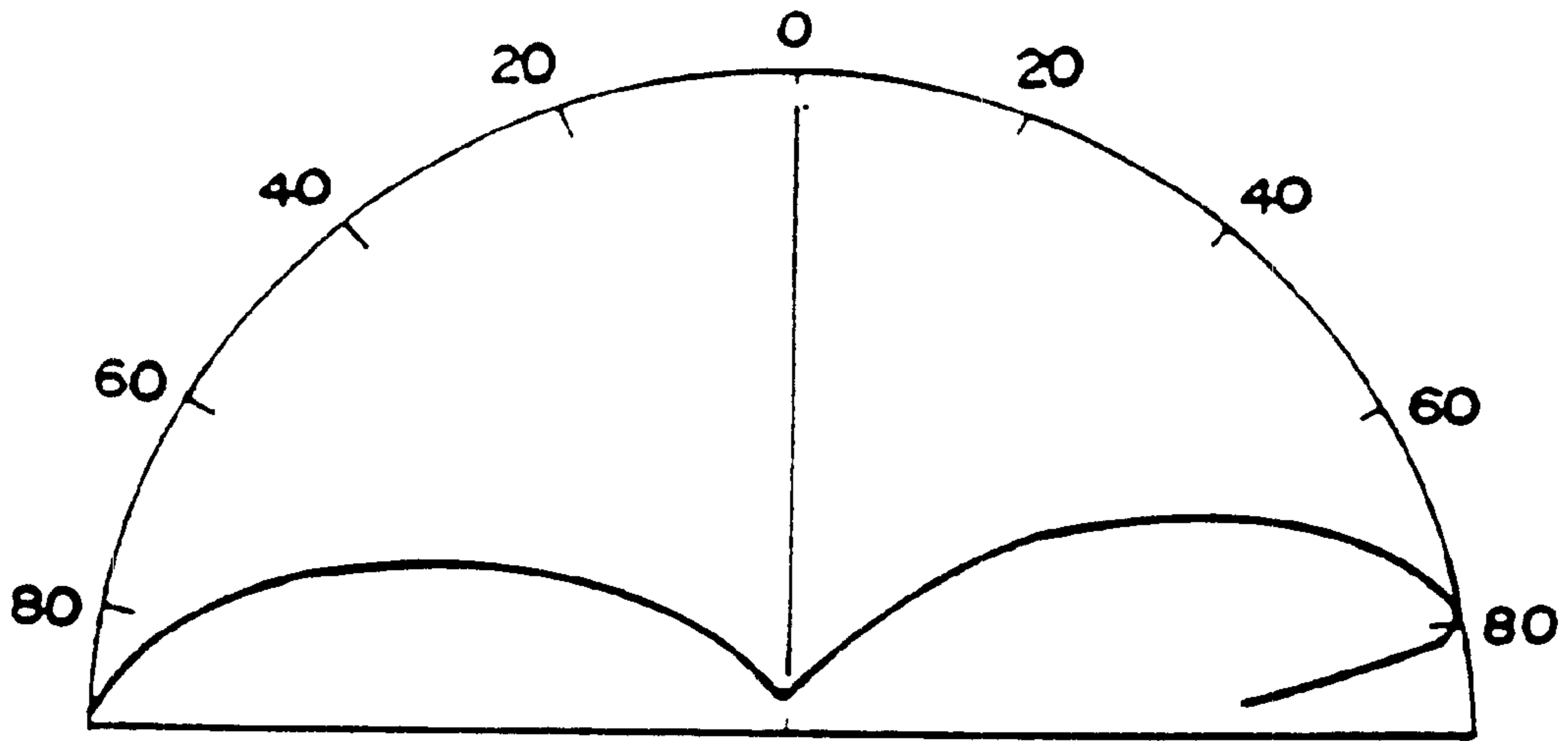


FIG. 8
(b)

Sample-2 Haze 64.8%

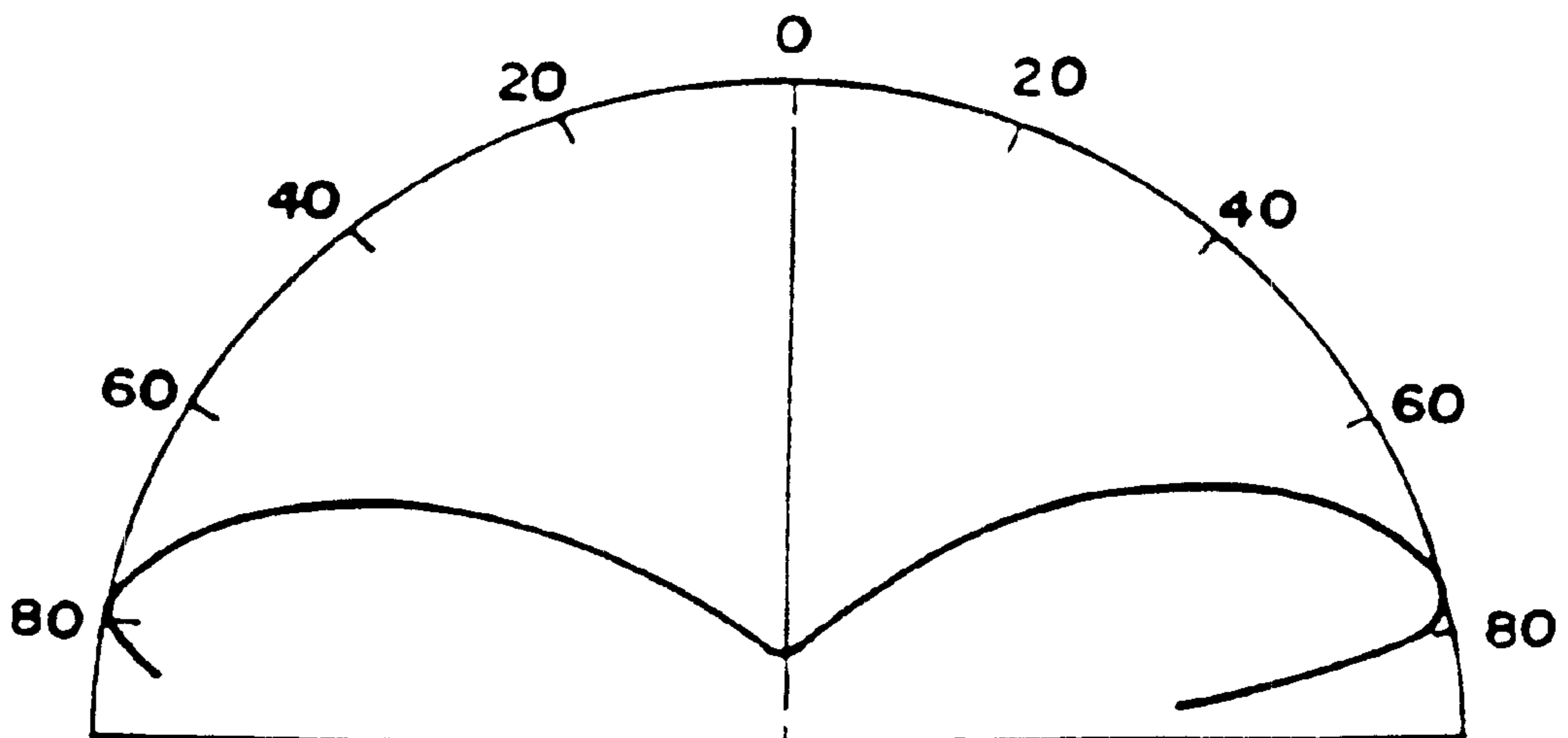


FIG. 8

(c)

Sample-3 Haze 40.8 %

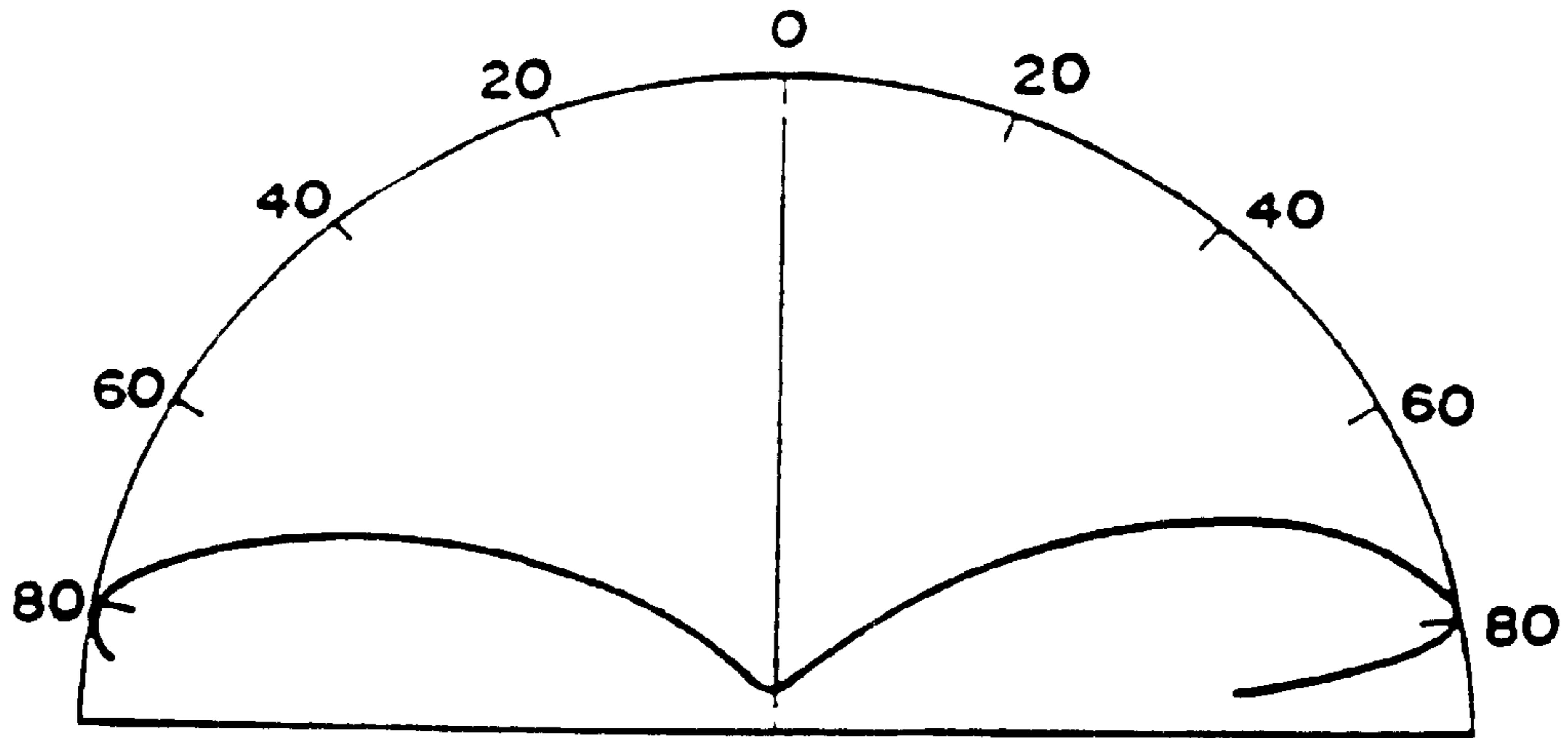


FIG. 8

(d)

Sample-4 Haze 28.8 %

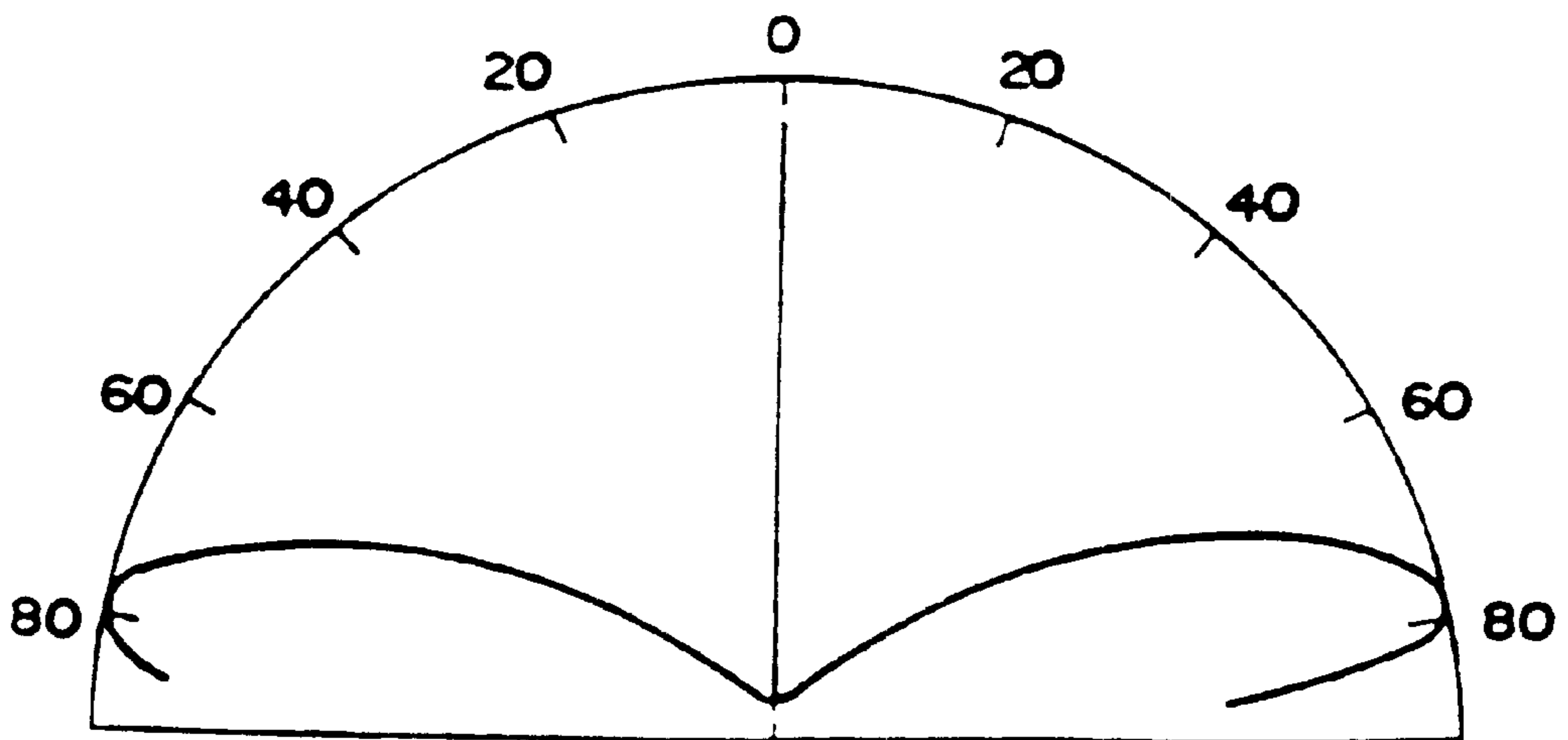


FIG. 8

(e)

Sample - 6 Haze 81.5%

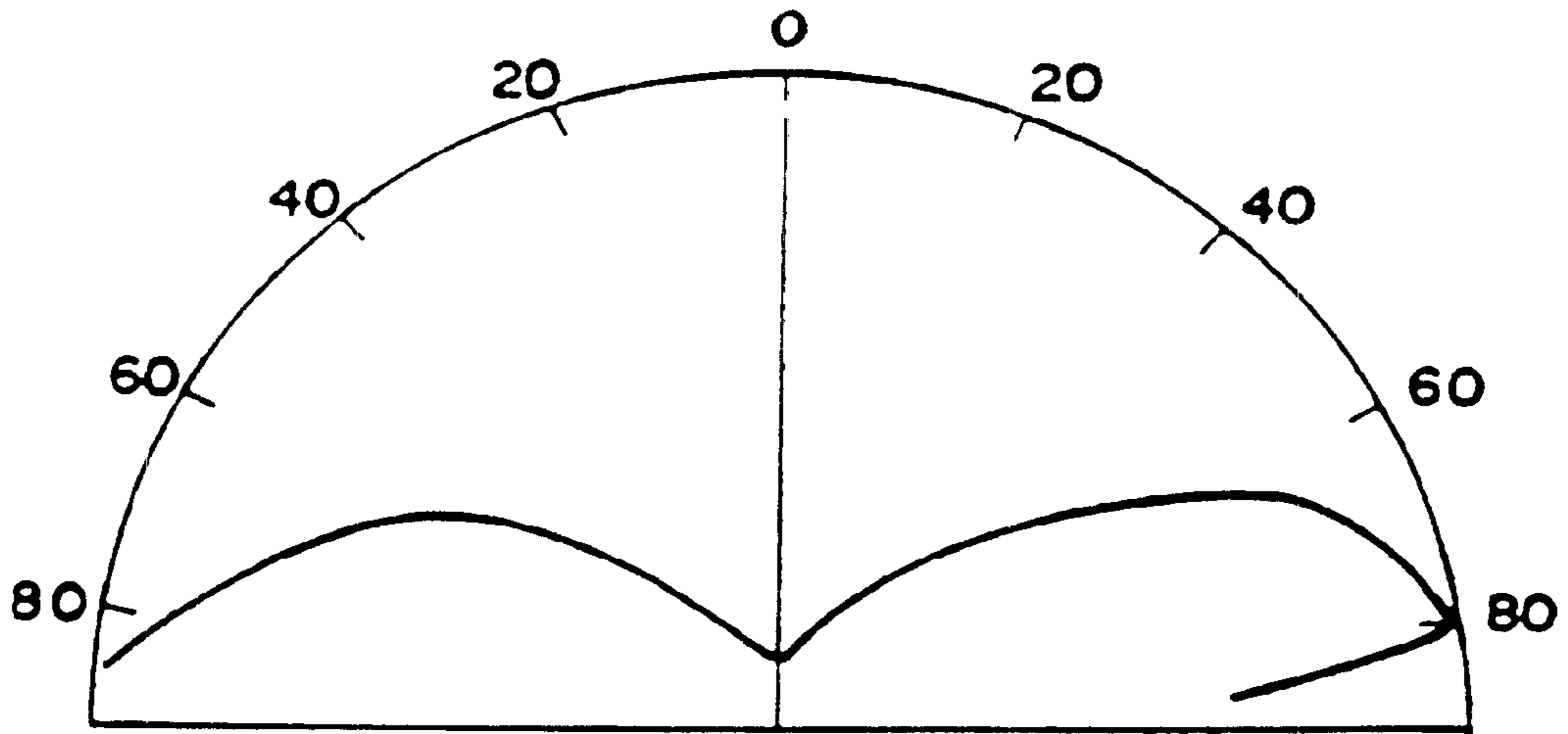


FIG. 8

(f)

Sample - 7 Haze 64.8%

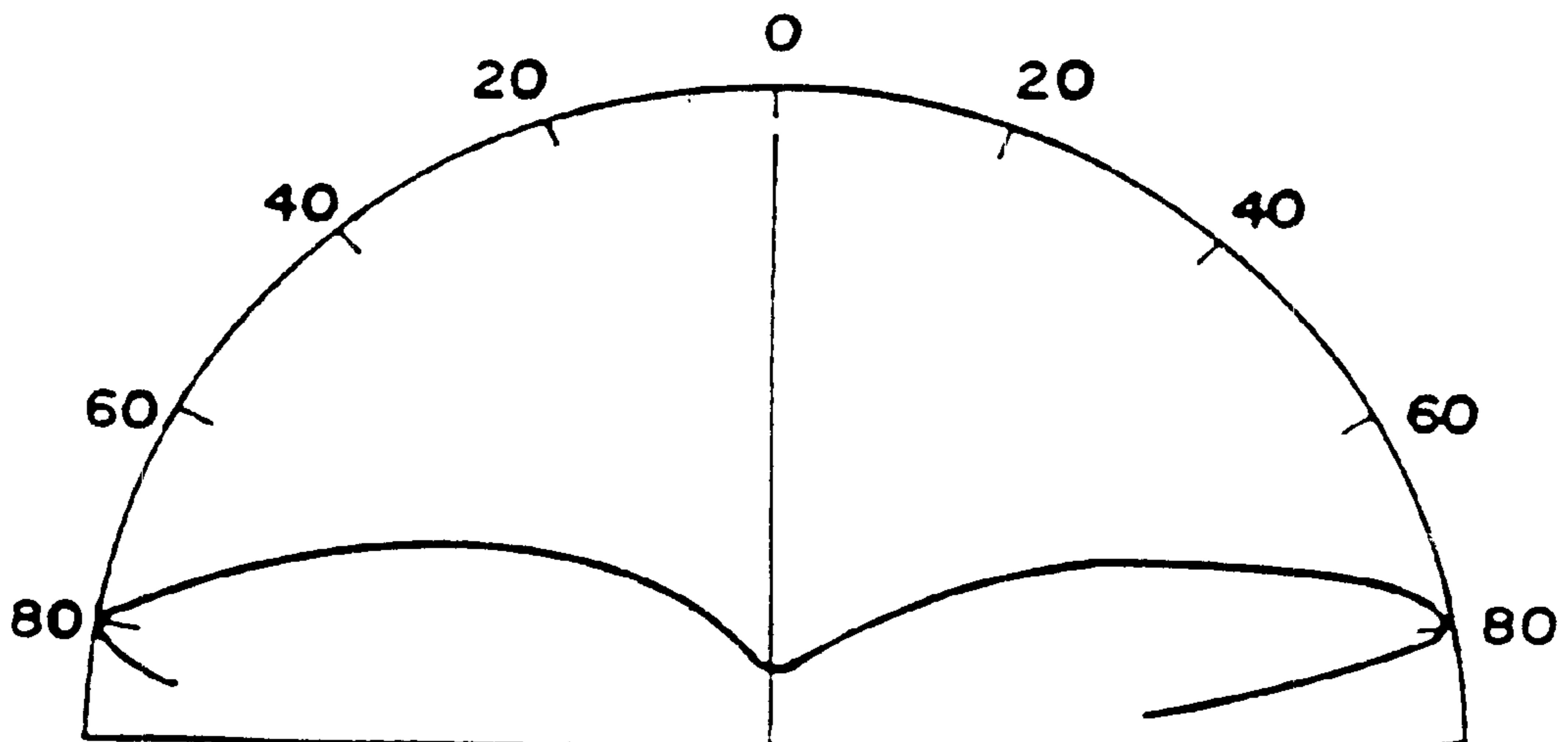


FIG. 9

(a)

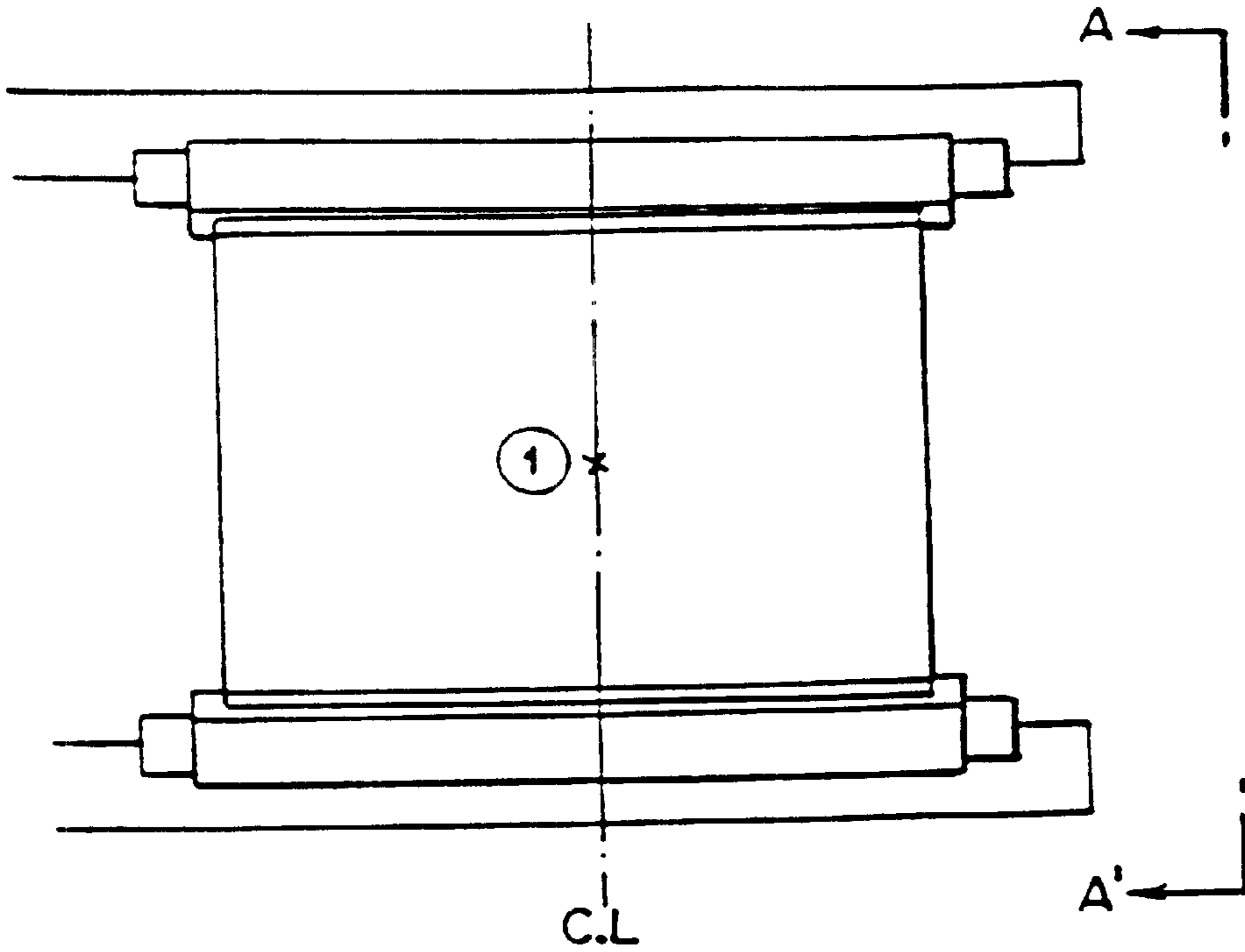


FIG. 9

(b)

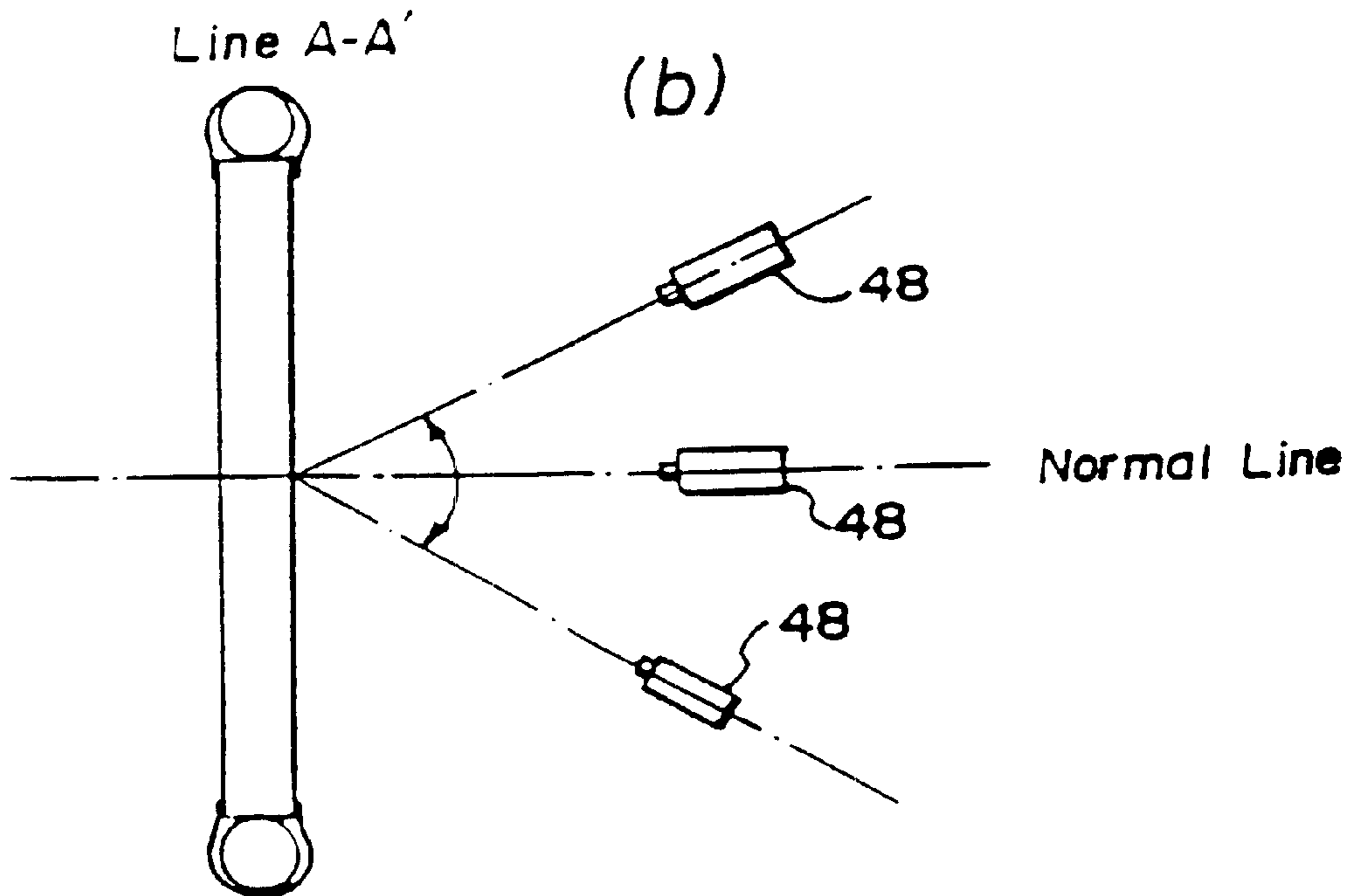


FIG. 10

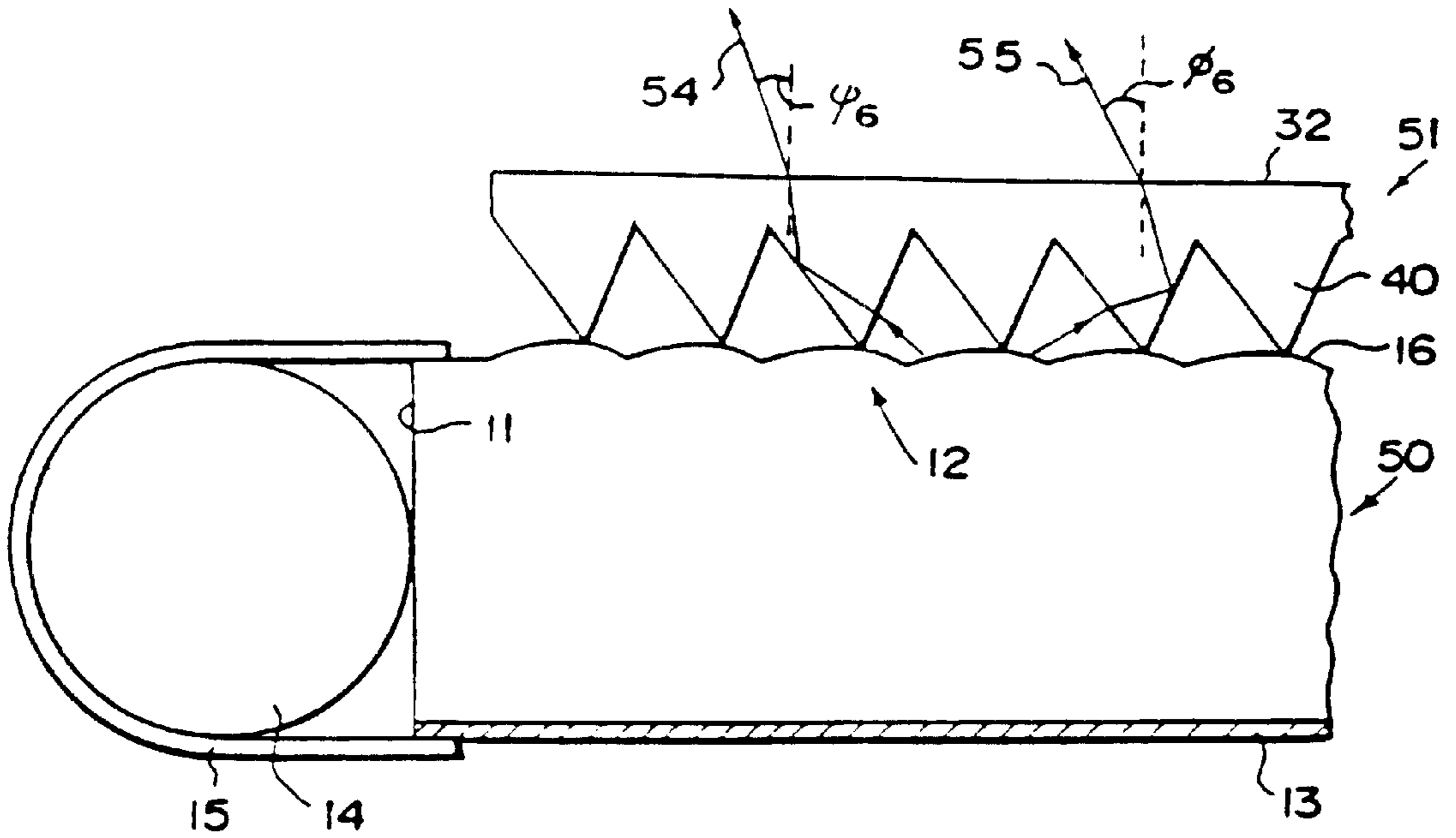


FIG. 11

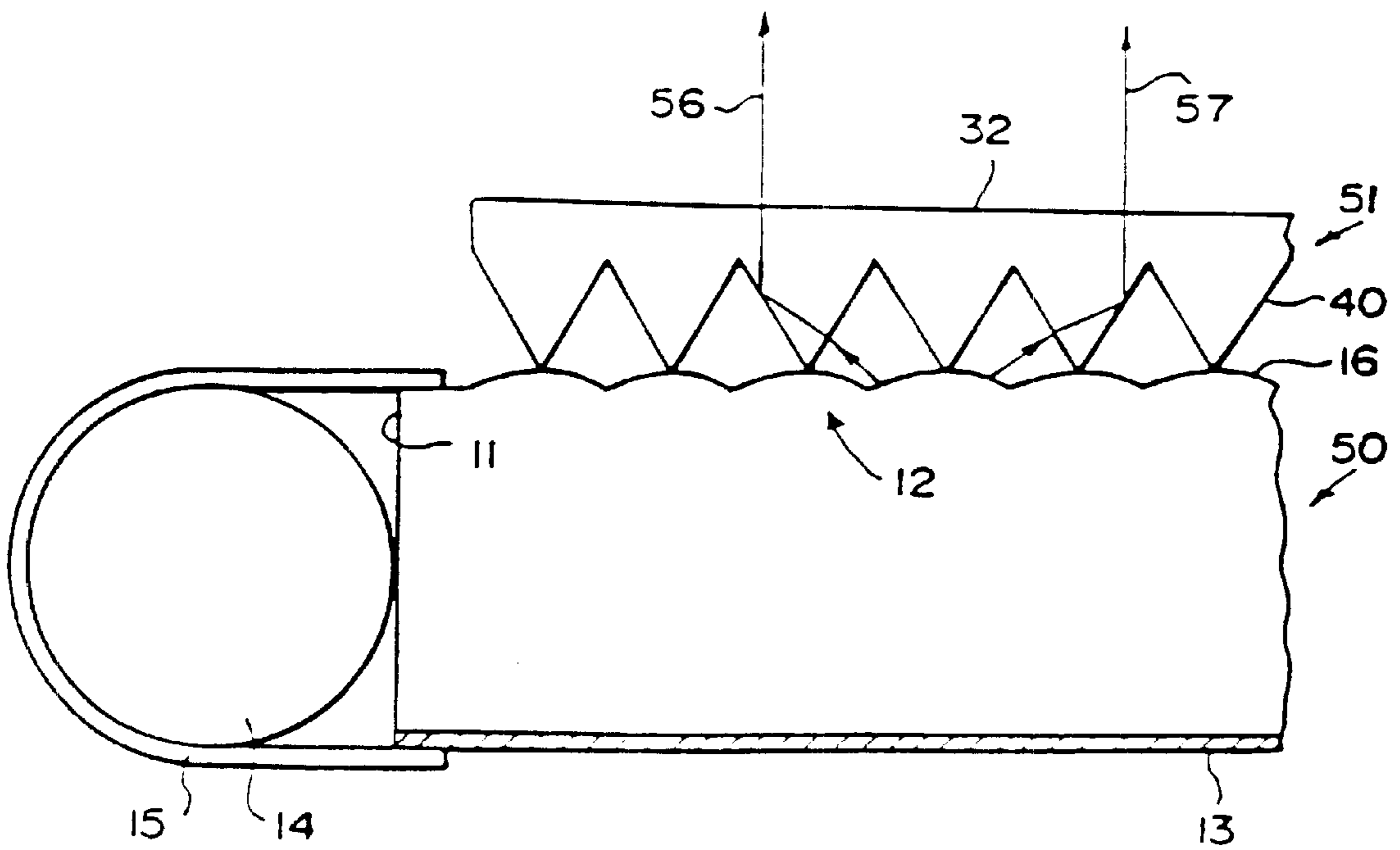


FIG. 12

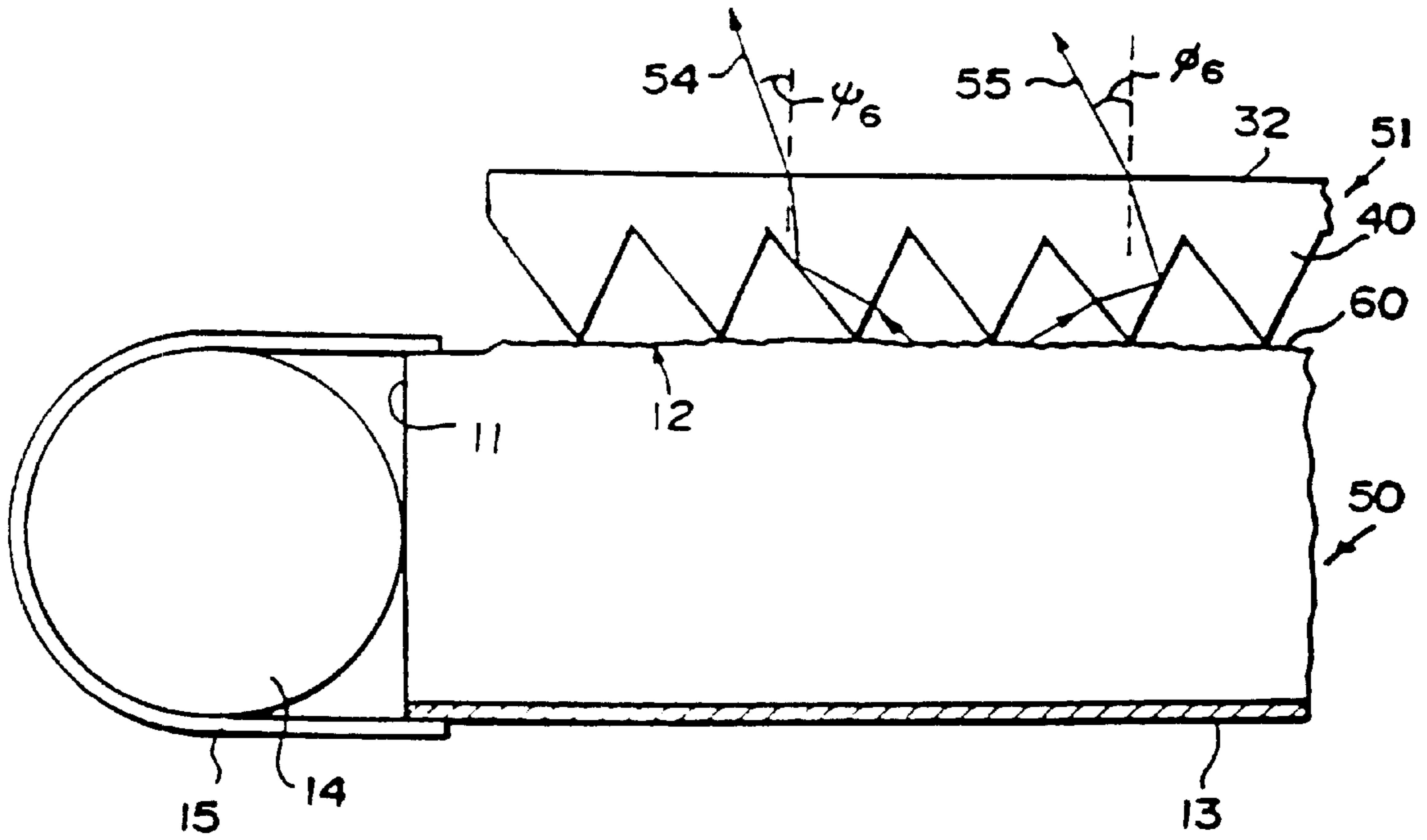


FIG. 13

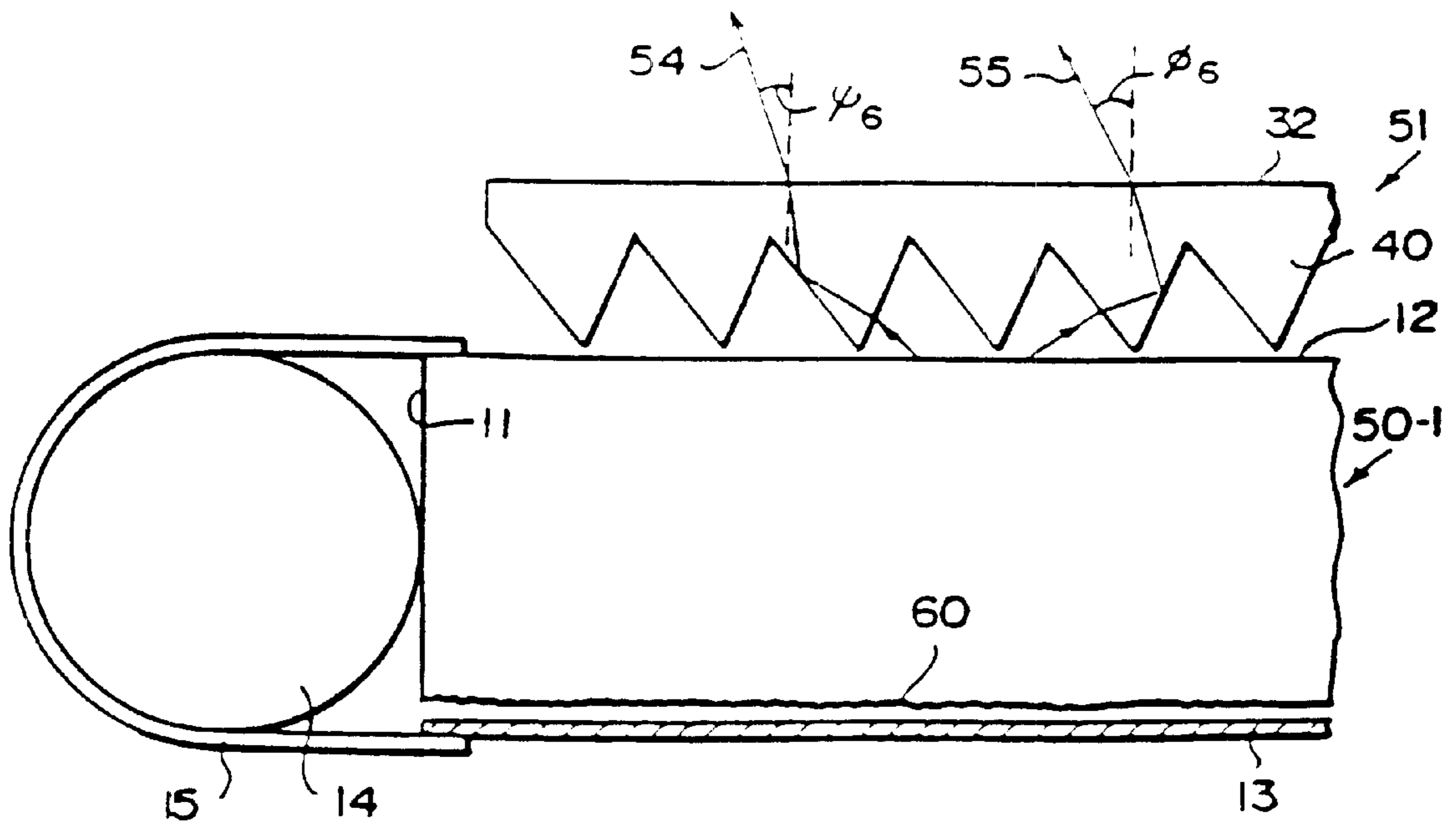


FIG. 14

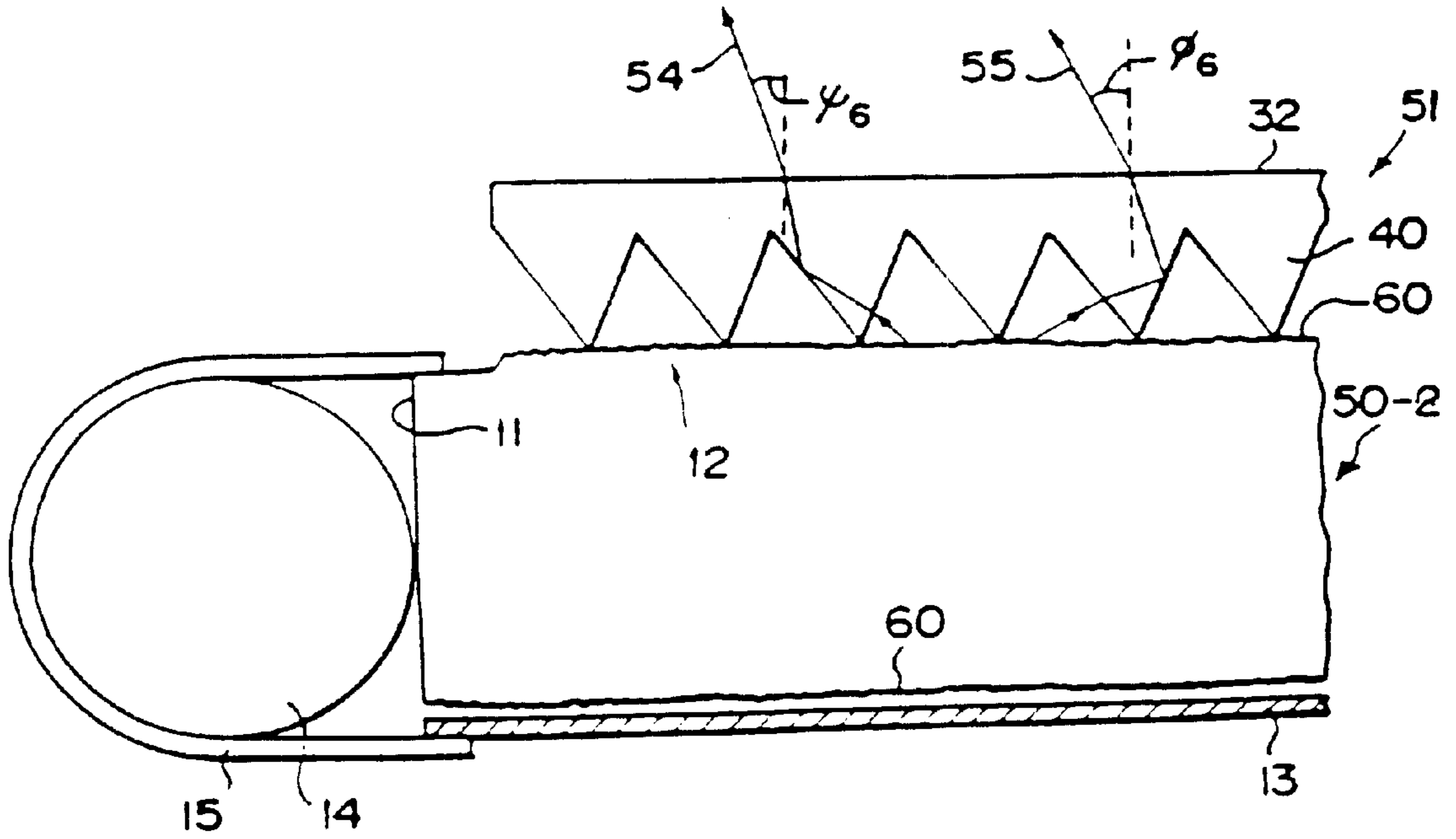


FIG. 15

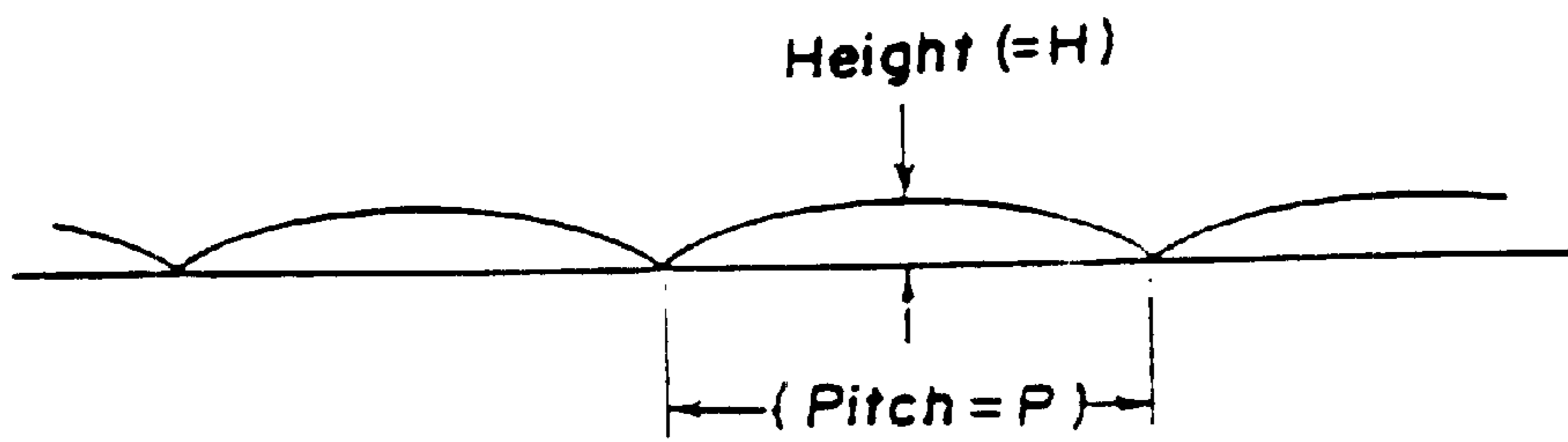


FIG. 16 (a)

Central Point ①

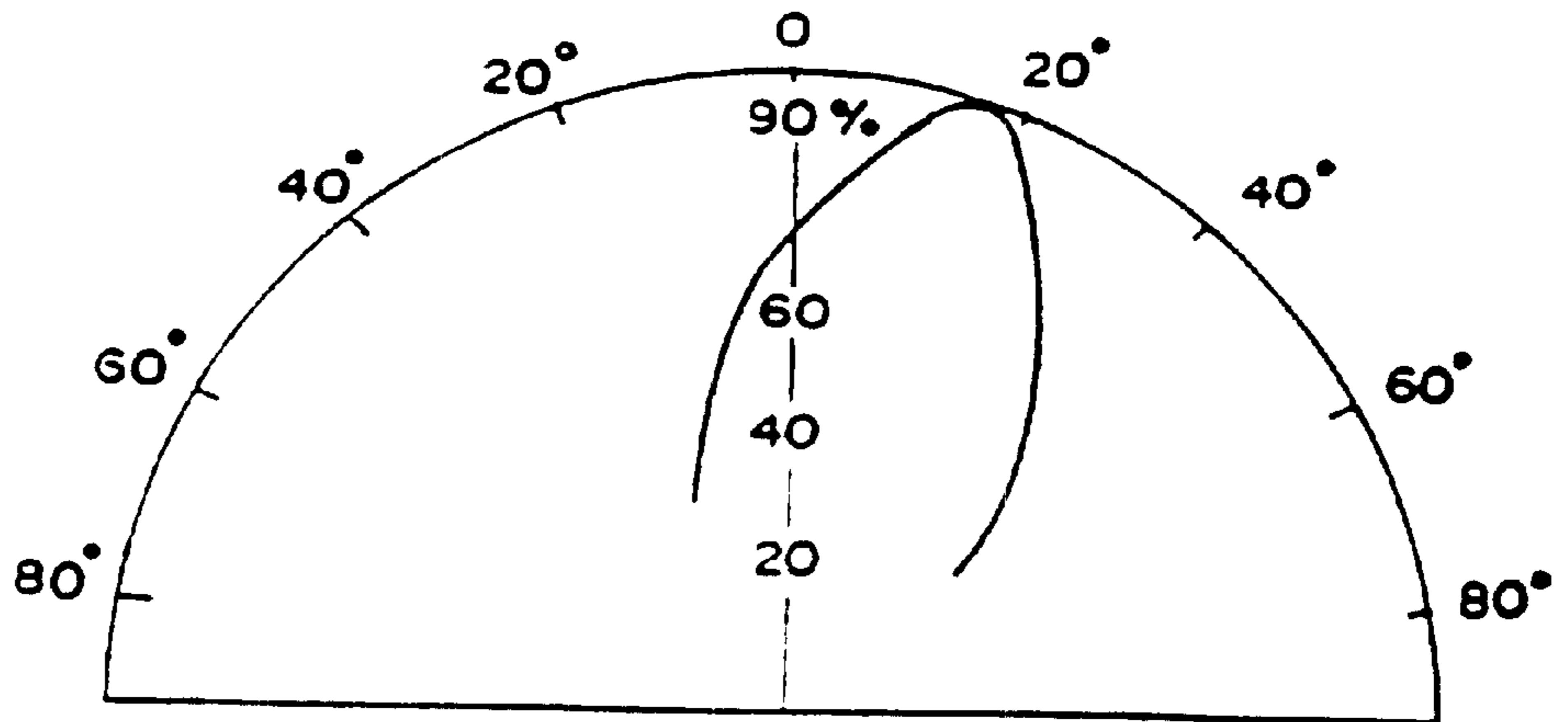


FIG. 16 (b)

10mm Point ② from Lamp

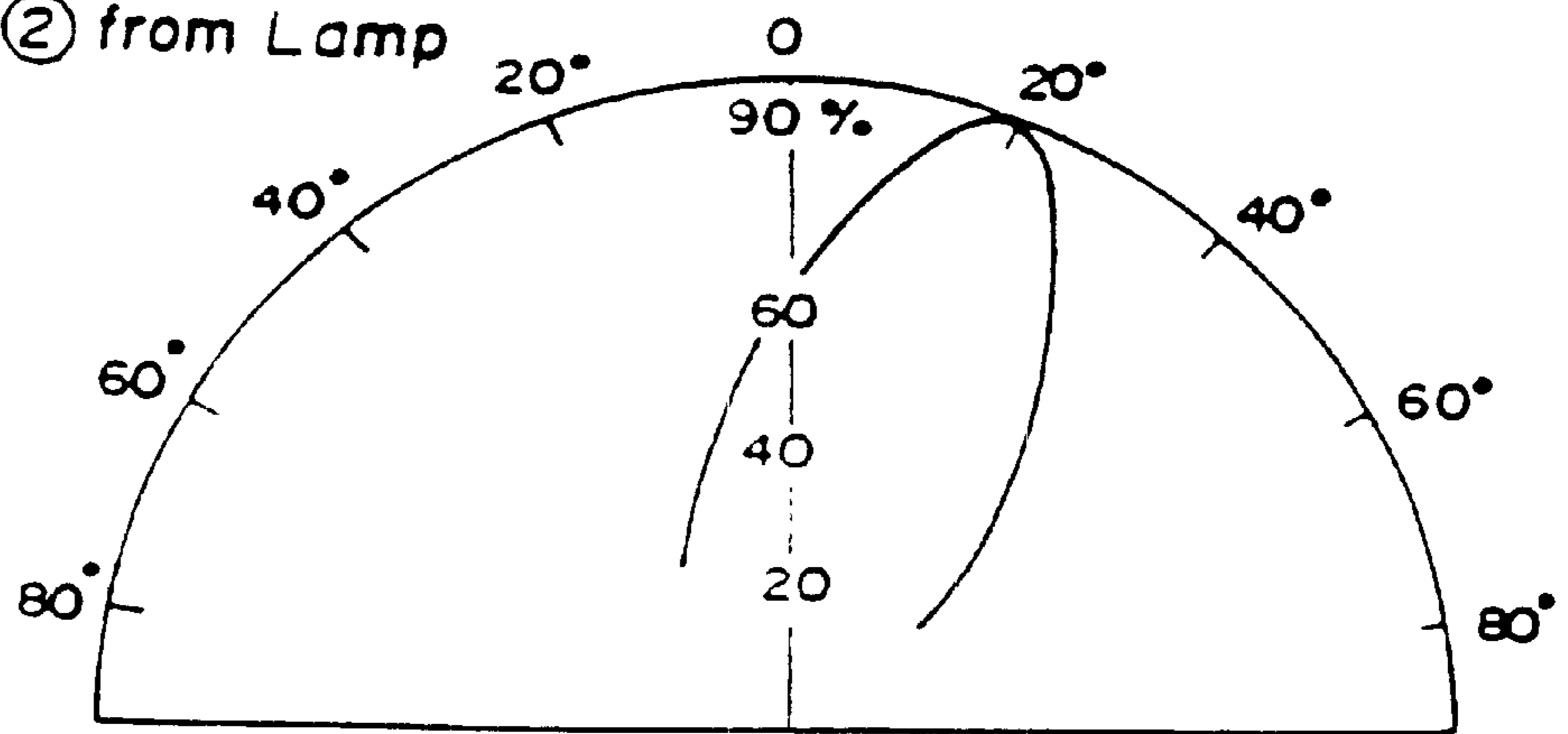


FIG. 16 (c)

10mm Point ③ from Lamp

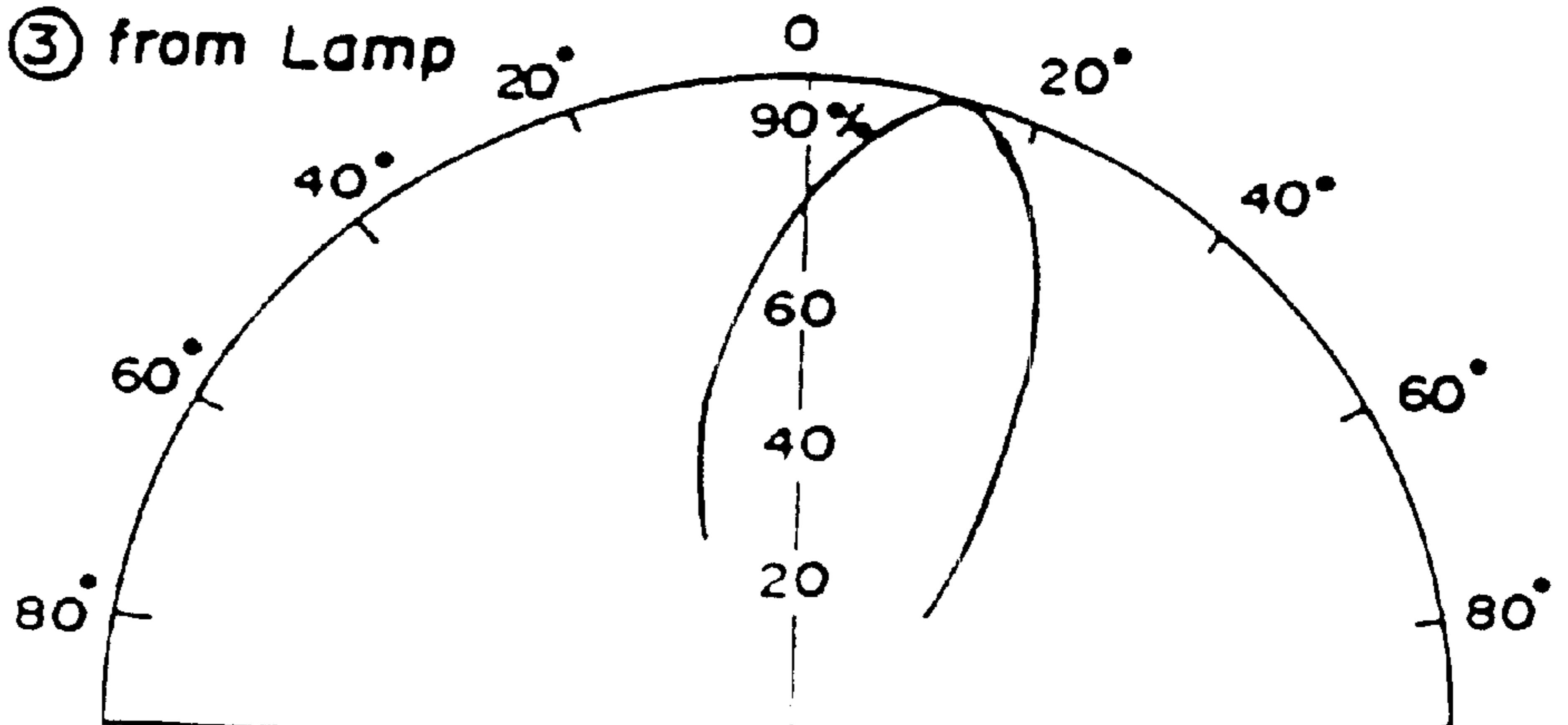


FIG. 17(a)

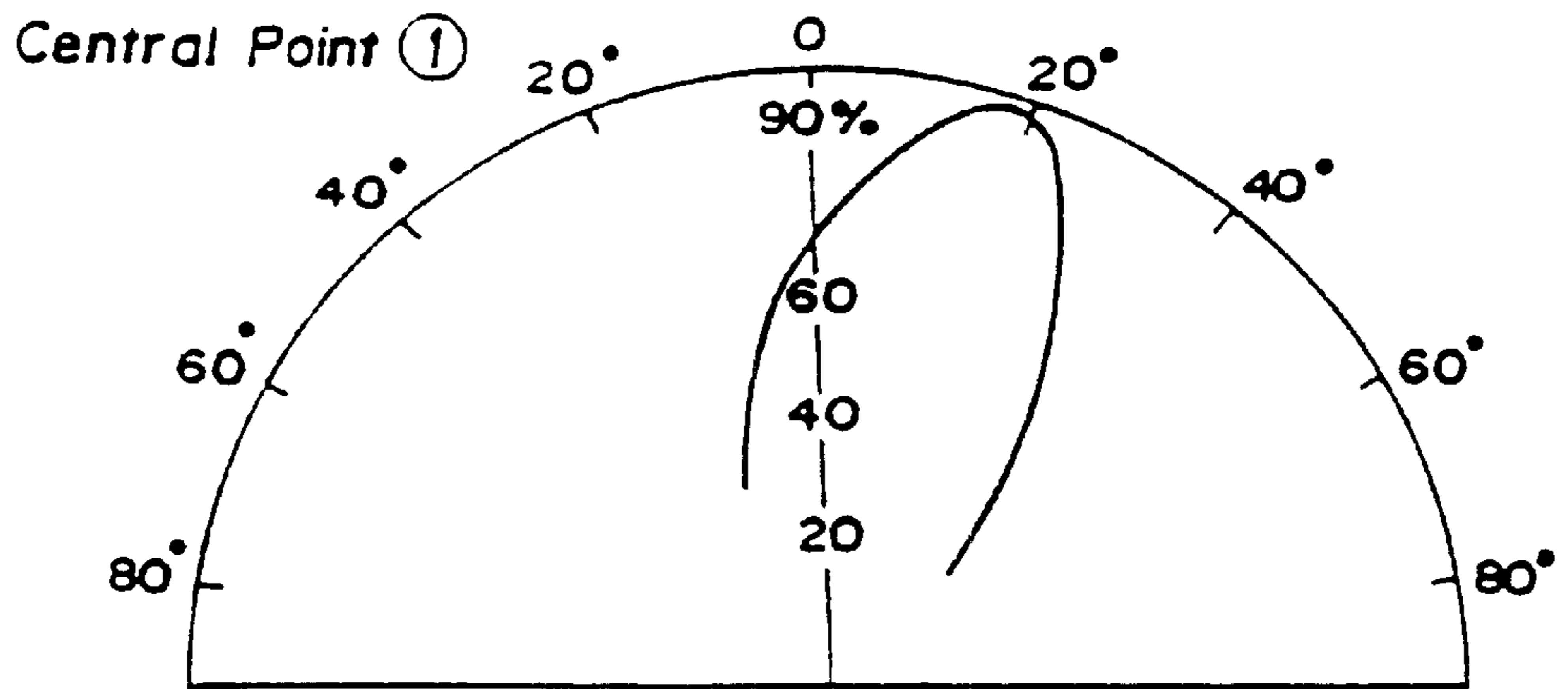


FIG. 17(b)

10mm Point ② from Lamp

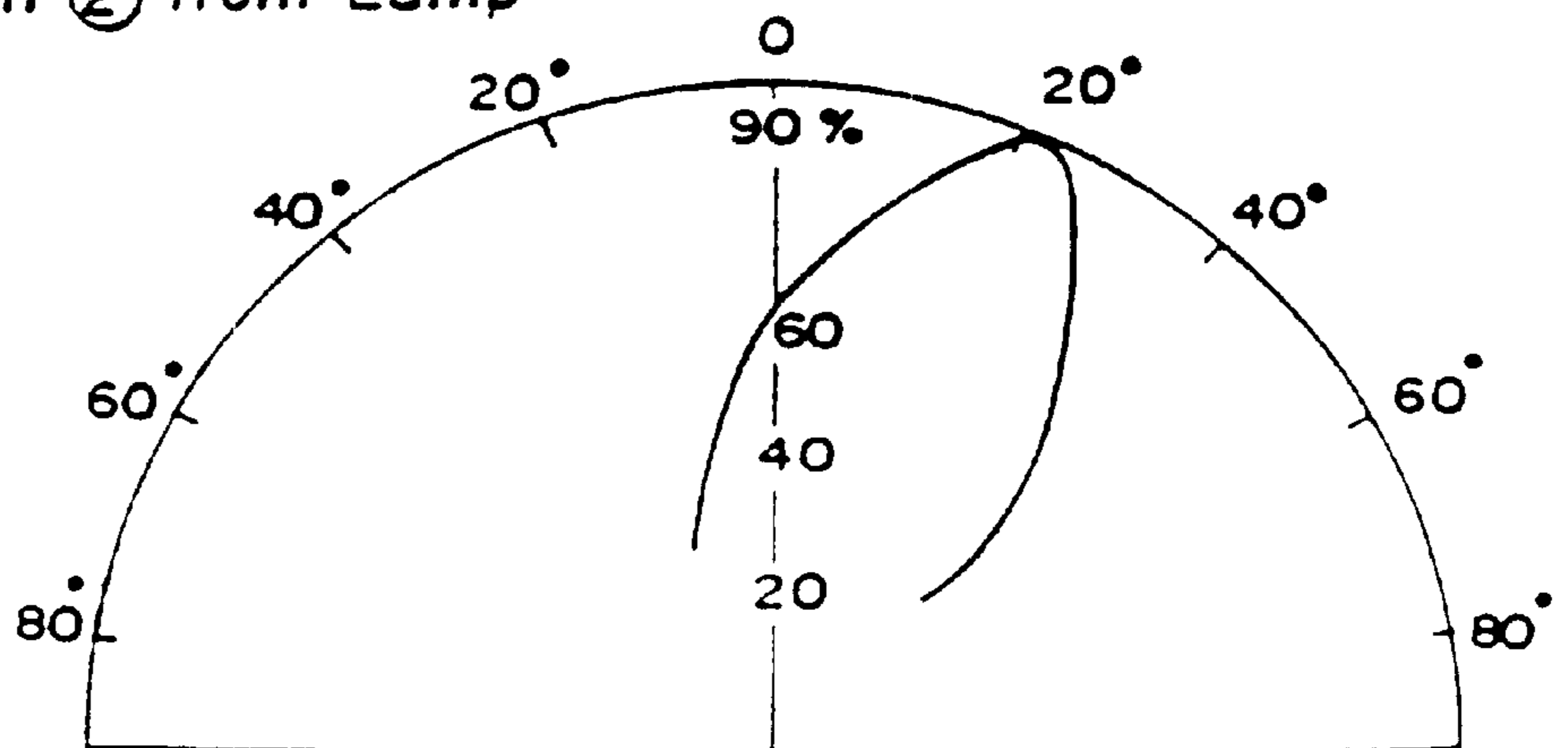


FIG. 17(c)

10mm Point ③ from Lamp

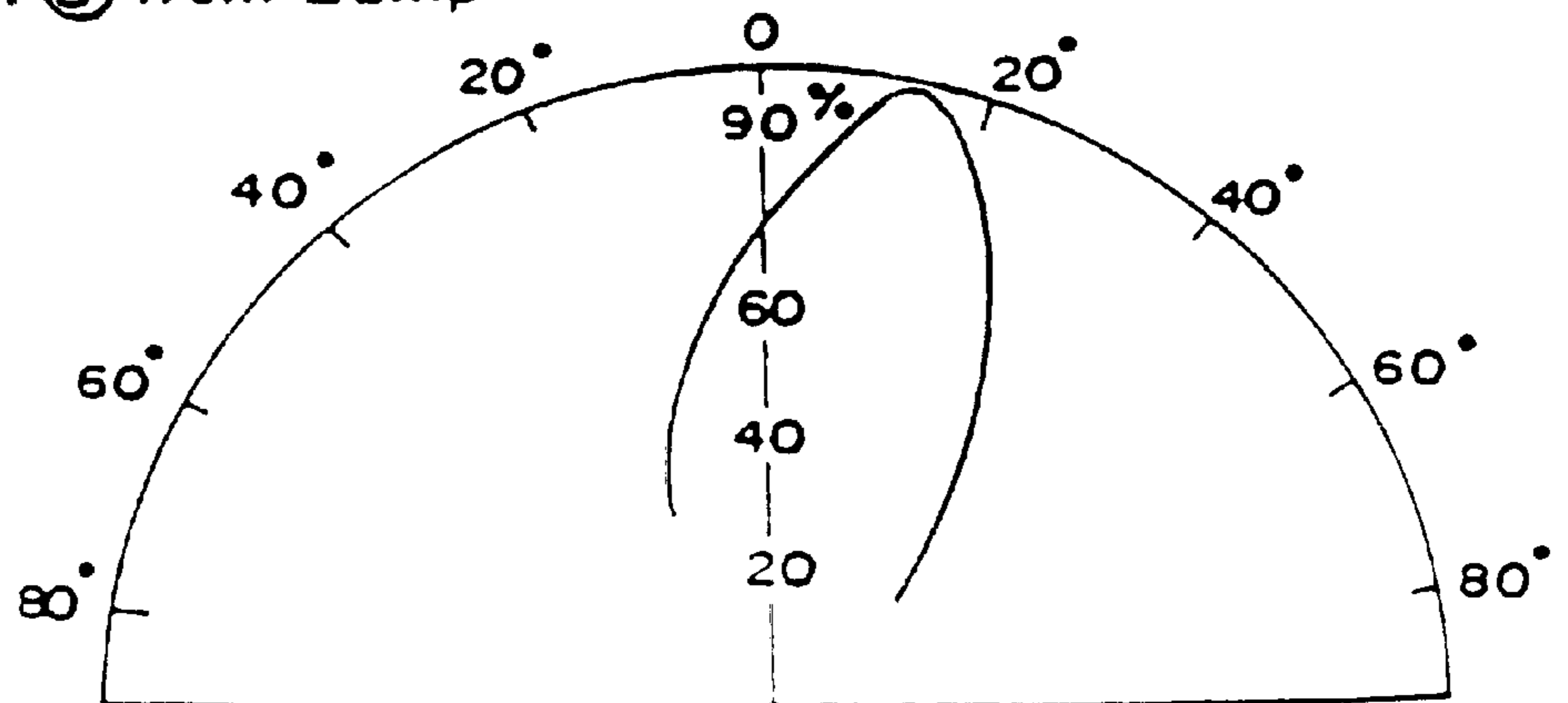


FIG. 18 (a)

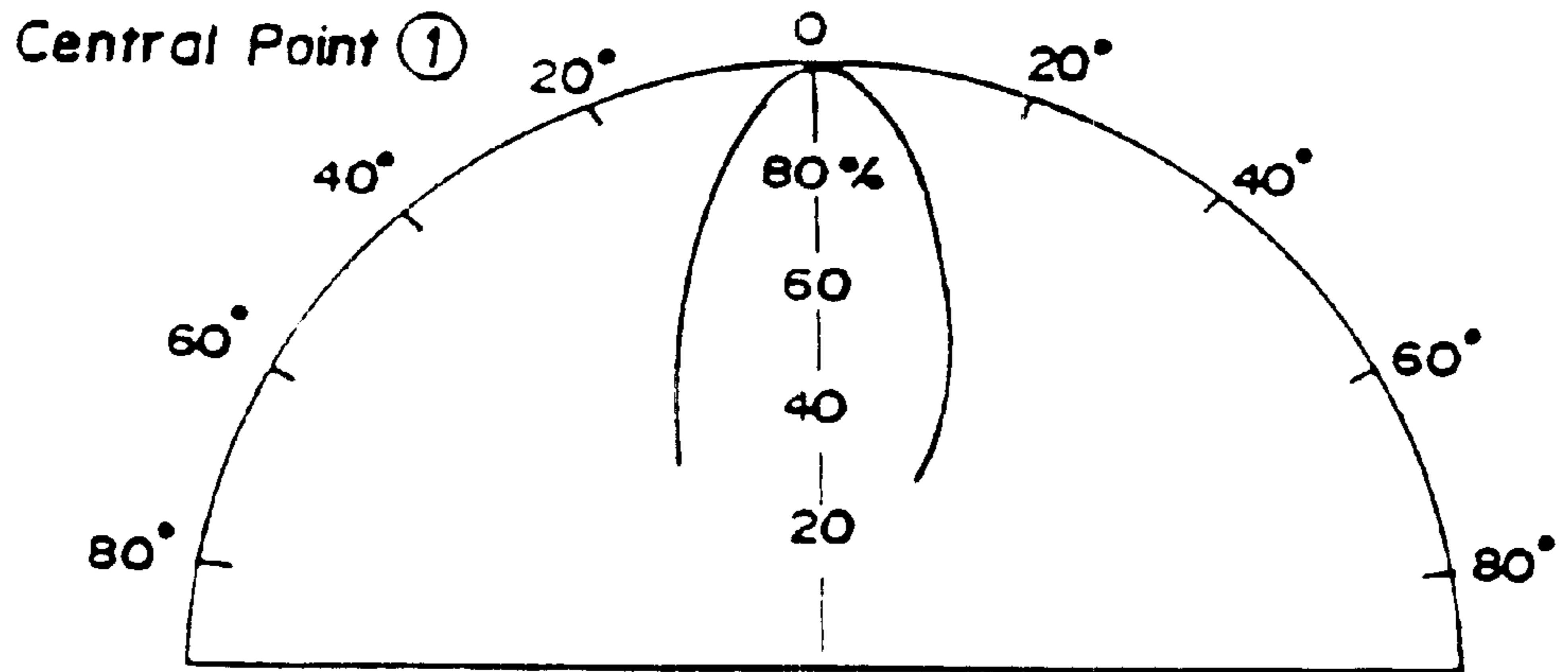


FIG. 18 (b)

10mm Point ② from Lamp

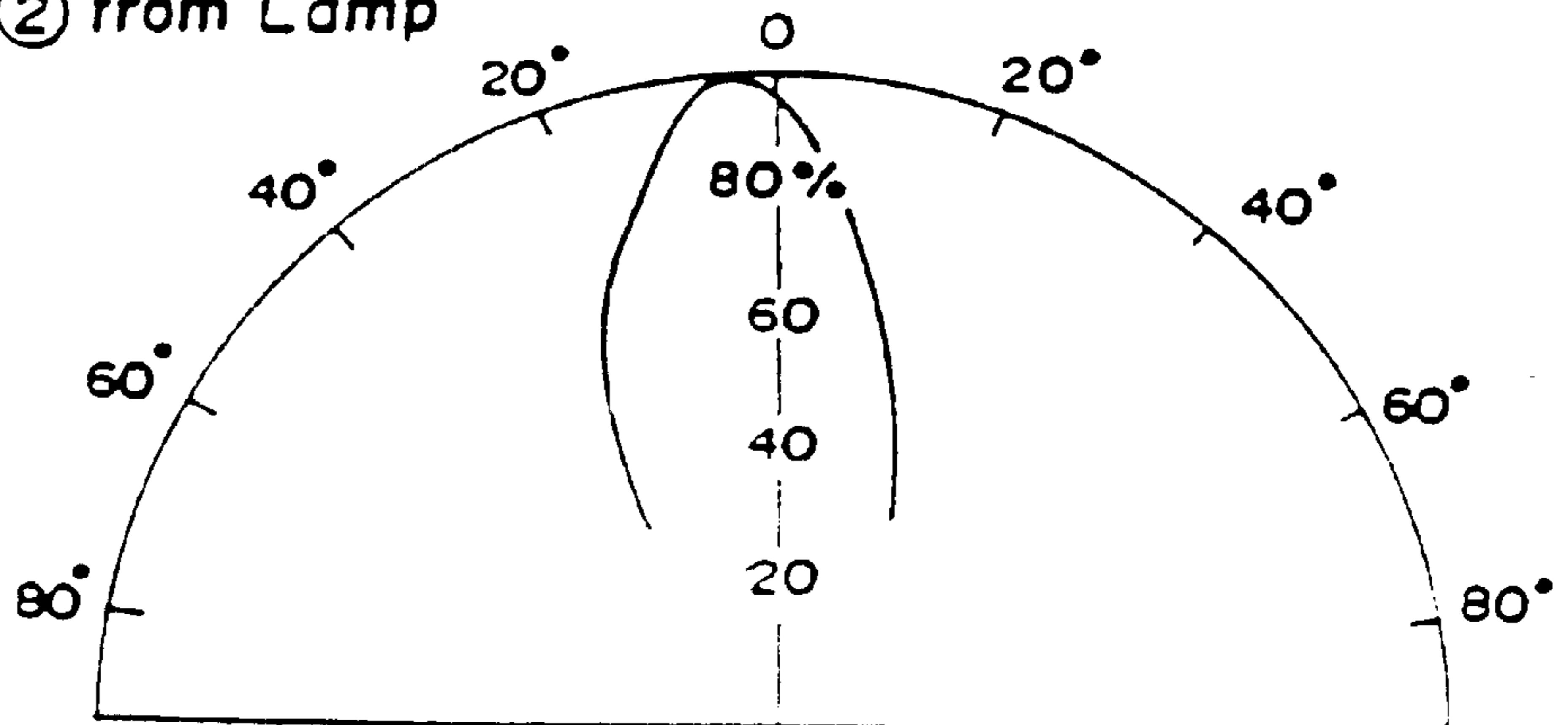


FIG. 18 (c)

10mm Point ③ from Lamp

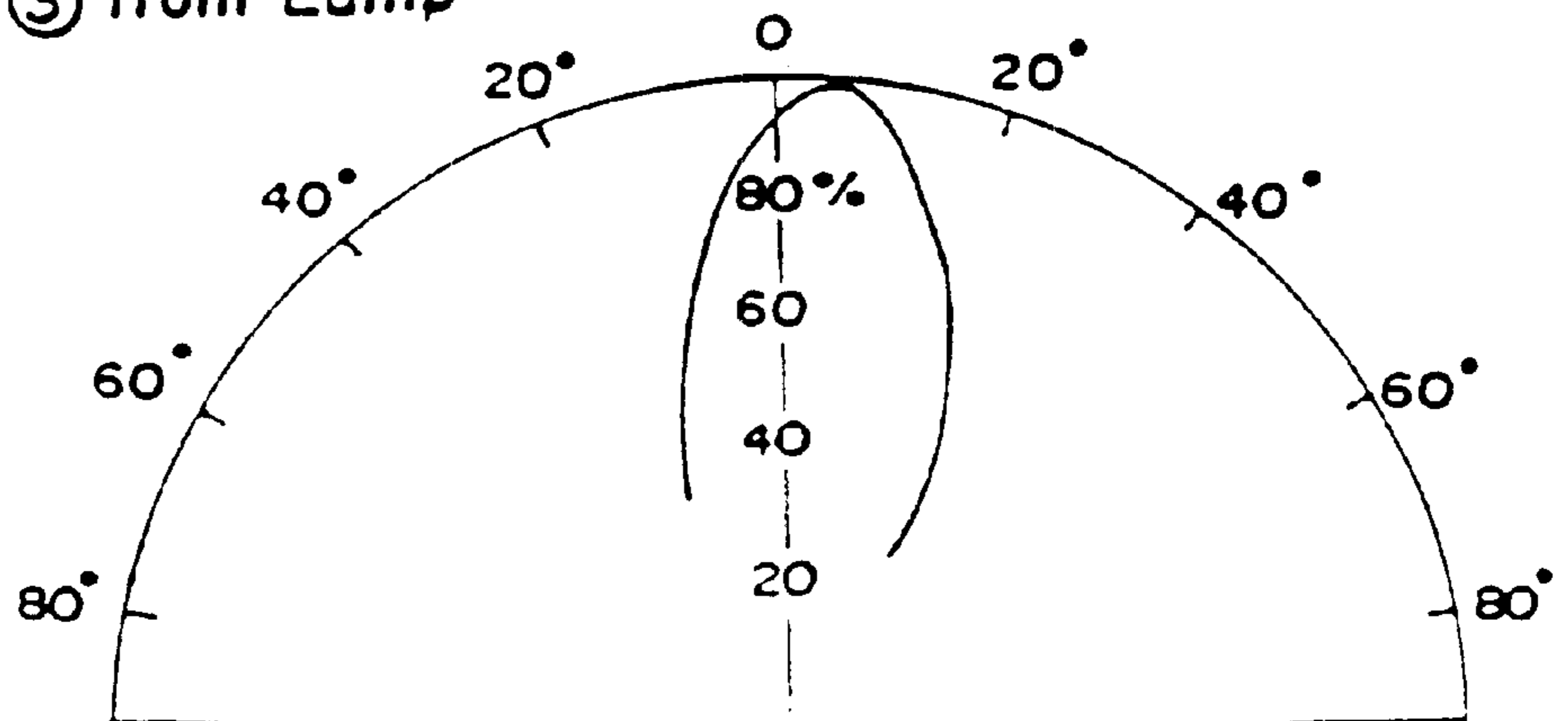


FIG. 19 (a)

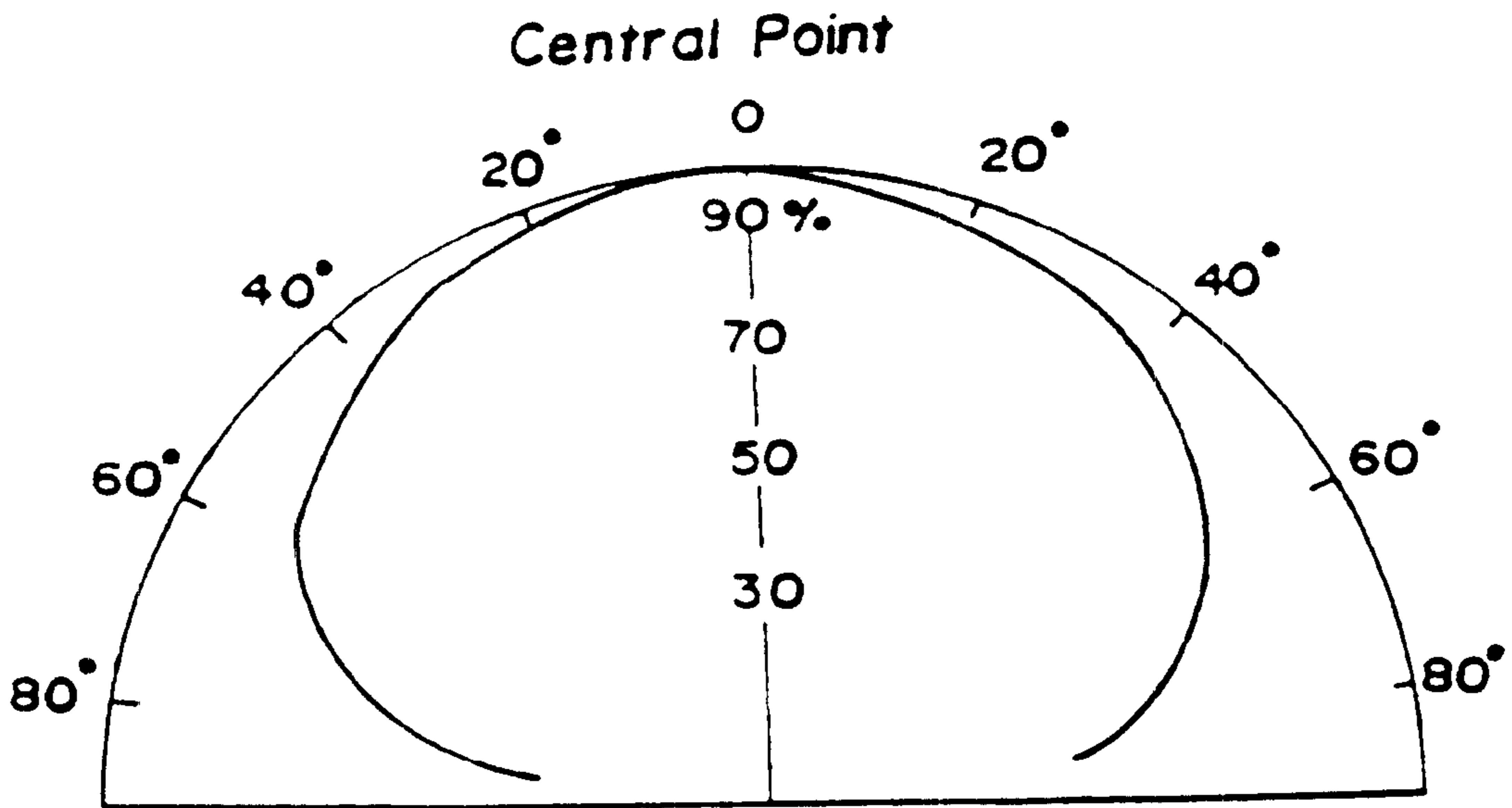


FIG. 19 (b)

10mm Point from Lamp

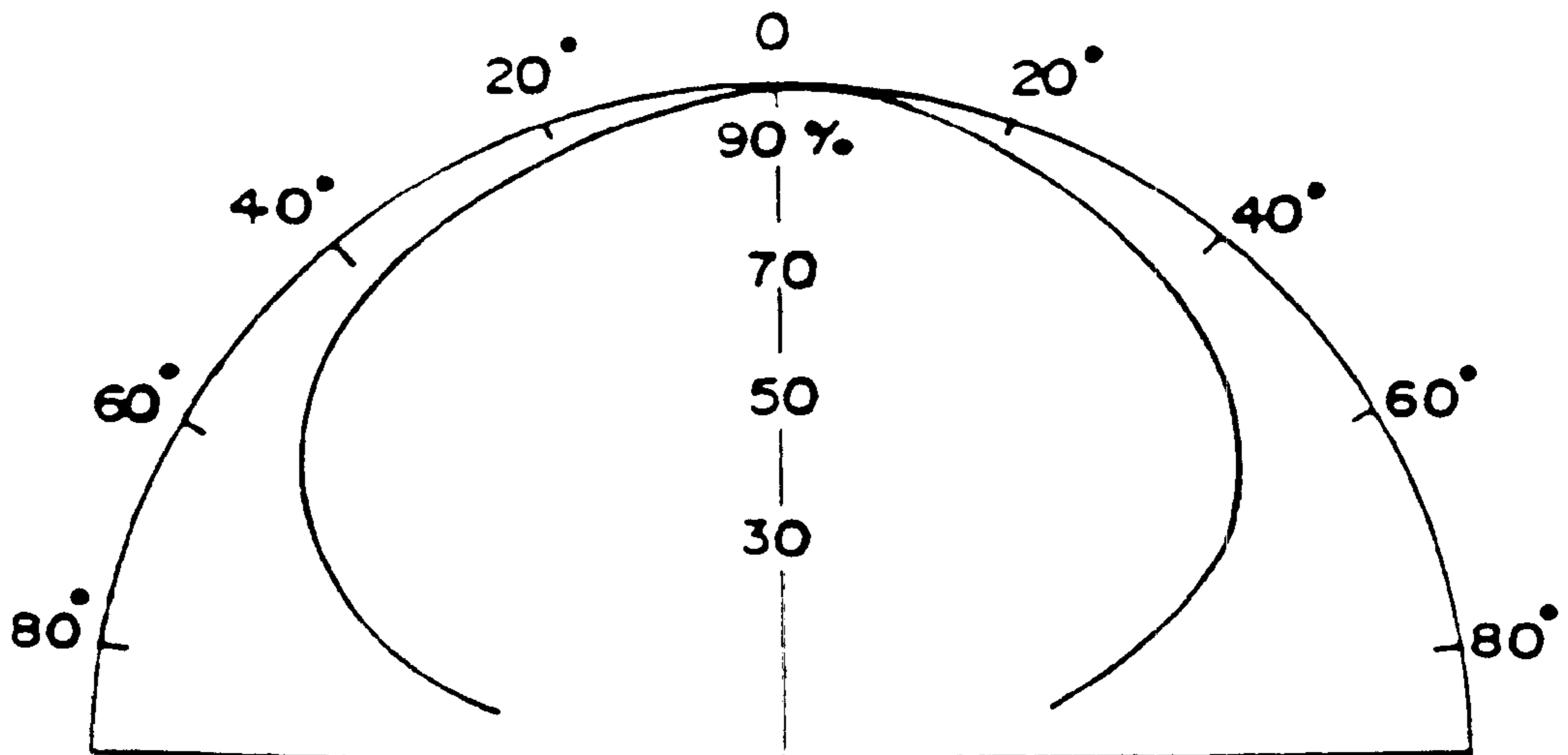


FIG. 20

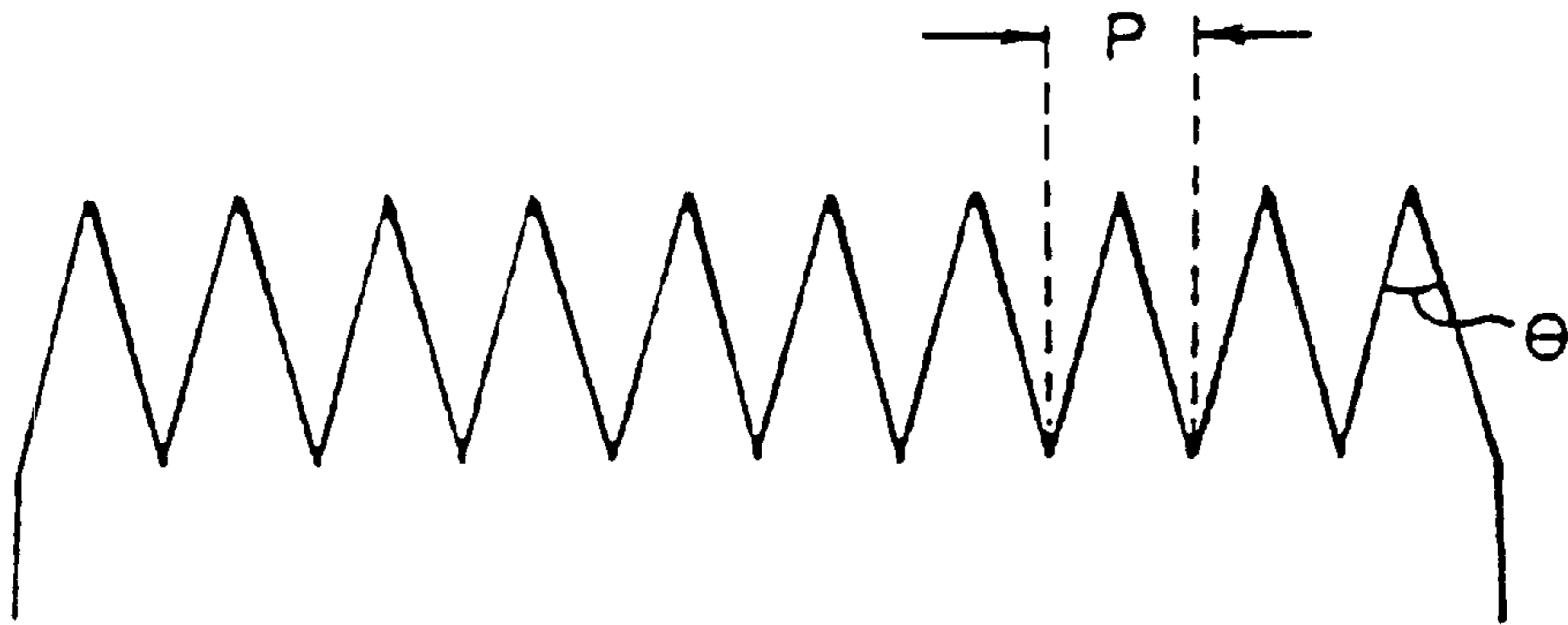


FIG. 21

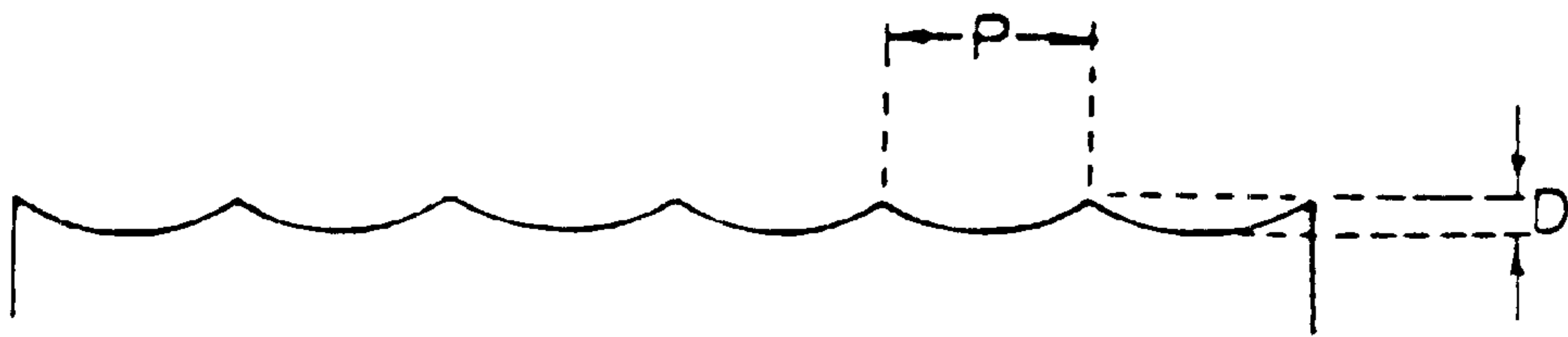


FIG. 22

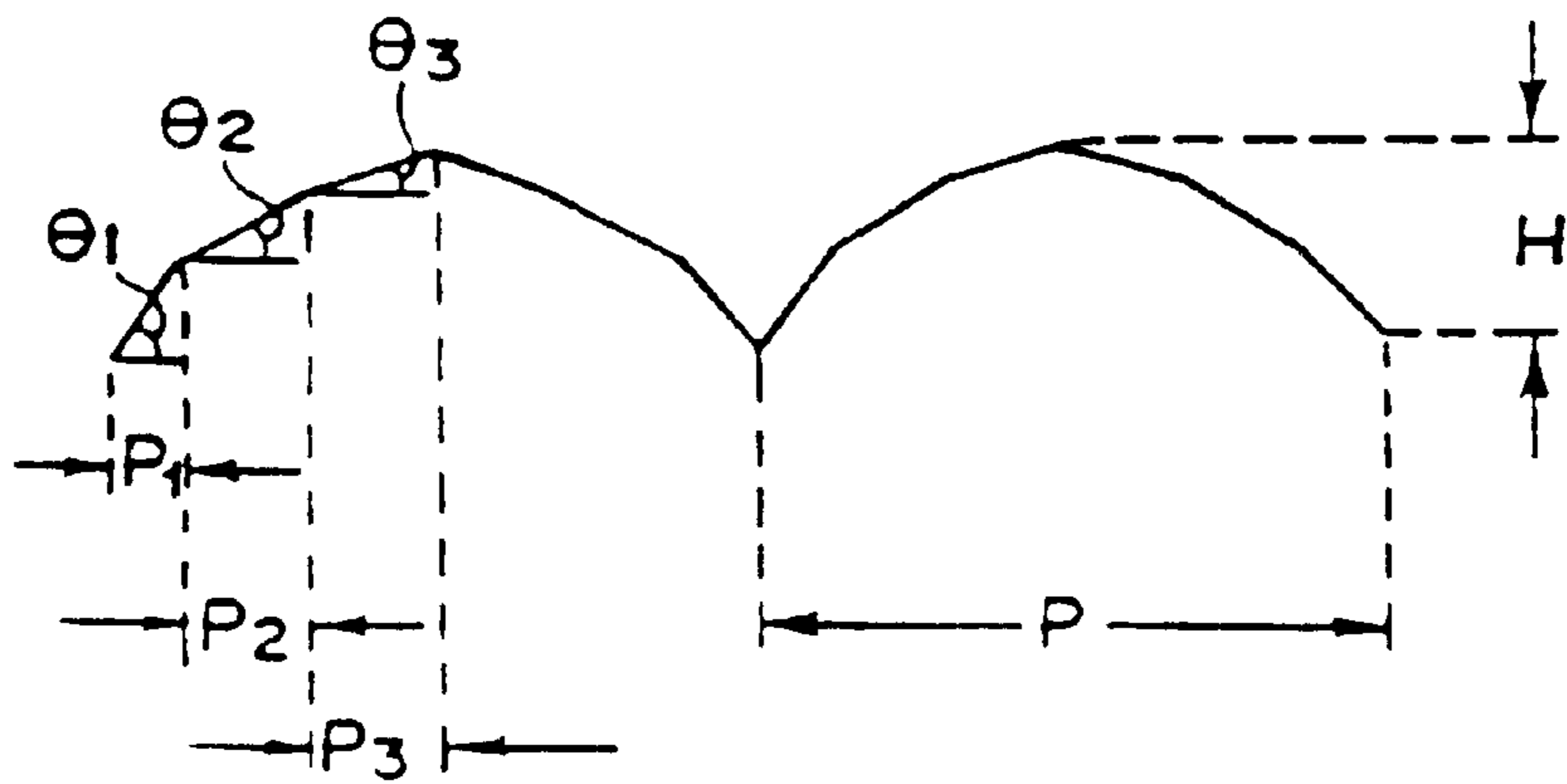


FIG. 23 (a)

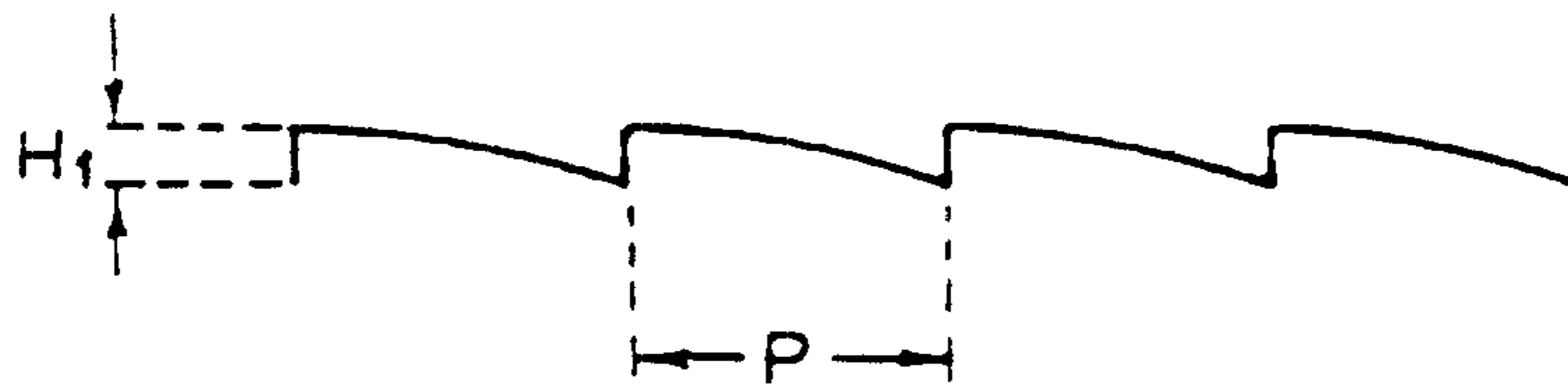


FIG. 23 (b)

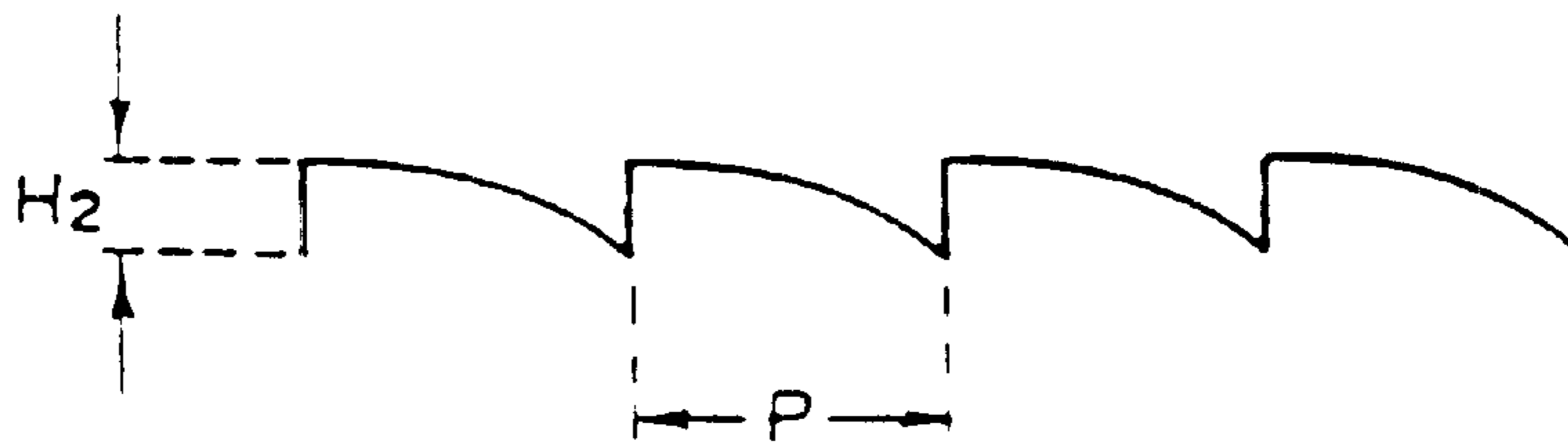


FIG. 24

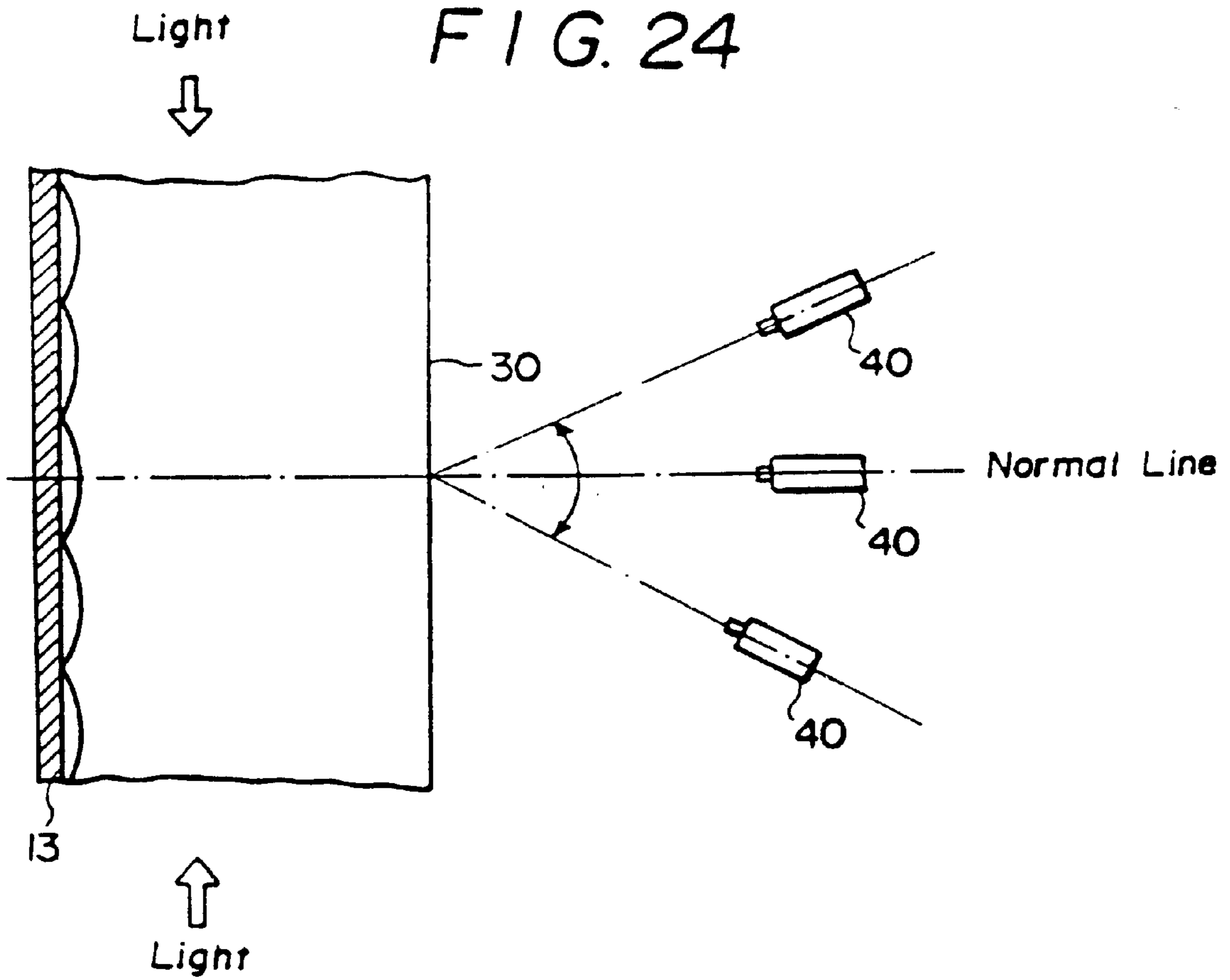


FIG. 25 (a)

Convex Cylindrical Lenticular Lens

Front Type

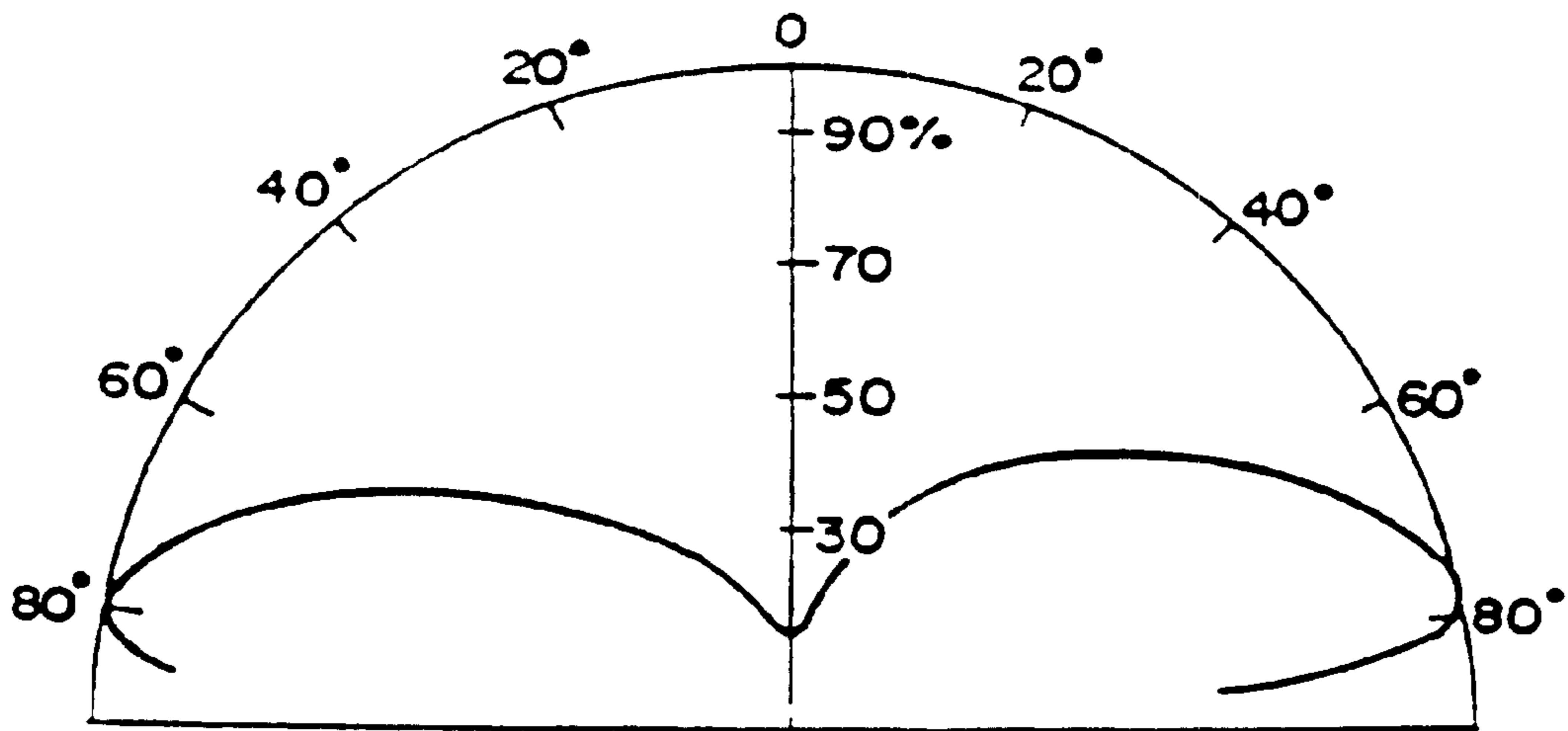


FIG. 25 (b)

Reverse Type

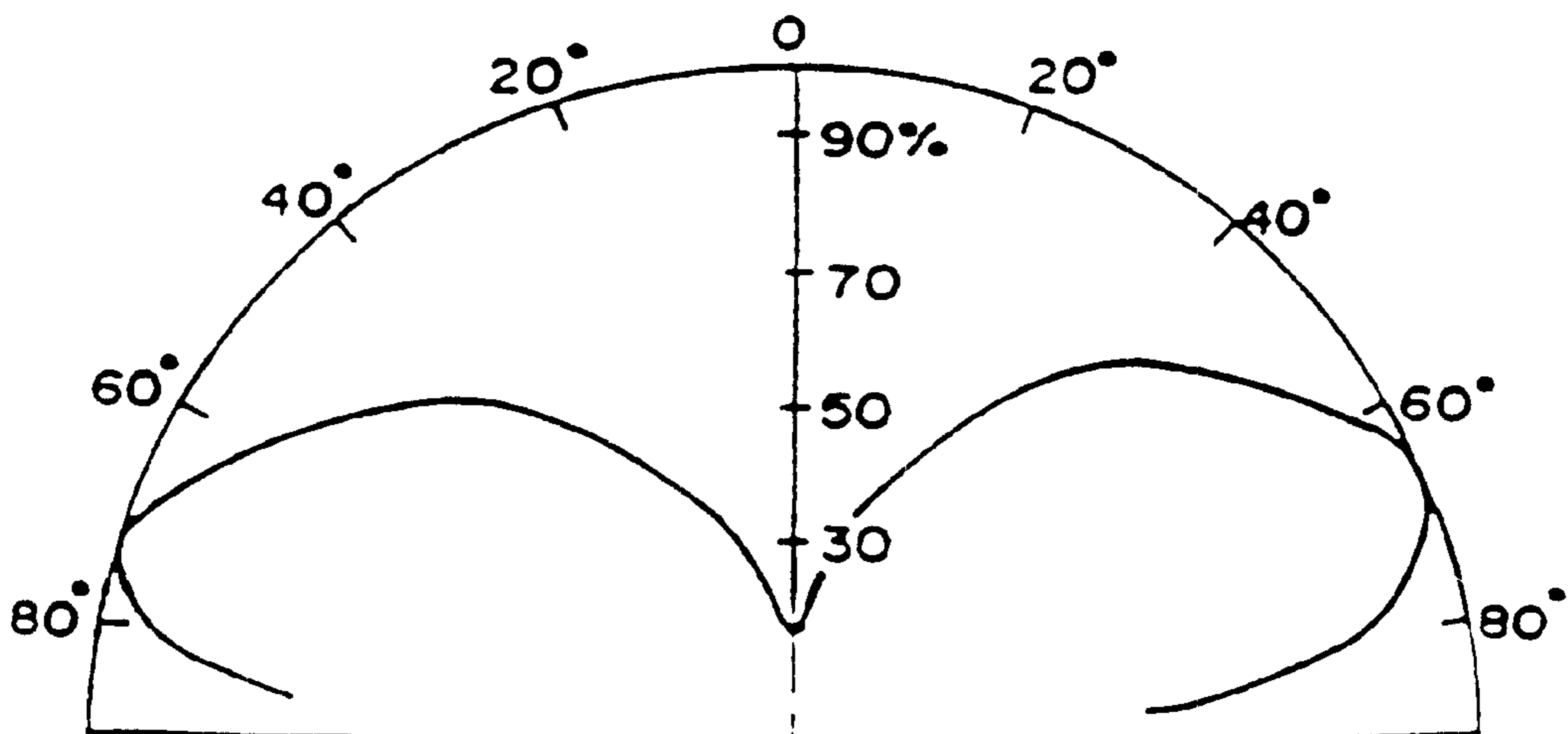


FIG. 26 (a)

Triangular Pole-Shaped Lenticular Lens

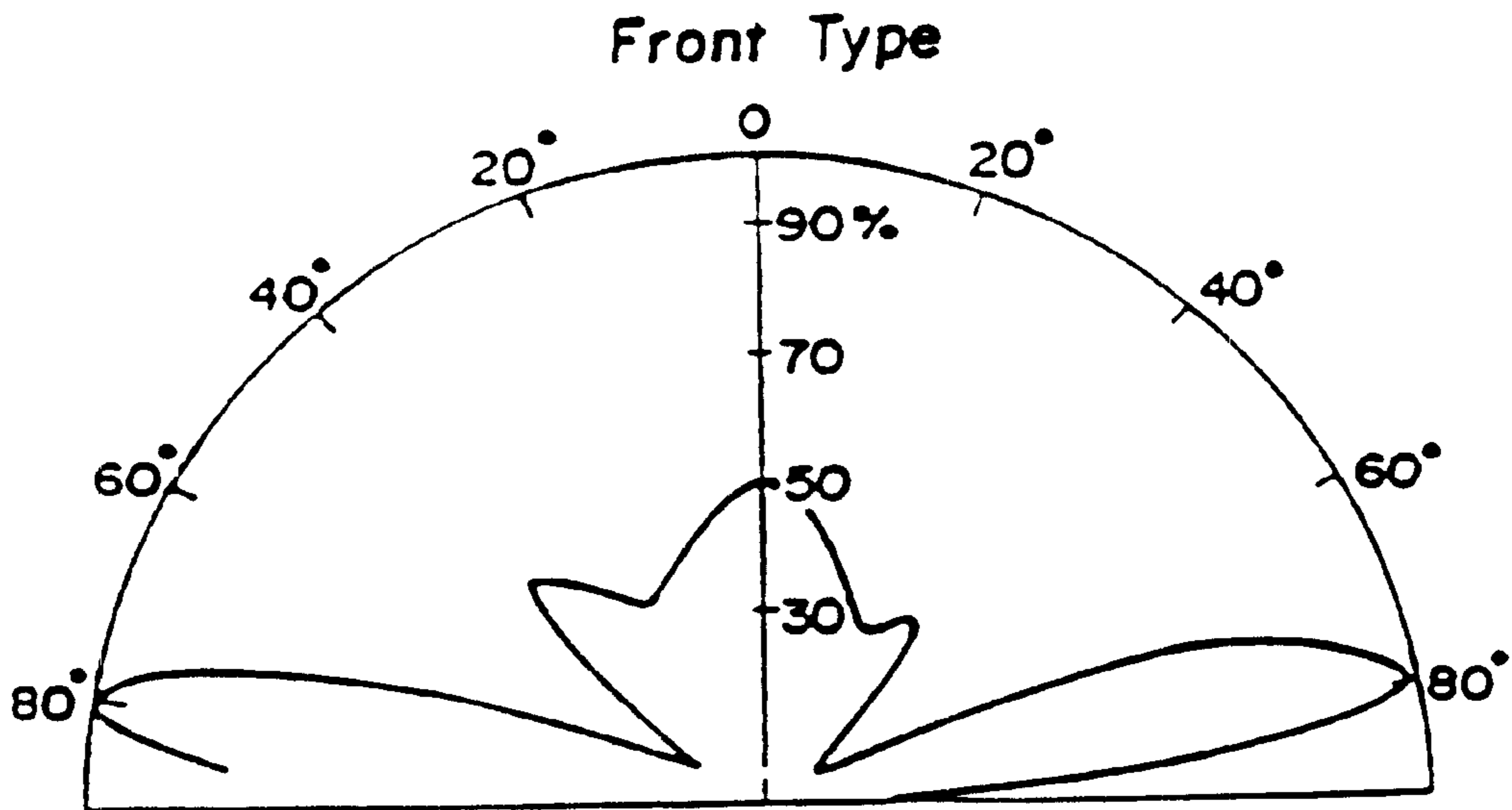


FIG. 26 (b)

Reverse Type

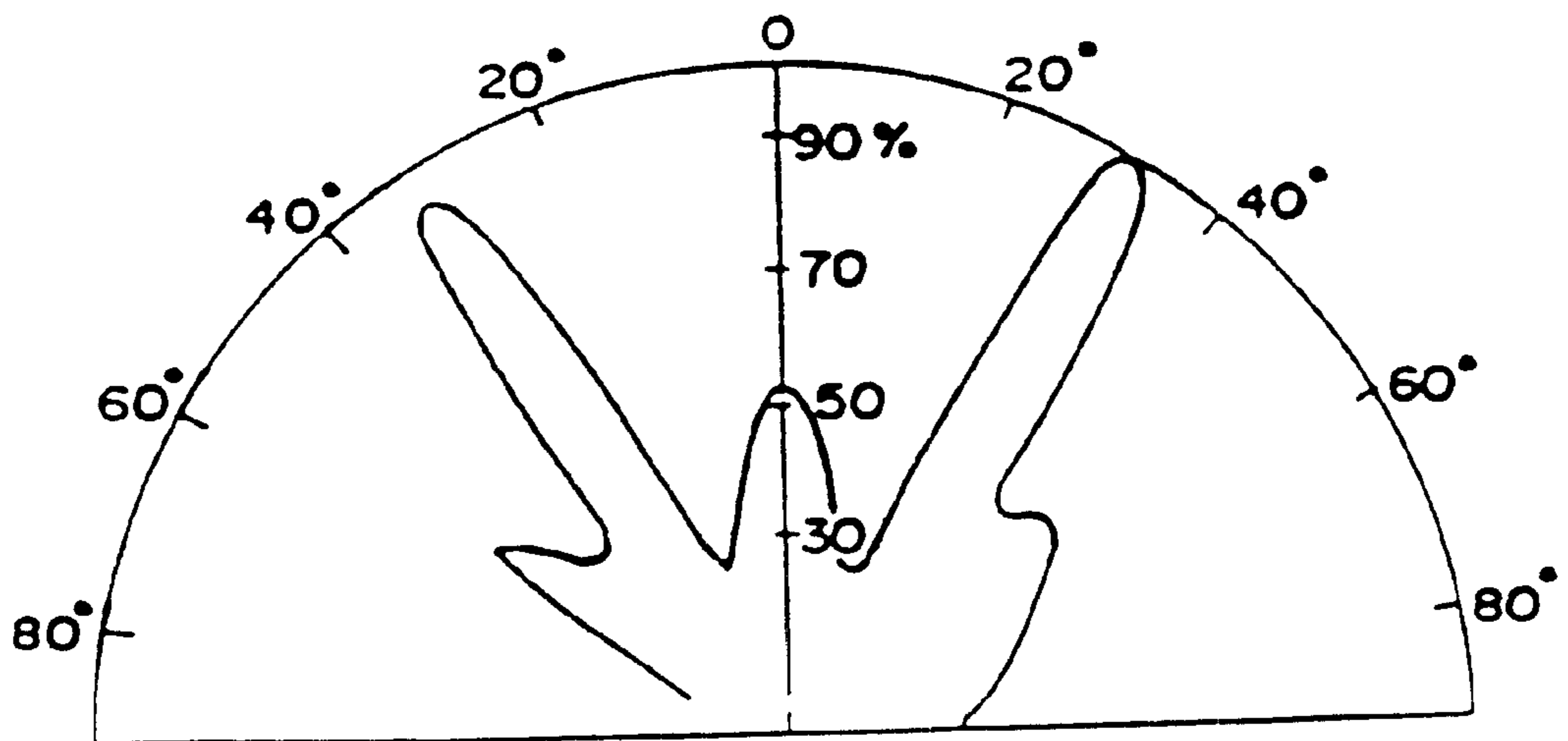


FIG. 27 (a)

Concave Cylindrical Lenticular Lens

Front Type

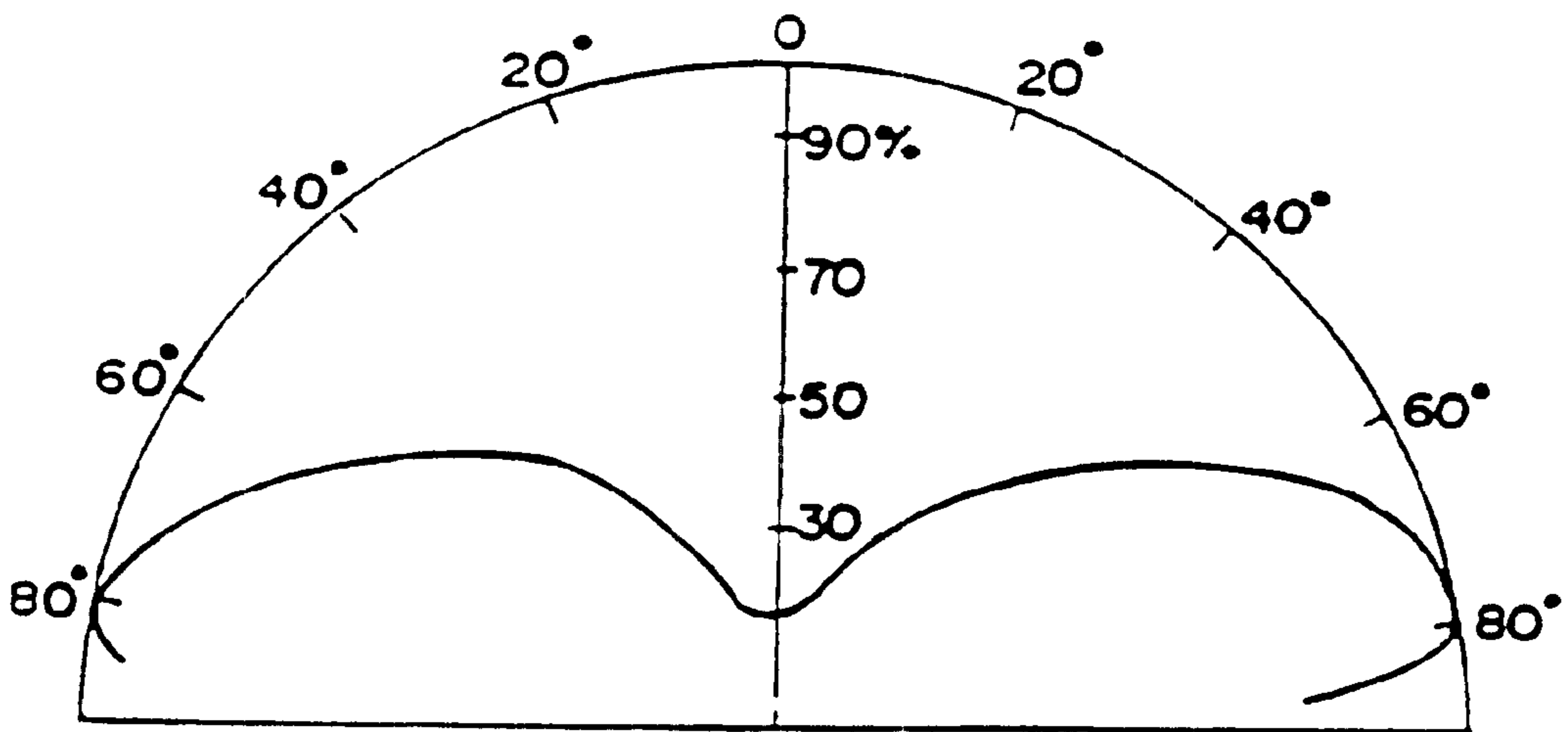


FIG. 27 (b)

Reverse Type

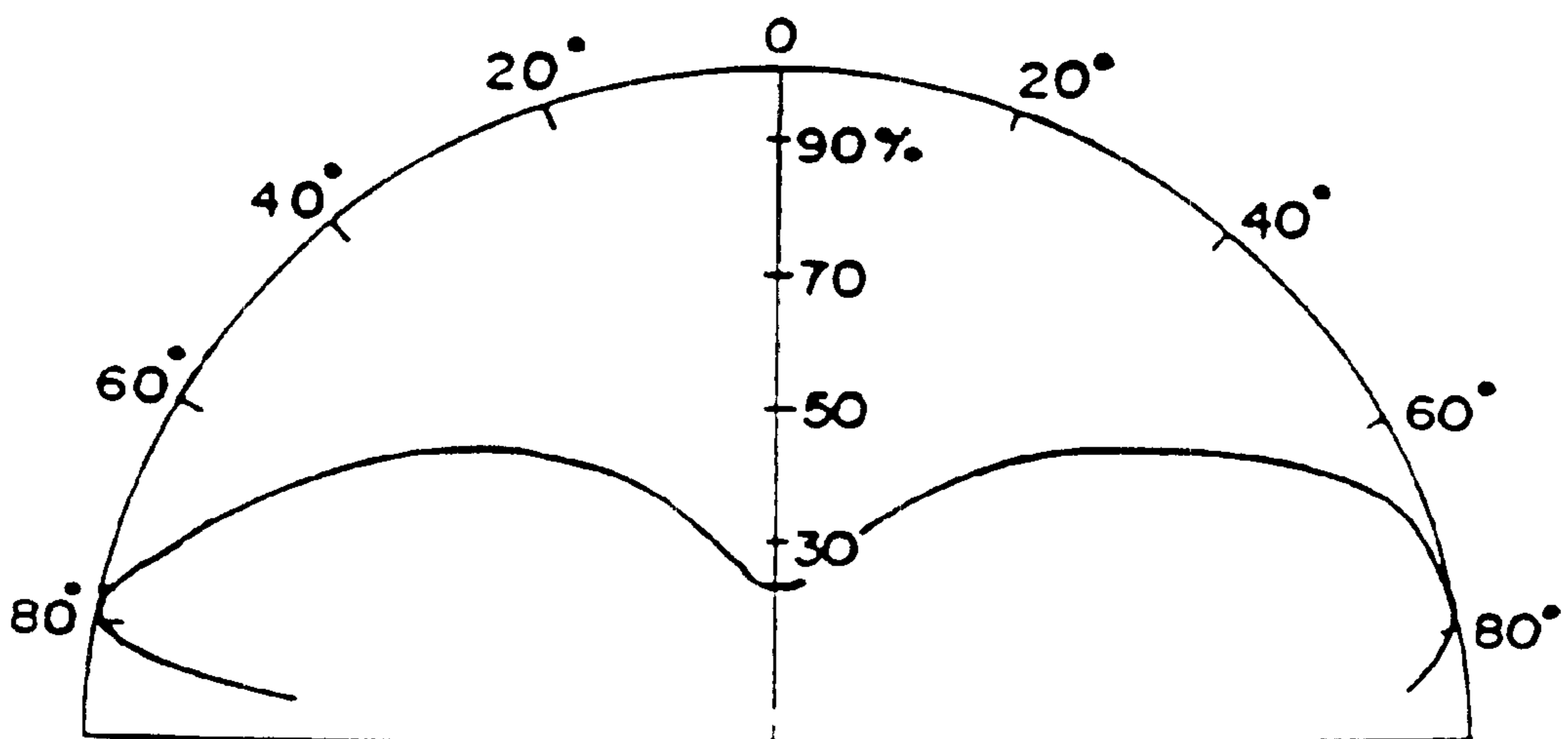


FIG. 28 (a)

Polygonal Pole-Shaped Lenticular Lens

Front Type

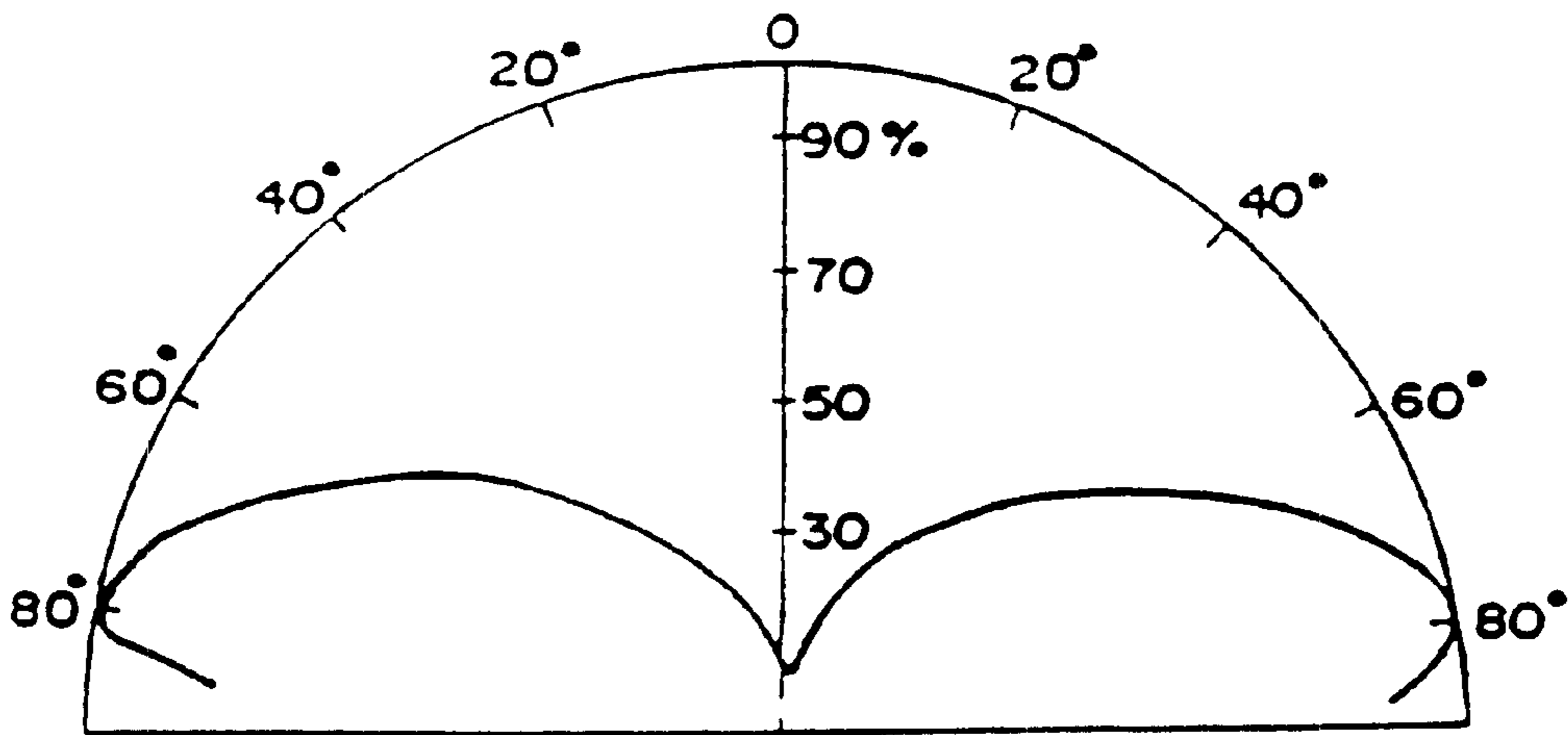


FIG. 28 (b)

Reverse Type

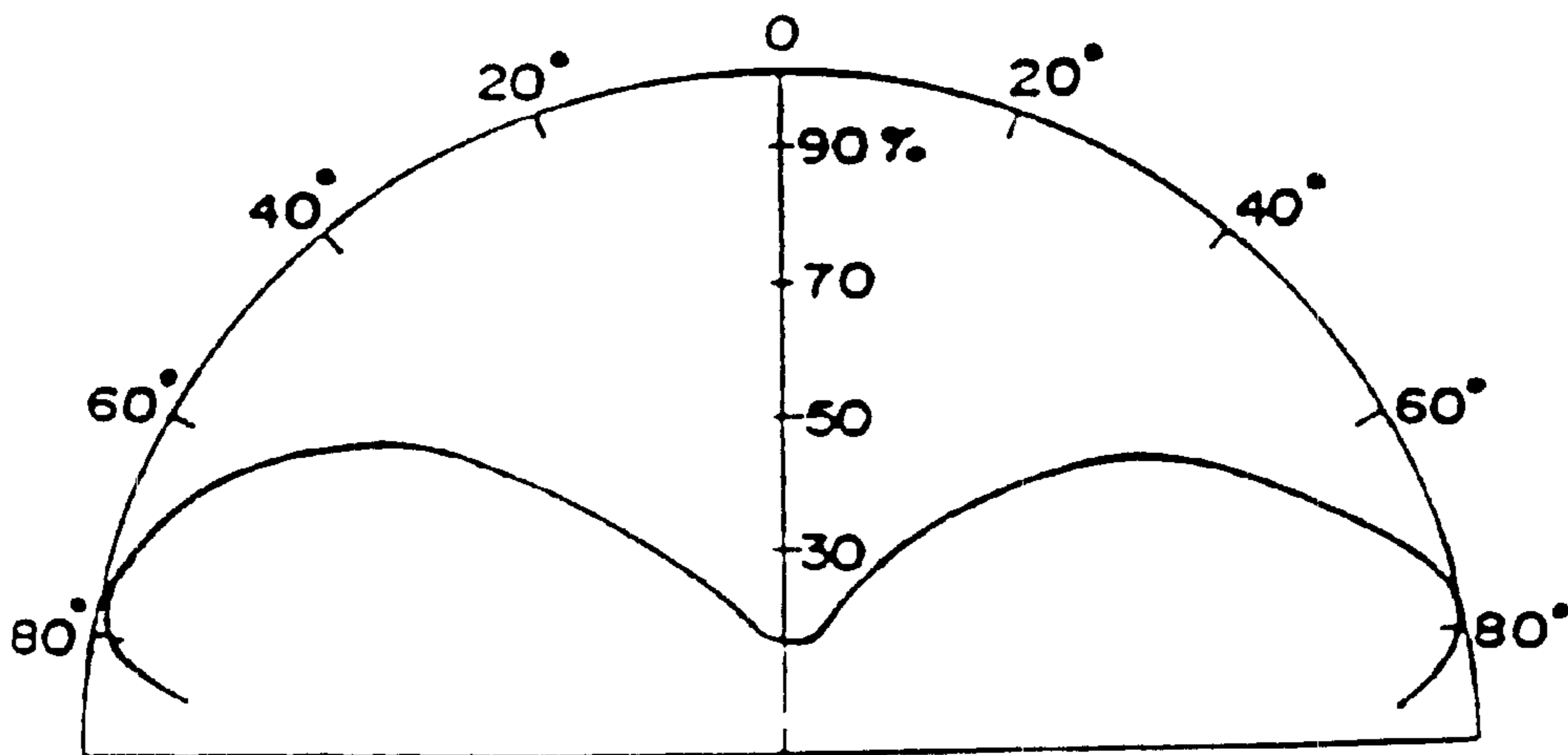


FIG. 29 (a)

Anisotropic Lenticular Lens A

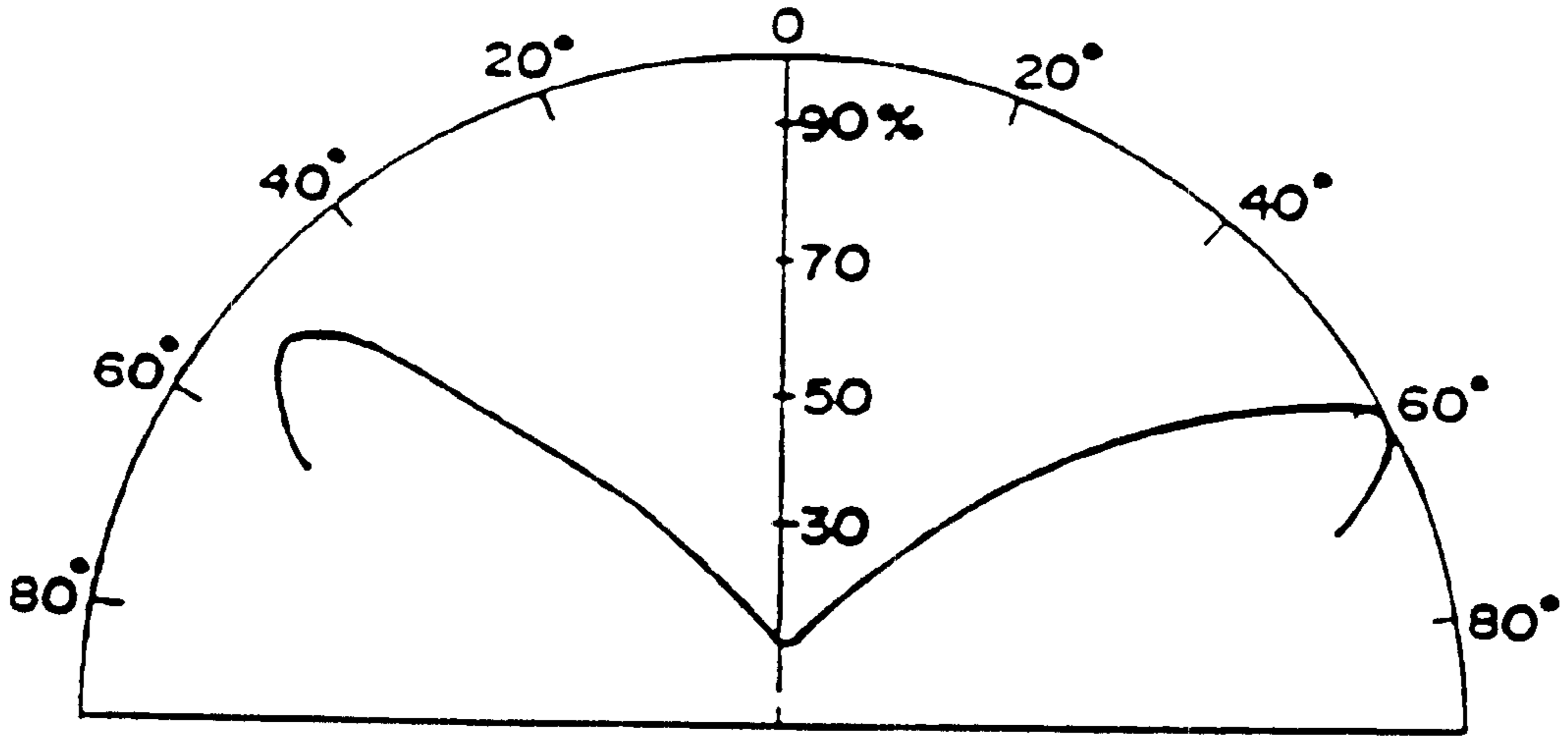


FIG. 29 (b)

Anisotropic Lenticular Lens B

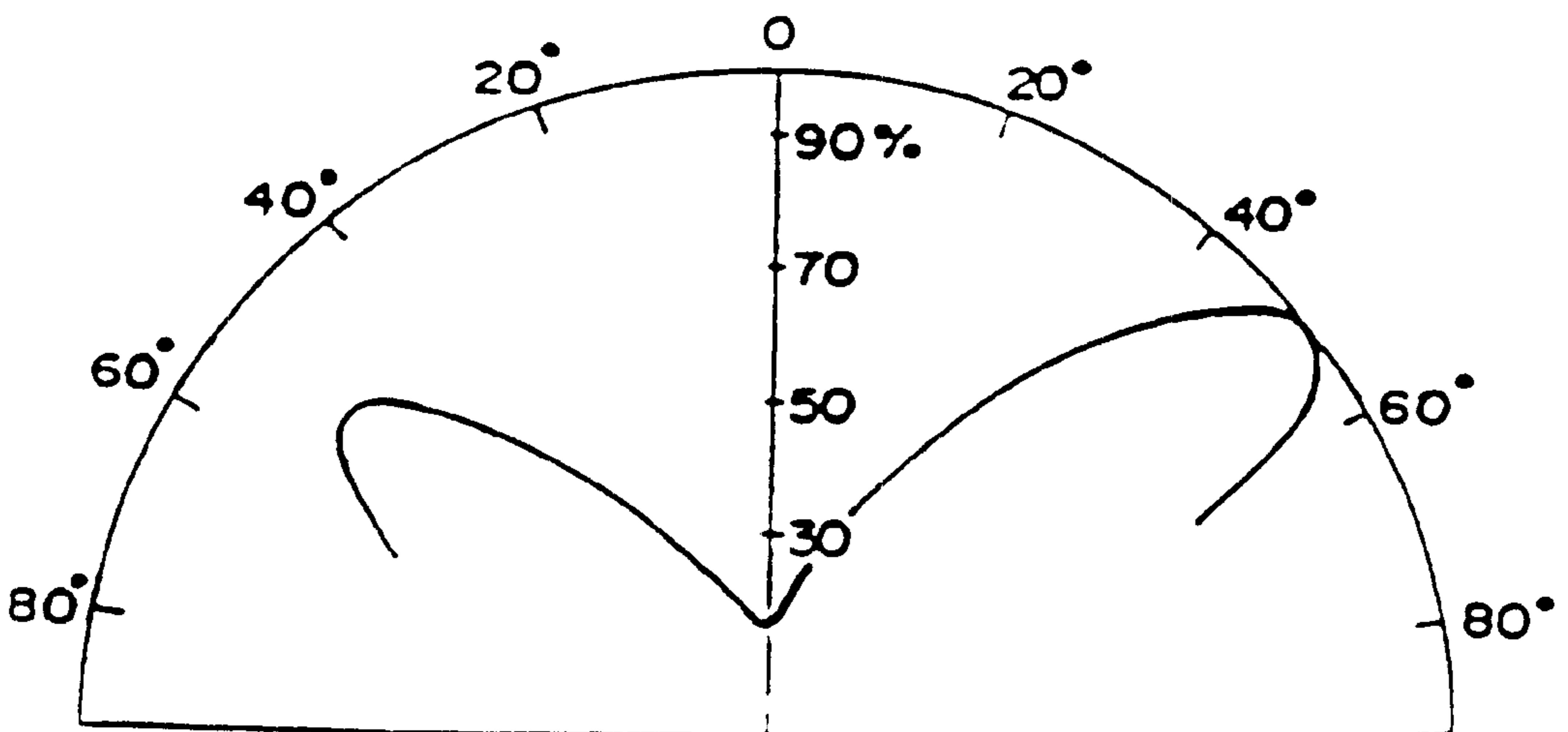


FIG. 30

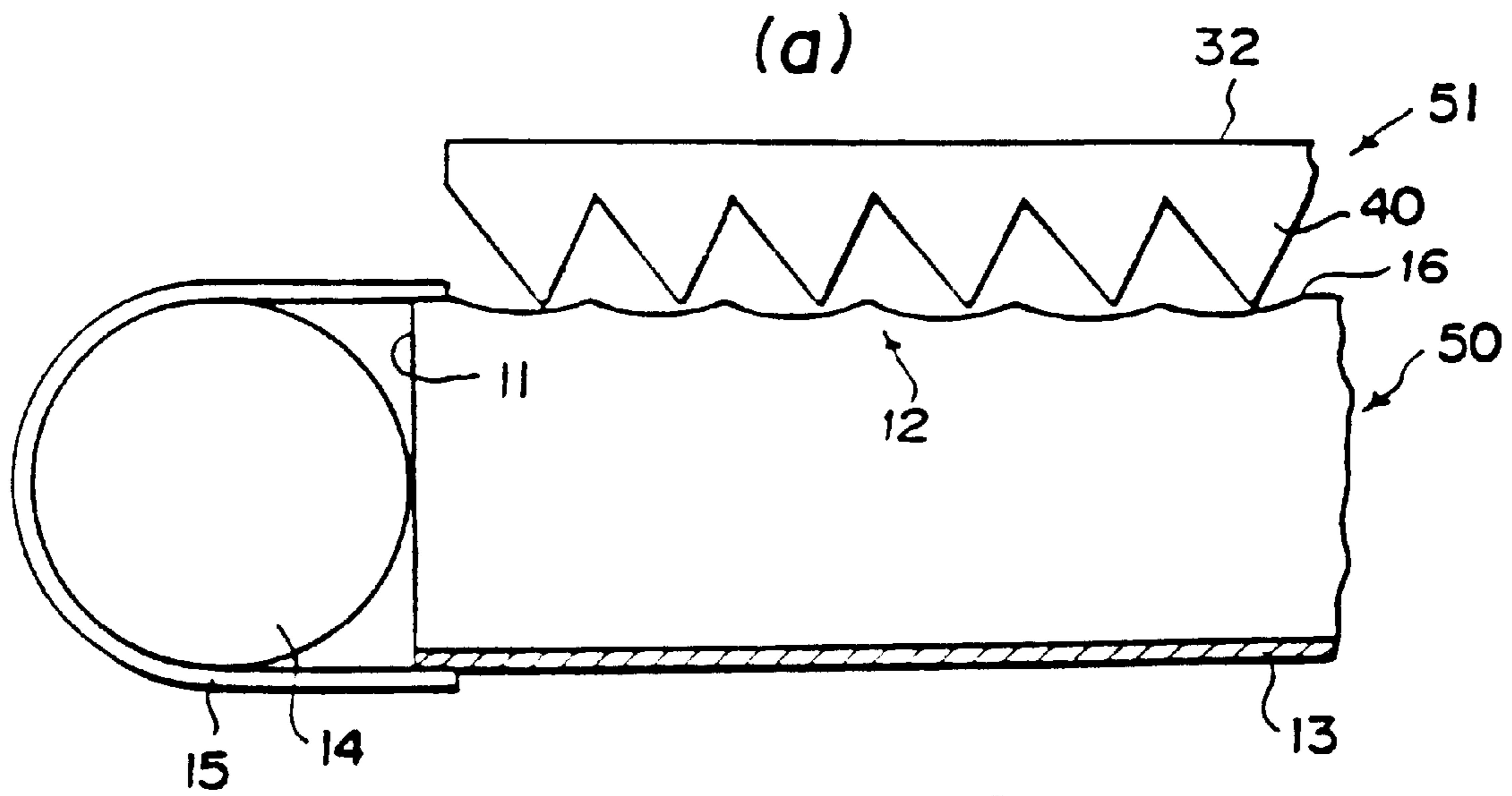


FIG. 30

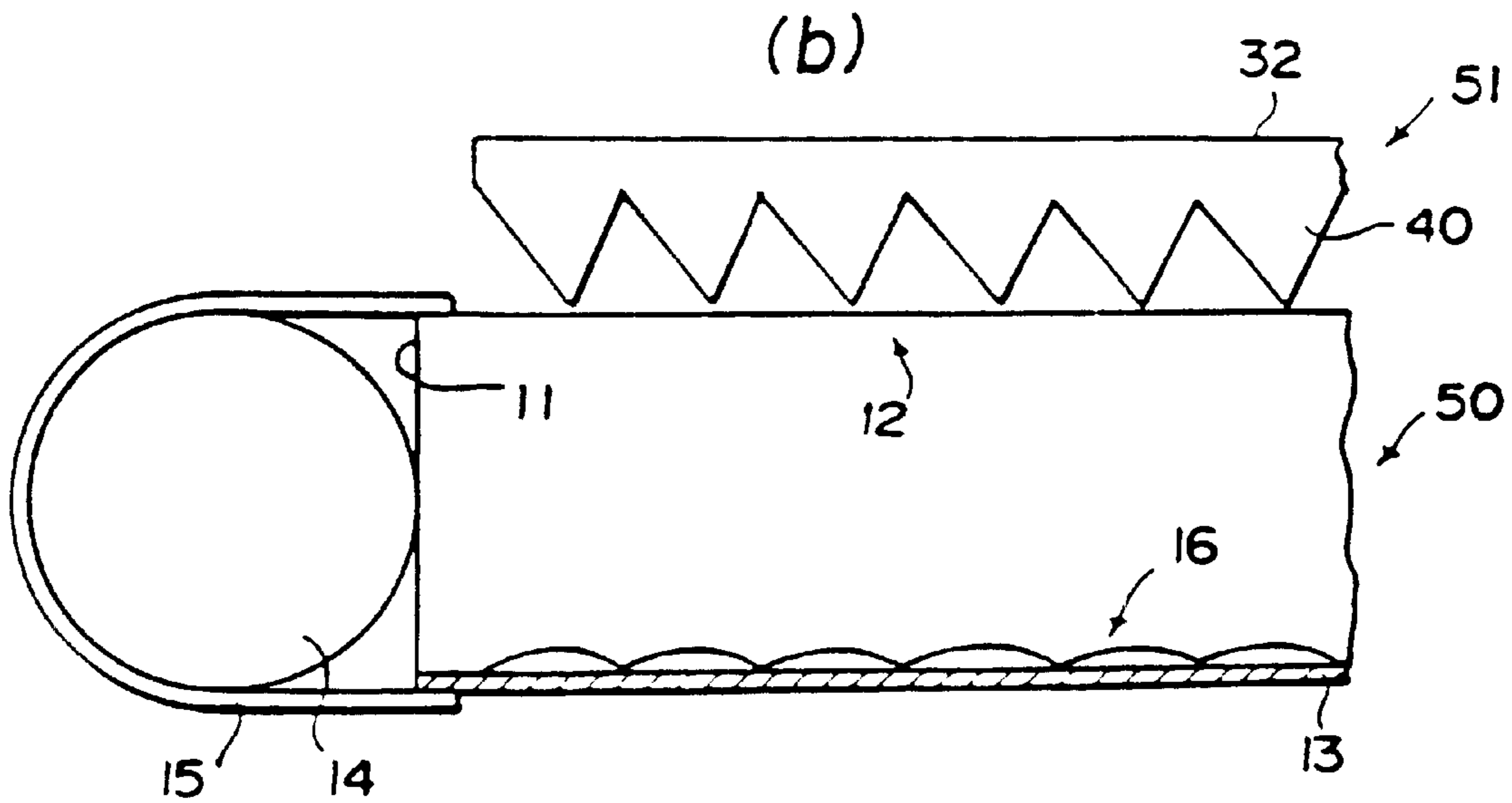


FIG. 31(a)

Light Distribution
1st Element:
Convex Cylindrical
Lenticular Lens

Front Type

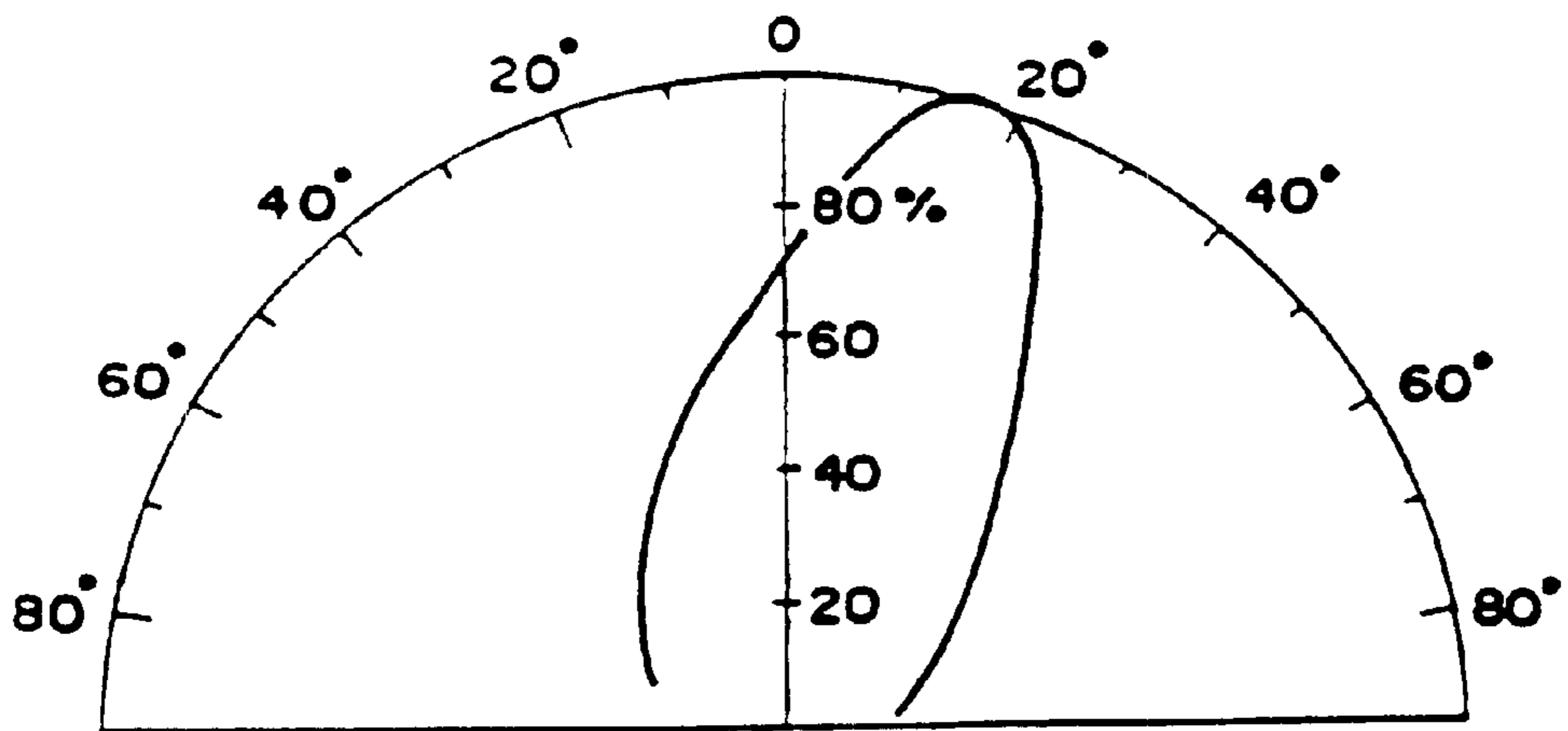


FIG. 31(b)

Reverse Type

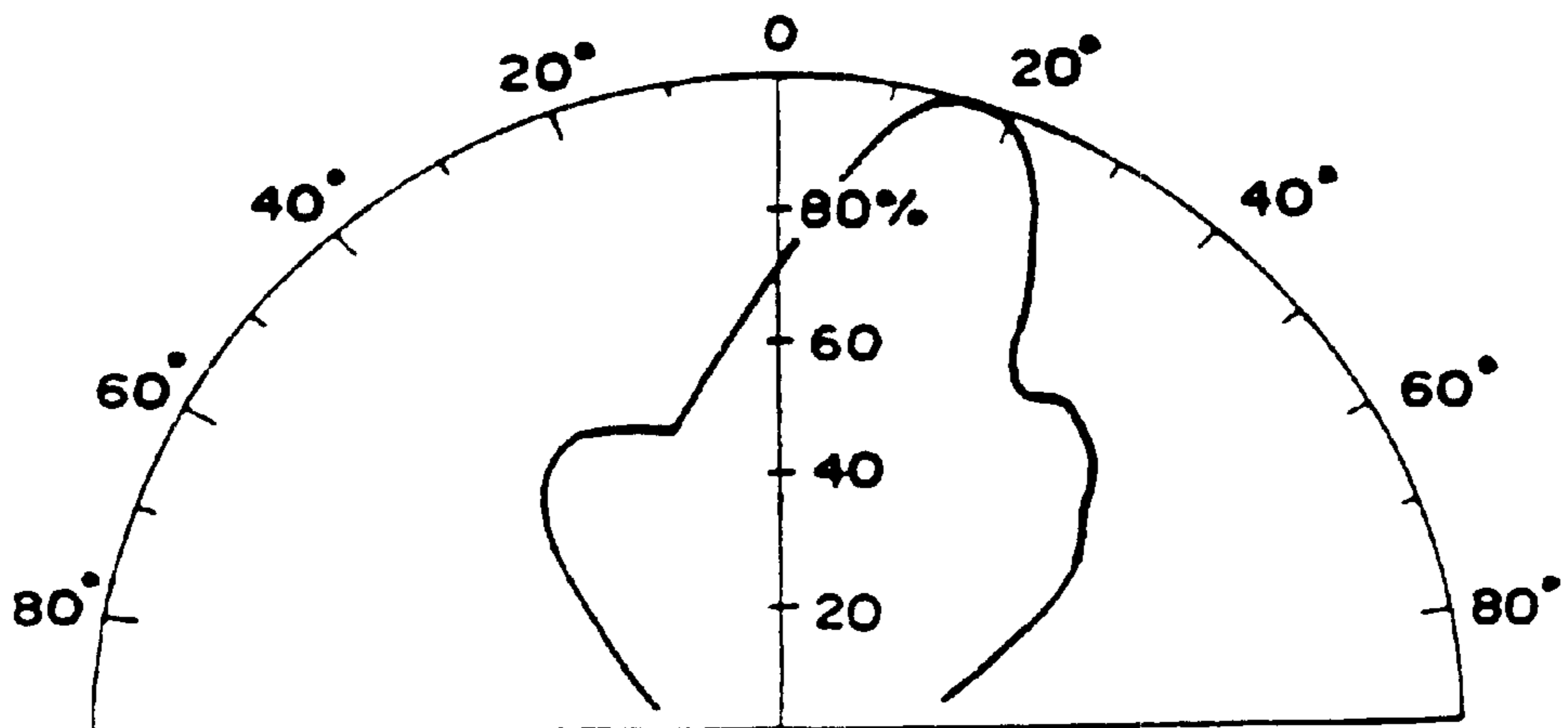


FIG. 32 (a)

Light Distribution
1st Element:
Triangular-Pole Shaped
Lenticular Lens

Front Type

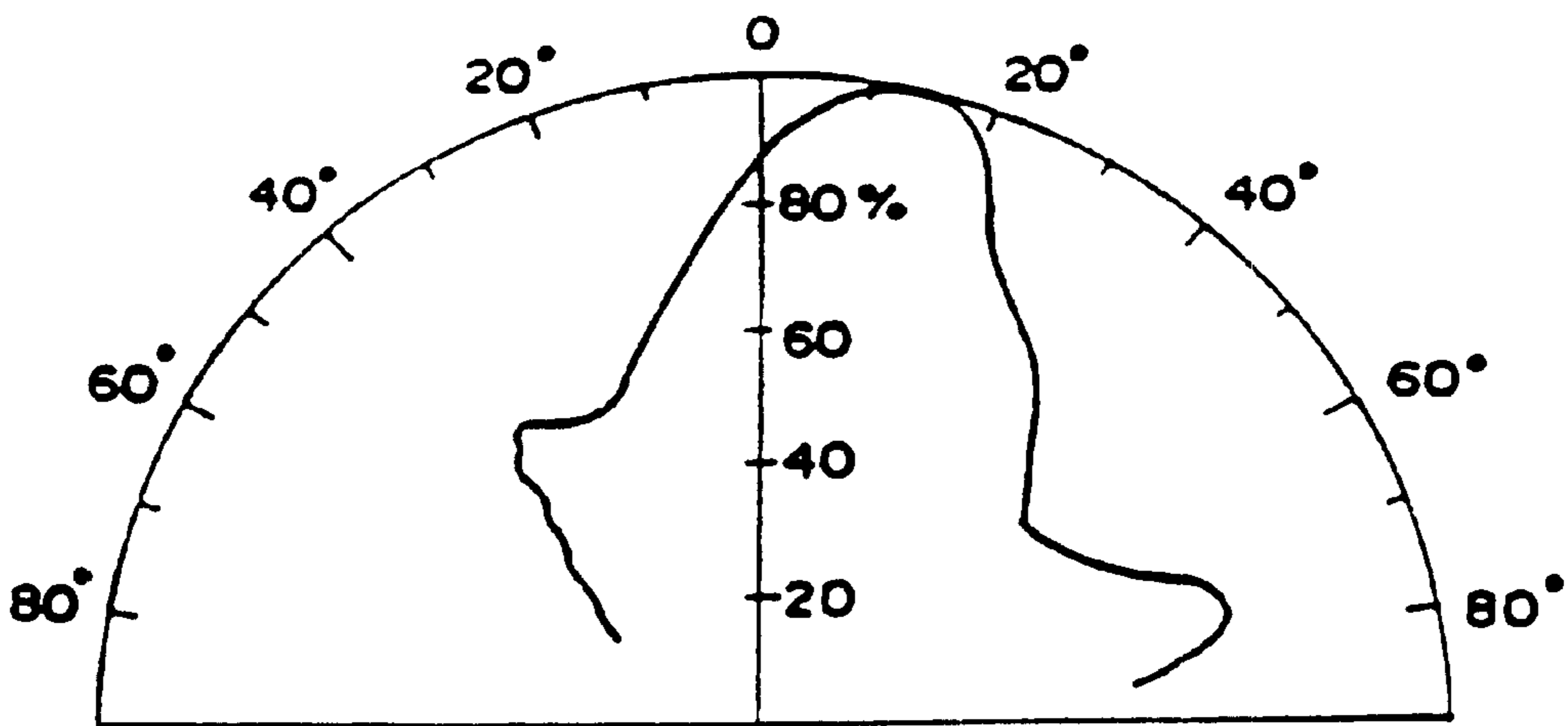


FIG. 32 (b)

Reverse Type

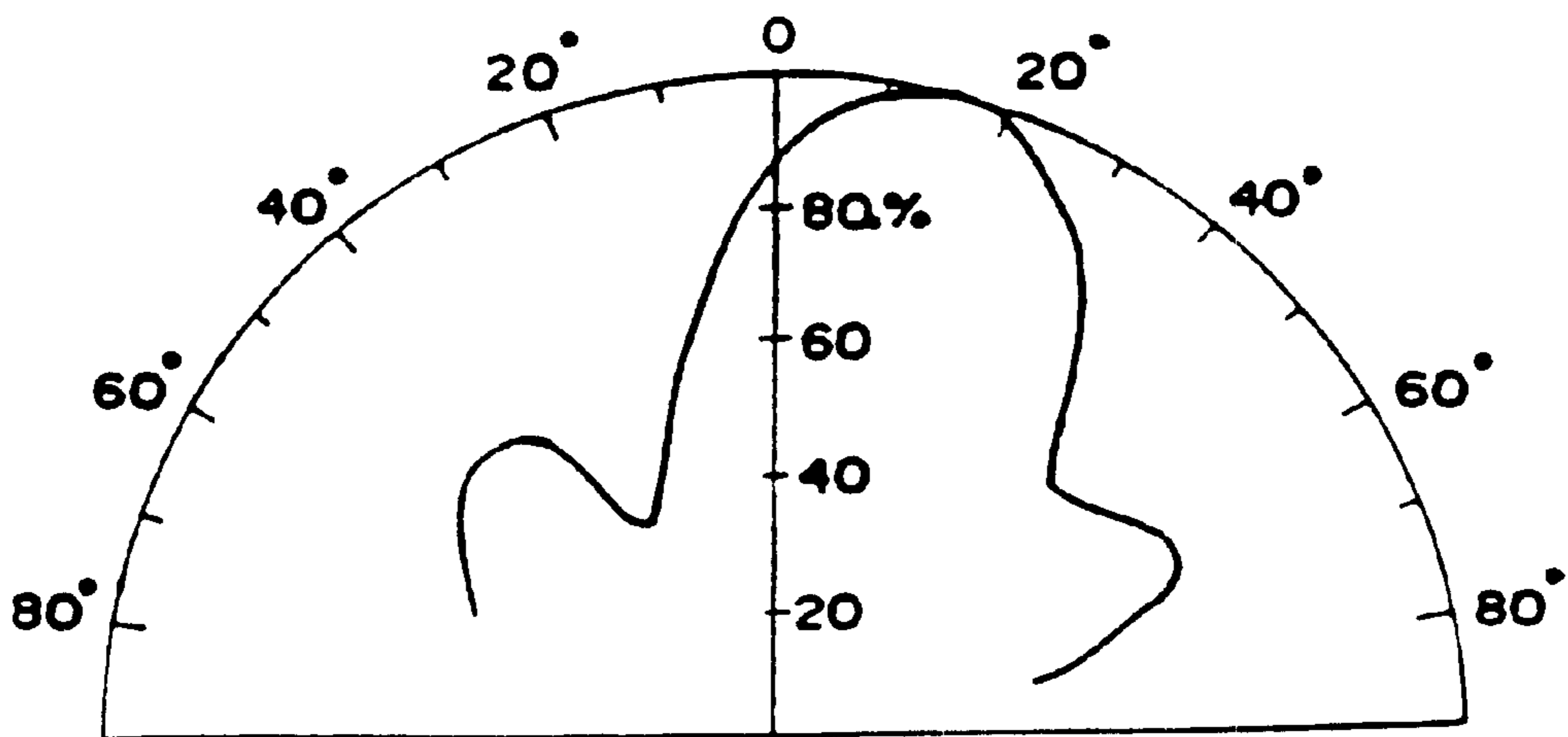


FIG. 33 (a)

Light Distribution
1st Element:
Concave Cylindrical
Lenticular Lens

Front Type

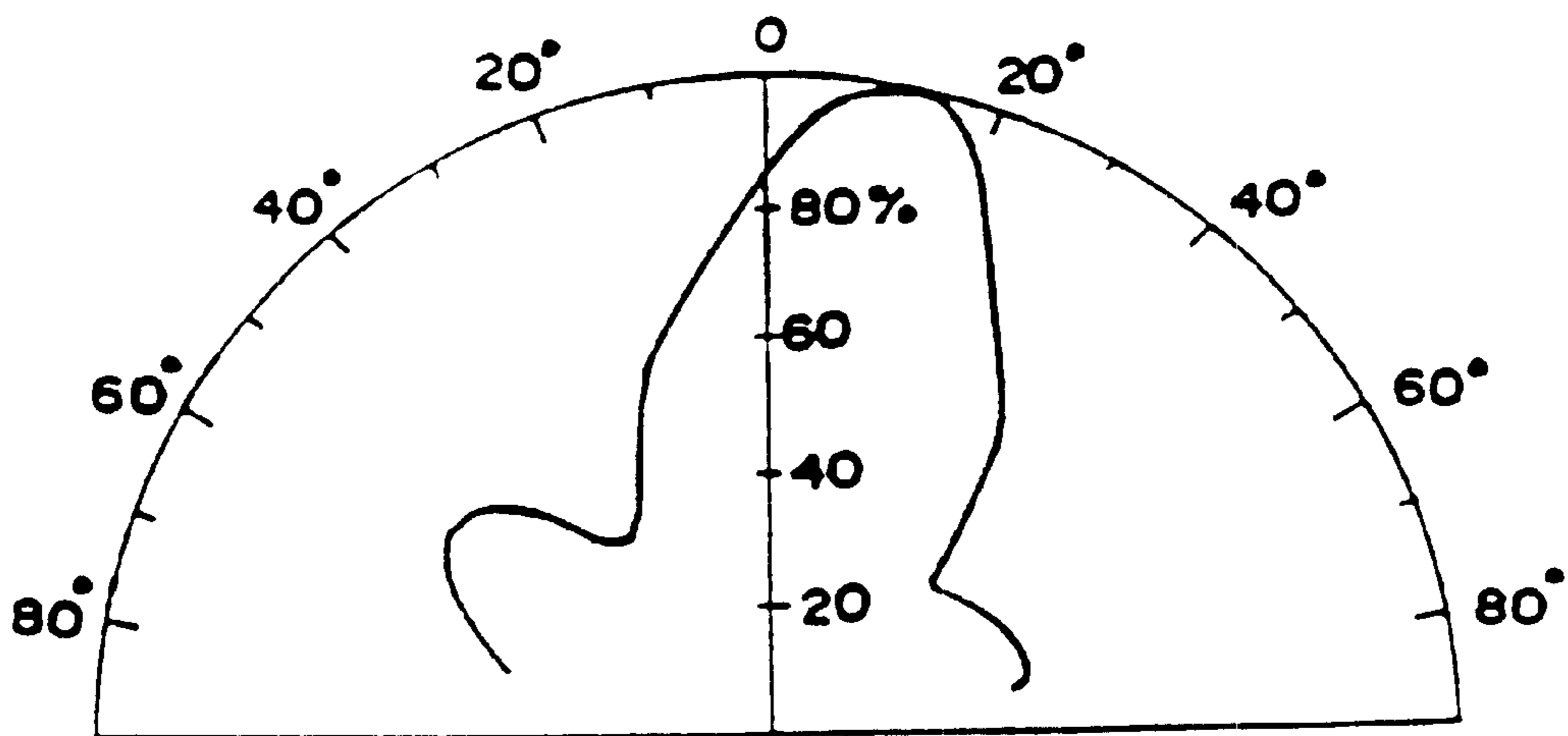


FIG. 33 (b)

Reverse Type

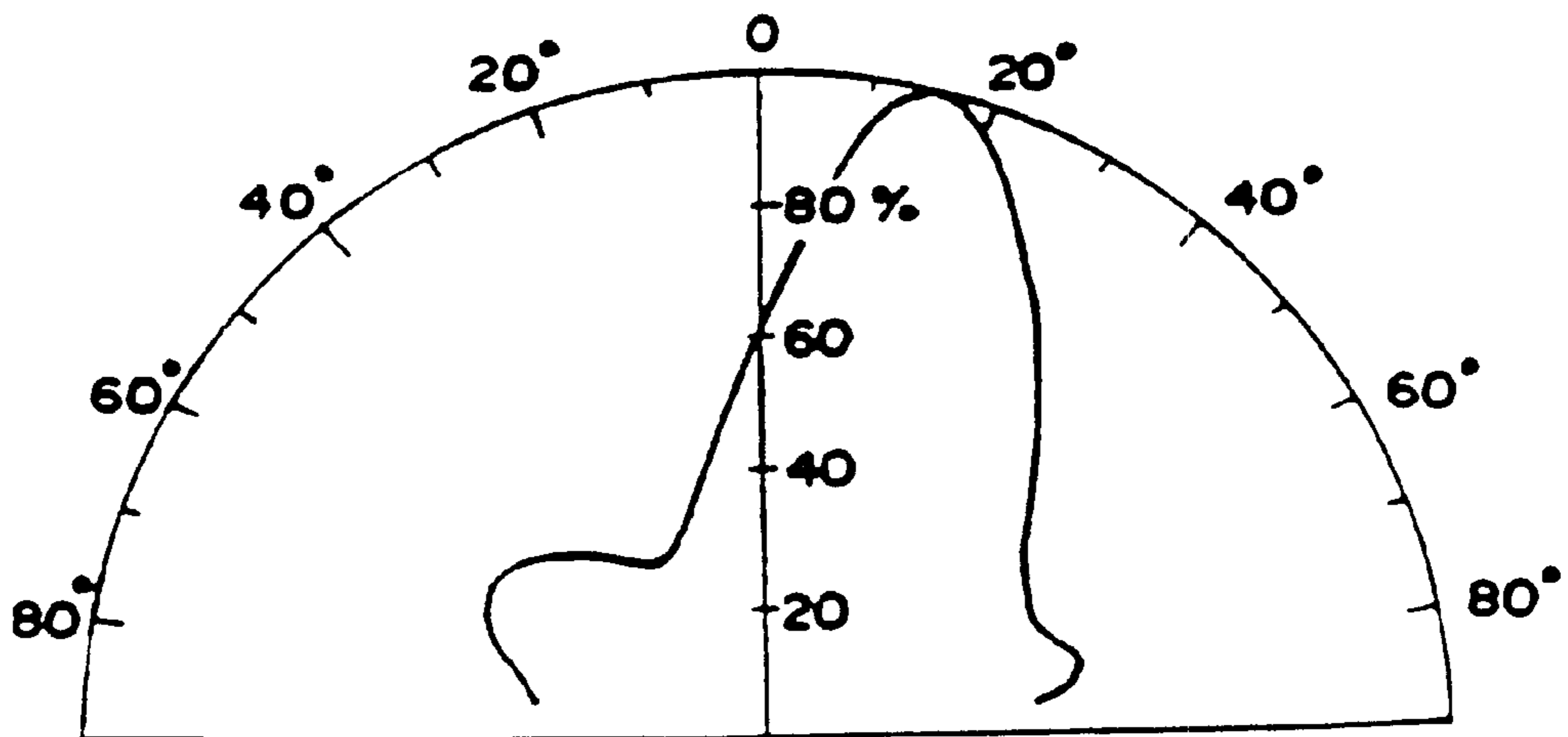


FIG. 34 (a)

Light Distribution
1st Element:
Polygonal-Pole Shaped
Lenticular Lens

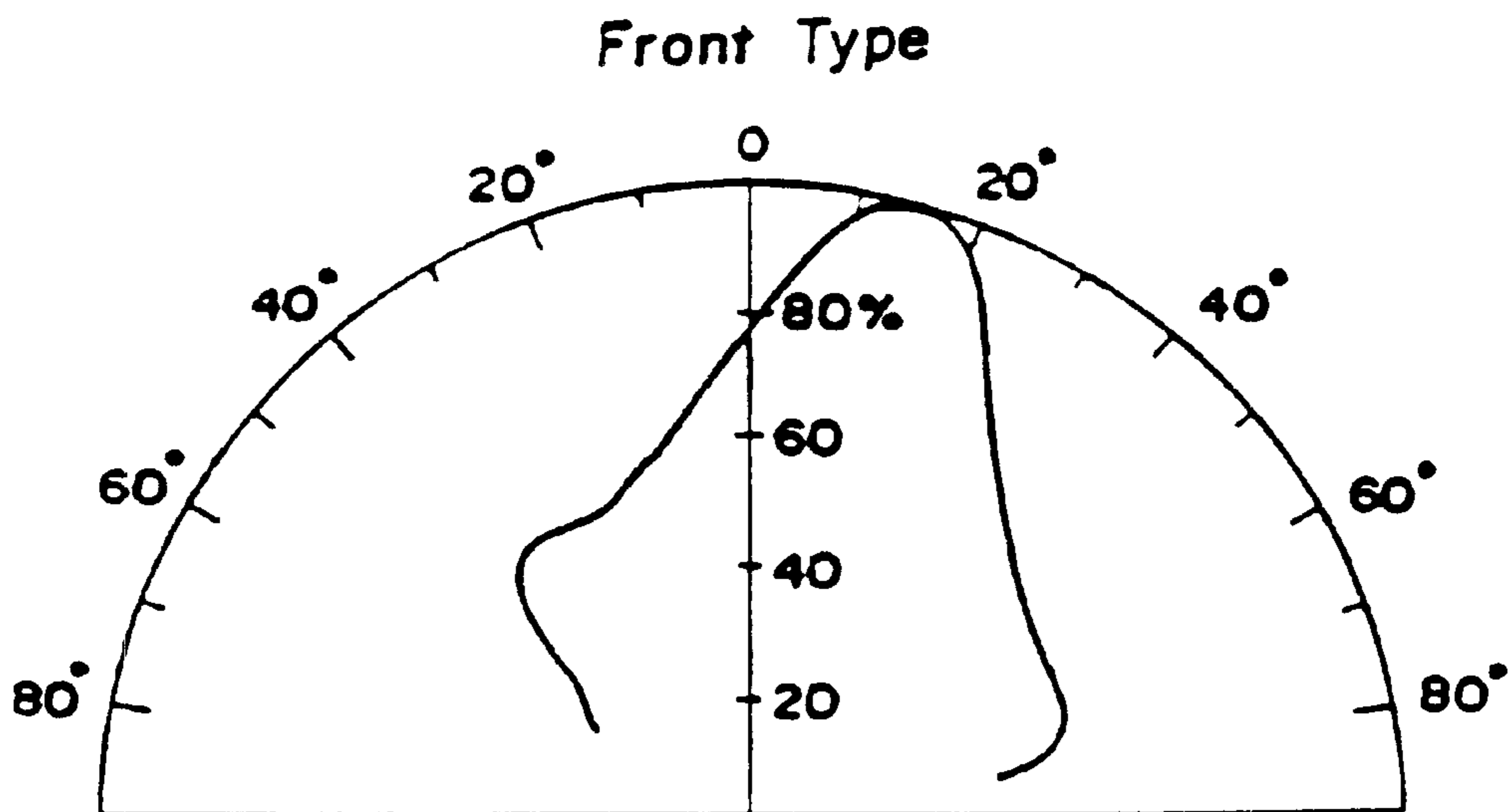


FIG. 34 (b)

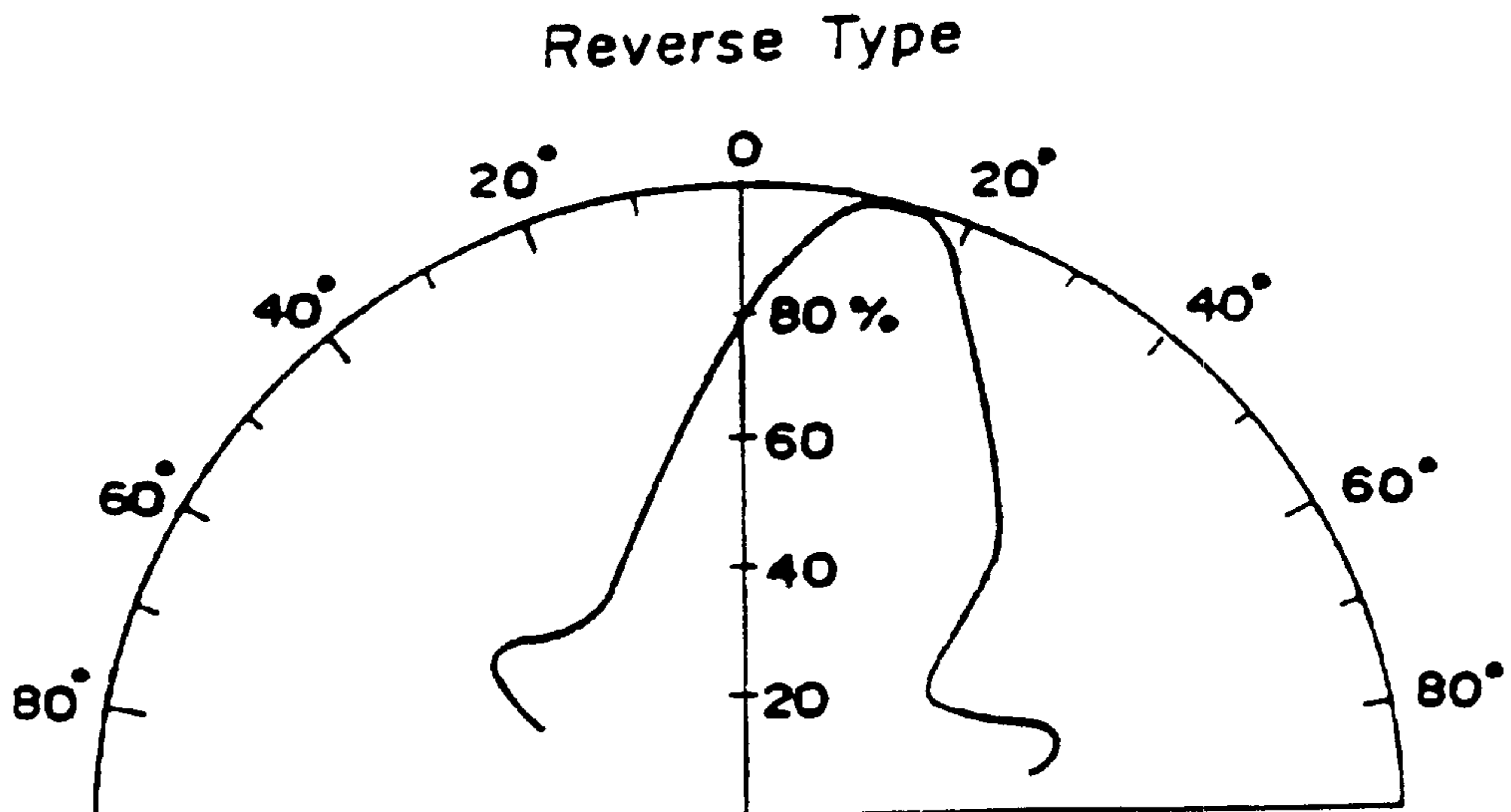


FIG. 35 (a)

Light Distribution
1st Element:
Anisotropic
Lenticular Lens A

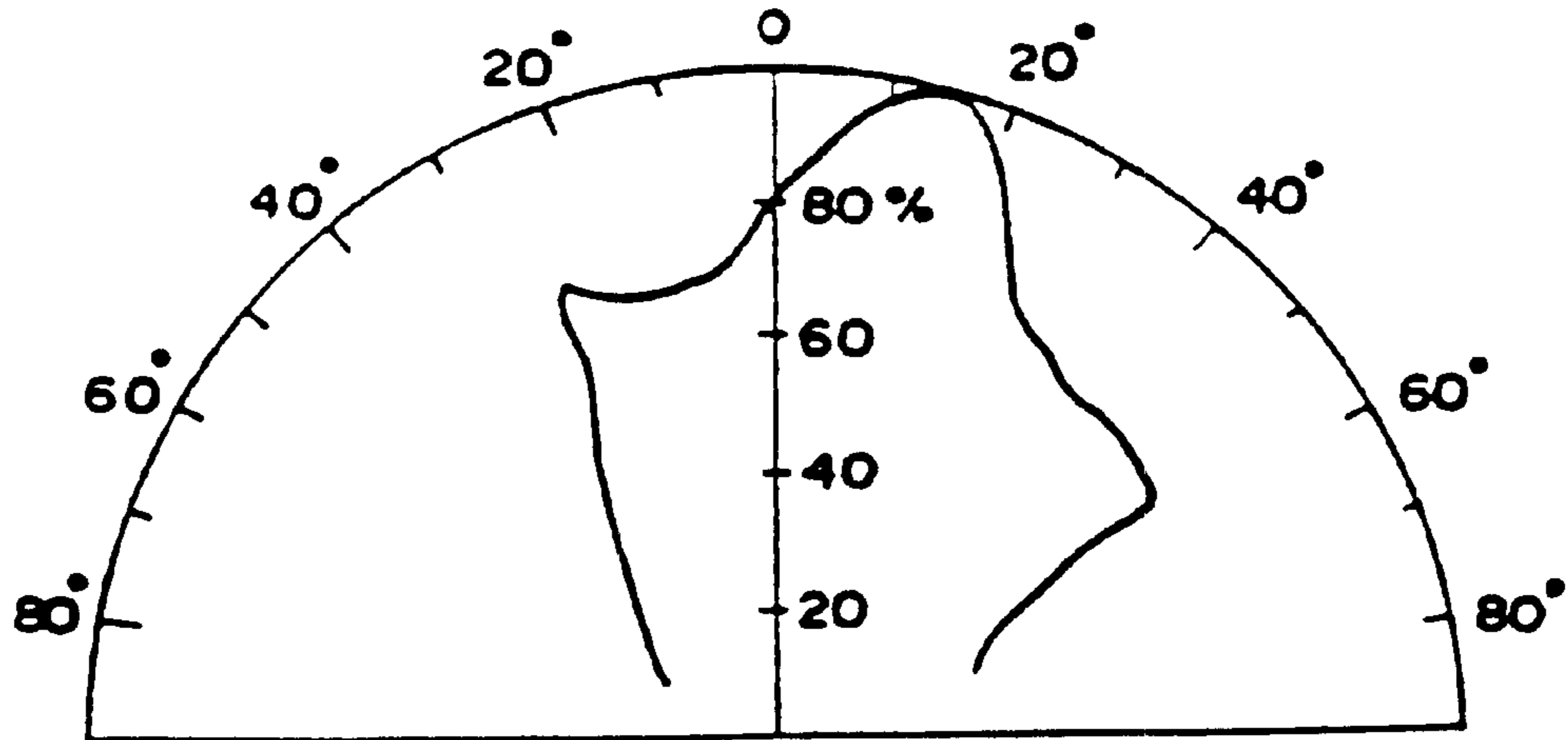


FIG. 35 (b)

Light Distribution
1st Element:
Anisotropic
Lenticular Lens B

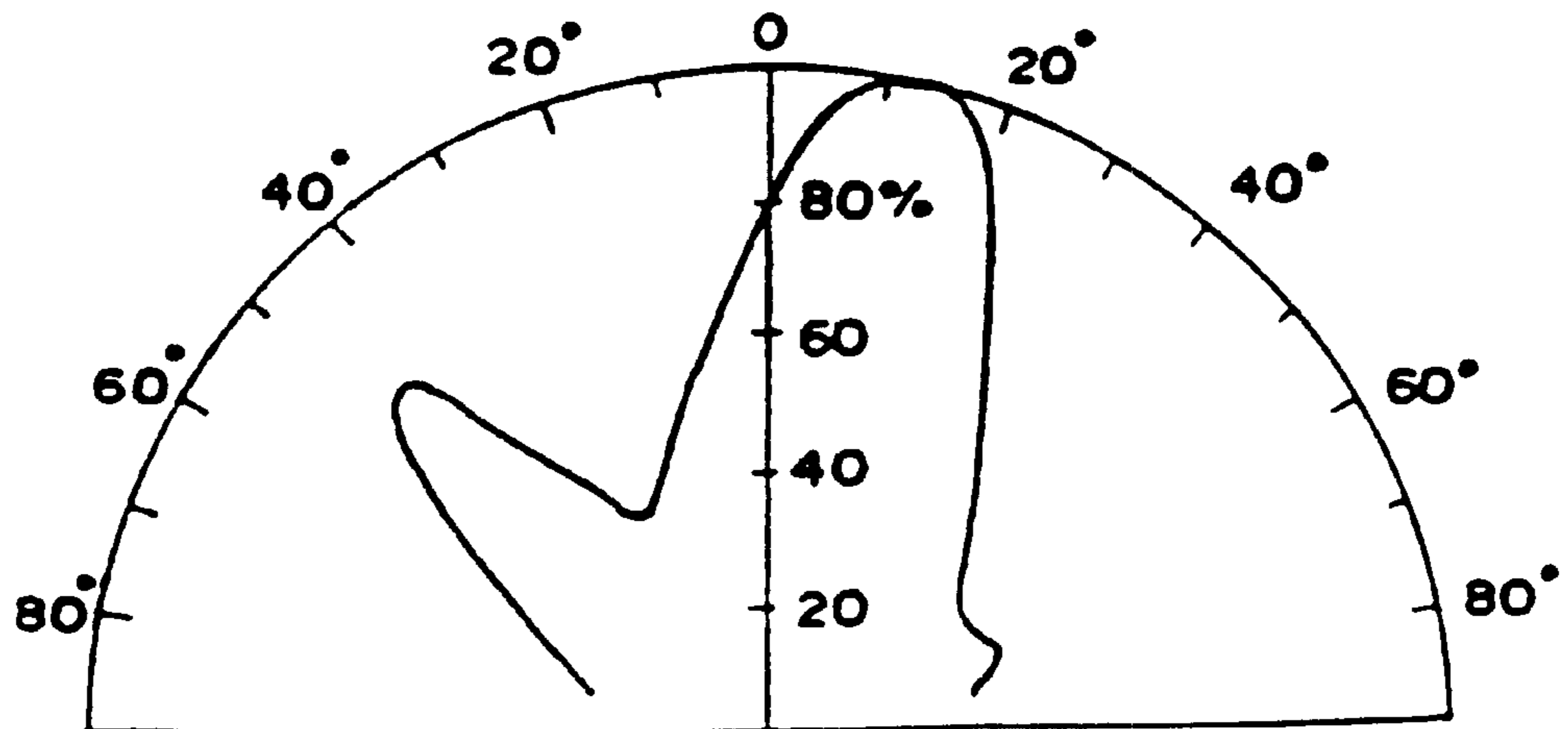


FIG. 36

(a)

Sample-1 Haze 70.8 % Maximum Luminance Value 1660 cd/m²

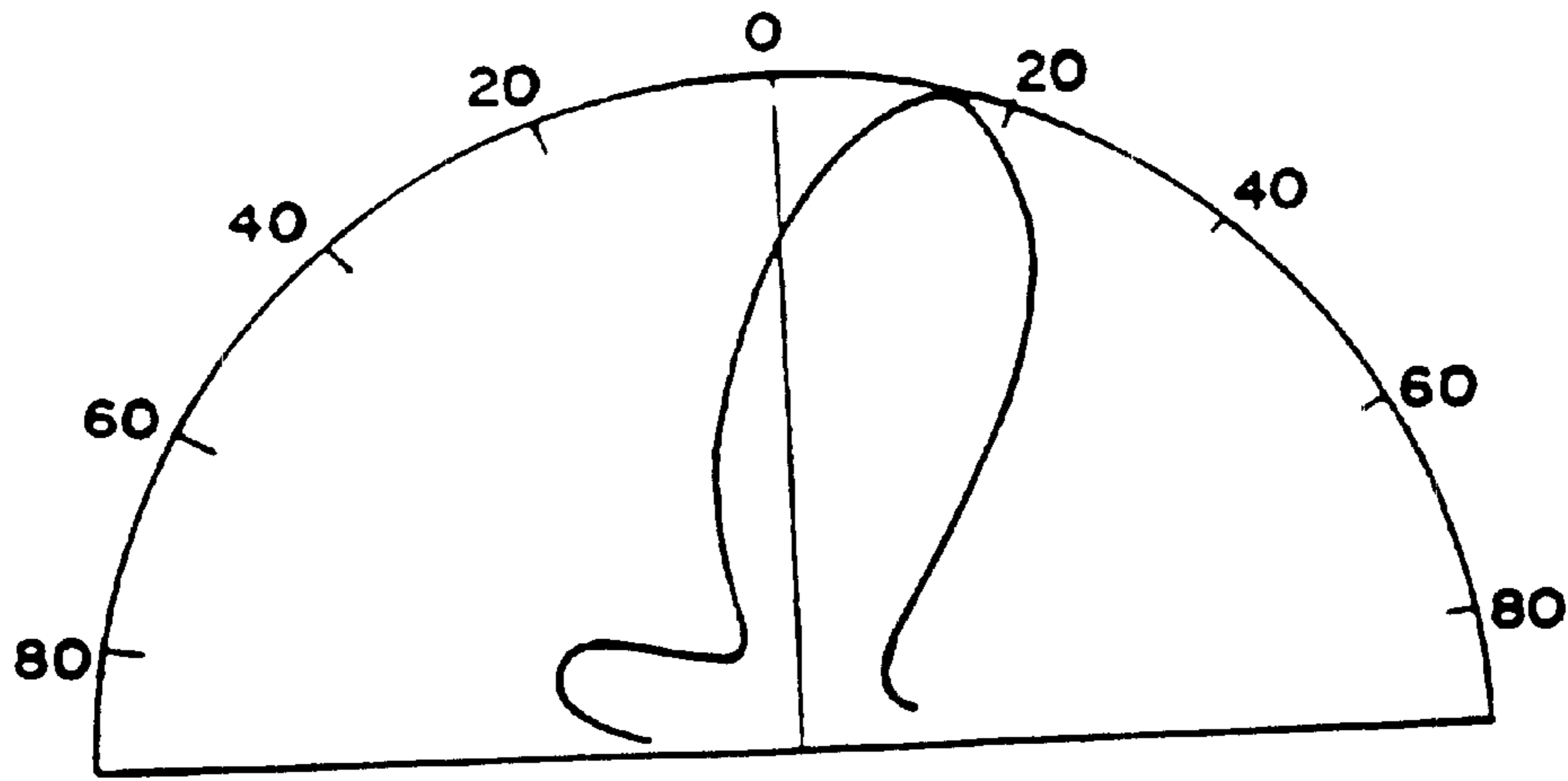


FIG. 36

(b)

Sample-2 Haze 64.8 % Maximum Luminance Value 1450 cd/m²

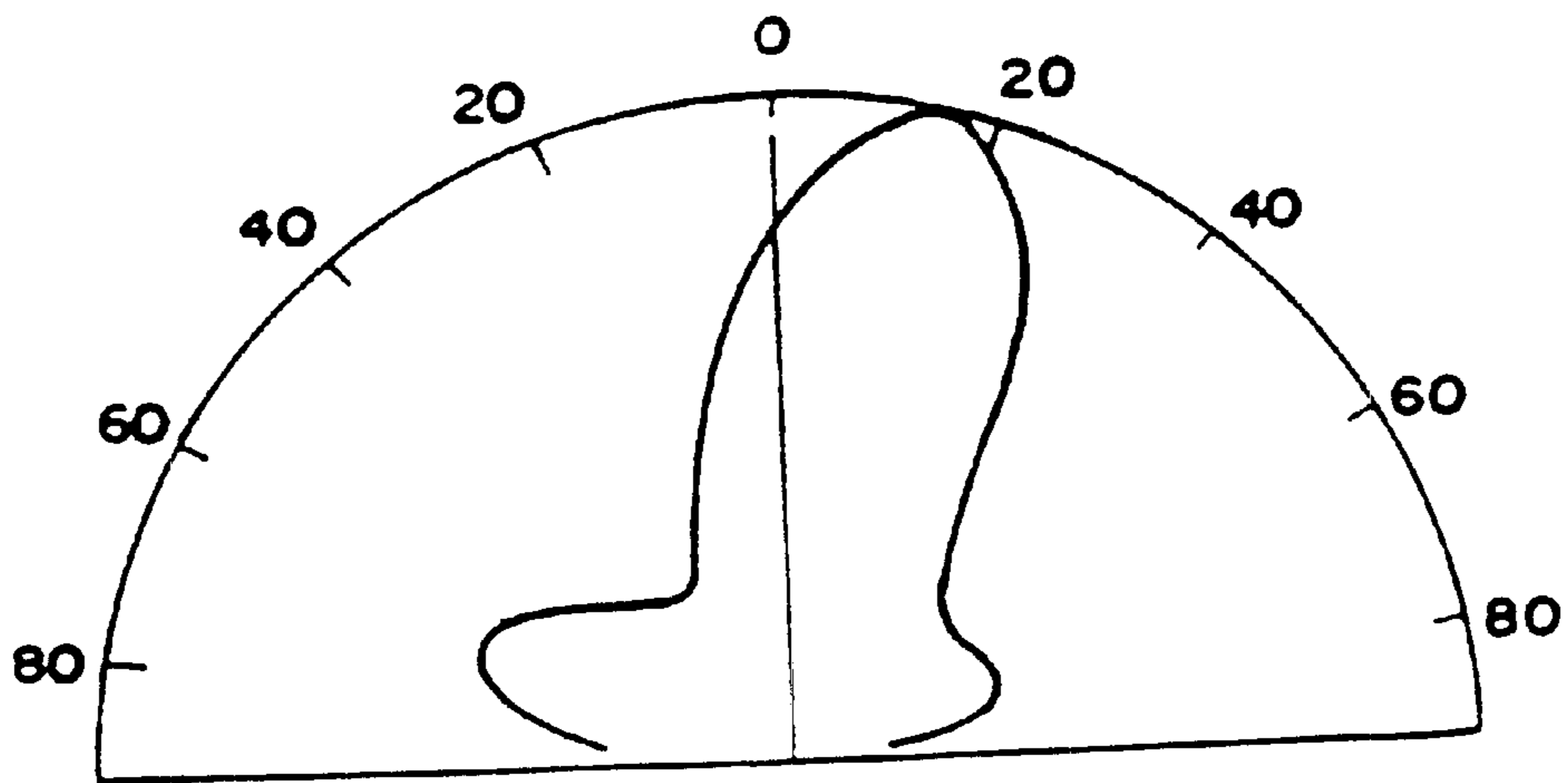


FIG. 36

(c)

Sample- 3

Haze 40.8 %

Maximum Luminance
Value 1300 cd/m²

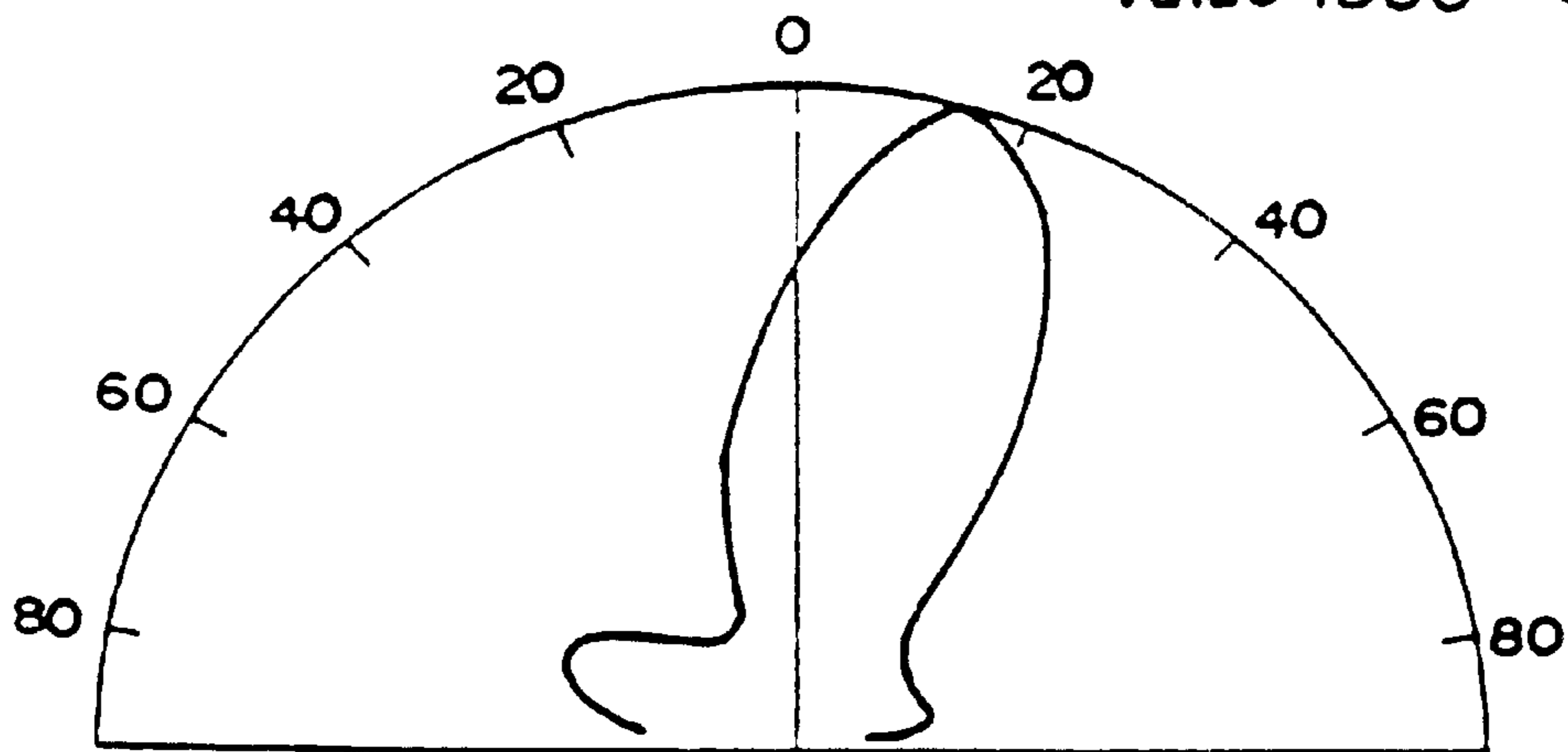


FIG. 36

(d)

Sample- 4

Haze 28.8 %

Maximum Luminance
Value 1340 cd/m²

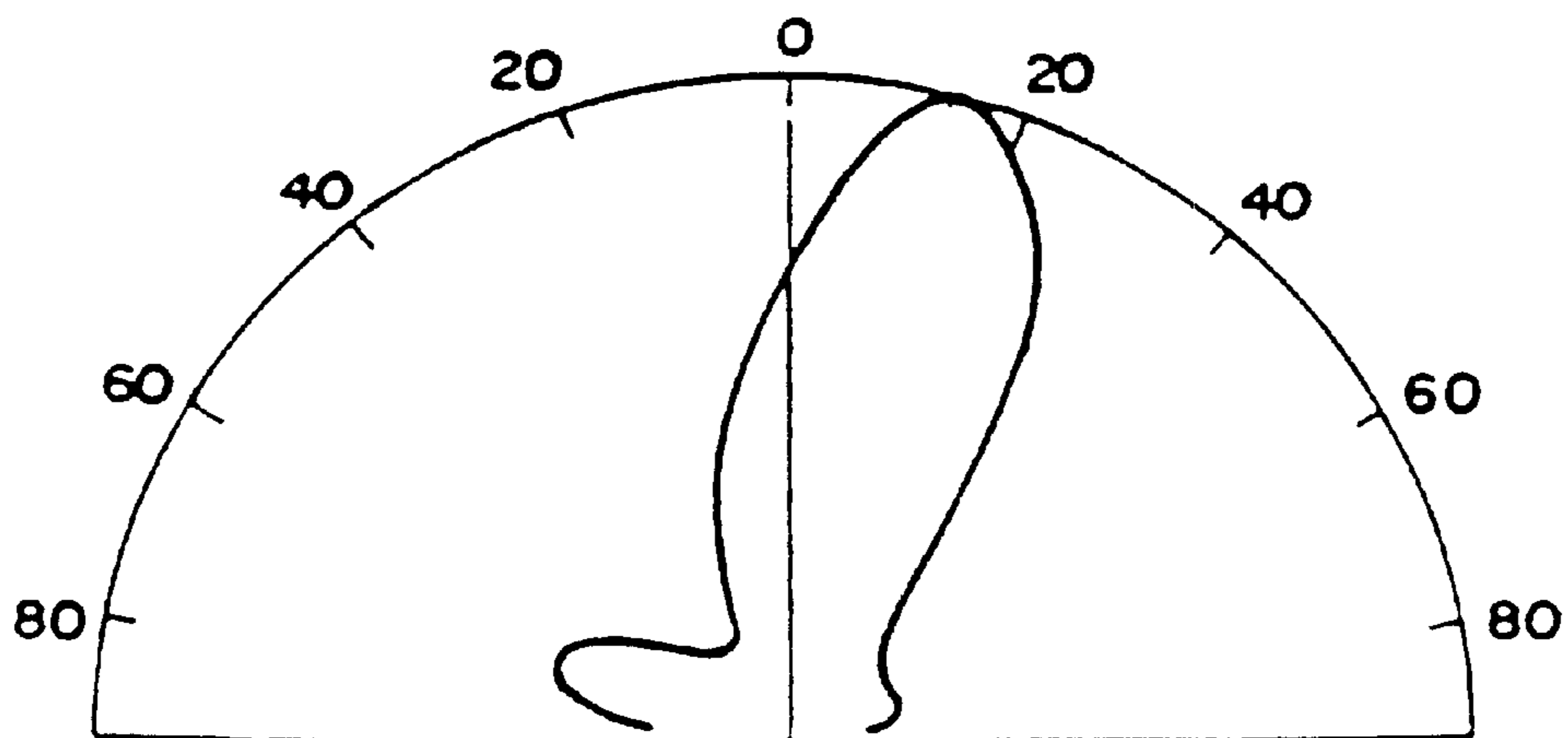


FIG. 36

(e)

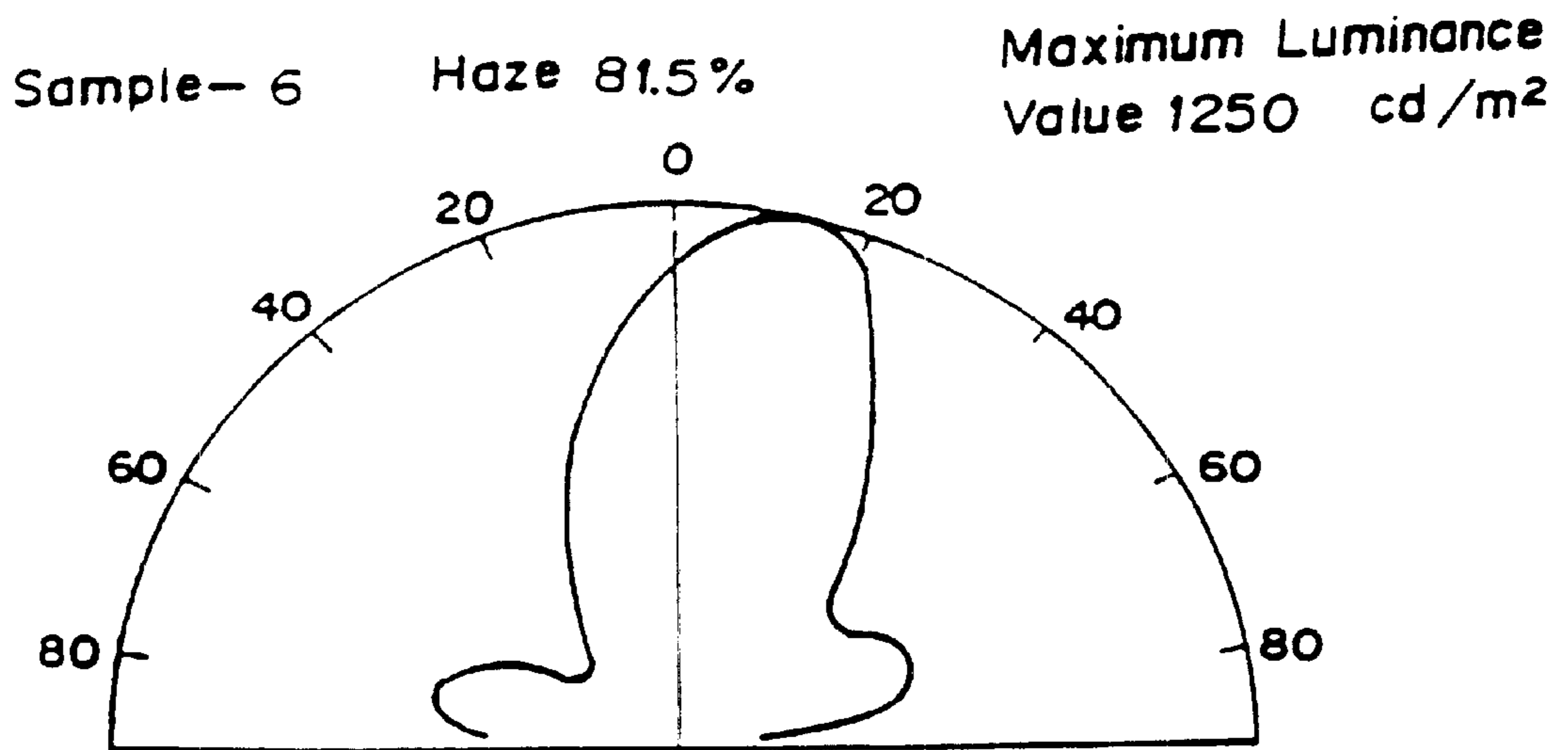


FIG. 36

(f)

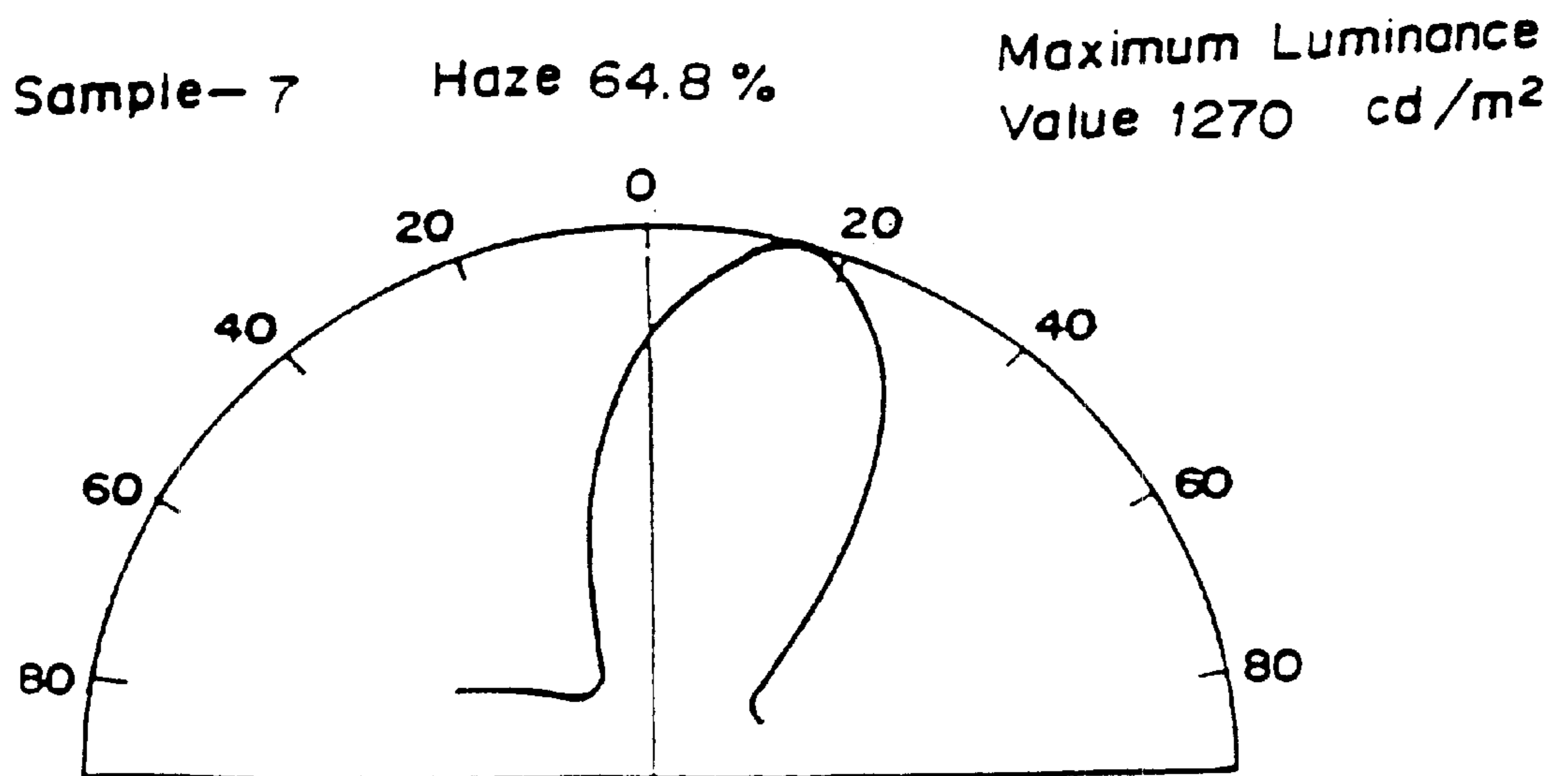


FIG. 37

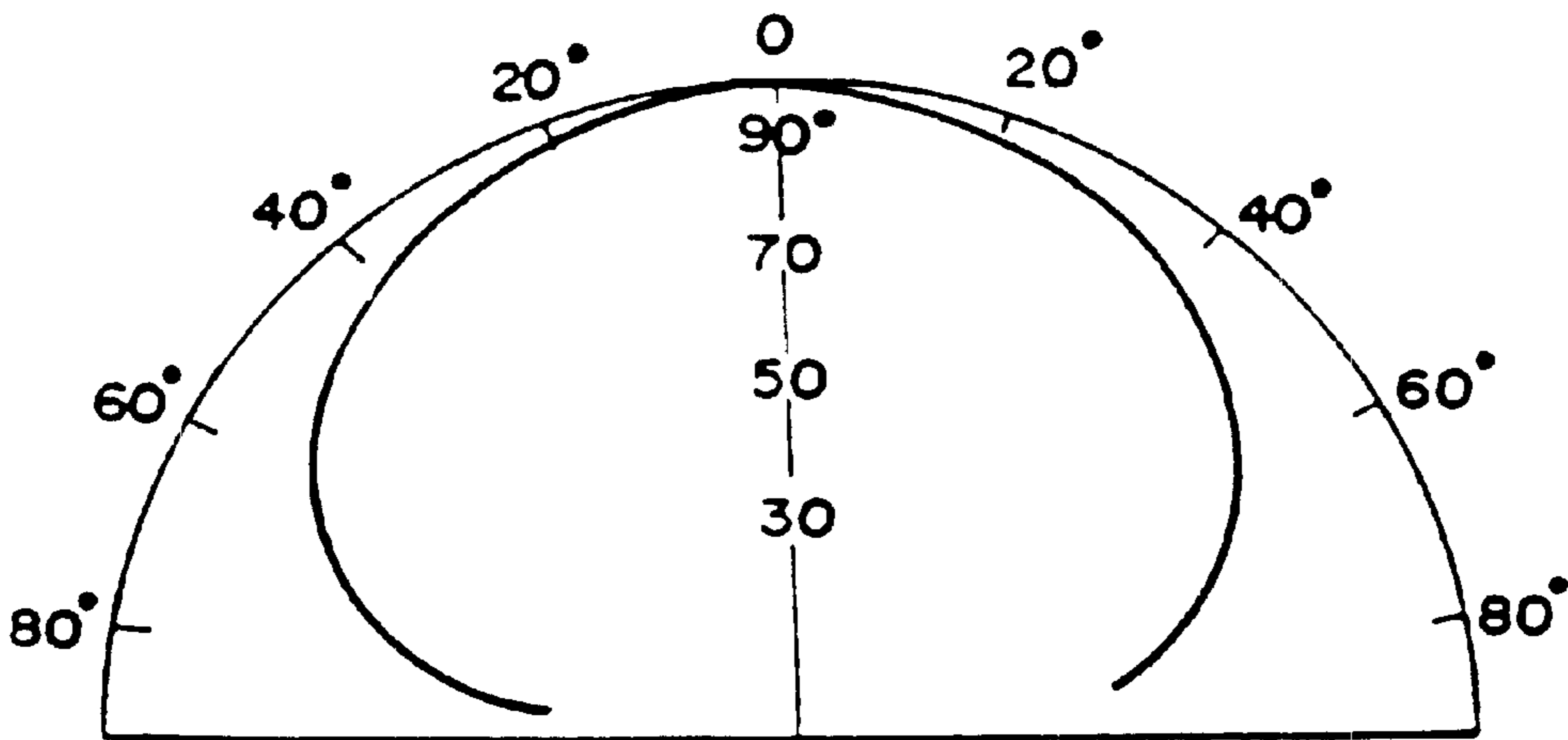
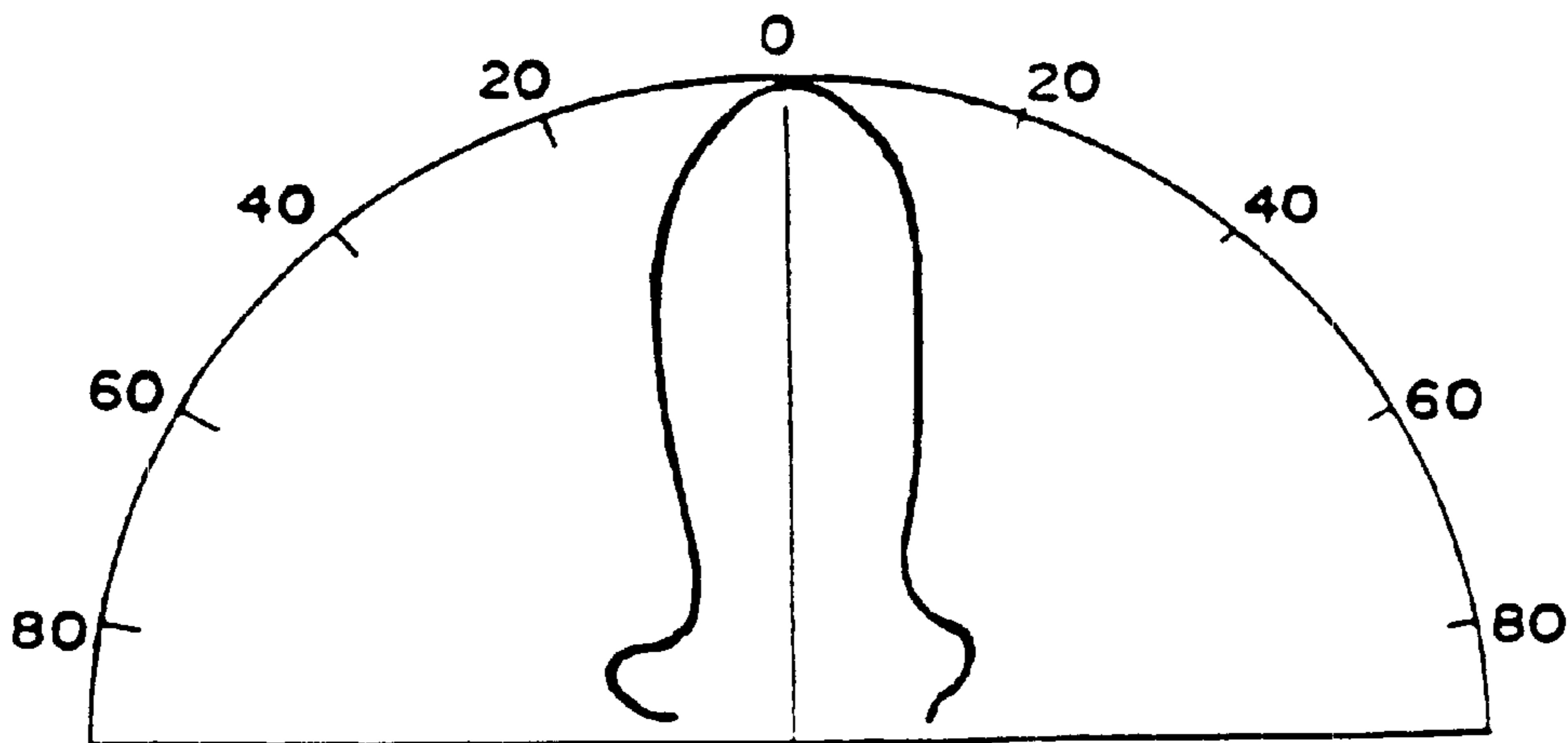


FIG. 38

$\theta_1 = \theta_2$

Haze 70.8%

Maximum Luminance
Value 1780 cd/m²



PLANE LIGHT SOURCE UNIT

Matter enclosed in heavy brackets [] appears in the original patent but forms no part of this reissue specification; matter printed in italics indicates the additions made by reissue.

This is a continuation of application Ser. No. 08/267,380, filed on Jun. 29, 1994, now U.S. Reissue Pat. No. Re. 35,704.

BACKGROUND OF THE INVENTION

1. Field of the Invention

This invention relates to a plane light source unit, and more particularly to a plane light source unit which is applied advantageously as a backlighting means for a liquid crystal display device or the like.

2. Description of the Prior Art

Conventionally, a backlighting means for a liquid crystal display device or the like generally has such a construction that a lamp is located at a focus of a reflector having a parabolic section while a milk-white diffusing plate is located above the lamp. Various inventions have been made to optimize the configuration of a reflector, to adjust the diffusion coefficient of a diffusing plate, and so on.

Special constructions have also been provided which employ such a combination of a linear lamp and a light guide, one side end of which is adjacent to the lamp, and the configuration of the light guide is simulated by approximation to a point source and worked into a curved surface so as to emit the light in a particular direction, or the thickness of the light guide is varied along the direction of light, or else a lenticular is used wherein the prism angle is varied in accordance with the distance from the lamp, or otherwise such configurations as described above are combined suitably. With approximation to a point source, a light path can be simulated in almost every case, and it is possible to change the configuration of a light guide in accordance with the distance in the light direction depending upon such simulation. Such proposals have been made in a large number of patents and utility model registrations. Such plane light sources are disclosed, for example, in U.S. Pat. Nos. 4,126,383, 4,043,636, 4,059,916, 4,373,282, 4,285,889, 4,252,416, 3,546,438, 4,642,736 and 4,648,690 and Japanese Patent Laid-Open No. 62-278505.

While almost all of plane light sources are designed to emit light as uniformly as possible in all directions, it may be sometimes desired to concentrate emitted light in a particular direction depending upon application of a plane light source.

For example, in the case of application to a liquid crystal color TV set for personal use having a comparatively small viewing angle, it is required to emit the light only in a particular direction and make the amount of emitted light as uniform as possible over an entire emitting surface. FIG. 1 shows general construction of a liquid crystal color TV set. Referring to FIG. 1, reference numeral 1 denotes a liquid crystal display, 2 a body of the liquid crystal color TV set, 3 a normal line to the liquid crystal display 1, and 4 an eye of an observer. With the arrangement of the type mentioned, the liquid crystal display 1 is tilted upwardly at an angle of about 45 degrees with respect to the body 2 and is normally observed by an observer in a direction at an angle of about 15 degrees with respect to the normal line 3. Accordingly, a backlighting means which presents a higher luminance within a particular angular range indicated by X than at any other angular position would be advantageous in that the amount of emitted light can be concentrated to the particular

angular range. In particular, the luminance of such a plane light source will exhibit a maximum value in a desired direction, which may be several times greater than a luminance value of an alternative plane light source of the type which emits light uniformly in all directions. Accordingly, if the backlighting means is used in a display device which has a narrow viewing angle in a particular direction, the display device can present a high luminance with a small power consumption.

However, a point source is not used as the light source for a backlighting means of the liquid crystal color TV set shown in FIG. 4 or the like except very rare special cases where the display has a small area. A light source actually used is generally such a volume light source as a fluorescent lamp which cannot be regarded as a point source and is very low in coincidence of approximation to a point source. Accordingly, while such plane light sources as have been proposed in the prior art have accurate and complicated configurations and require a high production cost, it is difficult for them to achieve such desired characteristics as described above.

Besides, light emitted by such a volume light source as a fluorescent lamp is diffused light and non-directive. In a strict sense, it is very difficult to assure a desired directivity using a diffused light emitting source.

Further, in order to obtain a plane light source of small size, it is preferable to make its greatest thickness substantially equal to the diameter of a light source lamp. However, a plane light source device of the type wherein a reflector having a parabolic section is disposed below a lamp as described hereinabove has a thickness substantially equal to twice to four times the diameter of the lamp. Accordingly, the light source device just mentioned cannot meet the requirement of small size.

SUMMARY OF THE INVENTION

It is an object of the present invention to provide a plane light source unit which has a reduced thickness substantially equal to the diameter of a lamp so that it is suitable for backlighting for a display device such as a liquid crystal color TV set which is small in size with a small viewing angle.

It is another object of the present invention to provide a plane light source unit which can readily produce light concentrated in a direction to be observed by a user without increasing power consumption.

In order to attain the objects, according to the present invention, there is provided a plane light source unit which comprises a first element having a light incident face at least at one side end thereof and a first light emitting surface extending perpendicularly to the light incident face, the first element further having a reflecting layer provided on a surface thereof opposite to the first light emitting surface, and a second element having a light incident surface which receives the light emitted by the first element and a second light emitting surface through which light is emitted in a predetermined direction, the first light emitting surface and/or the opposite surface of the first element having a directive function to cause incident light through the light incident face to emit through the first light emitting surface in a direction oblique to the direction of the light, the second element having a large number of prism units formed on the light incident surface thereof.

The above and other objects, features and advantages of the present invention will become apparent from the following description and the appended claims, taken in conjunction with the accompanying drawings.

BRIEF DESCRIPTION OF THE DRAWINGS

FIG. 1 is a diagrammatic representation illustrating relative angles of a liquid crystal color TV set in an observed condition;

FIGS. 2(a) and 2(b) are schematic sectional view of a conventional plane light source device;

FIGS. 3(a) and 3(b) are a schematic perspective view and a schematic sectional view, respectively, showing a first element of a plane light source unit of the present invention together with lamp units;

FIGS. 4(a) and 4(b) are diagrams showing angular distributions of light emitted by a first element of an example 1-1 of the present invention;

FIG. 5(a) is a schematic front elevational view illustrating a method of measuring angular distributions of light emitted by a plane light source unit of the present invention, and FIG. 5(b) is a diagrammatic representation as viewed in a direction indicated by arrow marks A-A' of FIG. 5(a);

FIGS. 6(a) and 6(b) are diagrammatic representations illustrating paths of rays of light passing through a prism;

FIGS. 7(a) and 7(b) are a schematic perspective view and a schematic sectional view, respectively, showing a first element of a plane light source unit of the present invention together with lamp units;

FIGS. 8(a) to 8(f) are diagrams showing angular distributions of light from different first elements of the present invention;

FIGS. 9(a) and 9(b) are diagrammatic representations illustrating a method of measuring an angular distribution of light;

FIGS. 10 and 11 are schematic sectional views showing different plane light source units according to the present invention together with lamp;

FIG. 12 is a schematic sectional view but showing a further different plane light source unit according to the present invention;

FIGS. 13 and 14 are schematic sectional views but showing still further different plane light source unit according to the present invention;

FIG. 15 is a schematic view illustrating an example of lens unit of a first element;

FIGS. 16(a), 16(b) and 16(c) are diagrams showing angular distributions of light in the case of the example 1-1;

FIGS. 17(a), 17(b) and 17(c) are diagrams showing angular distributions of light in the case of another example 1-2;

FIGS. 18(a), 18(b) and 18(c) are diagrams showing angular distributions of light in the case of a further example 1-3;

FIGS. 19(a) and 19(b) are diagrams showing angular distributions of light in the case of a plane light source device of a comparative example;

FIG. 20 is a schematic sectional view showing a first element wherein lens units are triangular pole-shaped lenticular lenses;

FIG. 21 is a schematic sectional view showing another first element wherein lens units are concave cylindrical lenticular lenses;

FIG. 22 is a schematic sectional view showing a further first element wherein lens units are convex polygonal pole-shaped lenticular lenses;

FIGS. 23(a) and 23(b) are schematic sectional views showing still further first elements wherein lens units are different anisotropic lenticular lenses;

FIG. 24 is a diagrammatic sectional view illustrating a manner of measuring angular distributions of light from a first element of reverse type;

FIGS. 25(a) and 25(b) are diagrams showing angular distributions of light emitted by first elements in the case of the front and reverse types, respectively, wherein convex cylindrical lenticular lenses are employed;

FIGS. 26(a) and 26(b) are diagrams showing angular distributions of light emitted by first elements in the case of the front and reverse types, respectively, wherein triangular pole-shaped lenticular lenses are employed;

FIGS. 27(a) and 27(b) are diagrams showing angular distributions of light emitted by first elements in the case of the front and reverse types, respectively, wherein concave cylindrical lenticular lenses are employed;

FIGS. 28(a) and 28(b) are diagrams showing angular distributions of light emitted by first elements in the case of the front and reverse types, respectively, wherein polygonal pole-shaped lenticular lenses are employed;

FIGS. 29(a) and 29(b) are diagrams showing angular distributions of light emitted by first elements in the case of the front and reverse types, respectively, wherein different anisotropic lenticular lenses are employed;

FIGS. 30(a) and 30(b) are schematic sectional views showing different plane light source units of the front and reverse types which employ different concave cylindrical lenticular lenses, respectively, together with lamp;

FIGS. 31(a) and 31(b) are diagrams showing angular distributions of light emitted by plane light source units of the front and reverse types which employ convex cylindrical lenticular lenses, respectively;

FIGS. 32(a) and 32(b) are diagrams showing angular distributions of light emitted by plane light source units of the front and reverse types which employ triangular pole-shaped lenticular lenses, respectively;

FIGS. 33(a) and 33(b) are diagrams showing angular distributions of light emitted by plane light source units of the front and reverse types which employ concave cylindrical lenticular lenses, respectively;

FIGS. 34(a) and 34(b) are diagrams showing angular distributions of light emitted by plane light source units of the front and reverse types which employ polygonal pole-shaped lenticular lenses, respectively;

FIGS. 35(a) and 35(b) are diagrams showing angular distributions of light emitted by plane light source units of the front and reverse types which employ different anisotropic lenticular lenses;

FIGS. 36(a) to 36(f) are diagrams showing angular distributions of light emitted by different surface light source units of the present invention;

FIG. 37 is a diagram showing an angular distribution of light emitted by a surface light source device of comparative example; and

FIG. 38 is a diagram showing an angular distribution of light emitted by a plane light source unit of the $\theta_1=\theta_2$ type according to the present invention.

DETAILED DESCRIPTION OF THE INVENTION

Prior to description of the preferred embodiments of the present invention, a basic concept of a plane light source unit according to the present invention will be described.

The refractive index of a light guide with respect to air is generally $n=1.5$ to 1.6 or so, and in the case of such a configuration as shown in FIG. 2(a) wherein a light incident face 11 and a light emitting surface 12 of a light guide 10 extend in perpendicular directions to each other (i.e., edge

lighting configuration), the critical angle is about 45 degrees at which no light is emitted through the surface **12** in principle. It is to be noted that, in FIG. 2(a), reference numeral **14** represents a light source such as a fluorescent lamp, **15** a reflector for the fluorescent lamp **15**, and **13** a reflecting layer formed on the opposite side of the light guide **10** to the surface **12**.

Generally, either the surface **12** is formed into a light diffusing surface **12a** or the reflecting layer **13** is formed into a light diffusing reflecting layer **13a** as shown in FIG. 2(b). However, for the present object of directivity of emitted light, such means cannot be employed by itself because light emitted by the light guide **10** becomes diffused light.

Thus, construction of a device is considered wherein a number of linear convex lenses **16** of a same profile are formed, on an emitting surface such that they extend in the same direction while a reflecting layer **13** is formed on a surface opposite to the emitting surface, and linear light sources **14** such as fluorescent lamps are arranged in parallel to the linear convex lenses **16** at opposite ends of the first element. FIG. 3(a) is a schematic perspective view showing such a construction described just above, and FIG. 3(b) is a schematic sectional view taken along line A-A' of FIG. 3(a).

With such a geometrical positional relationship, the direction of emitted light falls within an angular range of 40 to 60 degrees with respect to the normal line to the imaginary plane of the light emitting surface having convex lenses **16**, and little light is emitted in the normal line direction (refer to FIG. 3(b)).

FIGS. 4(a) and 4(b) are diagrams illustrating angular distributions of light illustrated in FIG. 3(b) within a plane perpendicular to the direction of the convex lenses **16**. In particular, the diagrams show rates of luminance at various angles where the maximum luminance value is represented by 100 percent.

FIGS. 5(a) and 5(b) are diagrammatic representations illustrating a luminance measuring method, and FIG. 5(a) is a front elevational view of a plane light source unit together with lamps showing positions at which luminance is measured, and FIG. 5(b) is a diagrammatic representation as viewed in a direction indicated by arrows marks A-A' of FIG. 5(a). In FIG. 5(b), reference numeral represents a luminance meter.

FIG. 4(a) shows an angular distribution of light at the central point ① shown in FIG. 5(a) while FIG. 4(b) shows another angular distribution of light at another position ② spaced by a distance of 10 mm from the lamp. It can be seen also from the graphs that there is little light emitted in the normal line direction.

Thus, a plane light source unit of the present invention is constructed in its principle such that a number of lenses such as the lenses **16** are employed wherein light emitted through the lenses is concentrated in a particular direction so that the distribution of light falls within a narrow range and besides the amount of emitted light is large, and the light emitted toward the opposite sides of the normal line such as the lights **20**, **21** illustrated in FIG. 3(b) are refracted by a set of prisms serving as a second element so as to concentrate the light in a desired direction.

FIGS. 6(a) and 6(b) are diagrammatic representations showing one of such prisms of the second element as described just above. In FIGS. 6(a) and 6(b), reference numerals **20** and **21** represent emergent rays of light in the rightward and leftward directions, respectively, from the lens set **16** of the first element, θ_1 and θ_2 represent angles made by the normal lines and surfaces **31** and **30** of the

prism, respectively, and reference numeral **32** represents an emergent surface (a second light emitting surface) of the prism. Further, reference symbols ψ_1 to ψ_6 and ϕ_1 to ϕ_6 denotes angles of rays with respect to the individual surfaces of the prism or reference lines. The angles are taken as shown in FIGS. 6(a) and 6(b).

Referring to FIG. 6(b), if a ray of light enters the prism from the right-hand side like a ray **21**, it enters through the prism surface **30**, then is totally reflected by the prism surface **31**, and then emerges from the prism through the emergent surface **32** at a predetermined angle ψ_6 . To the contrary, referring to FIG. 6(a), if a ray of light enters the prism from the left-hand side like a ray **20**, it enters through the prism surface **31** and then is totally reflected by the prism surface **30** whereafter it emerges at the predetermined angle ϕ_6 from the prism through the emergent surface **32**. The predetermined angles ψ_6 and ϕ_6 can be adjusted by the configuration of the lens units of the first element and the emergent angle from the lens set, the angles θ_1 and θ_2 and the refraction index n of the lens set.

It is to be noted that the configuration of the lenses **16** of the first element is not particularly limited and may be any one if emergent rays of light are concentrated in a particular direction so that the distribution of emitted light falls within a narrow range and besides the amount of emitted light is large. Further, while the lights **20**, **21** may not always be emitted symmetrical to each other with respect to the normal line depending upon a configuration of the lens set **16** of the first element, in such a case the light can be emitted by the second element in a desired direction by varying the prism angles (θ_1 and θ_2 of FIG. 6) of each prism which is a component unit of a prism set of the second element.

It is to be noted that, as a special example of the present invention, where the first element emits the light at an angle of 60 degrees with respect to the normal line, the prism angles of the second element (θ_1 and θ_2 of FIG. 6) may be set to $\theta_1 = \theta_2 = 30$ degrees in order to direct the light from the first element to the direction of the normal line.

Meanwhile, also as will be hereinafter described with reference to several embodiments of the present invention, the amount of light emitted by the light guide in the normal line direction i is very small (refer to FIG. 7(b)). Thus, the inventors examined a directivity of emitted light with a finely roughened surface formed by roughening a surface of a light guide serving as a first element as uniformly as possible. Such an examination revealed that almost all of light is emitted in directions of 70 to 80 degrees with respect to the normal line to the emitting surface. The present invention has been completed by an idea to combine the above light guide and a second element in order to change the direction of the light to the normal line direction. Here, the term "finely roughened surface" signifies a so-called "mat finished surface" and contains what is so-called "orange peel".

Construction of the first element is shown in a perspective view of FIG. 7(a). Referring to FIG. 7(a), a light emitting surface of the first element is mat finished uniformly while a reflecting layer **13** is formed on the opposite surface of the first element, and linear light sources **14** such as fluorescent lamps are arranged at opposite ends of the first element. FIG. 7(b) is a sectional view taken along line A-A' of FIG. 7(a).

FIGS. 8(a) to 8(f) are diagrams illustrating angular distributions of light shown in FIG. 7(b). In particular, FIGS. 8(a) to 8(f) illustrate rates of luminance at various angles where the maximum luminance value is represented by 100 percent (samples for measurement and measuring methods will be described below).

FIGS. 9(a) and 9(b) are diagrammatic representations illustrating measuring methods, and FIG. 9(a) is a front elevational view showing a measuring point and FIG. 9(b) is a view in the direction indicated by arrow marks A-A' of FIG. 9(a). In FIG. 9(b), reference numeral 48 represents a luminance meter. The results of the measurements are shown in FIGS. 8(a) to 8(f) from which it can be seen that little light is emitted in a direction normal to the emitting surface but emitted light is concentrated in particular directions of 75 to 80 degrees (as also seen in FIG. 7(b)). Thus, the present invention is made on a principle that, making use of a light guide (first element) which has a mat finished emitting surface wherein emitted light is concentrated in a particular direction so that the distribution of light falls within a narrow range and the amount of emitted light is large, light 20 and 21 (refer to FIG. 7(b)) emitted toward the opposite sides of the normal line i are all refracted by a prism set serving as a second element to concentrate the light in a desired direction.

The prisms of the second element which makes another component for the function described above are similar to that shown in FIGS. 6(a) and 6(b).

It is to be noted that since the light emitted through the mat finished surface 60 of the first element is symmetrical with respect to the normal line, desired angles (ψ_6 and ϕ_6) can be obtained by varying the prism angles (θ_1 and θ_2 of FIG. 6) and the refraction index of the second element.

In the following, particular construction of several plane light source units according to the present invention will be described in detail with reference to the drawings.

FIG. 10 is a partial sectional view showing an embodiment of plane light source unit according to the present invention together with a lamp and is a view corresponding to FIG. 3(b).

Referring to FIG. 10, reference numeral 14 represents a light source such as a fluorescent lamp, 15 a reflector, 13 a reflecting layer formed on the opposite side to a first light emitting surface 12 of a first element 50, 16 a lens unit like the lens described hereinabove, 40 a prism unit, and a second light emitting surface 32. It is to be noted that the lens units 16 and the prism units 40 have convex linear configurations extending in a direction parallel to the light source (lamp).

The plane light source unit of the present embodiment thus comprises a first element 50 having a light incident face at least at one side end 11 of a light guide and a first light emitting surface which extends in a perpendicular direction to the incident face and on which the lens units 16 are formed, the first element 50 further having a reflecting layer 13 on the opposite surface of the light guide to the first light emitting surface, and a second element 51 having an incident surface on which the prism units 40 into which light from the first element 50 is introduced in predetermined directions are formed and a second light emitting surface 32. Light rays emerging from the individual lens units 16 are caused to emerge from the second element as represented by light rays 54 and 55, and the object of the invention can be attained by setting the lens units and the prism units such that the angles ψ_6 and ϕ_6 may be substantially equal to each other.

FIG. 11 is a diagrammatic representation showing an embodiment of plane light source unit wherein the lens units of the first element are set such that emergent light rays may emerge at angles of 60 degrees with respect to the normal line and the angles (θ_1 and θ_2 of FIG. 6) of the prism units of the second element 51 are set to $\theta_1\theta_2=30$ degrees. According to the embodiment, light emitted through the second light emitting surface 32 of the second element can

be concentrated in the normal line direction as represented by light rays 56 and 57.

The elements of the plane light source unit of the present invention may be preferably made of such a material as an acrylic resin or a polycarbonate resin which has a higher transmittance to visible light to attain the object of small size and light weight, but the material of the elements need not be limited to such a specific material.

Further, while a small size fluorescent lamp is used as the light source 14, a linear light source having continuous configuration (for example, a filament lamp may be employed instead.

Subsequently, an example of determination of prism angles where the primary emergent rays from the first element emerge symmetrically to each other with respect to the normal line will be described. Also where the primary emergent rays do not emerge symmetrically to each other with respect to the normal line, prism angles can be determined in a similar manner. It is to be noted that a character n represents a refraction index of a material which constitutes the element.

(1) Where a light ray enters from the left-hand side of a prism: (all symbols are based on FIG. 6(a))

$$\text{Where } 90^\circ - \psi < \theta_1: \quad (i)$$

$$\phi_1 = (\theta_1 + \psi) - 90,$$

$$\sin \phi_2 = \sin(\theta_1 + \psi - 90)/n,$$

$$\phi_5 = 90 - (2\theta_2 + \theta_1 - \phi_2),$$

$$\sin \phi_6 = n \times \sin \phi_5,$$

$$\phi_6 = \sin^{-1}(n \times \sin \phi_5)$$

$$\text{Where } 90^\circ - \psi > \theta_1: \quad (ii)$$

$$\phi_1 = 90 - (\theta_1 + \psi),$$

$$\sin \phi_2 = \sin(90 - \theta_1 - \psi)/n,$$

$$\phi_5 = 90 - (2\theta_2 + \theta_1 + \phi_2),$$

$$\sin \phi_6 = n \times \sin \phi_5$$

$$\text{Where } 90^\circ = \psi = \theta_1: \quad (iii)$$

$$\phi_1 = 0,$$

$$\phi_5 = 90 - (2\theta_2 + \theta_1),$$

$$\sin \phi_6 = n \times \sin \phi_5$$

(2) Where a light ray enters from the right-hand side of a prism: (all symbols are based on FIG. 6(b))

$$\text{Where } 90^\circ - \psi < \theta_2: \quad (iv)$$

$$\psi_1 = (\theta_2 + \psi) - 90,$$

$$\sin \psi_2 = \sin(\theta_2 + \psi - 90)/n,$$

$$\psi_5 = (2\theta_1 + \theta_2 - \psi_2) - 90,$$

$$\sin \psi_6 = n \times \sin \psi_5,$$

$$\text{Where } 90^\circ - \psi > \theta_2: \quad (v)$$

$$\psi_1 = 90 - (\theta_2 + \psi),$$

$$\sin \psi_2 = \sin(90 - \theta_2 - \psi)/n,$$

$$\psi_5 = (2\theta_1 + \theta_2 + \psi_2) - 90,$$

$$\sin\psi_6=n\times\sin\psi_5$$

$$\text{Where } 90^\circ - \psi = \theta_2; \quad (\text{vi})$$

$$\psi_1=0,$$

$$\psi_5=(2\theta_2+\theta_1)-90,$$

$$\sin\psi_6=n\times\sin\psi_5$$

Meanwhile, where the prisms are made of an acrylic resin material, the refraction index is $n=1.49$, and if it is assumed that the incident angles to the prism **40** are symmetrical and $\psi=55$ degrees with respect to the normal line, the emergent angles of emergent light rays from the prisms calculated in accordance with the expressions given above are concentrated on the one side with respect to the normal line (only examples of calculations are given wherein the difference in emergent angle between two light rays from the left and right side falls within 2 degrees).

θ_1	θ_2	Light from the Left-Hand Side (Φ_6)	Light from the Right-Hand Side (Φ_6)
32°	25°	8.9°	8.5°
33°	24°	11.5°	11.0°
34°	23°	14.0°	13.5°
35°	22°	16.5°	16.0°
36°	21°	19.1°	18.6°
37°	20°	21.7°	21.1°
38°	19°	24.3°	23.7°
39°	18°	26.9°	26.3°
40°	17°	29.6°	29.0°
41°	16°	32.3°	31.7°
42°	15°	35.1°	34.4°

Meanwhile, where the prisms are made of a polycarbonate resin material, the refraction index is $n=1.59$, and calculations depending upon similar conditions to the acrylic resin material lead to the following results. Here, $\psi=55$ degrees (only examples of calculations are given wherein the difference in emergent angle between two light rays from the left and right sides falls within 2 degrees).

θ_1	θ_2	Light from the Left-Hand Side (Φ_6)	Light from the Right-Hand Side (Φ_6)
32°	25°	9.7°	8.4°
33°	24°	12.4°	11.0°
34°	23°	15.0°	13.6°
35°	22°	17.7°	16.2°
36°	21°	20.3°	18.9°
37°	20°	23.1°	21.6°
38°	19°	25.8°	24.3°
39°	18°	28.6°	27.0°
40°	17°	31.4°	29.8°
41°	16°	34.3°	32.6°

While in the case of the embodiments of FIGS. **10** and **11** the lens units **16** are formed on the first light emitting surface of the light guide of the first element **50**, similar effects can be attained otherwise by forming lens units on a surface opposite to the first light emitting surface of the light guide of the first element or else by forming lens units on both of the light emitting surface and the opposite surface of the light guide if characteristic of the lens units are suitably selected.

FIG. **12** is a partial sectional view of a plane light source unit together with a lamp showing a further embodiment of the present invention.

Referring to FIG. **12**, reference numeral **14** represents a light source such as a fluorescent lamp, **15** a reflector, **13** a reflecting layer formed on the opposite side to a first light emitting surface **12** of a first element **50**, and **60** a mat finished first light emitting surface, which is substantially parallel to the reflecting layer **13**. Reference numeral **40** represents a prism unit of a second element, and **32** a second light emitting surface of the prism units **40**. The prism units **40** have a convex linear configuration extending in a direction parallel to the light source (lamp).

The plane light source unit of the present embodiment thus comprises a first element **50** having a light incident face at least at one side end **11** thereof and a mat finished first light emitting surface **12** which extends a perpendicular direction to the incident face, the first element **50** further having a reflecting layer **13** on the opposite side thereof to the first light emitting surface, and a second element **51** having an incident surface on which the prism units **40** into which light from the first element **50** is introduced and from which light rays emerge in predetermined directions are formed and a second light emitting surface **32**.

Light rays emerging from the first element are caused to emerge from the second element as represented by light rays **54** and **55**, and the object of the invention can be attained by setting the prism units such that the angles ψ_6 and ϕ_6 may be substantially equal to each other.

Subsequently, determination of prism angles where the primary emergent rays from the first element emerge symmetrically to each other with respect to the normal line is carried out in a similar manner to those of FIGS. **10** and **11**.

Thus, where the prisms are made of an acrylic resin material, the refraction index is $n=1.49$, and if it is assumed that the incident angles to the prism **40** are symmetrical and $\psi=65$ degrees with respect to the normal line, the emergent angles of emergent rays of light from the prisms calculated in accordance with the expressions given hereinabove are concentrated on the one side with respect to the normal line (only examples of calculations are given wherein the difference in emergent angle between two light rays from the left and right sides falls within 2 degrees).

θ_1	θ_2	Light from the Left-Hand Side (Φ_6)	Light from the Right-Hand Side (Φ_6)
32°	28°	8.5°	8.9°
36°	27°	11.0°	11.5°
37°	26°	13.5°	14.0°
38°	25°	16.0°	16.5°
39°	24°	18.6°	19.1°
40°	23°	21.1°	21.7°
41°	22°	23.7°	24.3°
42°	21°	26.3°	26.9°
43°	20°	29.0°	29.6°

FIGS. **13** and **14** are partial sectional views of plane light source unit together with a lamp, showing still further embodiments of the present invention.

Referring to FIG. **13**, a first element (light guide) **50-1** has such a configuration that the opposite side to a first light emitting surface **12** is formed as mat finished surface **60** and is disposed opposing to a reflecting layer **13**, and the first light emitting surface **12** of the first element **50-1** is formed as a smooth surface. FIG. **14** shows an example of construction wherein a first element **50-2** is used in which upper and lower surfaces are formed as mat finished surfaces **60**. It is to be noted that the description that an imaginary plane of mat finished first light emitting surface of a light guide

extends substantially in a parallel relationship to the reflecting layer 13 in the present invention means that the first element is a member in the form of a plate having a uniform thickness, and therefore the present invention has an advantage that it employs a transparent member which can be readily produced and assembled.

In the following, there are described various examples of construction of the present invention which are designed for backlighting for a 3-inch liquid crystal TV set and wherein the size of a panel is 61 mm long×56 mm wide.

While the examples of construction of the present invention described below were produced using a plate of a transparent acrylic resin material having a thickness of 5 mm for the first element and another plate of an acrylic resin material or a polycarbonate resin material having a thickness of 1 mm for the second element, it is apparent that the sizes and the materials are not limited to such specific ones.

EXAMPLES

Example 1-1

Using a metal mold for convex cylindrical lenticular lenses of smooth curved surfaces wherein the pitch is 0.38 mm and the height of the curved lens surfaces is 0.051 mm (refer to FIG. 15), the lens pattern of the metal mold was transferred to an acrylic resin plate having a thickness of 5 mm by thermal press work to make a first element. Meanwhile, a viewing angle and an inclination angle from the normal line to the picture plane of a portable liquid crystal TV set were measured and the emergent angle was determined so that it might be 15 degrees ($\psi_6=\phi_6$) with respect to the normal line to the picture plane while the prism angles were set to 35 degrees ($=\theta_1$) on the left-hand side and 22 degrees on the right-hand side ($=\theta_2$) (refer to FIGS. 6(a) and 6(b)). Then, a metal mold having a multi-prism pattern wherein the pitch was 0.38 mm and each of the thus set prisms had an apex angle ($=\theta_1+\theta_2$) of 57 degrees was produced, and using the metal mold, the multi-prism pattern was transferred to an acrylic resin plate having a thickness of 1 mm by thermal press work to make a second element. The first and second elements were cut in predetermined sizes.

Subsequently, the two opposite sides of the first element having the length of 61 mm were polished by a conventional polishing method while aluminum vacuum deposited polyester films with an adhesive layer were applied to the other opposite sides having the width of 56 mm, and another silver vacuum deposited polyester film was secured on the surface opposing to the transferred lens surface. A fluorescent lamp having a diameter of 8 mm and a length of 90 mm (FLE-8.90 ADIPS 3 by Elevam Corp.) was arranged on each of the two sides of 61 mm length of the first element, and a reflector made of aluminum foil was applied to each of the lamps. Each lamp was then lit by means of DC 5 V power supply with an inverter. Luminance was then measured at the points near the lamps and the central point on a center line of the first element (refer to FIG. 5(a)) at various angles with respect to the normal line by means of a luminance meter (luminance meter nt-1 by Minolta Camera Co., Ltd.), and angular distributions of light were determined (refer to FIG. 5(b)). The data obtained in this manner are illustrated in FIGS. 4(a) and 4(b) mentioned hereinabove. Maximum luminance values of those points are listed in Table 1 below.

Luminance Values observed at 55 degrees on the left and right side, respectively; at the central points	3,500 cd/m ² , 3,200 cd/m ²
Luminance values observed at 55 degrees on the left and right side, respectively; at point spaced by 10 mm from the lamp	4,000 cd/m ² , 3,800 cd/m ²

Further, the second element was arranged on the first element with the prism side of the former opposed to the lens side of the latter and was secured to the sides of the image by means of double-sided adhesive tapes having a width of about 5 mm. Then, similar measurements to those of the first element were carried out by a quite same method, and angular distributions of light were determined. The data thus obtained are illustrated in FIGS. 16(a), 16(b) and 16(c). Maximum luminance values and angles at which the maximum luminance value was observed are listed in Table 2 below.

TABLE 2

	Maximum Luminance Value	Angle
Central Point 1	3,100 cd/m ²	15°
10 mm Point from Lamp 2	3,500 cd/m ²	20°
10 mm Point from Lamp 3	3,700 cd/m ²	12°

The angles at which the maximum luminance value was observed fall within a narrow range from 12 to 20 degrees, and the half-width of angular distribution is about 40 degrees.

It is to be noted that the luminance value of lamp surface in the present example was 10,000 cd/m².

Example 1-2

The same first element as in the example 1-1 described above was used, and while the same metal mold for preparing the second element as in the example 1-1 was used, the second element was produced from a polycarbonate resin plate having a thickness of 1 mm. Then, angular distributions of light were measured in luminance value by the similar setting to that of the example 1-1. The resultant data are illustrated in FIGS. 17(a) and 17(b). Meanwhile, maximum luminance values and angles at which the maximum luminance value was observed are listed in Table 3 below.

TABLE 3

	Maximum Luminance Value	Angle
Central Point 1	3,200 cd/m ²	17°
10 mm Point from Lamp 2	3,700 cd/m ²	23°
10 mm Point from Lamp 3	3,400 cd/m ²	12°

Example 1-3

The same first element as in the example 1-1 was used. While it is a requirement that the emergent angle of emergent light rays from a first element be 60 degrees in order to emit light from a plane light source unit in the direction of the normal line, because more than 90 percent of the

maximum luminance value is exhibited at the angle of 60 degrees as can be seen from FIGS. 4(a) and 4(b), a metal mold for a multi-prism pattern wherein the prism angles were set to $\theta_1=\theta_2=30$ degrees and the prism pitch was set to 0.38 mm was produced, and the multi-prism pattern was thermally transferred to an acrylic resin plate of a thickness of 1 mm to make a second element.

Angular distributions of light were measured in luminance value with quite similar settings to those of the example 1-1 described hereinabove. The resultant data are illustrated in FIGS. 18(a), 18(b) and 18(c). Meanwhile, maximum luminance values and angles at which the maximum luminance value was observed are listed in Table 4 below.

TABLE 4

	Maximum Luminance Value	Angle
Central Point 1	2,900 cd/m ²	0°
10 mm Point from Lamp 2	3,100 cd/m ²	-5°
10 mm Point from Lamp 3	3,200 cd/m ²	7°

Comparative Example

Acrylic resin pellet (HIPET HBS [trademark] by Mitsubishi Rayon Co., Ltd.) was dry-blended with 1.5 percent by weight of rutile type titanium oxide and molded into a film of 50 microns thickness by a conventional extruder. The film was extended on an inorganic flat glass plate so as not to include air bubbles, and after being provisionally secured with methylmethacrylate, a cell was formed with glass plates by means of a spacer in a conventional manner. Methylmethacrylate syrup was poured in the clearance of the cell and polymerized to cure by a conventional manner to obtain an acrylic resin plate of 5 mm thickness.

The plate produced in this manner was cut into a size of 61 mm length×56 mm width, and the two sides of 61 mm length were polished in a conventional manner while aluminum vacuum deposited films with an adhesive layer were adhered to the other opposite sides of 56 mm width, whereafter a silver vacuum deposited polyester film (similar to that of the example 1-1) was arranged on the surface opposite to a white thin layer formed on the surface of the plate. Subsequently, evaluation was made by a quite same method as the measuring method of the first element of the example 1-1. The resultant data are illustrated in FIGS. 19(a) and 19(b). Meanwhile, luminance values at the specific points are listed in Table 5 below.

TABLE 5

	Maximum Luminance Value
Central Point 1	900 cd/m ²
10 mm Points from Lamp 2 & 3	1,200 cd/m ²

Summary

As can be seen from comparison between, for example, FIGS. 16(a), 16(b) and 16(c) and FIGS. 19(a) and 19(b), while the plane light source unit produced in comparative example has a characteristic that light is emitted uniformly in all directions, the plane light source unit produced in accordance with the present invention has advantages that light is emitted in particular direction and that the maximum luminance value at the central point is higher, about 3.5 times, than that obtained in comparative example.

Production of Various First Elements

As described hereinabove, the lenses 16 of the first element may have any configuration only if light is concentrated in particular directions so that the angular distribution of light falls within narrow ranges and the amount of emitted light is large, and the configuration of the lenses 16 is not particularly limited. As examples of such lens configurations, first elements having lenses of the following configurations were produced including the first element of the convex cylindrical lenticular lenses in the examples 1-1 to 1-3 described hereinabove.

(1) Lens which has a substantially similar configuration to that of the convex cylindrical lenticular lens shown in FIG. 15 and wherein

Pitch $P=0.38$ mm,

Height $H=0.05$ mm, and

Thickness of the first element $t=6$ mm.

(2) Triangular pole-shaped lenticular lens which has such a configuration as shown in FIG. 20 and wherein

Pitch $P=0.5$ mm,

Apex Angle $\theta=25$ degrees, and

Thickness of the first element $t=6$ mm.

(3) Concave cylindrical lenticular lens which has such a configuration as shown in FIG. 21 and wherein

Pitch $P=0.5$ mm,

Depth $D=0.06$ mm, and

Thickness of the first element $t=6$ mm.

(4) Polygonal pole-shaped lenticular lens which has such a configuration as shown in FIG. 22 and wherein

Pitch $P_1=0.10$ mm, $\theta_1=30$ degrees,

Pitch $P_2=0.15$ mm, $\theta_2=10$ degrees,

Pitch $P_3=0.15$ mm, $\theta_3=5$ degrees, Pitch $P=0.8$ mm,

Height $H=0.097$ mm, and

Thickness of the first element $t=6$ mm.

(5) Anisotropic lenticular lenses

① Anisotropic lenticular lens A which has such a configuration as shown in FIG. 23(b) and wherein

Pitch $P=0.41$ mm,

Height $H_2=0.102$ mm, and

Thickness of the first element $t=6$ mm.

The first elements were produced by transferring lens patterns to acrylic resin plates of 6 mm thickness by thermal press work using metal molds which have individually such predetermined configurations as described above.

Light Emitting Characteristics of Individual First Elements

Angular distributions of light of the individual first elements were determined by a similar method to that described hereinabove with reference to FIG. 5(b). In particular, the two sides of 61 mm length of each of the first elements were polished by a conventional method while aluminum vacuum deposited polyester films with an adhesive layer were applied to the other two sides of 56 mm width. Then, a silver vacuum deposited polyester film was secured on a surface of each first element opposing to the thus transferred lens surface, and then a fluorescent lamp having a diameter of 8 mm and a length of 90 mm (FLE-8.90 ADIP 3 by Elevam Corp.) was arranged on each of the two sides of 61 mm length of each first element with aluminum foil applied as a reflector, whereafter the lamp was lit by means of DC 5 V

power supply with an inverter. The construction in this case will be hereinafter referred to as front type. It is to be noted that, before angular distributions of light were examined, in order to make sure that such a construction can be adopted that a reflecting layer is positioned on the surface of lenses 16 such that light emitted from the lenses 16 may be reflected by the reflecting layer and then, after being transmitted through the first element 50, is emitted through the emitting surface on the opposite side to the lenses 16 (hereinafter referred to as reverse type), the lens surfaces of the first elements (1) to (5) specified as above were faced a mirror and angular distributions of such emitted light were measured. The manner of such measurement is illustrated in FIG. 24 by way of example of the concave cylindrical lenticular lens. In FIG. 24, reference numeral 13 represents a mirror.

RESULTS OF MEASUREMENTS OF ANGULAR DISTRIBUTIONS OF LIGHT

(1) FIG. 25(b) illustrates the angular distribution of light from the first element of the reverse type in which the convex cylindrical lenticular lenses of the configuration shown in FIG. 15 were employed. Meanwhile, the angular distribution of light from the first element of the front type is illustrated in FIG. 25(a). The maximum luminance value appeared in the direction of about 70 degrees from the normal line in the case of the first element of the reverse type but in the direction of about 70 to 80 degrees from the normal line in the case of the first element of the front type.

(2) FIG. 26(a) illustrates the angular distribution of light from the first element of the front type in which the triangular pole-shaped lenticular lenses were employed. Meanwhile, the angular distribution of light from the first element of the reverse surface type is illustrated in FIG. 26(b). The maximum luminance value appeared in the direction of 70 to 80 degrees from the normal line in the case of the first element of the front type but in the direction of 30 to 35 degrees from the normal line in the case of the first element of the reverse type.

(3) FIG. 27(a) illustrates the angular distribution of light from the first element of the front type in which the concave cylindrical lenticular lenses were employed. Meanwhile, the angular distribution of light from the first element of the reverse type is illustrated in FIG. 27(b). The maximum luminance value appeared in the direction of 75 to 80 degrees from the normal line in the case of the first elements of both of the front and reverse types.

(4) FIG. 28(a) illustrates the angular distribution of light from the first element of the front type in which the convex polygonal pole-shaped lenticular lenses were employed. Meanwhile, the angular distribution of light from the first element of the reverse type is illustrated in FIG. 28(b). The maximum luminance value appeared in the direction of 75 to 80 degrees from the normal line in the case of the first elements of both of the front and reverse types.

(5) The angular distribution of light from the first element in which the anisotropic lenticular lenses A were employed is illustrated in FIG. 29(a). Meanwhile, the angular distribution of light from the first element in which the anisotropic lenticular lenses B were employed is illustrated in FIG. 29(b). The maximum luminance value appeared in the direction of about 60 degrees from the normal line in the case of the first element in which the anisotropic lenticular lenses A were employed and in the direction of about 50 degrees from the normal line in the case of the first element in which the anisotropic lenticular lenses B were employed.

Production of Plane Light Source Units

The second element described hereinabove (substantially same as that used in the examples 1-1 to 1-3) was placed on a surface of each of the first elements produced in such a manner as described above in accordance with the configuration of the latter to produce plane light source units in each of which the lens surface 16 was located on the side of the emitting surface 12 of the first element (i.e., the front type).

On the other hand, a silver vacuum deposited polyester film was secured on the lens surface of each of the first elements, and the second element described hereinabove (substantially same as that used in the examples 1-1 to 1-3) was placed on the surface opposing to the lens surface of each of the first elements to produce plane light source units of a construction in which the lens surface 16 is located on the opposite side to the emitting surface 12 of the first element (i.e., the reverse type). As examples of such plane light source units, plane light source units of the front and reverse types wherein the concave lenticular lenses were employed are shown in FIGS. 30(a) and 30(b), respectively.

Measurements of Luminance and So on of Individual Plane Light Source Units

Maximum luminance values and angles at which the maximum luminance value was observed as well as half-width of angular distribution were examined for such individual plane light source units described above. The results are listed in Table 6 below. Here, the half-width shows an angular range within which the luminance value is equal to or greater than 50 percent of the maximum luminance value.

TABLE 6

Luminances of Plane Light Source Units in Which Various Light Guides Are Employed					
Lenticular Shape of First Element	Apex Angle of Second Element		Maximum Luminance	Half- Angle	Width
	Type	Prism			
Convex Cylindrical (FIG. 15)	Front	63°	3,200 Cd/m ²	16°	57°
	Reverse	63°	3,000 Cd/m ²	17°	77°
Triangular Pole (FIG. 20)	Front	66°	2,350 Cd/m ²	15°	75°
	Reverse	30°	2,300 Cd/m ²	16°	90°
Concave Cylindrical (FIG. 21)	Front	63°	3,100 Cd/m ²	14°	60°
	Reverse	63°	2,950 Cd/m ²	14°	60°
Convex Front Polygonal Pole (FIG. 22)	Front	63°	3,140 Cd/m ²	16°	85°
	Reverse	63°	3,080 Cd/m ²	14°	65°
Anisotrops (FIG. 23)	A	52°	3,450 Cd/m ²	16°	95°
	B	52°	3,800 Cd/m ²	16°	55°

As can be seen from Table 6 above, as for the plane light source units which include the first elements of the convex cylindrical lenticular, triangular pole-shaped lenticular, concave cylindrical lenticular and convex polygonal pole-shaped lenticular lens units, the luminance is a little lower in the case of the reverse type than in the case of the front type, but the difference is very little. Accordingly, they can be satisfactory for practical use whether the first elements are either of the front type or of the reverse type.

Angular Distributions of Light from the Individual Plane Light Source Units

Angular distributions of light from the individual plane light source units as the central point (point of ①) of FIG.

5(a)) were measured in accordance with the measurements of angular distributions of light from the first elements described hereinabove.

(1) FIG. 31(b) shows the angular distribution of light from the plane light source unit of the reverse type in which the first element having the convex cylindrical lenticular lenses of the configuration shown in FIG. 15 was employed. Meanwhile, the angular distribution of light from the plane light source unit of the front type is shown in FIG. 31(a). In the case of the plane light source unit of the front type, the maximum luminance value appeared in the direction of 15 to 20 degrees and the half-width was about 57 degrees. To the contrary, in the case of the plane light source unit of the reverse type, the maximum luminance value appeared in the direction of 15 to 20 degrees and the half-width was about 77 degrees.

(2) FIG. 32(a) shows the angular distribution of light from the plane light source unit of the front type in which the first element having the triangular pole-shaped lenticular lenses was employed. Meanwhile, the angular distribution of light from the plane light source unit of the reverse type is shown in FIG. 32(b). In the case of the plane light source unit of the front type, the maximum luminance value appeared in the direction of 13 to 15 degrees and the half-width was about 75 degrees. To the contrary, in the case of the plane light source unit of the reverse type, the maximum luminance value appeared in the direction of 15 to 17 degrees and the half-width was about 90 degrees.

(3) FIG. 3(a) shows the angular distribution of light from the plane light source unit of the front type in which the first element having the concave cylindrical lenticular lenses was employed. Meanwhile, the angular distribution of light from the plane light source unit of the reverse type is shown in FIG. 33(b). In the case of the plane light source unit of the front type, the maximum luminance value appeared in the direction of 13 to 15 degrees and the half-width was about 60 degrees. To the contrary, in the case of the plane light source unit of the reverse type, the maximum luminance value appeared in the direction of 13 to 15 degrees and the half-width was about 60 degrees.

(4) FIG. 34(a) shows the angular distribution of light from the plane light source unit of the front type in which the first element having the convex polygonal pole-shaped lenticular lenses was employed. Meanwhile, the angular distribution of light from the plane light source unit of the reverse type is shown in FIG. 34(b). In the case of the plane light source unit of the front type, the maximum luminance value appeared in the direction of 15 to 17 degrees and the half-width was about 85 degrees. To the contrary, in the case of the plane light source unit of the reverse type, the maximum luminance value appeared in the direction of 13 to 15 degrees and the half-width was about 65 degrees.

(5) FIG. 35(a) shows the angular distribution of light from the plane light source unit in which the first element having the anisotropic lenticular lenses A was employed. Meanwhile, FIG. 35(b) shows the angular distribution of light from the plane light source unit in which the first element having the anisotropic lenticular lenses B was employed. In the case of the plane light source unit employing the first element having the anisotropic lenticular lenses A, the maximum luminance value appeared in the direction of 15 to 17 degrees and the half-width was about 95 degrees. To the contrary, in the case of the plane light source unit employing the first element having the anisotropic lenticular lenses B, the maximum luminance value appeared in the direction of 13 to 17 degrees and the half-width was about 55 degrees.

Summary

Whether the first element emits the light symmetrically or asymmetrically with respect to the normal line as seen in FIGS. 25(a) to 29(b), the light is emitted by the second element in particular direction as seen in FIGS. 31(a) to 35(b) and Table 6 above and the maximum luminance value is sufficient for practical use, about 2 to 3.5 times that of the cases of non-directional light emission, provided that the second element has an appropriate configuration.

Example 3

Production and Evaluation of Example of Construction Shown in FIG. 12

Production of First Element

At first, a surface of a metal plate was treated by a conventional honing technique wherein glass beads of 60 mesh were blown to one face of a polished brass plate (about 3 mm×250 mm×250 mm) to produce a metal mold having a mat finished surface. Actually, five different kinds of metal molds were produced by varying the treating condition.

Subsequently, using the metal molds, the mat pattern was transferred to one surface of each of acrylic resin plates having a thickness of 5 mm by thermal press work to make a first element.

Production of Second Element

A viewing angle and an inclination angle from the normal line to the picture plane of a portable liquid crystal TV set (refer to FIG. 1) were measured, and the emergent angle was determined so that it might be 15 degrees ($\Psi_{6=\phi_6}$) with respect to the normal line to the picture plane while the prism angles were set to 38 degrees ($=\theta_1$) on the left-hand side and 25 degrees on the right-hand side ($=\theta_2$) (refer to FIGS. 6(a) and 6(b)). Then, a metal mold having a multi-prism pattern wherein the pitch was 0.38 mm and each of the thus set prisms had an apex angle ($=\theta_1+\theta_2$) of 63 degrees was produced, and using the metal mold, the multi-prism pattern was transferred to an acrylic resin plate having a thickness of 1 mm by thermal press work to make a second element.

Measurements of Haze Values of Light Guide for First Elements

(1) Specimens of a 50×50 mm size were cut off from the acrylic resin plate of 5 mm thickness having a mat finished surface produced in the preceding step (1) to obtain samples for measurement of haze values. As comparative samples, a transparent acrylic resin plate was cut similarly into pieces of a 50×50 mm size.

In order to measure haze values of the samples, they were put on a measuring instrument with the mat finished surfaces thereof directed toward the light incidence side in accordance with ASTM-D 1003-61, and the haze values were calculated in accordance with the following expression:

TABLE 7

Sample	Haze
Sample-1	70.8%
Sample-2	64.8
Sample-3	40.8
Sample-4	28.8

TABLE 7-continued

Sample	Haze
Sample-5	4.1
Comparative Sample	0.3

(2) Results of the measurements were such as listed in Table 7 below.

TABLE 7

Sample	Haze
Sample-1	70.8%
Sample-2	64.8
Sample-3	40.8
Sample-4	28.8
Sample-5	4.1
Comparative Sample	0.3

Production of and Evaluation of Angular Distributions of Light from First Elements

Subsequently, the acrylic resin plates were cut into pieces of 61 mm long×56 mm wide, and the two sides of 61 mm length of each of the pieces were polished by a conventional method while aluminum vacuum deposited polyester films with an adhesive layer were adhered to the other two sides of 56 mm width. Then, a silver vacuum deposited polyester film was secured on a surface opposing to the mat finished surface, and then a fluorescent lamp having a diameter of 7 mm and a length of 245 mm (CB7-245W cold cathode tube by Stanley Electric Co., Ltd.) was arranged on each of the two sides of 61 mm length with aluminum foil applied as a reflector, whereafter the lamp was lit by means of DC 12 V power supply with an inverter. Luminance was measured at the central point (point ① shown in FIG. 9(a)) of the thus obtained first elements at various angles with respect to the normal line by means of a luminance meter (luminance meter nt-1 by Minolta Camera Co., Ltd.) to obtain angular distributions of light (refer to FIG. 9(b)).

The data obtained in this manner are listed in Table 8 below and illustrated in FIGS. 8(a) to 8(d). In FIGS. 8(a) to 8(f), a luminance value is represented in a radial direction and a light emergent angle is represented in a circumferential direction. Data of the sample-5 and the comparative sample are omitted from Table 8 below because the amount of emitted light is too small in any direction to attain accurate measurement.

TABLE 8

Sample No.	Maximum Luminance Values in Leftward & Rightward Directions	
	Left	Right
Sample-1	2,790	2,770 cd/m ²
Sample-2	1,960	1,800
Sample-3	2,100	2,500
Sample-4	2,400	2,400

It is to be noted that the luminance values of lamp surface at the central portion were 5,000 and 5,200 cd/cm².

Production and Evaluation of Plane Light Source Units According to the Present Invention

The aforementioned second element was cut into pieces of 61 mm length and 56 mm width such that the multi-

prisms thereof might extend in parallel to the longitudinal edges of the pieces, and the second element pieces were arranged on the first elements such that the prism surfaces thereof might face the first light emitting surfaces of the first elements whereafter they were secured along the sides of the lamps (the sides of 61 mm length) with double-sided adhesive tapes of about 5 mm width to produce plane light source units according to the present invention.

Angular distributions of light from the plane light source units were measured by a quite similar method as the method of evaluation of angular distributions of light from the first elements described hereinabove. Results of the measurements are listed in Table 9 below and illustrated in FIGS. 36(a) to 36(d).

TABLE 9

Sample No.	Maximum Luminance Value	Angle	Half-Width	Haze of 1st Element
Sample-1	1,660 cd/m ²	15°	45° (-12°, 33°)	70.8%
Sample-2	1,450	15°	48° (-15°, 33°)	64.8
Sample-3	1,300	15°	49° (-12°, 37°)	40.8
Sample-4	1,340	15°	42° (-10°, 32°)	28.8

From the results, it can be seen that a sufficient luminance and a sufficient half-width for a plane light source unit can be obtained where the haze value is higher than about 30 percent, preferably higher than 50 percent.

Example 4

Production and Evaluation of Examples of Constructions Shown in FIGS. 13 and 14

Using the metal mold with which the sample-2 of the example 3 described above was produced, the mat pattern was transferred to both surfaces of an acrylic resin plate of 5 mm thickness to make a sample-6. This sample corresponds to the first element 50-2 shown in FIG. 14.

Measurement of Haze Value of Light Guide

A haze value of the sample-6 was measured by a quite same method as in the example 3 described above.

Haze	
Sample-6	81.5%

Production of and Evaluation of Angular Distribution of Light from First Element

Using the sample-2 and the sample-6 as light guide, first elements were produced in a quite same manner as in the example 3 described hereinabove, where the sample-2 was used after the silver vacuum deposited polyester film was arranged on the mat finished surface of the same light guide (refer to FIG. 13). The sample of such arrangement will be hereinafter referred to as sample-7. The sample-7 corresponds to the light guide 50-1 shown in FIG. 13. Results of measurements of angular distributions of light are listed in Table 10 below and illustrated in FIGS. 8(e) and 8(f).

TABLE 10

Sample No.	Maximum Luminance Values in Leftward & Rightward Directions	
	Left	Right
Sample-1	1,600 cd/m ²	1,700 cd/m ²
Sample-7	1,800	1,750

Luminance values of lamp surface at the central portion were 5,000 and 5,200 cd/m².

Production and Evaluation of Plane Light Source Units According to the Present Invention

Plane light source units were produced, and angular distributions of light from the plane light source units were measured in a quite similar manner as in the example 3 described above.

Resultant data are listed in Table 11 below and illustrated in FIGS. 36(e) and 36(f).

TABLE 11

Sample No.	Maximum Luminance Value	Angle	Half-Width	Haze of Light Guide
Sample-6	1,250 cd/m ²	15°	61° (-23°, 38°)	81.5%
Sample-7	1,270	15°	52° (-12°, 40°)	64.8

From the results, it can be seen that the angular distribution of light can become broad where both surfaces of a light guide were mat finished (sample-6) or a surface in contact with a reflecting layer was mat finished (sample-7) (the maximum luminance value is decreased as much).

Comparative Example

Acrylic resin pellet (HIPET HBS [trade mark] by Mitsubishi Rayon Co., Ltd.) was dry-blended with 1.5 percent by weight of rutile type titanium oxide and molded into a film of 50 microns thickness by a conventional extruder. The film was extended on an inorganic flat glass plate so as not to include air bubbles, and after being provisionally secured with methacrylate, a cell was formed with glass plates by means of a spacer in a conventional manner. Methacrylate syrup was poured in the clearance of the cell and polymerized to cure by a conventional manner to polymerize and solidify the film to obtain an acrylic resin plate of 5 mm thickness.

The plate produced in this manner was cut into a size of 61 mm length×56 mm width, and the two sides of 61 mm length were polished in a conventional manner while aluminum vacuum deposited films with an adhesive layer were applied to the other opposite sides of 56 mm width, whereafter a silver vacuum deposited polyester film was arranged on the surface opposite to a white thin layer formed on the surface of the plate. Subsequently, measurements similar to those of the first elements described hereinabove were made by a quite same method to determine angular distributions of light. The resultant data are listed in Table 12 below and illustrated in FIG. 37

TABLE 12

	Maximum Luminance Value	Angle/Half-Width
Evaluation	420 cd/m ²	0° (normal line direction)/ About 160° (-80°, 80°)

Summary

As can be seen from comparison between, for example, FIGS. 36(a) to 36(f) and FIG. 37, while the plane light source unit produced in comparative example has a characteristic that light is emitted uniformly in all directions, the plane light source unit of the present invention is advantageous in that light is emitted in particular direction and that the maximum luminance value at the central point is higher, about 3.5 to 4 times, than that obtained in comparative example.

Example 5

As an example wherein the light is emitted to the direction of the normal line to a picture plane, a second element was produced by thermal transfer to an acrylic resin plate of 1 mm thickness by thermal press work using a metal mold of a multi-prism pattern wherein the prism angles were set symmetrically to $\theta_1=\theta_2=31.5$ degrees on the left and right sides and the pitch was set to 0.5 mm.

Using the element of the sample-1 of Table 8 above as a first element, a plane light source unit was produced and an angular distribution of light was measured in a quite similar manner as in the example 3 described hereinabove. Results of measurement of maximum luminance value of the first element are listed in Table 13 below while results of measurement of maximum luminance value of the plane light source unit are listed in Table 14 below, and an angular distribution of light from the plane light source unit is illustrated in FIG. 38.

TABLE 13

Sample No.	Maximum Luminance Values in Leftward and Rightward Directions ($\pm 80^\circ$)		
	Left	Right	Haze
Sample-1	2,790	2,770 cd/m ²	70.8%

TABLE 14

Maximum Luminance Value	Angle	Half-Width	Haze of Light Guide
1,780 cd/m ²	0°	40° (-18°, 22°)	70.8%

As can be seen from Table 14 above and FIG. 38, by setting the prism angles θ_1 and θ_2 in such a manner as described hereinabove, the plane light source unit was produced wherein light could be emitted in the normal line direction to the picture plane.

As apparent from the foregoing description, according to the present invention, the following effects are exhibited:

(1) A plane light source unit can be provided wherein light can be emitted readily at a desired direction without increasing the power consumption of a light source and which has a decreased thickness (substantially equal to a diameter of a

lamp) and is advantageous for back-lighting means for a display device which has a directivity of viewing angle such as a liquid crystal display device: and

(2) Directive light can be obtained readily using a fluorescent lamp which primarily is a source of diffused light, and a desired direction of emitted light can be determined readily similar to focusing of a convex lens.

Having now fully described the invention, it will be apparent to one of ordinary skill in the art that many changes and modifications can be made thereto without departing from the spirit and scope of the invention as set forth herein.

We claim:

[1. A plane light source unit, comprising a first element having a light incident face at least at one side end thereof and a first light emitting surface extending perpendicularly to said light incident face, such first element further having a reflecting layer provided on a surface thereof opposite to said first light emitting surface, and a second element having a light incident surface which receives the light emitted by said first element and a second light emitting surface through which light is emitted in a predetermined direction, at least one of said first light emitting surface and the opposite surface of said first element comprising means having a directive function to cause incident light through said light incident face to emit through said first light emitting surface in two preferential directions oblique to, and on opposite sides of, a normal line thereof, said second element having a large number of prism units formed on said light incident surface thereof, each prism unit having at least one surface positioned for effecting total reflection of the light received by said second element,

wherein the direction of substantially all of the light emitting from said second element makes an angle ranging from 0 degrees to 20 degrees with respect to a normal line of said first light emitting surface of said first element.]

[2. A plane light source unit according to claim 1, wherein either said first light emitting surface or the opposite surface of said first element has a large number of lens units formed thereon which contribute to the directive function.]

[3. A plane light source unit according to claim 2, wherein said large number of lens units are convex cylindrical lenticular lenses.]

[4. A plane light source unit according to claim 2, wherein said large number of lens units are concave cylindrical lenticular lenses.]

[5. A plane light source unit according to claim 2, wherein said large number of lens units are triangular pole-shaped lenticular lenses.]

[6. A plane light source unit according to claim 2, wherein said large number of lens units are polygonal pole-shaped lenticular lenses.]

[7. A plane light source unit according to claim 2, wherein said large number of lens units are anisotropic lenticular lenses.]

[8. A plane light source unit according to claim 1, wherein said first light emitting surface and/or the opposite surface of said first element has a mat finished surface which extends substantially in parallel to a plane of said reflecting layer and contribute to the directive function.]

[9. A plane light source unit according to claim 8, wherein a haze of said first element on which said mat finished surface is formed is equal to or greater than 30 percent.]

[10. A plane light source unit according to claim 1, wherein said first element has a pair of light incident surfaces at two opposing side ends thereof.]

[11. A plane light source unit according to claim 1, wherein said first element is made of an acrylic resin material.]

[12. A plane light source unit according to claim 1, wherein said first element is made of a polycarbonate resin material.]

[13. A plane light source unit according to claim 1, wherein said second element is made of an acrylic resin material.]

[14. A plane light source unit according to claim 1, wherein said second element is made of a polycarbonate resin material.]

[15. A plane light source unit according to claim 1, wherein the direction of light emitting from said first element makes an angle equal to or greater than 45 degrees and smaller than 90 degrees with respect to a normal line of said first light emitting surface of said first element.]

16. *A plane light source unit comprising:*

a first element having a light incident face at least at one side end thereof, a first light emitting surface extending perpendicularly to said light incident face, and an opposite surface opposite to said first light emitting surface,

at least one of the first light emitting surface and the opposite surface comprising means having a directive function to cause incident light through the light incident face to emit through the first light emitting surface in a direction oblique to a line normal to the first light emitting surface;

a reflecting layer provided adjacent the opposite surface of said first element,

a second element having a large number of prism units, each prism unit having at least one surface for effecting total reflection of the light received by the second element, said second element including a light incident surface and a second light emitting surface through which light is emitted in a predetermined direction, wherein the direction of substantially all light emitting from said second element makes an angle ranging from 0 degrees to 50 degrees with respect to the line normal to the first light emitting surface of said first element.

17. *A plane light source unit according to claim 16, wherein said means having a directive function is distributed over the first light emitting surface.*

18. *A plane light source unit according to claim 16, wherein one of the light incident surface and the second light emitting surface includes said large number of prism units and the other of the light incident surface and the second light emitting surface is flat.*

19. *A plane light source unit according to claim 16, wherein at least one of the light incident surface and the second light emitting surface includes said large number of prism units.*

20. *A plane light source unit according to claim 16, wherein the direction of substantially all light emitting from said second element makes an angle ranging from 0 degrees to 40 degrees with respect to the line normal to the first light emitting surface of said first element.*

21. *A plane light source unit according to claim 20, wherein said means having a directive function is distributed over the first light emitting surface.*

22. *A plane light source unit according to claim 20, wherein one of the light incident surface and the second light emitting surface includes said large number of prism units and the other of the light incident surface and the second light emitting surface is flat.*

23. *A plane light source unit according to claim 20, wherein at least one of the light incident surface and the second light emitting surface includes said large number of prism units.*

24. *A plane light source unit according to claim 16, wherein the direction of substantially all light emitting from*

said second element makes an angle ranging from 0 degrees to 30 degrees with respect to the line normal to the first light emitting surface of said first element.

25. A plane light source unit according to claim 24, wherein said means having a directive function is distributed over the first light emitting surface.

26. A plane light source unit according to claim 24, wherein one of the light incident surface and the second light emitting surface includes said large number of prism units and the other of the light incident surface and the second light emitting surface is flat.

27. A plane light source according to claim 24, wherein at least one of the light incident surface and the second light emitting surface includes said large number of prism units.

28. A plane light source unit according to claim 16, wherein the direction of substantially all light emitting from said second element makes an angle ranging from 0 degrees to 20 degrees with respect to the line normal to the first light emitting surface of said first element.

29. A plane light source unit according to claim 28, wherein said means having a directive function is distributed over the first light emitting surface.

30. A plane light source unit according to claim 28, wherein one of the light incident surface and the second light emitting surface includes said large number of prism units and the other of the light incident surface and the second light emitting surface is flat.

31. A plane light source unit according to claim 28, wherein at least one of the light incident surface and the second light emitting surface includes said large number of prism units.

32. A plane light source unit according to claim 16, wherein said prism units are triangular prism units.

33. A plane light source unit according to claim 32, wherein said triangular prism units are isosceles triangular prism units.

34. A plane light source unit comprising:

a first element having a light incident face at least at one side end thereof, a first light emitting surface extending perpendicularly to said light incident face, and an opposite surface opposite to said first light emitting surface,

at least one of the first light emitting surface and the opposite surface comprising means having a directive function to cause incident light through the light incident face to emit through the first light emitting surface in a direction oblique to a line normal to the first light emitting surface;

a reflecting layer provided adjacent the opposite surface of said first element,

a second element having a large number of prism units, each prism unit having at least one surface for effecting total reflection of the light received by the second element, said second element including a light incident surface and a second light emitting surface through which light is emitted in a predetermined direction, wherein an angle at which the maximum luminance value is observed is from 0 degrees to 20 degrees with respect to the line normal to the first light emitting surface of said first element.

35. A plane light source unit according to claim 34, wherein said means having a directive function is distributed over the first light emitting surface.

36. A plane light source unit according to claim 34, wherein one of the light incident surface and the second light emitting surface includes said large number of prism units and the other of the light incident surface and the second light emitting surface is flat.

37. A plane light source unit according to claim 34, wherein at least one of the light incident surface and the second light emitting surface includes said large number of prism units.

38. A plane light source unit according to claim 34, wherein said prism units are triangular prism units.

39. A plane light source unit according to claim 38, wherein said triangular prism units are isosceles triangular prism units.

40. A plane light source unit comprising:

a first element having a light incident face at least at one side end thereof, a first light emitting surface extending perpendicularly to said light incident face, and an opposite surface opposite to said first light emitting surface,

at least one of the first light emitting surface and the opposite surface comprising means having a directive function to cause incident light through the light incident face to emit through the first light emitting surface in a direction oblique to a line normal to the first light emitting surface;

a reflecting layer provided adjacent the opposite surface of first element,

a second element having a large number of substantially triangular prism units, each prism unit having at least one surface for effecting total reflection of the light received by the second element, said second element including a light incident surface and a second light emitting surface through which light is emitted in a predetermined direction.

41. A plane light source unit according to claim 40, wherein said means having a directive function is distributed over the first light emitting surface.

42. A plane light source unit according to claim 40, wherein one of the light incident surface and the second light emitting surface includes said large number of prism units and the other of the light incident surface and the second light emitting surface is flat.

43. A plane light source unit according to claim 40, wherein at least one of the light incident surface and the second light emitting surface includes said large number of prism units.

44. A plane light source unit according to any one of claims 41–43, wherein said triangular prism units are isosceles prism units.

45. A plane light source unit according to any one of claims 16–31, 34–43, wherein said second element comprises an acrylic resin material.

46. A plane light source unit according to any one of claims 16–31, 34–43, wherein said second element comprises a polycarbonate resin material.

47. A plane light source according to any one of claims 16–31, 34–43, wherein the light incident surface of said second element includes said large number of prism units.

48. A plane light source unit according to any one of claims 16–31, 34–43, wherein the first light emitting surface of said first element has one of a roughened surface, a plurality of convex lenses, and a plurality of concave lenses.

49. A plane light source unit according to any one of claims 16–31, 34–43, wherein the opposite surface of said first element has one of a roughened surface, a plurality of convex lenses, and a plurality of concave lenses.

50. A plane light source unit according to any one of claims 16–31, 34–43, wherein the first light emitting surface of said first element is flat.

51. A plane light source unit according to any one of claims 16–31, 34–43, wherein the opposite surface of said first element is flat.

52. A plane light source unit according to any one of claims 16–31, 34–43, wherein said second element is disposed directly on the first light emitting surface of said first element.

53. A plane light source unit according to any one of claims 16–31, 34–43, wherein said reflecting layer is disposed directly on the opposite surface of said first element.

54. A plane light source unit according to any one of claims 16–31, 34–43, wherein said first element is a plate having a uniform thickness.

55. A backlighting arrangement for a liquid crystal display device comprising:

a light guide having a light incident face at least at one side end thereof and a light emitting surface extending substantially perpendicularly to said light incident face;

a lamp disposed adjacent to said light incident face of said light guide, said lamp generating light for illuminating the liquid crystal display device;

a reflecting layer disposed adjacent a surface of said light guide opposite the light emitting surface;

a prismatic element disposed over the light emitting surface of said light guide, said prismatic element having a first surface and a second surface opposite the first surface, at least one of the first surface and the second surface having a large number of prism units formed thereon, each prism unit having at least one surface for effecting total reflection of the light received by said prismatic element; and

a light directive pattern between said reflecting layer and said prismatic element, the light directive pattern causing light entering said light guide through the light incident face to emit from the light emitting surface of said light guide in a direction oblique to a line normal to the light emitting surface,

wherein the direction of substantially all light emitting from said prismatic element makes an angle ranging from 0 degrees to 50 degrees with respect to the line normal to the light emitting surface of said light guide.

56. A backlighting arrangement for a liquid crystal display device according to claim 55, wherein the direction of substantially all light emitting from said second element makes an angle ranging from 0 degrees to 40 degrees with respect to the line normal to the first light emitting surface of said first element.

57. A backlighting arrangement for a liquid crystal display device according to claim 55, wherein the direction of substantially all light emitting from said second element makes an angle ranging from 0 degrees to 30 degrees with respect to the line normal to the first light emitting surface of said first element.

58. A backlighting arrangement for a liquid crystal display device according to claim 55, wherein the direction of substantially all light emitting from said second element makes an angle ranging from 0 degrees to 20 degrees with respect to the line normal to the first light emitting surface to said first element.

59. A backlighting arrangement for a liquid crystal display device comprising:

a light guide having a light incident face at least at one side end thereof and a light emitting surface extending substantially perpendicularly to said light incident face;

a lamp disposed adjacent to said light incident face of said light guide, said lamp generating light for illuminating the liquid crystal display device;

a reflecting layer disposed adjacent a surface of said light guide opposite the light emitting surface;

a prismatic element disposed over the light emitting surface of said light guide, said prismatic element having a first surface and a second surface opposite the first surface, at least one of the first surface and the second surface having a large number of prism units formed thereon, each prism unit having at least one surface for effecting total reflection of the light received by said prismatic element; and

a light directive pattern between said reflecting layer and said prismatic element, the light directive pattern causing light entering said light guide through the light incident face to emit from the light emitting surface of said light guide in a direction oblique to a line normal to the light emitting surface,

wherein an angle at which the maximum luminance value is observed is from 0 degrees to 20 degrees with respect to the line normal to the light emitting surface of said light guide.

60. A backlighting arrangement for a liquid crystal display device according to any one of claims 55–59, wherein said light directive pattern is formed on the light emitting surface of said light guide.

61. A backlighting arrangement for a liquid crystal display device according to any one of claims 55–59, wherein said light guide and said light directive pattern are formed by a single structural element.

62. A backlighting arrangement for a liquid crystal display device according to any one of claims 55–59, wherein said second surface of said prismatic element faces said light emitting surface of said light guide.

63. A backlighting arrangement for a liquid crystal display device according to any one of claims 55–59, wherein said prismatic element is disposed directly on said light emitting surface of said light guide.

64. A backlighting arrangement for a liquid crystal display device according to any one of claims 55–59, wherein said reflecting layer is disposed directly on said surface opposite to said light emitting surface of said light guide.

65. A backlighting arrangement for a liquid crystal display device according to any one of claims 55–59, wherein said light guide is a plate having a uniform thickness.

66. A backlighting arrangement for a liquid crystal display device according to any one of claims 55–59, wherein said light directive pattern comprises one of a plurality of convex lenses, a plurality of concave lenses, and a roughened finish formed on the light emitting surface of said light guide.

67. A backlighting arrangement for a liquid crystal display device according to any one of claims 55–59, wherein said light directive pattern comprises one of a plurality of convex lenses, a plurality of concave lenses, and a roughened finish formed on the surface opposite the light emitting surface of said light guide.

68. A backlighting arrangement for a liquid crystal display device according to any one of claims 55–59, wherein said prism units are triangular prisms.

69. A backlighting arrangement for a liquid crystal display device according to claim 68, wherein said triangular prisms are isosceles.

70. A backlighting arrangement for a liquid crystal display device according to any one of claims 55–59, wherein said prismatic element comprises an acrylic resin material.

71. A backlighting arrangement for a liquid crystal display device according to any one of claims 55–59, wherein said prismatic element comprises a polycarbonate resin material.

72. A backlighting arrangement for a liquid crystal display device according to any one of claims 55–59, wherein said light emitting surface is flat.

73. A backlighting arrangement for a liquid crystal display device according to any one of claims 55–59, wherein said surface opposite to said light emitting surface is flat.