



US00RE38204E

(19) **United States**
(12) **Reissued Patent**
Kazarian

(10) **Patent Number:** **US RE38,204 E**
(45) **Date of Reissued Patent:** ***Jul. 29, 2003**

(54) **FLUID COUPLING FOR MATCHING DELIVERY AND SUPPLY LINES IRRESPECTIVE OF THE RELATIVE ROTATIONAL POSITIONS OF THE COUPLING MEMBERS**

FOREIGN PATENT DOCUMENTS

CA	670440	9/1963
CZ	77828	8/1949
DE	1218237	6/1966
EP	372373	6/1990
FR	2625545	7/1989
GB	771968	4/1957
NO	64829	5/1942
NO	67082	11/1943

(75) Inventor: **Randal N. Kazarian**, Santa Barbara, CA (US)

Primary Examiner—Eric K. Nicholson

(73) Assignee: **Container Technology, Inc.**, Santa Barbara, CA (US)

(74) *Attorney, Agent, or Firm*—Leo F. Costello

(*) Notice: This patent is subject to a terminal disclaimer.

(57) **ABSTRACT**

(21) Appl. No.: **09/693,627**

A quick-connect coupling for interconnecting only matching fluid delivery and supply lines while preventing the inadvertent connection of mismatched lines where there are matched and mismatched delivery and supply lines. The coupling includes first and second coupling members that are releasably slidably, axially interfitted with their passageways in fluid communication. In the disclosed embodiment of a coupling for use in a chemical extraction system, one coupling member is a male member connected to the supply lines in the typical fifty gallon drum and the other coupling member is a female coupling member connected to the delivery lines. Key coding elements on the coupling members are movable into matched interengagement when the supply and delivery lines are matched but are precluded from moving into matched interengagement when the lines are mismatched. If a match exists, the coding elements interfit without relative rotation of the coupling members and irrespective of the relative rotational positions of the coupling members prior to such interengagement. Latches in the coupling are allowed by the key coding to move into latching positions when the key coding elements match, but are precluded by the key coding from moving into latching positions when there is a mismatch. The coupling members are coupled by axially thrusting the members together whereupon the latches move out to allow interfitting and then return to latching positions. The coupling members are uncoupled by simultaneously pressing inwardly on the latches on the outside of the coupling and pulling the coupling members apart.

(22) Filed: **Oct. 20, 2000**

Related U.S. Patent Documents

Reissue of:

(64) Patent No.: **6,007,107**
Issued: **Dec. 28, 1999**
Appl. No.: **08/683,516**
Filed: **Jul. 12, 1996**

(51) **Int. Cl.**⁷ **F16L 35/00**

(52) **U.S. Cl.** **285/120.1; 285/328; 285/330; 285/331; 285/913; 285/914**

(58) **Field of Search** **285/328, 330, 285/914, 913, 921, 120.1, 331**

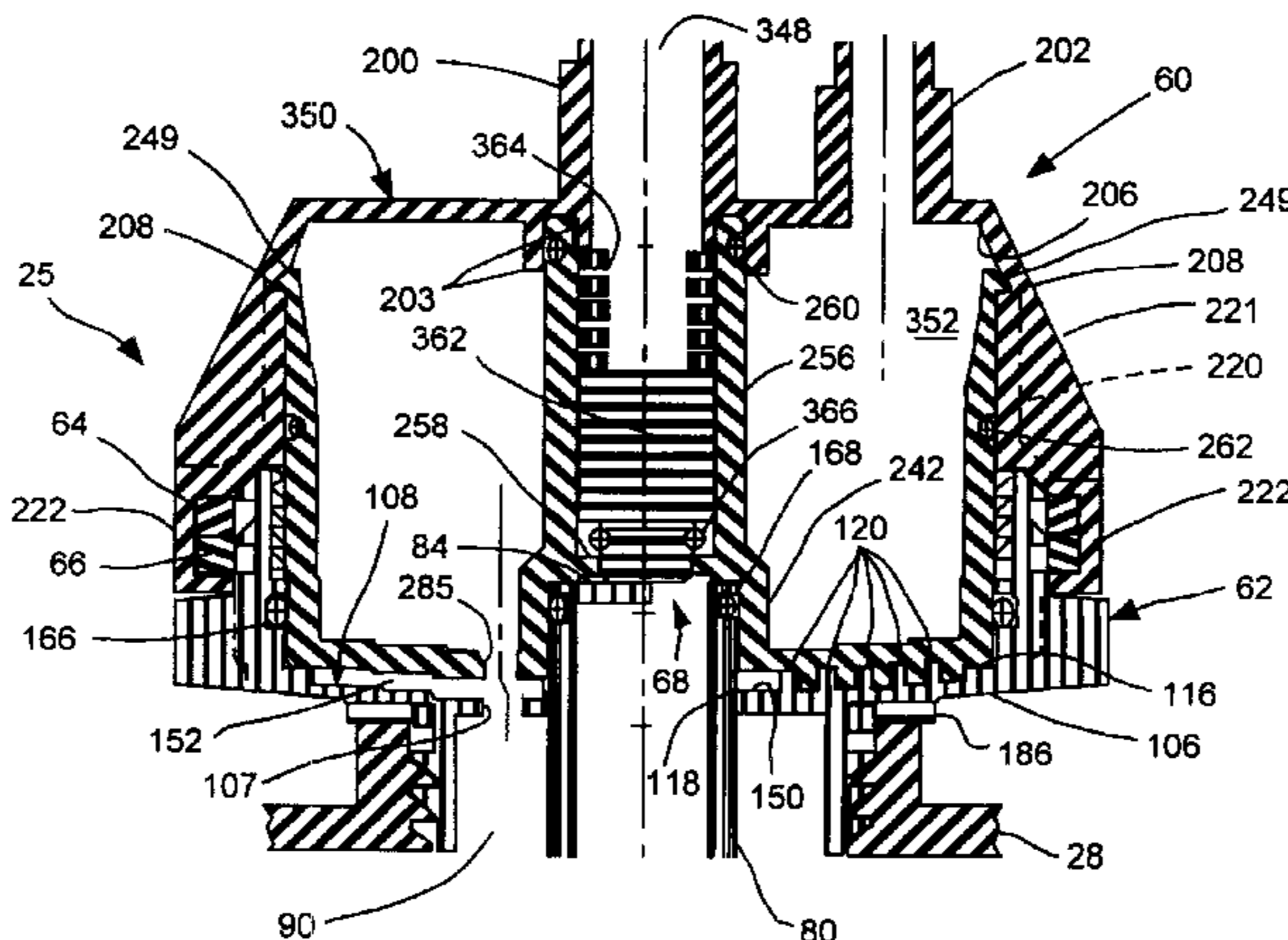
(56) **References Cited**

U.S. PATENT DOCUMENTS

655,672 A	8/1900	Engel
665,252 A	1/1901	Morawetz
729,145 A	5/1903	Eckenwiler
850,070 A	4/1907	Spikes
928,813 A	7/1909	Spikes
1,304,390 A	5/1919	Semenow et al.
1,371,882 A	3/1921	Ferguson et al.
2,006,833 A	7/1935	Jensen

(List continued on next page.)

36 Claims, 13 Drawing Sheets



US RE38,204 E

Page 2

U.S. PATENT DOCUMENTS

2,187,389 A	1/1940	Winkler	4,134,522 A	1/1979	Patzke et al.
2,470,256 A	5/1949	McIlroy	4,150,673 A	4/1979	Watt
2,790,571 A	4/1957	Flaith et al.	4,211,439 A	7/1980	Moldestad
3,005,475 A	10/1961	Beall	4,411,287 A	10/1983	Hyde
3,035,603 A	5/1962	Jamieson et al.	4,436,125 A	3/1984	Blenkush
3,065,885 A	11/1962	Chatten	4,529,105 A	7/1985	Lewins
3,170,667 A	2/1965	Szohatzky	4,619,640 A	10/1986	Potolsky et al.
3,301,578 A	1/1967	Platt et al.	4,665,960 A	5/1987	Brzezicki et al.
3,351,359 A	11/1967	Ferraris	4,699,298 A	10/1987	Grant et al.
3,361,152 A	1/1968	Akers	4,790,567 A	12/1988	Kawano et al.
3,670,929 A	6/1972	Berry	4,804,208 A	2/1989	Dye
3,861,569 A	1/1975	Johnston	4,907,019 A	3/1990	Stephens
4,080,737 A	3/1978	Fleer	5,052,725 A	10/1991	Meyer et al.
4,089,444 A	5/1978	Shea	5,108,015 A	4/1992	Rauworth et al.
			5,971,019 A	10/1999	Imai

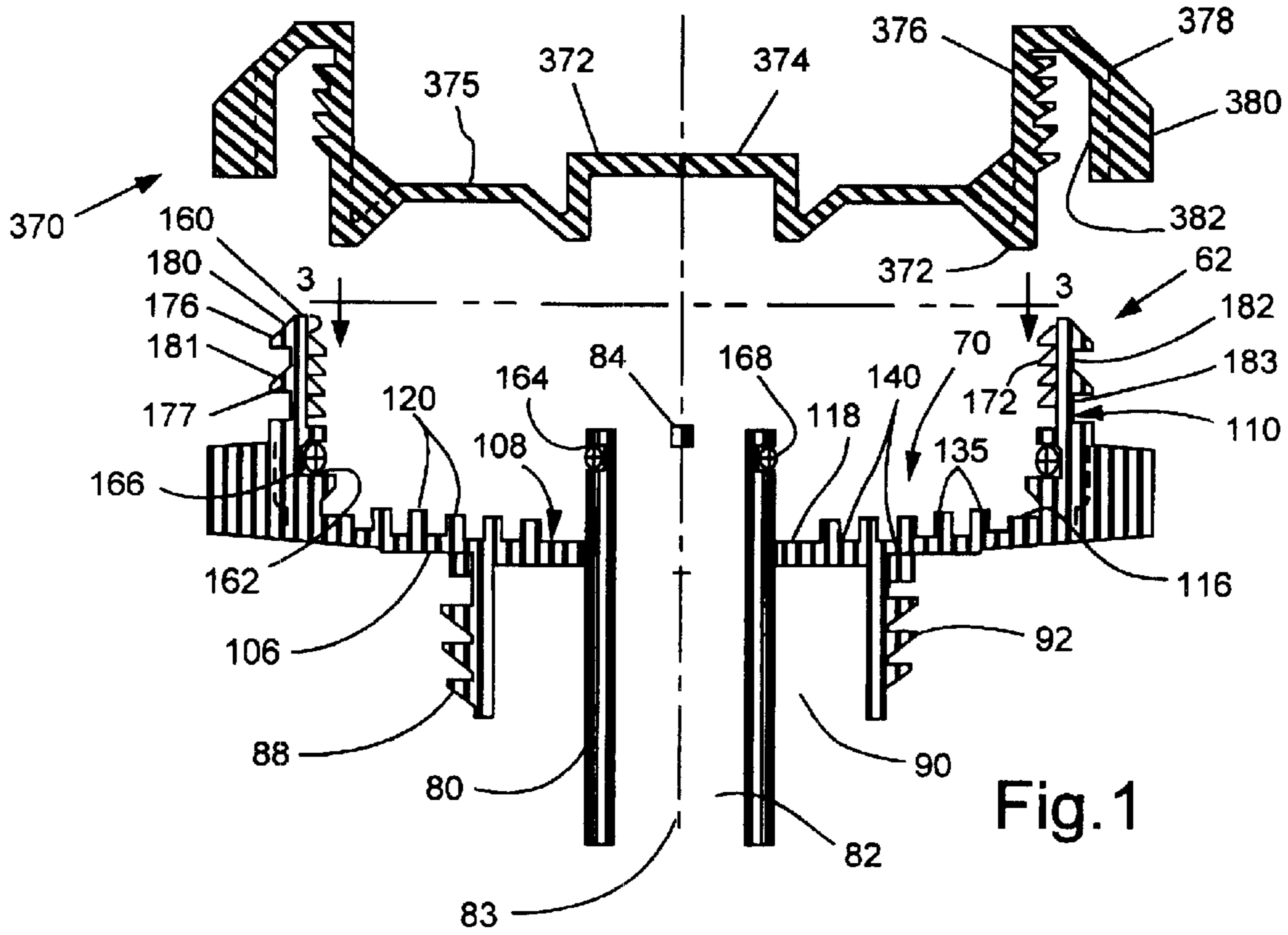


Fig. 1

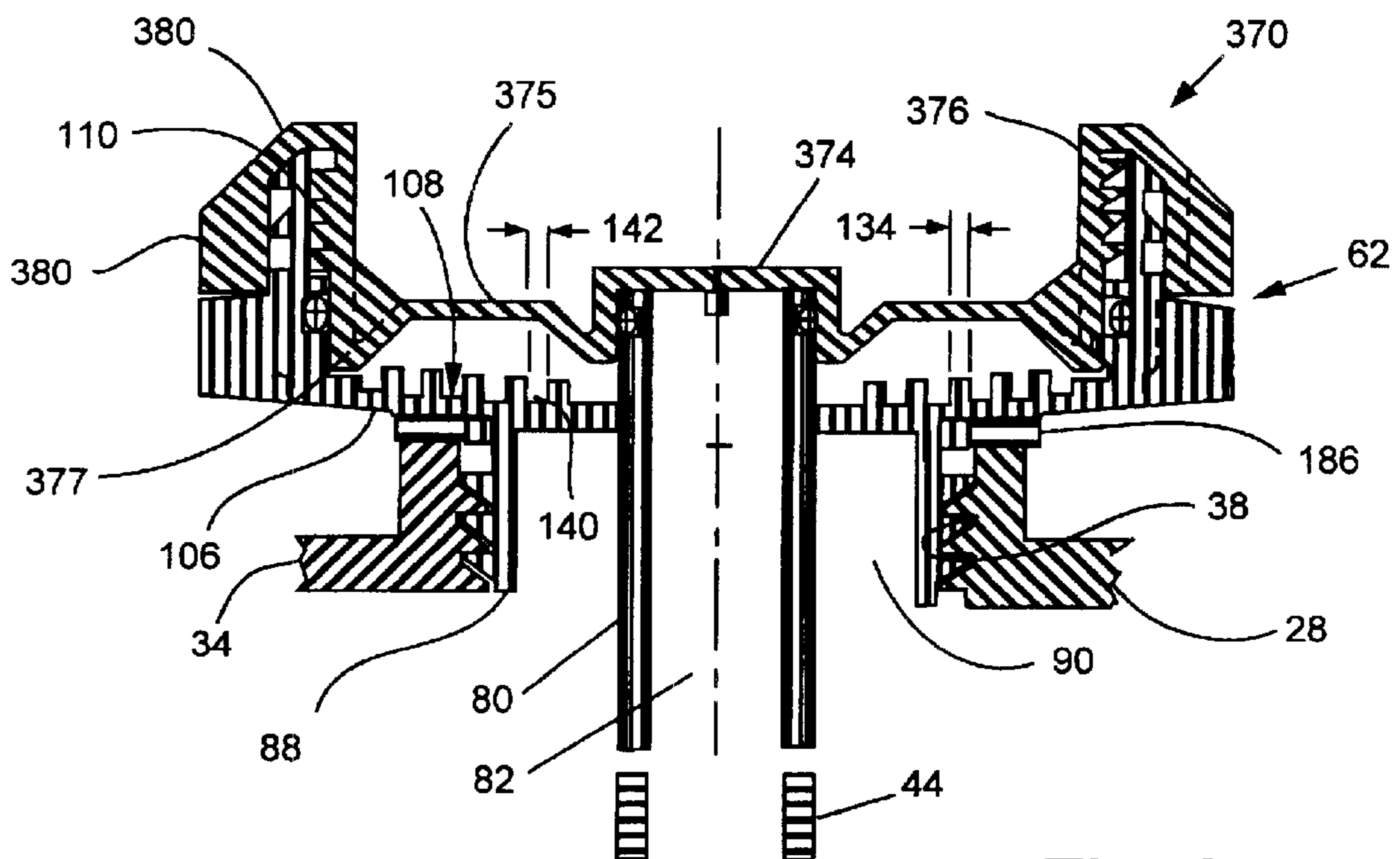


Fig. 2

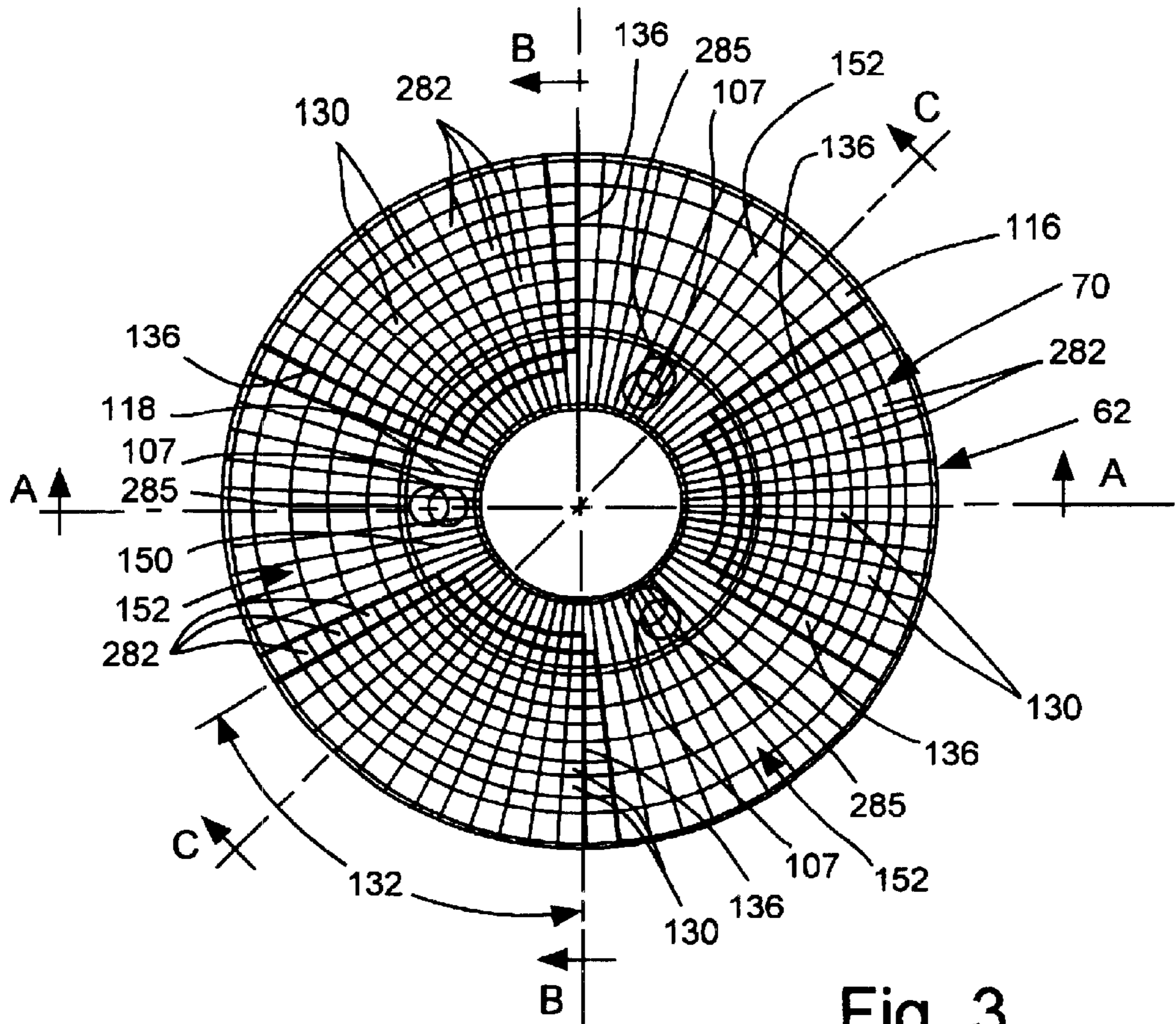


Fig. 3

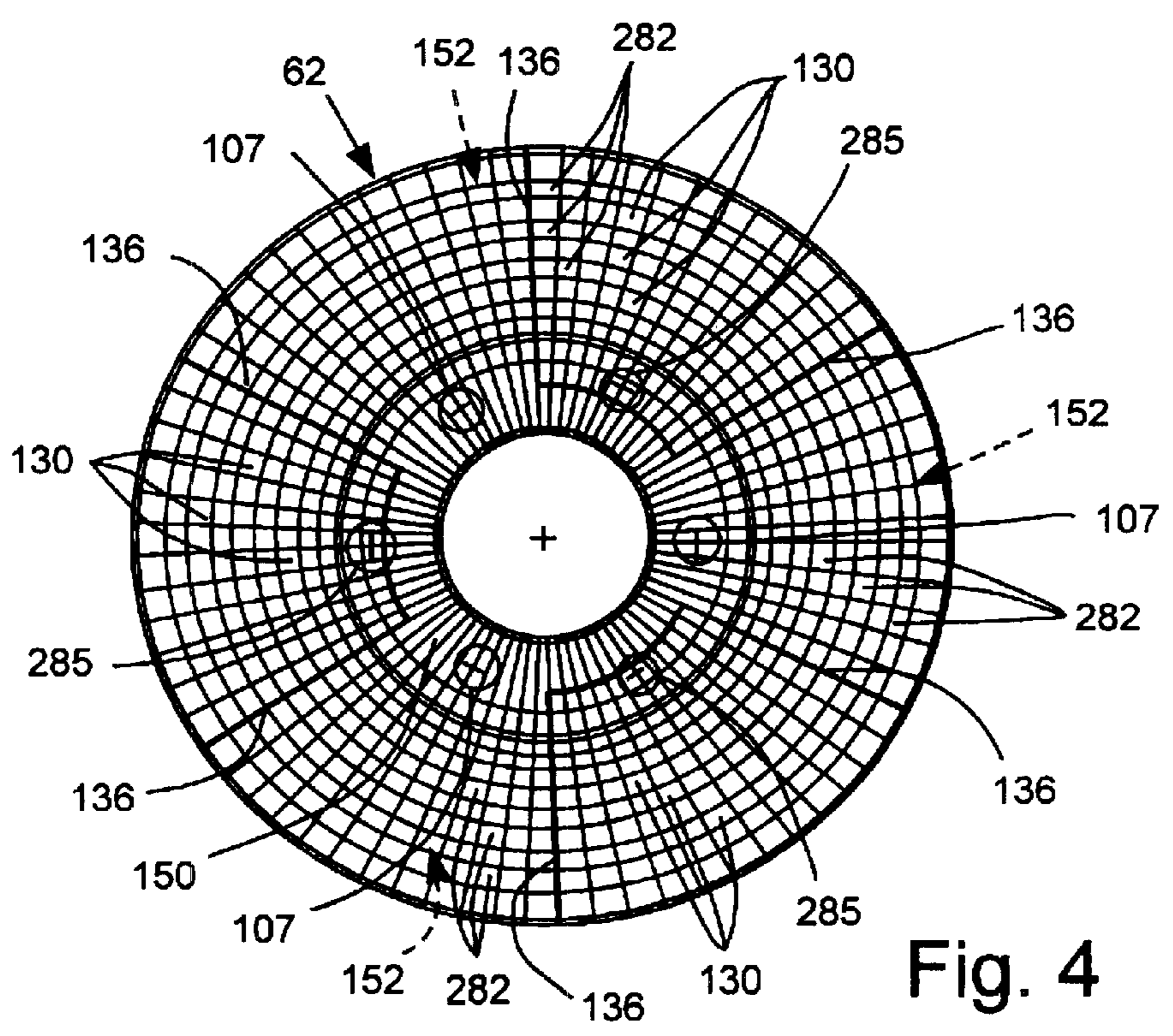


Fig. 4

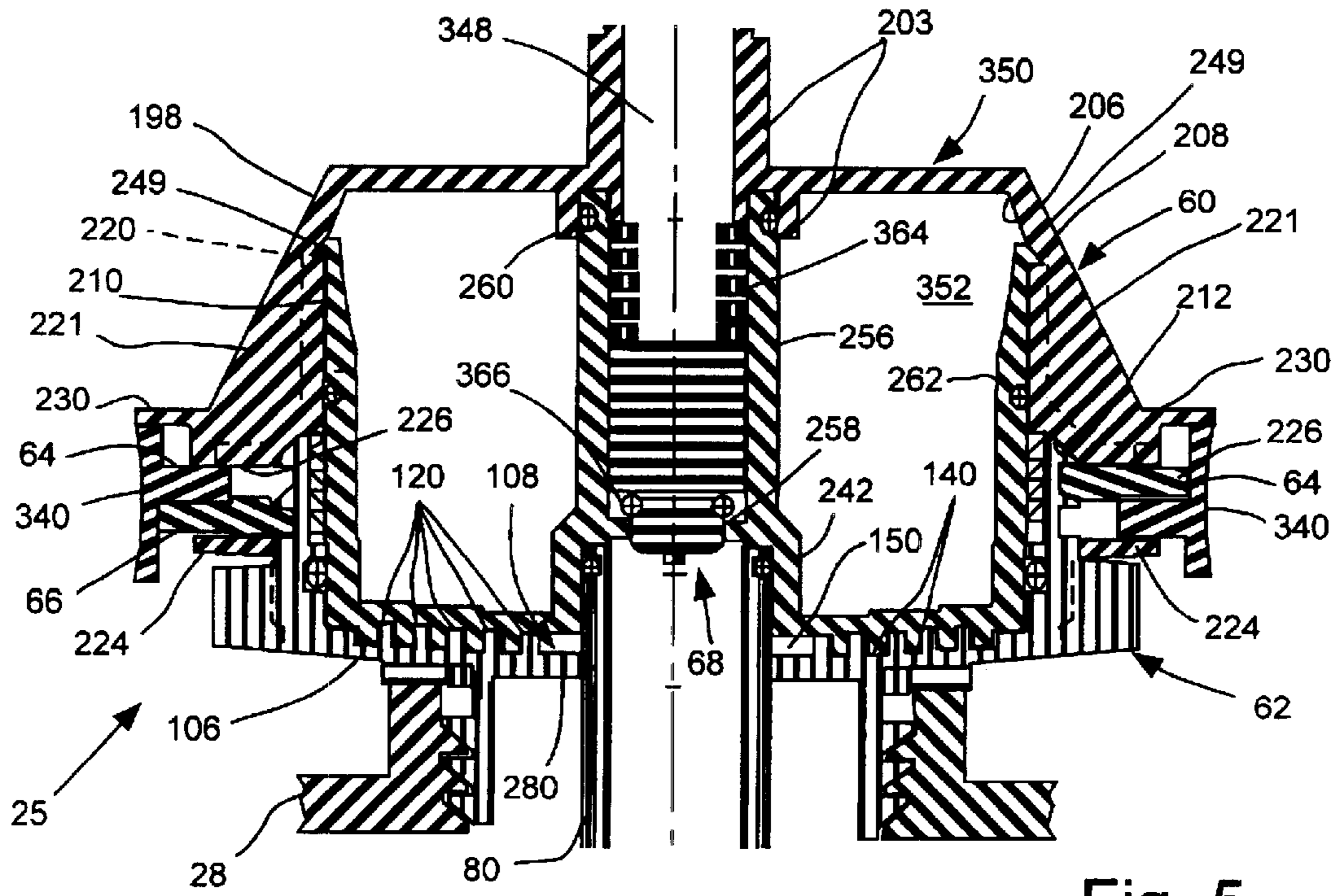


Fig. 5

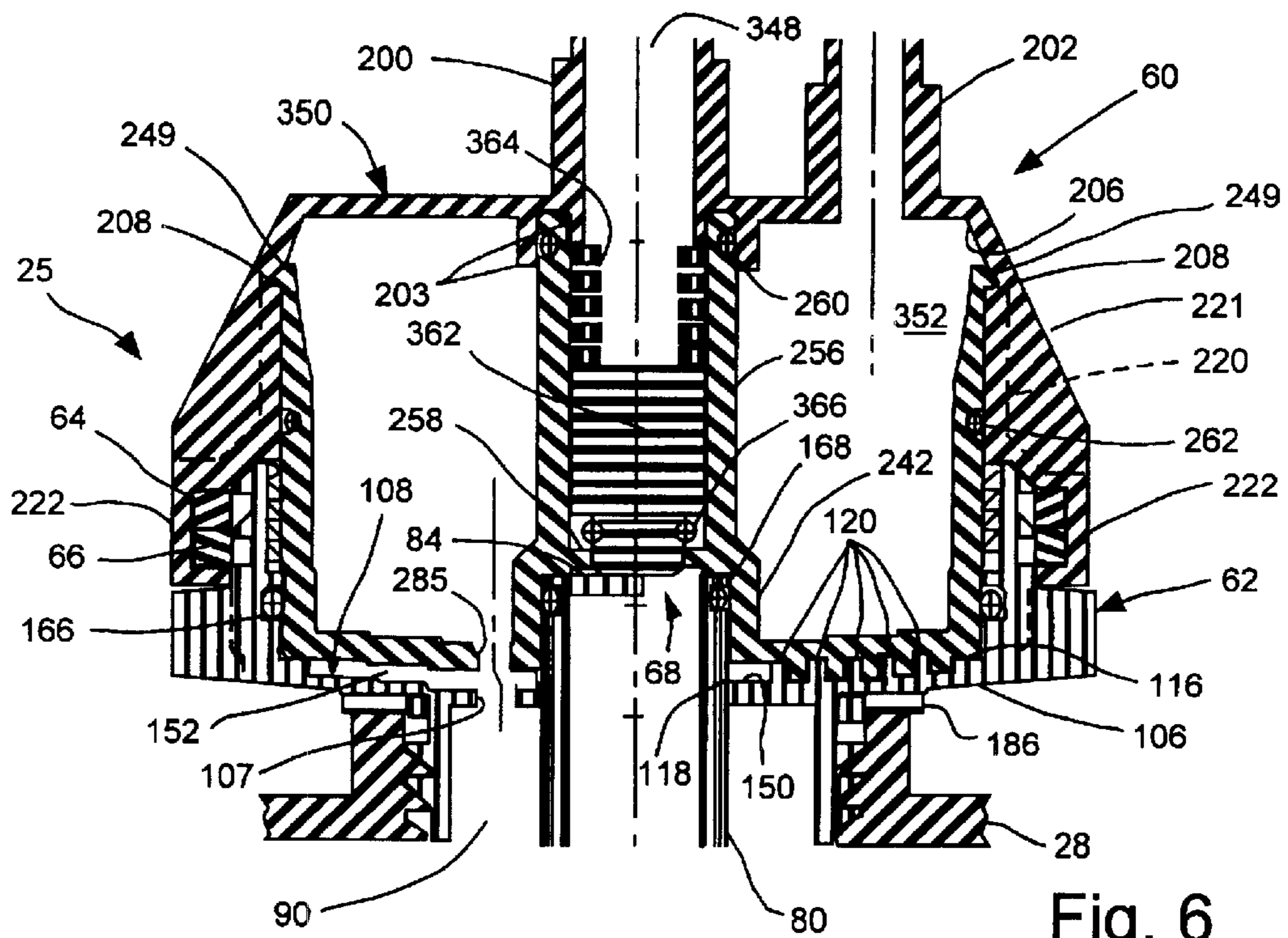
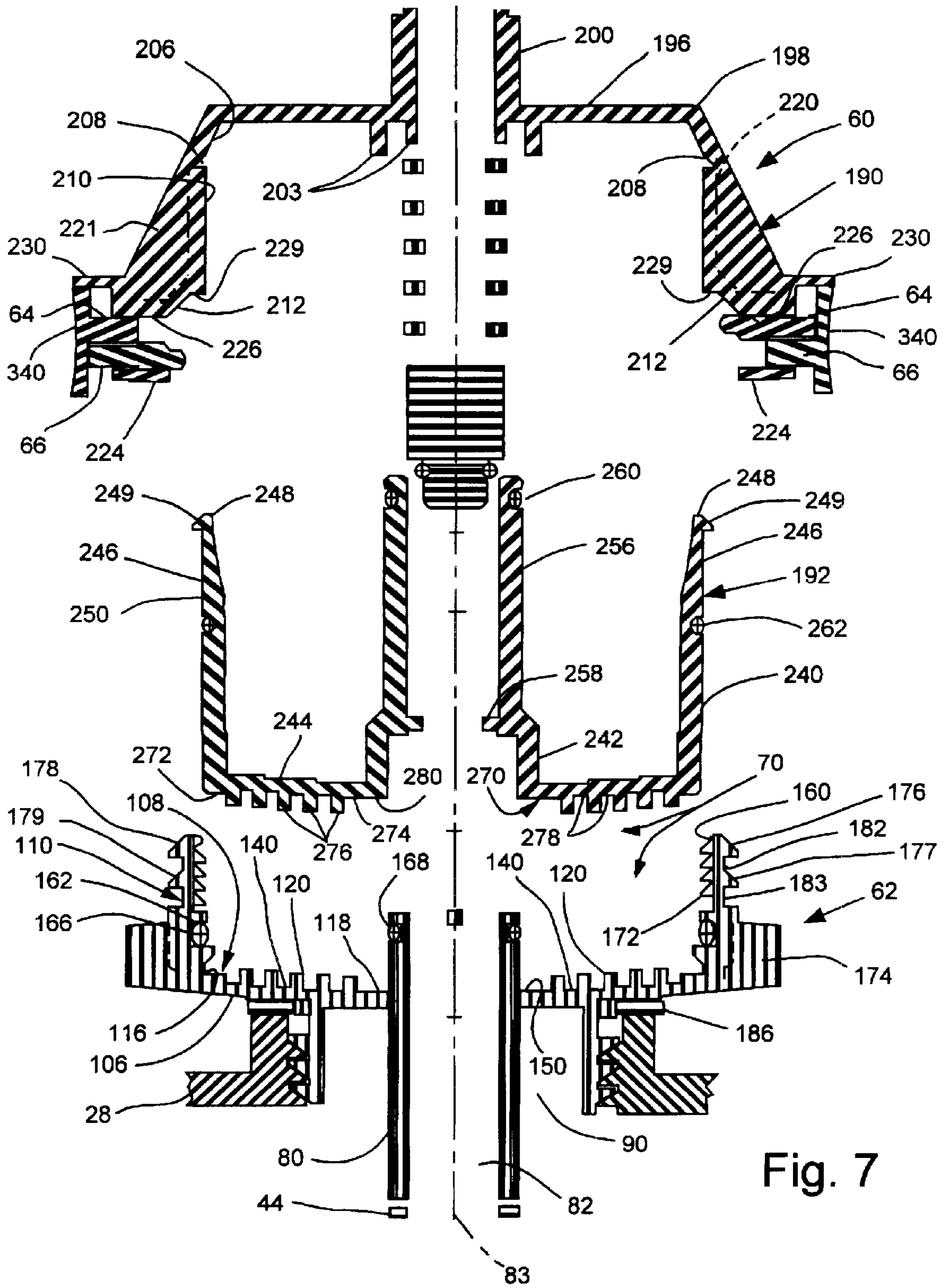


Fig. 6



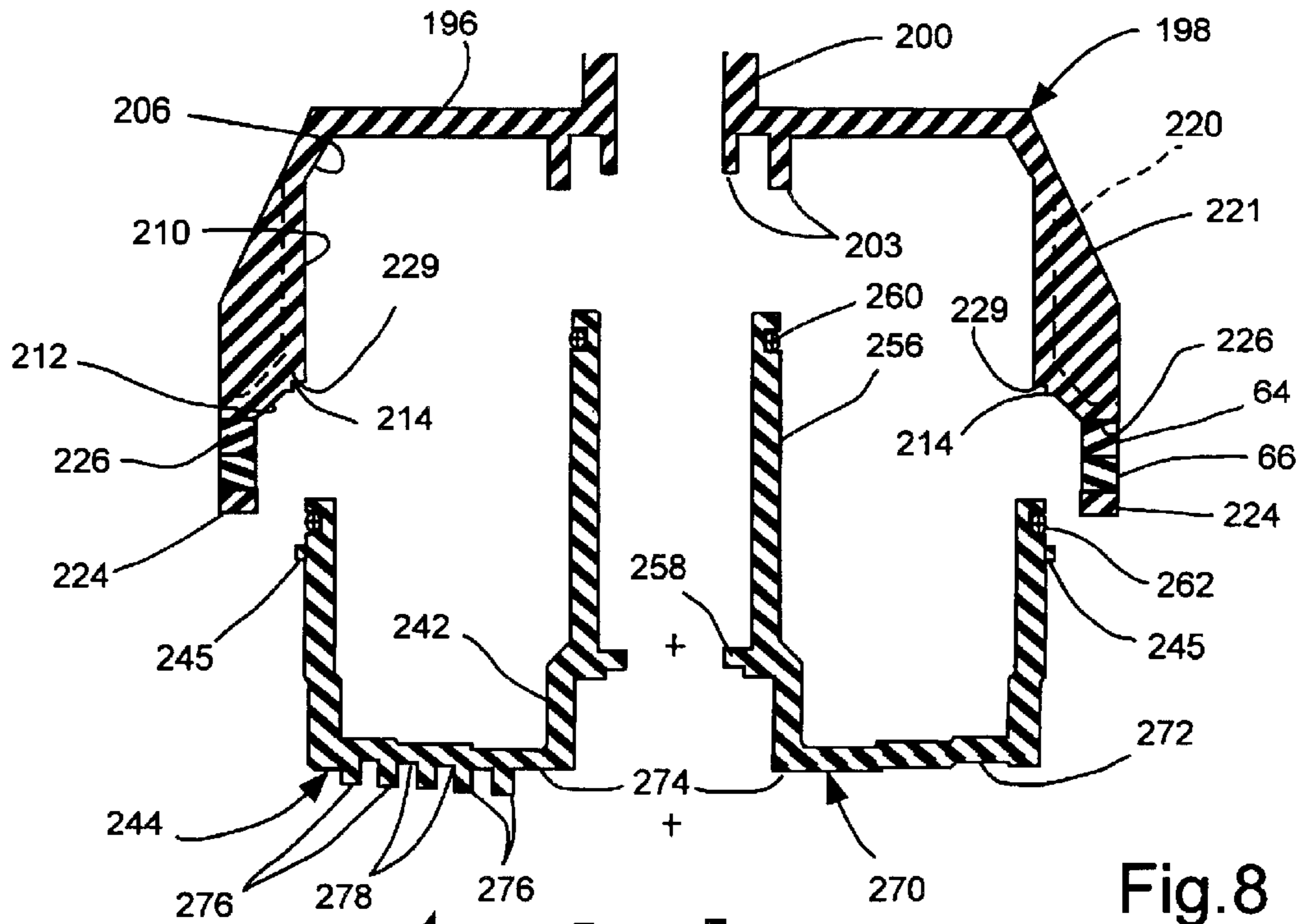


Fig. 8

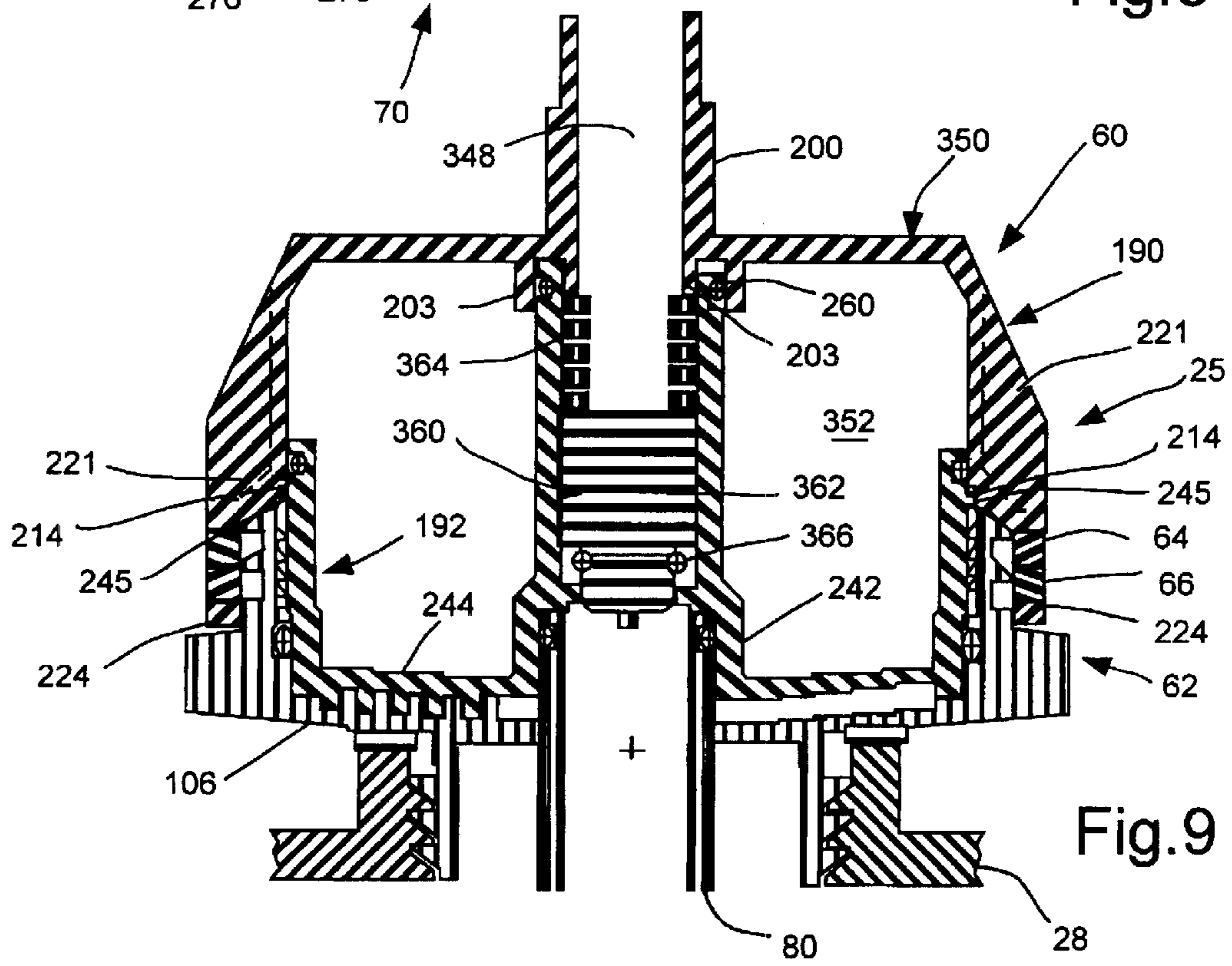


Fig. 9

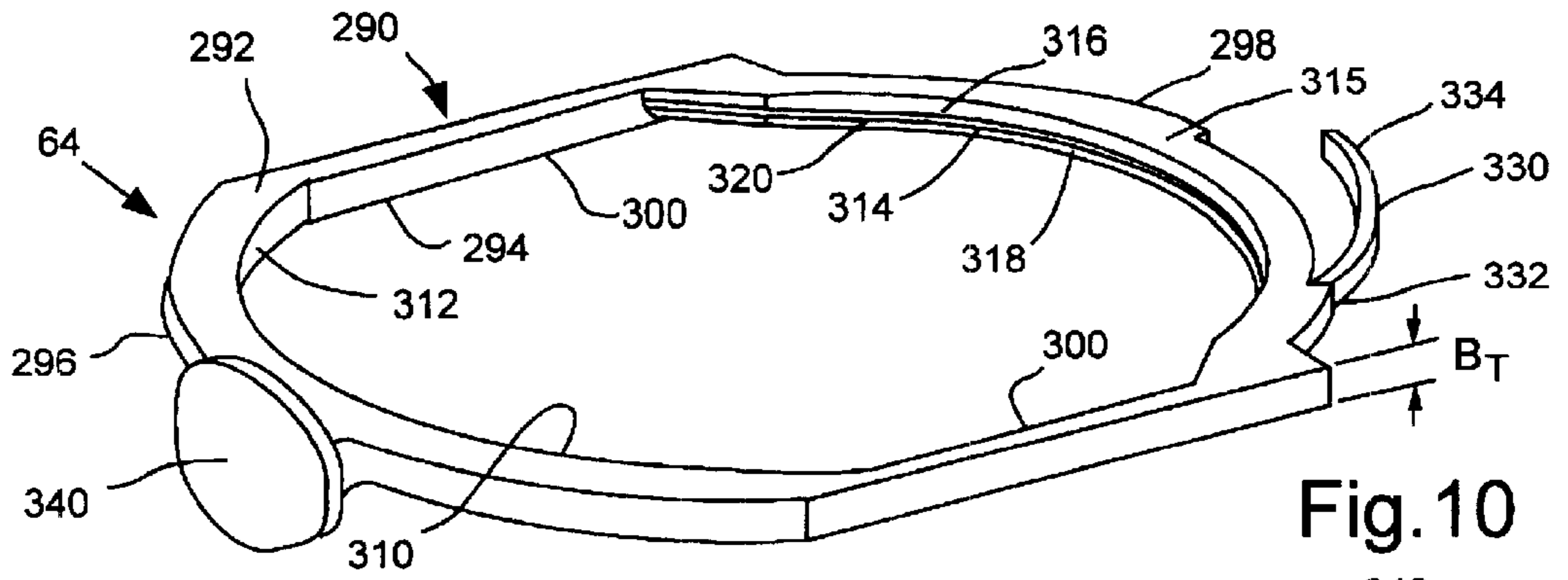


Fig. 10

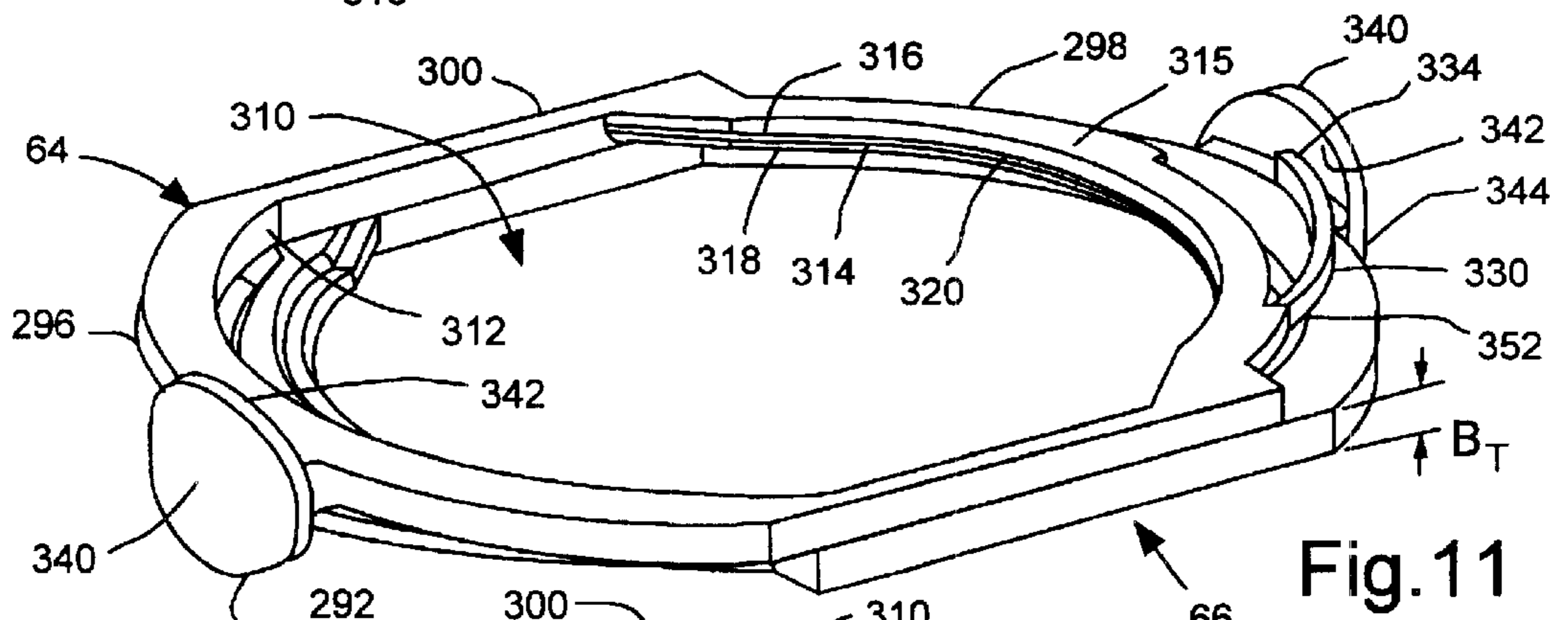


Fig. 11

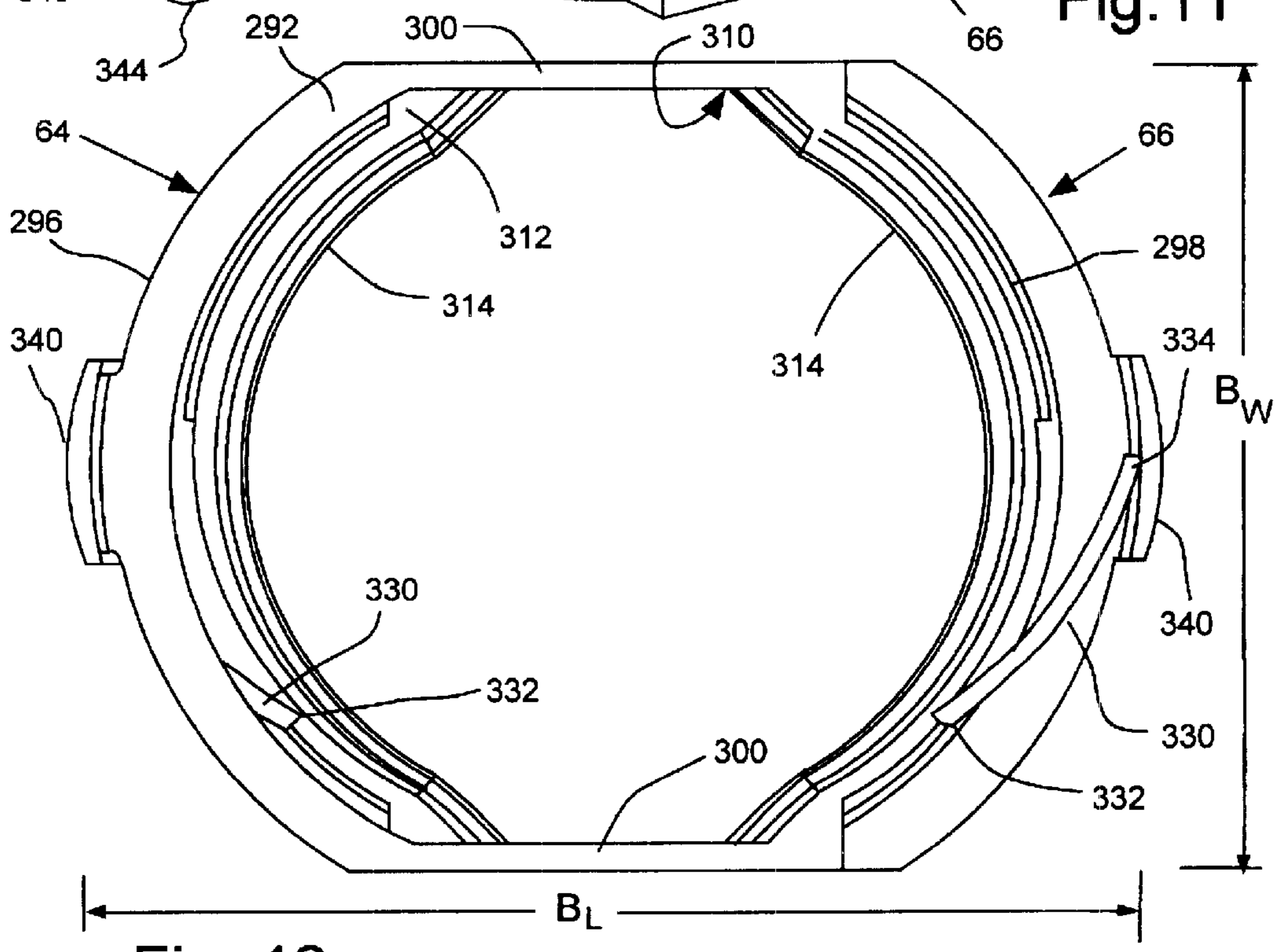
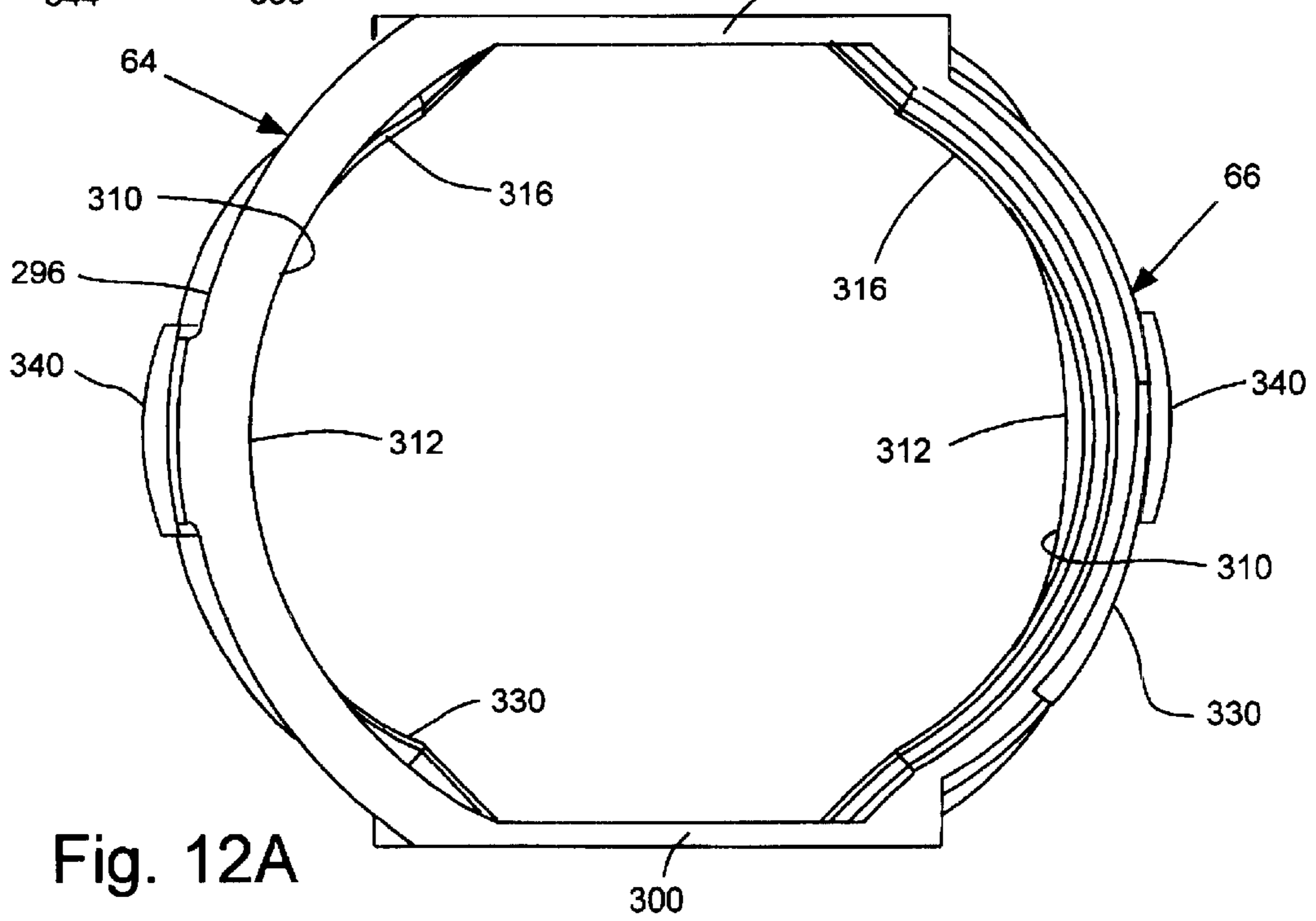
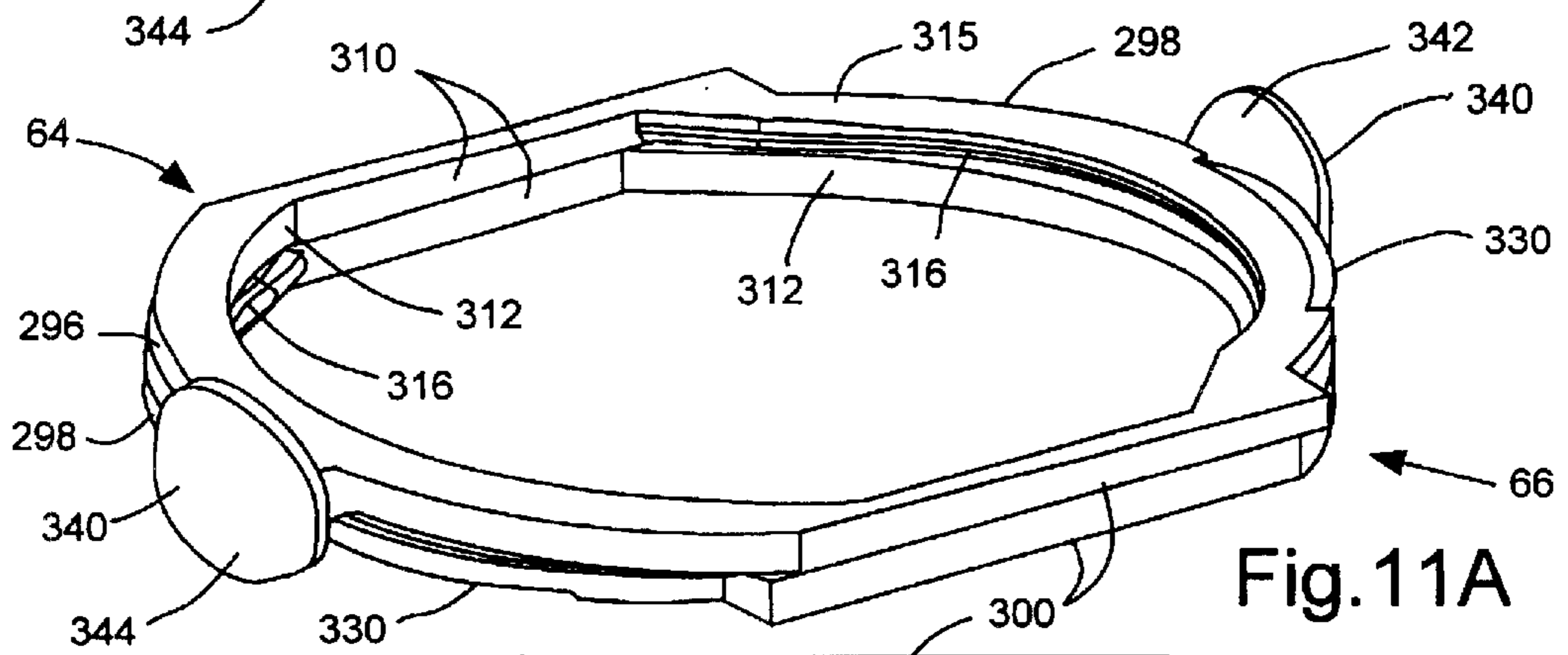
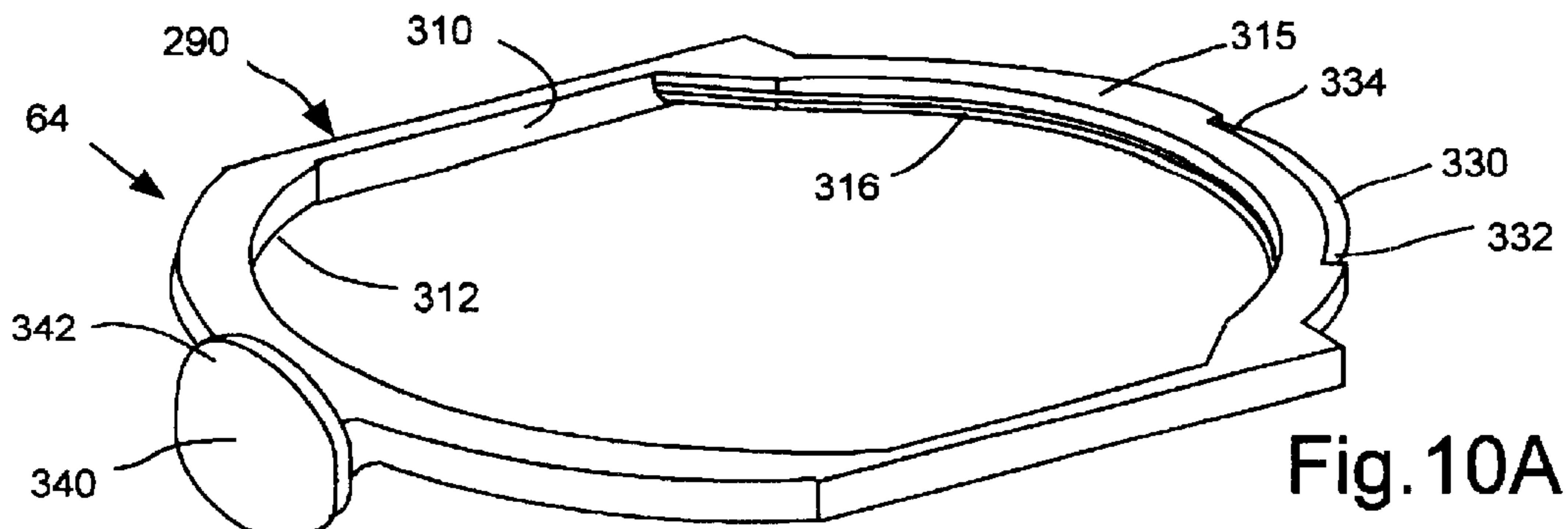


Fig. 12



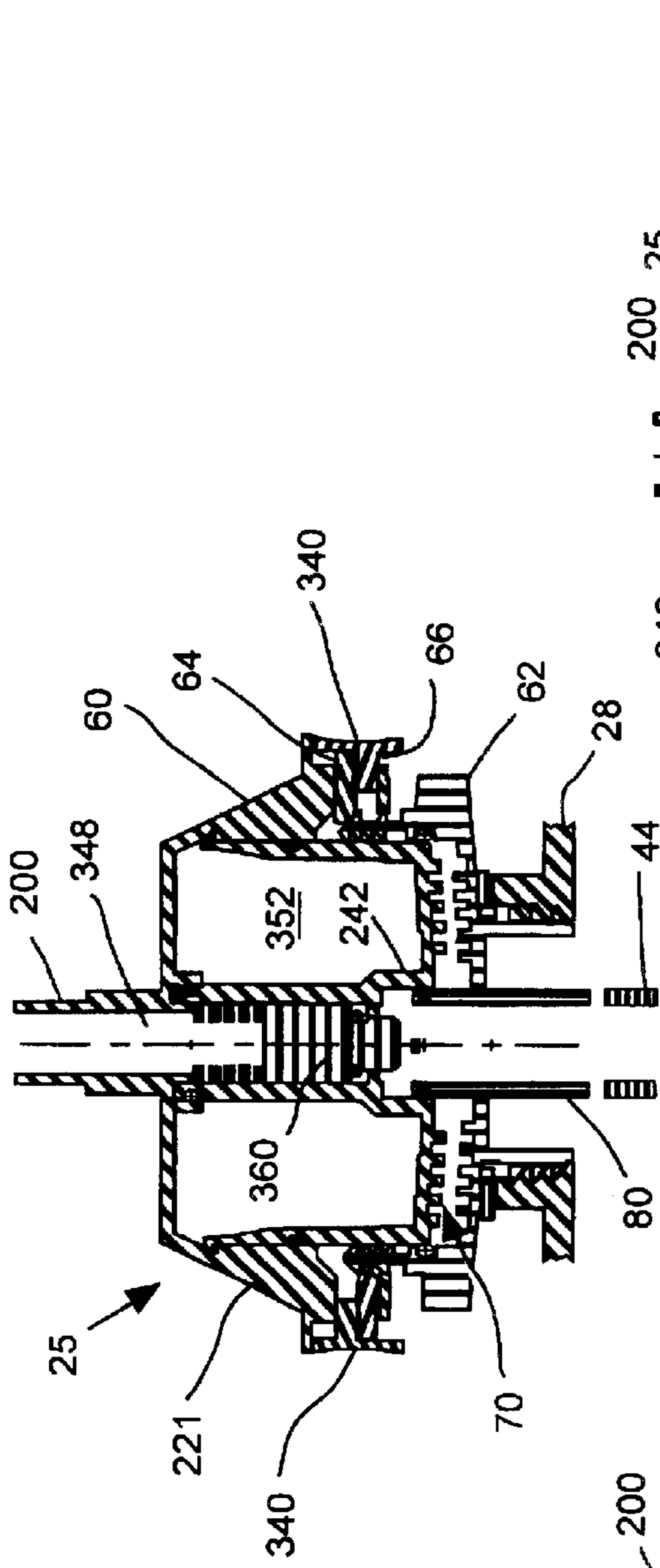


Fig. 13A

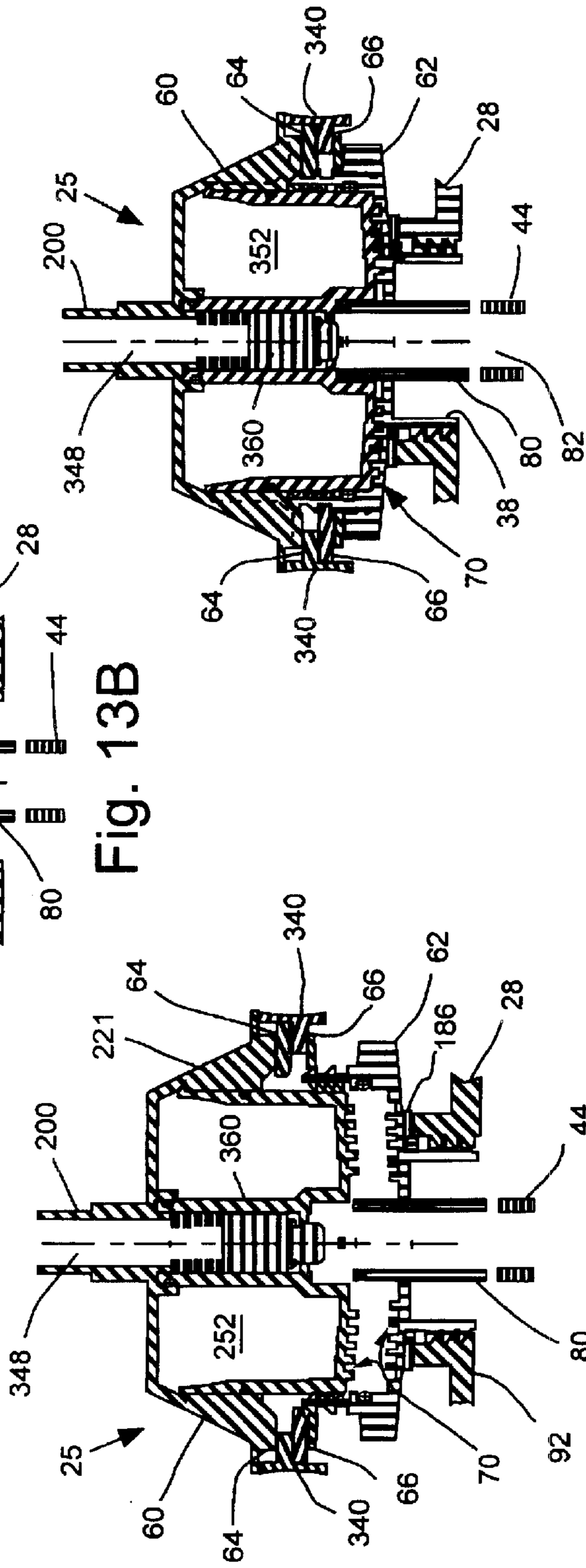


Fig. 13B

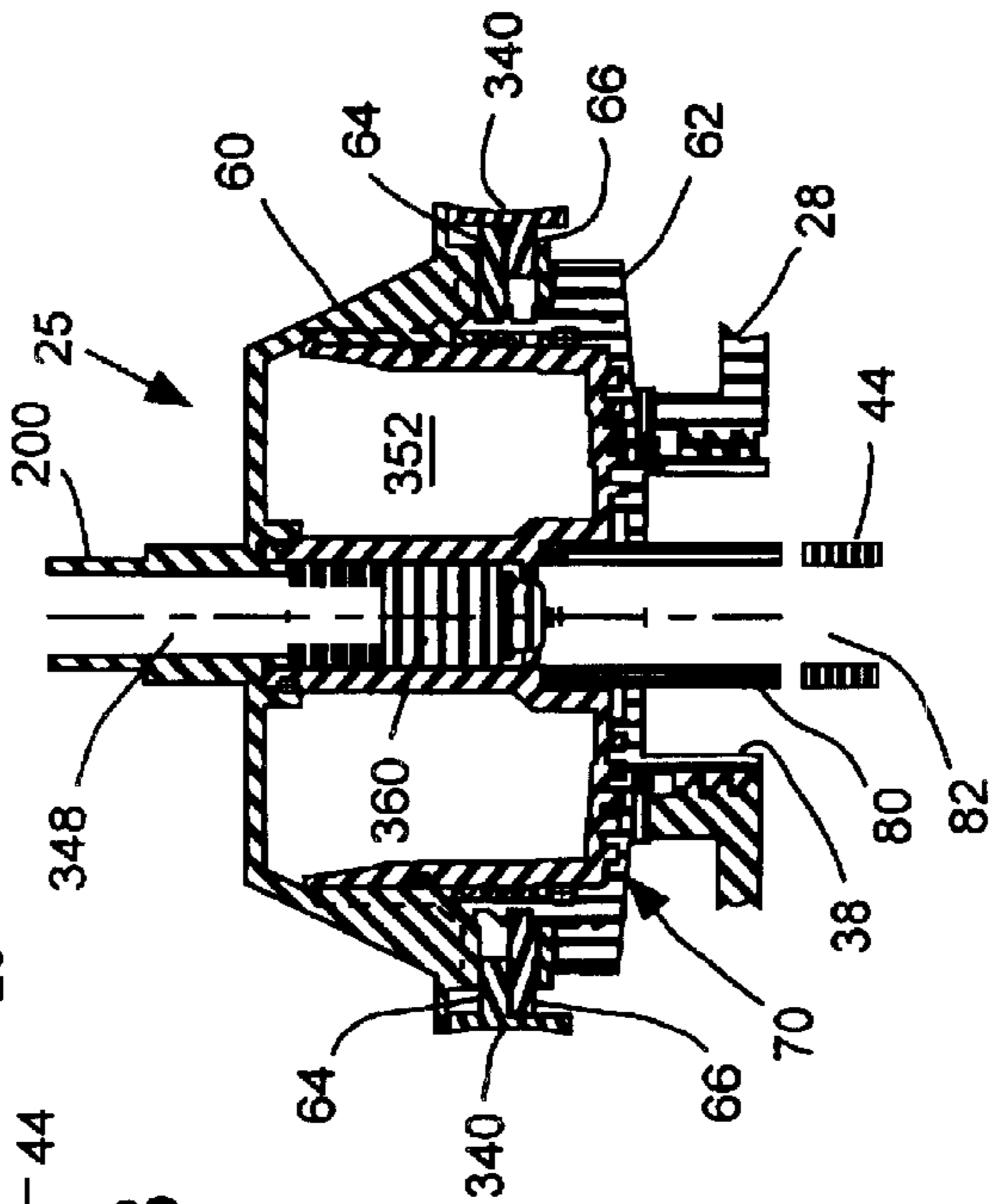


Fig. 13C

Fig. 13A

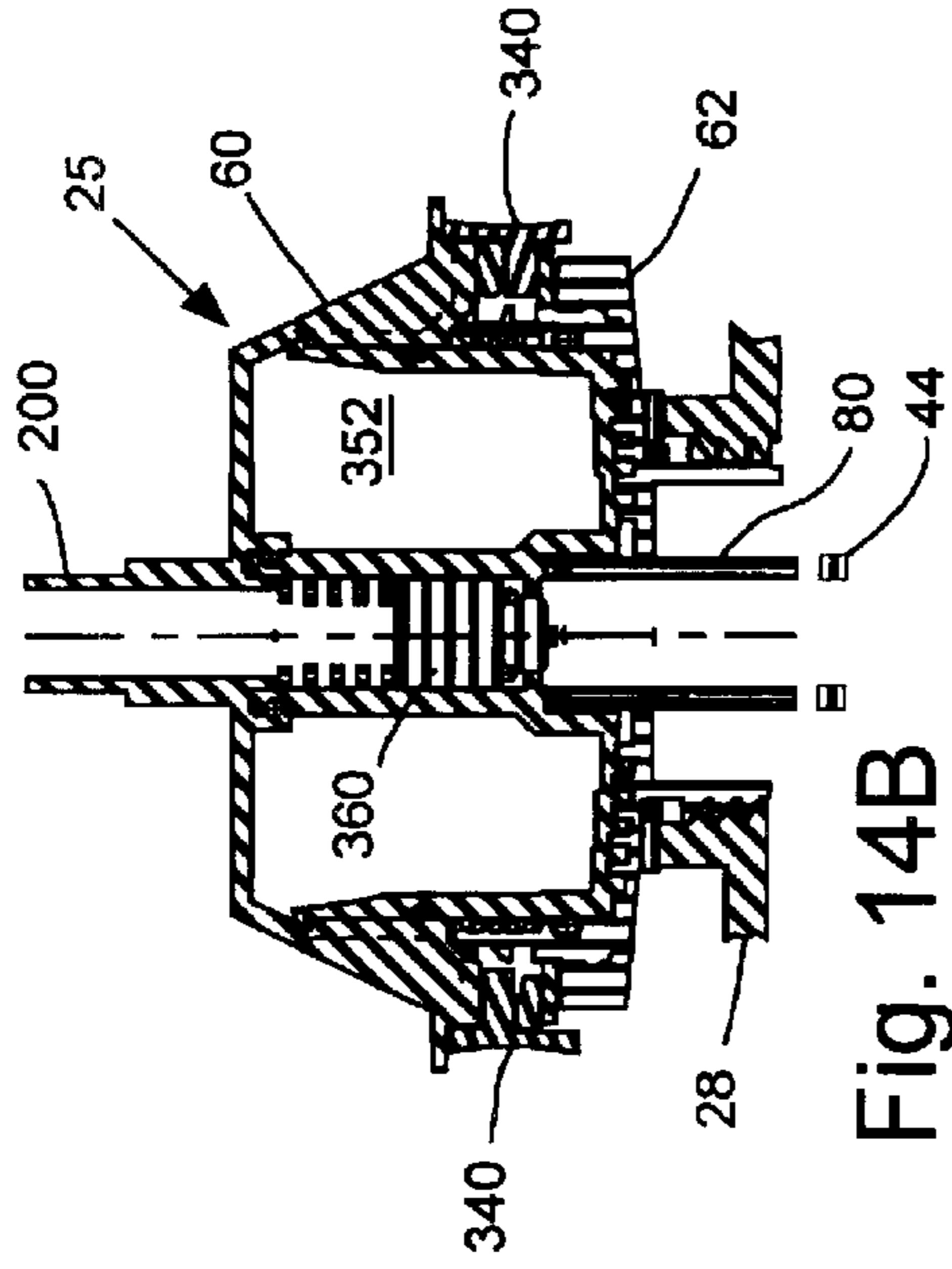


Fig. 14B

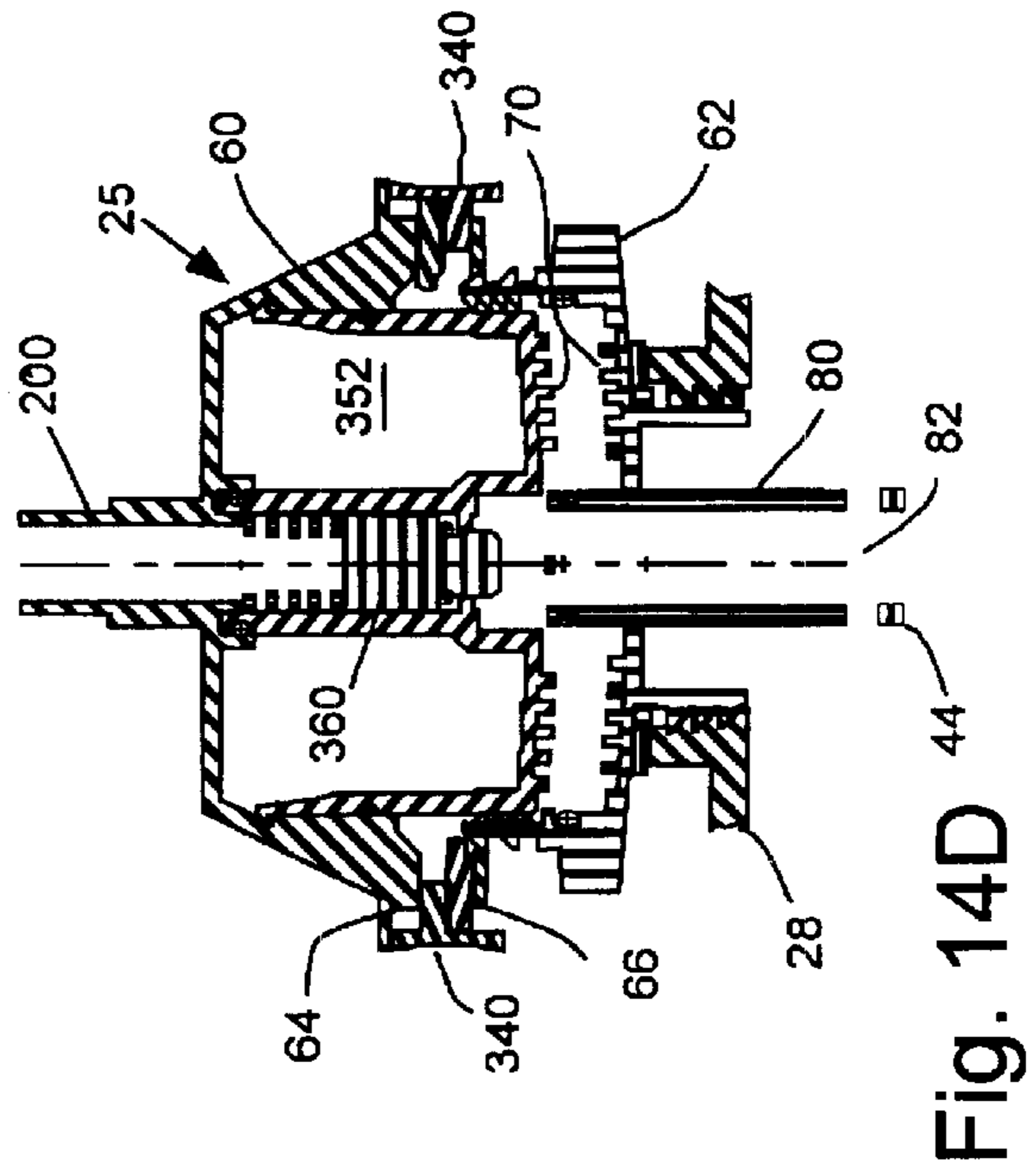


Fig. 14D

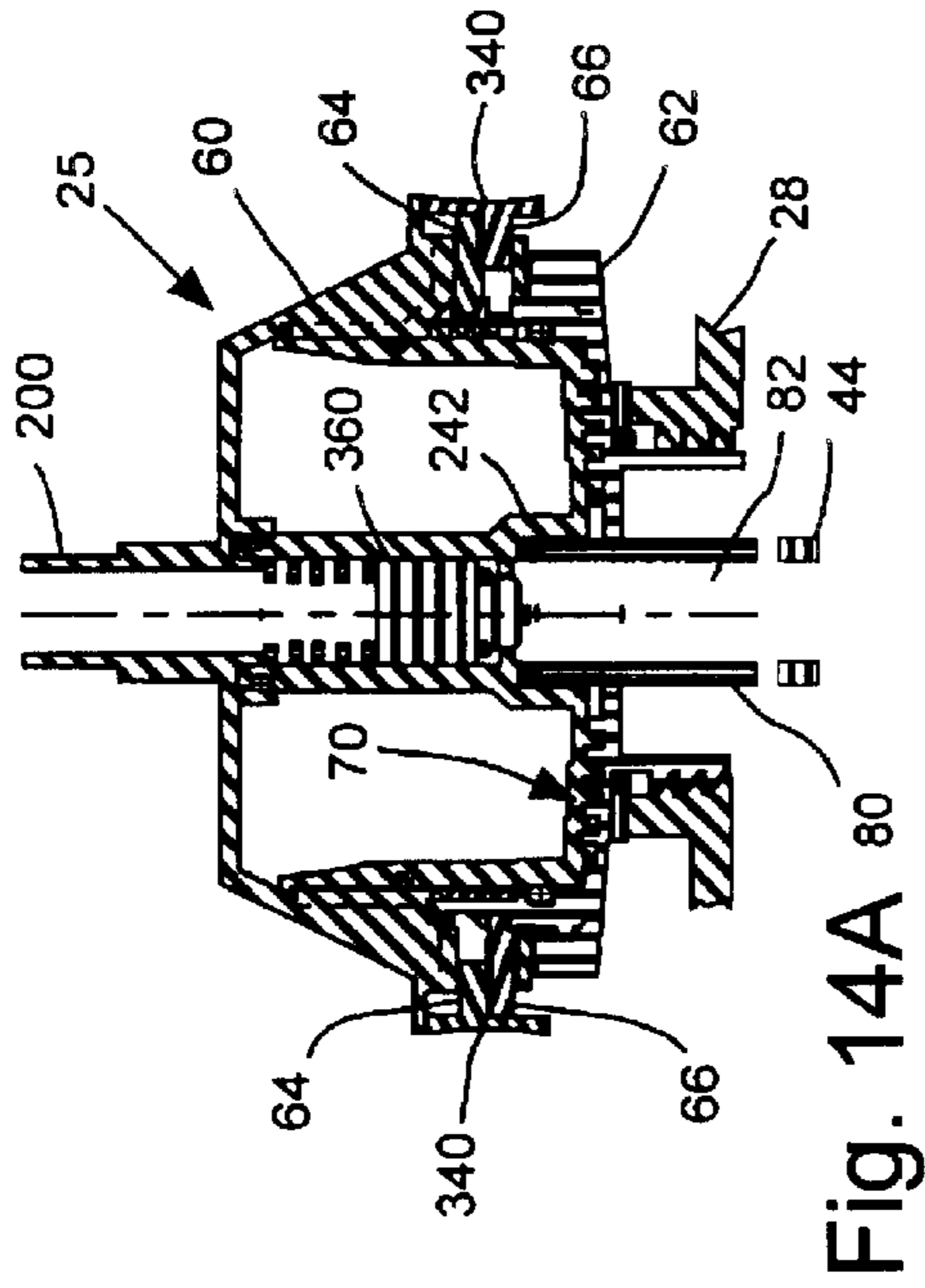


Fig. 14A

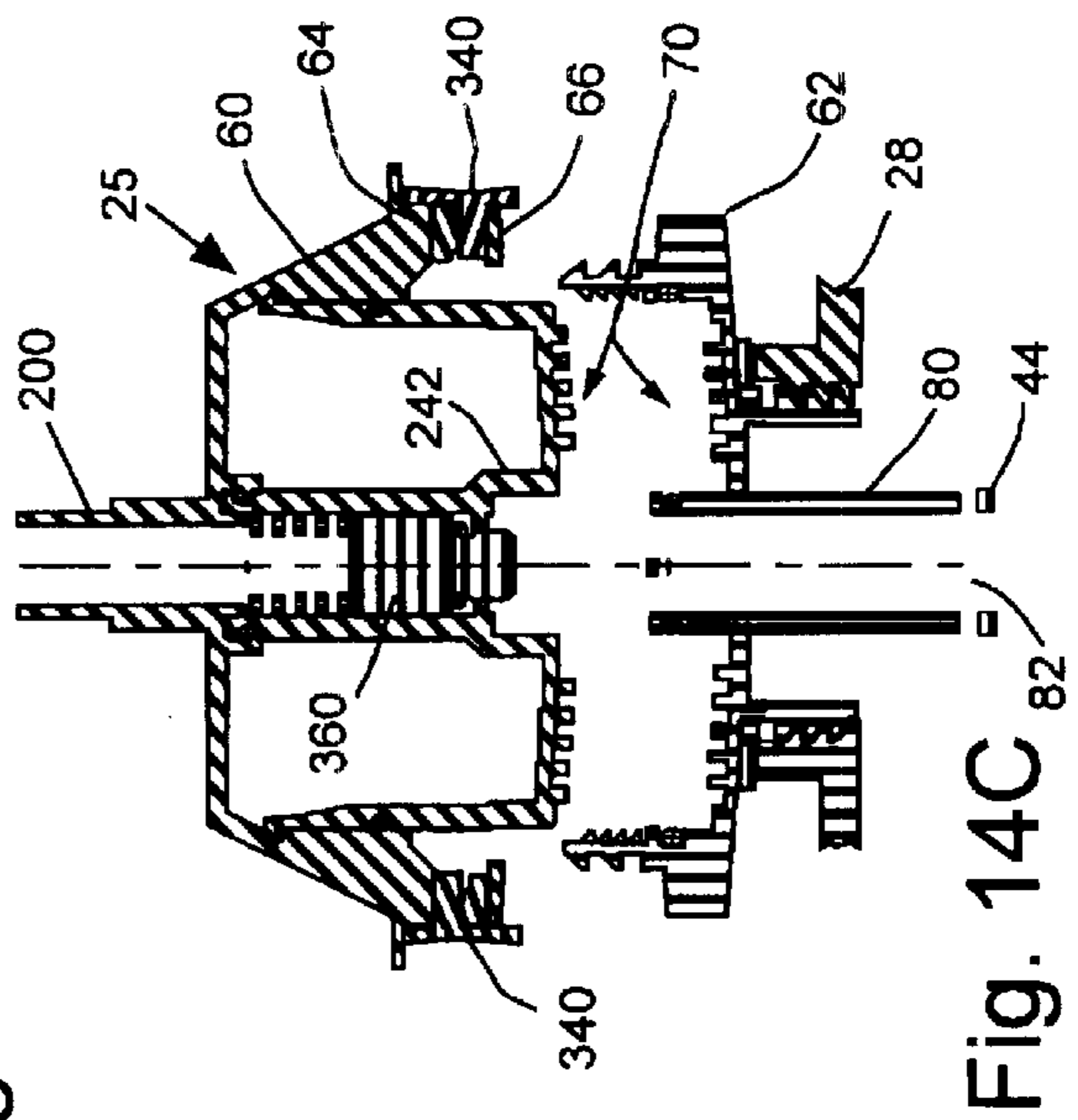


Fig. 14C

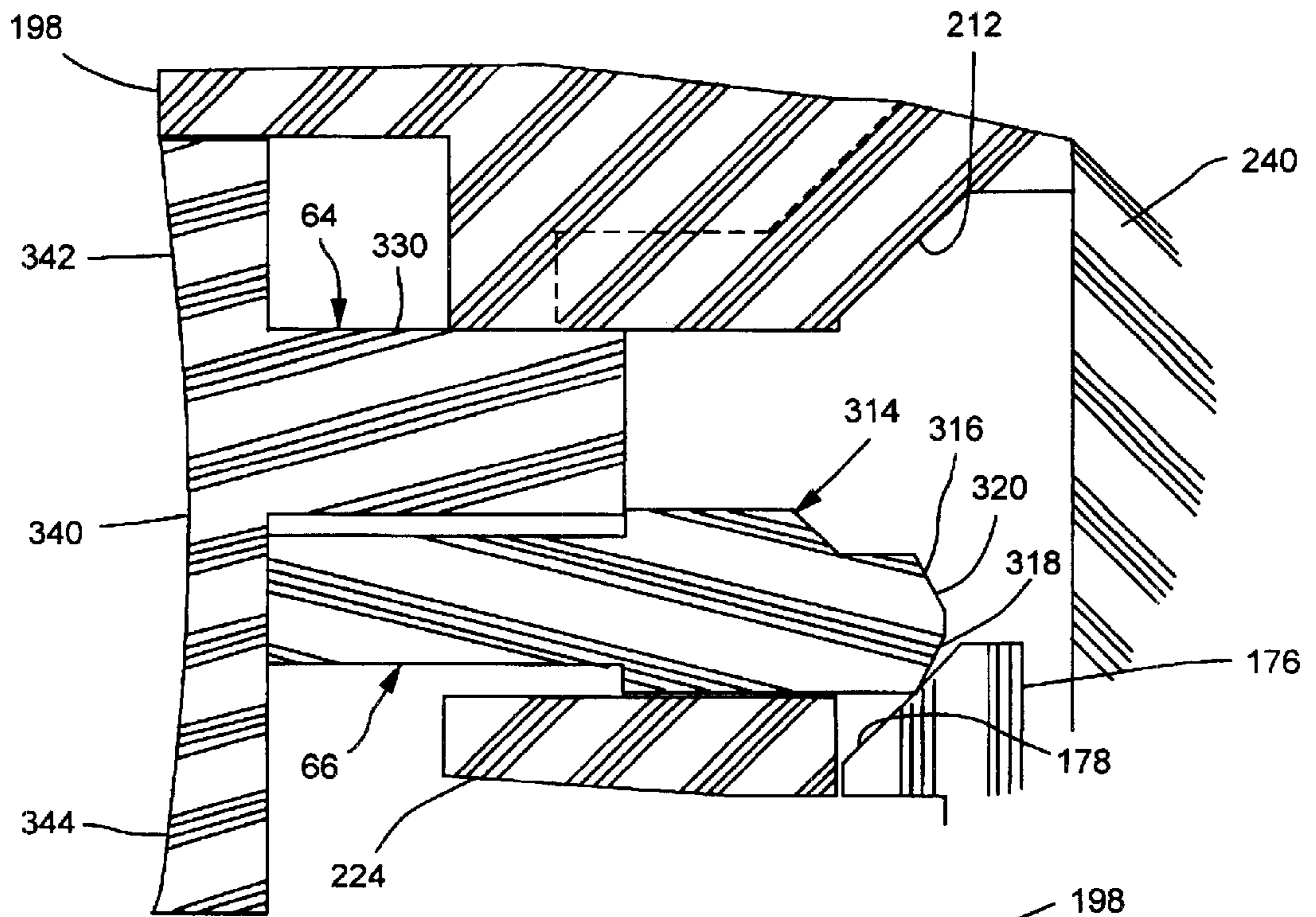


Fig 15

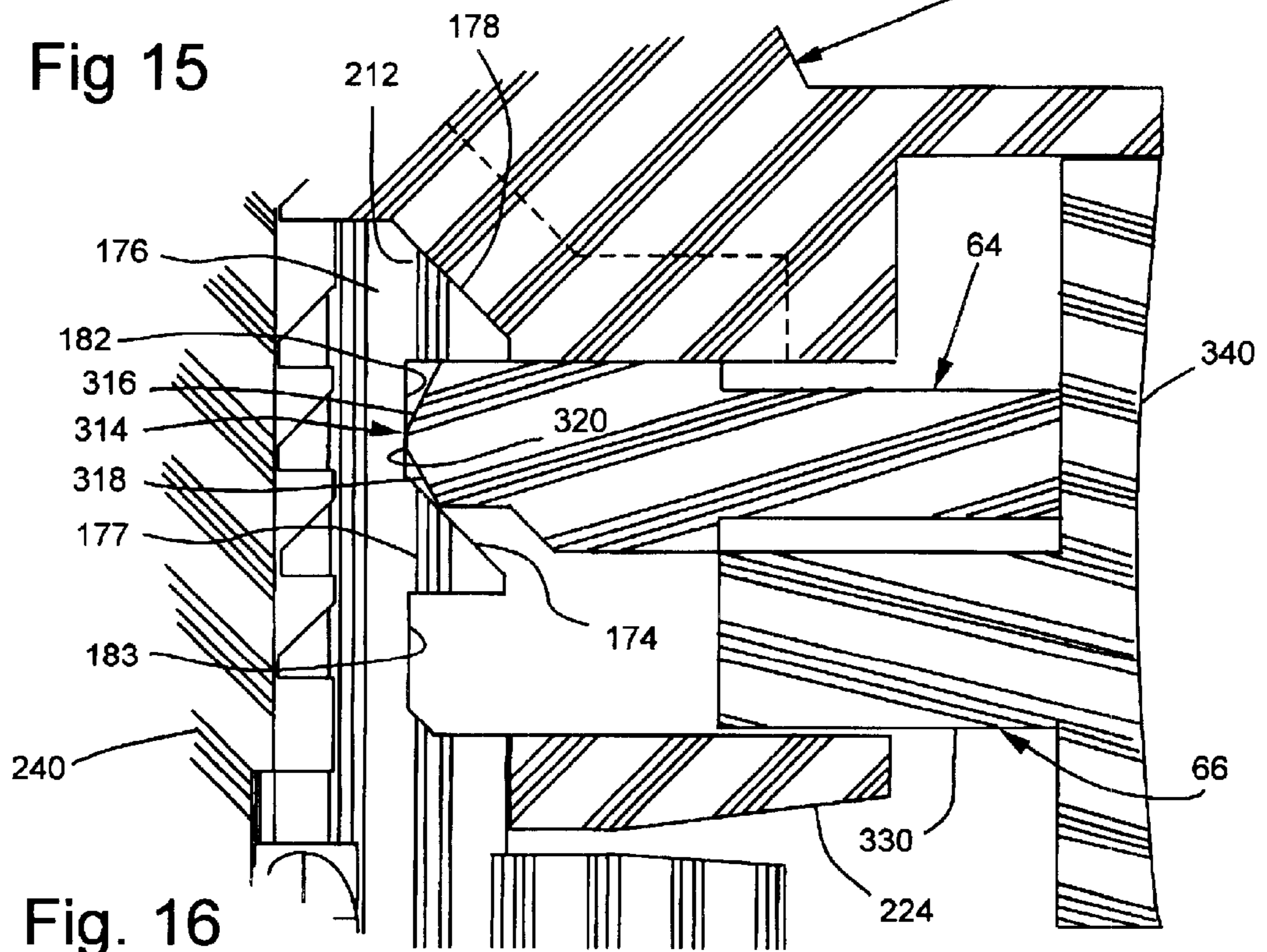


Fig. 16

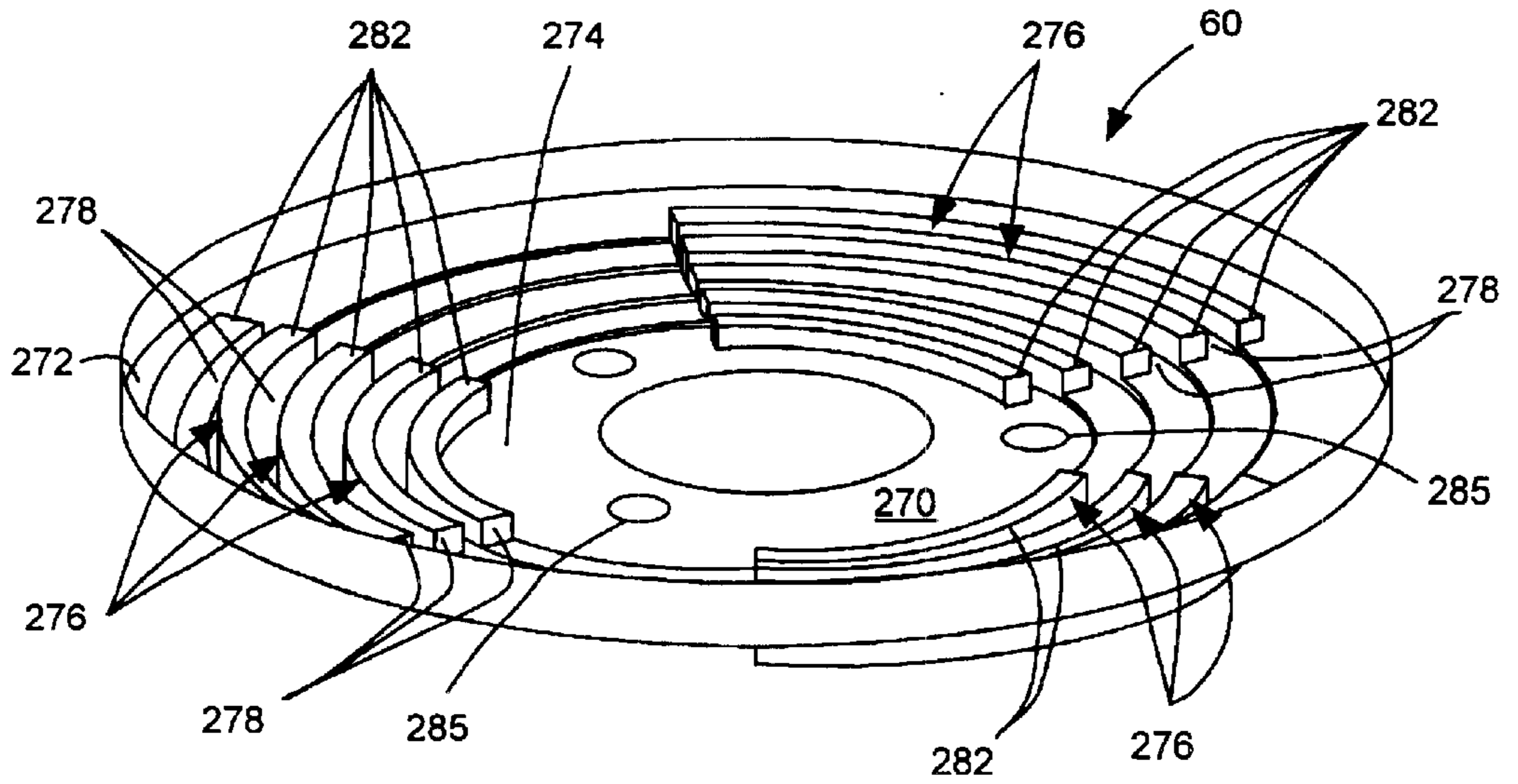


Fig. 17

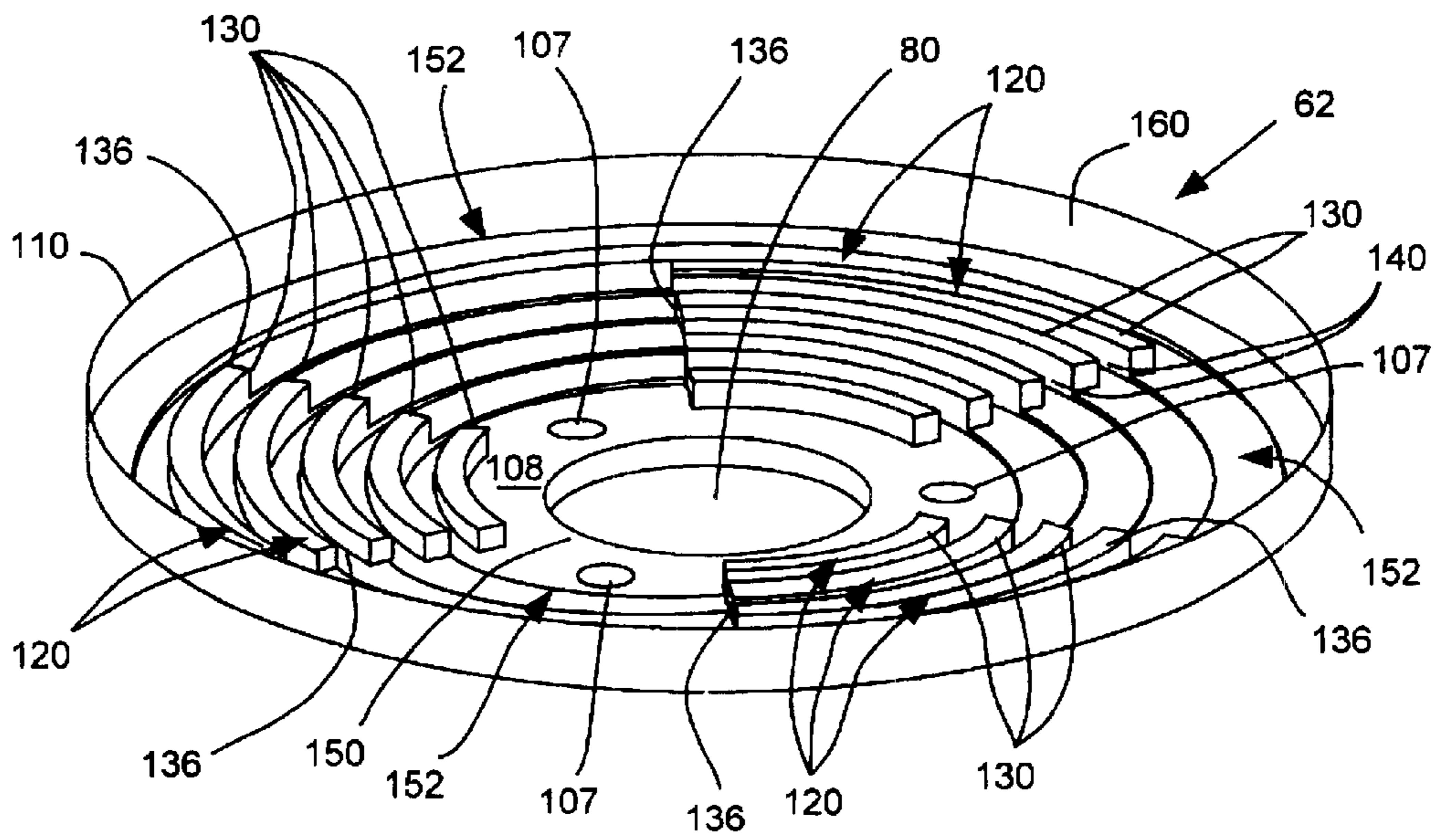


Fig. 18

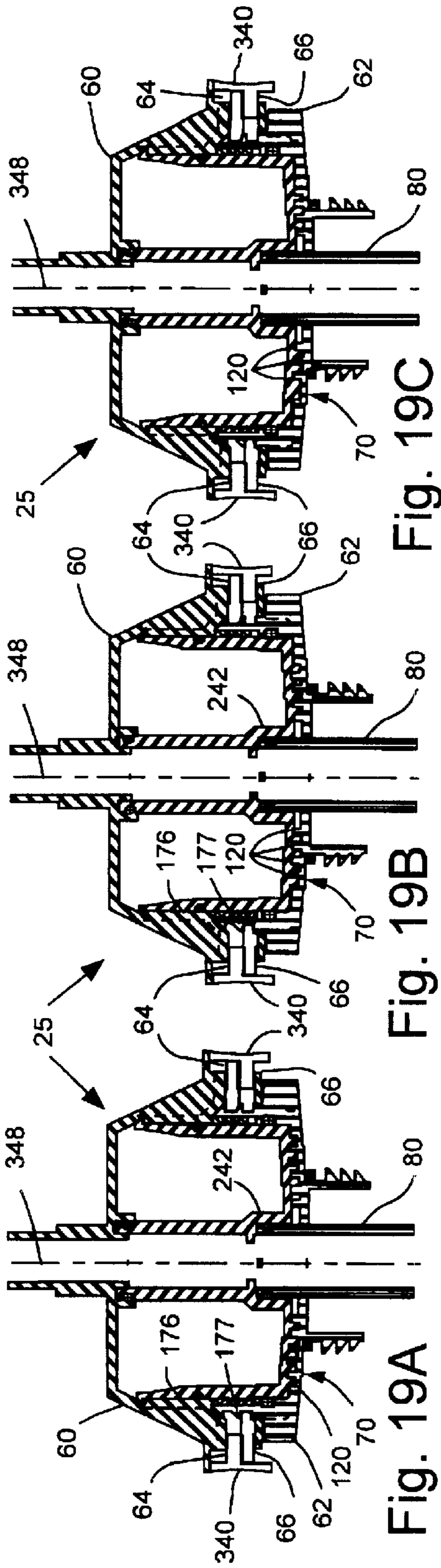


Fig. 19A

Fig. 19B

Fig. 19C

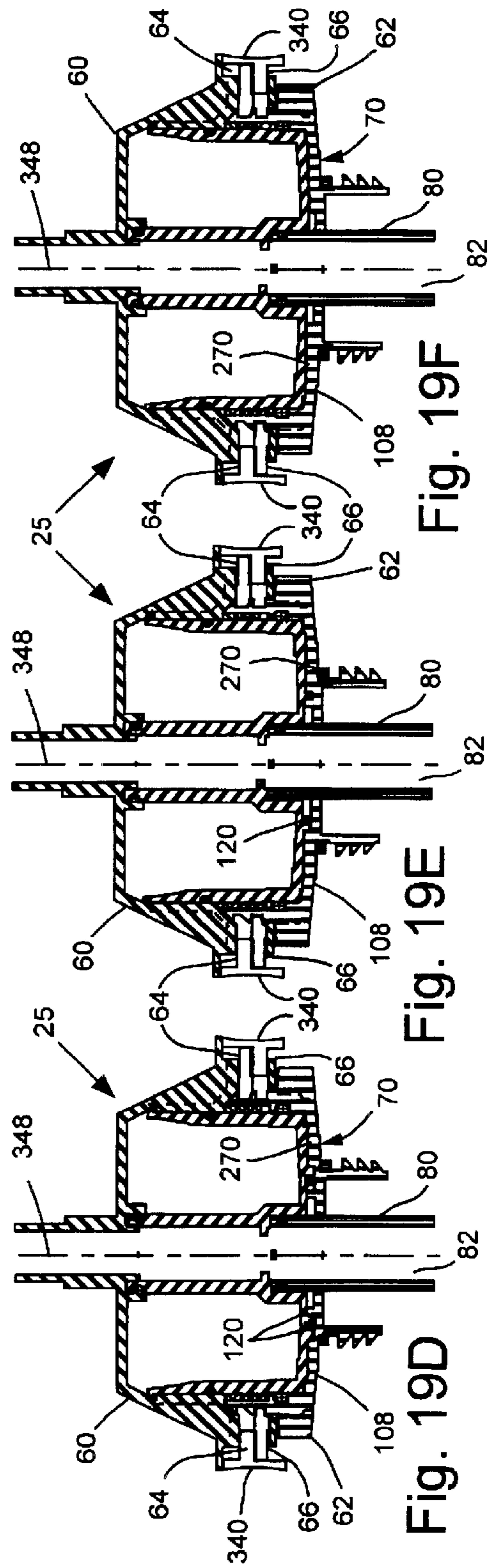


Fig. 19D

Fig. 19E

Fig. 19F

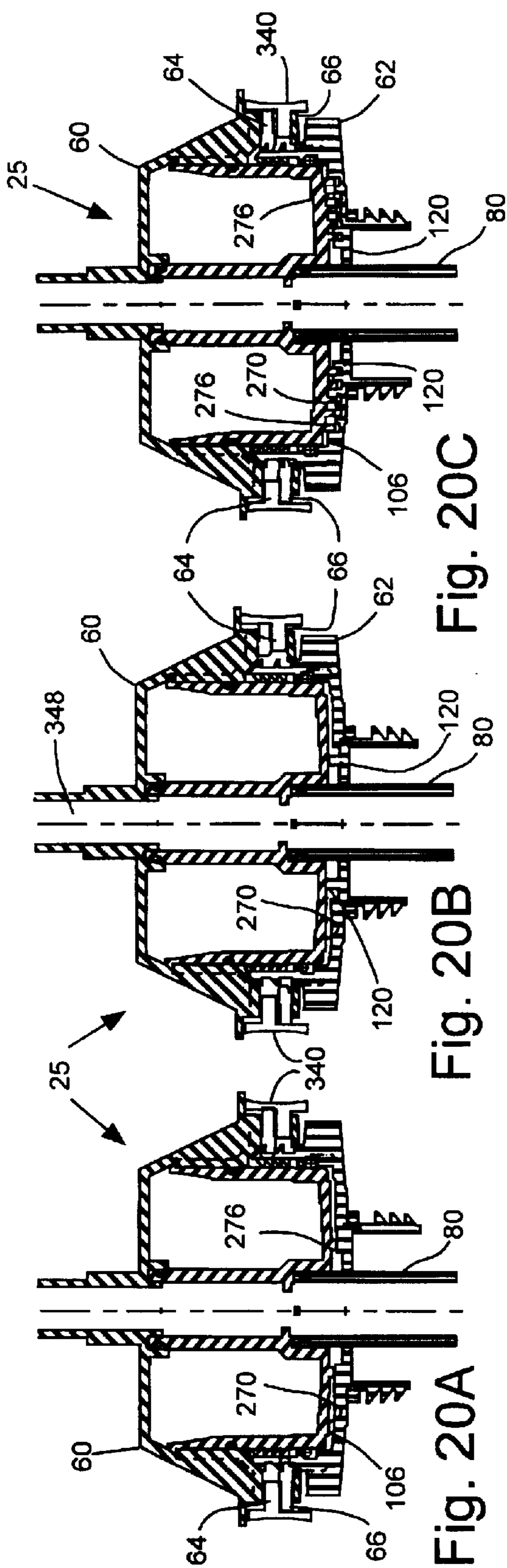


Fig. 20C

Fig. 20B

Fig. 20A

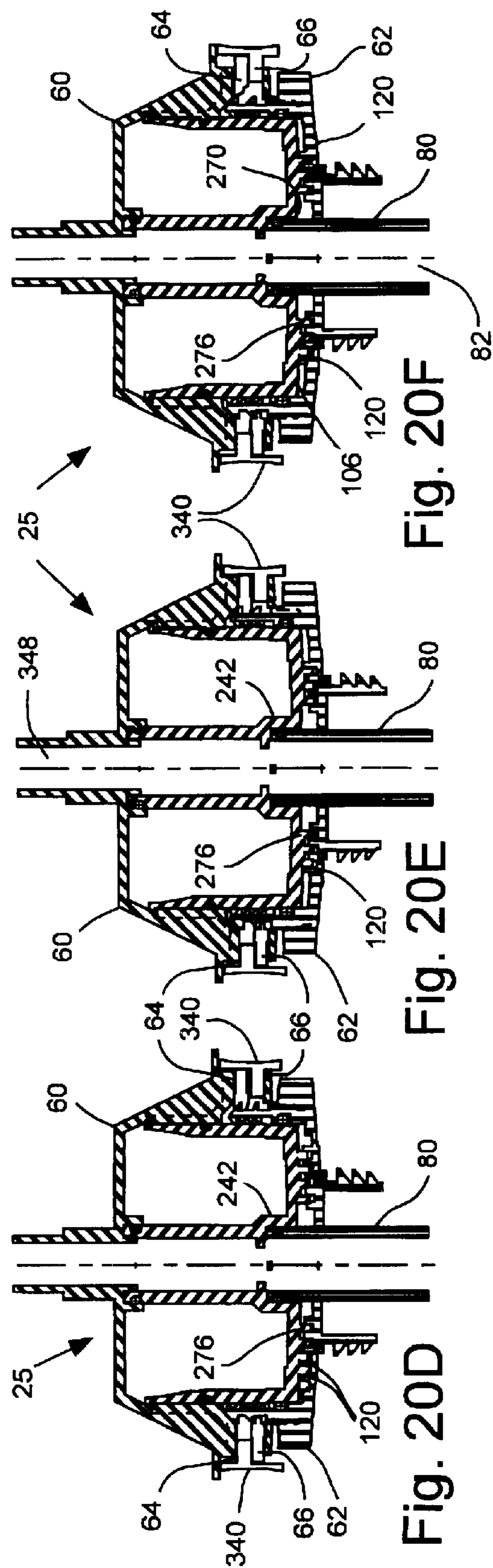


Fig. 20F

Fig. 20E

Fig. 20D

**FLUID COUPLING FOR MATCHING
DELIVERY AND SUPPLY LINES
IRRESPECTIVE OF THE RELATIVE
ROTATIONAL POSITIONS OF THE
COUPLING MEMBERS**

Matter enclosed in heavy brackets [] appears in the original patent but forms no part of this reissue specification; matter printed in italics indicates the additions made by reissue.

FIELD OF THE INVENTION

The present invention pertains to a fluid coupling and system for use thereof and more particularly to a quick-connect and -disconnect fluid coupling having coupling members that are quickly connectable and disconnectable and to a system which incorporates in the coupling different matching key-coded elements that ensure not only quick connection but connection of only those coupling members that match.

BACKGROUND

In various industries, it is necessary to use many chemicals in the manufacturing process. For example, in the semiconductor industry, some fifteen to twenty liquid chemicals are typically stored in adjacent fifty-gallon drums from which they are dispensed during the manufacture of the semiconductors. In the usual installation, sets of umbilical delivery lines for various chemicals are suspended above the drums with a particular set dedicated to a particular chemical. Each set of delivery lines is connected to its associated drum by a coupling which has one coupling member on the delivery lines and a second coupling on the drum.

As each drum is emptied during the manufacturing process, a full drum is brought in to replace the empty one. Accordingly, the coupling members must be repeatedly connected and disconnected. Because of the incompatibility of the chemicals, it is critical that each set of delivery lines be connected only to its intended drum to avoid unsafe mixing and undesired contamination. Moreover, to maintain productivity, such connections and disconnections must be made quickly and routinely by production personnel.

To insure correct connection of delivery lines to their intended drums, the known chemical extraction apparatus uses fluid couplings that incorporate matching coding elements on the coupling members. Examples of such fluid couplings and their coding devices are shown and described in the U.S. Pat. No. 4,699,298 to Grant et al. and U.S. Pat. No. 5,108,015 Rauworth et al. A significant disadvantage of these known couplings, however, is that they cannot be as quickly connected and disconnected as is desired. Although referred to as quick-connect couplings, they use threads to establish the connection. Repeated threading and unthreading of couplings over a production run consumes a significant amount of valuable time and also can produce additional delays if the threads become fouled and otherwise fail to mesh properly. Moreover, the coding devices of these known couplings require relative rotation of the coded parts to test for a match and then to make the match or to realize that the coupling members are mismatched.

Fluid couplings that can be connected and disconnected without threading are of course available and are truly quick-connect and -disconnect couplings. Examples of known quick-connect couplings are disclosed in U.S. Pat. No. 4,436,125 to Blenkush and U.S. Pat. No. 5,052,725 to Meyer et al. Such known couplings of this type, however,

are not suitable for the chemical extraction industry or other industries where matched connections are mandatory since they make no provision for coding. Moreover, the latching mechanisms used in such known quick-connect couplings do not lend themselves to balanced and dependable two-handed operation by personnel in production processes such as described above.

SUMMARY

A quick-connect coupling is provided for enabling interconnection of only matching coupling members while preventing the inadvertent interconnection of mismatched coupling members notwithstanding the presence of a plurality of coupling members some of which are matched and some of which are mismatched. The coupling includes first and second coupling members that are releasably slidably, axially interfitted with their passageways in fluid communication. Key coding elements on the coupling members are movable into matched interengagement when the coupling members are matched but are precluded from moving into matched interengagement when they are mismatched. If a match exists, the coding elements interfit without relative rotation of the coupling members and irrespective of the relative rotational positions of the coupling members prior to such interengagement. Latches in the coupling are allowed by the key coding to move into latching positions when the key coding elements match but are precluded by the key coding from moving into latching positions when there is a mismatch. The subject key coding system is especially advantageous in providing a user with immediate visual indications of whether particular coupling members are matched or mismatched. The coupling members are coupled by simply axially thrusting the members together whereupon the latches move out to allow interfitting and then return to latching positions. The coupling members are uncoupled by simultaneously pressing inwardly on the latches on the outside of the coupling and pulling the coupling members apart.

An object of this invention is to provide an improved quick-connect coupling.

Another object is to provide a quick-connect and disconnect coupling for use in a chemical extraction system involving drums of chemicals and delivery lines suspended above the drums.

A further object is to improve the productivity and safety of dispensing a plurality of incompatible chemicals through different delivery lines from different drums in a manufacturing process.

A still further object is to provide an improved coding system for enabling desired interconnection of only matched coupling members of a fluid coupling.

Yet another object is to incorporate a coding system for a quick-connect coupling that prevents coupling of mismatched coupling members while still allowing quick connection and disconnection of the coupling.

An additional object is to code fluid coupling members so that, apart from a visual inspection, testing for a match and establishing a coupling is accomplished without relative rotation and solely by axial movement of the coupling members and without regard to the relative rotational positions of the coupling members prior to or during interfitting thereof.

A still further object is to provide a key-coded, quick-connect coupling that does not require swiveling of its coupling members for connection but permits the parts being coupled to swivel without affecting the rapidity of intercon-

necting matched coupling members and without affecting operation of coupling.

A further object is to minimize the time required dependably to connect matched coupling members of a coded coupling or to determine that the coupling members are mismatched and will not couple.

Another object is to provide a coded quick-connect coupling composed of parts that are molded or machined of plastic materials and that has molded-in identification of the codes.

An additional object is to provide a key coding system for a coupling that enables many different combinations of matches and mismatches.

Yet another object is to provide a molded one-piece latch for a fluid coupling.

A further object is to provide a dual latch assembly including pair of duplicate molded latches for a coupling that can be made using the same mold.

Another object is to provide a symmetrical latching mechanism for a quick-connect coupling.

An additional object is to provide a quick-connect coupling which has dual latching members on one of the coupling members that engage latching elements on both sides of the other coupling member in the coupled or latched condition.

A still further object is to provide a latching mechanism for a quick-connect coupling in which the external appearance of the latches indicates the coupled or uncoupled status of the coupling.

Still another object is to provide integral molded latches for a fluid coupling in which resiliently flexible biasing arms for the latches are not exposed externally of the coupling.

Another object is to isolate the latches of a quick-connect coupling from the fluids carried by the coupling.

A further object is provide a quick-connect fluid coupling in which latches are captured in the coupling by the assembly thereof.

Yet an additional object is to provide a quick-connect coupling which automatically snaps into coupled position upon axially thrusting the coupling members together but which requires simultaneous, two-handed pressure on opposite sides of the coupling to release the coupling members.

A further object is to provide a coded, quick-connect coupling with improved sealing capabilities.

Yet another object is to provide an interactive key coding system and latching mechanism in a quick-connect coupling wherein the coupling members cannot be coupled unless they match.

Still further, an object is to minimize the twisting and tangling of the umbilical lines that hang above a plurality of drums of chemicals used in a chemical manufacturing process and that are connected and disconnected to and from selected drums.

A further object is to minimize the manufacturing costs of a quick-connect coupling.

Another object is to provide a fluid coupling where in first and second coupling members respectively connected to a source of fluid and to delivery lines are repeatedly uncoupled and recoupled and wherein fluid is allowed to drain back into the source and out of the coupling during such uncoupling and recoupling.

Still another object is to provide a fluid coupling for use on a typical fifty-five gallon drum containing liquid for the chemical processing industry which has an extractor drum

insert and bung that are compatible with the bung hole, rim, and other characteristics of such a drum, and which can withstand the drop tests required of such drums and their standard bungs.

A further object is to facilitate the assembly of the parts of one of the coupling members that is incorporated in the extractor head of a chemical extraction coupling.

These and other objects, features and advantages of the present invention will become apparent upon reference to the following description, accompanying drawings, and appended claims.

DESCRIPTION OF THE DRAWINGS

FIG. 1 is an enlarged, exploded vertical section of the extractor drum insert of the quick-connect coupling of the present invention and of the bung which is connectable to the insert but which is shown disconnected from the insert.

FIG. 2 is a vertical section similar to FIG. 1 but showing the extractor drum insert and threaded into the bung of a drum as used in a chemical extraction apparatus including a down tube fragmentarily shown in the drum.

FIG. 3 is a plan or end view of the key coding elements inside the extractor drum insert as seen from a position indicated by line 3—3 of FIG. 1 but with a schematic of the key coding elements of the extractor head shown overlaid on the insert.

FIG. 4 is a view similar to FIG. 3 but with the extractor drum insert rotated by sixty degrees from its position in FIG. 3 as indicated by the locations of said overlaid elements and to show that the key rings overlap in all relative rotational positions.

FIG. 5 is a fragmentary vertical section taken on line B—B in FIG. 3, and showing the coupling latched in coupled condition.

FIG. 6 is a fragmentary vertical section taken on line A—A in FIG. 3, and showing the coupling as it looks whether latched or unlatched or coupled or uncoupled.

FIG. 7 is a vertical section of both the extractor head and the extractor drum insert along the same plane as FIG. 5, or on line B—B in FIG. 3, with the extractor head being shown in a partially exploded view, or partially disassembled condition, reference being made to partial since the latches are shown in their assembled positions.

FIG. 8 is a partially exploded or disassembled vertical section of the extractor head, without the poppet valve, taken on line C—C in FIG. 3, again stated to be partial since the latches are shown in their assembled positions.

FIG. 9 is a vertical section of the coupling in interfitted condition taken on line C—C in FIG. 3.

FIG. 10 is an enlarged trimetric view of one of the latches of the subject fluid coupling shown in a latching position.

FIG. 11 is an enlarged trimetric view of both the upper and lower latches of the subject coupling, each of which is shown in a coupled position.

FIG. 12 is a plan view of the latches shown in FIG. 11.

FIGS. 10A, 11A, and 12A are companion views to FIGS. 10, 11, and 12, showing the latches in uncoupled positions.

FIGS. 13A, 13B, and 13C are vertical cross sectional views on a one-half reduced scale from FIGS. 1 through 9, taken on line B—B in FIG. 3, and showing the coupling in three significant stages of the axial coupling movement.

FIGS. 14A through 14D are vertical cross sectional views on a one-half reduced scale from FIGS. 1 through 9, taken on line B—B in FIG. 3, and showing the coupling in different stages of uncoupling movement.

FIGS. 15 and 16 are enlarged detailed vertical sections showing contact between certain latching surfaces of the latches on opposite sides of the coupling, respectively, during and upon completion of the coupling action.

FIGS. 17 and 18 are trimetric schematic views of the upper and lower ends of the coupling members in the extractor head and extractor drum insert of the subject coupling especially to show mating key coding elements on the coupling extractor head and drum insert, respectively, five coding rings being shown on each thereby indicating that the extractor head and drum insert match in accordance with the key coding system of the present invention.

FIGS. 19A through 19F are vertical cross sectional views on a one-half reduced scale taken on line B—B in FIG. 3 and showing different pairs of interfitted matched coupling members in accordance with the key coding system of the present invention.

FIGS. 20A through 20F are vertical cross sectional views on a reduced scale taken on line B—B in FIG. 3 and showing different pairs of mismatched coupling members unable to be interfitted in accordance with the key coding system of the present invention.

DETAILED DESCRIPTION

With particular reference to FIGS. 1–6, a quick-connect fluid coupling in accordance with the present invention is generally indicated by the numeral 25. The coupling is both a “quick-connect” and a “quick-disconnect” coupling, but as is well known, such expressions as “quick-connected,” “quick-disconnect,” and “quick-release” coupling are commonly used to mean a coupling that has both quick-connecting and quick-disconnecting capabilities. According, the expression “quick-connect” coupling is used herein to mean a coupling that is both quick to connect and quick to disconnect without repeating the word “disconnect” every time.

The subject coupling 25 (FIGS. 5 and 6) is particularly adapted for use in conducting chemicals in the semiconductor industry where a variety of highly corrosive and incompatible chemicals are used. Such chemicals include ammonium hydroxide; hydrogen peroxide; and hydrofluoric phosphoric, nitric, hydrochloride and sulfuric acids. These chemicals are typically stored in a plurality of fifty-five-gallon drums, partially indicated at 28 (FIG. 2) and as more fully illustrated in U.S. Pat. No. 5,108,015 which are part of a chemical extraction apparatus, which uses a coupling that is replaced by the subject coupling. Each drum has a top cover 34 which may be upwardly convex, an encircling rim, not shown, projecting upwardly around the cover, and an internally threaded bung hole 38.

The chemical extraction apparatus (FIG. 2) also includes chemical-supply or down tube or line 44 immersed in the chemicals of their respective drums and extended up to the bung hole 38 thereof. Also, the apparatus includes chemical and air delivery hoses or lines, not shown, attached to a fluid coupling and extending to the work areas of the semiconductor plant where the chemicals are to be used. As is well known, the delivery hoses associated with each chemical are suspended in an umbilical fashion above the drums 28 and are connected to their respective drums by a fluid coupling, in the present case, the fluid coupling 25. The subject coupling allows for the quick and dependable disconnection and re-connection of the delivery hoses to the down tube when a depleted drum is removed and a full drum replaces it, while ensuring that the delivery hoses for a particular chemical are connected to the particular drum containing that chemical.

The quick-connect fluid coupling 25 (FIGS. 1 through 9, especially FIG. 7) of the present invention in general includes an extractor head 60, abbreviated herein as “EH,” connected to the delivery hoses, not shown; an extractor drum insert 62, abbreviated herein as “EDI,” connected to the drum 28 and its down tube 44; upper and lower latches 64 and 66 in the EH which releasably interconnect the EH and the EDI if they match; a poppet valve 68 which opens and closes upon connection and disconnection of the coupling; and a key coding system generally indicated by the numeral 70 which ensures connection of the EH on the delivery hoses for a certain chemical to the EDI in the drum containing that chemical.

The extractor-drum insert or bung insert (EDI) 62 is best shown in detailed cross-section in FIG. 1. In describing the orientation of the EDI as well as the other parts of the subject coupling 25, a vertical orientation of the coupling is assumed since this is its normal position in use. It will be understood, of course, that the invention is not limited to use in a vertical position, but such reference is convenient for descriptive purposes. The EDI is made from a corrosion-resistant material, preferably a fluoropolymer plastic such as “Teflon” PFA, that is, perfluoroalkoxy, sold by the DuPont Corporation among others. In fact, all parts of the fluid coupling, except for the latches 64 and 66, are made of such a corrosion-resistant plastic. Most of the parts of the coupling may be either molded or machined as will be understood by those skilled in the art.

The EDI 62 (FIGS. 1 and 2) includes an inner tubular male coupling member 80, a tubular drum fitting 88, a radial base wall 106, and an annular outer wall 110. The male coupling member has a central fluid passageway 82 which defines a longitudinal axis 83 of the coupling 25 and has upper and lower ends respectively above and below the radial base wall. The upper end of the male coupling member is adapted to couple to the EH 60 in a manner to be described, and the lower end is welded to the down tube 44. A spider 84 of well known construction and operation is attached to the upper end of the male coupling member. The outer wall extends above the upper end of the male coupling member. The drum fitting has external threads 92 which thread into the bung hole 38 of the drum 28 (FIG. 2) thereby to connect the EDI to the drum. The drum fitting is in spaced, concentric, circumscribing relation to the male coupling member and defines an outer fluid passageway 90 therewith. The base wall has a plurality of vents 107 (FIGS. 3, 4, 6) that, in the chemical extraction use of the coupling 25, supply air to the drum 28 and, as will be seen, drain liquid back into the drum. The base wall also has a floor surface 108 of inverted frusto-conical shape so that it is downwardly convergent from its outer circumference toward the vents 107 and of stepped or terraced contour for a purpose to be described.

The key-coding system 70 of the fluid coupling 25 (FIGS. 4, 6, 7, and 20B), insofar as the extractor drum insert 62 is concerned, is provided on the floor surface 108 of the base wall 106. Thus, the floor surface 108 includes a continuous circular outer seating surface 116 immediately adjacent to the outer wall 110 which constitutes an upper tier of the key coding system in the EDI. The floor surface also has a continuous circular inner seating surface 118 immediately circumscribing the male coupling member 80 and constituting a lower tier of the coding system. In between, the key-coding system includes a plurality of intermediate, radially spaced, circumferentially segmented, concentric coding rings 120 circumscribing the male coupling member between the inner and outer seating surfaces and having

equal heights or axial dimension but radial upper surfaces or ledges gradually stepped down from the outer to the inner seating surface. In the illustrated embodiment the rings are not continuous, but are segmented as shown in FIGS. 3, 4, 17, and 18 and as further described below.

As will be described in greater detail as the description proceeds, the characteristics of these coding rings 120 determine the code of any particular coupling 25. One of these characteristics is the number of coding rings employed in any given coupling. For example, five coding rings are shown except in FIGS. 19B through F and 20A through C, E, and F, where for example, four rings are shown in FIG. 19B, three in 19C, two in FIG. 19D, one in FIG. 19E, and none in FIG. 19F. More will be said subsequently about the manner in which the coding is accomplished with the subject key-coding system.

Each coding ring 120 (FIGS. 1, 2, 3, and 18) on the EDI 62 includes a plurality of circumferentially spaced, arcuate ring segments or keys 130. Three keys per ring (FIGS. 3 and 18) are shown in the disclosed embodiment although the inventive concept is not limited to three. Each key has a length 132 measured along its arc, a width 134 (FIG. 2) measured radially of the key, an upper body 135 (FIG. 1) and opposite ends 136 (FIGS. 3 and 18). The keys are radially separated by continuous circular key slots 140 whose roots gradually step down from the outer seating surface 116 to the inner seating surface 118 by the same axial amounts as the rings. These slots have radial widths designated by the number 142 (FIG. 2).

Since each ring 120 includes three circumferentially spaced keys 130 (FIGS. 1, 2, 3, and 18), there are three circumferentially spaced groups of five radially spaced keys each, with the lengths 132 of the keys, i.e., circumferential dimensions, in each such group graduated from the outermost key of maximum length to the innermost key of minimum length. Adjacent ends 136 of the keys in each group are coterminous along radial lines so that the lengths of the keys in a particular group subtend the same angle relative to the axis 83 of the fluid passageway 82. Accordingly, the adjacent ends of adjacent groups of keys define radial drainage gutters 152. These gutters extend from the outer wall 110 to the circular channel defined by the inner seating surface 118, the innermost key ring, and the male coupling member 80. Also, the gutters are respectively in alignment with the vents 107. Because the floor surface 108 has the described inverted frusto-conical shape, the drainage gutters are sloped radially downwardly and inwardly toward the drainage holes. The slope angle of the floor surface 108 and thus of the drainage gutters and also the degree of step-down of the ring ledgers is preferably at about five degrees from horizontal.

The outer wall 110 of the EDI 62 (FIG. 1) has an annular inner surface 160 in concentric, spaced, circumscribing relation to the male coupling member 80 and extending axially endwardly from the floor surface 108. This inner surface 160 defines a bore of the EDI, and an annular outer groove 162 in this surface opens into the bore. The upper end portion of the male coupling member 80 above the base wall 106 also has an annular inner groove 164 facing outwardly into the bore in the same horizontal plane as the outer groove. Outer and inner O-rings 166 and 168, respectively, are fitted in these grooves with the outer O-ring being a bore-type O-ring, and the inner O-ring being a piston-type ring.

The inner surface 160 of the outer wall 110 (FIGS. 1 and 7) is also provided with internal threads 172 above the outer

O-ring 166. Radially extending, circumferentially spaced lugs 174 project outwardly from the outer wall to facilitate threading and unthreading of the EDI 62 into and out of the bung hole 38. Furthermore, upper and lower annular latching rims 176 and 177 also project radially outwardly from the outer wall above the lugs with the upper rim being at the upper end of the EDI. These upper and lower rims provide upper and lower frusto-conical latching surfaces 178 and 179, respectively; annular, upper and lower radial latching shoulders 180 and 181, respectively; and upper and lower annular latching groove 182 and 183 therebetween. The latching surfaces are parallel with each other and are preferably at an angle of about forty-five degrees to the horizontal. The EDI is threaded by threads 92 into the bung hole 38 (FIG. 2), and a gasket 186 is provided between the drum 28 and the base wall 106.

Having thus described the extractor drum insert or EDI 62, reference is now made to the extractor head 60 (FIGS. 5 through 9, in particular). The extractor head, or EH as it is abbreviated herein, is also made of a chemically resistant plastic, such as "Teflon" as described above. The EH includes upper and lower parts 190 and 192, respectively (FIGS. 6, 7, and 8), which are made separately and then assembled. The upper part of the EH includes a radial upper-end wall 196, a downwardly projecting outer shroud 198, an upper tubular center fitting 200 extending upwardly above the upper end wall, an upper tubular offset fitting 202 likewise extending upwardly from the upper-end wall, and spaced concentric inner and outer center retainer ridges 203. Internally, the shroud has an upper frusto-conical surface 206; a plurality of upper circumferentially equidistantly spaced, coplanar arcuate detent notches 208, four in the disclosed embodiment, ninety degrees apart; an intermediate cylindrical surface 210; a lower frusto-conical surface 212; and a plurality of lower, circumferentially equidistantly spaced, coplanar arcuate, anti-rotation notches 214 (FIG. 8), four in the disclosed embodiment, ninety degrees apart, and interspersed with the upper detent notches. The upper and lower notches are thus offset from each other by forty-five degrees and are for purposes to be described.

The shroud 198 (FIGS. 6, 7, and 8) also has an outer cylindrical surface 220; four radially projecting gripping ribs 221, one at each quadrant where the upper detent notches are located; a pair of lower pendent inwardly opposed, U-shaped linear tracks 222 (FIG. 6) on diametrically opposite sides of the EH; and lower flat guide plates 224 (FIGS. 5 and 7) interconnecting opposite ends of the tracks on the other two sides of the EH, at the base thereof, and coplanar with the lower flanges of the tracks. Note that the ribs thicken and thus stiffen and strengthen the shroud at the upper notch locations. The shroud also provides a pair of flat, horizontal, upper, outer guiding surfaces 226 in upwardly spaced parallel relation to the lower guide plates 224 and coplanar with the upper flanges of the tracks; an intermediate annular frusto-conical seat 228 adjacent to the upper flanges of the tracks and to the upper guiding surfaces 226, depending on the location circumferentially of the EH; flat horizontal upper inner seating surfaces 229 adjacent to the anti-rotation notches; and a pair of upper guide plates 230 which extend radially outwardly from the outer surface of the shroud in spaced parallel relation to and above but not opposed to the lower guide plates.

The lower part 192 of the EH 60 (FIGS. 7 and 8) includes a cylindrical bottom section 240 in concentric circumscribing relation to an inner tubular female coupling member 242; a lower radially extending base wall 244; a plurality of equidistantly circumferentially spaced (by ninety degrees)

anti-rotation stubs **245** (FIG. **11**) radially outwardly projecting from the bottom section; and a plurality of equidistantly circumferentially spaced (by ninety degrees) cantilever beams or arms **246** offset forty-five degrees from the stubs and projecting upwardly from the bottom section. The arms are spaced at quadrants of the bottom section in the same spaced relationship as the dent notches **208** in the upper part **190**, and the stubs are likewise spaced at quadrants of the bottom section in the same spaced relationship as the anti-rotation notches **208** in the upper part, but offset from, that is interspersed with, the arms. The arms terminate in upper arcuate detents **248** having an arcuate length equal to the arcuate length of the detent notches. The detents have outwardly directed bevels **249** which are tangent to a circle whose diameter is equal to the diameter of the lower edge of the cylindrical surface **210** in the upper part **190**, that is, the mouth of the socket defined by this surface **210**. Moreover, the outer tips of the detents lie along a circle whose diameter is greater than the diameter of this mouth but approximately equal to the inside diameter of the upper part **190** at the detent notches **208**. When the upper and lower parts **190** and **192** of the EH **60** are disassembled as shown in FIG. **7**, the arms extend straight up from the bottom section. However, these arms can be resiliently flexed radially inwardly of the lower part, in a cantilever action, during assembly of the upper and lower parts in a manner to be described.

The lower part **192** of the EH **60** (FIGS. **7** and **8**) also includes a long tubular lower center fitting **256** coaxially extending upwardly from the female coupling member **242**, and a valve seat **258** is provided between the female coupling member and this lower fitting. An inner O-ring **260** circumscribes the upper end of the lower fitting, and an outer O-ring **262** circumscribes the upper end of the bottom section **240** at the base of the arms **246**.

The base wall **244** of the lower part **192** of the EH **60** includes a frusto-conical ceiling surface **270** (FIGS. **7**, **8**, and **17**) that is complementary in shape to the floor surface **108** of the EDI **62**. The other part of the key-coding system **70** of this invention is provided on this ceiling surface and includes an outer continuous circular seating surface **272**; an inner continuous circular seating surface **274** radially inwardly spaced from the outer seating surface; and a plurality of concentric segmented coding rings **276** interspersed with continuous circular key slots **278**, these rings and slots having lower ledges and roots stepped upwardly and outwardly in complementary manner to the key coding rings **120** and key slots **140** in the EDI as above described.

The coding rings **276** (FIGS. **7**, **8**, and **17**) are segmented into a plurality of upper arcuate ring segments or keys **282** in a manner similar to that described above with regard to the EDI. As with the EDI described above, the rings **276** in the illustrated embodiment are not continuous but are segmented as shown in FIGS. **3**, **4**, **17** and **18**. When the EH **60** is matched with the EDI, the number, location and width of the upper and lower keys **282** and **130** and the number, location and width of the upper and lower key slots **278** and **140** will be matched so that the ceiling surface **270** will fit flush against the floor surface **108**, as shown in FIGS. **5** and **6**. Conversely, if the number, location or widths of the keys and key slots are different, the upper and lower keys and slots will not interfit and complete interfitting or interengagement of the EH into the EDI will be precluded, as shown in FIG. **20D**, for example, as will be more fully explained hereinafter. Furthermore, the base wall provides a plurality of vents **285** (FIGS. **6**, **7**, and **20A**), three in the disclosed embodiment, circumferentially spaced around and extending through the inner seating surface **274**.

As previously mentioned, this EDI **62** and EH **60** are molded parts. It is to be recognized (FIG. **7**) that the top or inside surface of the base wall **244** and the undersurface of the base wall **106** are mold-core constant shape, whereas the floor and ceiling surfaces **108** and **270** are mold-core variable shape. By changing the mold, therefore, and thus the shapes or configurations of these surfaces **108** and **270**, the coding is changed.

Prior to explaining the assembly of the upper and lower parts **190** and **192** of the EH **60**, reference is made to a description of the upper and lower, that is dual, latches **64** and **66** which are a part of the subject quick-release fluid coupling **25**. With reference to FIGS. **10** and **10A**, the upper latch is described, it being noted that the upper and lower latches are of identical construction and are preferably molded in the same mold out of a suitable plastic. Because the latch requires a greater measure of resilience than the remainder of the coupling and since the latches do not come in contact with the chemicals being carried by the coupling, the latches are preferably molded from acetals or polyolefin type of thermoplastic resin that has the degree of resilient flexibility required, as will be understood. Thus, by reference to FIGS. **10** and **12A**, the upper latch, and thus each of the latches, has an elongated planar, generally circular body **290**. The body has a top surface **292**, a bottom surface **294**, a convex actuating end **296**, a convex latch end **298**, and straight opposite sides **300**. The body also has a thickness B_T , a length B_L , and a width B_W .

Each latch **64**, **66** (FIGS. **10**, **10A**) has a generally circular central opening **310** which is defined by an arcuate clearance segment **312** of approximately two hundred forty degrees and an arcuate latching segment **314** of approximately one hundred twenty degrees, but these may be made equal at one hundred and eighty degrees. The latches are identical, but because of their reverse orientation in assembled condition (FIGS. **5** and **14A**, **B**), they are separately described to provide the correct descriptive references. Thus, the latching segment **314** of the upper latch includes an upper radial latching surface **315**, and upper and lower bevels **316** and **318** joined by a vertical intermediate abutting surface **320**. The latching segment **314** of the lower latch includes a lower radial latching surface **315**, and upper and lower bevels **316** and **318** joined by a vertical intermediate abutting surface **320**. Each of the upper and lower bevels **316** and **318** of each latching segment is at an angle of twenty-five degrees off vertical, that is, off the abutting surface **320**.

Each latch **64**, **66** (FIGS. **10**, **10A**) has a arcuate biasing arm **330** having a hinge end **332** resiliently flexibly integrally connected to one side **300** of the body **290** and a free end **334**. The biasing arm is integrally molded with the body so that in its unstressed or relaxed position, it extends angularly outwardly from the latch end **298** of the body, as shown in FIG. **10**. The connection between the biasing arm and the body, however, is resiliently flexible to allow the biasing arm to be forced inwardly against the latch end **298**, as shown in FIG. **10A**. As will be described below, the outwardly extended position (FIG. **10**) of the biasing arm is its coupling or latching position, whereas the inward position (FIG. **10A**) of the biasing arm is its uncoupled or unlatched position. Alternatively, each latch may use two biasing arms, not shown, each hinged at opposite sides of the body so as to move back and forth like French doors, with each pair of such dual arms having unstressed position extending outwardly in convergent relation and inward resiliently flexed positions against their end of the body **290**. In the illustrated embodiment, each latch **64**, **66** (FIGS. **10**, **10A**) includes an arcuate push-button actuator **340** which is

integrally molded with the body so that it is connected to the actuating end 296 and has an upper and lower flange 342 and 344. Also, each latch has a coupled length L_C and an uncoupled length L_{UC} .

As previously stated, the upper and lower latches 64 and 66 are identical, but as shown in FIGS. 10 and 10A, they are assembled in overlaid inverse relation to each other. That is, the bodies 290 of the latches are stacked one on top of the other with the actuators 340 at opposite ends of the latch assembly and with the biasing arm 330 of one latch bearing against the adjacent flange 342 or 344 of the actuator of the other latch. As shown in FIG. 5, although each latch body is offset from the center of its actuator, the center of each actuator lies at the center of the stacked latches, or more precisely, lies in a horizontal plane passing between the two latch bodies, as that the actuators are symmetrical with the stacked latches, thereby resulting in a balance operation of the assembly as will be seen.

In their stacked overlaid assembly, the openings 310 of the latches 64, 66 are in alignment, although not congruent, in the latched positions (FIGS. 5 and 12). That is, the latches are slidable longitudinally of and against each other, so that normally the biasing arms 330 press outwardly on the actuators 340 to force the actuators outwardly, wherein the openings 310 are still aligned but not congruent. In such latching positions, the latching segment 314 of the upper latch 64 projects inwardly over the clearance segment 312 of the lower latch (FIG. 11), and the latching segment 314 of the lower latch projects inwardly under the clearance segment of the upper latch. On the other hand, when the actuators are manually pressed inwardly toward each other so as to bring the biasing arms 330 against the bodies 290 of the latches (FIGS. 11B, C), the openings are moved into congruent relationship or nearly so.

Having thus described the upper and lower parts 190 and 192 of the EH 60 and the latches 64 and 66, the complete assembly of these elements is now described. It will be understood that the assembly being described at this point is part of the manufacture of the coupling and is not an assembly that occurs during use of the coupling 25. With reference to FIGS. 7 and 8, the lower latch 66 is first slid into the tracks 222 and on their lower flanges and the lower guide plates 224 from one side of the coupling. Thereafter, the upper latch 64 is slid in on top of the lower latch from the opposite side of the coupling 25. In this regard, it will be understood that the latches are inserted, one on each side, from the sides of the shroud 198 where the guide plates 224 are located and through openings which exist above the guide plates, as best seen in FIG. 7. With the latches assembled to the upper part 190, the lower part 192 is fitted into the upper part. As the lower part moves into the upper part, as may be visualized in FIG. 7, the bevels 249 on the detents 248 of the cantilever arms 246 initially engage the cylindrical surface 210, and as the parts move still closer together, the cylindrical surface 210 causes the arms to flex inwardly. As the connecting movement continues, the detents 248 eventually snap into the upper notches 208, and the anti-rotation stubs 245 enter the lower notches 214. If the lower part is not exactly aligned with the upper part, the two parts must be rotated until the detents and stubs align with their notches.

As the arms 246 (FIGS. 5 and 9) are snapping into their notches 208 and the stubs are entering their notches 214, the lower center fitting 256 seats between the upper retainer ridges 203, communicating with the center fitting 200, and forming a central axial fluid passageway 348 through the EH 60. In this interfitted relationship, the upper and lower parts

190 and 192 also form a housing 350 enclosing a chamber 352 which is in communication with the offset fitting 202 (FIG. 6) and the vents 285; the inner O-ring 260 seals between the upper and lower fittings; and the outer O-ring 262 seals between the shroud 198 and the bottom section 240, so that there is a fluid-tight separation between the chamber 352 and the passageway 348. It will be understood that in this assembly of the upper and lower parts following insertion of the latches 64 and 66, the latches are captured in their described and illustrated positions of assembly. For this very reason, it will also be understood that the latches must be pre-assembled as described since it would not be possible to insert the latches after the upper and lower parts have been thusly assembled. It will also be understood that the interfitting of the cantilever arms and upper notches secures this assembly.

In FIGS. 5 through 7 and 9, the poppet valve 68 is shown to include a valve head 360 engageable with the valve seat 258, a valve stem 362 extending upwardly from the valve head, a spring 364 between the valve head and the inner ridge 203. A noteworthy feature is that the length of the inner ridge sets the compression on the spring. An O-ring 366 encircles the valve head for engagement with the valve seat when the valve is closed (FIGS. 14C and D).

As referred to above, multiple key combinations are provided by the key-coding system 70 of the subject invention. In the disclosed embodiment, these combinations are achieved by varying the number of key coding rings 120 and 276 and slots 140 and 278, their heights, and their depths (or the thickness of the base walls 106 and 244), as shown in FIGS. 7, 19A-F and 20A-F. Other and different combinations can be achieved by varying the key widths 142, key wall angles, key ring diameters, and combinations of these. The important point here is that these variations are either axially or radially related to the axis of the fluid passageways 82, 348, rather than circumferentially of such axis.

It should be noted that one of the codes in the key-coding system 70 of the present invention is a code in which the configurations of the floor surface 108 and the ceiling 270 are smooth and without keys or key slots, as shown in FIG. 19F. Under such an absence of keys and key slots on both the EH 60 and the EDI 62, the ceiling surface fits flush against the floor surface thereby resulting in a match and a coupling of the EH and the EDI. On the other hand if, for example, the ceiling surface has no keys or key slots and the floor surface does (FIG. 20B, for example), then the EH does not fit entirely into the EDI and no coupling is achieved. The absence of keys and key slots is fully compatible with the subject key-coding system which allows for complete coupling of the EH and the EDI without any relative rotation of these parts either prior to or during the coupling movement and irrespective of the relative rotational positions of the EH and EDI prior to coupling.

As examples of coding of a plurality of different extractor heads (EHs) 60 with a plurality of different extractor drum inserts (EDIs) 62 in various drums 28, the following table is provided. From left to right, column 1 sets forth the chemical key-code number which designates matching EH to EDI combinations. This number together with any other part numbers desired is molded in on matching EHs and EDIs. Column 2 gives an indication of the type of chemicals in the various drums, sixteen in the table example. Columns 3 and 4 give the number of key-coding rings 120 (and therefore key slots 140) on the EDI 62 and the number of key-coding rings 276 (and therefore key slots 278) on the EH 60, respectively, or the absence of such rings and slots (in the first row). Column 5 indicates the Fig. No. of the drawings

herein which show the matches where five coding rings are used, it being noted that only a five key ring plan is shown in the drawings. Thus, rows one through six provide Fig. Nos., but rows seven through fifteen do not since these other coding plans involve different maximum numbers of key rings **120** and **276** with different key widths from that in the illustrated five key ring plan.

For example, in the five key code ring plan shown, and referring to the table, with chemical key code number 0, as illustrated in FIG. 19F, the EDI has no coding rings or slots and thus the matching EH **60** has no coding rings **276** or slots **278**. In this case, the number "0" is molded in on both the EH and EDI as the operator can tell if it is a matched pair. Chemical key-code numbers 1 through 5 have from one coding ring **120** and **276** up to five such coding rings in a five key code plan, with the corresponding matches illustrated in FIGS. 19E, 19D, 19C, 19B, and 19A, respectively, and numbers from "1" to "5" are molded in on the EHs and EDIs. It will be understood that each of the key rings in such a five key code has the same key and slot widths, but the wall **106/244** thicknesses differ where keys and slots are omitted. As examples of mismatches, a number 0 EDI will not match with a number 1 EH (FIG. 20A), nor will a number 1 EDI match a number 0 EH (FIG. 20B).

Although not illustrated in the drawings, with chemical key-code numbers seven through ten in the table, four coding rings **120**, **276** are provided, with the keys and slots **130**, **140**, **282**, **272** having a greater width than in the illustrated five key ring plan, since fewer rings are provided. Still further, chemical key-code numbers eleven through thirteen, in this table example, have three coding rings and slots which involve still greater key and slot widths than above. From the foregoing, chemical key-code numbers fourteen, fifteen, and sixteen in the table are believed to be understood.

A very significant feature of the coding system provided by the present invention, however, is that an addition to the molded-in code numbers, all an operator need do, to determine if a match or a mismatch exists, is merely to look at the ends of the EH and EDI to see if they have the same, or different numbers of rings, or none at all.

Although the key-coding examples in the table below provide sixteen different combinations, it will be understood that many other combinations can be provided by varying the configurations of the floor and ceiling surfaces **108** and **270** as by varying key and slot widths, wall angles, and heights and various combinations of these.

CODING EXAMPLES
KEY CODING SYSTEM

1 CHEMICAL KEYCODE NUMBER	2 TYPE OF CHEMICAL	3 EDI 62	4 EH 60	5 FIG. No.
0	A	0	0	19F
1	B	1	1	19E
2	C	2	2	19D
3	D	3	3	19C
4	E	4	4	19B
5	F	5	5	19A
6	G	1	1	not shown
7	H	2	2	not shown
8	I	3	3	not shown
9	J	4	4	not shown
10	K	1	1	not shown

-continued

CODING EXAMPLES
KEY CODING SYSTEM

1 CHEMICAL KEYCODE NUMBER	2 TYPE OF CHEMICAL	3 EDI 62	4 EH 60	5 FIG. No.
11	L	2	2	not shown
12	M	3	3	not shown
13	N	1	1	not shown
14	O	2	2	not shown
15	P	1	1	not shown

OPERATION

With reference to FIGS. 13A-C, the quick-connect fluid coupling **25** is used in the chemical extraction apparatus **30** by connecting delivery hoses, not shown, to the center fitting **200** and the offset fitting **202** (FIG. 6), respectively, of the EH **60**. In a semiconductor manufacturing plant, there are a plurality of EHs connected in such a manner to their respective delivery hoses where the EHs and their associated lines are suspended above a plurality of the fifty-five-gallon drums **28**. Each drum is provided with an EDI although it is not in FIG. 13A which is initially welded to the down tube **44** for the drum and then threaded by its external threads **92** into the threaded bung hole **38** with the gasket **186** between the insert and the drum.

When it is desired to connect a set of delivery hoses, not shown, to a particular drum **28**, the EH **60** connected to these hoses is manually grasped, conveniently by the ribs **221**, and brought down to a position immediately above the EDI **62** in the particular drum. At this time, the condition of the EH and EDI can be visualized by reference to FIG. 13A, it being understood that the EH is still spaced above the EDI although it is not in FIG. 13A. The latches **64**, **66** are in their inner latching or coupling positions wherein the latching segments **314** (FIG. 15, project inwardly of their respective adjacent upper guiding surface **226** and lower guide plate **224**). The described position of the latches is shown in FIG. 7, although this Fig. does not show the described positions of the EH and EDI. Also, the poppet valve **68** is closed, that is, the valve head **360** is seated in the valve seat **228**. Assuming the EH and the EDI are in vertical alignment, and the operator thinks a match exists, or neglects to check as above described, the EH is moved axially toward an interfitted relationship with the EDI without any necessity of rotating the EH. It will, of course, be recalled that it is very undesirable to rotate or swivel the EH and its connected delivery hoses since such swiveling places undue strain on the hoses as well as causing entanglement of the lines. A big advantage of the subject key-coding system is that it is not dependent on any rotation of the EH to achieve a match or to determine if a match is possible.

Thus, with reference to FIG. 13A, and recognizing that the EDI **62** is stationary, the EH **60** is moved axially down to fit the bottom section **240** of its lower part **292** into the bore of the outer wall **110** of the EDI **62** and to fit the female coupling member **242** of the EH over the male coupling member **80** of the EDI. As this interfitted relationship occurs, several points of engagement are to be noted. First, the bottom section **240** merely slides axially straight down into the outer wall **110** since the internal threads **172** are for the bung **380** and do not affect the interconnection of the EH and EDI. Secondly, if the upper keys **282** and key slots **278** match the

lower keys **130** and key slots **140**, then the upper keys will eventually fit in their respective lower slots, the upper outer seating ring **272** will eventually rest on the lower outer seating ring **116**, the upper inner seating ring **274** will eventually rest on the lower inner seating ring **118**, and the upper annular gap **280** will communicate with the lower channel **150**. If there is a match, these relationships will eventually occur, and the EH will be allowed to move into coupled connection with the EDI. First, however, other points of engagement occur which should be noted.

As the EH **60** moves down into EDI **62** (FIG. **13A**), the lower guide plates **224** and the lower flanges of the tracks **222** move opposite to and outside of the upper rim **176** of the EDI. Continued downward movement causes the edge at the lower beveled surface **318** (FIG. **15**) of the latching segment **314** of the lower latch **66** to engage approximately the midpoint of the upper latching surface **178** of the upper rim **176**. This engagement pushes the lower latch outwardly against the resiliently yielding biasing arm **330** of the lower latch, allowing the lower latch to slide downwardly past the upper rim and allowing such biasing arm to force the latching segment of the lower latch to enter the upper latching groove **182** under the upper latching shoulder **180**, as shown at the left in FIG. **13B**.

At the same time as the lower latch **66** enters the upper latching groove **182**, the latching segment **314** of the upper latch **64** makes initial contact with the upper rim **176**, between the lower edge of the lower beveled surface **318** of the upper latching segment and the upper latching surface **178** of the upper rim (FIG. **13B**), similar to what is shown for the lower latch in FIG. **15**. Also, at this time, the lower latch makes initial contact with the lower rim **177**, also seen in FIG. **13B**.

Continued downward movement of the EH **60** (FIG. **13C**) causes the upper and lower latching rims **176** and **177** to push the upper and lower latches respectively outwardly so that these latches can be returned inwardly by their biasing arms **330** to have their latching segments **314** enter the upper and lower latching grooves **182** and **183**, respectively. Such action causes the EH to seat fully in the EDI with the annular seat **228** resting on the upper latching rim, as shown in FIG. **13C**, but also see FIG. **16** for an enlarged view of the upper latch.

Thus, when the upper rim **176** is fully seated (FIG. **13C**), the latching segments **314** of the upper and lower latches **64** and **66** move under the upper and lower rims **176** and **177** respectively into their coupled or latching positions thereby coupling the EH **60** to the EDI **62**. When in such coupled position, all of the O-rings are effective to provide fluid-tight seals, and the spider **84** opens the poppet valve **360**. It is important to note that in the coupled condition, the dual latching segments of the dual latches on the EH firmly engage the EDI about substantially its entire circumference. By increasing the arcuate lengths of the latching segments to one hundred eighty degrees each, as above noted, the latches will engage the entire circumference.

If the key coding on the EH **60** does not match the key coding on the EDI **62**, it will be impossible to fit the seat **228** down onto the upper latching rim **176** and thus it will be impossible to complete the coupling of the EH and the EDI. Since the upper and lower key codes do not match, the ceiling surfaces **270** will be held above the floor surface **108** a vertical distance which precludes the seating of the upper rim and the movement of the latches into the latching grooves **182** and **183**. The lower latching segment **314** of the lower latch **66** will have moved below the upper rim **176**, but

the lower latch will not be allowed to move under the lower rim **177** nor will the upper latch be allowed to move past and under the upper latching rim **177**. Full coupling cannot be achieved, a condition that will be immediately recognized by the operator. When full coupling is not achieved, however, if for no other reason, the actuators **340** will remain partly depressed (as shown in each of the mismatching FIGS. **20A** through **20F**) and will not return to their outermost position.

When full coupling is achieved, however, as shown in FIGS. **20A** through **20F**, fluid communication is established from the down tube **44** through the fluid passageway **82**, through the part in the valve seat **258**, through the passageway **348** of the female coupling member **242** into the chemical delivery hose, not shown. Similarly, air supply is achieved from the air hose, not shown, through the offset fitting **202**, the chamber **352**, the vents **107** and **285**, and into the drum **28**.

When it is desired to uncouple the EH **60** from the EDI **62** (FIGS. **14A**–**14D**), the operator grasps the EH with both hands and simultaneously presses inwardly on the push-button actuators **340** thereby moving the latching segments **314** from the position of FIG. **14A** to the position of FIG. **14B**. While pressing in on the actuators, the operator lifts up on the EH which is now free to move upwardly from and off of the EDI, as shown in FIG. **14C**. Such upward movement moves the valve head **360** up from the spider **34** closing the valve and shutting off the delivery of chemical through the central passageways **82**, **348**. Any chemical which falls onto the floor surface **108** will drain along the drainage gutters **152** into the inner lower channel **150** from where it drains through the vents **107** back into the drum **28**. Finally, the operator releases the actuators and allows the biasing arms **330** to return the latches **64**, **66** to their latching positions (FIG. **14D**).

Although preferred embodiments of the present invention have been shown and described, various modifications, substitutions and equivalents may be used therein without departing from the spirit and scope of the invention. Accordingly, it is to be understood that the present invention has been described by way of illustration and not limitation.

What is claimed is:

1. A quick-connect coupling for enabling interconnection of only matching fluid delivery and supply lines while preventing the inadvertent interconnection of mismatched lines notwithstanding the presence of a plurality of delivery and supply lines some of which are matched and some of which are mismatched, comprising:

first and second coupling members having fluid passageways and being releasably axially movable into inter-fitted relationship with said passageways in fluid communication,

said coupling members having means connecting one of the coupling members to a supply line and the other coupling member to a delivery line,

key coding means on the coupling members which are axially movable into matched interengagement when the supply and delivery lines connected to the coupling members are matched but which are precluded from moving into such a matched interengagement when said lines are mismatched, said coding means being axially movable into said matched interengagement without relative rotation of the coupling members and irrespective of the relative rotational positions of the coupling members prior to such interengagement and without relative axial movement between one of the coupling members and its key coding means, and

[latch] *connecting* means movable between a retaining position when the key coding means are in matched engagement for releasably maintaining the coupling members in an interconnected relationship and a releasing position permitting separation of the coupling members.

2. The coupling of claim 1, wherein said [latch] *connecting* means is precluded from moving into retaining position if the coupling members are not in matched engagement.

3. The coupling of claim 1, wherein the key coding means includes opposed end walls on the coupling members extending transversely of the passageway, and wherein said walls have configurations selected from the group of configurations consisting of one endwardly extending arcuate element lying along a path circumscribing said passageway, a plurality of endwardly extending radially spaced arcuate elements lying along paths circumscribing said passageway, and no such elements.

4. The coupling of claim 3, wherein one of said coupling members has drainage vents therein extending lengthwise of and outside of the passageway, and wherein the element or elements on said one of the coupling members is segmented to provide drainage gutters extending radially relative to the passageway and aligned with said vents.

5. The coupling of claim 1, wherein the key coding means includes opposed end walls on the coupling members extending transversely of the passageway, wherein the key coding means includes a plurality of arcuate segments and slots extending endwardly of each end wall toward the other end wall, and wherein if the segments and slots interfit with each other the couplings are matched and if the segments on one wall contact the other wall and are prevented from interfitting, the couplings are mismatched.

6. The coupling of claim 1, wherein the coding means are radially spaced, axially extending ring segments on the coupling members that interfit with each other when the number and spacing of the ring segments on the coupling members are the same and conflict with each other when the number or spacing of the ring segments on the coupling members are different.

7. The coupling of claim 6, wherein the ring segments are circumferentially spaced and arranged in a plurality of groups of radially spaced ring segments, wherein the ring segments having endwardly disposed faces that are axially spaced from a common plane extending perpendicularly of the passageway; and wherein said spacing of the faces is graduated radially outwardly from the passageway.

8. The coupling of claim 1, wherein the coupling members are relatively axially movable between an uncoupled position completely separated from each other and a coupled position in full interengagement with each other, wherein the [latch] *connecting* means is operable to move into retaining position only when the coupling members are in full interengagement,

wherein the key coding means has coding elements on the coupling members that contact each other if the coupling members are mismatched and prevent the coupling members from moving into full interengagement, and

wherein the key coding means has coding elements on the coupling members that interfit with each other if the coupling members are matched and allow the coupling members to move into full interengagement.

9. A quick-connect coupling for enabling interconnection of only matching fluid delivery and supply lines while preventing the inadvertent interconnection of mismatched lines notwithstanding the presence of a plurality of delivery and supply lines some of which are matched and some of which are mismatched, comprising:

male and female coupling members having fluid passageways and being interconnected in sealed interconnected relationship with said passageways in fluid communication but being releasably axially slidably separable from each other,

one of the coupling members being connectable to a supply line and the other coupling member being connectable to a delivery line,

a coding *elements or* elements on the coupling members which are *axially* movable into matched interengagement when the supply and delivery lines connected to the coupling members are matched but which are precluded from moving into such a matched interengagement when said lines are mismatched, said coding elements being axially movable into said matched interengagement without relative rotation of the coupling members and irrespective of the relative rotational positions of the coupling members prior to such interengagement *and without relative axial movement between one of the coupling members and its coding element or elements*, and

a latching mechanism having a retaining position when the coding elements are in matched engagement in which the coupling members are maintained in an interconnected relationship and a releasing position in which the coupling members are permitted to separate.

10. The coupling of claim 9,

wherein the latch mechanism is precluded from moving into retaining position if the coupling members do not match.

11. The coupling of claim 10,

wherein the coding elements include opposed end walls on the coupling members extending transversely of the passageway, and

wherein said end walls have coded configurations that are complementary and interfit when the coupling members are matched.

12. A quick-connect coupling for enabling interconnection of only matching fluid delivery and supply lines while preventing the inadvertent interconnection of mismatched lines notwithstanding the presence of a plurality of delivery and supply lines some of which are matched and some of which are mismatched, comprising:

first and second coupling members having fluid passageways and being releasably axially movable into interfitted relationships with said passageways in fluid communication,

one of the coupling members being connectable to a supply line and the other coupling member being connectable to a delivery line;

key coding elements being movable into matched interengagement when the supply and delivery lines connected to the coupling members are matched but being precluded from moving into such a matched interengagement when said lines are mismatched, *there being no relative movement between one of the key coding elements and one of the coupling members during movement of the coupling members into matched interengagement*, and

a non-threading latch operable irrespective of the relative rotational positions of the coupling members and latching the coupling members together when the key coding members are in matched interengagement.

13. A quick-connect coupling for enabling interconnection of only matching fluid delivery and supply lines while preventing the inadvertent interconnection of mismatched lines notwithstanding the presence of a plurality of delivery and supply lines some of which are matched and some of which are mismatched, comprising:

first and second coupling members having fluid passageways and being releasably axially movable into inter-fitted relationships with said passageways in fluid communication,

one of the coupling members being connectable to a supply line and the other coupling member being connectable to a delivery line;

key coding elements being movable into matched interengagement when the supply and delivery lines connected to the coupling members are matched but being precluded from moving into such a matched interengagement when said lines are mismatched, *there being no relative movement between one of the key coding elements and one of the coupling members during movement of the coupling members into matched interengagement*; and

a latch operable irrespective of the relative rotational positions of the coupling members, movable radially of the coupling members, and latching the coupling members together when the key coding elements are in matched interengagement.

14. The coupling of claim **13** wherein there are latches movable radially of the coupling members irrespective of the relative rotational positions of the coupling members and latching the coupling members together when the key coding members are in matched interengagement.

15. A quick-connect coupling for enabling interconnection of only matching fluid delivery and supply lines while preventing the inadvertent interconnection of mismatched lines notwithstanding the presence of a plurality of delivery and supply lines some of which are matched and some of which are mismatched, comprising:

first and second coupling members having fluid passageways and being releasably axially movable into inter-fitted relationship with said passageways in fluid communication,

one of the coupling members being connectable to a supply line and the other coupling member being connectable to a delivery line;

key coding elements on the coupling members which are movable into matched interengagement when the supply and delivery lines connected to the coupling members are matched but which are precluded from moving into such a matched interengagement when said lines are mismatched, said coding elements being axially movable into said matched interengagement without relative rotation of the coupling members and irrespec-

tive of the relative rotational positions of the coupling members prior to such interengagement *and without relative axial movement between one of the coupling members and its coding element or elements*; and

a latch movable between a retaining position when the key coding elements are in matched engagement and releasably maintaining the coupling members in an interconnected relationship and a releasing position permitting separation of the coupling members.

16. The coupling of claim **15**,

wherein said latch is precluded from moving into retaining position if the coupling members are not in matched engagement.

17. The coupling of claim **15**,

wherein the key coding elements include opposed end walls on the coupling members extending transversely of the passageway; and

wherein said walls have configurations [selected from the group of configurations consisting of] *including* one endwardly extending arcuate element lying along a path circumscribing said passageway, a plurality of endwardly extending arcuate elements lying along paths circumscribing said passageway, and no such elements.

18. The coupling of claim **15**,

wherein the key coding elements include opposed end walls on the coupling members extending transversely of the passageway;

wherein the key coding elements include a plurality of arcuate elements and arcuate slots extending endwardly of each end wall toward the other end wall; and

wherein if the arcuate elements and slots interfit with each other the couplings are matched and if the arcuate elements on one wall contact the other wall and are prevented from interfitting, the couplings are mismatched.

19. The coupling of claim **15**,

wherein the coding elements are radially spaced, axially extending ring segments on the coupling members that interfit with each other when the number and spacing of the ring segments on the coupling members are the same and conflict with each other when the number or spacing of the ring segments on the coupling members are different.

20. The coupling of claim **19**,

wherein the ring segments are circumferentially spaced and are arranged in a plurality of groups of radially spaced ring segments;

wherein the ring segments have endwardly disposed faces that are axially spaced from a common plane extending perpendicularly of the passageway; and

wherein said spacing of the faces is graduated radially outwardly from the passageway.

21. The coupling of claim **15**,

wherein the coupling members are relatively axially movable between an uncoupled position completely separated from each other and a coupled position in full interengagement with each other;

wherein the latch is operable to move into retaining position only when the coupling members are in full interengagement;

wherein the key coding elements include coding elements on the coupling members that contact each other if the coupling members are mismatched and prevent the coupling members from moving into full interengagement; and

wherein the key coding elements include coding elements on the coupling members that interfit with each other if the coupling members are matched and allow the coupling members to move into full interengagement.

22. A coupling for enabling interconnection of only matching fluid delivery and supply lines while preventing the inadvertent interconnection of mismatched lines notwithstanding the presence of plurality of delivery and supply lines some of which are matched and some of which are mismatched, comprising:

male and female coupling members having fluid passageways and being interconnected in sealed relationship with said passageways in fluid communication but being releasably axially slidably separable from each other,

one of the coupling member being connectable to a supply line and the other coupling member being connectable to a delivery line,

each coupling member terminating in an end face that extends transversely of said passageways,

a coding element on each coupling member extending axially of said passageways with the coding element on at least one of the coupling members extending axially endwardly of the end face of its coupling member,

the coding elements being movable into matched interengagement when the supply and delivery lines connected to the coupling members are matched but being precluded from moving into such a matched interengagement when said lines are mismatched, said coding elements of the coupling members being axially, movable into said matched interengagement without relative rotation of the coupling members and irrespective of the relative rotational positions of the coupling members prior to such interengagement, and

a non-threading latching mechanism having a retaining position when the coding elements are in matched engagement in which the coupling members are maintained in an interconnected relationship and a releasing position in which the coupling members are permitted to separate.

23. A coupling for enabling interconnection of only matching fluid delivery and supply lines while preventing the inadvertent interconnection of mismatched lines notwithstanding the presence of a plurality of delivery and supply lines some of which are matched and some of which are mismatched, comprising:

male and female coupling members having fluid passageways and being interconnected in sealed relationship with said passageways in fluid communication but being releasably axially separable from each other,

one of the coupling members being connectable to a supply line and the other coupling member being connectable to a delivery line,

one or more coding elements on each coupling member, the coding elements of the coupling members being movable into matched interengagement when the supply and delivery lines connected to the coupling members are matched but being precluded from moving into such a matched interengagement when said lines are mismatched, said coding elements of the coupling members being axially movable into said matched interengagement without relative rotation of the coupling members and irrespective of the relative rotational positions of the coupling members prior to such interengagement, one of the coupling members and its one or more coding elements being axially and rotat-

ably immovable relative to each other during said axial movement of the coupling members, and

a latching mechanism having a retaining position when the coding elements are in matched engagement in which the coupling members are maintained in an interconnected relationship and a releasing position in which the coupling members are permitted to separate.

24. The coupling of claim 23, wherein the coding element or elements on at least one of the couplings is integral with its or their coupling member.

25. The coupling of claim 23, wherein each coupling member has an end, and wherein the coding element or elements on at least one of the couplings is formed in the end of its or their coupling member.

26. The coupling of claim 23, wherein the coupling members have opposed end walls on which the coding elements are located.

27. The coupling of claim 26, wherein the coding element or elements on at least one of the coupling members is or are integrally formed on its or their coupling member.

28. The coupling of claim 9, wherein the coding elements are arcuate and radially spaced from each other.

29. The coupling of claim 9, wherein the latch is non-threading.

30. The coupling of claim 29, wherein the latch includes a first latching element on one of the coupling members and movable radially of the passageways between latching and unlatching positions, and

wherein the latch also includes a second latching element on the other coupling member disposed circumferentially of the passageway and releasably receiving the first latching element in its latching position when the coupling members are in said interconnected relationship.

31. The coupling of claim 30, wherein the latch includes a biasing member yieldably urging the first latching element into latching position.

32. A quick-connect coupling for enabling interconnection of only matching fluid delivery and supply lines while preventing the inadvertent interconnection of mismatched lines notwithstanding the presence of a plurality of delivery and supply lines some of which are matched and some of which are mismatched, comprising:

male and female coupling members having fluid passageways and being interconnected in sealed interconnected relationship with said passageways in fluid communication but being releasably axially slidably separable from each other,

one of the coupling members being connectable to a supply line and the other coupling member being connectable to a delivery line,

coding elements on the coupling members which are movable into matched interengagement when the supply and delivery lines connected to the coupling members are matched but which are precluded from moving into such a matched interengagement when said lines are mismatched, said coding elements being axially movable into said matched interengagement without relative rotation of the coupling members and irrespective of the relative rotational positions of the coupling members prior to such interengagement, and

a coupling mechanism having a retaining position when the coding elements are in matched engagement in which the coupling members are maintained in an interconnected relationship and a releasing position in which the coupling members are permitted to separate, 5
the coupling mechanism having latching and unlatched positions and including a biasing member yieldably biasing the mechanism into one of said positions without applying biasing force against the coding elements on one of the coupling members. 10

33. A quick-connect coupling for enabling interconnection of only matching fluid delivery and supply lines while preventing the inadvertent interconnection of mismatched lines notwithstanding the presence of a plurality of delivery and supply lines some of which are matched and some of which are mismatched, comprising: 15

male and female coupling members having fluid passageways and being interconnected in sealed interconnected relationship with said passageways in fluid communication but being releasably axially slidably separable from each other, 20

one of the coupling members being connectable to a supply line and the other coupling member being connectable to a delivery line, 25

coding elements on the coupling members which are movable into matched interengagement when the supply and delivery lines connected to the coupling members are matched but which are precluded from moving into such a matched interengagement when said lines are mismatched, said coding elements being axially movable into said matched interengagement without relative rotation of the coupling members and irrespective of the relative rotational positions of the coupling members prior to such interengagement and without relative axial movement between one of the coupling members and its coding element or elements, and 30

a connecting mechanism having a retaining position when the coding elements are in matched engagement in which the coupling members are maintained in an interconnected relationship and a releasing position in which the coupling members are permitted to separate. 40

34. A coupling for enabling interconnection of only matching fluid delivery and supply lines while preventing the inadvertent interconnection of mismatched lines notwithstanding the presence of a plurality of delivery and supply lines some of which are matched and some of which are mismatched, comprising: 45

male and female coupling members having fluid passageways and being interconnected in sealed relationship with said passageways in fluid communication but being releasably axially separable from each other, 50

one of the coupling members being connectable to a supply line and the other coupling member being connectable to a delivery line, 55

one or more coding elements on each coupling member that is or are movable into matched interengagement

when the supply and delivery lines connected to the coupling members are matched but is or are precluded from moving into such a matched interengagement when said lines are mismatched, said coding elements of the coupling members being axially movable into said matched interengagement without relative rotation of the coupling members and irrespective of the relative rotational positions of the coupling members prior to such interengagement, the coding element or elements on one of the coupling members being non-rotatable relative to its or their coupling member during said axial movement of the coupling members into matched interengagement, and

a latching mechanism having a retaining position when the coding elements are in matched engagement in which the coupling members are maintained in an interconnected relationship and a releasing position in which the coupling members are permitted to separate.

35. A quick-connect coupling for enabling interconnection of only matching fluid delivery and supply lines while preventing the inadvertent interconnection of mismatched lines notwithstanding the presence of a plurality of delivery and supply lines some of which are matched and some of which are mismatched comprising: 25

male and female coupling members having fluid passageways and being interconnected in sealed interconnected relationship with said passageways in fluid communication but being releasably axially slidably separable from each other, 30

one of the coupling members being connectable to a supply line and the other coupling member being connectable to a delivery line, 35

a coding element or elements on the coupling members which are axially movable into matched interengagement when the supply and delivery lines connected to the coupling members are matched but which are precluded from moving into such a matched interengagement when said lines are mismatched, said coding elements being axially movable into said matched interengagement without relative rotation of the coupling members and irrespective of the relative rotational positions of the coupling members prior to such interengagement and without relative axial movement between one of the coupling members and its coding element or elements, and 40

a mechanism having a retaining position when the coding elements are in matched engagement in which the coupling members are maintained in an interconnected relationship and a releasing position in which the coupling members are permitted to separate. 45

36. The coupling of claim 35,

wherein the coding elements include an arcuate projection on one of the coupling members and an arcuate slot on the other coupling member.