



US00RE38190E

(19) **United States**
(12) **Reissued Patent**
Jain et al.

(10) **Patent Number: US RE38,190 E**
(45) **Date of Reissued Patent: Jul. 22, 2003**

(54) **REMOTELY ADJUSTABLE, ANTI-GLARE VEHICLE MIRROR SYSTEM**

4,488,777 A * 12/1984 Bauer et al. 359/604
4,678,295 A * 7/1987 Fisher 359/874
4,828,361 A * 5/1989 Alten et al. 359/604
4,838,650 A * 6/1989 Stewart et al. 359/604

(75) Inventors: **Kanti Jain**, Briarcliff Manor, NY (US);
Marc Zemel, W. Barrison, NY (US);
Nestor O. Farmiga, Rochester, NJ (US);
Carl C. Kling, Cos Cob, CT (US)

* cited by examiner

Primary Examiner—Mark A. Robinson
(74) *Attorney, Agent, or Firm*—Carl C. Kling

(73) Assignee: **Anvik Corporation**, Hawthorne, NY (US)

(57) **ABSTRACT**

(21) Appl. No.: **09/867,620**

(22) Filed: **May 30, 2001**

Related U.S. Patent Documents

Reissue of:

(64) Patent No.: **5,969,870**
Issued: **Oct. 19, 1999**
Appl. No.: **08/932,687**
Filed: **Sep. 18, 1997**

This single-actuator-and-cam, remotely adjustable, exterior vehicle rear-view mirror provides the driver with glare-free viewing toward the rear of the vehicle, by switching between a high-reflectivity position and a low-reflectivity position at the same view adjustment. The exterior rear-view mirrors are repositioned with only a single motor working with a rotary cam to scan all possible mirror positions. The single-motor mechanism increases the reliability of the mirror system. The single motor accomplishes both the directional alignment and the day/night reflectivity adjustment of the mirror by use of a cam which has positions for all predicted view positions, with two reflectivity positions for each view. This invention works equally well with flat wedge mirrors and wide-angle convex wedge mirrors. Since each position is unique, each directional/reflectivity position can be assigned a set of digital coordinates which can be stored for each vehicle driver and each glare condition, for an initial setting which can be easily, or even automatically, adjusted for changes as the driver desires. Customizing features include manual and vehicle driver identification controlled override, start-up reset, and glare threshold setting.

(51) **Int. Cl.⁷** **G02B 5/08; G02B 17/00**
(52) **U.S. Cl.** **359/603; 359/606**
(58) **Field of Search** 359/601, 602,
359/603, 604, 605, 606

(56) **References Cited**

U.S. PATENT DOCUMENTS

3,655,273 A * 4/1972 Pringle 359/606
3,664,729 A * 5/1972 Moore 359/606
4,448,488 A * 5/1984 Nakaho 359/606

11 Claims, 8 Drawing Sheets

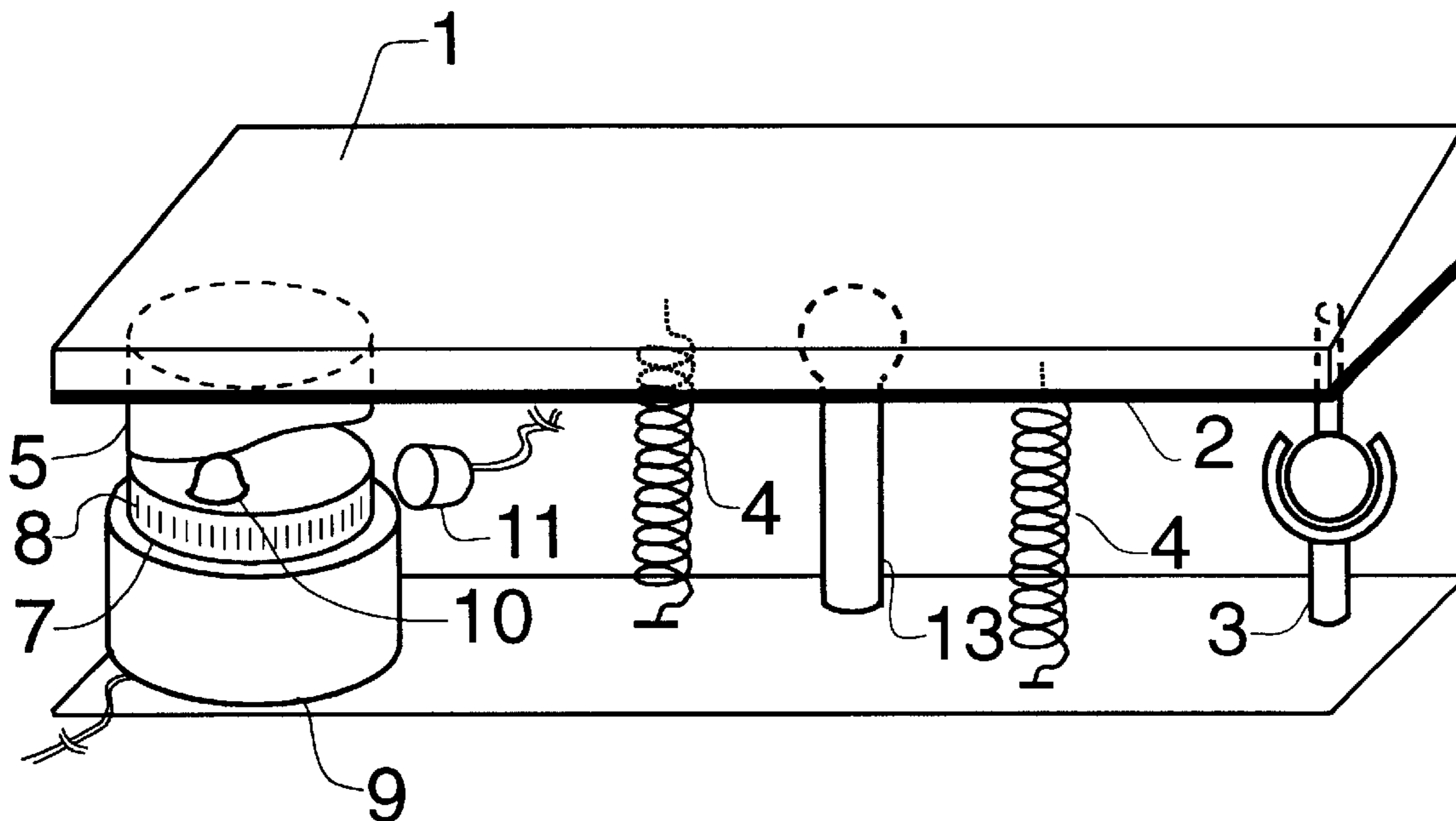


FIG. 1

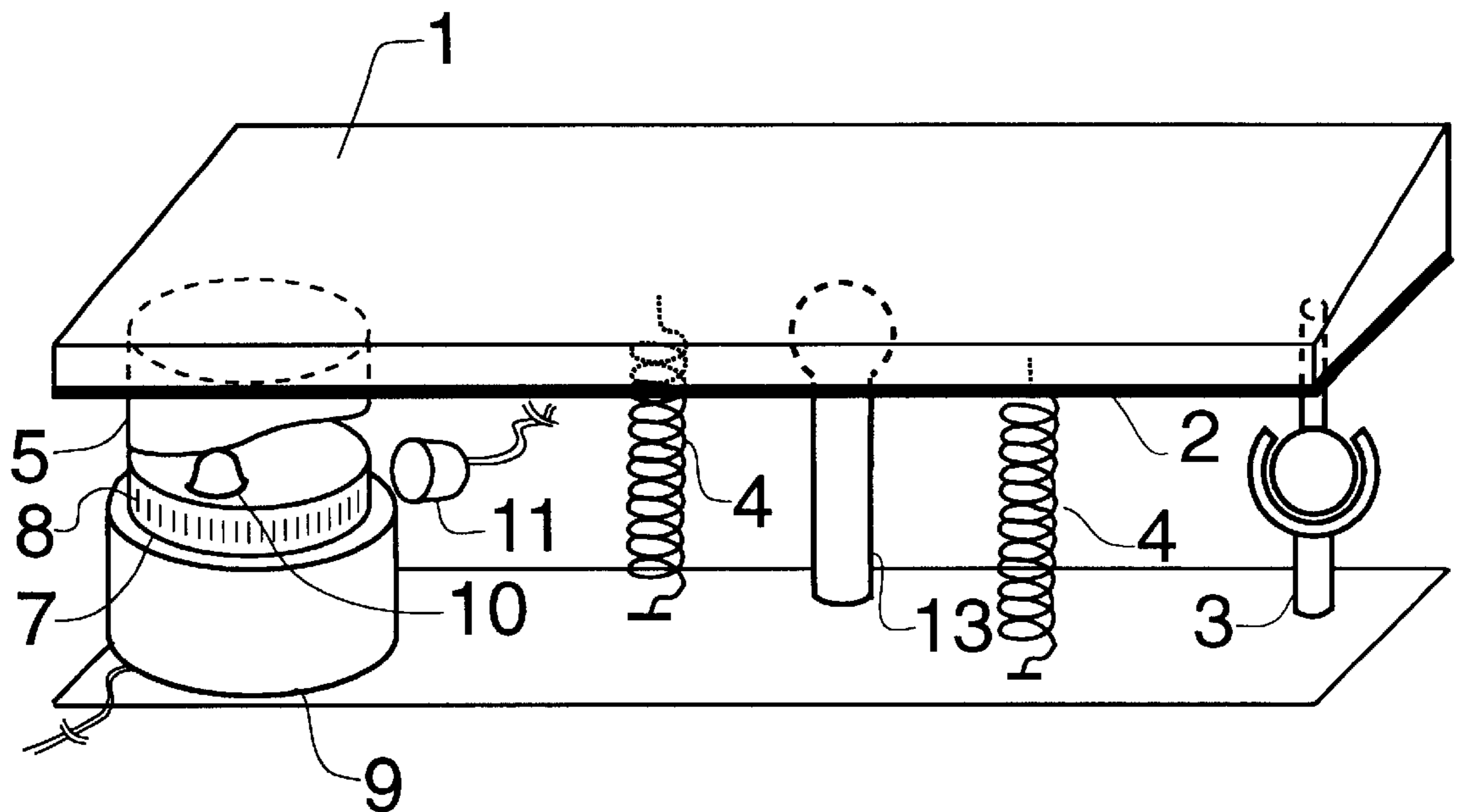


FIG. 2

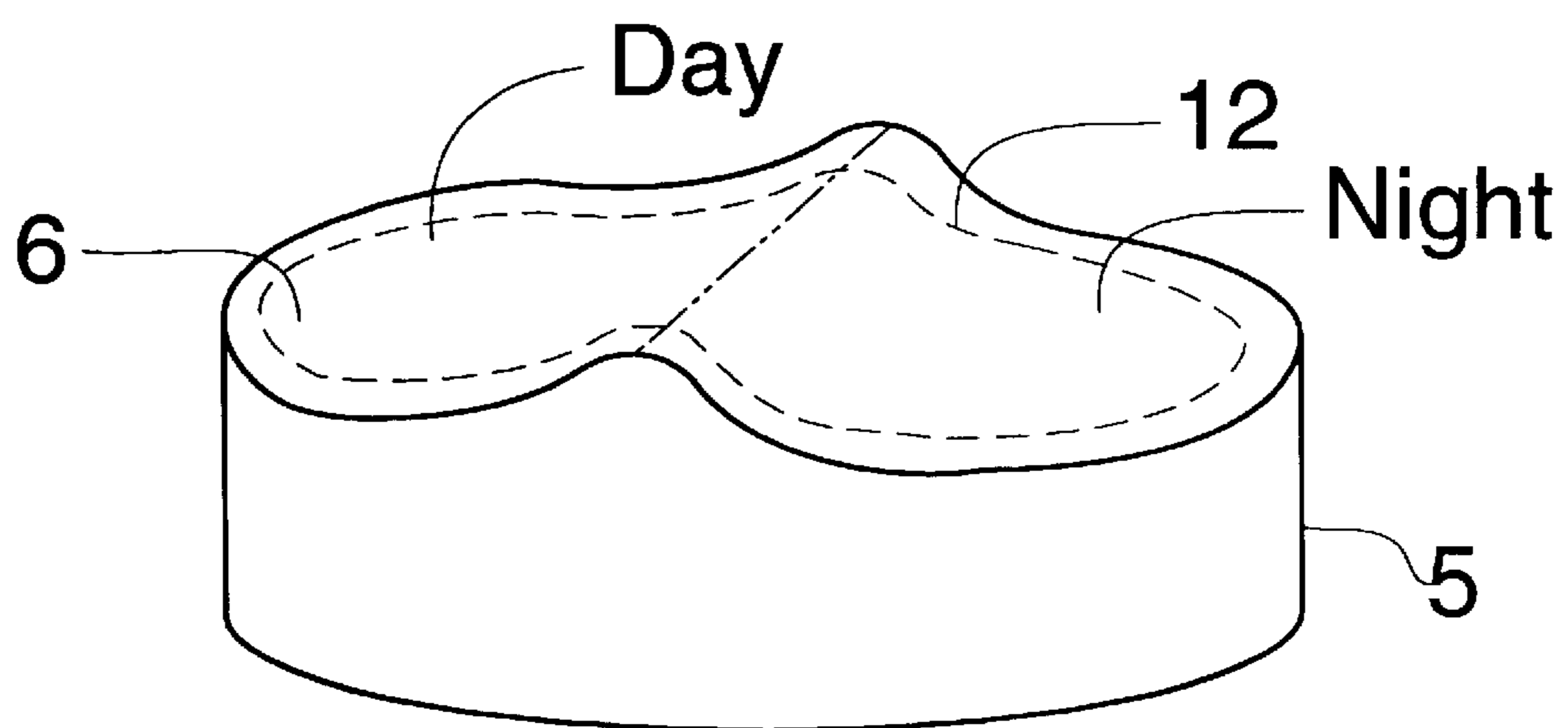


FIG. 3

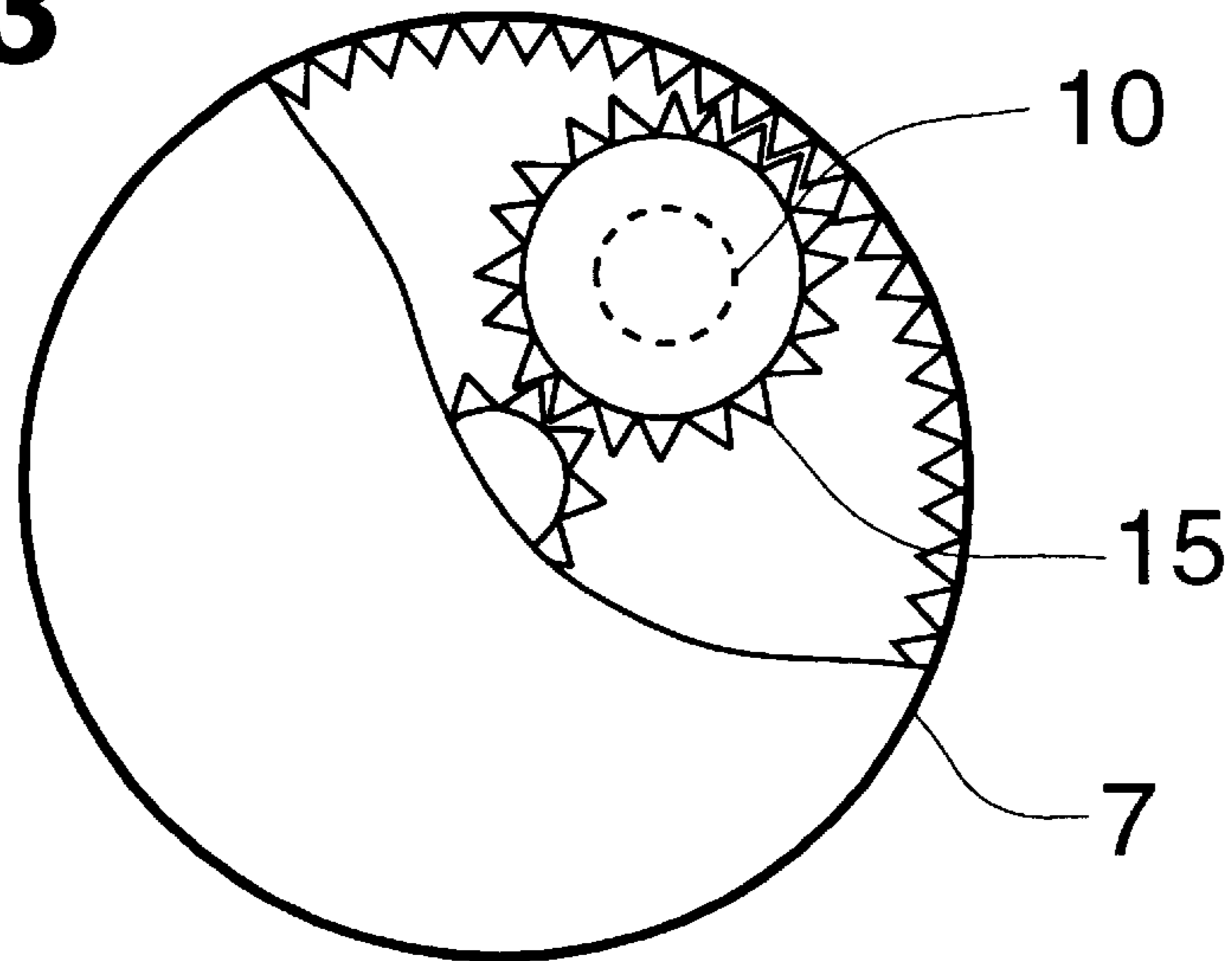


FIG. 4

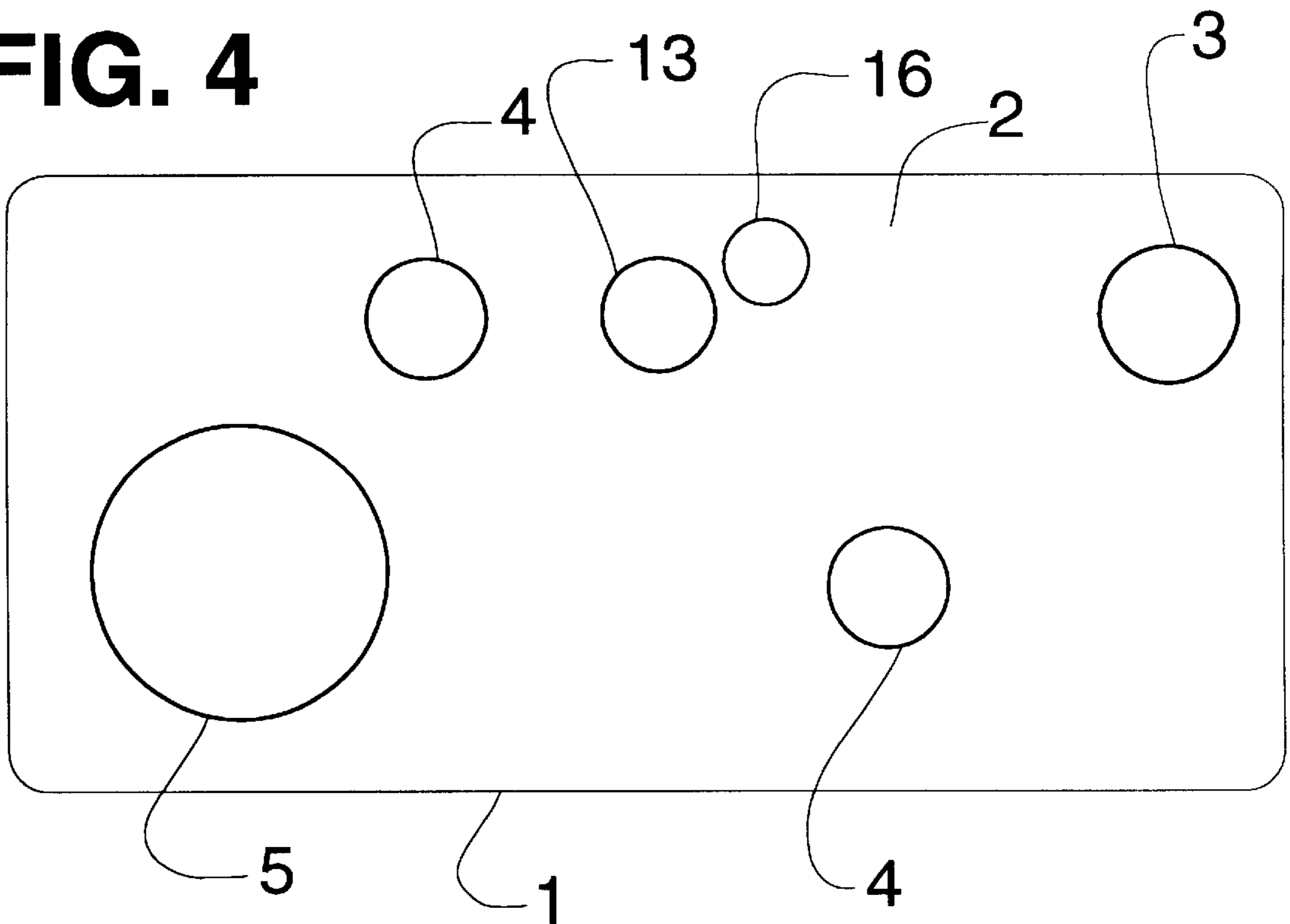


FIG. 5

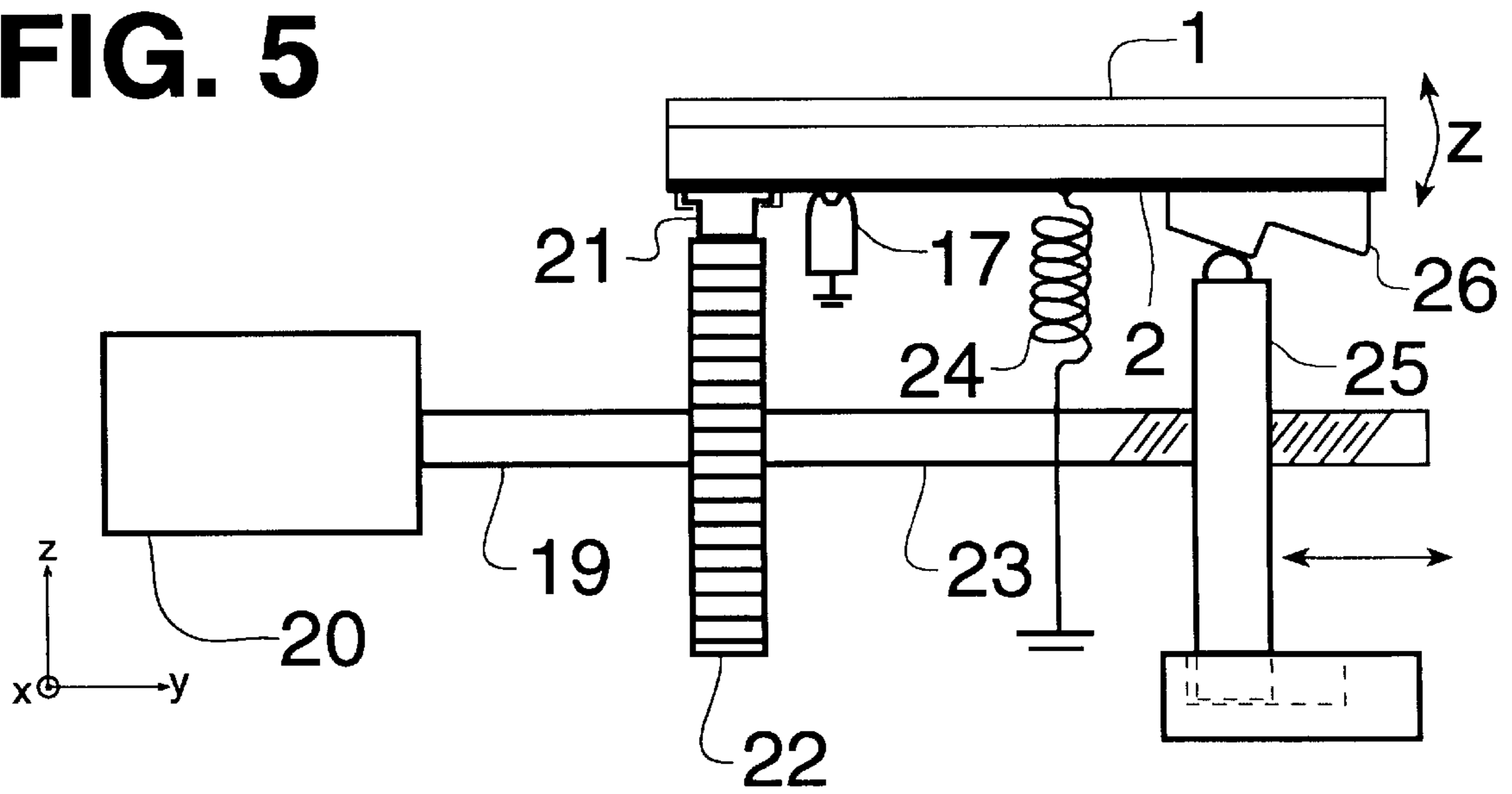


FIG. 6

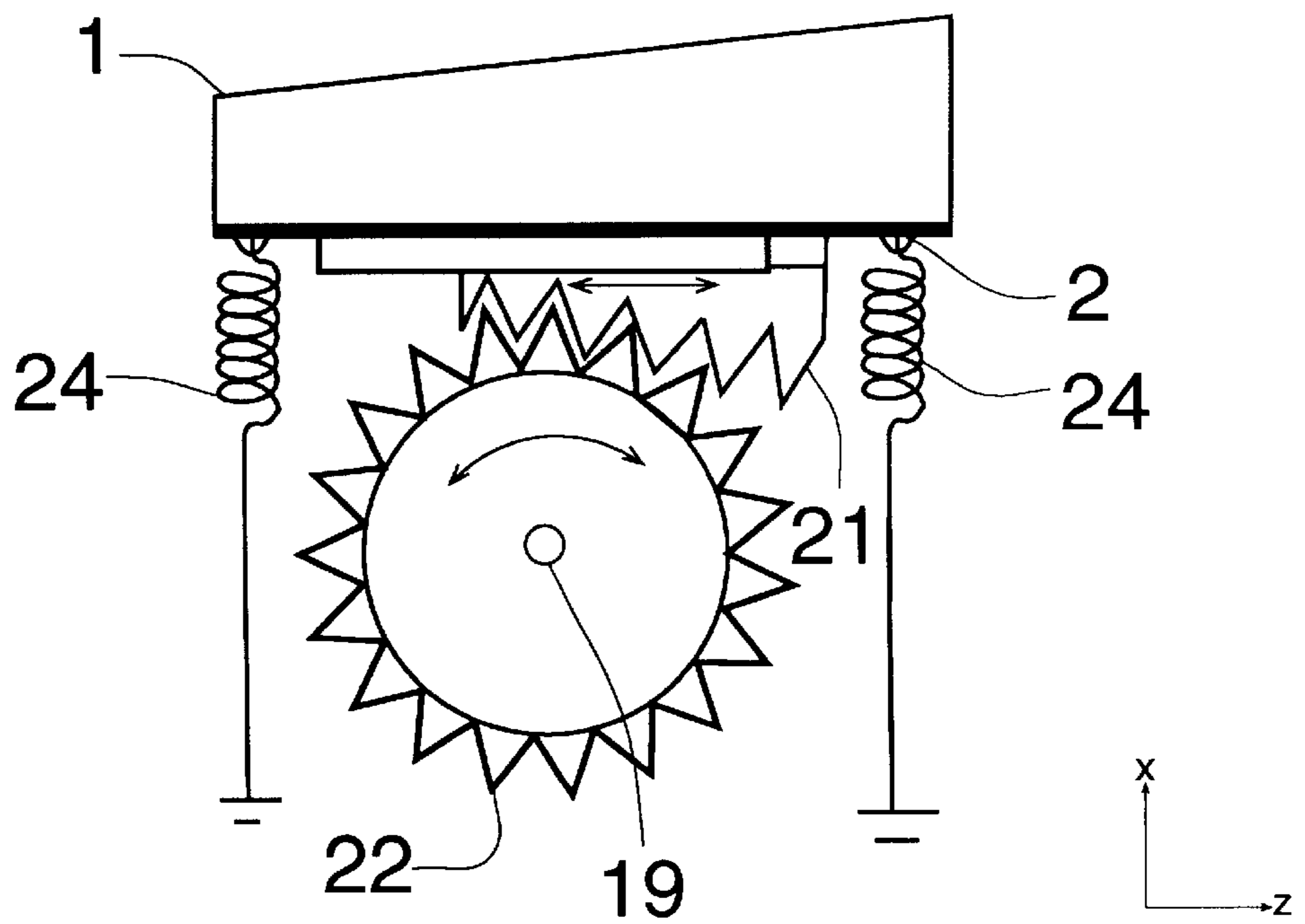


FIG. 7

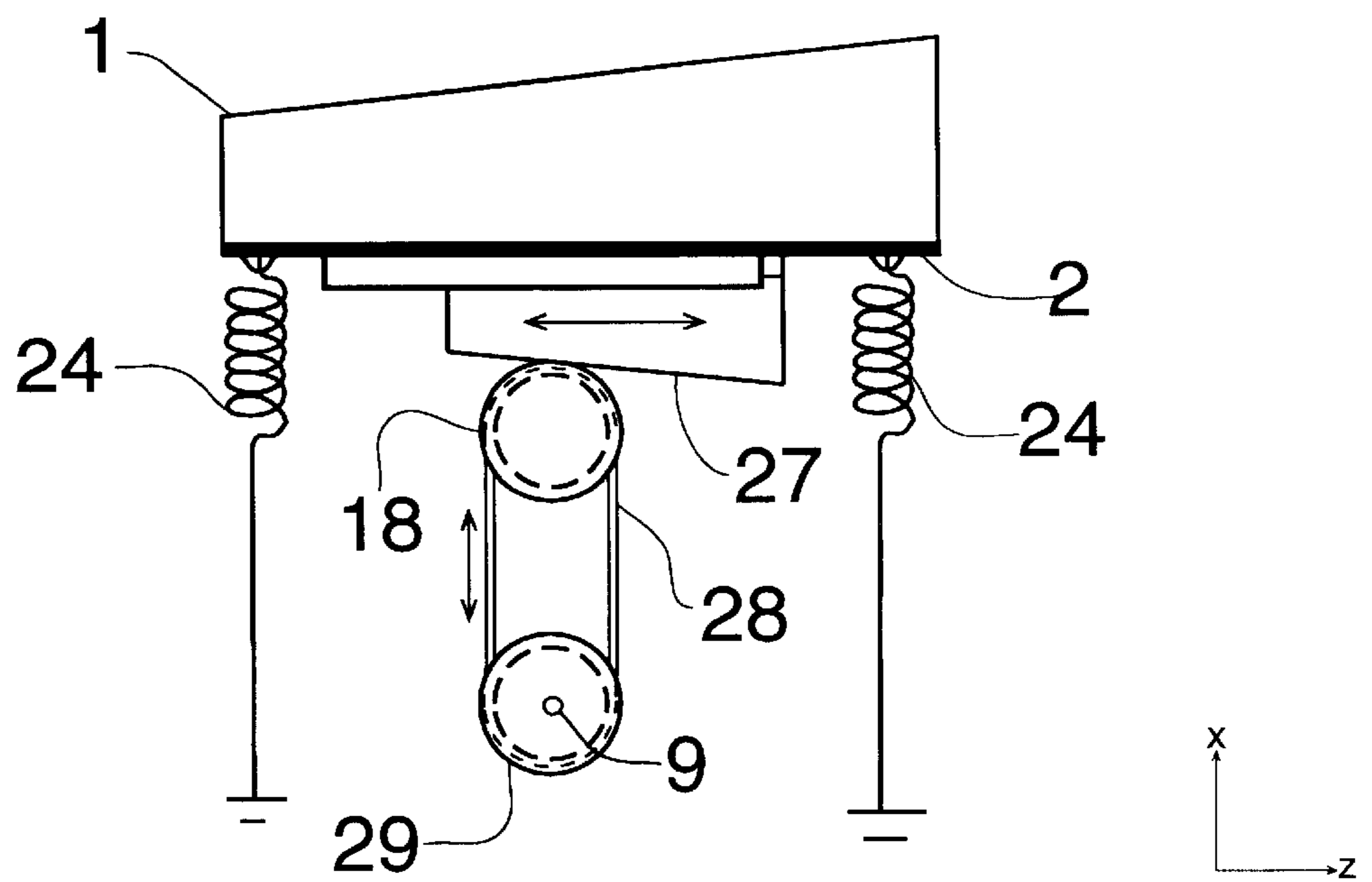


FIG. 8

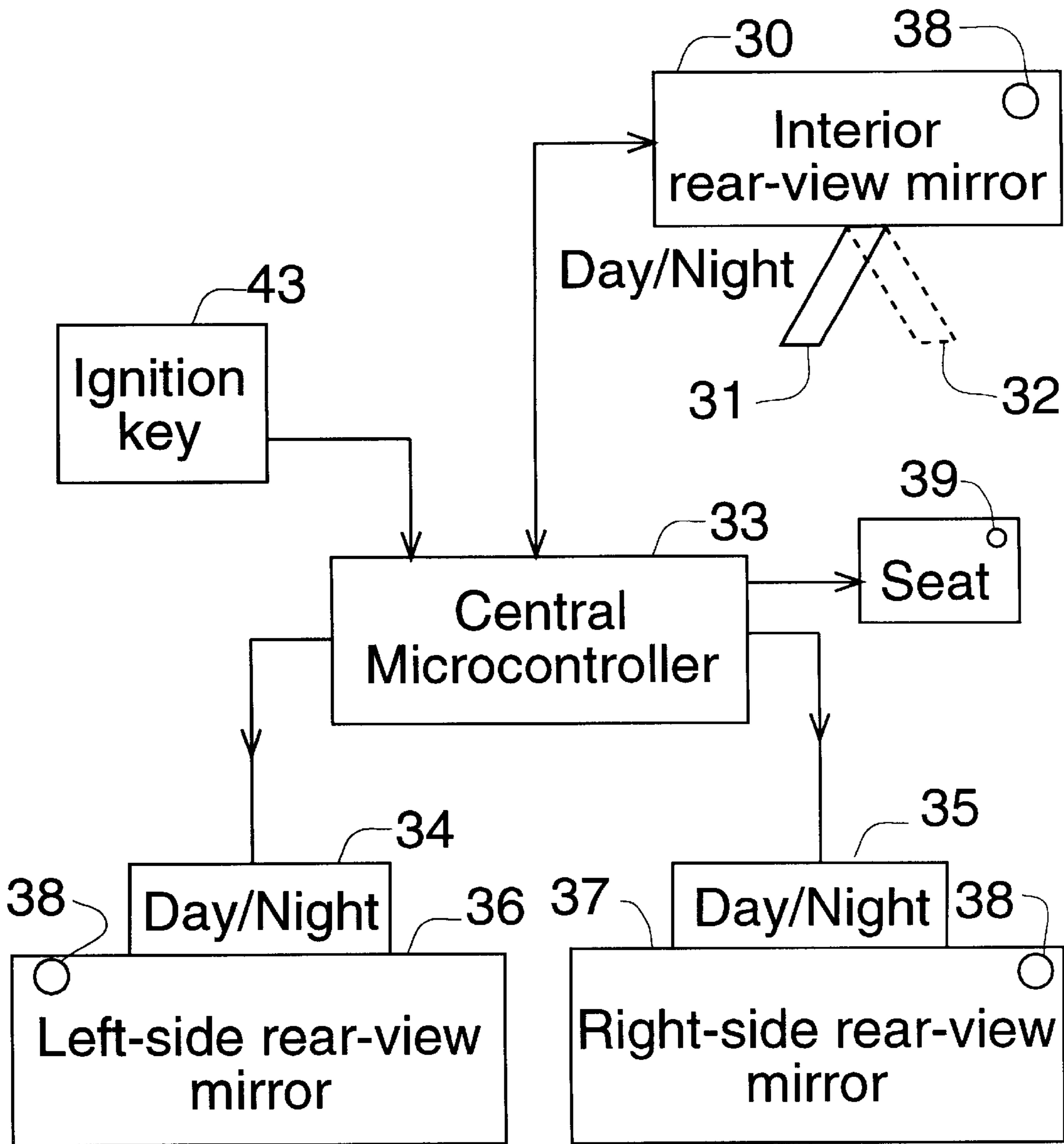


FIG. 9

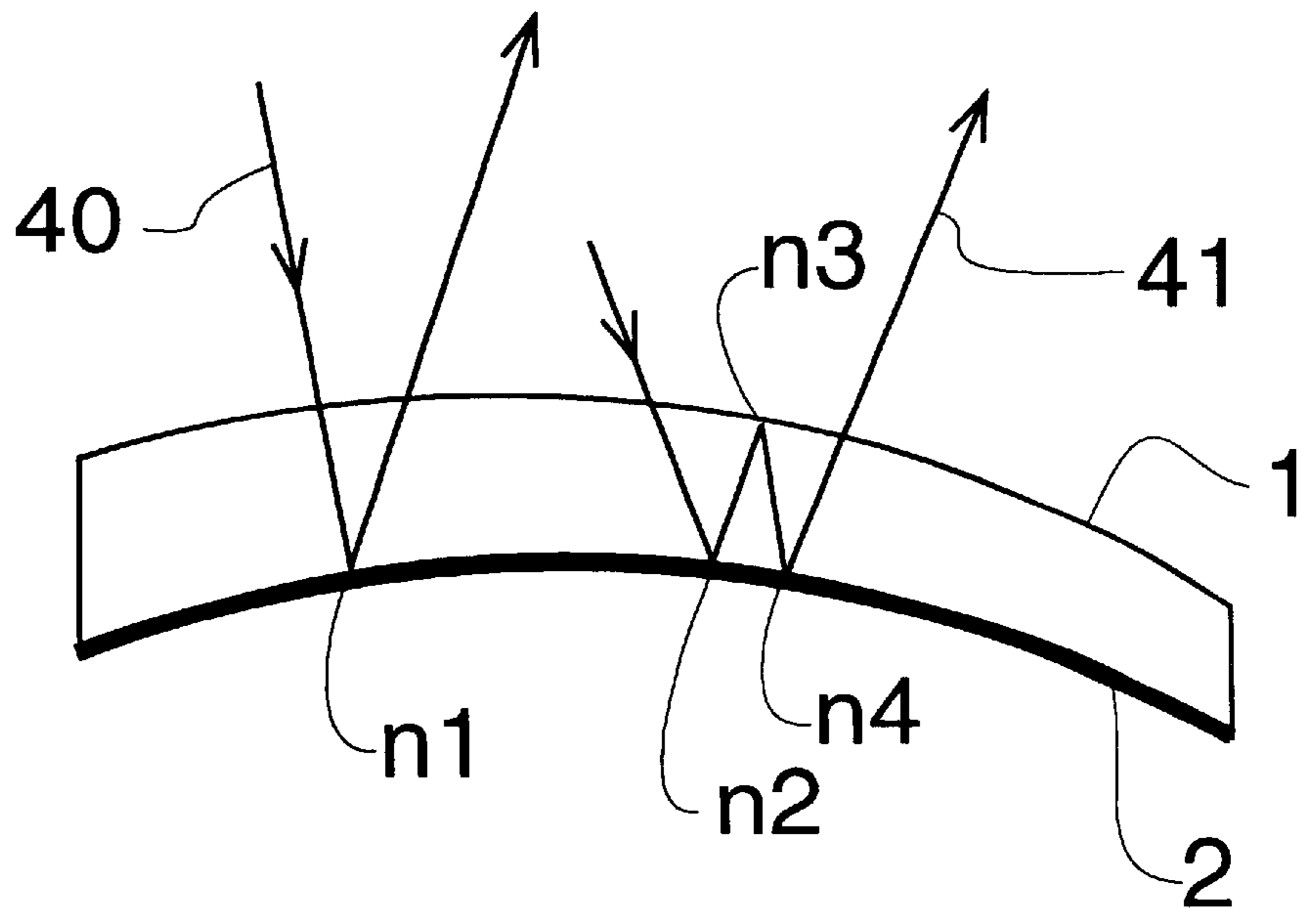


FIG. 10

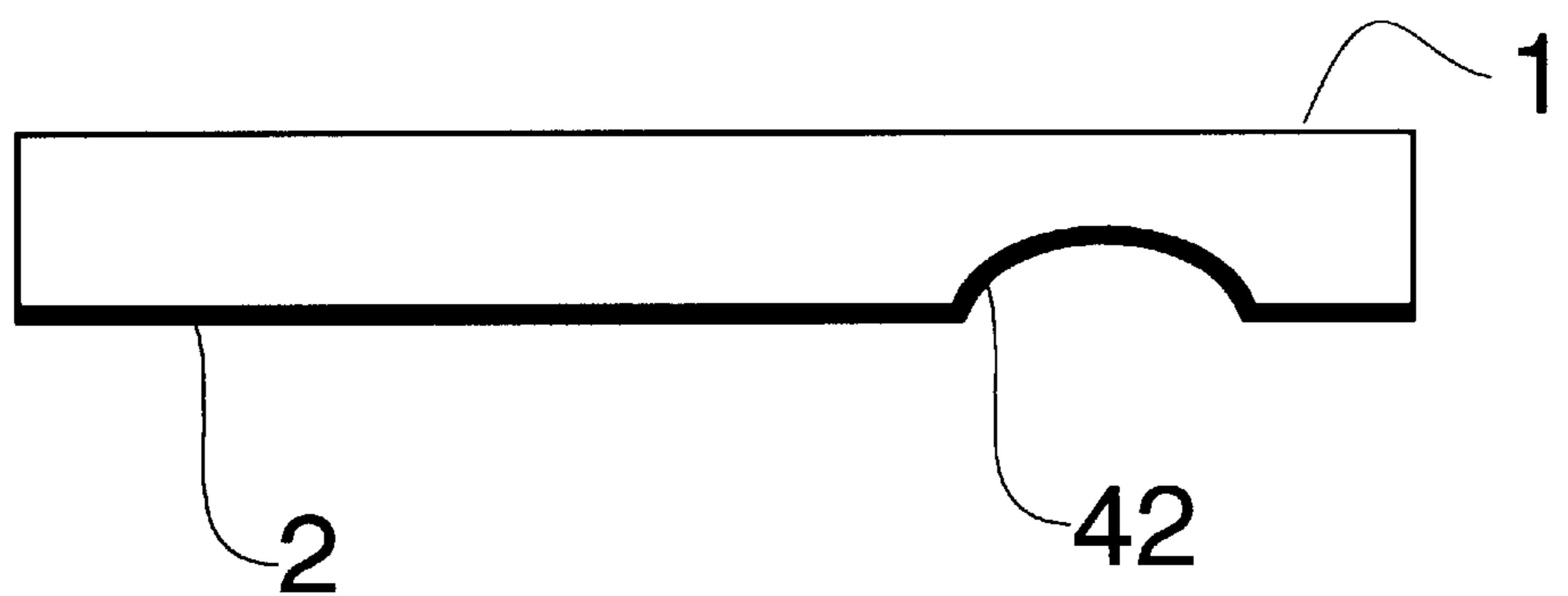


FIG. 11

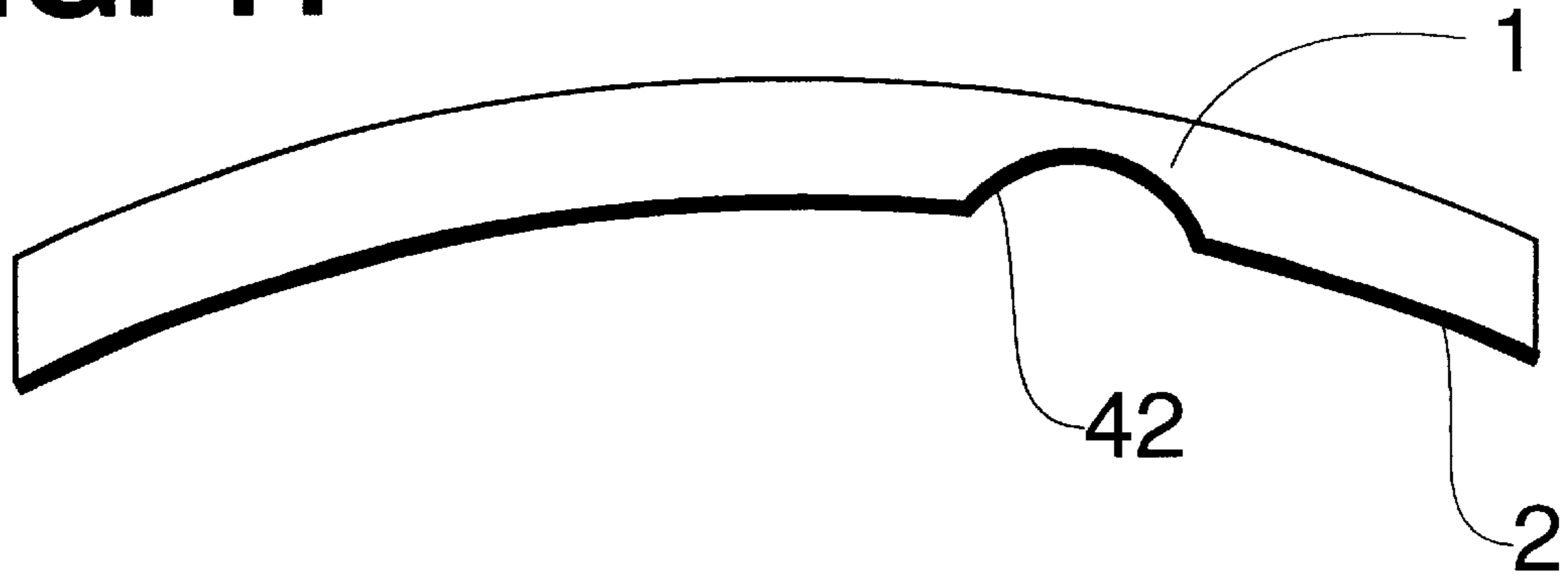


FIG. 12

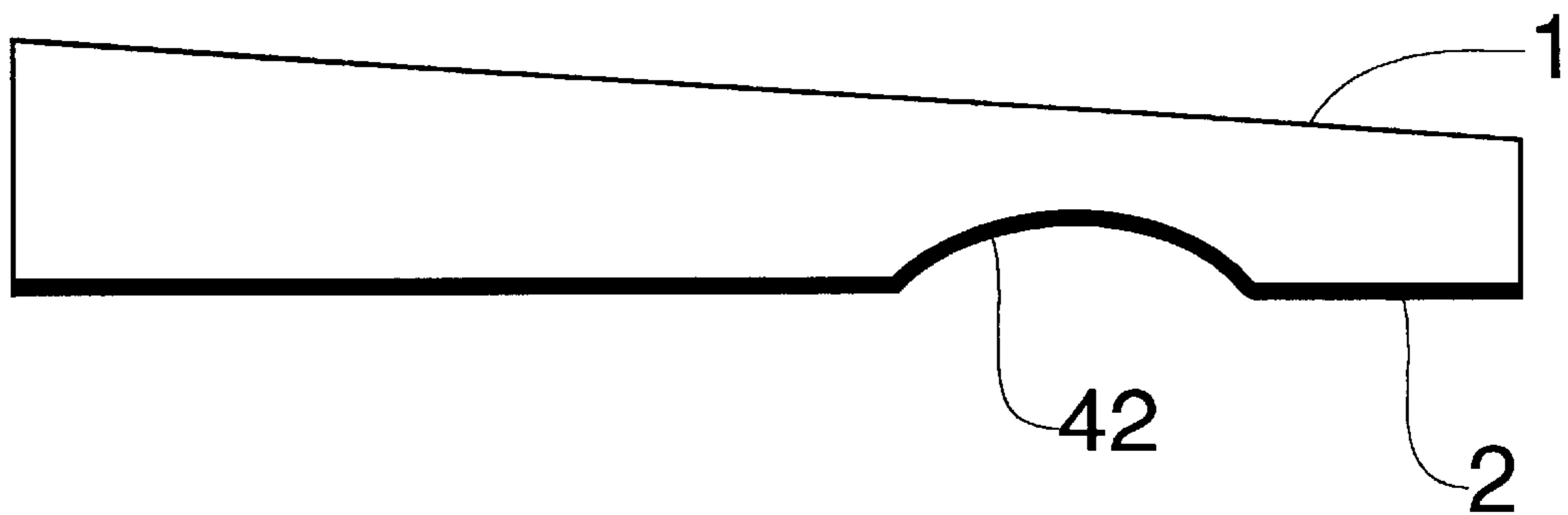


FIG. 13

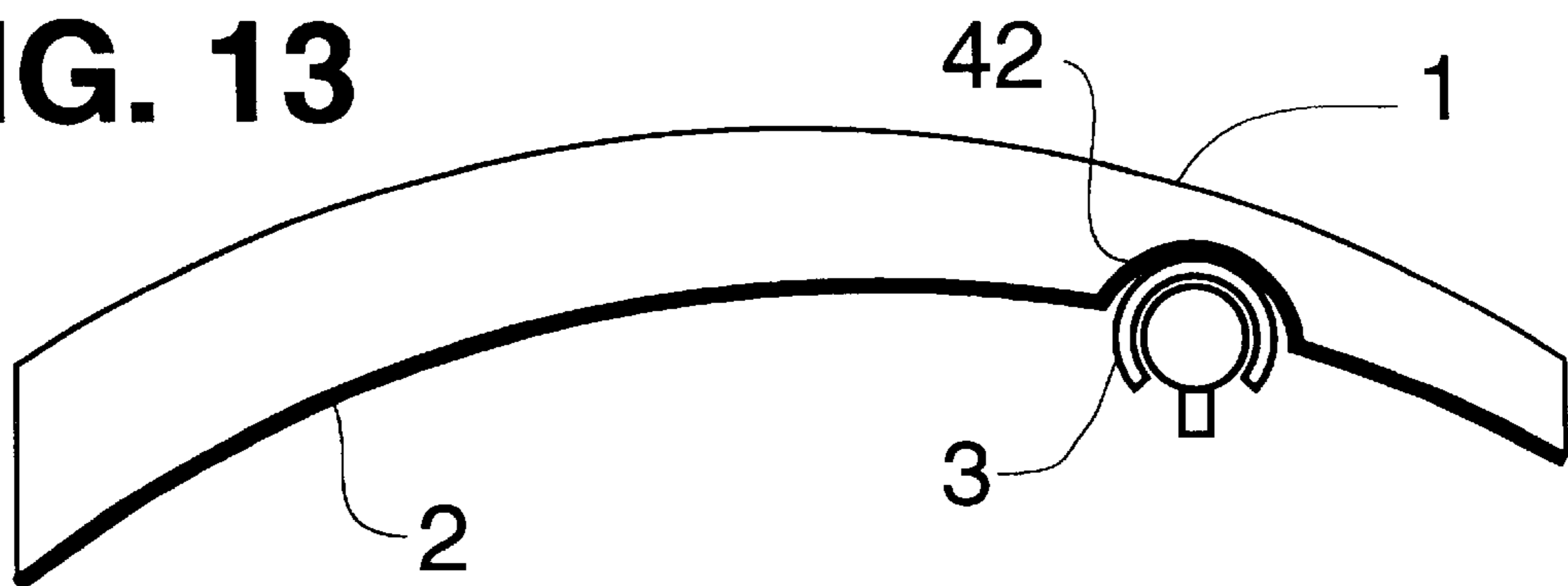


FIG. 14

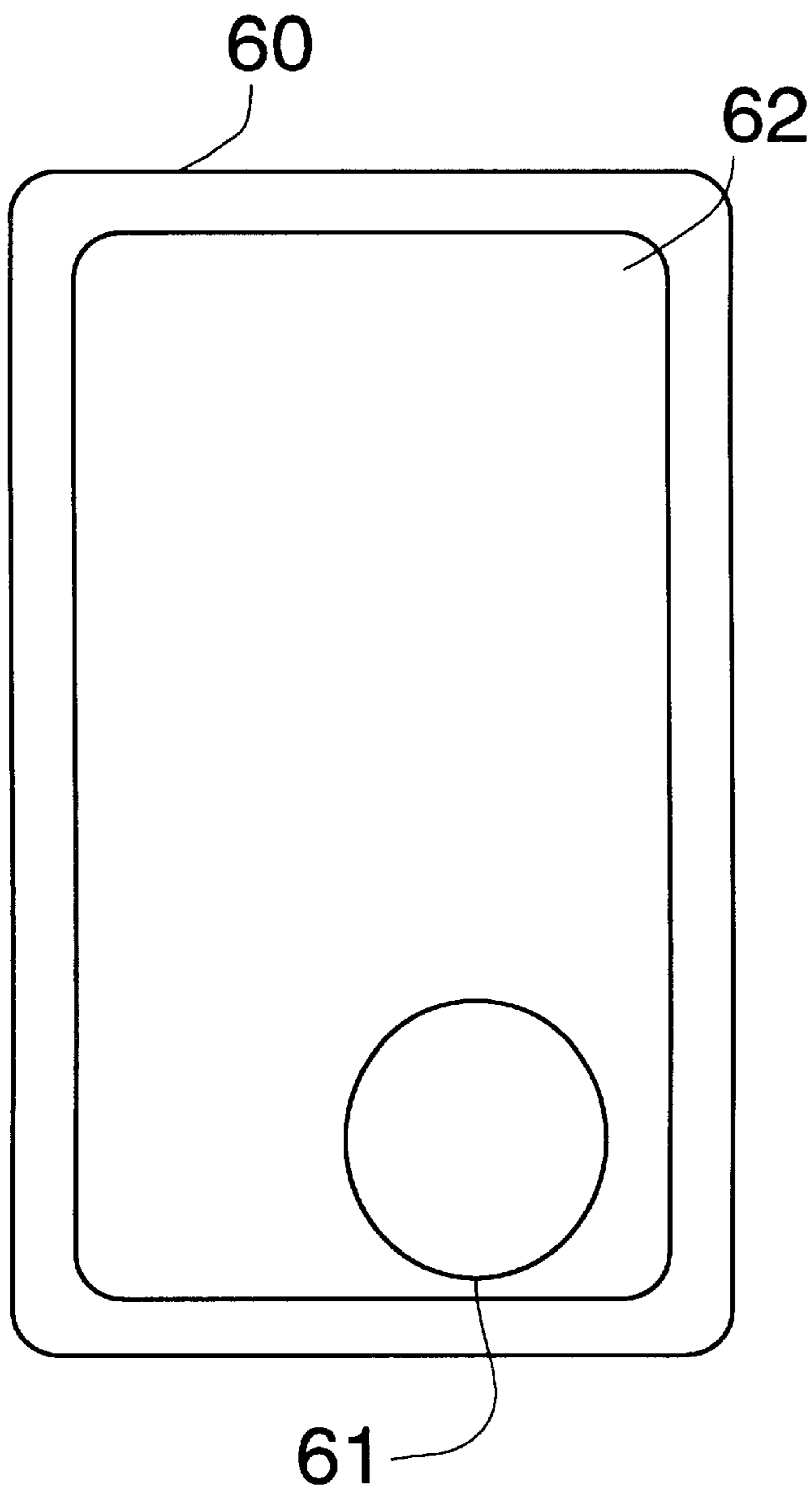
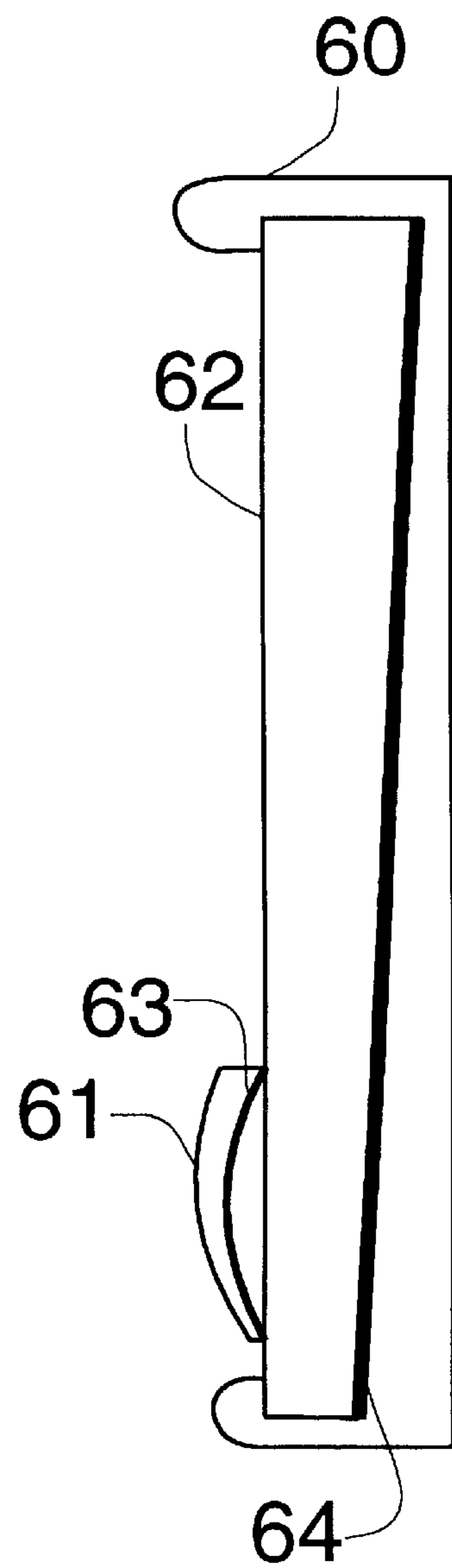


FIG. 15



REMOTELY ADJUSTABLE, ANTI-GLARE VEHICLE MIRROR SYSTEM

Matter enclosed in heavy brackets [] appears in the original patent but forms no part of this reissue specification; matter printed in italics indicates the additions made by reissue.

FIELD OF THE INVENTION

This invention relates to vehicle mirrors, and more particularly relates to an integrated, simplified system of vehicle mirrors, each having driver-operated adjustments of a single motor for remote, multi-axis directional alignment as well as for remote glare reduction without change of directional alignment.

DESCRIPTION OF THE PRIOR ART

In numerous situations for drivers of vehicles, the reduction of glare due to reflections of incoming light from various sources is an important safety consideration. The internal rear-view mirror in most vehicles has a dual position feature for day/night setting. The glare is caused by light entering the vehicle from the rear, being reflected from one or more mirrors provided for viewing the rear scene, and then entering the driver's eyes. Such glare causes eye discomfort to the driver, makes it difficult for him to ascertain the overall driving scene, and thus creates a potentially hazardous driving environment. Most frequently, the undesirable glare results from headlights of other vehicles that are behind the viewing driver, particularly if the headlights of the following vehicle are set at "high-beam." On other occasions, light from the sun may cause the unwanted glare, particularly soon after sunrise or before sunset when the sun's rays are nearly horizontal.

The human eye readily adapts to bright lights during the daytime. The iris constricts and the light intensity is attenuated. In the daytime, the constricted iris allows only a tiny amount of light through the pupil, and minor changes of light intensity are not noticeable. At night the iris opens to allow the maximum amount of light into the eye through the enlarged pupil, and consequently, the eye is extremely sensitive to bright lights. Besides causing discomfort to the driver, another vehicle's high beam lights reflected in a rear-view mirror can cause momentary blindness as the eye adjusts to the bright light.

It is desirable that the rear view be presented to the driver continuously in at least two mirrors, and preferably in three mirrors. However, many drivers, in order to prevent unwanted glare from blinding them, rely solely upon the inside mirror (which has glare-reduction capability), and do not use the side mirrors (which do not have glare reduction capability), thereby handicapping visibility. In a typical situation, light beams from the headlights of vehicles behind the driver enter his eyes after reflections from a rear-view mirror mounted inside his vehicle near the top-center of the front windshield, from a left-side rear-view mirror mounted outside the vehicle, and frequently also from a right-side rear-view mirror. For directional alignment, the inside-mounted mirror is adjusted manually, and in modern vehicles has a day/night feature. For directional alignment of the externally mounted mirrors, most vehicles provide remotely operated adjustment mechanisms mounted inside the vehicle. Whether these mirrors are adjusted by remote control or by hand the driver will usually adjust the directional setting to obtain the best rear-view. The driver is forced to accept the glaring reflections from the left-side and

right-side rear-view mirrors, since such mirrors do not have a day/night feature.

Currently no vehicle provides a left- (or right-) side rear-view mirror with a driver-controlled remote day/night reflectivity-adjustment feature. One luxury automobile offers a chemical glare-reduction feature similar to automatic sunglasses, but this is expensive and too slow-acting to eliminate momentary glare effectively during night driving. Further, it lacks the critically important manual override control for the driver. There is an important need to develop and provide convenient, safe, and economical mirrors for automobiles that reduce glare from all reflections. K. Jain, one of the named inventors, has provided such human factors in side mirrors having a remote high/low reflectivity adjustment, as well as a remote directional alignment mechanism, in U.S. Pat No. 5,450,246, issued Sep. 12, 1995.

Mirrors that provide two different reflectivities are commonly used in road vehicles. Such mirrors operate on the same basic principle: they all use a wedge mirror to control the number and strength of reflections as a function of the angular position of the mirror. The reflectivity-adjustment feature for the inside-mounted rear-view mirror typically employs a wedge mirror, silvered on one side. The mirror is mounted so that its unsilvered side first receives the incident light beam. The high/low reflectivity adjustment consists of a mechanical lever that turns the wedge mirror by an appropriate angle (approximately 4°) so that the incident beam travels either a short single-reflection path through the glass or a longer triple-reflection path through the glass to the driver's eyes. The turning angle is such that, in the single-reflection position, light traveling to the mirror enters the wedged glass plate, is reflected by the silvered rear surface, exits the glass plate, and reaches the driver's eyes; whereas in the triple-reflection position, the beam reflected from the rear-surface is reflected partially back from the front surface of the glass plate back to the rear surface, where it is again reflected, a second time, from the rear surface. The light, thrice reflected, exits the glass plate, and reaches the driver's eyes greatly diminished in intensity as a result of the much lower reflectivity of the unsilvered surface.

The functionality of the right-side exterior mirror is slightly different from the left-side exterior mirror. The left-side mirror is a list mirror and provides unit magnification, as required by federal vehicle safety standards. In contrast, in a majority of automobiles, the right-side exterior rear-view mirror is a convex mirror. A convex mirror is provided to increase the angular field of view (albeit by less than 1:1 magnification, which makes following vehicles appear farther away than they are). Although increasing the view field of the driver, such a convex mirror, like the flat left-side mirror, reflects other drivers' headlights into the driver's eyes at night without attenuating the intensity of the beam, producing a hazardous glare situation. Thus, the problem of bright lights in the side view mirrors requires, as a solution, a day/night reflectivity control, for both left and right mirrors, which does not alter the view adjustment and is convenient, safe, and economical.

In the cited prior-art patent by one of the co-inventors, control of each outside mirror involves four motors—three for angular view adjustment and one for day/night reflectivity toggling. A second configuration of the prior art replaces the fourth motor with a solenoid. Also described is mirror control using three motors—in which the day/night motor (or solenoid) is eliminated, and the fixed shift for day/night change is accomplished by moving the three view angle adjustment motors suitably. Also previously described

Is a mirror system having only two motors-this is accomplished by having one of the above three motors replaced by a ball-and-socket pivot, and programming the two motors to provide the appropriate angular shifts in two orthogonal dimensions.

The above-referenced prior art U.S. Pat. No. 5,450,246, by K. Jain, describes a remote controlled, anti-glare vehicle mirror with excellent human factors, but does not provide an optimized minimal mechanical electronic control system. The present invention discloses a complete remotely adjustable anti-glare vehicle mirror system including an integrated, user-friendly, minimal mechanical support and control system for each exterior mirror.

SUMMARY OF THE INVENTION

The invention provides an automobile mirror control system including optimized, integrated control systems for left-side and right-side rear-view mirrors with viewer-controlled adjustments for glare reduction as well as remote multi-axis directional alignment, using only one motor per mirror.

The object of the invention is to provide a rear-view mirror having elegantly simple, integrated, remotely operated control means for to adjustment of the reflectivity of to mirror as well as its directional alignment customized for different specific drivers.

A feature of the invention is a computer controlled rotary cam which drives to mirror through its entire range of view positions for both day and night anti-glare positions.

Another feature of the invention is a cam mechanism which is driven by a single motor through a complete range of view positions.

A feature of the invention is to provision of a convex portion in to mirror which serves as a socket for supporting to mirror and also serves as a wide-angle mirror.

A related feature uses a single motor and glare-control cam for a complete range of view positions with day/night reflectivity selectability at each view position.

Another feature is the placement of position marks on to rotary cam-driver, to provide for individualized view positioning as well as glare repositioning.

An advantage of the invention is its ability to provide glare-free views of the rear scene for a driver in all rear-view mirrors operated by an integrated control system having a single motor for each remotely-adjustable mirror.

Another advantage of the invention is its ability to provide adjustments for both glare reduction and directional alignment, customized for different driver's by one remotely operated control system.

Other objects, features, and advantages of the invention will be apparent from to following specification and from to annexed drawings and claims.

BRIEF DESCRIPTION OF THE DRAWINGS

FIG. 1 presents a view of the multifunctional mirror assembly using a cam and a single motor, illustrating details of the adjustment mechanism for directional alignment and reflectivity selection.

FIG. 2 shows the detail of the path traversed by to adjustment mechanism on to view selection cam [Note that the cam configuration shown is schematic and is not shown to scale.]

FIG. 3 shows to drive configuration utilizing a reducing gear configuration to drive to rotary cam-driver of the motor assembly.

FIG. 4 presents a view of the back side of the mirror to demonstrate component placement to achieve directional and alignment adjustment using a single motor.

FIG. 5 presents a second embodiment of the invention where directional alignment and reflectivity selection is accomplished using a sliding, ramped rack and pinion gear and a ball and post assembly which rides on a wedge cam to manipulate the wedge mirror.

FIG. 6 shows a detail of a ramped rack and pinion gear adjustment mechanism and to wedge minor.

FIG. 7 shows a detail of a belt and pulley adjustment mechanism to provide rotation about the y-axis and the wedge mirror.

FIG. 8 presents the system for automatically adjusting the exterior rear-view mirrors controlled by adjusting the interior rear-view mirror, as well as for implementing driver-personalized prepositioning and other positioning and day/night features.

FIG. 9 illustrates a wedge convex mirror and shows the light ray paths in to day/night reflectivity positions respectively having one reflection and three reflections, and respectively having two and four passes through the glass.

FIG. 10 shows a flat mirror with an insert convex portion to serve as both a socket recess and wide-angle mirror.

FIG. 11 shows a convex mirror with insert region which is more convex than to rest of the mirror to serve as a socket recess and wide-angle mirror.

FIG. 12 illustrates a wedge mirror with an inset convex portion t serve as a socket recess and wide-angle mirror.

FIG. 13 illustrates a convex wedge mirror with an inset region which is more convex. Note to wedge shape of the mirror provides a wedge shape to the additional convex area as well as a wedge shape to the entire mirror. Also shown is to use of the inset as recess for a ball and socket mount.

FIG. 14 shows a wedge mirror with an additional wide angle convex mirror attached to it.

FIG. 15 shows a cutaway side-view of the wedge mirror in FIG. 14 showing to details of the mirrors.

DESCRIPTION OF THE EMBODIMENTS

First Embodiment

FIG. 1 shows a single-motor-and-cam mechanism to drive a rear-view mirror through its complete range of view adjustment positions as well as its complete range of anti-glare positions. Wedge mirror 1, with 2 as its silvered side, is carried by a ball-and-socket pivot 3, which is situated near one end of the mirror. At to diagonally opposite corner is affixed a view/reflectivity selection cam 5. The complete range of angular adjustments of the mirror is controlled by a motor 9 as follows: the motor 9 turns in response to a signal received from to vehicle driver. As to motor 9 turns, a cam-driver contact 10, attached to the rotary cam-driver 7 which rotates with to shaft of the motor 9, traverses to surface 6 of the cam 5, to locus of the point of contact being an ellipse 12 as shown in FIG. 2. A suitable set of springs, or other positive loading mechanism 4, ensures that the cam driver contact 10 is always in contact with to surface 6 of the cam 5.

The cam surface 6 is designed such that the required range of view-angles is provided by a full or partial turn of the cam driver 7. Thus, for each position of the motor (i.e., each position of the cam driver contact 10), there is a related angular position of the mirror.

FIG. 2 schematically shows a cam surface 6 designed so that all required view angles are provided by traversal of

cam driver contact **10** along half (or less) of the ellipse **12**; and, the traversal along the other half of the ellipse is such that a fixed day/night angle adjustment is made to the view angle. The cam surface may be designed such that the various day/night view angle adjustments are interspersed with each other, and not separated on different parts of the cam, since in many situations a day view position for one vehicle driver may be identical to a night view position for a different driver.

The side of the rotary cam-driver **7** may have bar-code type markings **8** that can be read with a digital reader **11** to determine the exact mirror position. The rotary cam-driver **7** may also be positioned using an angular sensor. The rotary cam-driver **7** can be cast of plastic or any suitable material with an appropriate shaft socket, and as appropriate with gear teeth on its internal side surface.

FIG. **3** shows a preferred detail of the first embodiment, with reduction gearing to permit most effective use of the characteristic speed and torque of the single motor. While a single-direction motor will perform adequately, a dual-direction motor is preferred because it eases the view adjustment process. The rotary cam-driver **7** is shown being driven by a reducing gear **15**. The internal gear teeth of rotary cam-driver **7** can be molded along with the cam driver contact **10** and locator marks **8**. The gear **15** can be attached to the rotary cam-driver **7** at the point of contact of the cam driver contact **10** with the cam **5**.

Since all the angles (including the day/night alternates) can be predefined and programmed into the motor positions according to cam characteristics, full functionality of the mirror can be obtained by one motor and its related cam mechanism. The elevation and view adjustments are made in unison during a complete or partial rotation of the cam driver **7**. The various settings for day/night adjustment can be stored in a look-up table in the car's microcontroller. Various settings can be stored utilizing bar-code markings **8**, as well as the day/night adjustment position. Note that different cams may be required for the left and right-side minors due to their different viewing angles.

A variation to be considered when the mirror is large or when space is limited is to use a cylindrical cam mounted axially on the motor shaft parallel to the back of the mirror, without any reduction gearing.

FIG. **4** presents a variation of the first embodiment of the invention. The view/reflectivity cam **5**, ball pivot **3**, stop **13**, and loading means **4** are arranged as they were in the first embodiment. The day/night actuation is accomplished by the solenoid **16**, which is capable of moving the mirror **1** approximately by four degrees, thereby attenuating the reflection but leaving the view adjustment unchanged.

Second Embodiment

FIGS. **5** through **7** show an alternative configuration that also requires only one motor to control the angular adjustment in two directions. In FIG. **5**, as the reducing motor **20** turns, the screw thread **23** moves the post-ball assembly **25** along the y-axis sufficiently to traverse one half of ramp cam **26**. This displacement in y causes the post-ball assembly **25** to slide along the ramp cam **26** and tilt the mirror **1** along the z-axis (about the x-axis to adjust the view of the minor) shown by the double arrow. The overall motion of the mirror is partially limited by the stop **17**. The other angular adjustment (orthogonal to the first one to adjust the elevation of the mirror) is accomplished by means of a rack **21** and pinion **22**, shown in detail in FIG. **6**. The pinion **22** is attached to the shaft **19** of the reducing motor **20** such that both turn at

the same rate (i.e. they behave as a rigid body). The pinion **22** engages the wedged rack **21** so that the rack slides on the back of the wedge mirror in a track, changing the angle about the y-axis. When the driver toggles the mirror from the day to night setting, the reducing motor is triggered to turn and the pinion **22** moves the wedged rack **21** to a position that changes the orientation of the mirror by the appropriate angle, usually four degrees, to the attenuated position. The pinion gear **22** may be curved where it engages the rack to insure proper contact as the mirror changes position. A compressible gasket material between the pinion **22** and the rack **21** may also be used to insure proper contact between the rack and pinion as the mirror changes position. The motion of the reducing motor **20** also causes the post-ball assembly to progress further along the ramp cam **26**. The ramp cam is designed such that the view adjustments are duplicated on the ramp enabling the post-ball assembly to move to a corresponding position on the ramp care, leaving the driver's view unchanged, while the wedged rack repositions the mirror to the attenuated position. Similarly, the wedged rack is designed to maintain the view adjustment after moving to the night position.

FIG. **7** is a variation of this embodiment using a belt and pulleys to replace the gears of FIGS. **5** and **6**. A pulley can be attached to the shaft **19** and equipped with a belt to drive a second pulley **18**. The pulley **18** drives a wedge **27** along the back of the mirror **2** in a track, similar to the manner that pinion gear **22** drives the wedged rack **21** to pivot the mirror about the y-axis.

FIG. **8** shows the control path for synchronizing the adjustment of the exterior mirror for high reflectivity and low reflectivity, made automatic and synchronized with the day/night adjustment for the interior mirror. When the driver changes the setting of the interior mirror **30** to either day or night, an electrical signal is sent to a central microcontroller **33**, which is a microprocessor, programmable logic chip (PLC), or set of relays on the dashboard or other convenient place, and may be the main electronic control panel for the vehicle. This microcontroller **33** sends signals to the left-side and right-side mirrors, instructing them to tilt by the appropriate angle, thereby bringing these minors to the day or night positions, as needed, if there are several different drivers for a particular vehicle, each driver can store his/her unique interior mirror and side-view mirror position settings in the microcontroller **33**. This allows a vehicle driver to recall his/her unique mirror settings every time the vehicle is driven. Precise mirror control is accomplished using digital feedback from the mirror to the microcontroller so the exact mirror location is always known. We add a reset feature that resets the minors to the day position whenever the vehicle is shut off and restarted.

A variation of the individual vehicle driver recall is for each vehicle driver to establish an individual glare threshold and set that glare threshold into the vehicle microcontroller. A set of sensors **38** mounted on an outside mirror provide light intensity readings for forward-view, ambient light, and rear-view, and send these readings to the microcontroller. The microcontroller compares these readings to the glare threshold set by the individual vehicle driver and automatically toggles the mirrors from day to night if the threshold limit is exceeded. We also add a manual override to disable the automatic day/night toggle feature or to individually toggle any one of the rear-view mirrors without affecting the other mirrors. We can also customize each driver's ignition key **43** such that when a driver inserts his/her key into the ignition, a signal is sent to the central microcontroller **33**, which recognizes the key, and sends the appropriate adjust-

ment signals to the mirrors **30,36,37** and also to the drivers seat **39**, thus automatically adjusting all of them optimally for that driver.

It is possible to use any wedge mirror, either flat or convex, in any of these embodiments to provide day/night reflectivity adjustment. For the right-side rear-view mirror the solution we provide utilizes a 'wedge convex' mirror **1**, as shown in FIG. **9**. All aspects of the day/night adjustment work in the same way for the convex mirror as for the flat wedge mirror described in prior art. As described in the referenced prior art (U.S. Pat. No. 5,450,246), in the high-reflectivity day position the ray **40** entering the driver's eyes comes directly from a single reflection from the silvered surface **2**. In low-reflectivity night position, the ray **41** is attenuated by a lossy reflection **n3** from the unsilvered front surface of the mirror. The standard flat mirror of FIG. **10**, with a convex insert **42** for increased field of view, and the convex mirror of FIG. **11**, with convex insert **42** are replaced by wedge versions of the same mirrors illustrated in FIGS. **12** and **13**. Note that the wedge provided for in the main mirror automatically provides an appropriate wedge for the inset region. The convex insert **42** may also be used as a mounting location for the ball pivot **3** portrayed in FIG. **13**. The basic operation of the single motor directional view adjustment is the same whichever type of mirror is used.

Some driver's enhance their right-hand and left-hand mirrors with a convex mirror **61** affixed to the corner of a flat mirror **62**, as shown in FIG. **14**. These mirrors, usually used on large vehicles, give the driver a wide angle rear-view in addition to the standard view presented from the flat mirror. To make these mirrors day-night, one may simply make both minors wedges. The convex mirror will appear to be "chopped off" at one end. This can be early seen in FIG. **15**, the side cut-away view of the mirror of FIG. **14**. This configuration retains the advantages of the wide-angle convex mirror while adding the day/night functionality. These mirrors can be controlled with a single motor to present both view and reflectivity positions to the vehicle driver.

In either of these embodiments there is only one moving actuator to accomplish the mirror positioning, the motor **9** a **20**. One active device is used to accomplish both the multi-axis directional alignment (the view-positioning adjustment) and the day/night reflectivity adjustment. This greatly reduces the possible failure modes, since there are fewer active components, and also serves to reduce cost.

While the invention has been detailed in explanations of the embodiments and illustrated in the figures it will be clear to those skilled in the art that the modifications described as alternatives, may be pursued without departing from the spirit and scope of the invention, as defined in the following claims.

What is claimed is:

1. A multi-function optical beam reflecting and steering system for an exterior vehicle mirror characterized by

- (a) a wide-angle convex wedge mirror (**1**);
- (b) angular adjustment means, including a cam (**5**) and a cam driver set (**7, 10**), operationally connected to said mirror to adjust said mirror (**1**) through a complete range of view positions and at least two different reflectivity, positions for each view position as the cam is moved;
- (c) mounting means (**3**) affixed to said mirror (**1**) to provide a limited, variable, rotation to provide a complete range of view positions and reflectivity positions to said mirror;
- (d) a single motor (**9**) operationally connected to said angular adjustment means to move said cam;

(e) loading means (**4**) to positively load said mirror (**1**) such that said cam (**5**) remains in contact with said cam driver set (**7, 10**); and

(f) control means (**33**) for control of said motor to cause movement for both view adjustment and reflectivity adjustment.

2. A multi-function optical beam reflecting and steering system for an exterior vehicle mirror characterized by

- (a) a wedge mirror (**1**);
- (b) angular adjustment means including a cam means comprising a cam (**5**) and a cam driver set (**7, 10**) operationally connected to said mirror to adjust said mirror (**1**) through a complete range of view positions and at least two different reflectivity positions for each view position;
- (c) mounting means (**3**) affixed to said mirror (**1**) to provide a limited, variable, rotation to provide a complete range of view positions and reflectivity positions to said mirror;
- (d) a single motor (**9**) operationally connected to said angular adjustment means;
- (e) loading means (**4**) to positively load said mirror (**1**) such that said cam means remains in contact with said cam driver set (**7, 10**); and
- (f) control means (**33**) for control of said motor to cause movement for both view adjustment and reflectivity adjustment.

3. A vehicle rear-view mirror according to claim **2** further characterized in that said cam means (**5**) comprises a complete set of reflectivity positions including all high-reflectivity positions and all low-reflectivity positions in a complete set of view positions for a range of vehicle drivers.

4. A vehicle rear-view mirror according to claim **3** further characterized in that said cam means (**5**) has one portion for all high reflectivity positions within said range of vehicle driver's and another portion for all low reflectivity positions within said range of vehicle drivers.

5. A vehicle rear-view mirror according to claim **3** further characterized in that

said cam-driver set comprises a rotary cam driver (**7**) with a cam-driver contact (**10**) positioned by a reducing gear (**15**) which is an intermediate gear in a planetary gear system,

and said rotary cam driver (**7**) has a position mark sensing means (**11**) and a set of markings (**8**) readable by said position mark sensing means (**11**) to determine the exact position of said cam means (**5**), said exact position being stored in said control means (**33**).

6. A vehicle rear-view mirror according to claim **2** further characterized in that

said cam-driver set comprises a rotary cam driver (**7**) with a cam-driver contact (**10**) positioned by a reducing gear (**15**) which is an intermediate gear in a planetary gear system.

7. A vehicle mirror according to claim **2** further characterized in that

said angular adjustment means includes a solenoid (**16**) which moves said wedge mirror (**1**) to a different position having the same view adjustment with a different reflectivity.

8. A multi-function optical beam reflecting and steering system for an exterior vehicle mirror characterized by

- (a) a wedge mirror (**1**);
- (b) angular adjustment means including a cam means Including a ramped rack (**21**) and pinion gear (**22**) for

9

directional/reflectivity adjustment in elevation, an angular adjustment ramp cam and ball post assembly (25, 26) for repositioning across a range of view positions, a cam (5) and a cam driver set (7, 10), operationally connected to said mirror;

- (c) mounting means (3) affixed to said mirror (1) to provide a limited, variable, rotation to provide a complete range of view positions and reflectivity positions to said mirror;
- (d) a single motor operationally connected to said angular adjustment means;
- (e) loading means (4) to positively load said mirror (1) such that said cam means remains in contact with said cam driver set (7, 10); and
- (f) control means (33) for control of said motor to cause movement for both view adjustment and reflectivity adjustment.

9. A single-motor-&-cam, remotely adjustable, anti-glare vehicle mirror system characterized by

- (a) a wedge mirror (1);
- (b) mirror positioning means including a rotary cam driver (7) and cam means (5) connected to said mirror (1);
- (c) mounting means (3) affixed to said mirror (1) to provide a limited variable, range of movement to said mirror (1) to provide a complete range of view positions and a plurality of reflectivity positions for each view position;
- (d) a single motor (9) connected to said mirror positioning means to move said mirror (1) through a complete range of view positions and at least two different reflectivity positions for each view position;
- (e) loading means (4) to positively load said mirror (1) such that said cam means remains in contact with said cam driver; and
- (f) control means (33) for control of said single motor (9) to cause movement of said wedge mirror (1) for said complete range of view positions.

10. A single-motor-&-cam, remotely adjustable, anti-glare vehicle mirror system characterized by

10

- (a) wedge mirror means (1; 62) with a wide angle convex wedge mirror segment (42; 61);
- (b) mirror positioning means including a rotary cam driver (7) and cam means (5) connected to said wedge mirror means
- (c) mounting means (3) affixed to said wedge mirror means to provide a limited, variable, rotation to said wedge mirror means to provide a complete range of view positions and a plurality of reflectivity positions for each view position;
- (d) a single motor (9) connected to said mirror positioning means to move said wedge mirror means through a complete range of view positions and at least two different reflectivity positions for each view position;
- (e) means (4) to positively load said mirror (1) such that said cam means remains in contact with said cam driver; and
- (f) control means (33) for control of said single motor to cause mirror positioning through said complete range of view positions.

11. A single-motor-&-cam, remotely adjustable mirror alignment system characterized by

- (a) a wedge mirror (1);
- (b) alignment means including cam means and cam driver means associated with said mirror;
- (c) mounting means (3) affixed to said mirror (1) to provide a complete range of view alignments to said mirror;
- (d) a single motor associated with said angular adjustment means and said mounting means (3) to drive said mirror (1) through said complete range of view alignments, including view alignments having identical views with differing reflectivities; and
- (e) control means (33) for control of said motor to cause movement for view adjustment and reflectivity selection.

* * * * *