



US00RE37885E

(19) **United States**
(12) **Reissued Patent**
Acres et al.

(10) **Patent Number: US RE37,885 E**
(45) **Date of Reissued Patent: Oct. 15, 2002**

(54) **METHOD AND APPARATUS FOR OPERATING NETWORKED GAMING DEVICES**

4,283,709 A 8/1981 Lucero et al. 340/147 R
4,335,809 A 6/1982 Wain 194/1 R
4,409,656 A 10/1983 Anderson 364/200

(List continued on next page.)

(75) Inventors: **John F. Acres**, Corvallis, OR (US);
Alec Ginsburg, Las Vegas, NV (US);
David Wiebenson, Corvallis, OR (US)

FOREIGN PATENT DOCUMENTS

AU B 27572/84 11/1984
AU B 53370/86 8/1986
AU B 71194/91 8/1991

(List continued on next page.)

(73) Assignee: **Acres Gaming, Inc.**, Las Vegas, NV (US)

OTHER PUBLICATIONS

(*) Notice: This patent is subject to a terminal disclaimer.

Report & Recommendation (Findings of Fact & Conclusions of Law Re: Claim Construction), May 2000.

(List continued on next page.)

(21) Appl. No.: **09/573,470**

Primary Examiner—Joe H. Cheng
Assistant Examiner—Julie Kasick

(22) Filed: **May 16, 2000**

(74) *Attorney, Agent, or Firm*—Marger Johnson & McCollom, PC

Related U.S. Patent Documents

Reissue of:

(64) Patent No.: **5,752,882**
Issued: **May 19, 1998**
Appl. No.: **08/465,915**
Filed: **Jun. 6, 1995**

(57) **ABSTRACT**

A system for monitoring and configuring gaming devices interconnected over a high-speed network is disclosed. The system can support a file server, one or more floor controllers, one or more pit terminals, and other terminals all interconnected over the network. Each gaming device includes an electronic module which allows the gaming device to communicate with a floor controller over a current loop network. The electronic module includes a player tracking module and a data communication node. The player tracking module includes a card reader for detecting a player tracking card inserted therein which identifies the player. The data communication node communicates with both the floor controller and the gaming device. The data communication node communicates with the gaming device over a serial interface through which the data communication node transmits reconfiguration commands. The gaming device reconfigures its payout schedule responsive to the reconfiguration commands to provide a variety of promotional bonuses such as multiple jackpot bonuses, mystery jackpot bonuses, progressive jackpot bonuses, or player specific bonuses.

U.S. Applications:

(62) Division of application No. 08/322,172, filed on Oct. 12, 1994, now Pat. No. 5,655,961.

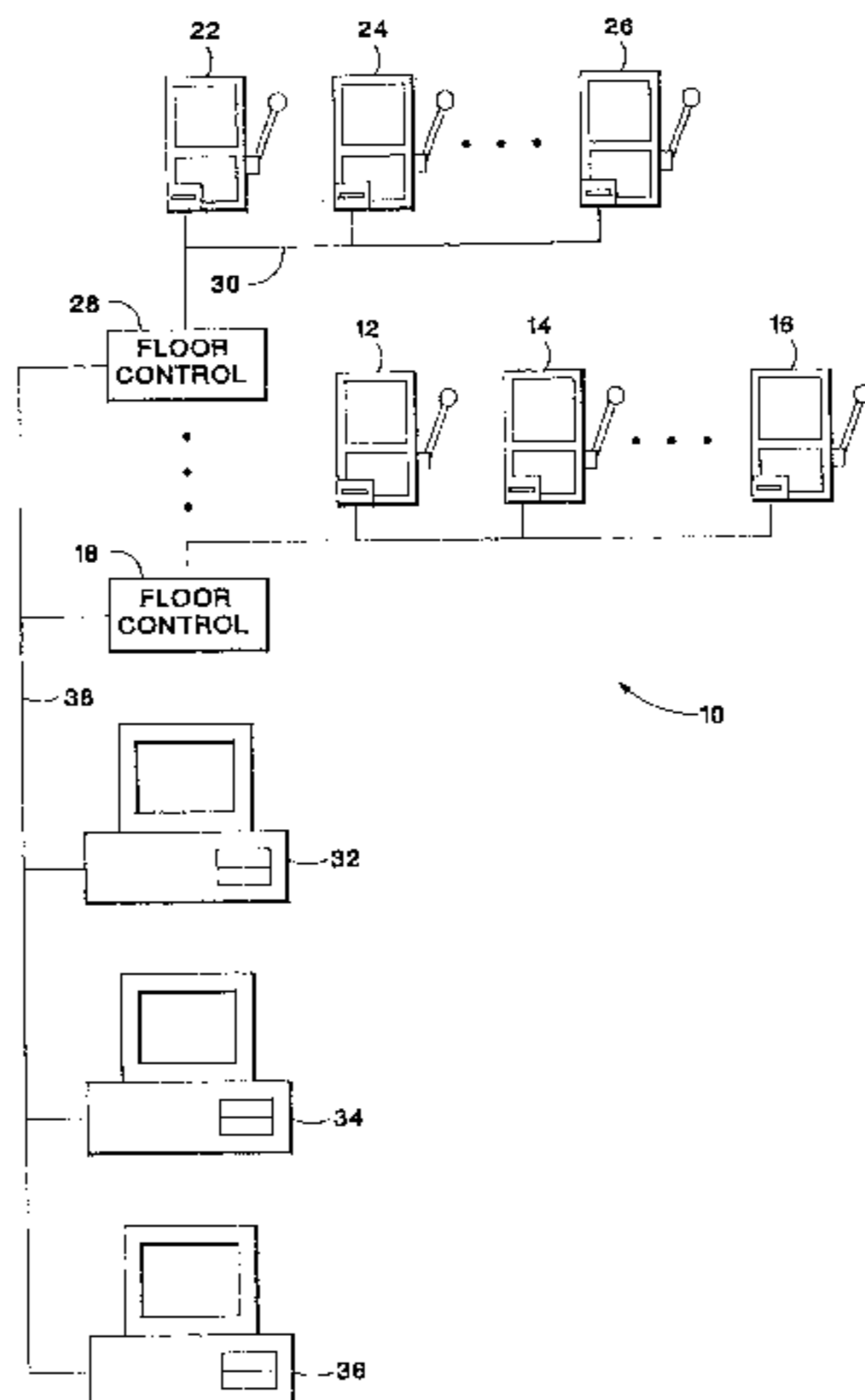
(51) **Int. Cl.**⁷ **A63F 9/00**
(52) **U.S. Cl.** **463/42; 463/16; 463/25**
(58) **Field of Search** **463/42, 16, 25-28, 463/20**

(56) **References Cited**

U.S. PATENT DOCUMENTS

3,598,964 A 8/1971 Dell 235/61.6 R
3,659,284 A 4/1972 Rusch 340/324 A
3,796,433 A 3/1974 Fraley et al. 273/138 A
3,819,186 A 6/1974 Hinterstocker 273/138 A
4,072,930 A 2/1978 Lucero et al. 340/152 T
4,230,265 A 10/1980 Casaly 235/455
4,258,838 A * 3/1981 Rockola et al. 194/1 R

57 Claims, 34 Drawing Sheets



US RE37,885 E

U.S. PATENT DOCUMENTS

4,467,424 A 8/1984 Hedges et al. 364/412
4,575,622 A 3/1986 Pellegrini 235/382
4,582,324 A 4/1986 Koza et al.
4,624,459 A 11/1986 Kaufman 273/143 R
4,636,951 A 1/1987 Harlick 364/412
4,652,998 A * 3/1987 Koza et al. 364/412
4,669,596 A 6/1987 Capers et al. 194/210
4,669,730 A 6/1987 Small 273/138
4,679,143 A 7/1987 Hagiwara 364/412
4,760,247 A 7/1988 Keane et al. 235/454
4,760,527 A 7/1988 Sidley 364/412
4,764,666 A 8/1988 Bergeron 235/380
4,775,937 A 10/1988 Bell 364/412
4,805,907 A 2/1989 Hagiwara 273/138
4,815,741 A 3/1989 Small 273/138 A
4,837,728 A * 6/1989 Barrie et al. 364/412
4,839,640 A 6/1989 Ozer et al. 340/825.31
4,844,464 A 7/1989 Berge 273/138 A
4,856,787 A 8/1989 Itkis 273/237
4,880,237 A 11/1989 Kishishita 273/138 A
4,882,473 A 11/1989 Bergeron et al. 235/380
4,922,420 A 5/1990 Nakagawa et al.
4,926,327 A 5/1990 Sidley 364/412
4,926,996 A 5/1990 Eglise et al.
4,948,138 A 8/1990 Pease et al.
4,964,638 A 10/1990 Ishida 273/138 A
4,991,848 A 2/1991 Greenwood et al. 273/143 R
5,007,649 A 4/1991 Richardson 273/237
5,016,880 A 5/1991 Berge 273/138 A
5,038,022 A 8/1991 Lucero 235/380
5,042,810 A 8/1991 Williams 273/142
5,043,887 A 8/1991 Richardson
5,072,381 A 12/1991 Richardson et al.
5,078,405 A 1/1992 Jones 273/309
5,096,195 A 3/1992 Gimmon 273/138 A
5,103,081 A 4/1992 Fisher et al. 235/464
5,114,155 A * 5/1992 Tillery et al. 273/371
5,116,055 A 5/1992 Tracy 273/138 A
5,123,649 A 6/1992 Tiberio 273/143 R
5,129,652 A 7/1992 Wilkinson 273/139
5,135,224 A 8/1992 Yamamoto et al. 273/143 R
5,159,549 A * 10/1992 Hallman, Jr. et al. 364/412
5,179,517 A 1/1993 Sarbin et al. 364/410
5,197,094 A 3/1993 Tillery et al. 379/91
5,216,613 A 6/1993 Head, III 369/275.2
5,217,224 A 6/1993 Sincock 273/138 A
5,224,706 A 7/1993 Bridgeman et al.
5,242,163 A 9/1993 Fulton 273/85 CP
5,249,800 A 10/1993 Hilgendorf et al. 273/138 A
5,257,179 A 10/1993 DeMar 364/410
5,265,874 A 11/1993 Dickinson et al. 273/138 A
5,275,400 A 1/1994 Weingardt et al. 273/85 CP
5,280,909 A 1/1994 Tracy 273/138 A
5,286,023 A 2/1994 Wood
5,287,269 A 2/1994 Dorrough et al. 364/408
5,292,127 A 3/1994 Kelly et al. 273/138 A
5,321,241 A 6/1994 Craine
5,324,035 A 6/1994 Morris 273/138
5,326,104 A 7/1994 Pease et al. 273/138 A
5,332,219 A 7/1994 Marnell, II et al.
5,344,144 A 9/1994 Canon 273/138 A
5,345,379 A 9/1994 Brous et al. 364/146
5,351,970 A 10/1994 Fioretti
5,370,306 A 12/1994 Schulze et al. 273/138 A
5,370,399 A 12/1994 Liverance
5,371,345 A 12/1994 LeStrange et al. 235/380
5,398,932 A 3/1995 Eberhardt et al.
5,401,024 A 3/1995 Simunek
5,410,590 A 4/1995 Blood et al.
5,429,361 A * 7/1995 Raven et al. 273/138 A

5,470,079 A 11/1995 LeStrange et al. 273/138 A
5,472,194 A 12/1995 Breeding et al.
5,473,144 A 12/1995 Mathurin, Jr. 235/380
5,477,040 A 12/1995 Lalonde 235/380
5,488,411 A 1/1996 Lewis
5,494,287 A 2/1996 Manz 273/143
5,507,489 A 4/1996 Reibel et al.
5,511,781 A 4/1996 Wood et al.
5,524,888 A 6/1996 Heidel
5,533,727 A 7/1996 DeMar 463/23
5,536,016 A 7/1996 Thompson 273/269
5,542,669 A 8/1996 Charron et al.
5,550,359 A 8/1996 Bennett 235/382
5,551,692 A 9/1996 Pettitt et al. 273/143 R
5,559,312 A 9/1996 Lucero 235/380
5,564,700 A 10/1996 Celona 463/27
5,577,959 A 11/1996 Takemoto et al. 463/25
5,580,309 A * 12/1996 Piechowiak et al. 463/16
5,580,310 A 12/1996 Orus et al. 463/16
5,586,936 A 12/1996 Bennett 463/25
5,586,937 A 12/1996 Menashe
5,606,659 A 2/1997 Okada
5,611,730 A 3/1997 Weiss 463/20
5,651,057 A 7/1997 Blood et al.
5,655,961 A 8/1997 Acres et al. 463/27
5,668,950 A 9/1997 Kikuchi 395/200.47
5,674,128 A 10/1997 Holch et al. 463/42
5,702,304 A 12/1997 Acres et al. 463/29
5,722,891 A 3/1998 Inoue 463/20
5,741,183 A 4/1998 Acres et al. 463/42
5,743,523 A 4/1998 Kelly et al. 273/138.1
5,758,875 A 6/1998 Giacalone, Jr. 273/143 R
5,761,647 A 6/1998 Boushy 705/10
5,766,076 A 6/1998 Pease et al. 463/27
5,770,533 A 6/1998 Franchi 463/42
5,811,772 A 9/1998 Lucero 235/380
5,816,917 A 10/1998 Kelmer et al. 436/16
5,816,918 A 10/1998 Kelly et al. 463/16
5,820,459 A 10/1998 Acres et al. 463/25
5,833,540 A 11/1998 Miodunski et al. 463/42
5,836,817 A 11/1998 Acres et al. 463/26
5,839,956 A 11/1998 Takemoto 463/25
5,851,148 A 12/1998 Brune et al. 463/25
5,851,149 A 12/1998 Xidos et al. 463/42
5,854,542 A 12/1998 Forbes 315/291
5,902,983 A 5/1999 Crevelt et al. 235/380
5,919,091 A 7/1999 Bell et al. 463/25
6,012,982 A 1/2000 Piechowiak 463/16
6,039,648 A 3/2000 Guinn et al. 463/16
6,048,269 A 4/2000 Burns et al. 463/25
6,077,162 A 6/2000 Weiss 463/26

FOREIGN PATENT DOCUMENTS

AU 647234 * 7/1992 273/138 A
AU B 10488/92 7/1992
AU B 13023/92 9/1992
AU B-20986/92 * 1/1993 A63F/9/24
AU 21618/95 1/1996
AU A 48323/97 6/1998
GB 2151054 A * 7/1985 A63F/3/06
GB 2 151 054 A 7/1985
GB 2 211 975 A 7/1989
WO WO 94/12256 6/1994
WO WO 95/22811 8/1995
WO WO 95/30944 11/1995
WO WO 98/35309 8/1998
WO WO 98/40140 9/1998

OTHER PUBLICATIONS

Expert Report of Michael J. Bennett Pursuant to Fed. R. Civ. P. 26(A)(2) (sic), Feb. 1999.

- Expert Report of Michael J. Bennett Pursuant to Fed. R. Civ. p. 26(A)(2), Jul. 1999.
- Expert Witness Report of Leroy A. Prohofsky, Feb. 1999.
- Expert Witness Report of Leroy A. Prohofsky, Jun. 1999.
- Supplement to Expert Witness Reports of Leroy A. Prohofsky, Jun. 1999.
- Second Supplement to Expert Witness Reports of Leroy A. Prohofsky, Sep. 1999.
- Rebuttal Statement by Expert Witness William K. Bertram, Ph.D., Mar. 1999.
- Rebuttal Statement by Expert Witness John F. Acres, Jul. 1999.
- Rebuttal Statement by Expert Witness William K. Bertram, Ph.D., Jul. 1999.
- Expert Witness Report of R. Franklin Burnett, Jun. 1999.
- Rebuttal Statement by Expert Witness Thomas F. Smegal, Jr., Jul. 1999.
- R. Stäuble, MPL 4215 Interface, Oct. 1991, pp. 1–16.
- BYTE, Hardware/Software Showcase, Dec. 1992, p. 308.
- Inder S. Gopal and Adrian Segall, IEEE Transactions on Communications, “Dynamic Address Assignment in Broadcast Networks,” Jan. 1986, vol. Com–34, No. 1, pp. 32–37.
- Fred Swainston, A Systems Approach to Programmable Controllers, 1992, pp. ix–226.
- Casino Data Systems and Sunset Station Hotel & Casino’s (“CDS”) Motion for Summary Judgment of Invalidity of U.S. Pat. No. 5,752,882.
- CDS’ Memorandum of Points and Authorities in Support of CDS’ Motion for summary Judgment of Invalidity of U.S. Pat. No. 5,752,882 Filed In Camera.
- CDS’ Supplemental Brief Regarding CDS’ First Motion for Summary Judgment of Invalidity.
- CDS’ Reply Memorandum in Support of CDS’ Motion for Summary Judgment of Invalidity of U.S. Pat. No. 5,752,882.
- Casino Data Systems and Sunset Hotel & Casino’s Evidence in Support of CDS’ Motion for Summary Judgment of Invalidity and Opposition to Acres’ Motion for Preliminary Injunction (“CDS Exhibits”) [Filed In Camera—Subject to Protective Order], including Exhibit T, of Acres Gaming Incorporated Form SB–2 filed with the Securities and Exchange Commission on Sep. 20, 1993.
- Acres’ Response to the Proposed Findings of Fact of Casino Data Systems Regarding CDS’ Motion for Summary Judgment of Invalidity;
- Acres Gaming, Inc.’s Opposition to Casino Data Systems’ and Sunset Station Hotel and Casino’s Motion for Summary Judgment.
- Acres Gaming, Inc.’s Supplement to its Opposition to Casino Data Systems’ and Sunset Station Hotel and Casino’s Motion for Summary Judgment.
- Acres Gaming, Inc.’s Second Supplement to its Opposition to Casino Data Systems’ and Sunset Station Hotel and Casino’s Motion for Summary Judgment.
- Acres Gaming, Inc.’s Third Supplement to its Opposition to Casino Data System’s and Sunset Station Hotel and Casino’s Motion for Summary Judgment.
- Expert Report of W. Alan Jorgensen Pursuant to Federal Rule of Civil Procedure 26(a)(2).
- Expert Report of Samuel Wolff Pursuant to Federal Rule of Civil Procedure 26(a)(2).
- Transcript of Motion for Summary Judgment of Invalidity of U.S. Pat. No. 5,752,882 Before the Honorable Howard D. McKibben on Jan. 19, 1999.
- Deposition of Disclosure, Inc. and Exhibits.
- Additional Exhibits to deposition of Disclosure, Inc.
- CDS’s Third Motion and Memorandum of Points and Authorities in Support of CDS’ Motion for Summary Judgment of Invalidity of U.S. Pat. No. 5,752,882 (On–Sale Bar).
- Exhibits in Support of CDS’ Third Motion and Memorandum of Points and Authorities in Support of CDS’ Motion for Summary Judgment of Invalidity of U.S. Pat. No. 5,752,882 (On–Sale Bar).
- Acres Gaming’s Opposition to CDS’s Third Motion for Summary Judgment of Invalidity of U.S. Pat. No. 5,752,882 (On–Sale Bar).
- Deposition of Jose Vega Dated Jan. 25, 1999 with Exhibit Nos. 191, 193, 194, 195, 197, 198.
- CDS Motion and Memorandum of Points and Authorities in Support of CDS’ Motion for Summary Judgment of Invalidity of U.S. Pat. No. 5,752,882 (On–Sale Bar) [Filed Under Seal—Subject to Protective Order].
- Proposed Findings of Facts in Support of CDS’s Memorandum of Points and Authorities in Support of CDS’ Third Motion for Summary Judgment of Invalidity of U.S. Pat. No. 5,752,882 (On–Sale Bar) [Filed Under Seal—Subject to Protective Order].
- Exhibits in Support of CDS’s Motion and Memorandum of Points and Authorities in Support of CDS’ Motion for Summary Judgment of Invalidity of U.S. Pat. No. 5,752,882 (On–Sale Bar), with Affidavit of Gregory C. Schodde [Filed Under Seal—Subject to Protective Order].
- Deposition of Derell M. Jones and Exhibits 618, 619 & 620.
- Deposition of John F. Acres and Exhibits 706 (color copies), 709 & 715.
- Acres’ Responses to CDS’s Proposed Findings of Fact Regarding CDS’ Motion for Summary Judgment of Invalidity of U.S. Pat. No. 5,752,882 (On–Sale Bar) [Filed Under Seal—Subject to Protective Order].
- CDS’ Reply Memorandum in Support of CDS’ Motion for Summary Judgment of Invalidity of U.S. Pat. No. 5,752,882 (On–Sale Bar) [Filed Under Seal—Subject to Protective Order].
- Acres Gaming’s Opposition to CDS’ Motion for Summary Judgment of Invalidity of U.S. Pat. No. 5,752,882 (On–Sale Bar) [Filed Under Seal—Subject to Protective Order].
- Acres’ Responses to Proposed Findings of Fact of Casino Data Systems Regarding CDS’ Motion for Summary Judgment of Invalidity of U.S. Pat. No. 5,836,817 (On–Sale Bar) [Filed Under Seal—Subject to Protective Order].
- CDS’ Reply Memorandum in Support of CDS’ Motion for Summary Judgment of Invalidity of U.S. Pat. No. 5,836,817 (On–Sale Bar) [Filed Under Seal—Subject to Protective Order].
- Proposed Findings of Facts in Support of CDS’ Memorandum of Points and Authorities in Support of CDS’ Third Motion for Summary Judgment of Invalidity of U.S. Pat. No. 5,836,871 (On–Sale Bar) [Filed Under Seal—Subject to Protective Order].
- CDS’ Motion and Memorandum of Point and Authorities in Support of CDS’ Motion for Summary Judgment of Invalidity of U.S. Pat. No. 5,836,817 (On–Sale Bar) [Filed Under Seal—Subject to Protective Order].
- Acres Gaming’s Opposition to CDS’ Motion for Summary Judgment of Invalidity of U.S. Pat. No. 5,836,817 (On–Sale Bar) [Filed Under Seal—Subject to Protective Order].
- Exhibits in Support of CDS’ Memorandum of Point and Authorities in Support of CDS’ Motion for Summary Judgment of Invalidity of U.S. Pat. No. 5,836,817 (On–Sale Bar) [Filed Under Seal—Subject to Protective Order].
- Jan. 1993 Product Catalog (Mikohn).
- 1989 Mikohn Super Controller Manual.

* cited by examiner

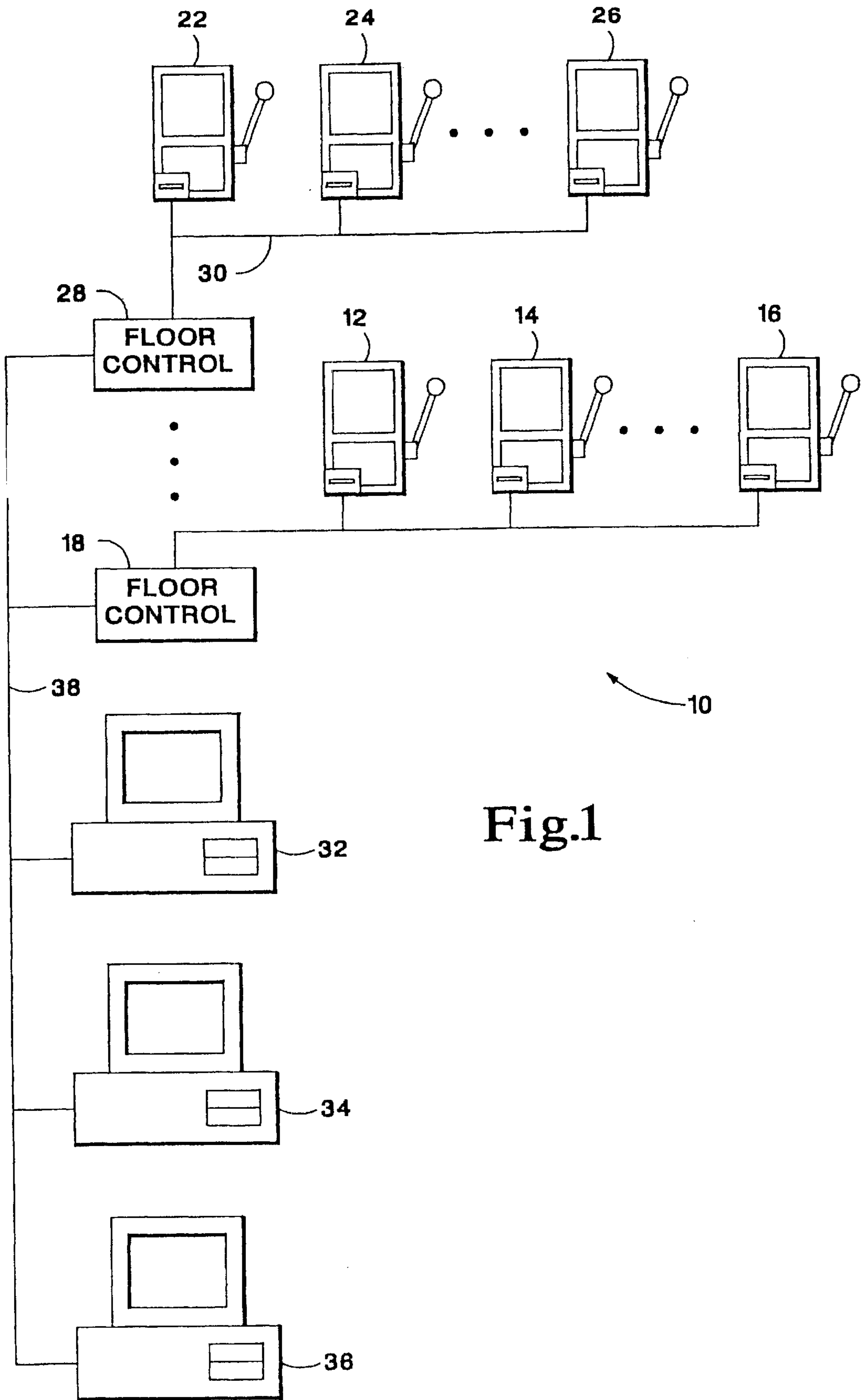


Fig.1

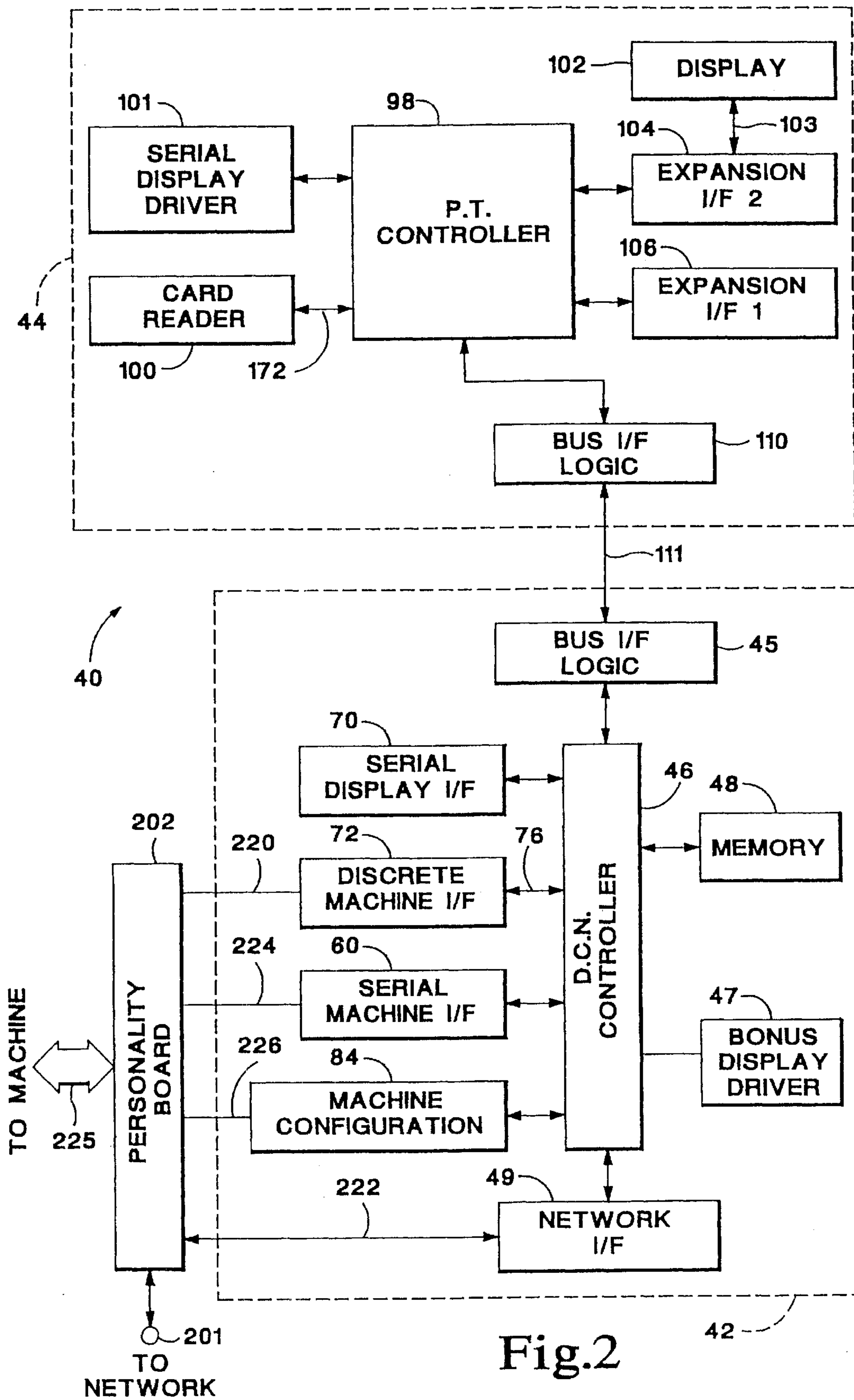
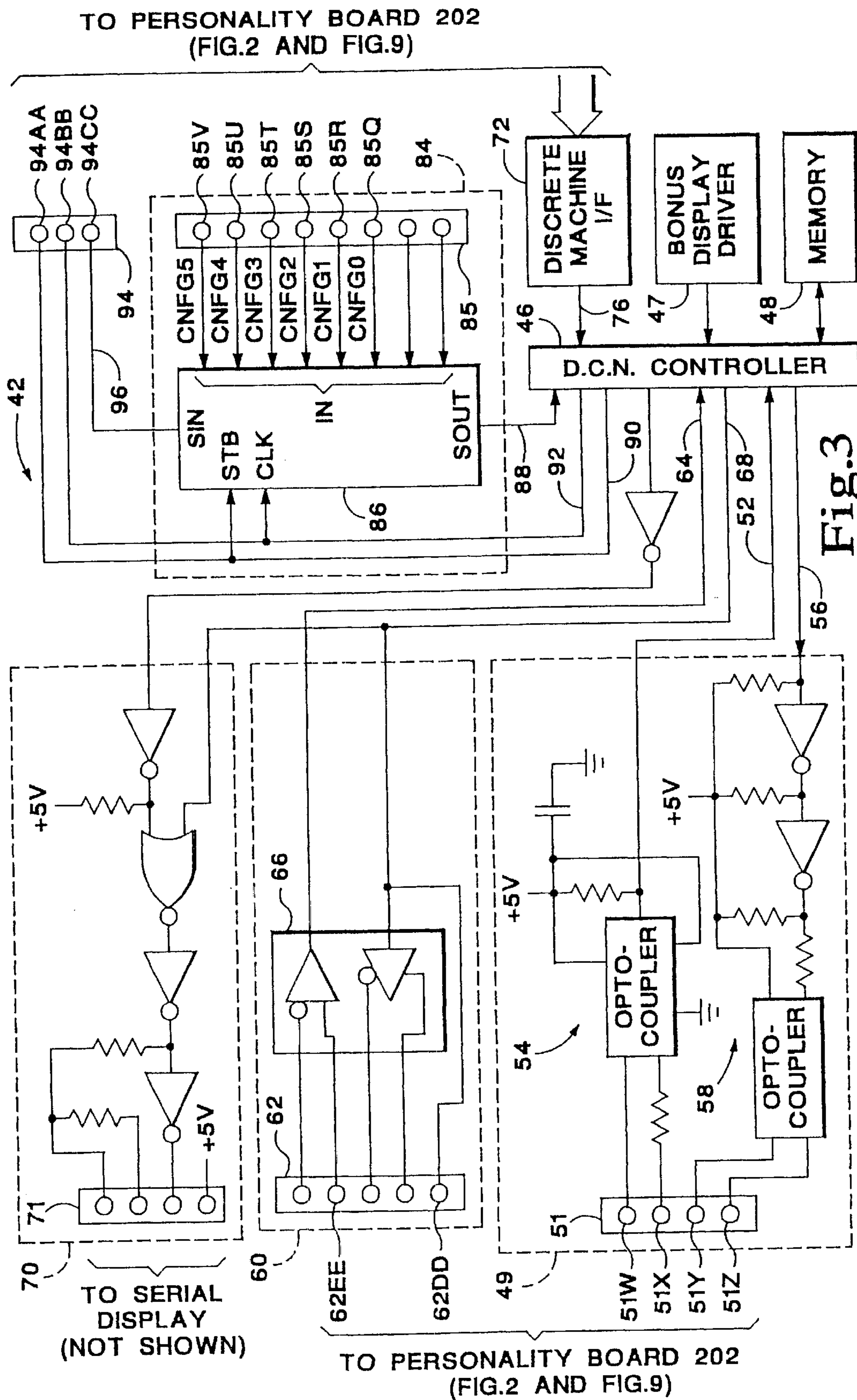


Fig.2



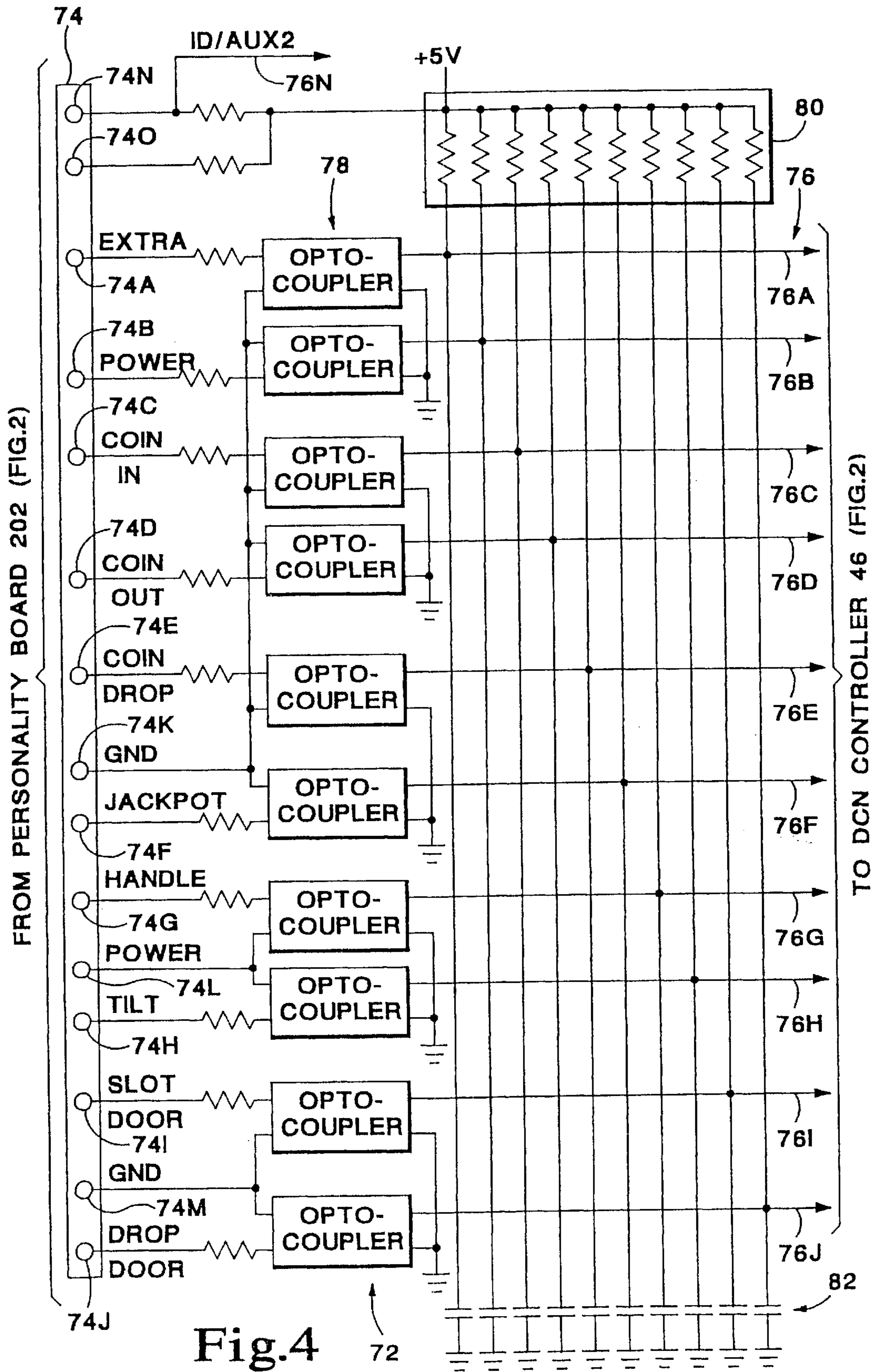


Fig.4

72

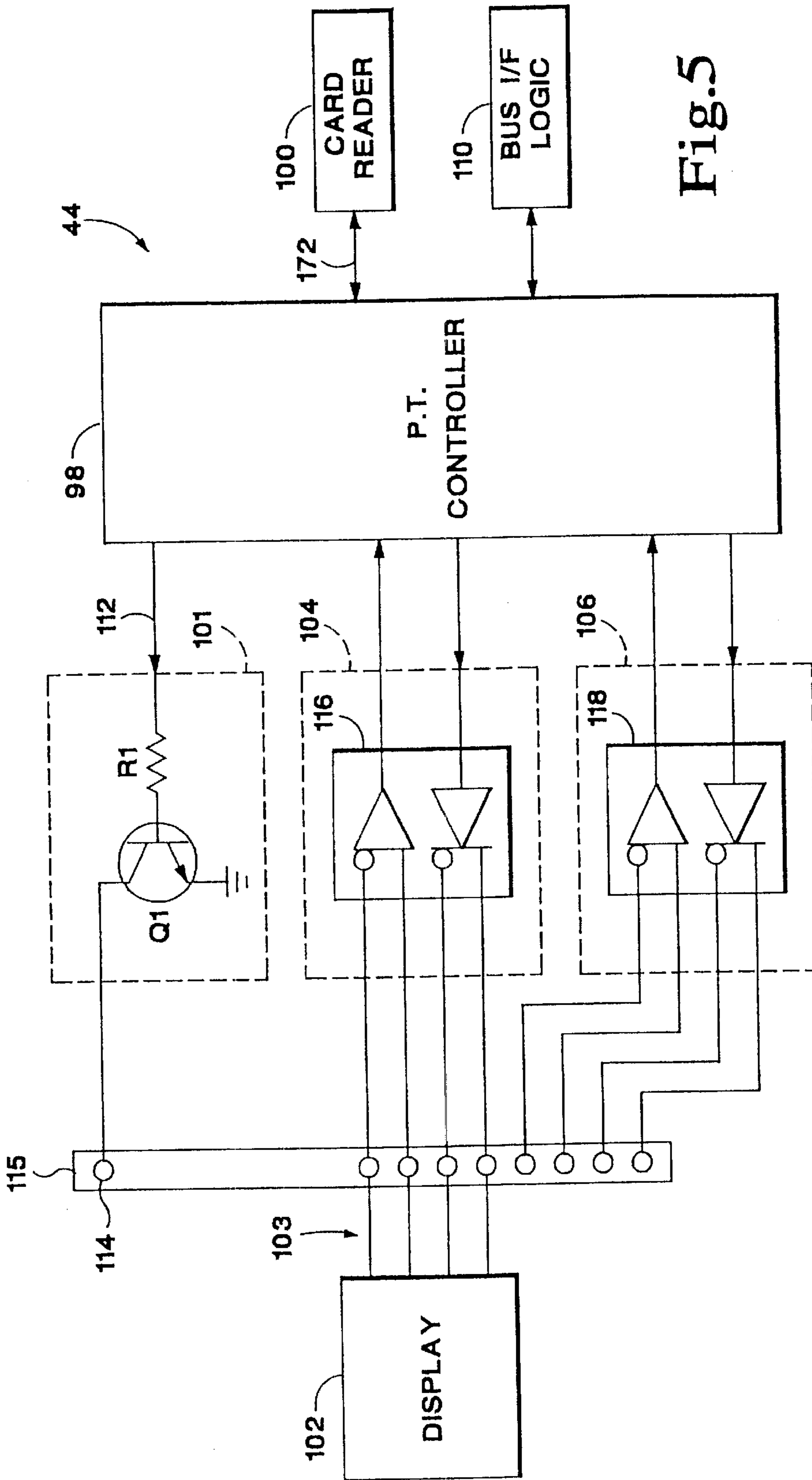


Fig. 5

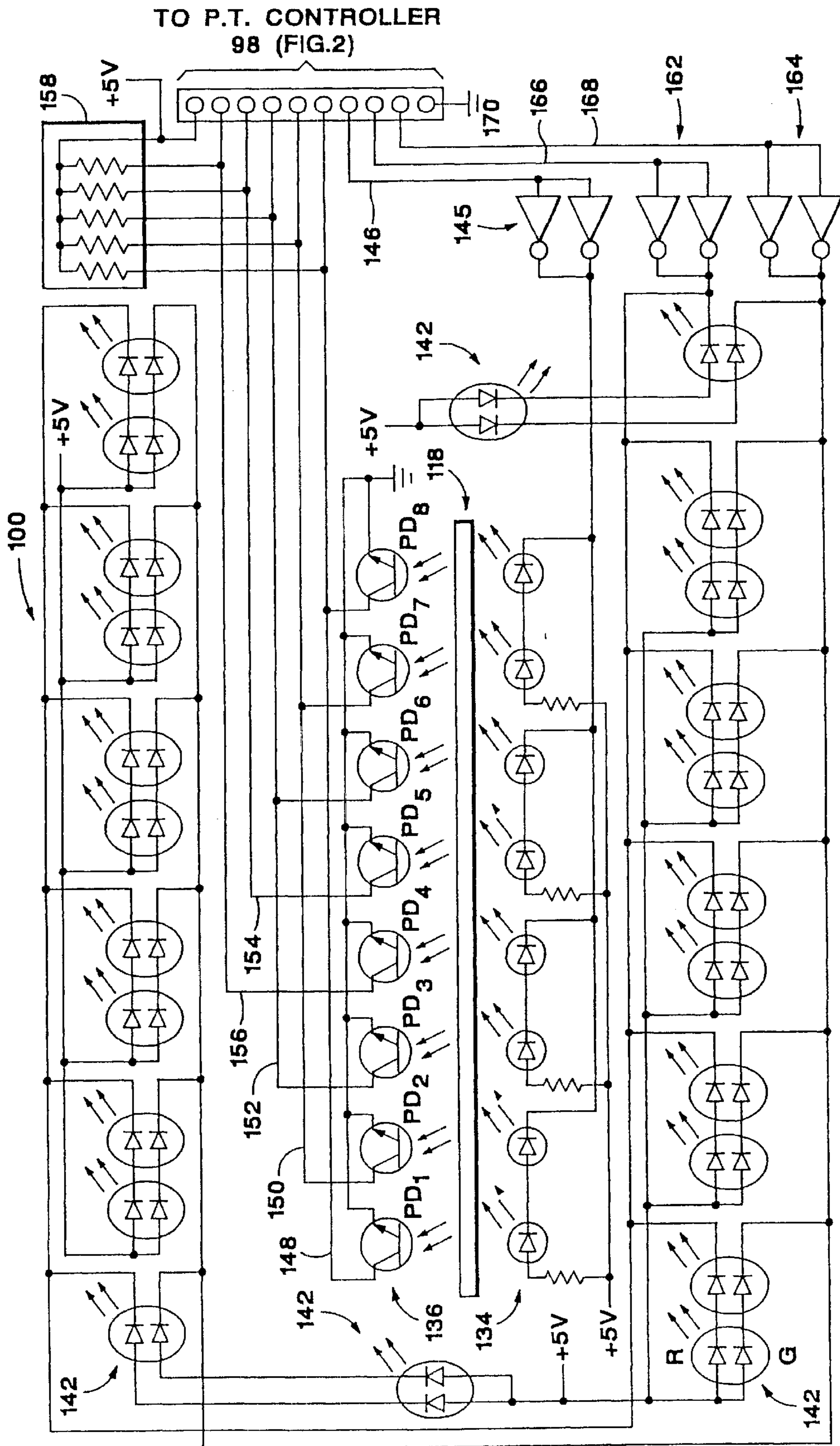


Fig.6

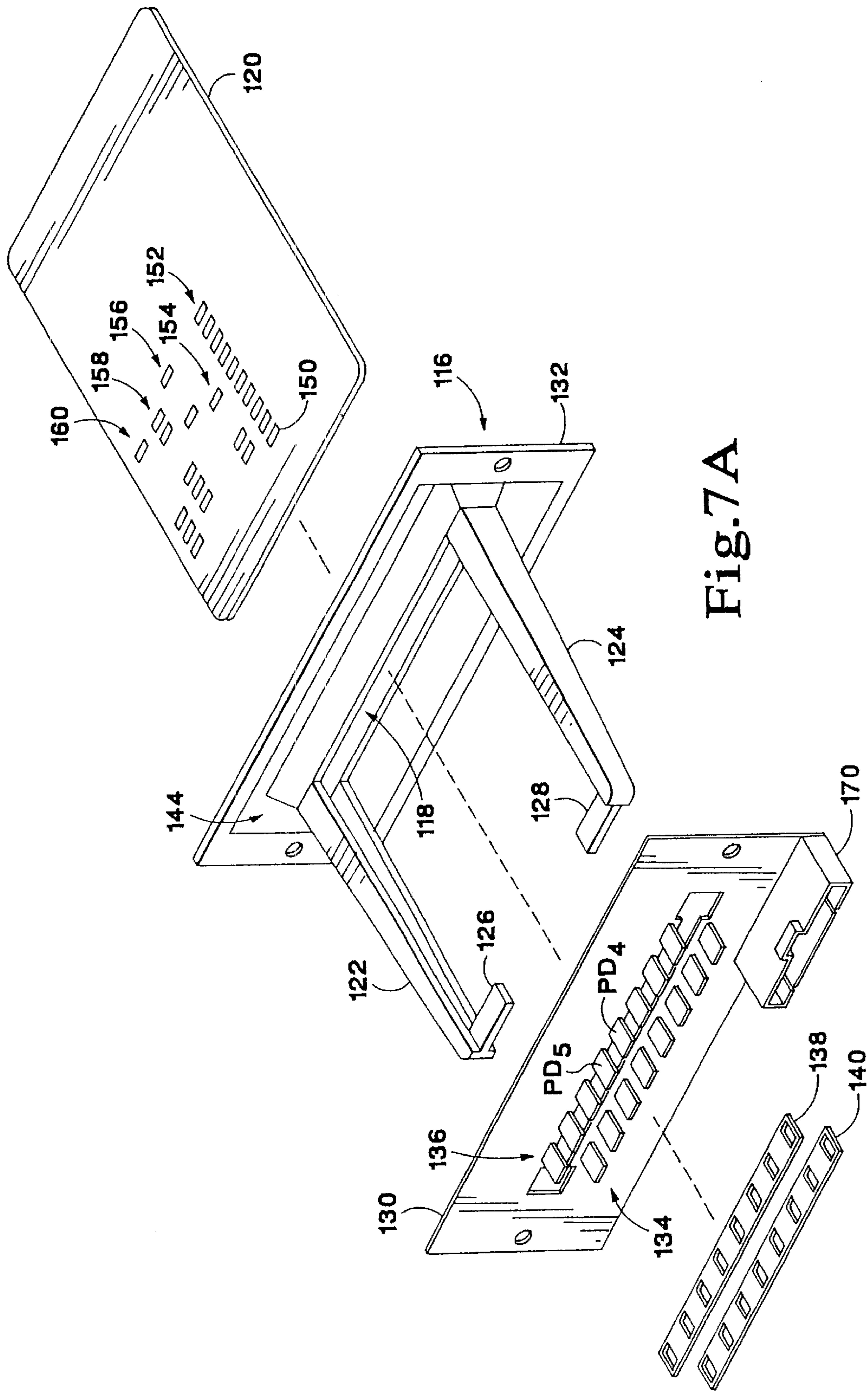


Fig. 7A

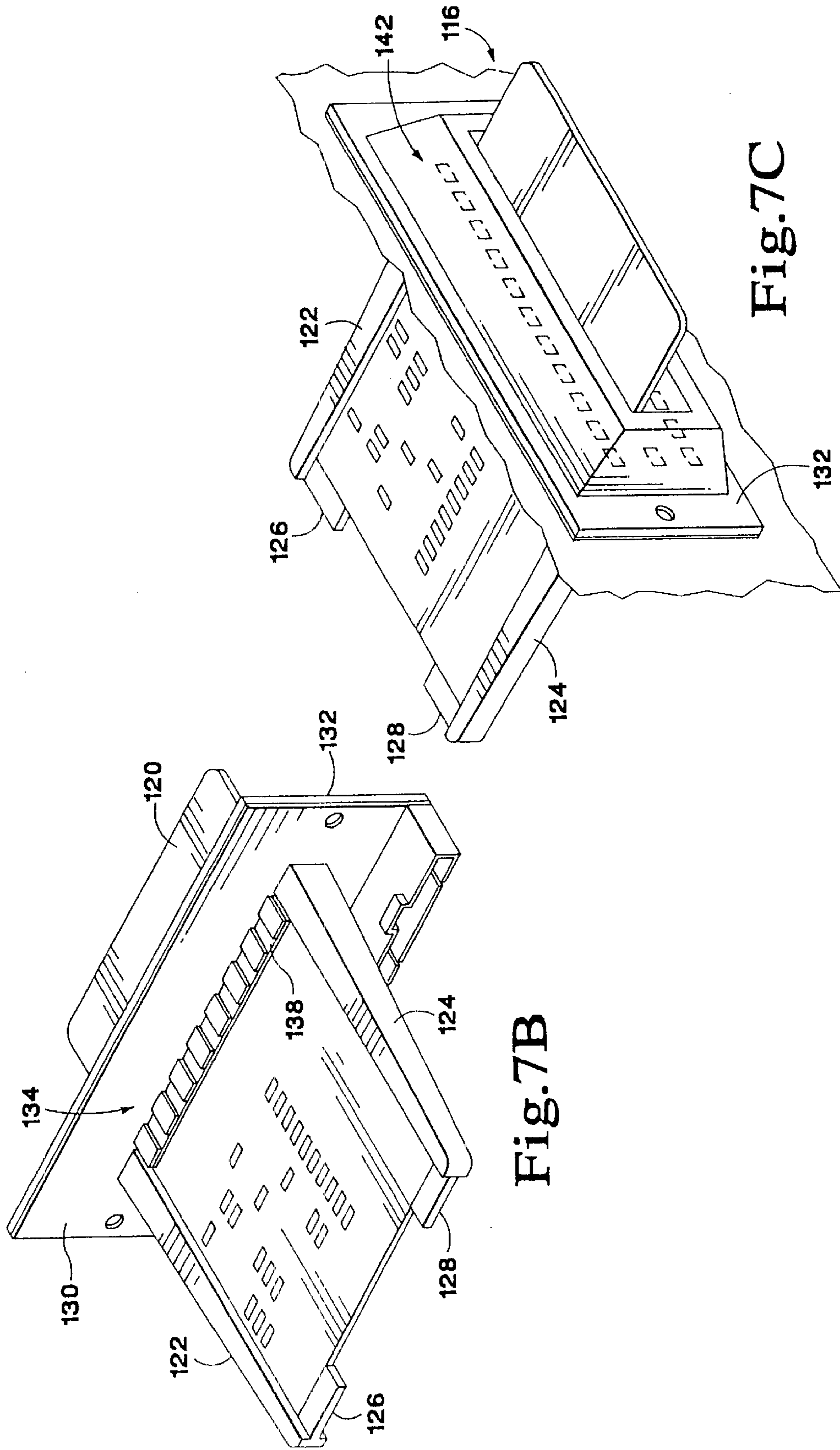


Fig. 7B

Fig. 7C

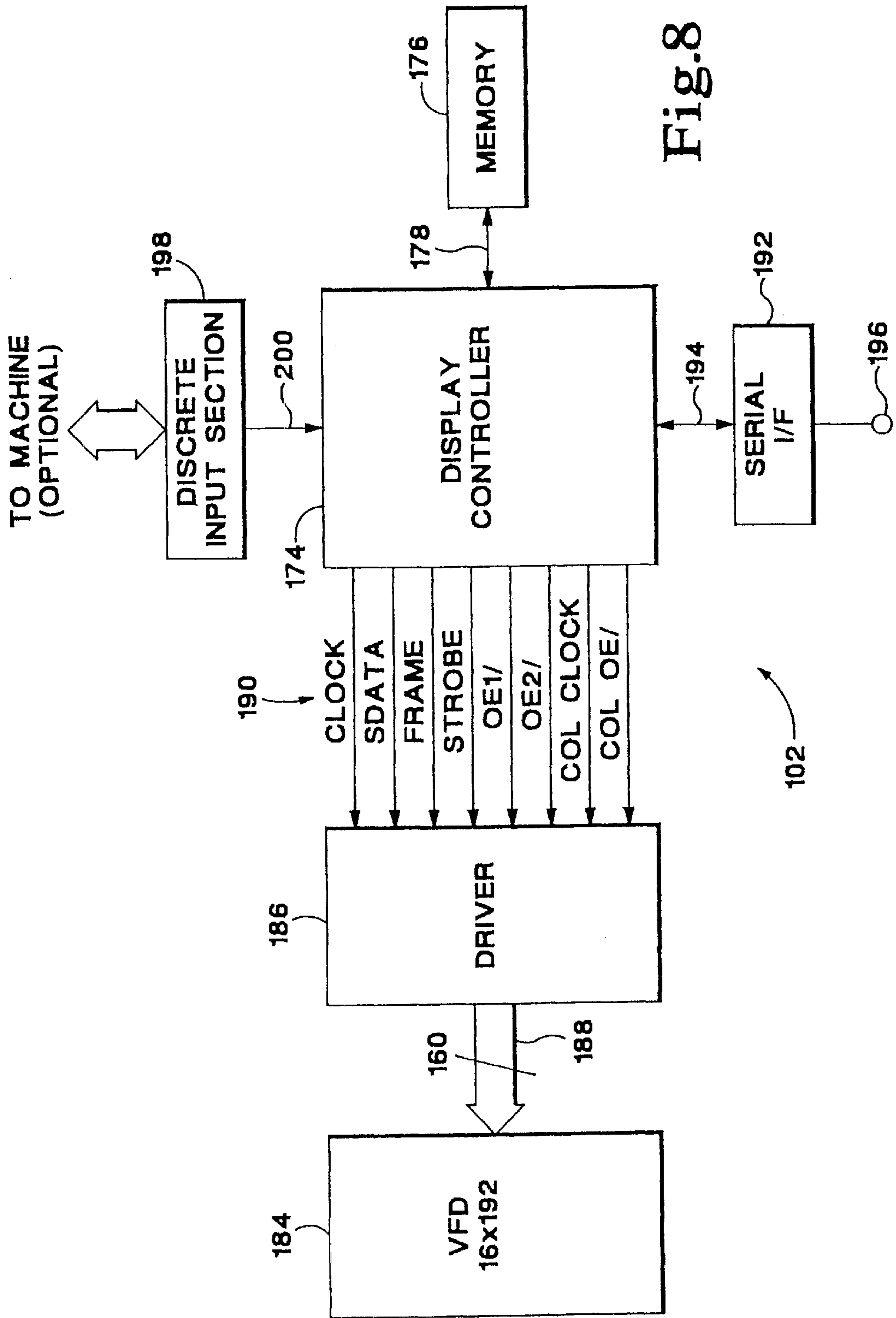


Fig.8

TO EXPANSION I/F 104
(FIG.2 AND FIG.5)

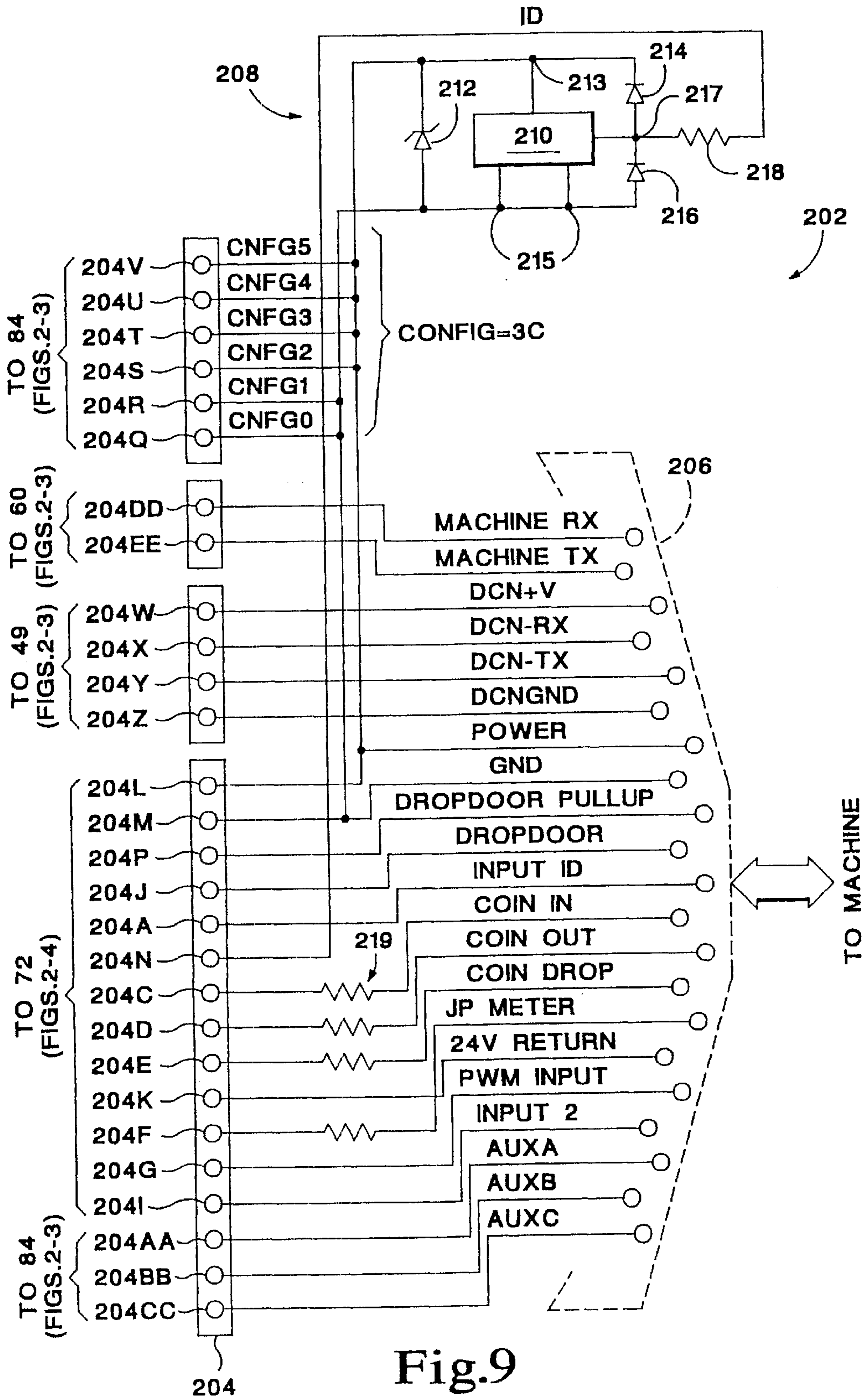


Fig.9

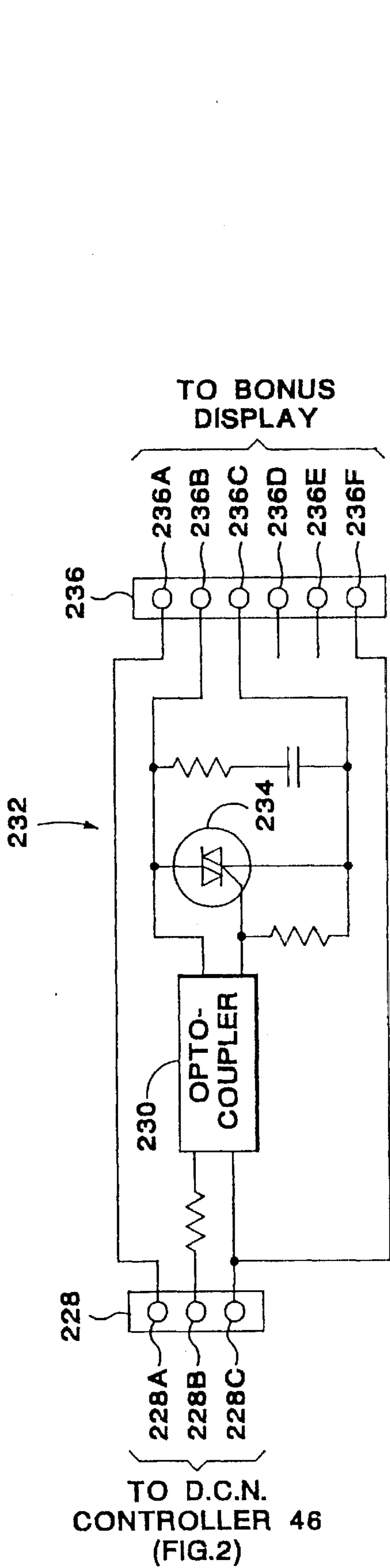


Fig.10

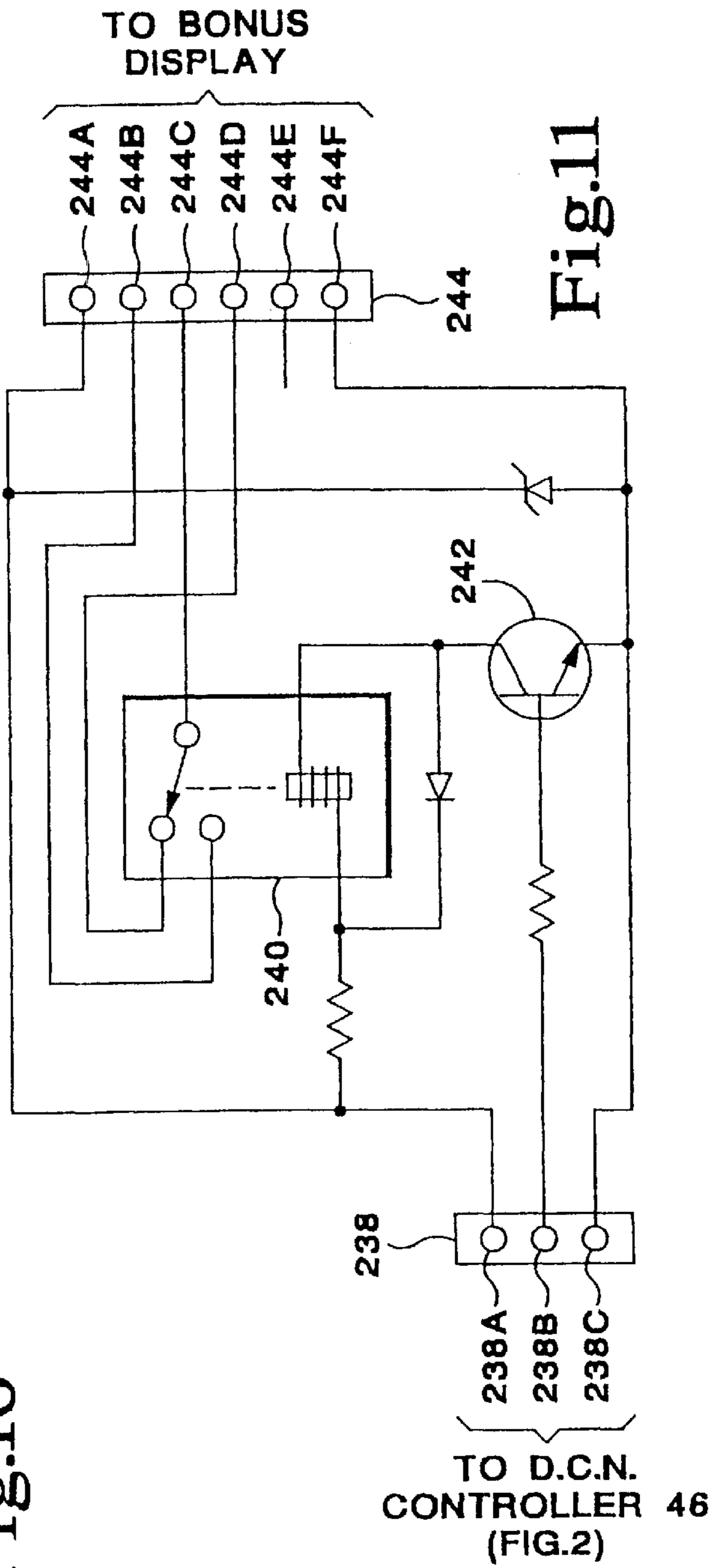


Fig.11

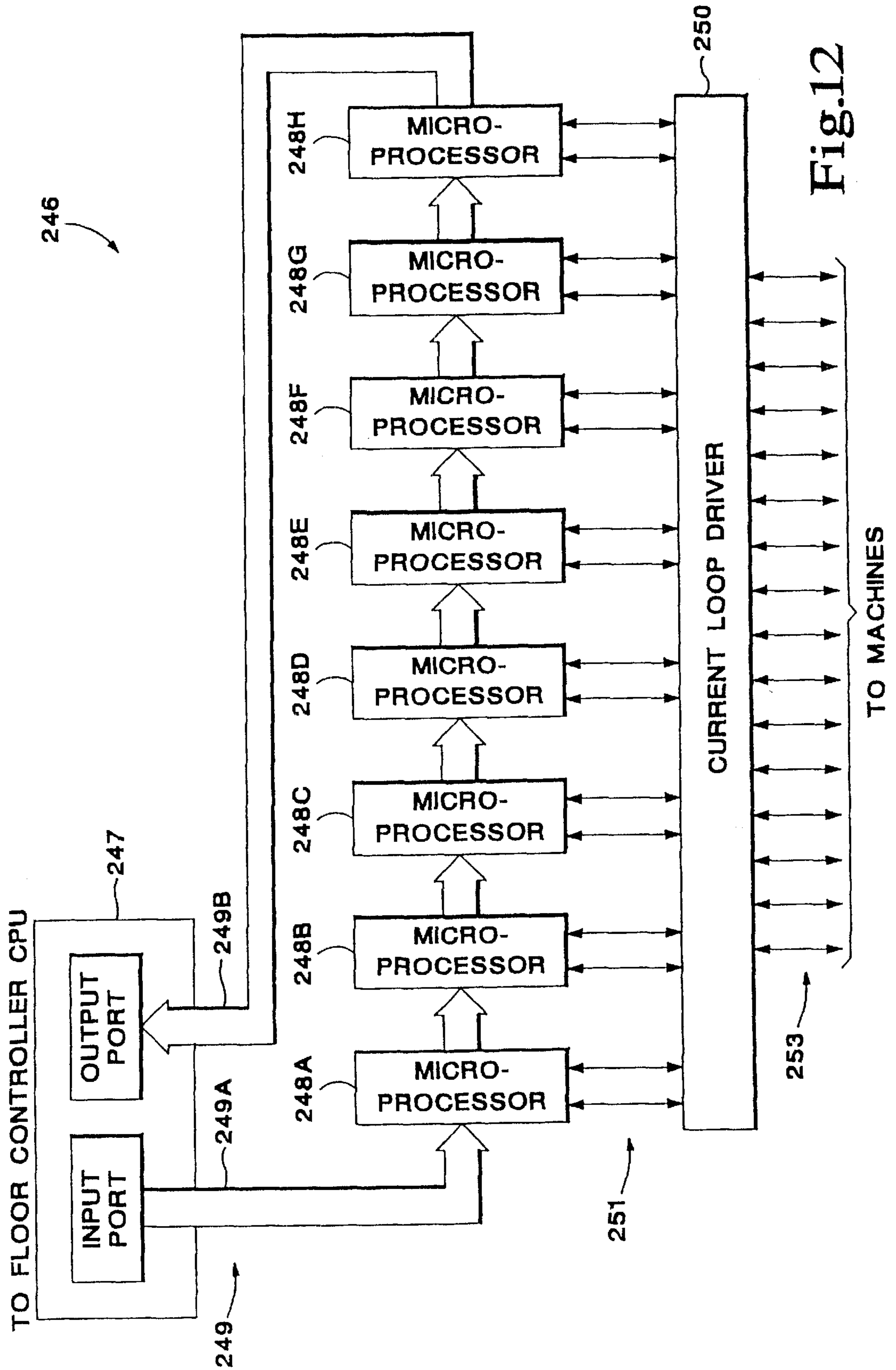


Fig.12

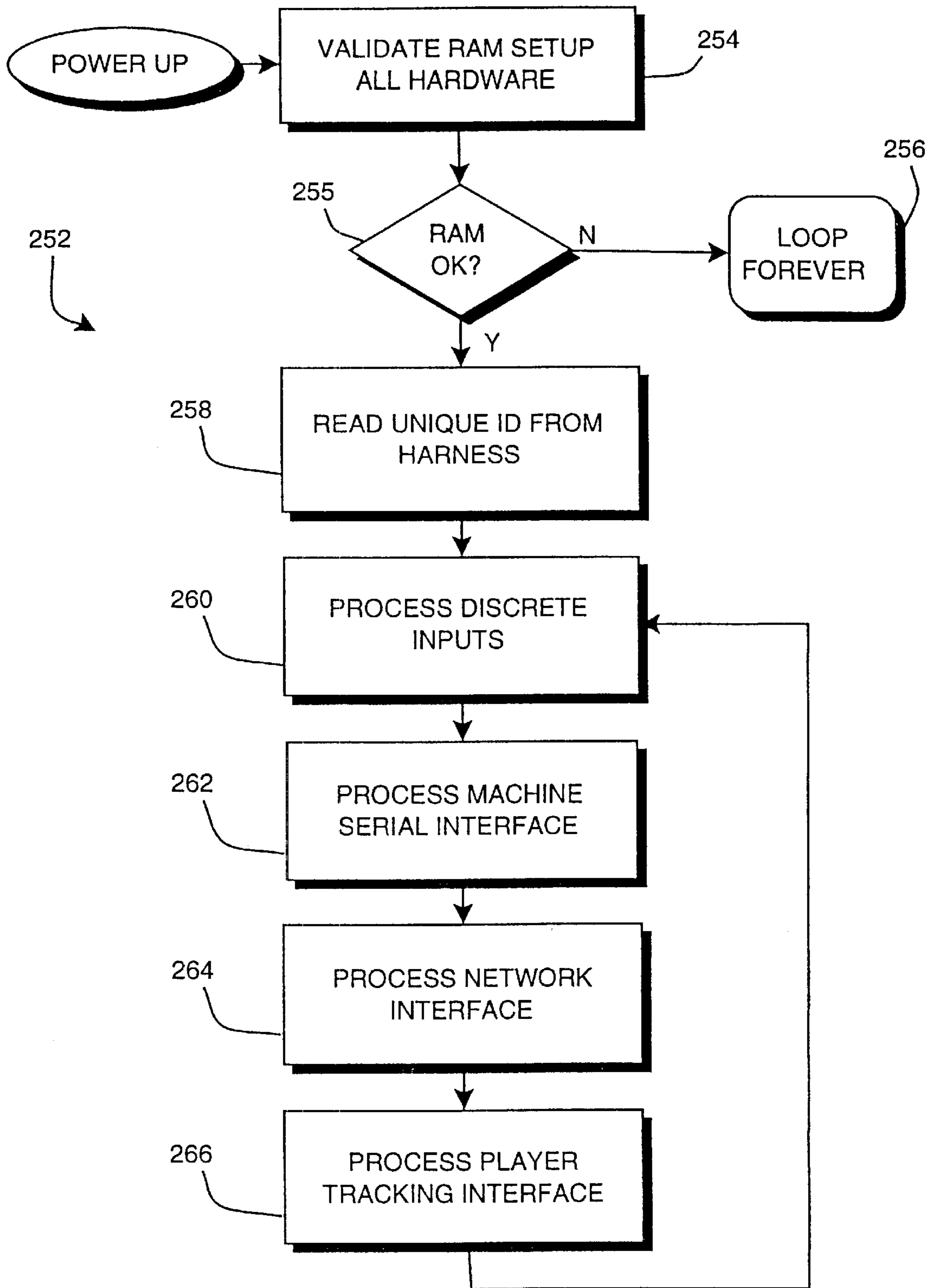


Fig.13

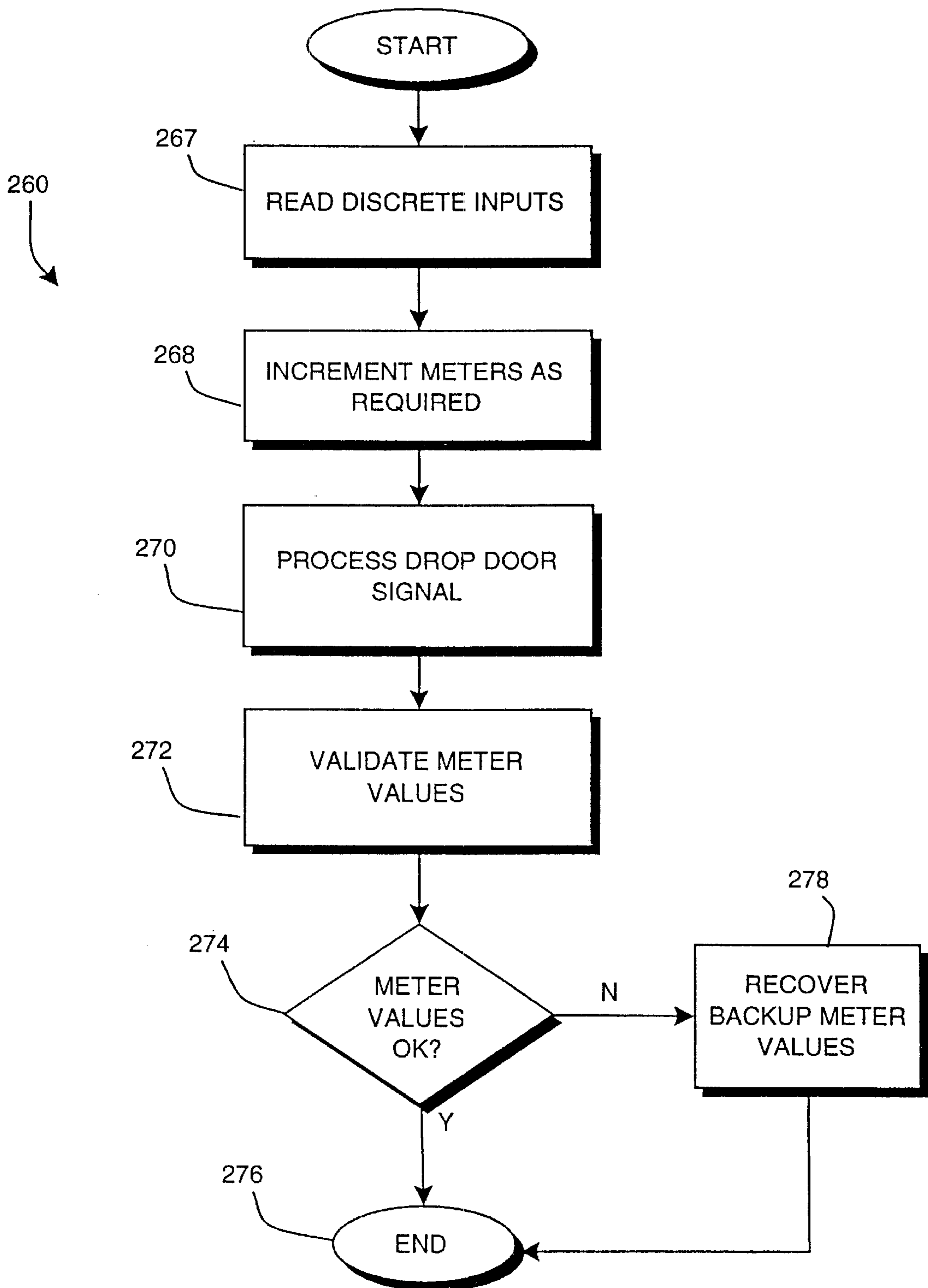


Fig.14

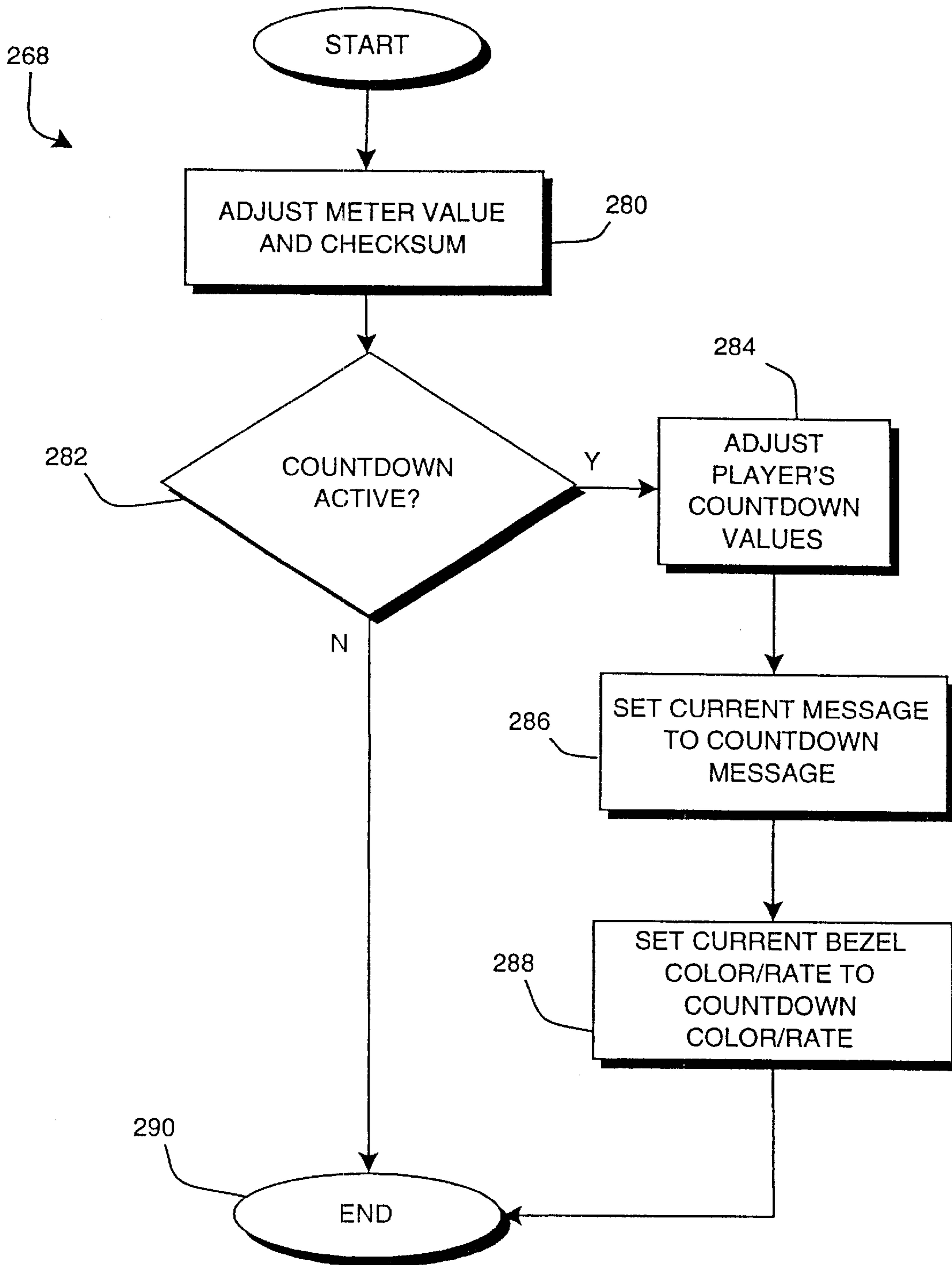


Fig.15

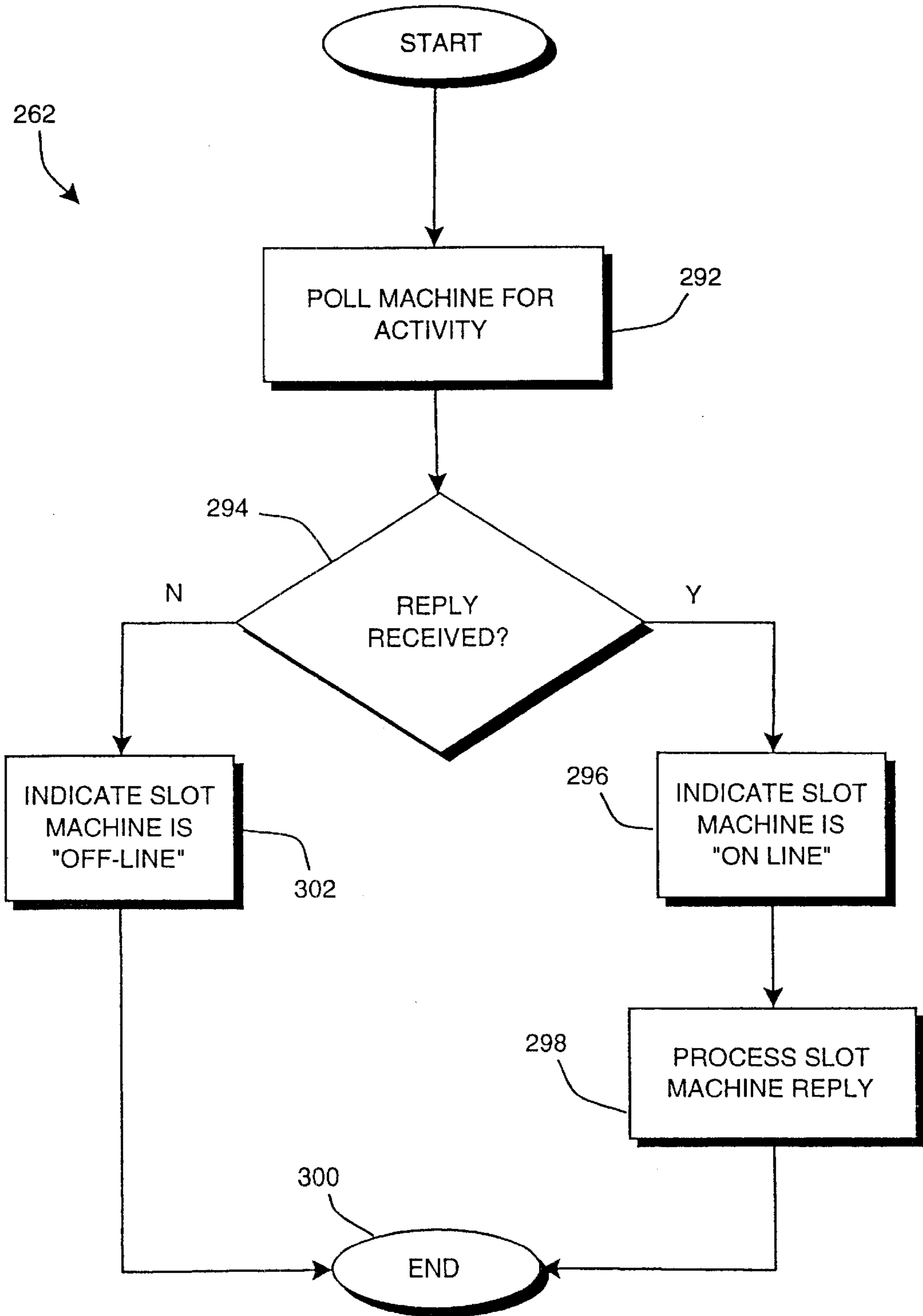


Fig.16

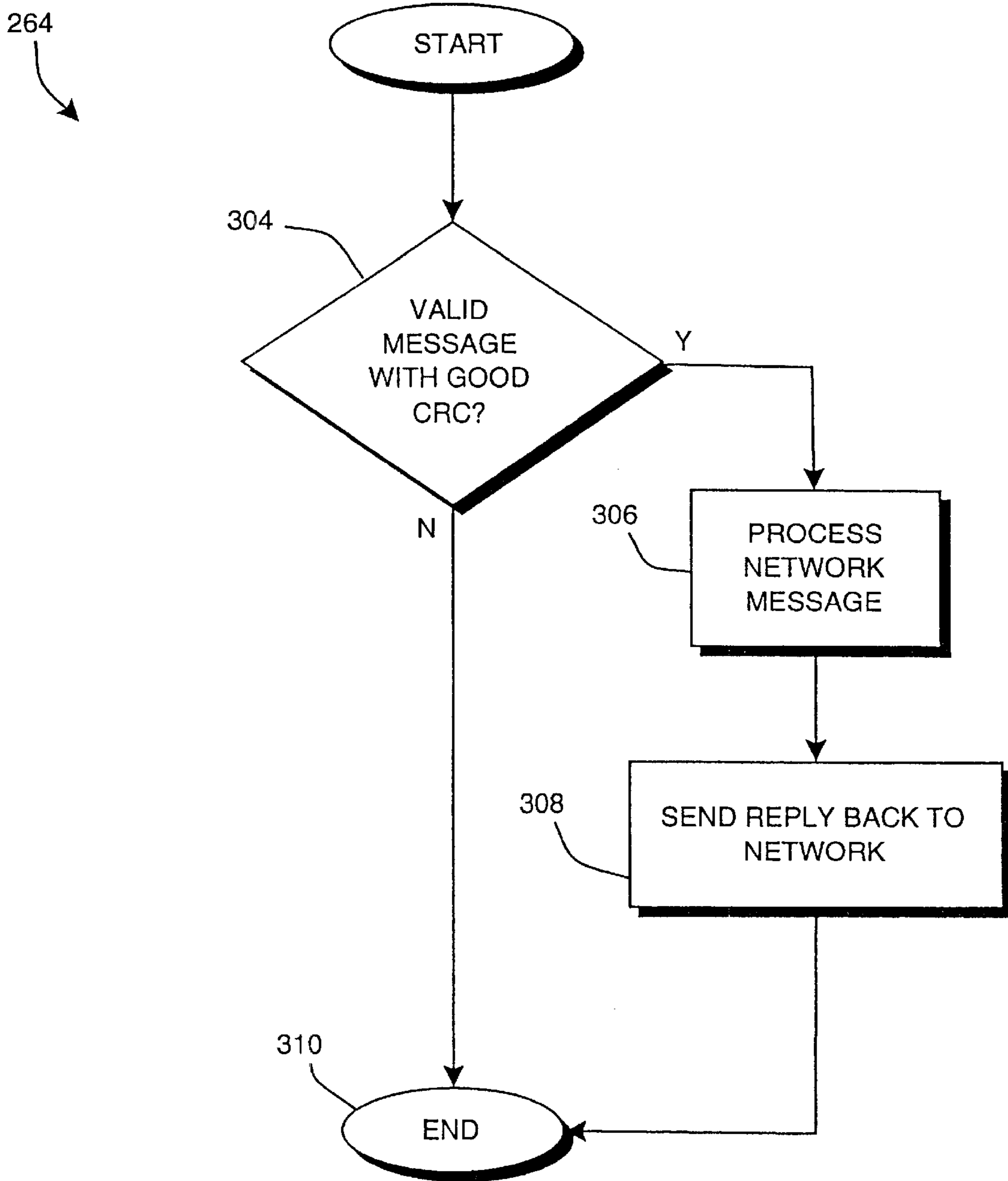


Fig.17

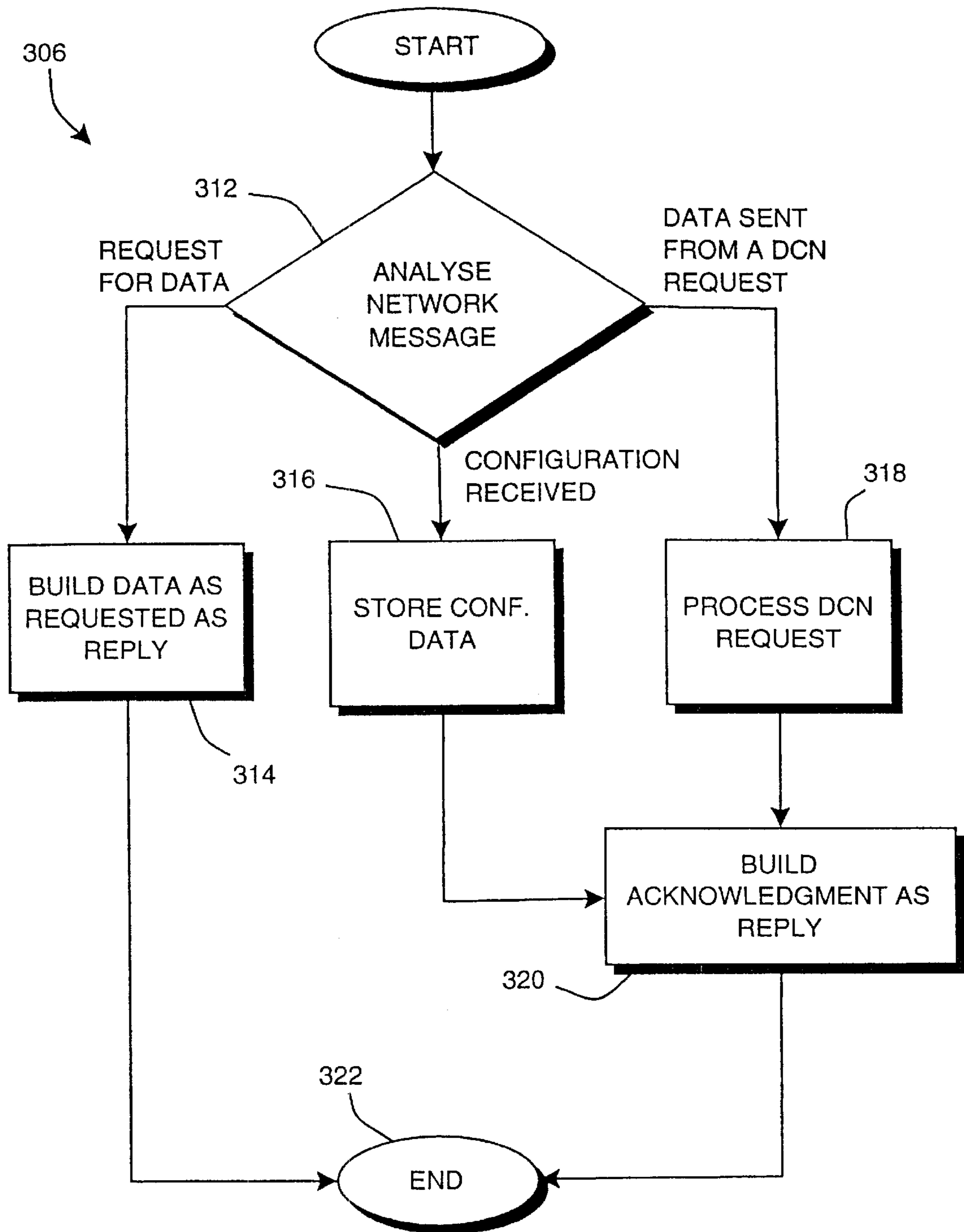


Fig.18

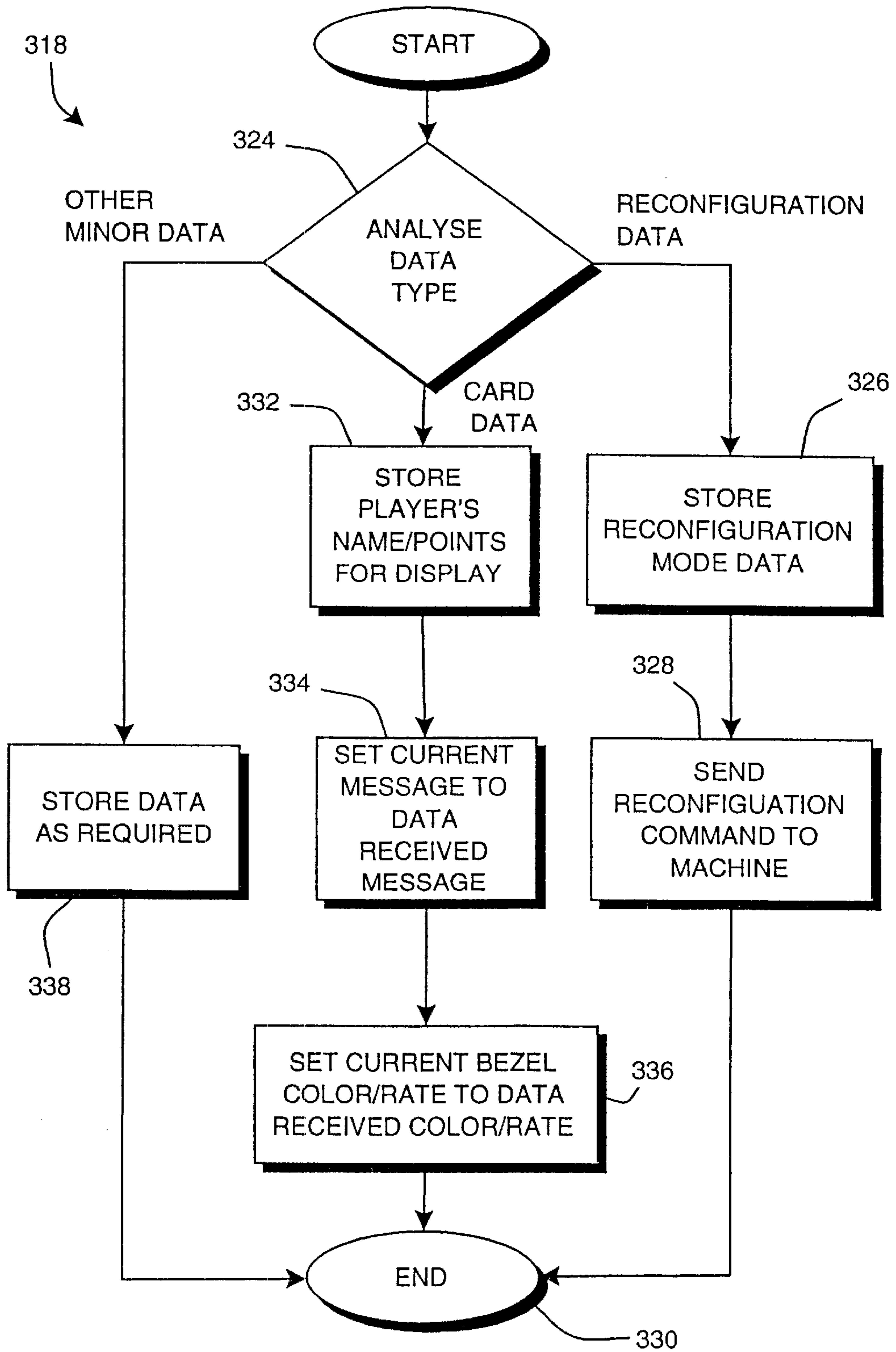


Fig.19

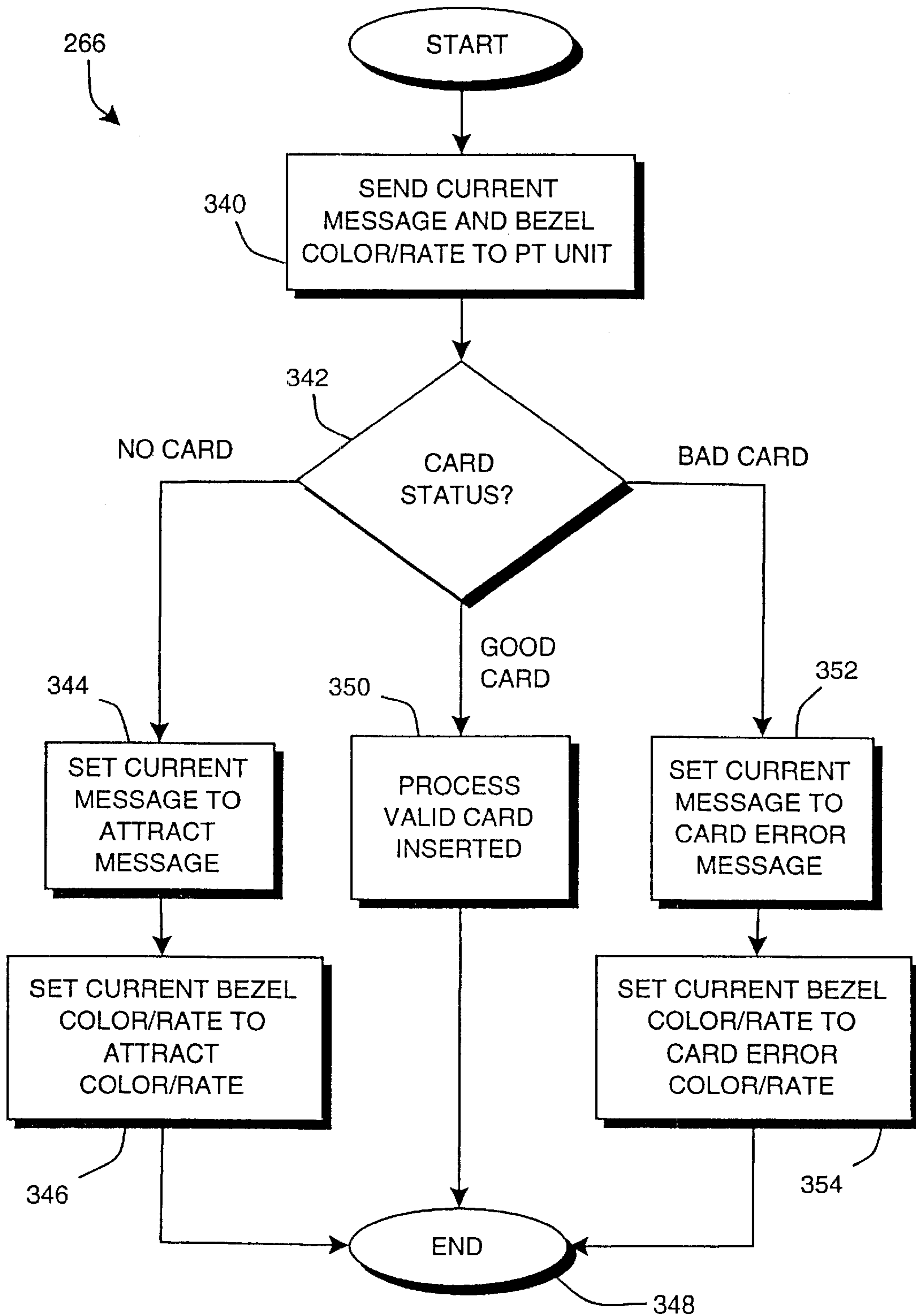


Fig.20

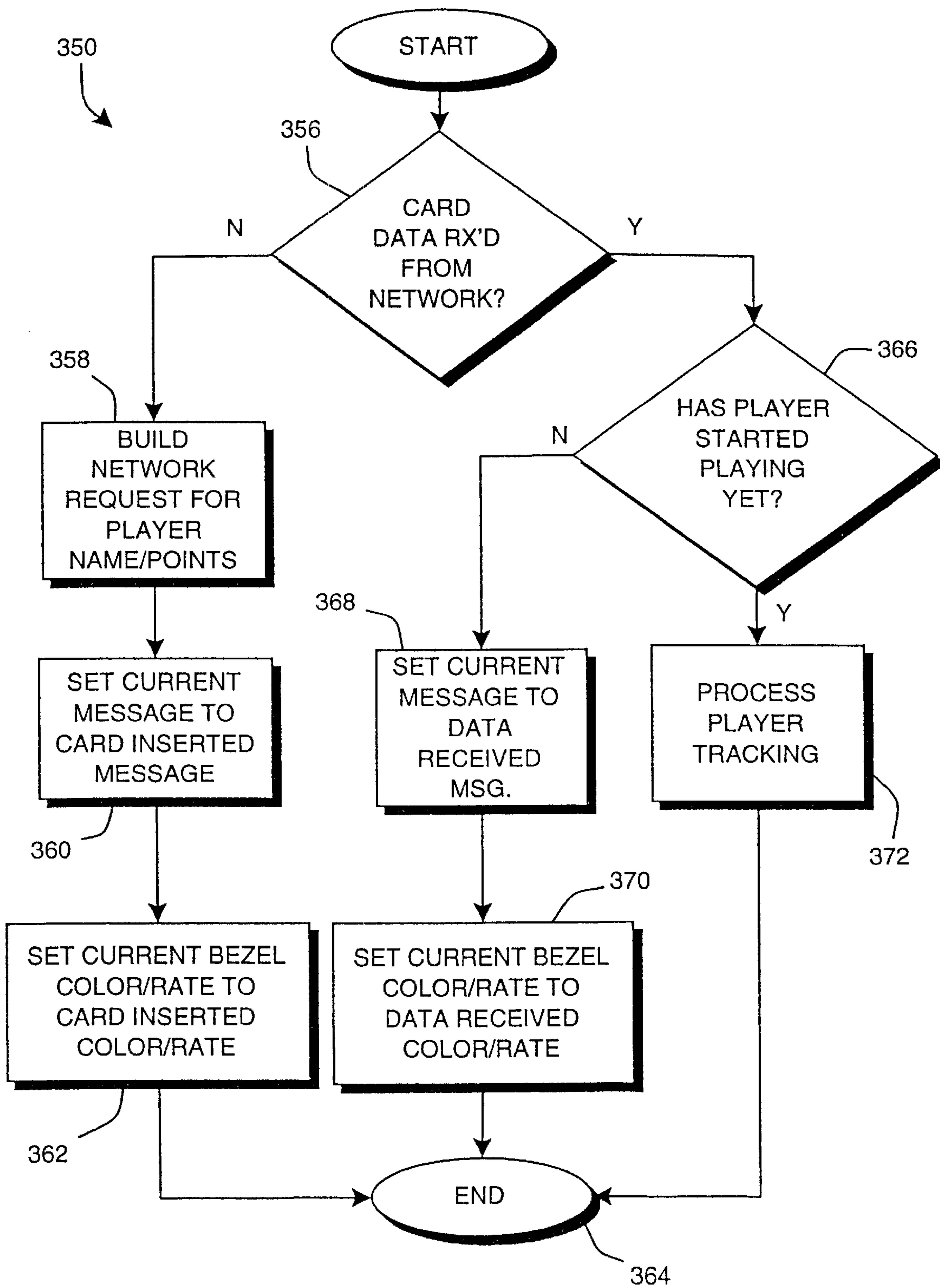


Fig.21

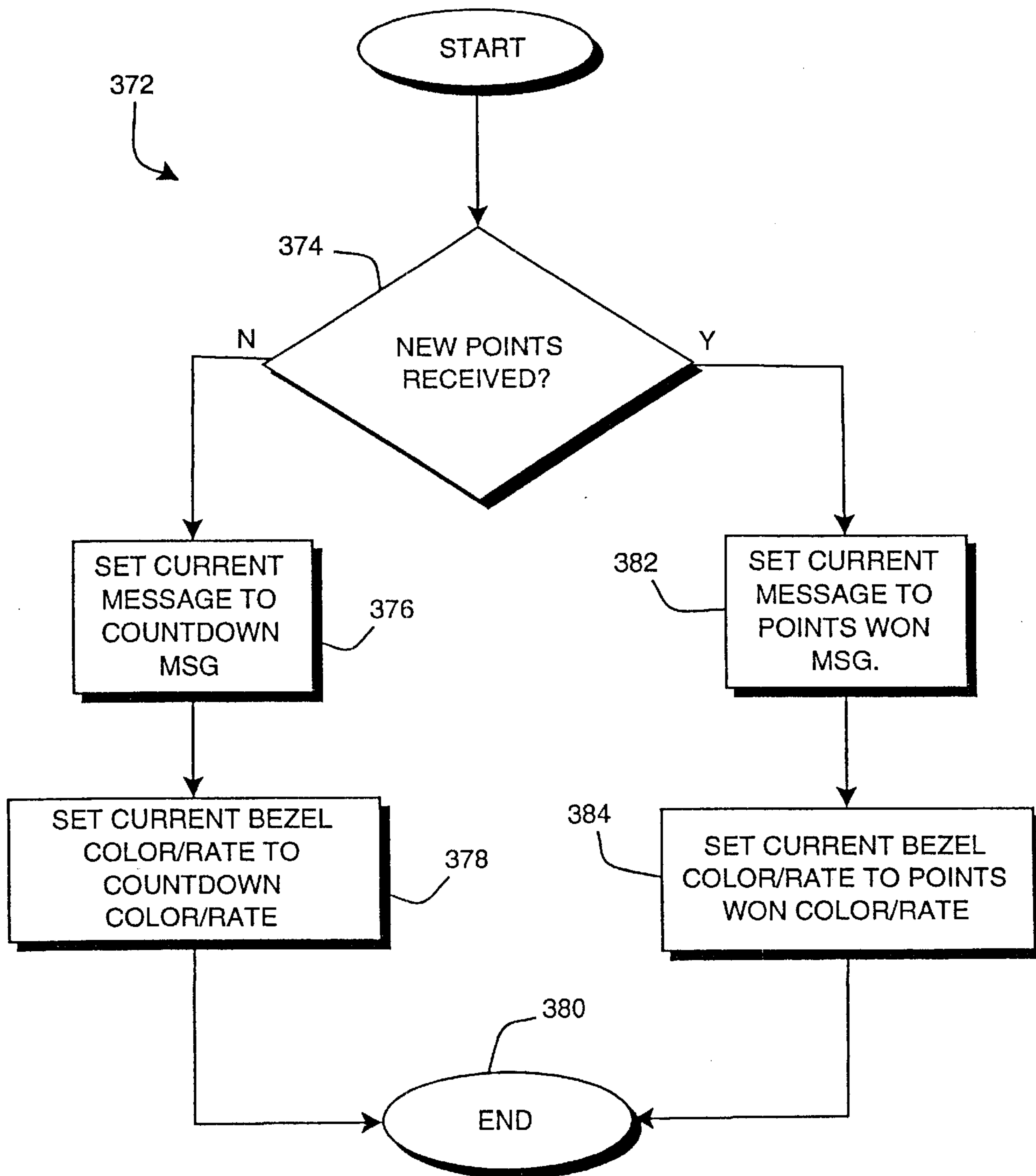


Fig.22

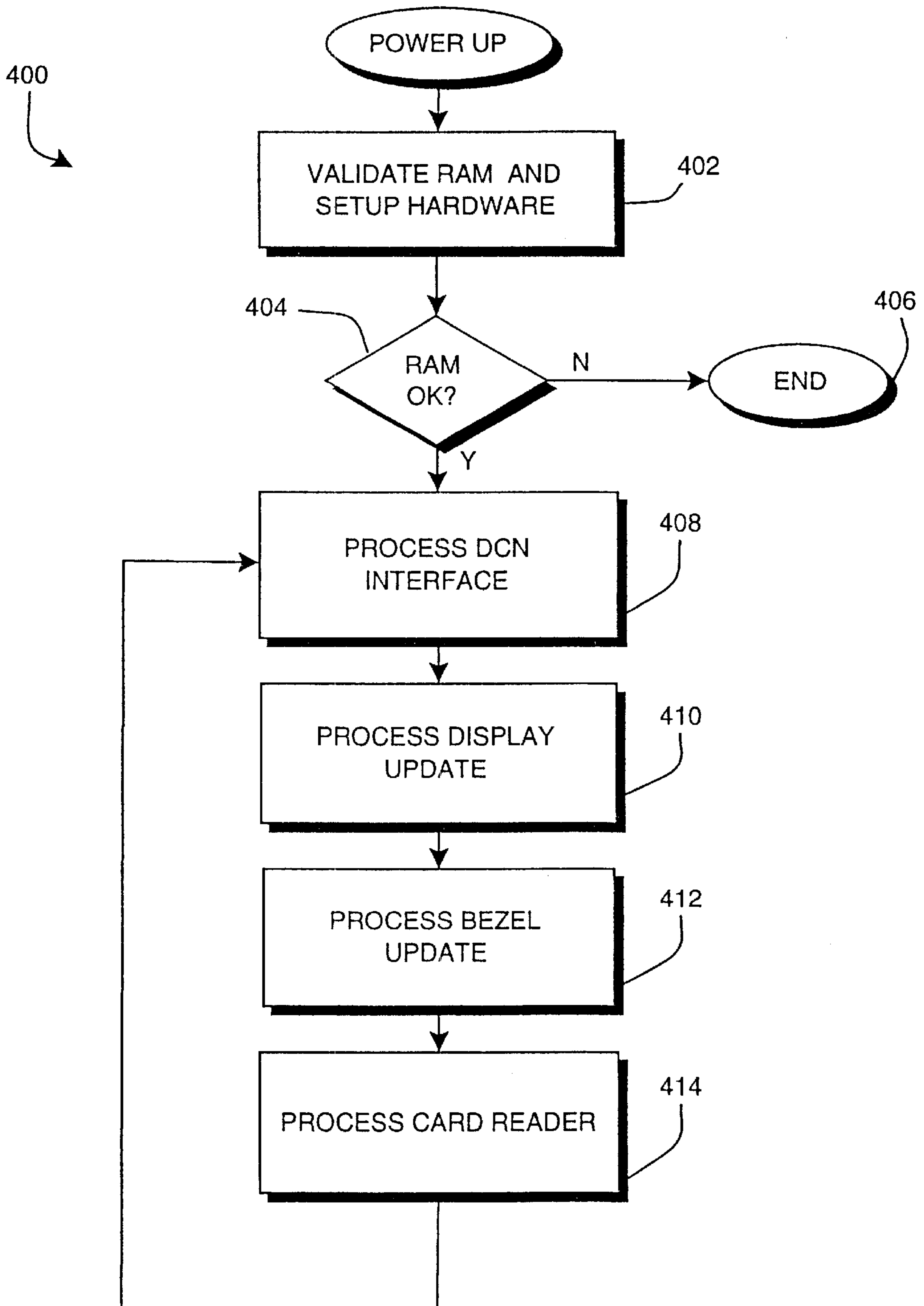


Fig.23

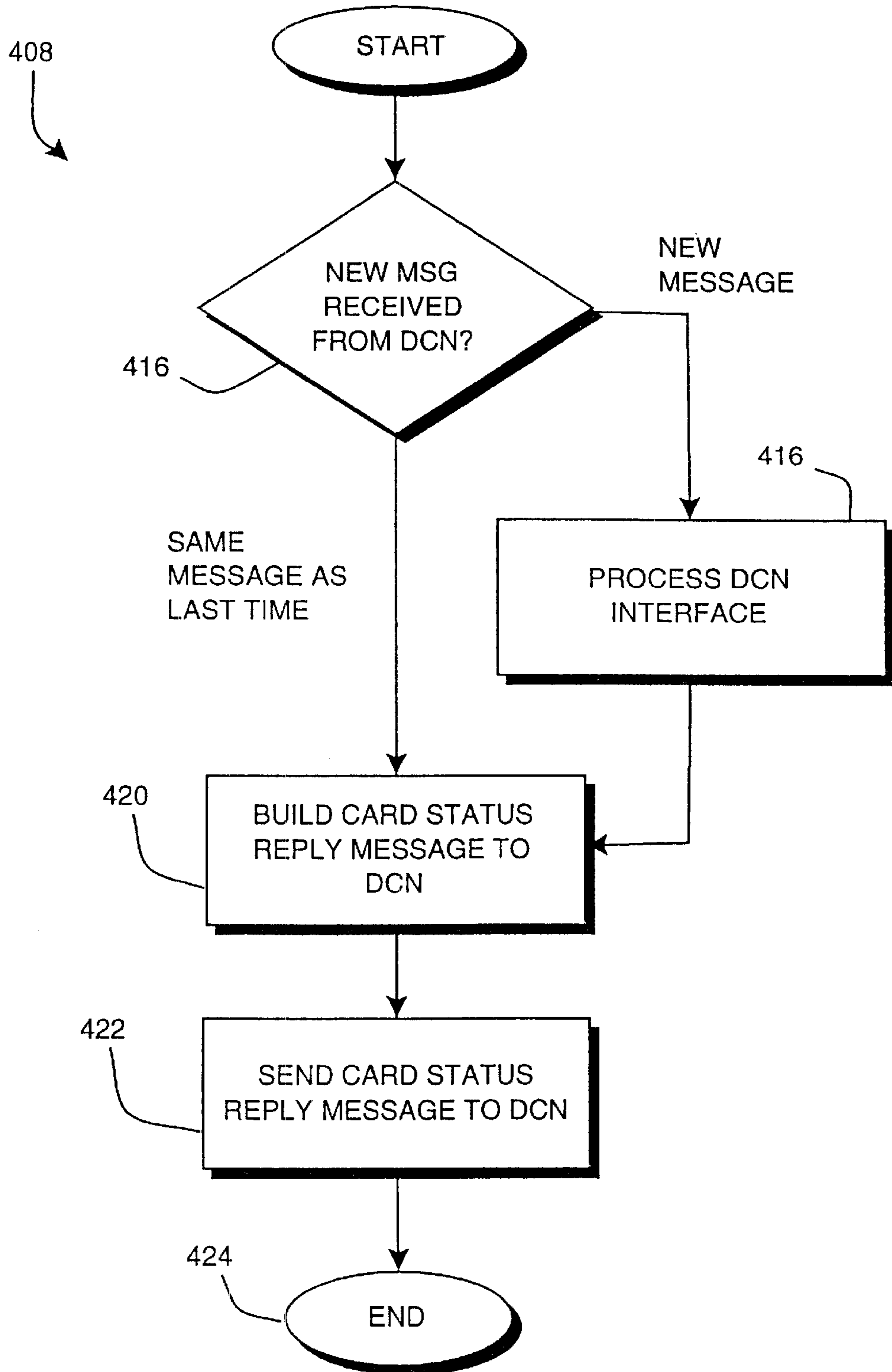


Fig.24

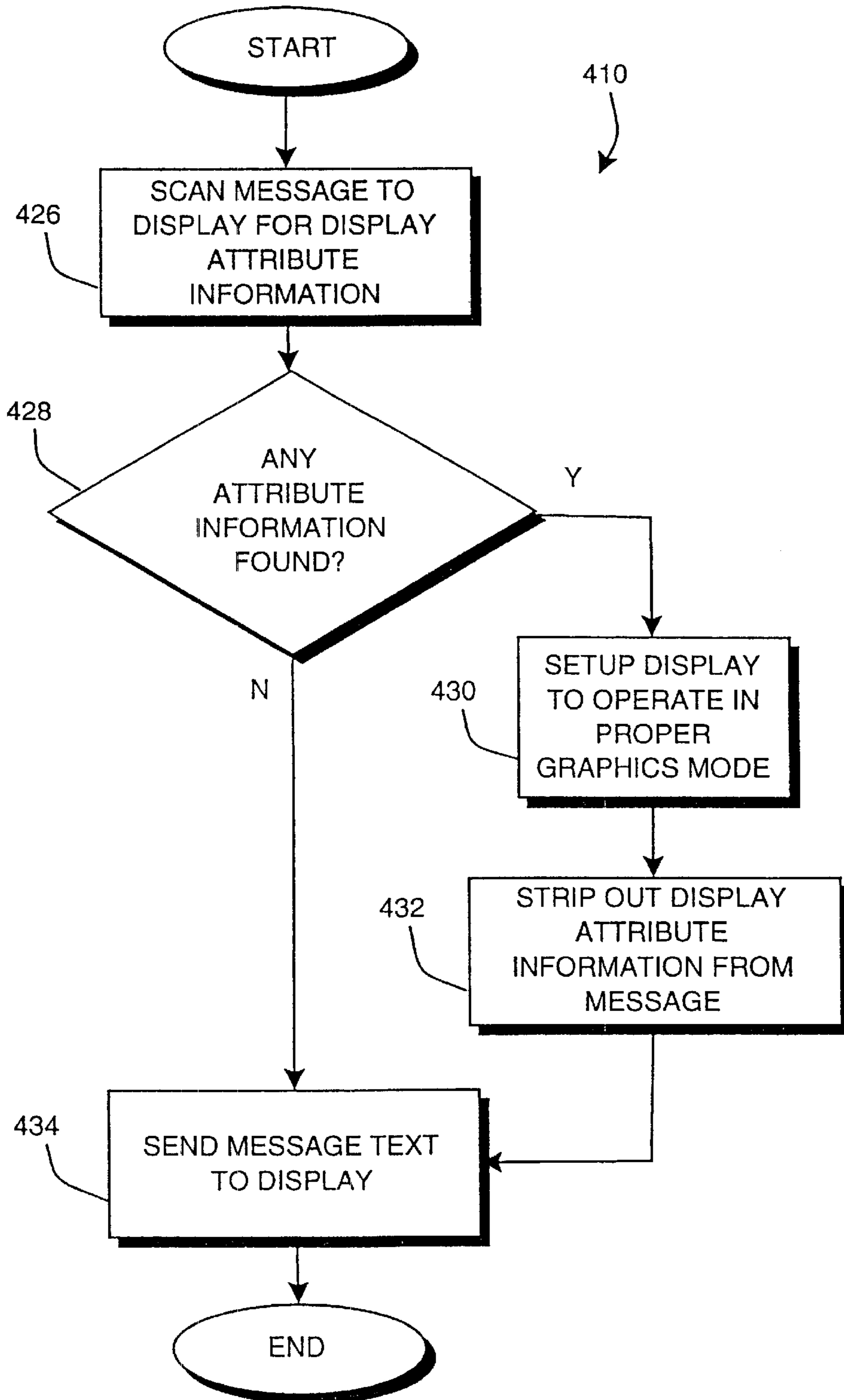


Fig.25

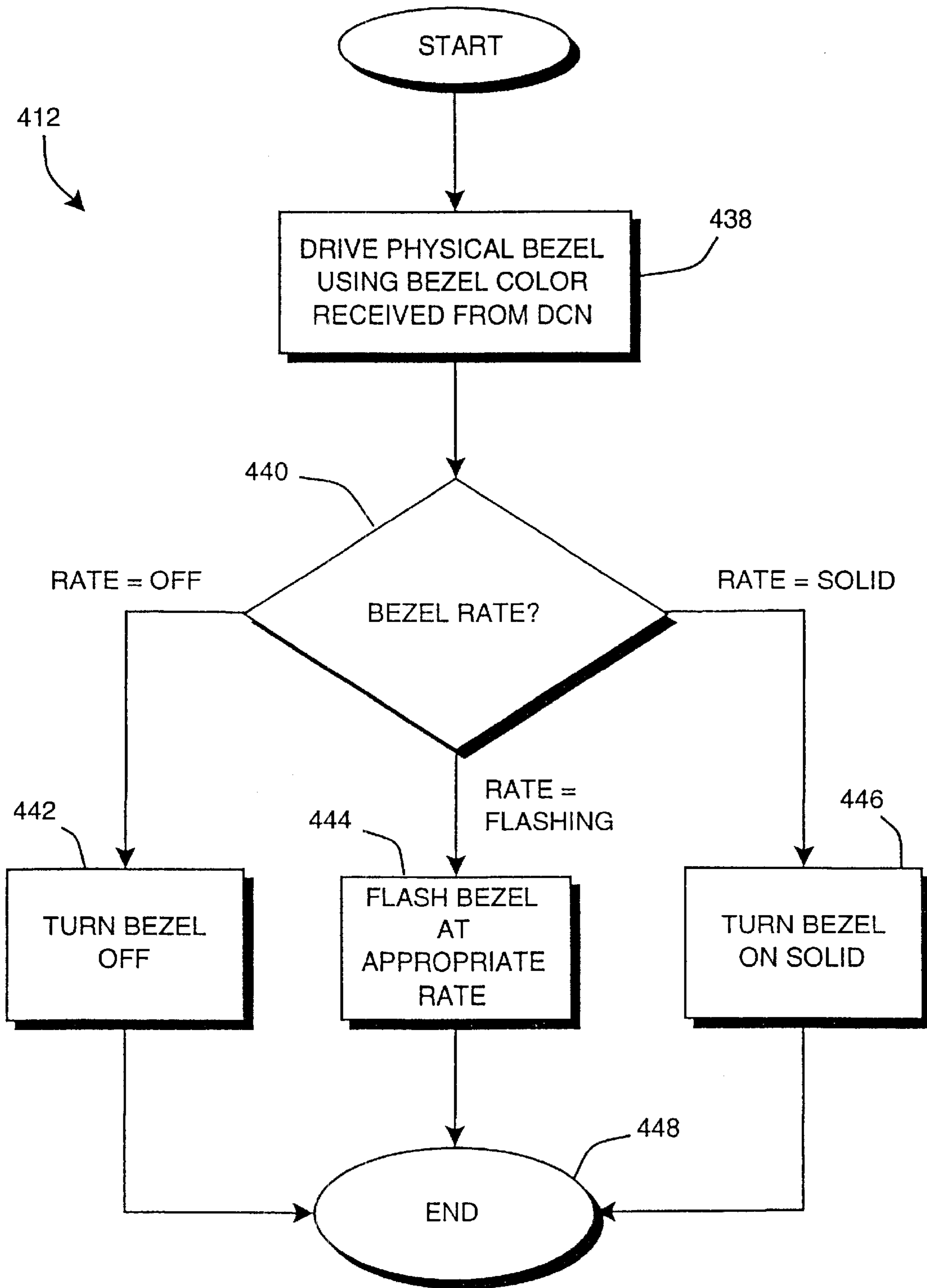


Fig.26

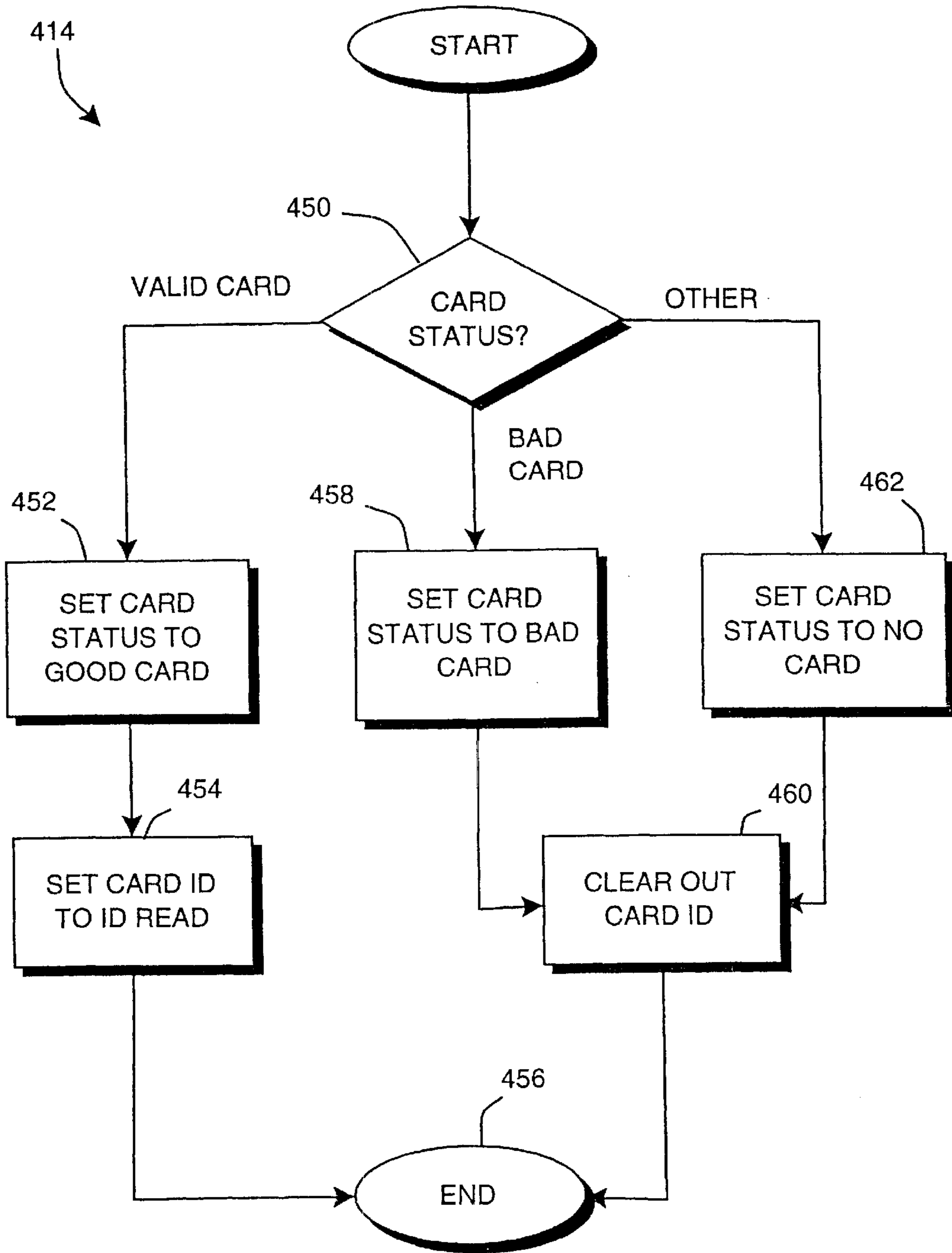


Fig.27

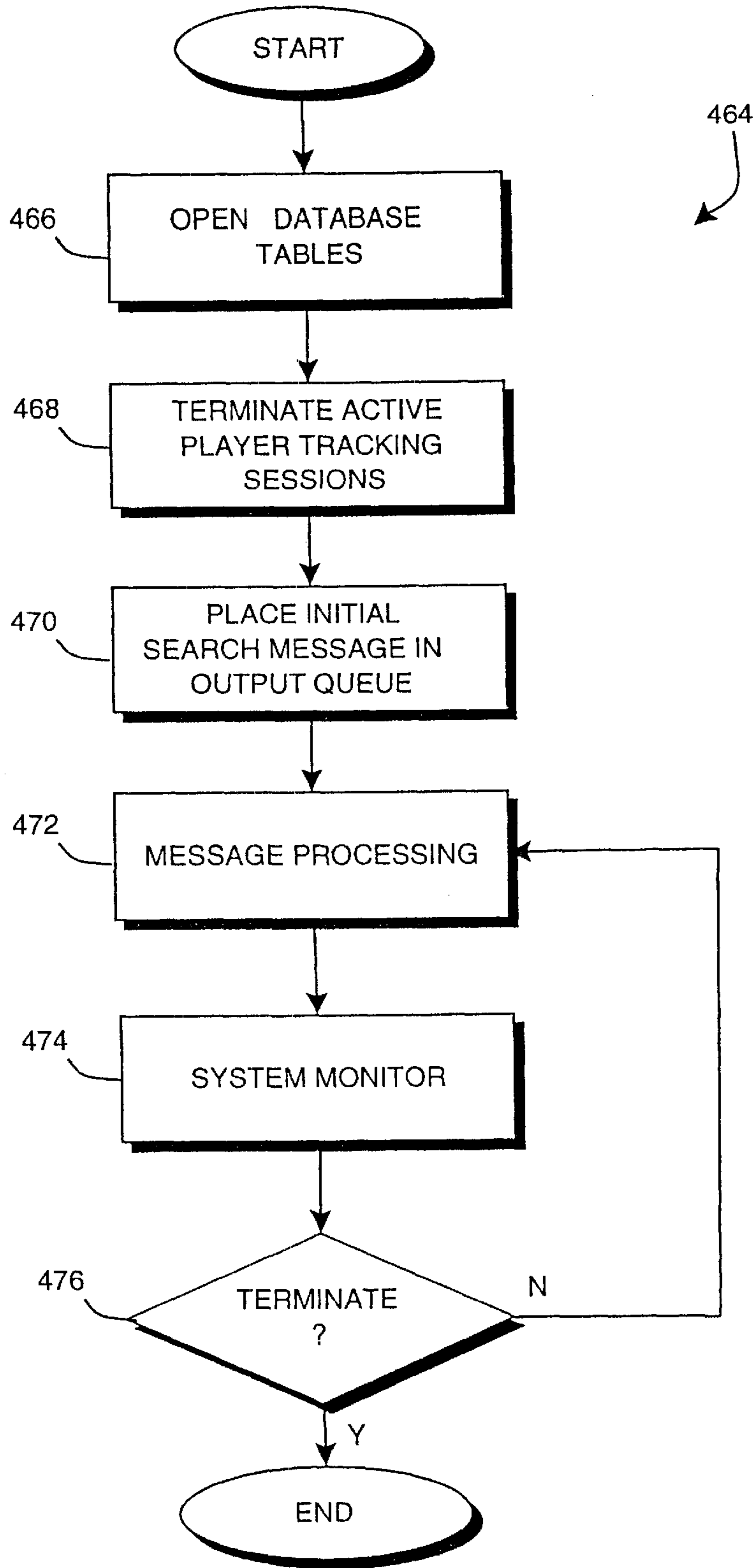


Fig.28

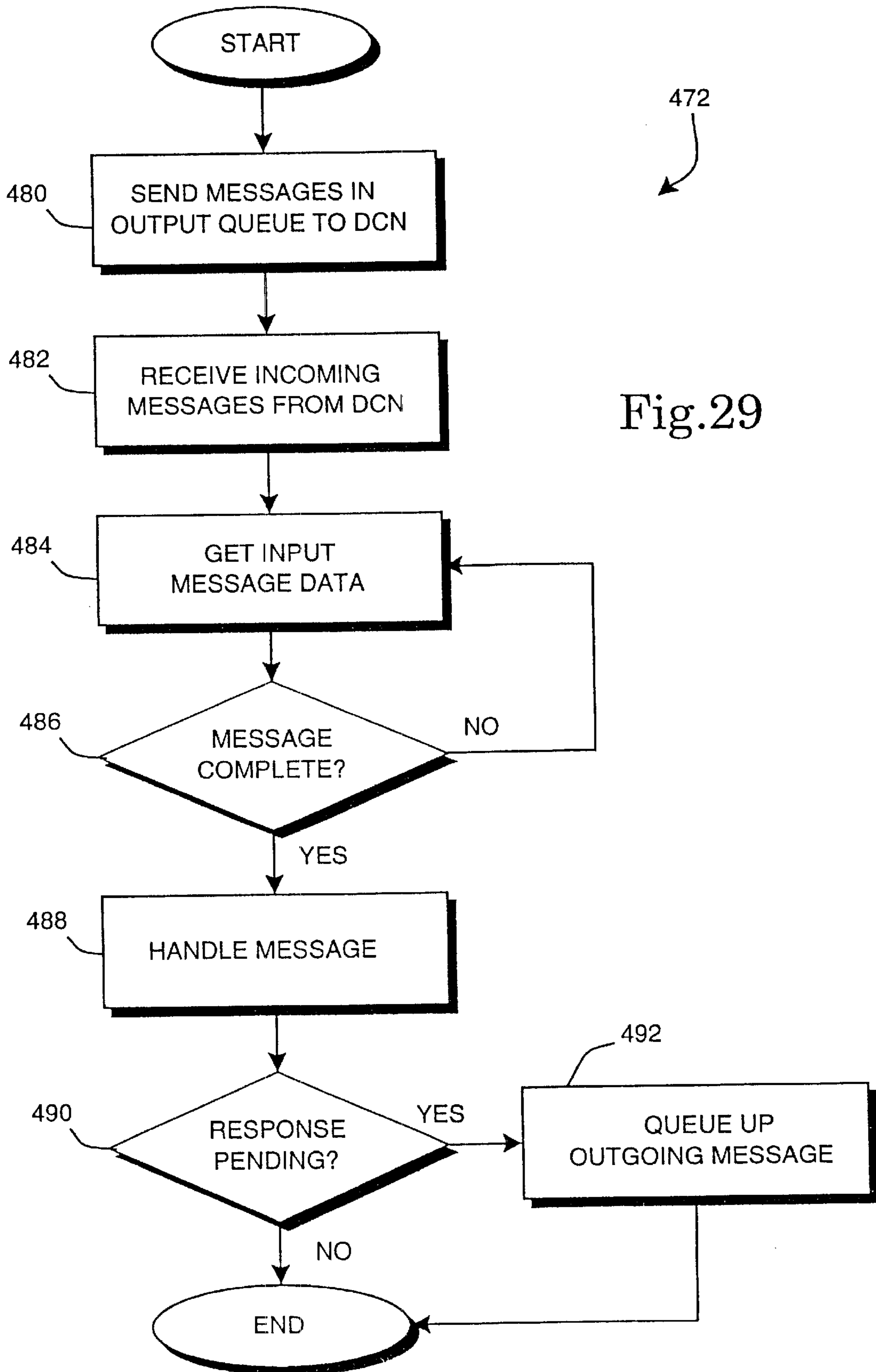
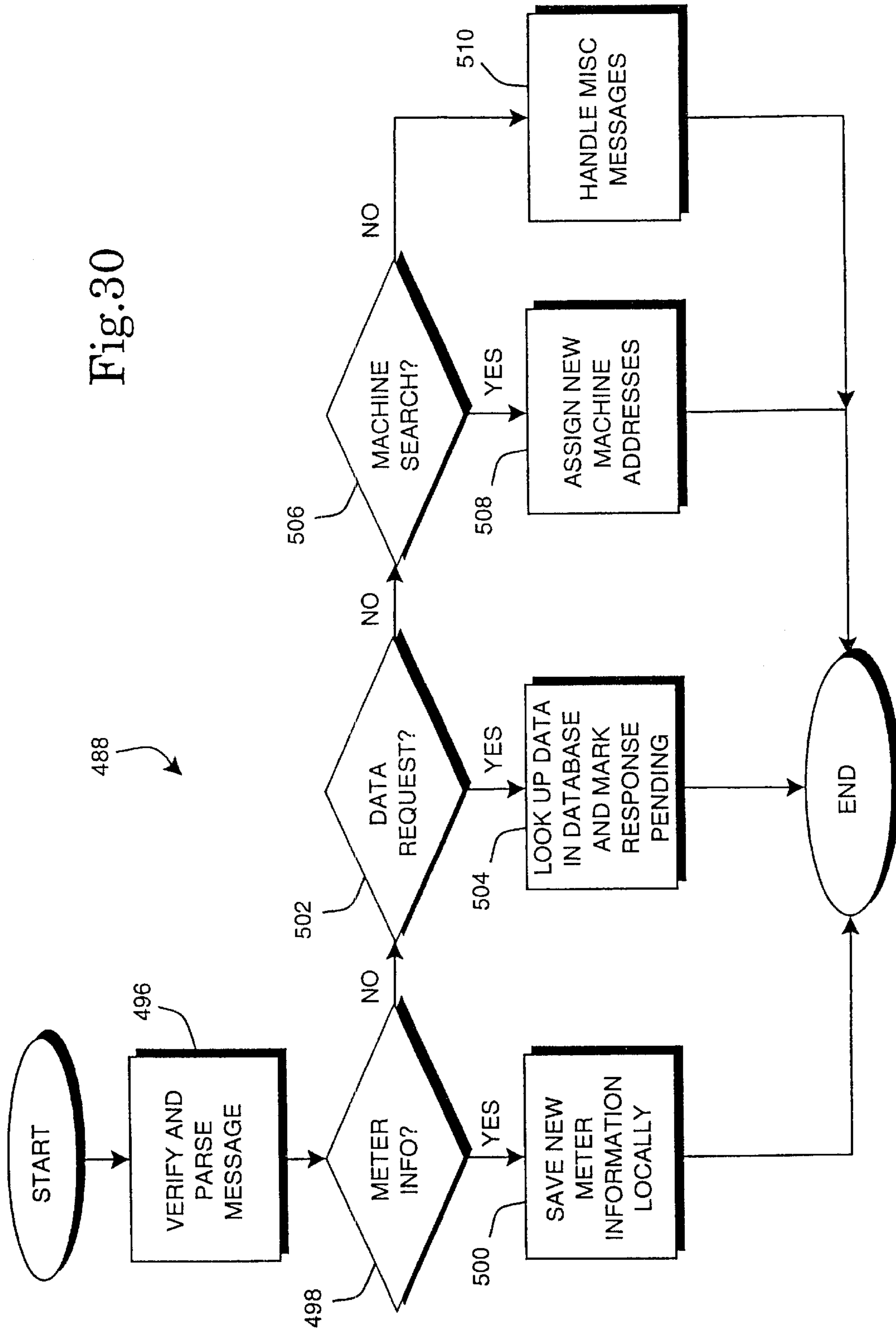


Fig.29

Fig.30



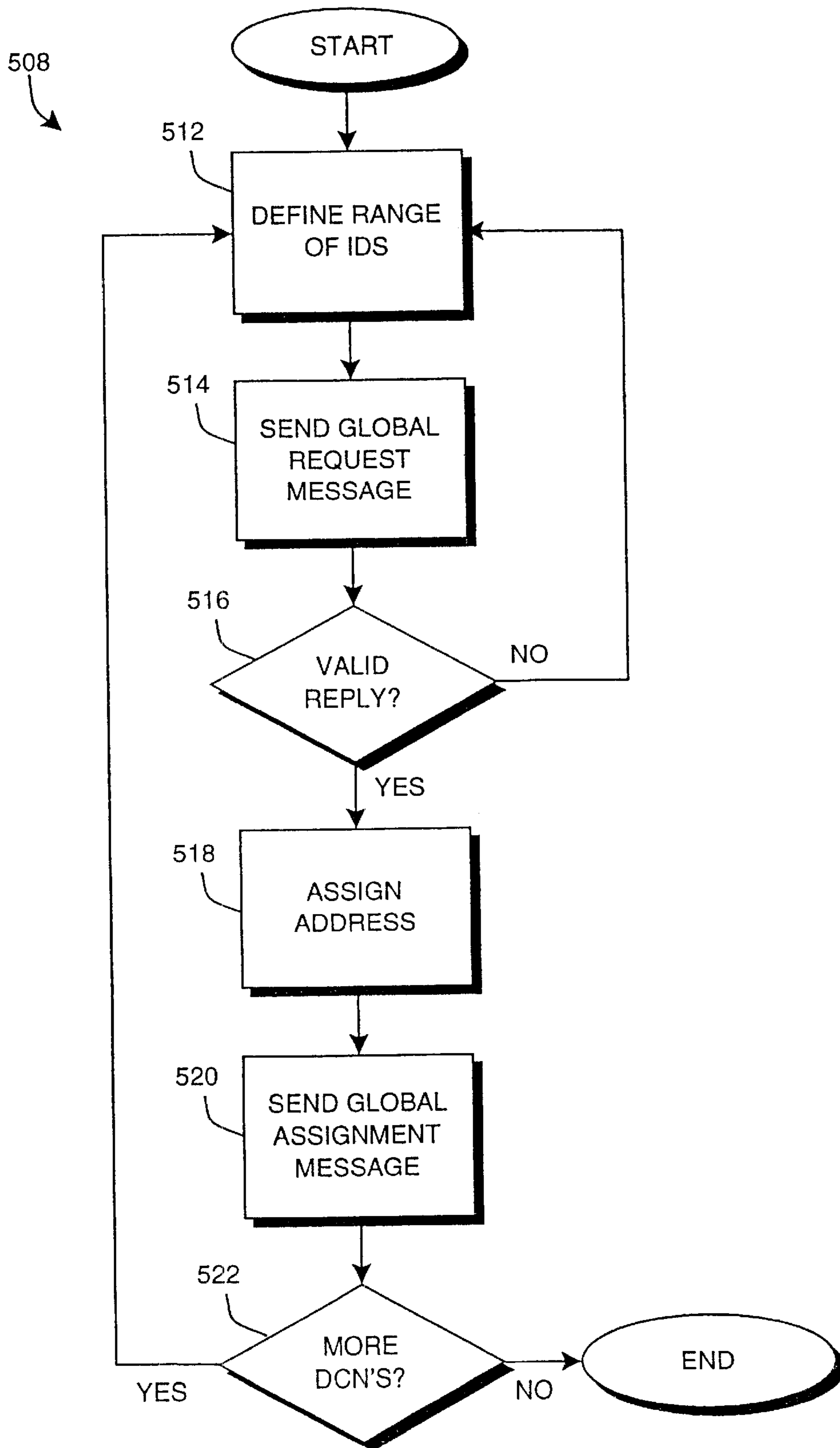


Fig.31

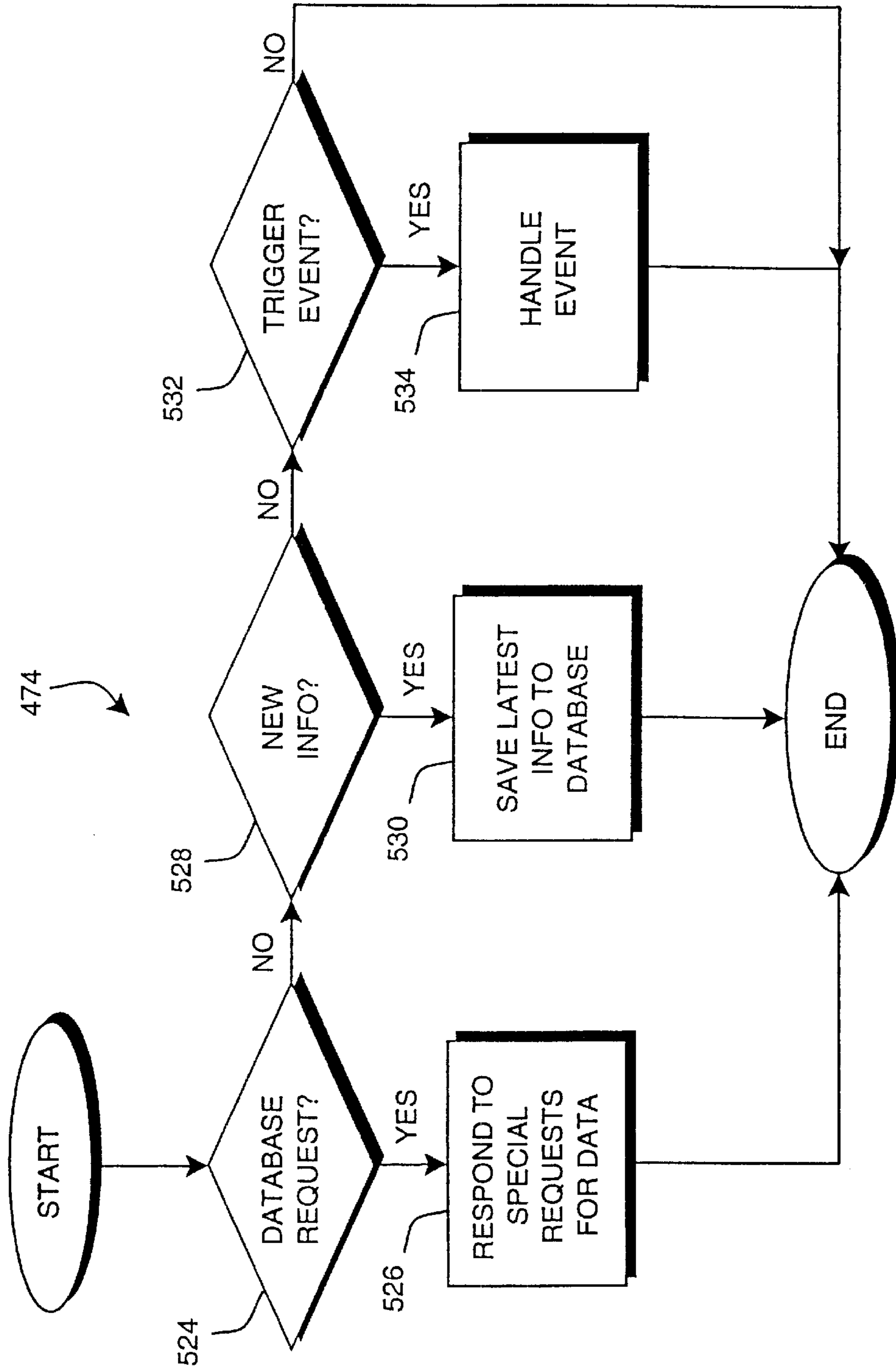


Fig.32

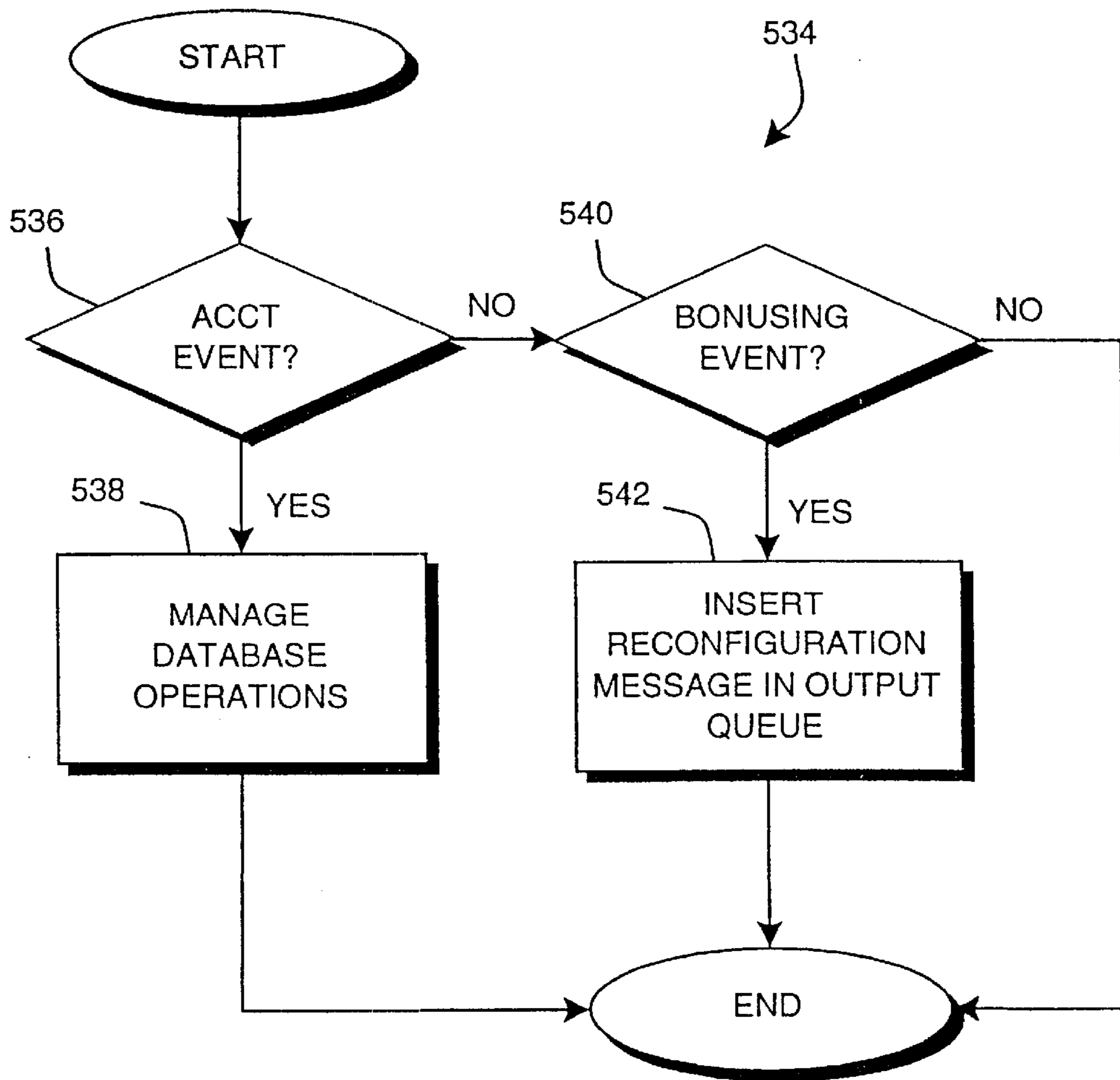


Fig.33

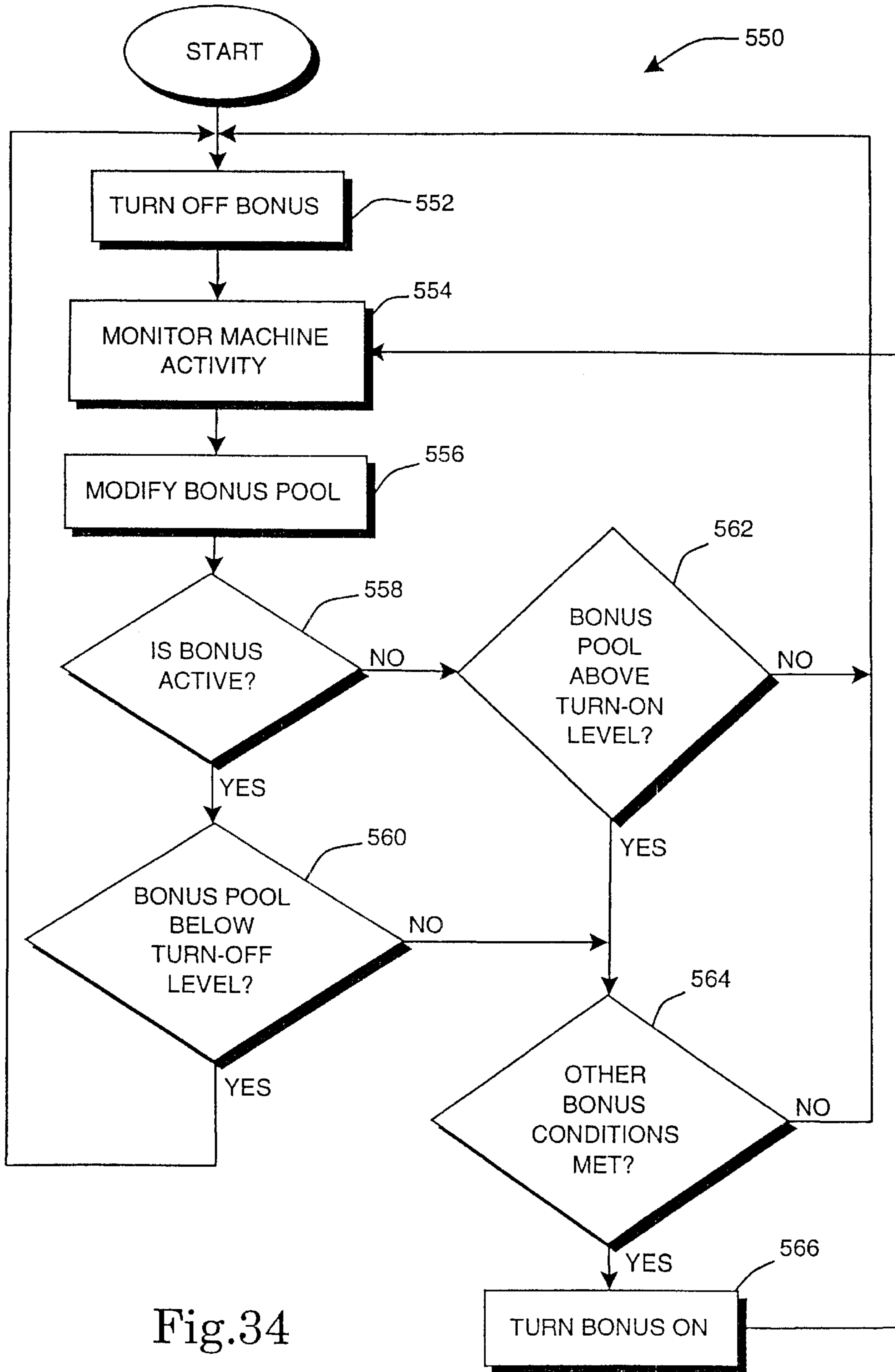


Fig.34

**METHOD AND APPARATUS FOR
OPERATING NETWORKED GAMING
DEVICES**

Matter enclosed in heavy brackets [] appears in the original patent but forms no part of this reissue specification; matter printed in italics indicates the additions made by reissue.

This is a division, of application Ser. No. 08/322,172, filed Oct. 12, 1994, now U. S. Pat. No. 5,655,961.

BACKGROUND OF THE INVENTION

This invention relates generally to gaming devices, and more particularly to a method and apparatus for controlling gaming devices interconnected by a computer network.

Networked gaming devices are known in the art. Interconnecting a plurality of gaming devices such as slot machines via a computer network to a central computer provides many advantages. The primary advantage of networked gaming devices is the ability to extract accounting data from the individual gaming devices as well as providing player tracking. An example of a data collection system is described in U.S. Pat. No. 4,283,709 issued to Lucero et al. Network systems such as described in Lucero et al. allow the central host computer to monitor the usage and payout, collectively known as audit data, of the individual gaming devices. This audit data includes data related to the number of coins or tokens inserted into the device, the number of times the device has been played, the amount paid in raises, the number and the type of jackpots paid by the machine, the number of door openings, etc. The host computer can then compile an accounting report based on the audit data from each of the individual gaming devices. This report can then be used by management, for example, to assess the profitability of the individual gaming devices.

Player tracking, as the name indicates, involves tracking individual player usage of gaming devices. In prior art player tracking systems, the player is issued a player identification card which has encoded thereon a player identification number that uniquely identifies the player. The individual gaming devices are fitted with a card reader, into which the player inserts a player tracking card prior to playing the associated gaming device. The card reader reads the player identification number off the card and informs a central computer connected thereto of the player's subsequent gaming activity. By tracking the individual players, individual player usage can be monitored by associating certain of the audit data with the player identification numbers. This allows gaming establishments to target individual players with direct marketing techniques according to the individual's usage.

One problem that can occur with current player tracking systems is that the player can insert a player identification card incorrectly unbeknownst to the player. Currently, if a player inserts a player identification card improperly into the card reader, a message appears on a display located away from the card reader. Unfortunately, the player may not be looking at the display while inserting the card. As a result, the player may not see the message on the display. Another prior art approach has been to provide a light emitting diode on the gaming device to indicate to the player the status of the card insertion. This too has been ineffective because the player may not know the purpose of the LED or the LED may be drowned out by all the other lights of the casino. The player may therefore commence playing with the card improperly inserted. In this case, both the player and the

casino lose valuable player tracking information. This is frustrating for the player because his activity will not be credited to his account and frustrating for the casino because the casino's records will be incomplete. Accordingly, a need remains for an improved method and apparatus for informing the player when a player tracking card has been improperly inserted.

The full power of networked gaming devices has not been completely realized. Although the audit data indicates which devices are being under utilized and when, there is currently no automated method for altering under utilized gaming devices' configurations to make them more attractive to play. For example, during certain hours of the day, e.g. four to six a.m., the audit data may indicate that the machines are being under utilized. Thus, it would be desirable to reconfigure the under utilized gaming devices to provide an additional incentive to players to use these devices. In the past casinos have run "bonuses" during these times. An example of such bonuses include a "double jackpot" wherein a player hitting a jackpot is paid double the jackpot amount. Currently this is implemented by having an attendant manually payout the additional payout amount. This manual technique, however, is cumbersome and inefficient to administer because an attendant must be constantly supervising the bonusing gaming devices. Accordingly, a need remains for an automated method and apparatus to provide bonusing for gaming devices.

Another limitation of the current bonusing systems is that only predetermined machines are eligible for the bonusing. For example, in a progressive bonusing machine a plurality of machines are connected together to form a bank. Only the machines in the bank are then eligible to win the progressive jackpot. Thus, a casino must dedicate a certain number of its machines to these banks. This limits the casino's flexibility in tailoring its bonusing to the number and make-up of its customers. Accordingly, a need remains for a more flexible bonusing system whereby any of the casino's machines can participate in the bonusing.

SUMMARY OF THE INVENTION

It is, therefore, an object of the invention to reconfigure gaming devices remotely over a network to provide bonusing.

Another object of the invention is to provide an integrated system usable with a variety of gaming devices made by different manufacturers.

Another object of the invention is to integrate player tracking, data collection, and bonusing over the same network.

A further object of the invention is to provide visual feedback to the user when a player tracking card has been improperly inserted.

A system for operating networked gaming devices is described. The system according to the invention allows a casino in which the system is installed to run promotions or bonuses on any properly equipped gaming machines while simultaneously gathering player tracking and accounting data from all machines. The system provides the capability for the casino to select which of the plurality of machines are used in any given promotion. The system further allows any number of different promotions to operate simultaneously.

The system includes a plurality of gaming devices or machines connected to an associated floor controller over a network. The system includes one or more of said floor controllers. The floor controllers are interconnected by a high-speed network, such as an Ethernet network, to a

database where accounting and player tracking data is stored. The system can also include pit terminals and/or fill and jackpot processing terminals. Each promotion involves sending a reconfiguration command from the floor controller to a gaming device that has been selected to be part of a given promotion over the associated network. Upon receipt of the reconfiguration command, the gaming device reconfigures its payout schedule in accordance with the received reconfiguration command. In the preferred embodiment, this reconfiguration includes activating a bonus payout schedule. A partial list of the promotions according to the invention include, but are not limited to: a multiple jackpot wherein the gaming device reconfigures its payout to be a multiple of its default payout schedule; a bonus jackpot wherein the gaming device reconfigures its payout schedule to payout an additional bonus amount when certain conditions are met; and a progressive jackpot wherein two or more gaming devices are combined in a progressive jackpot having a progressive jackpot payout schedule. In addition to these, many other promotions are possible by the above-described system for controlling and monitoring a plurality of gaming devices.

The system also allows for improved player tracking by recording each and every machine transaction including time of play, machine number, duration of play, coins in, coins out, hand paid jackpots and games played. The player tracking is conducted over the same network as the accounting data is extracted. This allows the invention to provide bonusing to certain individual players as well as during certain times. As with standard player tracking, the above-described system monitors and reports how many coins are played by each player. The system according to the invention, however, also includes the ability to record how long each player spends at each machine and the number of coins won, games played, and hand jackpots won by each player. The invention is able to record all this information because the system operates on a transaction by transaction basis. Each transaction, whether it be a coin in, a handle pull, etc., is recorded by the system. Other systems simply compile the player tracking information at the completion of play. All this information is stored on the database, which can be later analyzed for future targeted direct mailing campaigns. The player tracking according to the invention also allows the casino to schedule buses and other groups and measure their profitability. The system also allows for cashless play as well as advanced accounting and security features.

An advantage of the invention is that any of the casino's machines can be incorporated into a bonus promotion.

Another advantage of the invention is that several bonus promotions can operate simultaneously.

A further advantage of the invention is the ability to record each and every machine transaction including time of play, machine number, duration of play, coins in, coins out, hand paid jackpots and games played.

A further advantage of the invention is the ability to associate a player with a certain machine.

A further advantage of the invention is the ability to perform more targeted direct mailing based on individual play.

A further advantage of the invention is the ability to calculate a theoretical win exactly.

A further advantage of the invention is the ability to generate jackpot announcements, which provides for, among other things, better slot tournaments.

A yet further advantage of the invention is the ability to quickly and easily add new machines to the network.

The foregoing and other objects, features and advantages of the invention will become more readily apparent from the following detailed description of a preferred embodiment of the invention which proceeds with reference to the accompanying drawings.

BRIEF DESCRIPTION OF THE DRAWINGS

FIG. 1 is an illustration of a system for monitoring and configuring gaming devices according to the invention.

FIG. 2 is a block diagram of an electronic module associated with each gaming device to permit monitoring and configuring thereof.

FIG. 3 is a schematic diagram of a data communication node of the electronic module of FIG. 2.

FIG. 4 is a schematic diagram of a discrete machine interface circuit of the electronic module of FIG. 2.

FIG. 5 is a schematic diagram of a player tracking module of the electronic module of FIG. 2.

FIG. 6 is a schematic diagram of a card reader circuit of the electronic module of FIG. 2.

FIG. 7A is an exploded view of a card reader according to the invention.

FIG. 7B is a rear perspective view of the card reader of FIG. 7A.

FIG. 7C is a front perspective view of the card reader of FIG. 7A.

FIG. 8 is a schematic diagram of a display circuit of the player tracking module of FIG. 2.

FIG. 9 is a schematic diagram of a personality board of the electronic module of FIG. 2.

FIG. 10 is a schematic diagram of a triac driver circuit of the electronic module of FIG. 2.

FIG. 11 is a schematic diagram of a relay driver circuit of the electronic module of FIG. 2.

FIG. 12 is a block diagram of a communication board included in each floor controller of FIG. 1.

FIG. 13 is a flow chart for the power-on procedure for the data communication node (DCN) of FIG. 2, which is implemented in firmware executed by the DCN controller.

FIG. 14 is a flow chart for processing of the discrete gaming device inputs, of FIG. 13.

FIG. 15 is a flow chart for the step of incrementing meter counts associated with each gaming device of FIG. 14, which is implemented in firmware executed by the DCN controller.

FIG. 16 is a flow chart for the step of processing the serial interface between the gaming device and the data communication node of FIG. 13, which is implemented in firmware executed by the DCN controller.

FIG. 17 is a flow chart for the step of processing the network interface between the floor controller and the data communication node of FIG. 13, which is implemented in firmware executed by the DCN controller.

FIG. 18 is a flow chart for the step of processing the network message of FIG. 17, which is implemented in firmware executed by the DCN controller.

FIG. 19 is a flow chart for the step of processing the data communication node request of FIG. 18, which is implemented in firmware executed by the DCN controller.

FIG. 20 is a flow chart for the step of FIG. 13 of processing the player tracking interface, which is implemented in firmware executed by the DCN controller.

FIG. 21 is a flow chart for the step of processing a valid inserted card of FIG. 20, which is implemented in firmware executed by the DCN controller.

FIG. 22 is a flow chart for the step of processing player tracking information of FIG. 21, which is implemented in firmware executed by the DCN controller.

FIG. 23 is a flow chart for the power-on procedure for the player tracking (PT) node of FIG. 2, which is implemented in firmware executed by the PT controller.

FIG. 24 is a flow chart for the step of processing the DCN interface of FIG. 23, which is implemented in firmware executed by the PT controller.

FIG. 25 is a flow chart for the step of processing the DCN message of FIG. 24, which is implemented in firmware executed by the PT controller.

FIG. 26 is a flow chart for the step of processing the card reader bezel update of FIG. 23, which is implemented in firmware executed by the PT controller.

FIG. 27 is a flow chart for the step of processing the card reader of FIG. 23, which is implemented in firmware executed by the PT controller.

FIG. 28 is a flow chart for the power-on floor controller process, which is implemented in software executed by the floor controller.

FIG. 29 is a flow chart for the message processing step of FIG. 28, which is implemented in software executed by the floor controller.

FIG. 30 is a flow chart for the message handling step of FIG. 29, which is implemented in software executed by the floor controller.

FIG. 31 is a flow chart for the step of assigning unique machine addresses of FIG. 30, which is implemented in software executed by the floor controller.

FIG. 32 is a flow chart for the system monitoring step of FIG. 28, which is implemented in software executed by the floor controller.

FIG. 33 is a flow chart for the event handling step of FIG. 32, which is implemented in software executed by the floor controller.

FIG. 34 is a flow chart for bonus control, which is implemented in software executed by the floor controller.

DETAILED DESCRIPTION

Table of Contents

I. SYSTEM ORGANIZATION

A. SYSTEM OVERVIEW

B. DATA COMMUNICATION NODE

1. OVERVIEW
2. CONTROLLER AND MEMORY
3. NETWORK INTERFACE
4. SERIAL MACHINE INTERFACE
5. SERIAL DISPLAY INTERFACE
6. DISCRETE MACHINE INTERFACE
7. MACHINE CONFIGURATION

C. PLAYER TRACKING MODULE

1. OVERVIEW
2. SERIAL DISPLAY CIRCUIT
3. SERIAL EXPANSION PORTS
4. CARD READER
5. DISPLAY
6. DISCRETE INPUT SECTION

D. PERSONALITY BOARD

E. BONUS DISPLAY DRIVERS

F. FLOOR CONTROLLER

II. OPERATION

A. DATA COMMUNICATION NODE

1. POWER UP PROCEDURE
2. READING UNIQUE IDENTIFICATION NUMBER
3. MONITORING GAMING DEVICE DISCRETE INPUT
4. PROCESSING GAMING DEVICE SERIAL INTERFACE
5. PROCESSING NETWORK INTERFACE
6. PROCESSING PLAYER TRACKING INTERFACE
7. PROCESSING CARD INSERTION

B. PLAYER TRACKING MODULE

1. POWER UP PROCEDURE
2. PROCESSING DCN INTERFACE
3. PROCESSING DISPLAY UPDATE
4. PROCESSING BEZEL UPDATE
5. PROCESSING CARD READER

C. FLOOR CONTROLLER

1. POWER UP PROCEDURE
2. MESSAGE PROCESSING
3. ASSIGNING GAMING DEVICE ADDRESSES
4. SYSTEM MONITORING
5. BONUS CONTROL

I. SYSTEM ORGANIZATION

A. SYSTEM OVERVIEW

A system for operating a plurality of gaming devices is shown generally at 10 in FIG. 1. The system, hereinafter described, monitors and reconfigures a plurality of gaming devices or machines 12-16 and 22-26. The system includes the following capabilities: remote reconfiguration, accounting data extraction, integrated player tracking, and cashless play. Remote reconfiguration includes sending a reconfiguration command from a host computer to one or more of the gaming devices. The gaming devices, on receiving a reconfiguration command, will reconfigure its jackpot payout schedule in accordance with the reconfiguration command.

This reconfiguration, in the preferred embodiment, comprises activating a bonus payout schedule. This bonus payout schedule is in addition to the normal pay table of the gaming device. The bonus payout schedule provides for additional bonus payouts in addition to the payouts specified by the device's normal pay table. The difference between the two is important for regulatory reasons. The composition of the pay table is subject to regulation by the various state gaming commissions while the bonus payout schedule is not. The preferred embodiment currently activates only the bonus payout schedule responsive to the reconfiguration command, while not altering the payout table. The invention, however, is not limited to activating only the bonus payout schedule. Other embodiments, which would be subject to regulatory approval, could modify the device's payout table. The preferred embodiment, however, does not.

The system, according to the invention, implements a variety of bonusing events through this reconfiguration process. These bonusing events include: a multiple jackpot wherein the gaming device reconfigures its payout to be a multiple of its default payout schedule; a bonus jackpot wherein the gaming device reconfigures its payout schedule to payout an additional bonus amount when certain conditions are met; and a progressive jackpot wherein two or more gaming devices are combined in a progressive jackpot having a progressive jackpot payout schedule.

The system, according to the invention, also provides for integrated player tracking and accounting data extraction. Unlike prior art systems that use disparate systems for player

tracking and accounting data extraction, the system **10** provides for player tracking and accounting data extraction over the same network. The player tracking, according to the invention, allows the casino to run certain promotional events. The integrated player tracking and accounting data extraction also allows the system to support cashless play wherein a credit is given to a player over the network.

The system **10** includes one or more floor controllers **18** and **28**. Each floor controller supports up to a predetermined maximum number of gaming devices. In the preferred embodiment, each floor controller can support up to **1024** gaming devices. The preferred embodiment also supports up to eight floor controllers. Thus, the system **10** can support up to 8192 separate gaming devices.

The system supports a multiplicity of various gaming devices. The gaming devices **12–16** and **22–26** shown in FIG. **1** are the type having a pull handle for initiating a game, e.g., slot machines. However, the invention is not limited to such gaming devices. The gaming devices shown in FIG. **1** can also be gaming tables or push button operated machines as well, e.g., video poker. As will be described hereinafter, the system supports any gaming device providing traditional discrete connections, e.g., coins-in, coins-out, etc., as well as those having serial interfaces, as described below.

The floor controllers **18** and **28** are, in the preferred embodiment, IBM-compatible personal computers. Each floor controller is responsible for monitoring the activity level of the corresponding gaming devices connected thereto and issuing commands to the associated gaming devices to reconfigure their payout schedules during certain bonusing events. The floor controllers issue status requests to each of the individual gaming devices to determine the activity level of each. In the event the floor controller detects any activity, the floor controller communicates that activity to a file server **32**, which is connected to the floor controllers via a high speed network **38** connected therebetween.

In the preferred embodiment, the file server **32** includes a high performance personal computer or work station having a large hard disk capacity in order to store the gaming device activity therein. In the preferred embodiment, the high speed network **38** is a ten megabyte ethernet network. The system **10** also includes commercially available network software to support the industry-standard ethernet network **38**. An example of such network software is Novell network software sold by Novell of Provo, Utah. The file server **32** also includes a database program by which reports can be generated using the data stored on the file server. Such reports include, e.g. area, model, denomination and summary reports. The database software also allows a user to generate custom reports. The database software is based on the industry-standard Paradox database language.

The system **10** also includes a pit terminal **34** which is also connected to the ethernet network **38**. The pit terminal **34** is also a standard personal computer, in the preferred embodiment, and can be used to monitor the gaming device activity in the pit. This terminal **34** can also be used as a security monitoring device to detect any unanticipated events like fills or payouts.

The system **10** further includes any number of fill and jackpot processing terminals **36**. These terminals **36** are placed in the cage and/or the change booth areas of the casino for fill and hand-paid jackpot processing. When a fill is required, a floor person goes to the nearest cashier's booth and states the gaming device number requiring a fill. The booth attendant enters the number into the fill and jackpot processing terminal **36** located in the cashier's booth. The terminal **36** then looks up the record associated with the

particular gaming device in the file server **32** to determine the correct fill amount. The terminal **36** also calculates a theoretical hopper balance for the particular device based on the latest meter information, as described further below. If the calculation shows a significant hopper balance, a warning is given on the computer screen from which security can then be alerted.

A fill and jackpot processing terminal **36** prints a fill ticket upon demand. If the calculated hopper balance was nearly zero, the terminal **36** cause the words "computer verified" to be printed on the ticket in place of a supervisor's signature. In the event that the calculated hopper balance was not near zero, an extra signature is required to complete the fill transaction. The system follows a similar procedure for processing hand-paid jackpots.

A dispatch station (not shown) can also be included in the system. The dispatch station allows the casino to monitor activity on the gaming devices and "run the casino" from one location. The dispatch station allows the dispatcher to monitor customer service, maintenance, and security events and direct other casino personnel to handle these situations appropriately. For example, during hopper empties (fills) and jackpot events, as indicated by the dispatcher station, the dispatcher could radio down to the floor to have someone verify the event. The dispatcher station can also indicate when a machine door is opened without a technician card inserted, for example, in which case the dispatcher could take the appropriate course of action.

The above-described system **10** is but one embodiment of the system according to the invention. The system tasks can be allocated in a variety of ways amongst the system computers including floor controllers **18** and **28**, file server **32**, pit terminal **34** and fill and jackpot terminals **36**. In some cases, the pit terminal **34** and fill and jackpot terminals **36** can even be eliminated and their tasks allocated to the floor controller or file server. In fact, because the fileserver **32** is essentially a virtual hard disk for the floor controllers **18** and **32**, the floor controllers and the file server can be considered a single host computer for the system **10**.

B. DATA COMMUNICATION NODE

1. OVERVIEW

In order to communicate with the floor controller, each gaming device includes therein an electronic module **40**, as shown in FIG. **2**. This module **40** can be inserted into a variety of pre-existing gaming devices. The module allows the host computer to uniquely identify the gaming device on the network, including the device type. The module **40** includes two main subcomponents: a data communication node **42** and a player tracking module **44**. The data communication node **42** keeps track of the coins-in, coins-out, coins to drop, games played, jackpot occurrences and other related functions of the associated gaming device. The player tracking module **44** keeps track of the player that is playing the associated gaming device. Together, the data communication node **42** and the player tracking module **44** allow the floor controller connected to the associated gaming device to monitor and control the activity of the gaming device. The system hereinafter described in detail includes the following capabilities: slot accounting, player tracking, bonus jackpots and cashless play.

2. CONTROLLER AND MEMORY

The data communication node (DCN) **42** includes a data communication node controller **46**, which in the preferred embodiment is an HD6473258 P10 controller manufactured by Hitachi of Tokyo, Japan. The DCN **42** is coupled to the player tracking controller **44** through bus interface logic **45**. The bus interface logic **45** is conventional interface logic

including, for example, transceivers, as is known in the art of digital design.

A memory 48 is connected to the DCN controller 46. The memory includes program memory for storing program instructions for the DCN controller 46. In the preferred embodiment, this program memory includes a nonvolatile read-only memory (ROM). However, this program memory could also be flash or "battery" backed RAM in order for the program memory to be updated by the floor controller. In the event flash or "battery" back RAM is used the floor controller would download the updated program to the DCN controller and the DCN controller would overwrite the program memory with the downloaded program.

The memory 48 also includes system memory, e.g., static random-access memory (SRAM) for storing the gaming device information. This gaming device information includes at least the following meters: coins-in, coins-out, coins to drop, games played, jackpot occurrences. A separate meter counter is kept in memory 48 for each of these values. To increase reliability of the data, in the preferred embodiment, a redundant set of these counters is kept in a physically separate memory device within memory 48. Moreover, the memory devices storing these counters are nonvolatile so that in the event of a power failure the counts will be retained. The nonvolatile memories can either be battery-backed SRAM or electrically erasable programmable read-only memory (EEPROM). Although memory 48 is shown external to DCN controller 46, much if not all of the memory 48 can be included in the DCN controller 46.

3. NETWORK INTERFACE

The data communication node 42 also includes a network interface 49 for connecting the data communication node 42 to the associated floor controller. The network interface is coupled to the floor controller through a personality board 202, described below.

A more detailed drawing of network interface 49 is shown in FIG. 3. In FIG. 3, the DCN controller 46 receives data from the floor controller over conductor 52 which is optically isolated from a connector 51 by optical isolator circuit 54. The DCN controller 46 transmits data to the floor controller over conductor 56, which is optically isolated from the connector 51 by optical isolator circuit 58. Each of the opto-isolator circuits 54 and 58 include an opto-coupler as are known in the art. A bus 222 (FIG. 2) is connected between the network interface 49 and the personality board 202.

4. SERIAL MACHINE INTERFACE

Referring to FIG. 2, the data communication node includes a serial machine interface 60. The serial machine interface 60 allows the data communication node 42 to communicate with the associated gaming device advance serial interface as contrasted with the discrete interface, to be described further hereinafter. A bus 224 (FIG. 2) connects the serial machine interface 60 to the associated gaming device at connector 62. The serial interface, in the preferred embodiment, is a standard RS-232 three wire interface.

Referring to FIG. 3, the DCN controller 46 receives data from the gaming device over conductor 64 which is connected between the DCN controller 46 and a differential to single-ended converter 66. The DCN controller 46 transmits data to the gaming device over conductor 68 connected between the DCN controller 46 and the converter 66. The converter 66 converts the differential inputs of the serial interface 62 to a single-ended output which is transmitted over conductor 64 to the DCN controller 46. The converter 66 also converts the single-ended input received from the DCN controller 46 to a differential output signal and trans-

mits that to the serial interface 62. The serial machine interface is the means by which the DCN controller communicates certain reconfiguration data, referred to as reconfiguration commands, to the machine. These reconfiguration commands cause the machines to activate a bonus payout table to allow the machine to append bonus payments to their standard jackpot payouts, as specified by their payout table, during certain bonus activities.

5. SERIAL DISPLAY INTERFACE

The data communication node 42 further includes a serial display interface 70 illustrated in more detail in FIG. 3. The serial display interface 70 includes logic coupled between the DCN controller 46 and an expansion connector 71. The expansion connector 71 allows the DCN controller 46 to communicate with an expansion device connected thereto.

6. DISCRETE MACHINE INTERFACE

The data communication node 42 also includes a discrete machine interface 72, which is shown in detail in FIG. 4. The discrete machine interface 72 includes a plurality of opto-couplers 78 coupled between the discrete outputs from the gaming device or machine and the DCN controller 46. The discrete outputs of the machine are received at terminals 74A-74J of a connector 74 via a cable (not shown) connected between the machine and the connector 74. The discrete outputs are coupled to corresponding inputs 76A-76J via opto-couplers 78. The discrete outputs from the machine include: an EXTRA signal, a POWER signal, a COIN IN signal, a COIN OUT signal, a COIN DROP signal, a JACKPOT signal, a HANDLE signal, a TILT signal, a SLOT DOOR signal, and a DROP DOOR signal. Each of these signals correspond to a known event in the machine. For example, when a coin is dropped in the machine a COIN IN signal appears on terminal 74C. This COIN IN signal is then transmitted to the DCN controller 46 on line 76C via the associated opto-coupler.

All of the signal lines 76A-76J include a pullup resistor and a pulldown capacitor, which combined form an RC network on the associated line. The resistors are, in the preferred embodiment, in the form of a resistor pack 80 and the capacitors are individual discrete capacitors 82. Alternatively, the capacitors can be removed for high-speed signals.

7. MACHINE CONFIGURATION CIRCUIT

The data communication node 42, as shown in FIGS. 2 and 3, further includes a machine configuration circuit 84. In the preferred embodiment, as shown in FIG. 3, the machine configuration circuit 84 includes a parallel to serial converter 86, which includes eight parallel inputs IN, a serial input SIN, a clock input CLK, a strobe input STB, and a serial output SOUT. The parallel inputs IN are connected to a personality board, as described hereinafter, to receive a unique machine configuration number therefrom, which uniquely identifies the type of machine that the data communication node is connected to. In the preferred embodiment, the machine identification number is comprised of six bits. Therefore, the two remaining parallel inputs can be used to provide additional inputs, such as additional discrete machine inputs, to the DCN controller 46.

The machine configuration number presented on the parallel inputs of the parallel to serial converter 86 is latched therein responsive to a strobe signal received at the strobe STB input. A strobe input is generated by the DCN controller 46 on conductor 90 which is coupled to the strobe STB input. The parallel data is clocked out of the converter 86 to the DCN controller 46 on conductor 88 and connected between the serial output SOUT of the converter 86 and an

input of the DCN controller **46** responsive to a clock signal received on the clock input CLK of the converter **86**. The clock signal is generated by the DCN controller **46** and is transmitted to the converter **86** via conductor **92** which is coupled between an output of the DCN controller **46** and the clock input CLK of the converter **86**.

The converter **86** also includes a serial input SIN for receiving serial input data. The serial input SIN is coupled to an expansion terminal **94C** of expansion connector **94**. Conductors **90** and **92** are also coupled to the expansion terminal **94** to provide the clock and strobe signals thereto. The expansion terminal **94** therefore provides the means for the DCN controller **46** to access additional serial information through the parallel to serial converter **86**. In the preferred embodiment, the parallel to serial converter **86** is part number 4021 manufactured by Toshiba Corporation of Tokyo, Japan.

C. PLAYER TRACKING MODULE

1. OVERVIEW

Referring again to FIG. 2, the module **40** coupled to each of the gaming devices includes a player tracking module **44**. The player tracking (PT) module **44** includes a player tracking controller **98**, a card reader **100**, a serial display driver **101**, a display **102**, and expansion interfaces **104** and **106**. The player tracking controller **98** communicates with the data communication node controller **46** through bus interface logic **110**. The DCN controller **46** and PT controller **98** maintain a master-slave relationship, respectively. Therefore, all communication is initiated by the DCN controller **46**. The bus interface logic is conventional logic and its design is well-known in the art of digital electronics.

In the preferred embodiment, the player tracking module **44**, with the exception of the card reader **100** and the display **102**, resides on a single printed circuit board, while the data communication node **42** resides on a separate printed circuit board. The player tracking module **44** and the data communication node **42** are then connected by a cable **111** such as a ribbon cable.

2. SERIAL DISPLAY CIRCUIT

A more detailed drawing of the player tracking module **44** is shown in FIG. 5. In FIG. 5, the serial display circuit **101** includes a transistor Q1 and a resistor R1 connected to the base thereof. A conductor **112** is connected between the PT controller **98** and the resistor R1 to provide a drive signal to transistor Q1. The drive signal causes transistor Q1 to conduct a current and thereby drive a display connected to the collector of Q1 at a terminal **114** of a connector **115**. In the preferred embodiment, the terminal **114** is connectable to a small vacuum florescent display to provide serial display data thereto.

3. SERIAL EXPANSION PORTS

The player tracking module **44** also includes two serial expansion ports **104** and **106**. Each of the expansion ports **104** and **106** includes a differential to single-ended converter **116** and **118**, respectively. In the preferred embodiment, these converters **116** and **118** are part number LTC490 manufactured by Linear Technology Corporation of Milpitas, Calif. The PT controller **98** communicates with each converter via two single-ended, serial signal lines: an input signal line and an output signal line. The converters convert the single ended signals appearing on these lines to differential signals. The differential signals, however, can be used as single-ended signals as is known in the art. The first expansion port **104** interfaces the player tracking node **44** with a large vacuum florescent display **102** (FIG. 5) used to display player tracking messages, as described further below. The display is connected to the connector **115**, in the

preferred embodiment, by a cable **103**. The other expansion ports **106** provides the player tracking module with future expansion capabilities to support additional features.

4. CARD READER

Referring now to FIGS. 6 and 7, the card reader **100** will now be described. FIG. 6 shows the electrical schematic for the card reader while FIG. 7 shows the mechanical drawing thereof. In FIG. 7A, an exploded view of the card reader is shown. The card reader includes a plastic bezel **116** having a card reader opening **118** formed therealong for receiving a card **120** therein. The bezel **116** includes guide rails **122** and **124** disposed at opposite, respective lateral ends of the opening **118**. The guide rails **122** and **124** have stops **126** and **128**, respectively. The guide rails **122** and **124** guide the card **120** through the opening **118** until an end of the card **120** contacts stops **126** and **128**. The card is shown fully inserted in FIGS. 7B and 7C with the end of the card **120** abutting the stops **126**, **128**.

The card reader also includes a printed circuit board **130** having a longitudinal opening to allow the guide rails **122** and **124** to be inserted therein in order to allow the printed circuit board **130** to be pushed up flush against a mounting plate **132** of the bezel **116**, as shown in FIGS. 7B and 7C. Mounted on one side of the printed circuit board **130** is an array of photodiodes **134** and an array of photodetectors **136**. The photodiodes **134** are mounted on the printed circuit board along one side of the opening in the printed circuit board, while the photodetectors **136** are mounted on the printed circuit board along an opposite side of the opening. The photodiodes and the photodetectors are vertically aligned in a one-to-one relationship, i.e., one photodiode for each photodetector. In the preferred embodiment, the array of photodiodes includes eight individual diodes spaced equidistance along the opening in the printed circuit board **130**. The photodiodes **134** are mounted along the opening in the printed circuit board **130** so as to align with separate rows of openings in the card **120**, as described further below. The card reader also includes optional light masks **138** and **140**. The light mask **138** is associated with the array of photodiodes **134** and has a plurality of openings therein, each opening corresponding to an individual photodiode in the array **134**. Similarly, light mask **140** is associated with the array of photodetectors **136** and also has one opening for each of the photodetectors. The light mask **138** is mounted on the printed circuit board **130** beneath the array of photodiodes **134** along the opening in the printed circuit board **130**. The light mask **138** is aligned with the photodetectors **134** so that the openings in the light mask **138** are directly beneath a corresponding photodiode in the array. The light mask **138** minimizes the amount of light emitted by a photodiode that can be detected by a photodetector other than the corresponding photodetector. The light mask **140** is mounted on top of the photodetector array **136** so that the openings therein align with the individual photodetectors. The light mask **140** further eliminates extraneous light from the photodiodes as well as extraneous ambient light.

Also mounted on the printed circuit board **130** are a plurality of light-emitting diodes **142**, as shown in FIG. 7C in broken line. The light-emitting diodes are mounted on a side of the printed circuit board opposite the side on which the photodiodes and photodetectors are mounted on. The light-emitting diodes **142** are mounted around the perimeter of the opening in the printed circuit board **130** and are received in a recessed portion **144** of the bezel **116**. The light-emitting diodes **142** comprise a means for providing visual feedback to a user inserting a card **120** into the bezel **116**, as described further below. In the preferred

embodiment, the light-emitting diodes **142** are dual light-emitting diodes capable of producing two primary colors and a third combination color.

Referring now to FIG. 6, an electrical schematic of the card reader is shown. The schematic includes the array of photodiodes **134** disposed along one side of the card reader opening **118** and the array of photodetectors **136** disposed along the opposite side of the opening **118**. In the preferred embodiment, there are eight photodiodes and eight corresponding photodetectors. The photodiodes are arranged in pairs, with the two photodiodes within each pair being connected in a serial fashion. The anode of the first photodiode in the pair is coupled to the supply voltage through resistor, while the cathode of a second photodiode in the pair is connected to an output of a driver circuit **144**. The driver circuit, in the preferred embodiment, includes two open collector inverters connected in parallel. A signal is provided to the driver circuit **144** by the PT controller **98** over a conductor **146**. A signal on conductor **146** causes the driver circuit **144** to conduct current and thereby actuate the photodiodes **134** substantially simultaneously.

The photodetectors **136** are comprised of a plurality of light-sensitive phototransistors PD1–PD8. The emitters of the phototransistors PD1–PD8 are all coupled to ground. The collectors of phototransistor PD1 and PD8 are connected together and to a conductor **148** by which the PT controller **98** senses light detected by either phototransistor PD1 or PD8. Phototransistors PD2 and PD7 are similarly connected with the collectors of each being connected to a conductor **150**. The collectors of phototransistors PD3 and PD6 are also commonly connected to a conductor **152**. The collectors of the center phototransistors PD4 and PD5, however, are connected to separate conductors **156** and **154**, respectively. Also connected to each of the conductors **148–156** is a corresponding pullup resistor. In the preferred embodiment, the pullup resistors are included in a resistor pack **158**. Each of the conductors **148–156** are connected to a connector **170**, which is coupled to the PT controller **98** as described below.

Based on the above configuration of the phototransistors PD1 and PD8, only five conductors are required to sample all eight of the phototransistors. Without more information, however, the player tracking controller **98** would be unable to determine which of the two phototransistors commonly connected to a particular conductor, e.g., conductor **148**, detected light. For example, if either phototransistor PD1 or phototransistor PD8 detect light, the voltage level on conductor **148** will drop from a high voltage of approximately 5 volts to a low voltage of approximately 0.7 volts. Without more information, the player tracking controller **98** would be unable to determine which of the two phototransistors, PD1 or PD8, actually sensed the light. According to the invention, however, the card **120**, as shown in FIG. 7A, includes a first slot **150** by which the PT controller **98** can determine which of the two photodetectors detected the light, as described below.

The card **120** includes five rows of slots **152–160**. The rows of slots **152–160** are arranged in a matrix with the corresponding slot locations within each of the rows being aligned in columns. Only the first slot **150** of row **152** cannot be aligned with any other slots, i.e., slot **150** is in a column all by itself. The individual slots within the rows of slots **152–160** encode unique player tracking information. Each slot represents a single binary bit in the player tracking information. Either one of two conventions can be used to encode the information. First, a slot can represent a binary 1 and no slot can represent a binary 0. Second, a slot can

represent a binary 0 and no slot can represent a binary 1. The player tracking information can include: a unique player identification number, the casino issuing the card, player membership information, etc.

In the preferred embodiment, the card includes five rows of slots each having a maximum number of nine individual slots, thereby producing **45** possible slots. The first row of slots **152**, however, is not used to encode player tracking information, but instead is used to synchronize the sampling of the player tracking information by the player tracking controller **98**. Thus, only **36** slots are used to encode player tracking information in the preferred embodiment. This still allows 2^{36} possible combinations, which is more than adequate.

The PT controller **98** uses the first row **152** to synchronize the sampling as follows. The PT controller **98** continuously samples the outputs of PD4 and PD5 looking for a slot. If a slot is detected on either PD4 and PD5 and no other slots are detected by any other phototransistors the PT controller **98** determines that the detected slot must be slot **150**. The PT controller **98** then continuously samples the output of the phototransistor that detected slot **150**. Once a new slot is detected by that phototransistor, the PT controller **98** then samples the outputs of the other phototransistors, i.e., PD1–PD3 and PD6–PD8, on conductors **148**, **150** and **152** for slots in of the other rows. Thus, the PT controller **98** synchronizes the sampling of the other rows of slots to the detection of a slot in the first row **152**.

It is important for the card reader to detect the orientation of the card in order to correctly interpret the player identification information encoded on the card. The card reader detects the orientation of the card **120** by detecting the slot **150**. If slot **150** is detected by phototransistor PD4, then the card reader knows that the card is in the orientation shown in FIG. 7A. In that case, the card reader knows that the player tracking information is actually being detected on phototransistors PD5–PD8, and can interpret the player tracking information accordingly. If, however, phototransistor PD5 detects slot **150**, then the card reader knows that the card **120** is oriented **180** degrees from that shown in FIG. 7A. In that case, the card reader knows that the player tracking information is being detected by phototransistors PD1–PD4, and can interpret the information accordingly. The PT controller **98** can simply transpose the player tracking information sensed on conductors **148–152** depending upon the detected orientation of the card. Thus, the card reader according to the invention is able to correctly interpret the player tracking information regardless of how the player inserts the card **120** into the bezel **116** of the card reader. The invention is able to accomplish this with only five conductors between the eight phototransistors PD1–PD8 and the PT controller **98**.

The card reader further includes a plurality of light-emitting diodes **142** that are mounted on the printed circuit board **130** and received in the recess **144** of the bezel **116**, as shown in FIG. 7C. The LEDs **142** are mounted on the printed circuit board **130** so as to surround the card reader opening **118** as shown in FIG. 6. In the preferred embodiment, the card reader includes **24** dual diodes arranged in pairs. The dual diodes have two separate diodes, each being able to emit a different primary color of light. In the preferred embodiment, the dual diodes emit either red or green light. The dual diodes can also emit a third combination color if the two individual diodes in the dual diode are actuated simultaneously so that the two primary colors combine. In the preferred embodiment, this combination color is approximately orange due to the differences in the intensities of the red and green light.

The dual diodes are essentially treated as two individual diodes. The red diodes R in the dual diodes are driven by a driver circuit 162, while the green diodes G in the dual diodes are driven by another driver circuit 164. The driver circuits 162 and 164 are, in the preferred embodiment, two open collector drivers connected in parallel, as with driver 145. However, other equivalent driver circuits would be apparent to those skilled in the art.

The dual diodes are arranged in pairs with the anodes of one of the dual diodes being coupled to the supply voltage +5 V and the cathodes of the other dual diode being connected to the output of the corresponding driver circuit. Accordingly, the red diodes are commonly driven by driver circuit 162, which is responsive to a signal received from the PT controller 98 on conductor 166. Similarly, the green diodes are commonly driven by driver circuit 164, which is responsive to a signal received from the PT controller 98 on conductor 168. Therefore, the PT controller 98 can selectively actuate the red diodes, the green diodes or both by generating the corresponding signals on conductors 166 and 168.

All of the conductors over which the PT controller communicates with the card reader, i.e., 146-156 and 166-168, are connected to a connector 170 as shown in FIGS. 6 and 7A. The player tracking module 44 then includes a cable 172 that is connected between the connector 170 and the PT controller 98, as shown in FIG. 5.

Although the preferred embodiment of the card reader is an optical card reader, the invention is not limited to such. The lighted bezel can be used in conjunction with any form of card reader such as a magnetic card reader, a bar code reader, etc. The method of providing visual feedback to the player herein described is a general method which can be used with a plurality of cards and card readers.

5. DISPLAY

Referring now to FIG. 8, a schematic for the display circuit 102 of the player tracking module 44 is shown. The circuit 102 includes a display controller 174, which in the preferred embodiment is a part number HD6473258 P10 manufactured by Hitachi of Tokyo, Japan. Coupled to the display controller 174 is a memory 176 via bus 178. The memory 176, in the preferred embodiment, is a 32 KB SRAM. The memory 176 stores the variables and parameters necessary for the controller 174 to communicate with both the PT controller 98 and the display driver 186. The bus 178 includes the necessary address lines, data lines and control lines to interface in memory 176.

In the preferred embodiment, the display 102 includes a vacuum fluorescent display (VFD) 184, which is organized as a 16x192 display matrix. Such displays are well-known in the art of digital electronics. The VFD 184 is driven by a driver circuit 186, which includes a plurality of individual drivers serially interconnected. In the preferred embodiment, these serial drivers are part number UCN5818 EPF-1, manufactured by Allegro Microsystems, Inc. of Worcester, Mass. The driver circuit 186 is connected to the VFD 184 by bus 188, which includes 160 individual conductors. The manner in which the 160 bus lines are connected between the driver circuit 186 and the VFD 184 is known in the art, and is therefore not described in detail herein.

The display controller 174 interfaces with the driver circuit 186 by a plurality of signal lines 190. These signal lines transmit the standard driver interface signals to the driver circuit 186. These signals include: a clock signal CLOCK, serial input data signal SDATA, a frame signal FRAME, a strobe signal STROBE, two output enable sig-

nals OE1/and OE2/, a column clock signal COL CLOCK, and a column output enable signal COL OE/. These signals have well known functions in the display art and are therefore not discussed in detail. The signal names having a "/" represent active low signals while all other signals are active high. The display controller 174 generates these signals in the required sequence in order to serially clock the reformatted display data to the driver circuit. One of ordinary skill in the art could program the display controller 176 to generate these signals in order to display the desired message on the VFD 184 based on the foregoing description.

The display 102 also includes a serial interface 192. The serial interface 192 is the means by which the PT controller 98 communicates a player tracking message to the display 102. In the preferred embodiment, the serial interface 192 includes two opto-isolator circuits: one for the serial send data, the other for the serial transmission data. The display controller 174 is connected to the serial interface 192 over a two conductor serial bus 194, one conductor for receiving serial data from the serial interface 192, the other for transmitting serial data thereto. A connector 196 is also coupled to the serial interface 192. The connector 196 includes four terminals. Two of the connector terminals are dedicated to receiving serial input data and the other two terminals are dedicated to transmitting serial data. A cable (not shown) couples the display 102 to the player tracking module 44 between connectors 196 (FIG. 8) and connector 115 (FIG. 5).

6. DISCRETE INPUT SECTION

The display 102 further includes a discrete input section 198. The discrete input section 198 is an interface between the discrete outputs of a gaming device and the display controller 174 much in the same way that the discrete machine interface 72 allows the data communication node to interface with a gaming device. Although in the preferred embodiment the discrete input section is unconnected to any discrete machine inputs, the discrete input section 198 allows the display 102 to operate as a stand-alone module for gaming devices in certain configurations. The discrete input section provides discrete input signals from an external device to the display controller 174 over a bus 200. The discrete input section 198 includes opto-isolator circuits such as part number TLP620 manufactured by Toshiba Corporation of Tokyo, Japan which provide single-ended input signals to the display controller 174.

D. PERSONALITY BOARD

Referring now to FIG. 9, a personality board 202 is shown in schematic form. The personality board 202 uniquely identifies the gaming device on the network. The personality board 202 indicates the type of gaming device, e.g., slot machine or video poker, including the manufacturer, and provides a unique machine identification number that the host computer can use to uniquely address the gaming device. The personality board 202 allows the devices to be readily removed and reinstalled in the network without any manual reconfiguration by the operator, such as resetting dip switches.

The personality board 202 couples the data communication node 42 to a gaming device. The personality board 202 includes two connectors 204 and 206 and an identification circuit 208. The connector 204 couples to the data communication node 42, as described further below. The connector 206 connects to the particular gaming device. The components shown in FIG. 9 are mounted on a printed circuit board that is mounted inside a connector harness (not shown). The personality board allows the DCN to be easily removed and reinstalled from the network with minimal effort.

The personality board uniquely identifies the machine by providing both a configuration number, which indicates the type of gaming device that is connected to the connector **206** and a unique identification number, which is used by the system **10** to maintain records on the machine. The configuration number includes a six bit binary number which indicates the type of gaming device connected to the personality board **202**. Each machine type is assigned a unique configuration number. This configuration number is encoded on lines CNFG0–CNFG5, which are connected to terminals **204Q–204V**, respectively, of connector **204**. Each line represents one bit of the binary configuration number. The individual lines are either tied to a supply voltage to represent a binary one or to ground to represent a binary zero. The six bit configuration number used in the preferred embodiment can encode up to 2^6 different combinations and, therefore, different machine types. The configuration number for the embodiment shown in FIG. 9 is equal to 3CH.

The configuration lines CNFG0–CNFG5 are coupled to the inputs of parallel to serial converter **86** (FIG. 3) through a connector (not shown). The terminals **204Q–204V** of connector **204** have corresponding terminals **85Q–85V** of connector **85**, as indicated by corresponding lettered suffixes. This same lettering convention is used throughout.

The configuration number is used by the DCN controller **46** as a means of interpreting the discrete input signals received from the machine through connector **206**. Individual conductors coupled between connector **204** and **206** are labeled to correspond to the machine type having a configuration number 3CH. For a different machine type having a different configuration number, many of these conductors may have different functions. By providing a unique configuration number, the DCN controller can interpret the signals received on these lines accordingly.

The personality board **202** also includes an identification circuit **208** which provides a unique machine identification number to the data communication node **42**. The unique identification number is stored in a nonvolatile memory **210** and provided to a terminal **204N** on conductor ID. In the preferred embodiment, the nonvolatile memory **210** is a part number DS2224 manufactured by Dallas Semiconductor of Dallas, Tex. In the preferred embodiment, the nonvolatile memory **210** includes a 32 bit ROM having a factory-lasered unique serial number stored therein. This serial number, i.e., the machine identification number, can be read out of the memory **210** by the DCN controller **46** to uniquely identify the machine connected thereto. The protocol for reading the identification number out of the memory **210**, as is described in the data sheet for the part, is well known in the art.

The identification circuit **208** includes a number of discrete components. The memory **210** has a zener diode **212** coupled across the power and ground terminals of **213** and **215** thereof. The identification circuit **202** also includes a first diode **214** coupled between the power terminal **213** and a data output terminal **217**. The circuit **208** further includes a second diode **216** coupled between the data output terminal **217** and the ground terminals **215**. A resistor **218** is interposed between the data output terminal **217** and the connector terminal **204N**. The terminal **204N** is coupled to a corresponding terminal **74N** of connector **74** (FIG. 4) by a bus **220** (FIG. 2).

The discrete outputs from the machine, e.g., coin in, coin out, etc., are also supplied to the data communication node **42** via bus **220**. The bus **220** connects connector **74** of the data communication node **42** and the connector **204** of the personality board **202** such that terminals having corresponding lettered suffixes are connected. For example, ter-

terminal **74C** of connector **74** is connected to terminal **204C** of connector **204** by a individual conductor within bus **220**. All the other terminals are similarly connected by the bus **220**.

The network interface **49** of the data communication node **42** is also coupled to the personality board by a bus **222**, as shown in FIG. 2. Bus **222** includes four conductors which connects the four terminals of connector **51** with four corresponding terminals of connector **204**, as indicated by the common lettered suffixes. It is over these four lines that the DCN controller **46** indirectly communicates with the floor controller.

The serial machine interface **60** is also coupled to the personality board **202** by a bus **224**, as shown in FIG. 2. The bus **224** includes four conductors which couple four terminals **62DD** and **62EE** of connector **62** with corresponding terminals **204DD** and **204EE**, respectively. It is over these four conductors that the DCN controller **46** communicates reconfiguration commands to the machine. The DCN controller transmits data through the terminal **204DD**, which is provided to the machine on conductor MACHINE RX. The machine responds to the configuration command on the conductor MACHINE TX. The use of these two conductors will become more apparent in the description of the operation hereinbelow.

Although buses **220**, **222**, **224** and **226** have been described as separate buses, the individual conductors within these buses could, and are in the preferred embodiment, combined into a single bus that is connected between the data collection node **42** and the personality board **202**. To connect the data collection node **42** and the personality board **202** a connector (not shown) is mounted on the data collection node **42** and a mating connector (not shown) is mounted on the personality board **202**. The two connectors are then mated together to connect the data collection node **42** to the personality board **202**. The personality board is then coupled to the corresponding gaming device by a cable **225** (FIG.2).

E. BONUS DISPLAY DRIVERS

Referring now to FIGS. 10 and 11, two bonus display drivers are shown. The data communication node **42** is designed to support either of the display drivers. The data communication node **42** is coupled to the display driver of FIG. 10 through connector **228**. An opto coupler **230** optically isolates the data communication node from a triac circuit **232** which includes a triac **234**. One terminal of the triac **234** is connected to a terminal **236B** of a connector **236**. Another terminal of the triac **234** is connected to a terminal **236C** of connector **236**. A bonus display such as a light or sound generating means is coupled across terminals **236B** and **236C** so that the triac **234** could drive the external bonus display responsive to an actuation signal from the data communication node **42**.

A second embodiment of the display driver is shown in FIG. 11. In this embodiment, the data communication node **42** is coupled to the driver circuit through connector **238**. The driver circuit of FIG. 11 includes a relay **240** operatively coupled to a transistor **242**. The relay **240** is a two-position relay which toggles between the two positions responsive to a current passing through transistor **242**. The transistor **242** conducts a current responsive to an actuation signal received on terminal **238B** from the data communication node **42**.

The display drivers are used by the data communication node **42** to activate a display on the gaming device which indicates that the machine is now in a bonus mode or condition.

F. FLOOR CONTROLLER

As shown in FIG. 1, the floor controller is directly connected to both the high speed network **38** and a plurality

of gaming devices. The floor controller is responsible for monitoring the activity of each of the gaming devices connected thereto and reporting this activity to the database **32**. In addition, the floor controller is responsible for transmitting a reconfiguration command to a selected one or more of the gaming devices during certain bonus conditions. These conditions will be described in detail in the operation section below.

The floor controller is connected to the associated gaming devices by current loop networks. Because of the limitations of the current loop network, only a predetermined number of gaming devices can be supported on any one current loop network. In the preferred embodiment, each current loop network supports up to 64 gaming devices. In order for each floor controller to support more than this predetermined number of gaming devices, each floor controller is equipped with a communication board **246**, as shown in FIG. **12**. The communication board **246** supports up to 16 separate current loop networks. The board is a standard size card that fits into one of the ISA card slots in the back of the floor controller. The board includes a male edge connector (not shown) which mates with a female back plane connector (not shown) in the floor controller. The back plane connector provides the floor controller CPU data, address, and control lines to the communication board **246** to enable the communication board and the floor controller CPU to communicate.

The communication board **246** includes eight separate microcontrollers **248A–248H**. The microcontrollers communicate with the floor controller through ISA bus interface logic **247** over buses **249A** and **249B**. The microcontrollers are shown in a daisy-chain connection in FIG. **12**, but any other equivalent interconnection scheme can be used. The data received from the floor controller microprocessor is passed between the microcontrollers from **248A** to **248H**, as indicated by the arrows. Each microcontroller is responsible for passing the data along and determining whether the data includes a message for a machine connected to its corresponding current loop networks.

Each microcontroller is responsible for two current loop networks. Each microcontroller communicates with its associated gaming devices via two corresponding current loop networks. Two serial signal lines **251** connect each microcontroller to a current loop driver circuit **250**. The driver circuit **250** provides the necessary current drive to support the current loop network. Each pair of serial signal lines **251** has a corresponding pair of current loop lines **253**. The current loop driver circuit **250** can either be located on the communication board as shown in FIG. **12** or on a separate printed circuit board (not shown). If located on a separate board, the current loop driver circuit **250** can be connected to the communication board by a cable.

In the preferred embodiment, the last microcontroller **248H** is solely responsible for communicating with the floor controller microprocessor. All of the data received from the machines over the various current loop networks are passed along to the microcontroller **248H** by the associated microcontroller. The microcontroller **248H** analyses the data and determines whether the data needs to be communicated to the floor controller. If not, the last microcontroller records the communication but does not forward the data to the floor controller. This helps off-load some of the floor controller communication processing to the communication board.

II. OPERATION

The above-described system allows a casino in which the system is installed to run promotions on any properly

equipped gaming machines while simultaneously gathering player tracking and accounting data from all machines. The system provides the capability for the casino to select which of the plurality of machines are used in any given promotion. The system further allows any number of different promotions to operate simultaneously.

Each promotion involves sending a reconfiguration command from the floor controller to a gaming device that has been selected to be part of a given promotion over the associated network. Upon receipt of the reconfiguration command, the gaming device reconfigures its payout schedule in accordance with the received reconfiguration command. As described above, reconfiguring a gaming device payout schedule, in the preferred embodiment, includes activating a bonus payout schedule that pays out bonus amounts in addition to the amount determined by the device payout table.

A partial list of the promotions according to the invention include, but are not limited to: a multiple jackpot wherein the gaming device reconfigures its payout to be a multiple of its default payout schedule; a bonus jackpot wherein the gaming device reconfigures its payout schedule to payout an additional bonus amount when certain conditions are met; and a progressive jackpot wherein two or more gaming devices are combined in a progressive jackpot having a progressive jackpot payout schedule. In addition to these, many other promotions are possible by the above-described system for controlling and monitoring a plurality of gaming devices.

The system **10** also allows for improved player tracking. As with standard player tracking, the above-described system monitors and reports how many coins are played by each player. The system **10**, however, also includes the ability to record how long each player spends at each machine and the number of coins won, games played, and hand jackpots won by each player. All this information is stored on the database, which can be later analyzed for future targeted direct mailing campaigns. The player tracking according to the invention also allows the casino to schedule buses and other groups and measure their profitability. The system also allows for cashless play as well as advanced accounting and security features.

Another feature of the above-described system is jackpot announcements. The jackpot announcement feature displays a message on a reader board or display located in the casino which announces a jackpot as soon as a jackpot is won, i.e., as soon as the reels stop spinning. The floor controller generates the jackpot announcement once a DCN connected thereto indicates a jackpot is won. An example of such a message might be: "Now paying on machine **1342**, a jackpot of \$300." With prior art data collection systems, the amount of the jackpot is only known after the payment is made. Even then the system must account for partial pays, hopper empty, etc.

An advantage of the current system over prior art systems is the ability to implement better tournament systems. In a slot tournament, players pay a fee to play. All play during the session is free. The players accumulate credits instead of cash. The person with the most credits at the end of the tournament wins. Games are usually manually altered to provide payouts of 200 to 300% to make the games more fun. The games are altered manually by replacing the read only memory (ROM) in the gaming devices.

One exciting aspect of tournament play is to see who is ahead. No current system can display this information in real time. This is because current systems can only measure

winnings as they are added to the credit meter or paid from the hopper (some casinos use tournament tokens instead). Since credits are usually added at a rate of 10 per second, a 1,000 credit win can take 100 seconds to register. Casinos attempting to create display boards showing who is ahead are frustrated by the lag time. The jackpot announcement of the invention allows casinos to display the player with the most credits by comparing the number of credits for each player. This comparison and display is performed real time as each transaction is completed.

In order to implement each of these features, the various computers and microcontrollers each execute software or firmware. This software and firmware routines are described below. These routines are described with reference to accompanying flow charts. These flow charts would enable one of ordinary skill in the art of computer programming to write a corresponding computer program which the computer or microcontroller could execute.

A. DATA COMMUNICATION NODE

1. POWER UP PROCEDURE

Referring now to FIG. 13, a power up procedure 252 for the data communication node is shown. This procedure is executed by the DCN controller 46 when initially powered up. The first step of the procedure is to validate the RAM to ensure that it is not corrupted and to set up all the DCN hardware. Validating the RAM involves writing known patterns of 1s and 0s to the DCN RAM. This RAM can either be internal to the DCN controller 42 or external as shown in FIG. 2. Setting up the DCN hardware includes initializing timers and interrupts.

Next the DCN controller checks the RAM in step 255 by reading the pattern of 1s and 0s back out of the RAM to ensure that the RAM is fully functional. If the RAM turns out to be defective the DCN controller goes into an endless loop in 256.

2. READING UNIQUE IDENTIFICATION NUMBER

If the RAM is fully functional, the DCN then reads the unique identification number from the personality board. As described above, this unique identification number is stored in a nonvolatile memory 210 on the personality board. Reading the unique ID number out of the nonvolatile memory involves following the memory manufacturer's interface protocol as specified in the nonvolatile memory data sheet. The unique identification number provides a means for uniquely identifying the gaming device.

After the unique ID has been read from the personality board, the DCN processes the discrete machine inputs in step 260. This step will be described in further detail in Subsection 3, MONITORING GAMING DEVICE DISCRETE INPUT below. After the discrete inputs have been processed in step 260, the DCN processes the machine serial interface in step 262. This step is described further below in Subsection 4, PROCESSING GAMING DEVICE SERIAL INTERFACE. Next, the DCN processes the network interface, i.e., the interface between the DCN and the floor controller connected thereto. The process network interface step 264 is described further below in Subsection 5, PROCESSING NETWORK INTERFACE. Finally, the DCN processes the player tracking interface in step 266. This step is described below in Subsection 6, PROCESSING CARD INSERTION. At the completion of step 266 the DCN loops back to step 260 and continuously, sequentially executes steps 260-266.

3. MONITORING GAMING DEVICE DISCRETE INPUT

Referring now to FIG. 14, the DCN step of monitoring the gaming device discrete inputs 260 will now be described.

The DCN first reads the discrete inputs on input lines 76 in step 267. One particular set of discrete inputs is shown in FIGS. 4 and 9 for a particular gaming device. The actual discrete inputs present will depend on the machine type, as indicated by the configuration number, which is also read by the DCN controller 46. Most gaming devices provide at least some of the following discrete inputs: coins in, coins out, coins to drop, games played, attendant paid jackpots, slot door, drop door, progressive jackpots, and bill validators. The system supports all of these discrete inputs as well as others.

The DCN keeps track of the machine activity by maintaining several meters in memory. Each meter, in the preferred embodiment, includes six digits. Moreover, to improve the reliability of the system, the DCN maintains redundant backup copies of these meters with an order to replace the original meters in the event that the originals are corrupted. In step 268, the DCN increments the meters as required based on the discrete inputs. The meters are maintained even in the event that the DCN is disconnected from the floor controller. Once the DCN is reconnected to the floor controller, all the activity level information is then available. Step 268 will be discussed further below.

Next, the DCN processes the drop door signal in step 270. The drop door signal DROP DOOR indicates that the drop door on the machine has been opened. This is an important event and is therefore processed separately.

In step 272, the DCN validates the meter values to determine whether the values stored in the meters are valid. The DCN checks whether the meter values are valid in step 274. In the preferred embodiment, a check sum is maintained for each meter value. Thus, the DCN in step 274 checks to see whether the check sum is correct based on the current meter value. If the meter values are okay, the discrete input monitoring step 260 is complete. If the meter values are not valid, the DCN replaces the meter values with the redundant back copy of the meter values in step 278, and then the step 260 is complete.

Referring now to FIG. 15, increment meter step 268 is shown in further detail. The sequence shown in FIG. 15 is repeated for each meter value that has changed. The first step is to adjust the meter value based on the discrete inputs and to calculate the associated check sum. Next, the DCN determines whether the particular meter has an active associated countdown count in step 282. Some games or promotional activities require the player to reach a certain level of activity in order to be eligible for certain bonus points. These countdown counts are used to determine whether the player has achieved this level of activity. For example, the player may be required to play a certain number of coins before being awarded any points. If the countdown count is active, the DCN adjusts the current players count down values in step 284 based on the corresponding adjustment of the associated meter.

In step 286, the DCN sets the current message to the count down message. The count down message indicates to the player when he or she will be eligible for the bonus points. Finally, in step 288 the DCN sets the current bezel color and rate to a count down color and rate. This color and rate information is subsequently transmitted to the player tracking node for processing, as described further below. The countdown color indicates the bezel color and the count down rate indicates that flashing rate of the bezel color displayed during the count down message.

4. PROCESSING GAMING DEVICE SERIAL INTERFACE

Referring now to FIG. 16, a process 262 for processing the gaming device serial interface is shown. The serial

machine interface **60**, as shown in FIG. 2, allows the DCN controller **46** to communicate with the gaming device through the personality board. This serial machine interface allows the DCN controller **46** to transmit reconfiguration commands to the gaming device in order to reconfigure the payout schedule of the machine in accordance with the reconfiguration command. In addition, the serial machine interface provides an additional means for determining the activity level of the gaming device. Instead of reading the discrete machine inputs, the DCN controller **46** can transmit a status request command to the machine over the serial interface and the machine can respond back with the requested status information.

Any communication protocol can be used to implement this communication path over the serial machine interface, as is known in the art. An example of one such protocol uses a data packet including a command code, a message sequence number, a CRC, and a variable length message. In the preferred embodiment, either the DCN controller **46** or the machine can initiate communications over the serial machine interface. However, if the machine detects that the DCN is trying to send a message to the machine, the machine must abort its message and attempt to resend the message at a later time.

The preferred embodiment of the system supports many different reconfiguration commands. A partial list of the reconfiguration commands is given below in Table 1. These reconfiguration commands are sent from the DCN controller **46** to the machine over the serial machine interface wherein the machine reconfigures its payout schedule in accordance with the particular reconfiguration command. The reconfiguration commands do not originate with the DCN, instead the reconfiguration commands originate from the floor controller and are transmitted to a particular machine over the associated current loop network or the command can originate at one of the other computers on the high speed network. The DCN is simply responsible for forwarding the reconfiguration command onto the gaming device on receipt of the reconfiguration command over the associated current loop network coupled between the floor controller and the DCN.

Table 1—EXAMPLES OF RECONFIGURATION COMMANDS

1. Bonus Pay From Hopper (Coin Format)
2. Bonus Pay to Credit Meter (Coin Format)
3. Bonus Pay from Hopper (Dollar Format)
4. Bonus Pay To Credit Meter (Dollar Format)
5. Add Non-cash outable credits to Game
6. Begin Double Jackpot Time
7. Stop Double Jackpot Time

The actual process of processing the machine serial interface begins in step **292** wherein the DCN polls the machine to determine its level of activity. This polling step includes sending a status message from the DCN to the machine over the serial machine interface. In response, the machine will send a packet of status information indicating the current amount of activity on the machine. The status information included in the response will depend on the type of machine that the DCN is communication with.

The data communication node **42**, in step **294**, waits for a reply to the status request. If a reply is received, the DCN indicates that the machine is "on line" in step **296** and processes the machine reply in **298**. The step of processing the machine reply includes updating the meter values, as done when processing the discrete inputs. After the machine reply has been processed, the process **262** is complete.

If the DCN does not receive a reply from the machine in step **294**, the DCN indicates that the machine is "off line". The DCN will wait for a predetermined amount of time before deciding that the reply is not received. In the preferred embodiment, this predetermined period is approximately 110 milliseconds.

5. PROCESSING NETWORK INTERFACE

Another step in the DCN power up procedure **252** is the step of processing the network interface **264**. This step is described with reference to FIGS. 17-19. The network interface refers to the current loop that connects the particular DCN with the associated floor controller. The following description assumes that the DCN has received a valid message from the associated floor controller. Because there are multiple DCNs connected to any one current loop, the floor controller must include some means for addressing a particular machine.

Although each machine includes a unique identification number which could be used as the actual address for each DCN on the current loop, it is unnecessary to use the unique identification as the actual address because there are only a limited number of DCNs connected to each current loop. Accordingly, in the preferred embodiment of the invention, the floor controller uses a shorthand token representation of the DCN's unique identification number to address the DCN. In the preferred embodiment, a single byte address is used to address a DCN on any given current loop. This one-byte address allows up to 256 DCNs to be supported on any given current loop network. In the preferred embodiment, however, only 64 such DCNs are connected to a single current loop and therefore the single byte address is more than adequate. The single byte address substantially reduces the amount of traffic on the current loop network by reducing the number of bytes from four in the unique identification number to one for the shorthand token representation.

The floor controller is responsible for generating the unique single byte address for each data communication node on a given current loop network. The process of assigning unique single byte addresses to the DCNs is described below in Section C.

Once all the DCNs have been assigned a unique address, the DCN can begin monitoring the current loop network for messages addressed to it. If the DCN detects a message addressed to it, the DCN executes step **264**. The DCN first checks to see whether the message is valid in step **304**. This check is done by computing the CRC value of the message and comparing it to the CRC included with the message. If the two CRCs match, the message is valid and the DCN processes the network message in step **306**. Processing the network message is described further below with reference to FIGS. 18 and 19. Once the message has been processed, the DCN sends a reply back to the floor controller over the current loop network in step **308**. The actual substance of the reply will depend on the message received in step **306**. If the message is invalid, the DCN does not reply.

Referring now to FIG. 18, the first step of processing the network message is to determine what type of message was sent from the floor controller in step **312**. There are three basic types of messages that the floor controller sends to the DCN. The first is a request for data from the DCN. If this type of message is detected the DCN builds the data requested and transmits the data in a reply message. The main use of this message type is to gather status and meter information from the DCN.

Another type of message is one including configuration data for the DCN. This message allows the floor controller

to implicitly set the DCN's memory to a fixed value. This message is used to override the DCN's internal variables, e.g., to get a DCN out of a lock-up condition, or to download new firmware to the DCN for execution. On receiving this type of message, the DCN simply overwrites its memory with the configuration data included in the configuration message in step 316. The DCN then builds an appropriate acknowledgment and transmits this acknowledgment message to the floor controller in step 320.

The other type of message is one sent in response to a DCN request. The DCN processes this data in step 318, which is described further in FIG. 19. If the message includes either the configuration data or the data in response to a DCN request, the DCN builds an acknowledge message in step 320 and transmits this message to the floor controller.

The step of processing a floor controller message sent in response to a DCN request will now be described with reference to FIG. 19. The first step of processing this type of message is for the DCN to determine what type of data is included in the message. Once again there are three types of data that can be included in this message type: a reconfiguration command, card data, or other minor data. The DCN makes this determination in step 324 by analyzing one of the bytes in the data packet of the message. This byte will be referred to herein as the command byte. If the command byte indicates that the message contains reconfiguration data, i.e., the command byte equals a reconfiguration command, the DCN stores the reconfiguration data in a predefined data structure in memory. Listed below in Table 2 is an example of a data structure for storing the reconfiguration data.

TABLE 2—RECONFIGURATION DATA STRUCTURE

1. Bonus Type
2. Mystery Jackpot Data:
 - A. Number of coins to award
 - B. Number of seconds to award
 - C. Pay award to
3. Bonus Time Data
 - A. Jackpot Multiplier
 - B. Jackpot Payout Limitations
 - C. Number of Seconds to Keep Bonus Time Active
 - D. Minimum Activity Level

The bonus type field of the data structure indicates the type of bonus state the machine is to be placed in. Examples of potential bonus modes include progressive/nonprogressive, multiple jackpot, or mystery jackpot. If the mystery jackpot is indicated, the mystery jackpot data included in the structure specifies the conditions under which the mystery jackpot is paid out. The mystery jackpot can be set to payout, e.g., after a certain number of coins in, handle pulls, which is specified by subfields of the mystery jackpot data.

The bonus time jackpot is a promotion wherein the machine pays out more than that dictated by its default payout schedule. In one embodiment of the bonus time promotion, the payout schedule of the machine can be modified to be a multiple of its default to payout schedule, as specified in subfield (A) of the bonus time data. This promotion can be used to encourage gaming activity during off-peak hours, e.g., midnight to 4 a.m. on weeknights. Alternatively, the bonus time promotion can be activated on a random basis. The timing of the multiple jackpot is specified by the casino on one of the computers connected to the network. The bonus time data also specifies the conditions under which the player becomes eligible for the

bonus time jackpot. The subfield (B) of the bonus time data specifies whether the player is eligible for the bonus time data only if the player is playing the maximum coin in the machine. Subfield (C) limits the bonus time promotion to a predetermined number of seconds. This field limits the bonus time promotion to a predetermined number of seconds; if the player does not hit a jackpot within this specified time period, the bonus time promotion concludes. The minimum activity level can also be specified in subfield (D). This field can be used to specify the minimum activity level required by the player in order to be eligible for the bonus time jackpot. For example, the player can be required to play at least 20 coins over the last three minutes in order to be eligible for the bonus time jackpot. An indicator light on the player's machine can be used to indicate when the player reaches the minimum activity level and thereby becomes eligible for the bonus time jackpot.

In another embodiment of the bonus time promotion, a bonus amount is awarded in addition to the payout according to the default of the payout schedule of the machine. The amount of the bonus jackpot is specified in subfield (E) of the bonus time data. For example, this bonus time promotion might include five bonus amounts of \$10, \$25, \$50, \$100 and \$500, which is specified by subfield (E). When a player hits a particular jackpot, whichever bonus amount is specified by the bonus amount subfield this amount is automatically paid out in addition to the payout amount determined by the machine's default payout schedule. This bonus time promotion can also be used in combination with subfields (C) and (D) to specify the conditions under which the player is eligible for this bonus time jackpot award.

After the DCN has stored the reconfiguration data in step 326, the DCN will then send the appropriate reconfiguration command to the machine over the serial machine interface in step 328. The machine, responsive to the received reconfiguration command, reconfigures its payout schedule in accordance with the received reconfiguration command. For example, if the reconfiguration command specifies a multiple jackpot condition, the machine will reconfigure its payout to be a multiple of its default payout schedule. The machine will reconfigure its payout schedule in a similar manner for the other bonus types.

The other type of data that can be included in a response from a DCN request is card data or player tracking data. This data is sent to the DCN in response to a status message from the DCN to the floor controller wherein the status message indicates that a player card has been inserted. Included in this message is the card ID number detected by the card reader. In response to this status message the floor controller will transmit a card insertion message to the DCN. The card insertion message includes information associated with the particular player ID number. An exemplary card insertion message data packet is listed below in Table 3.

TABLE 3—CARD INSERTION MESSAGE DATA PACKET

1. Card Identification Number
2. Player First Name
3. Player Last Name
4. Current Point Balance
5. Casino Code

Upon receipt of the card insertion message, the DCN stores the player's name and points in order for this information to be displayed on the VFD display associated with the player tracking node. Then, a DCN sets the current message to a data received message in step 334. Finally, a

DCN sets the current bezel color and bezel rate to a data received bezel color and bezel rate in step 336. The bezel color specifies the bezel color to be displayed by the card reader and the bezel rate specifies the flashing rate of the card reader LEDs. This bezel information is subsequently transmitted to the player tracking node for processing thereby.

The final data type that can be included in the message sent from the floor controller in response to a DCN request is generically classified as other minor data. This data includes general system or DCN specific information such as display information.

6. PROCESSING PLAYER TRACKING INTERFACE

The next step in the DCN process is processing of the player tracking interface 266. The DCN maintains a variable that indicates what message is to be sent to the player tracking node. This variable is referred to as the current message variable. Before transmitting a message to the player tracking node, the DCN first checks this variable to see which of a plurality of messages should be sent to the player tracking node.

The process 266 begins in 340 by sending the current message to the player tracking node that is specified by the current message variable. In addition to the current message, the DCN sends the bezel color and bezel rate information to the player tracking node. The bezel color and bezel rate information could have been specified by the floor controller or by the DCN itself.

Next, the DCN determines the card status in step 342. If there is no card inserted in the card reader, the DCN sets the current message variable to an attract message. This message specifies that the player tracking node is to display a message which will attract players to the machine. Similarly, the DCN sets the current bezel color and bezel rate to an attract bezel color and rate in step 346. This attract color and rate is part of the attract message that will be sent to the player tracking node when the current message is sent.

If the DCN determines that a good card has been inserted in the card reader, the DCN processes the valid card in step 350. This step is described further below with reference to FIG. 21.

If, however, the card status indicates that a bad card has been inserted, i.e., an invalid card number, the DCN sets the current message variable to specify a card error message in 352 and the DCN sets the current bezel color and bezel rate to a card error color and rate in 354. This card error information is included with the card error message that is sent to the player tracking node when the current message is sent.

7. PROCESSING CARD INSERTION

Referring now to FIG. 21, the process 350 for processing a valid card insertion is shown. The first step that the DCN executes is to determine whether the card data corresponding to the valid card has been received from the floor controller in step 356. If not, the DCN builds a network request message for the player name and points associated with the card ID number in step 358. Next, the DCN sets the current message variable to specify a card inserted message is to be transmitted in step 360. Finally, the DCN sets the current bezel color and rate to a card inserted color and rate, which indicates to the player that the system is still processing the card number. This information is sent to the player tracking node when the current message is sent.

If the card data has been received from the floor controller, the DCN then determines in step 366 whether player tracking has started for the particular player. If player tracking has not yet started, the DCN sets the current

message variable to the data received message in step 368 and sets the current bezel color and rate to data received color and rate in step 370. If player tracking has started, the DCN processes the player tracking in step 372, as described with reference to FIG. 22.

Processing player tracking 372 begins with the step of determining whether the player has received new points in 374. These points can be considered roughly as the equivalent of "frequent flyer miles" used by airlines. These points allow the system to run promotionals whereby individuals are given points or credit associated with their card that can be redeemed toward the purchase of goods or services offered by the casino. Typically these points are redeemed at a redemption counter in the casino for meals or clothing, for example. The points, therefore, are an additional inducement to encourage play.

The player tracking system of the invention allows the casino to determine how and when the player is issued points. The casino can specify the type and number of coins that must be played before a player is awarded a given number of points. The system uses this specified information to inform the player of his or her progress towards receiving additional points. The system encourages play by informing the player of how many additional coins must be played before receiving additional points. For example, a player who is only one coin away from receiving points, but who desires to stop playing, may decide to play "one last coin" in order to receive the points. The system informs the player by displaying a message on the vacuum florescent display indicating how many coins the player is away from receiving additional points.

Referring now to FIG. 22, player tracking 372 begins with the step of determining whether the player has received new points in 374. If no new points have been received, the DCN sets the current message variable to specify a countdown message in step 376 and sets the current bezel color and bezel rate to a countdown bezel color and rate in step 378. The countdown bezel color and rate indicates the player's progress towards being awarded additional points.

If new points have been received, such as where the player has played a given number of coins, the DCN sets the current message variable to a points won message in step 382 and sets the current bezel color and rate to a points won color and rate in step 384. The points won message informs the player of the number of points won.

The above-described tracking process provides a means for providing visual feedback to the player inserting the card into the card reader. By modifying the bezel color and bezel rate, the data communication node provides immediate feedback to the player concerning the proper insertion of the card. If the player inserts the card properly into the card reader so that the card reader senses a valid user identification number, the card reader provides positive visual feedback to the user by illuminating the bezel. On the other hand, if the user improperly inserts the card so that the card reader cannot read the user identification number, the card reader can provide negative visual feedback to the player by illuminating the bezel with a different color and/or flashing rate. In the preferred embodiment, this positive visual feedback includes flashing the green LEDs to produce a flashing green signal around the card reader opening. The negative visual feedback includes flashing the red LEDs. A third combination color is used during the processing of the player tracking information. This process provides immediate feedback to the player concerning the insertion of the card in the card reader.

B. PLAYER TRACKING MODULE

The system described above allows for improved player tracking by recording each and every machine transaction including: time of play, machine number, duration of play, coins in, coins out, hand paid jackpots and games played. The player tracking is conducted over the same network as the accounting data is extracted. This allows the invention to provide bonusing to certain individual players as well as during certain times. As with standard player tracking, the above-described system monitors and reports how many coins are played by each player. The system according to the invention, however, also includes the ability to record how long each player spends at each machine and the number of coins won, games played, and hand jackpots won by each player. The system is able to record all this information because the it operates on a transaction by transaction basis. Each transaction, whether it be a coin in, a handle pull, etc., is recorded by the system. Other prior art systems simply compile the player tracking information at the completion of play.

All the transaction information is stored on the database, which can be later analyzed for future targeted direct mailing campaigns. The player tracking according to the invention allows the casino to schedule buses and other groups and measure their profitability. Because the system records each transaction, the casino can reconfigure their casinos to better match the tastes and demands of their customers.

The improved player tracking according to the invention also allows the casino to calculate theoretical wins exactly because the system always includes the most current information. The operation of the player tracking procedure is described below.

1. POWER UP PROCEDURE

The operation of the player tracking module will now be described with reference to FIG. 23 where the powerup process 400 for the player tracking node is shown. As in the data communication node, the player tracking node first validates the RAM and sets up its associated hardware in step 402. Next, the player tracking node tests the RAM in step 404 to determine whether the RAM is functioning properly. If not, the player tracking node, i.e., player tracking controller, terminates its program in an error condition in step 406. If the player tracking RAM is fully functional, the player tracking node sequentially executes steps 408-414. In step 408 the player tracking controller processes the DCN interface between the player tracking controller and the DCN controller. In step 410 the player tracking controller updates the player tracking display. In step 412 the player tracking controller updates the bezel. Finally, the player tracking controller processes the card reader in step 414. Each of these steps will now be described further below.

2. PROCESSING DCN INTERFACE

Referring now to FIG. 24, the steps for processing the DCN interface are shown. First, the player tracking controller checks for a new message received from the DCN in step 416. If a new message has been received, the player tracking controller overwrites its current message buffer with the new message and updates the bezel color and rate values with those contained in the new current message. Then, the player tracking controller builds a card status reply message in step 420. The card status message indicates whether a card has been inserted and if so whether the card was a good card or a bad card, i.e., the card was read properly by the card reader. If a valid card, the card status reply message also includes the identification number encoded on the card. This step might also involve transposing the number encoded on the card depending on the orientation in which the card was

inserted into the card reader. This card status reply message is then sent to the DCN in step 422.

3. PROCESSING DISPLAY UPDATE

The process of updating the player tracking display is shown in FIG. 25 at 410. This process begins with the player tracking controller scanning the display message for display attribute information. Examples of such display attribute information is given below in Table 4. Each display attribute specifies a different graphic mode for the player tracking display.

TABLE 4- DISPLAY ATTRIBUTE INFORMATION

1. Flash Rate
2. Center Display
3. Set Display Intensity
4. Use Small Lower Font
5. Use Small Upper Font
6. Use Normal Large Font
7. Set Pause Time
8. Set Scroll Speed
9. Center and Melt
10. Center and Scroll Down
11. Center and Scroll Up
12. Scroll Down and Stop
13. Scroll UP and Stop
14. Scroll Left and Stop and End of Message
15. Scroll Down
16. Scroll Up
17. Scroll Right
18. Scroll Left
19. Reverse Video
20. Normal

The player tracking controller then determines whether any such attribute information is found in the display message. If so, the player tracking controller sets up the display driver to incorporate the graphics mode specified by the attribute information. The player tracking controller then strips out any display attribute information from the display message in step 432 because the display attribute information is embedded in the display message. The remaining data in the display message is the actual text to be displayed by the player tracking display, e.g., the player's name. The player tracking controller then sends this text to the display in step 434, which is then displayed by the player tracking display.

4. PROCESSING BEZEL UPDATE

The player tracking node is also responsible for updating the bezel, both in terms of its color and flashing rate. This process 412 is shown in FIG. 26. The first step in processing the bezel update is to determine to bezel color as specified by the DCN and then drive the appropriate LEDs in the card reader. As described above, the preferred embodiment of the card reader includes dual diodes having two primary colored diodes that can be driven separately or in combination to produce three different colors.

Next, the process determines the bezel rate as specified by the DCN. In a first case, the bezel rate is zero or off and thus the player tracking controller turns the LEDs off in step 442 in this case. If the bezel rate specifies a flashing rate, the player tracking controller flashes the bezel at the appropriate bezel rate in step 442. Flashing the bezel involves turning the LEDs on and off at the specified rate. This can be

accomplished by a timer interrupt or a timing loop executed by the player tracking controller. The final option is that the rate can be infinite or effectively a solid bezel color. In this case, the player tracking controller simply leaves the card reader LEDs on in step 446. This completes the processing bezel update process 412.

5. PROCESSING CARD READER

The next process step for the player tracking node is to process the card reader. This process 414 is shown in FIG. 27. The first step is for the player tracking controller to determine the card status in 450. In the preferred embodiment, the card status is determined by comparing the checksum of the card, as read off the card by the card reader, to a computed checksum of the data read off the card. Other methods of determining card status can be used as well depending on the type of card reader employed.

If the player tracking controller determines that a valid card was inserted in the card reader, the player tracking controller sets a card status variable equal to good card. This card status is then subsequently transmitted to the DCN controller. Then, the player tracking controller sets a card ID variable equal to the identification number read by the card reader in step 454. The card status and the card ID provide the DCN with sufficient information to instigate the player tracking.

If, on the other hand, the card reader indicates that the card was read improperly or that the card is an invalid card for the card reader, the player tracking controller sets the card status variable to bad card in step 458 and the card ID variable is cleared in step 460. If neither a valid or invalid card condition was detected in 450, the player tracking controller sets the card status variable to no card in step 462 and clears out the card ID in 460.

C. FLOOR CONTROLLER

1. POWER UP PROCEDURE

Referring now to FIGS. 28-32, the process 464 operable on the floor controller will now be described. The process 464 is shown in FIGS. 28-32 in flow chart forms. These flow charts would enable one of ordinary skill in the art to implement the process in computer software using an appropriate computer programming language.

The floor controller process 464 begins at step 466 by opening the database tables in the file server. As described above, the file server includes a commercially-available database program which stores the machine activity information as well as player tracking information and associated system characteristic parameters. This step 466 can also include fetching some or all of these system characteristics in order to trigger certain events such as bonus jackpots, as described below.

In step 468, the floor controller terminates any active player tracking sessions in the database. Because player tracking may have been in progress when the floor controller became inoperable, when the floor controller powers up or becomes operable, there may be player tracking sessions initially active. In this step, the floor controller terminates any such active player tracking sessions in order to place the database in an initial state.

Another step that the floor controller executes after becoming operable is to place an initial machine search message in an output message queue 470. This search message is used by the floor controller to determine which machines are connected to the floor controller. This output message is subsequently transmitted to all of the machines coupled to the floor controller using a global message format, as described below with reference to FIG. 31. In the preferred embodiment of the invention, the message han-

dling is through the use of message queues. Furthermore, the preferred embodiment is both an output queue for outgoing messages from the floor controller to the machines and an input message queue for messages coming from the machines to the floor controller. Queues are well-known data structures in the art of computer science and are therefore not further discussed herein. Alternatively, the message-handling could be done without the use of the queues. In such an embodiment the outgoing messages would be sent immediately rather than being queued, and any incoming messages would be processed immediately.

The bulk of the work performed by the file server process 464 is performed in message processing step 472. In this step, the floor controller processes all messages sent to or received from the machines connected thereto. This step will be described further below with references to FIGS. 29 through 31.

The process 464 also includes a system monitoring step 474. This system monitoring step 474 administers certain system-wide events. These system-wide events include the counting-related events and bonusing events. The floor controller continuously checks to see whether any of these events have been triggered. If any event has been triggered, such as a bonusing event, the floor controller takes the appropriate action to handle the event. The event may be triggered by the time and day or by user intervention or other event. The system monitoring step 474 will be described further below with reference to FIGS. 32 and 33.

The final step in process 464 is for the floor controller to check for a termination condition in step 476. In the preferred embodiment, the floor controller checks to determine whether an ESCape key as pressed. If an ESC key was pressed, the floor controller terminates the process 464. If no ESC key was pressed, the floor controller loops back to step 472 wherein the message-processing step and the system monitoring step are repeated. The floor controller continues in the loop 472-476 until the termination condition is sensed.

2. MESSAGE PROCESSING

As described above, the floor controller acts as a gateway between the machines connected thereto and the file server, as shown in FIG. 1. The floor controller is responsible for forwarding the machine activity received from the various machines to the database. The floor controller accomplishes this communication through the use of messages. The message processing step 472 is shown in more detail in FIG. 29.

The first step in processing the messages is for the floor controller to send any messages that are queued-up in the output message queue to the appropriate data communication node in step 480. As described above, the output message queue is a simple data structure that is used to store any pending messages. Included in the message is a destination address by which the floor controller can determine which of the plurality of data communication nodes to send the message to. Next the floor controller receives any incoming messages from the data communication nodes coupled to the floor controller in step 482. Once an incoming message has been received, the floor controller parses through the message data included in the incoming message in steps 484 through 486. In the preferred embodiment, the floor controller parses through the message data one byte at a time. Thus, in step 484 the floor controller reads the next byte in the incoming message, and in step 486 the floor controller checks to see whether this is the last byte in the message. In the preferred embodiment, the message includes a message length field which indicates the number of data bytes included in the message. In this case, a floor controller

in step 486 checks to see whether the number of bytes read in step 484 is equal to the number of bytes specified by the message length field.

Once the input message data has been parsed out of the incoming message, the floor controller takes the appropriate match in response to the message data in step 488. This step is described further below with reference to FIGS. 30 and 31. Following the message-handling step 488, the floor controller checks in step 490 to determine whether any response is pending. The floor controller makes this determination by checking a transactions-in-progress structure which indicates whether the floor controller needs to respond to any previous message. If a response is pending, the floor controller queues up an appropriate outgoing message in the output message queue in step 492. Otherwise, the floor controller completes the message processing step 472.

Referring now to FIG. 30, the message-handling step 488 is shown in more detail. The message-handling step begins by verifying that the message data corresponds to a valid message in step 496. In the preferred embodiment, the message includes a cyclical redundancy check (CRC) by which the floor controller can determine whether the message is valid or corrupt. Only if the message is valid will the floor controller perform any additional message-handling steps. The floor controller also parses through the message in step 496 to determine what type the message is. The message type determines the appropriate floor controller action. In the preferred embodiment, the messages include a command code which indicates the type of message.

The first type of message can be one which includes new meter information. The floor controller checks in step 498 to determine whether the message includes this type of information. If the message includes new meter information, the floor controller saves the new meter information locally in step 500. The floor controller maintains local copies of the meter information in order to minimize the amount of traffic on the high-speed network. Because the machine meters change so rapidly, forwarding this new meter information on to the file server each time one of these meters is altered would produce an excessive amount of network traffic on the high-speed network. Therefore, in the preferred embodiment, the floor controller saves this new meter information locally in step 500 and only forwards the new information on to the file server after a predetermined amount of time has elapsed.

Another type of message is one which requests data. The floor controller checks in step 502 to determine whether the message type is one requesting data. Typically, these data requests will be for player tracking information such as where a player inserts a card into a card reader whereupon the data communication associated therewith sends the identification number encoded on the card to the floor controller requesting the player tracking data associated with the player identification number. If the floor controller detects a data request in step 502, the floor controller looks up the requested data in the database on the file server in step 504. Also, in step 504, the floor controller marks a response pending in the transactions in progress structure to indicate that this requested data needs to be sent back to the DCN. As described above, the floor controller queues up outgoing messages responsive to the transactions in progress structure.

Another message type is one used by the floor controller to establish new machine addresses. The floor controller periodically checks to determine whether any new DCN has been coupled to its associated current loop networks in order

to assign a unique address to that machine. In step 506, the floor controller checks to see whether the incoming message is in response to such a process. If the incoming message is in response to a machine search, the floor controller assigns a new machine address to the responding machine in step 508. The entire process of assigning new machine addresses is described below with reference to FIG. 31.

Finally, the floor controller in step 510 handles any miscellaneous messages. These miscellaneous messages are used primarily for debugging and trouble-shooting the machines.

3. ASSIGNING GAMING DEVICE ADDRESSES

As described above, in the preferred embodiment of the invention, the floor controller uses a shorthand token representation of the DCN's unique identification number to address the DCN. In the preferred embodiment, a single byte address is used to address a DCN on any given current loop. This one byte address allows up to 256 DCNs to be supported on any given current loop network. In the preferred embodiment, only 64 such DCNs are connected to a single current loop network and therefore the single byte address is more than adequate. The single byte address substantially reduces the amount of traffic on the current loop network by reducing the number of bytes from four in the unique identification number to one for the shorthand token representation.

The floor controller is responsible for generating the unique single byte address for each data communication node on a given current loop network. The process 508 of assigning unique addresses to the DCNs on the current loop network is shown in FIG. 31. The process begins by defining a range of unique identification numbers in step 512. Initially this will be a large range.

Next, the floor controller sends out a message to all of the DCNs on the current loop network in step 514. The floor controller communicates with the DCNs by using a standard communication protocol. In the preferred embodiment, this protocol defines a message format including a destination ID, a source ID, a message length, a data packet and a CRC. Other message formats could be used as well. Using this format, the floor controller can communicate with all of the DCNs on the current loop network by using a global destination address in the message. This global destination address would indicate to the DCNs that this message is intended for all DCNs on the current loop network. This global message would include two unique identification numbers that, taken together, define the range of unique identification numbers established in step 512.

The individual DCNs then checks to see whether their unique identification number falls within this range. If a DCN's unique identification number falls within this range and the DCN does not have an address assigned thereto, the DCN then responds to this global message by sending a reply message in response that includes the unique identification number of that DCN. In the event that more than one DCN has a unique identification number that falls within this range a network collision will occur and the message will be corrupted. The process 508 checks for this condition in step 516. This condition is indicated by an invalid CRC in the message.

In the event of a network collision, the floor controller can limit the range of unique identification numbers by repeating step 512 in the hope of eliminating this network contention.

If the response has a valid CRC, the floor controller assigns a unique address to the responding DCN, as identified by the unique identification number in the response, in step 518. The floor controller then transmits this address

along with the corresponding unique identification number in an assignment message to all of the DCNs using a global destination address in step 520. The DCNs then process this message and in the event that the unique identification number included in the message corresponds to the DCN's unique identification number, the DCN adopts the address included in the message. Once the DCN has been assigned an address in this manner, the DCN will interpret all subsequent messages having a destination address equal to the assigned DCN address as being directed to that DCN. The above-described address assignment sequence is repeated for each of the remaining DCNs on the current loop network in step 522. The floor controller continues this process until the entire range of unique identification numbers has been covered and no more network collisions occur.

4. SYSTEM MONITORING

Referring now to FIG. 32, the system monitoring step 474 will now be described. The floor controller is now responsible for monitoring certain system-wide conditions to determine whether certain events need to occur. The system monitoring step also handles request for particular machine information. Thus, in step 524, the floor controller determines whether a new request has been placed in the data base for such particular machine information. If such a request has been placed, the floor controller responds to the special request for data in step 526 by sending a message to the particular machine requesting the required information. Once the required information has been received, the floor controller processes this information accordingly.

The floor controller also monitors the locally-stored meter information in step 528. If the locally-stored information is changed, the floor controller saves the latest information to the data base in step 530. As described above, the floor controller saves the meter information locally in order to minimize the traffic to the file server over the high speed network.

The floor controller also monitors the system for certain event triggers in step 532. These triggers can be stored in the data base and fetched by the floor controller during its power-up procedures. These triggers indicate if and when certain events occur. Examples of event triggers include: the drop period, the end-of-day, the bonus period, etc. If an event trigger has occurred, the floor controller handles the event in step 534.

The handle event step 534 is shown in more detail in FIG. 33. The events can basically be bifurcated into accounting events and bonusing events. Accounting events refer to the data communication activity of the system. The accounting events are typically triggered by a certain time of day such as the end of day or the drop period. If an accounting event has been triggered, the floor controller performs the required data base operations in step 538. This step involves updating all of the locally-stored meter information and storing the updated meter information into the data base.

The other type of event can be referred to as a bonusing event. The floor controller checks to see whether the event is a bonusing event in step 540. The bonusing events can also be triggered by the time of day. For example, the bonusing event may be triggered from midnight to 4:00 a.m. on weekdays. These bonusing periods can be specified in the data base. If the triggered event is a bonusing event, the floor controller inserts a corresponding reconfiguration message in the output message queue in step 542. The reconfiguration message includes a reconfiguration command that is sent to an appropriate machine. The machine, upon receiving the reconfiguration command, reconfigures its payout schedule in accordance with the received reconfiguration command.

According to the invention, there are many different reconfiguration commands to implement a multiplicity of different bonusing events. One reconfiguration command specifies that the machine should reconfigure its payout schedule to be a multiple of its default payout schedule. This reconfiguration command can also specify that the multiple payout schedule should be limited to a predetermined percentage of the coins in. This reconfiguration command can further specify that the multiple payout schedule should be limited to only when the maximum coins are played. This reconfiguration command can further specify that the multiple payout schedule should be limited to payouts in a specified range. This reconfiguration command can also specify the multiple payout schedule should payout only when a predetermined level of player activity is reached.

Another reconfiguration command allows any number of machines on the network to be combined in a common jackpot having a common jackpot payout schedule, wherein the reconfiguration command reconfigures the selected machines to payout in accordance with the common jackpot payout schedule. In this case, the reconfiguration message would be queued up for each of the selected machines to be combined in a common jackpot. One example of a common jackpot is a progressive jackpot. Unlike the prior art progressive jackpot systems, however, the progressive jackpot according to the invention is not limited to a predetermined number of machines. In the prior art progressive jackpot systems, a bank of machines are connected to a common progressive jackpot controller and only those machines can be included in the progressive jackpot. In contrast, any machine on the network, including those connected to other floor controllers can be combined into a common progressive jackpot. Moreover, the number of progressive jackpots is not limited by the number of floor controllers since one floor controller can manage more than one progressive jackpot.

Another reconfiguration command permits the system to implement so-called "automatic mystery jackpots." These "mystery" jackpots allow a machine to payout a mystery jackpot even when a jackpot was not won. Instead, the reconfiguration command can specify that the mystery jackpot is to occur after a certain number of coins, a certain number of handle pulls, or a variety of other conditions specified by the reconfiguration commands. These mystery bonuses provide the casino with another way to induce additional gaming activity.

5. BONUS CONTROL

Referring now to FIG. 34, a method 550 for controlling the conditions under which the above-described bonus activities are activated is shown. It is essential for the system to have complete control over the amount and conditions under which a bonus is paid out in order to insure the profitability of the bonusing system. The method 550 described below provides the required control.

The method 550 begins in step 552 by disabling or turning off the bonuses in the individual machines. This is accomplished by sending a message to the individual DCNs to turn off or deactivate bonusing. Next, the floor controller monitors the activities of the individual machines connected thereto. This step includes monitoring the coins in and bonuses paid for the individual machines, as described above. In step 556, the floor controller modifies a bonus pool by a predetermined percentage of all coins played. The bonus pool is essentially a pool of monetary resources that can be allocated for bonus awards. In the preferred embodiment, a predetermined percentage of the monetary value of the coins played are added to the bonus pool. Also

in this step, any bonuses paid by the gaming devices are also measured and subtracted from the bonus pool. The use of the bonus pool will become more apparent when the other steps are described hereinbelow.

In step **558**, the floor controller determines whether or not bonusing is active. If bonusing is active, the floor controller next determines whether the bonus pool amount has dropped below a predetermined minimum level called the "turn-off" level in **560**. This minimum amount or floor can be set by the casino and provides a buffer to account for large bonus awards and/or multiple bonus awards that could cause the bonus payout to exceed the bonus pool. Therefore, if the bonus pool drops below the turn-off level, the method **550** branches back to step **552** and turns off bonusing. As will described further below, the bonusing remains off until such time as the bonus pool builds up past another minimum level called the "turn-on" level.

Returning to step **558**, if the bonus is currently not active, the floor controller determines at step **562** whether the bonus pool has reached a predetermined turn-on level. This turn-on level can also be set by the casino and provides a buffer above the turn-off level to insure that the bonusing does not behave erratically, i.e., bonusing rapidly switching between on and off. If the bonus pool is not above the turn-on level, bonusing is again turned off in step **552**.

If the bonus pool has reached the turn-on level, the floor controller checks to see whether other bonus conditions are met at step **564**. These bonus conditions can include, but are not limited to, a minimum period of time since the last bonus activation, a minimum level of play in the time period prior to the bonus pool reaching the turn on level, a predetermined time of day, or other predetermined conditions. These conditions give the casino additional control over the bonusing promotions. If the conditions are not met, the method **550** branches back to step **552** where the bonusing is again turned off. If, however, the conditions are met in step **564**, the bonus is turned on at step **566** and the method **550** branches to step **554** where the machine activity is again monitored.

In the preferred embodiment, the method **550** is embodied in software that is executed by each of the floor controllers in the system. These floor controllers are then responsible for activating or deactivating the bonusing for the individual machines connected thereto. The system allows the floor controller to have multiple bonus pools and to have certain of the machines associated with a given bonus pool. Thus, the floor controller can implement multiple bonusing promotions simultaneously.

This system also allows for machines connected to different floor controllers to be combined into a single bonusing promotion. In this case, one of the floor controllers assumes primary responsibility for managing the bonus pool while the other floor controllers act as intermediaries between the primary floor controller and the machines connected to the other floor controllers. Thus, the system according to the invention allows for much greater flexibility in running bonusing promotionals than heretofore possible. Prior art systems required certain predetermined machines to be connected into a bank for any given bonus award such as a progressive bonus. The system according to the invention allows any machine in the casino to be combined in a bonus type situation. The system also insures that the bonusing promotionals will operate substantially in the black, i.e., the bonus pool is greater than the bonus payouts.

Having described and illustrated the principles of the invention in a preferred embodiment thereof, it should be apparent that the invention can be modified in arrangement

and detail without departing from such principles. For example, although an Ethernet network was described in the preferred embodiment of the invention, other high-speed networks such as wireless networks could be used in place thereof. I claim all modifications and variation coming within the spirit and scope of the following claims.

We claim:

1. A method of operating gaming devices interconnected by a host computer having a user-operated input device comprising:

associating each gaming device with a unique address code;

preselecting less than all of the gaming devices interconnected by the host computer responsive to a user-effected action at the input device which identifies the preselected gaming devices with the respective associated address codes;

using the network to track activity of the preselected gaming devices;

initiating a bonus play period;

issuing a command over the network to each of said preselected gaming devices responsive to initiation of the bonus play period; and

paying a bonus at each of said preselected gaming devices in accordance with the command.

2. The method of claim **1** wherein preselecting less than all of the gaming devices interconnected by the host computer responsive to a user-effected action at the input device which identifies the preselected gaming devices with the respective associated address codes comprises creating a table having a list of the unique address codes for each gaming device.

3. The method of claim **2** wherein creating a table having a list of the unique address codes for each gaming device comprises sequentially adding each unique address code to the table.

4. The method of claim **1** wherein issuing a command over the network to each of said preselected gaming devices responsive to initiation of the bonus play period comprises reconfiguring each gaming device for a predetermined period of time.

5. The method of claim **4** wherein paying a bonus at each of said preselected gaming devices in accordance with the command comprises paying a bonus at each preselected gaming device which produces a jackpot.

6. The method of claim **5** wherein paying a bonus at each preselected gaming device which produces a jackpot comprises paying a multiple of the jackpot.

7. The method of claim **1** wherein preselecting a plurality of the gaming devices responsive to a user-effected action at the input device comprises preselecting a first group of gaming devices and wherein said method further comprises:

preselecting a second group of the gaming devices responsive to a user-effected action at the input device which identifies the preselected gaming devices with the respective associated address codes;

issuing a command over the network to one of said gaming devices in the second group responsive to occurrence of a predetermined event; and

paying at said one gaming device in the second group in accordance with the command.

8. The method of claim **7** wherein said method further includes using the network to track the activity of all of the gaming devices in the network [substantially simultaneously with all of the preceding steps].

9. The method of claim **8** wherein said gaming devices are each associated with a card reader which is operatively connected to said network and wherein said method further comprises:

detecting a player of the gaming devices responsive to entry of a unique player identification card into the card reader;

transmitting the amount of money played at each gaming device by the player from the gaming device to the host computer; and

creating a player account which tracks the activity of the player on the gaming devices.

10. A method of operating gaming devices interconnected by a host computer having a user-operated input device comprising:

associating each gaming device with a unique address code;

preselecting less than all of the gaming devices interconnected by the host computer responsive to a user-effected action at the input device which identifies the preselected gaming devices with the respective associated address codes;

using the network to track activity of the preselected gaming devices;

issuing a command over the network to one of said preselected gaming devices responsive to a predetermined event; and

paying at said one gaming device in accordance with the command.

11. The method of claim **10** wherein preselecting less than all of the gaming devices interconnected by the host computer responsive to a user-effected action at the input device which identifies the preselected gaming devices with the respective associated address codes comprises creating a table having a list of the unique address codes for each gaming device.

12. The method of claim **11** wherein creating a table having a list of the unique address codes for each gaming device comprises sequentially adding each unique address code to the table.

13. The method of claim **10** wherein using the network to track activity of the preselected gaming devices comprises detecting the amount wagered at each of the preselected gaming devices and wherein issuing a command over the network to one of said preselected gaming devices responsive to occurrence of a predetermined event comprises issuing a command over the network to one of said preselected gaming devices when the cumulative amount wagered on all of the preselected gaming devices exceeds a predetermined amount.

14. The method of claim **10** wherein preselecting a plurality of the gaming devices responsive to a user-effected action at the input device comprises preselecting a group of gaming devices and wherein said method further comprises:

preselecting a second group of the gaming devices responsive to a user-effected action at the input device which identifies the preselected gaming devices with the respective associated address codes;

issuing a command over the network to one of said gaming devices in the second group responsive to occurrence of a predetermined event; and

paying at said one gaming device in the second group in accordance with the command.

15. The method of claim **14** wherein said method further includes using the network to track the activity of all of the gaming devices in the network [substantially simultaneously with all of the preceding steps].

16. The method of claim **15** wherein said gaming devices are each associated with a card reader which is operatively connected to said network and wherein said method further comprises:

detecting a player of the gaming devices responsive to entry of a unique player identification card into the card reader;

transmitting the amount of money played at each gaming device by the player from the gaming device to the host computer; and

creating a player account which tracks the activity of the player on the gaming devices.

17. The method of claim **10** wherein paying at said one gaming device in accordance with the command comprises paying coins from a hopper at said one gaming device.

18. The method of claim **10** wherein paying at said one gaming device in accordance with the command comprises applying credits to a credit meter at said one gaming machine.

19. The method of claim **10** wherein said method further comprises allocating a predetermined percentage of the cumulative amount wagered at all of the preselected gaming devices to a bonus pool and wherein paying at said one gaming device in accordance with the command comprises paying said pool at said one gaming device.

20. *The method according to claim 1 wherein said command comprises data related to a payment amount.*

21. *The method according to claim 10 wherein said command comprises data related to a payment amount.*

22. A method of operating gaming devices interconnected by a computer network to a host computer comprising:

associating each gaming device with a unique address code;

preselecting less than all of the gaming devices interconnected by the computer network responsive to host-computer action that identifies the preselected gaming devices with the respective associated address codes;

using the network to track activity of the preselected gaming devices;

initiating a bonus play period;

issuing a command over the network to each of said preselected gaming devices responsive to initiation of the bonus play period; and

paying a bonus via each of said preselected gaming devices in accordance with the command.

23. *The method of claim 22 wherein preselecting less than all of the gaming devices interconnected by the computer network responsive to host-computer action that identifies the preselected gaming devices with the respective associated address codes comprises creating a table having a list of the unique address codes for each gaming device.*

24. *The method of claim 23 wherein creating a table having a list of the unique address codes for each gaming device comprises sequentially adding each unique address code to the table.*

25. *The method of claim 22 wherein issuing a command over the network to each of said preselected gaming devices responsive to initiation of the bonus play period comprises reconfiguring each gaming device for a predefined period of time.*

26. *The method of claim 25 wherein paying a bonus via each of said preselected gaming devices in accordance with the command comprises paying a bonus via each preselected gaming device that produces a jackpot.*

27. *The method of claim 26 wherein paying a bonus via each preselected gaming device which produces a jackpot comprises paying a multiple of the jackpot.*

28. *The method of claim 22 wherein preselecting less than all of the gaming devices interconnected by the computer network responsive to host-computer action that identifies*

the preselected gaming devices with the respective associated address codes comprises preselecting a first group of gaming devices and wherein said method further comprises:

preselecting a second group of the gaming devices responsive to host-computer action that identifies the preselected gaming devices with the respective associated address codes;

issuing a command over the network to at least one of said gaming devices in the second group responsive to occurrence of a predefined event; and

paying via at least said one gaming device in the second group in accordance with the command.

29. The method of claim 28 wherein said method further includes using the network to track the activity of all of the gaming devices in the network.

30. The method of claim 29 wherein said gaming devices are each associated with a card reader that is operatively connected to said network and wherein said method further comprises:

detecting a player of the gaming devices responsive to entry of a unique player identification card into the card reader;

transmitting the amount of money played via each gaming device by the player from the gaming device to the host computer; and

creating a player account that tracks the activity of the player on the gaming devices.

31. The method of claim 22 wherein said method further comprises:

allocating a predefined percentage of money played to a bonus pool;

detecting the level of the pool; and

initiating the bonus play period after the bonus pool exceeds a predefined amount.

32. The method according to claim 22 wherein said command comprises data related to a payment amount.

33. A method of operating gaming devices interconnected by a computer network to a host computer comprising:

associating each gaming device with a unique address code;

preselecting less than all of the gaming devices interconnected by the computer network responsive to host-computer action that identifies the preselected gaming devices with the respective associated address codes; using the network to track activity of the preselected gaming devices;

initiating a bonus play period;

generating a message including data related to a payment amount;

transmitting the message over the network to at least one of said preselected gaming devices responsive to a predefined event; and

paying via at least said one gaming device during the bonus play period in accordance with the message.

34. The method of claim 33 wherein preselecting less than all of the gaming devices interconnected by the computer network responsive to host-computer action that identifies the preselected gaming devices with the respective associated address codes comprises creating a table having a list of the unique address codes for each gaming device.

35. The method of claim 37 wherein creating a table having a list of the unique address codes for each gaming device comprises sequentially adding each unique address code to the table.

36. The method of claim 33 wherein using the network to track activity of the preselected gaming devices comprises detecting the amount wagered at each of the preselected gaming devices and wherein transmitting the message over the network to at least one of said preselected gaming devices responsive to occurrence of a predefined event comprises transmitting the message over the network to at least one of said preselected gaming devices when the cumulative amount wagered on all of the preselected gaming devices exceeds a predefined amount.

37. The method of claim 33 wherein preselecting less than all of the gaming devices interconnected by the computer network responsive to host-computer action that identifies the preselected gaming devices with the respective associated address codes comprises preselecting a first group of gaming devices and wherein said method further comprises:

preselecting a second group of the gaming devices responsive to host-computer action that identifies the preselected gaming devices with the respective associated address codes;

transmitting a message over the network to at least one of said gaming devices in the second group responsive to occurrence of a predefined event; and

paying via at least said one gaming device in the second group in accordance with the message.

38. The method of claim 34 wherein said method further includes using the network to track the activity of all of the gaming devices in the network.

39. The method of claim 38 wherein said gaming devices are each associated with a card reader that is operatively connected to said network and wherein said method further comprises:

detecting a player of the gaming devices responsive to entry of a unique player identification card into the card reader;

transmitting the amount of money played via each gaming device by the player from the gaming device to the host computer; and

creating a player account that tracks the activity of the player on the gaming devices.

40. The method of claim 33 wherein paying via at least said one gaming device in accordance with the message comprises paying coins from a hopper via at least said one gaming device.

41. The method of claim 33 wherein paying via at least said one gaming device in accordance with the message comprises applying credits to a credit meter at least said one gaming machine.

42. The method of claim 33 wherein said method further comprises allocating a predefined percentage of the cumulative amount wagered at the preselected gaming devices to a bonus pool and wherein paying via at least said one gaming device in accordance with the message comprises paying from said pool via at least said one gaming device.

43. The method of claim 42 wherein said bonus pool comprises a progressive jackpot.

44. The method of claim 43 wherein paying via at least said one gaming device in accordance with the message further comprises paying the progressive jackpot via at least said one gaming device responsive to a jackpot on the gaming device.

45. The method of claim 33 wherein said method further comprises transmitting the message over the network to a plurality of said preselected gaming devices responsive to the predefined event.

46. A method of operating gaming devices interconnected by a host computer having a user-operated input device comprising:

43

associating each gaming device with a unique address code;
 preselecting less than all of the gaming devices interconnected by the host computer responsive to host-computer action that identifies the preselected gaming devices with the respective associated address codes;
 using the network to track activity of the preselected gaming devices;
 issuing a command over the network to at least one of said preselected gaming devices responsive to a predefined event; and
 paying via at least said one gaming device in accordance with the command.

47. The method of claim 46 wherein preselecting less than all of the gaming devices interconnected by the host computer responsive to host-computer action that identifies the preselected gaming devices with the respective associated address codes comprises creating a table having a list of the unique address codes for each gaming device.

48. The method of claim 47 wherein creating a table having a list of the unique address codes for each gaming device comprises sequentially adding each unique address code to the table.

49. The method of claim 46 wherein using the network to track activity of the preselected gaming devices comprises detecting the amount wagered at each of the preselected gaming devices and wherein issuing a command over the network to at least one of said preselected gaming devices responsive to occurrence of a predefined event comprises issuing a command over the network to at least one of said preselected gaming devices when the cumulative amount wagered on all of the preselected gaming devices exceeds a predefined amount.

50. The method of claim 46 wherein preselecting less than all of the gaming devices interconnected by the host computer responsive to host-computer action comprises preselecting a first group of gaming devices and wherein said method further comprises:

preselecting a second group of the gaming devices interconnected by the host computer responsive to host-computer action that identifies the preselected gaming devices with the respective associated address codes;

44

issuing a command over the network to at least one of said gaming devices in the second group responsive to occurrence of a predefined event; and

paying via at least said one gaming device in the second group in accordance with the command.

51. The method of claim 50 wherein said method further includes using the network to track the activity of all of the gaming devices in the network.

52. The method of claim 51 wherein said gaming devices are each associated with a card reader that is operatively connected to said network and wherein said method further comprises:

detecting a player of the gaming devices responsive to entry of a unique player identification card into the card reader;

transmitting the amount of money played at each gaming device by the player from the gaming device to the host computer; and

creating a player account which tracks the activity of the player on the gaming devices.

53. The method of claim 46 wherein paying via at least said one gaming device in accordance with the command comprises paying coins from a hopper at least said one gaming device.

54. The method of claim 46 wherein paying via at least said one gaming device in accordance with the command comprises applying credits to a credit meter at least said one gaming machine.

55. The method of claim 46 wherein said method further comprises allocating a predefined percentage of the cumulative amount wagered at the preselected gaming devices to a bonus pool and wherein paying via at least said one gaming device in accordance with the command comprises paying said pool via at least said one gaming device.

56. The method according to claim 46 wherein said command comprises data related to a payment amount.

57. The method according to any of the preceding claims wherein said gaming devices comprises electronic gaming devices.

* * * * *