



US00RE37773E

(19) **United States**
(12) **Reissued Patent**
Trombley

(10) **Patent Number:** **US RE37,773 E**
(45) **Date of Reissued Patent:** **Jul. 2, 2002**

(54) **MUG**
(75) Inventor: **Edgar F. Trombley**, Wayne County, MI (US)
(73) Assignee: **Punch Products USA**, Rahway, NJ (US)
(21) Appl. No.: **29/115,737**
(22) Filed: **Dec. 16, 1999**

Primary Examiner—M. N. Pandozzi
(74) *Attorney, Agent, or Firm*—Howard C. Miskin; Gloria Tsui-Yip

(57) **CLAIM**

The ornamental design for a mug, as shown and described.

DESCRIPTION

FIG. 1 is a top front perspective view of a mug showing my new design;
FIG. 2 is a top plan view of FIG. 1 ;
FIG. 3 is a bottom plan view of FIG. 1 ;
FIG. 4 is a rear view of FIG. 1 ;
FIG. 5 is a front view of FIG. 1 ;
FIG. 6 is the left side view of FIG. 1 ;
FIG. 7 is the right side view of FIG. 1 ;
FIG. 8 is a top front perspective view of a mug showing a second embodiment of my new design, all sides being the same as embodiment 1 save for the transparency of the sidewalls; and,
FIG. 9 is the front elevational view similar to FIG. 5 , partially broken away to show the spaced apart outer and inner layers in section.
The broken line showing of the word [] “punch” in FIGS. 8 and 9 [is], *the handle in FIGS. 1–5 and 7–9 and the tab in FIGS. 1–6 and 8–9 are for illustrative purposes only and form [s] no part of the claimed design.*

Related U.S. Patent Documents

Reissue of:

(64) Patent No.: **Des. 387,620**
Issued: **Dec. 16, 1997**
Appl. No.: **29/064,092**
Filed: **Dec. 11, 1996**

(51) **LOC (6) Cl.** **07-01**
(52) **U.S. Cl.** **D7/511; D7/523**
(58) **Field of Search** D7/507, 510, 511, D7/530, 619, 622, 515, 509, 536, 533, 523; D9/531, 537, 516, 556; 220/742, 671, 672, 630, 713, 675, 673, 737

(56) **References Cited**

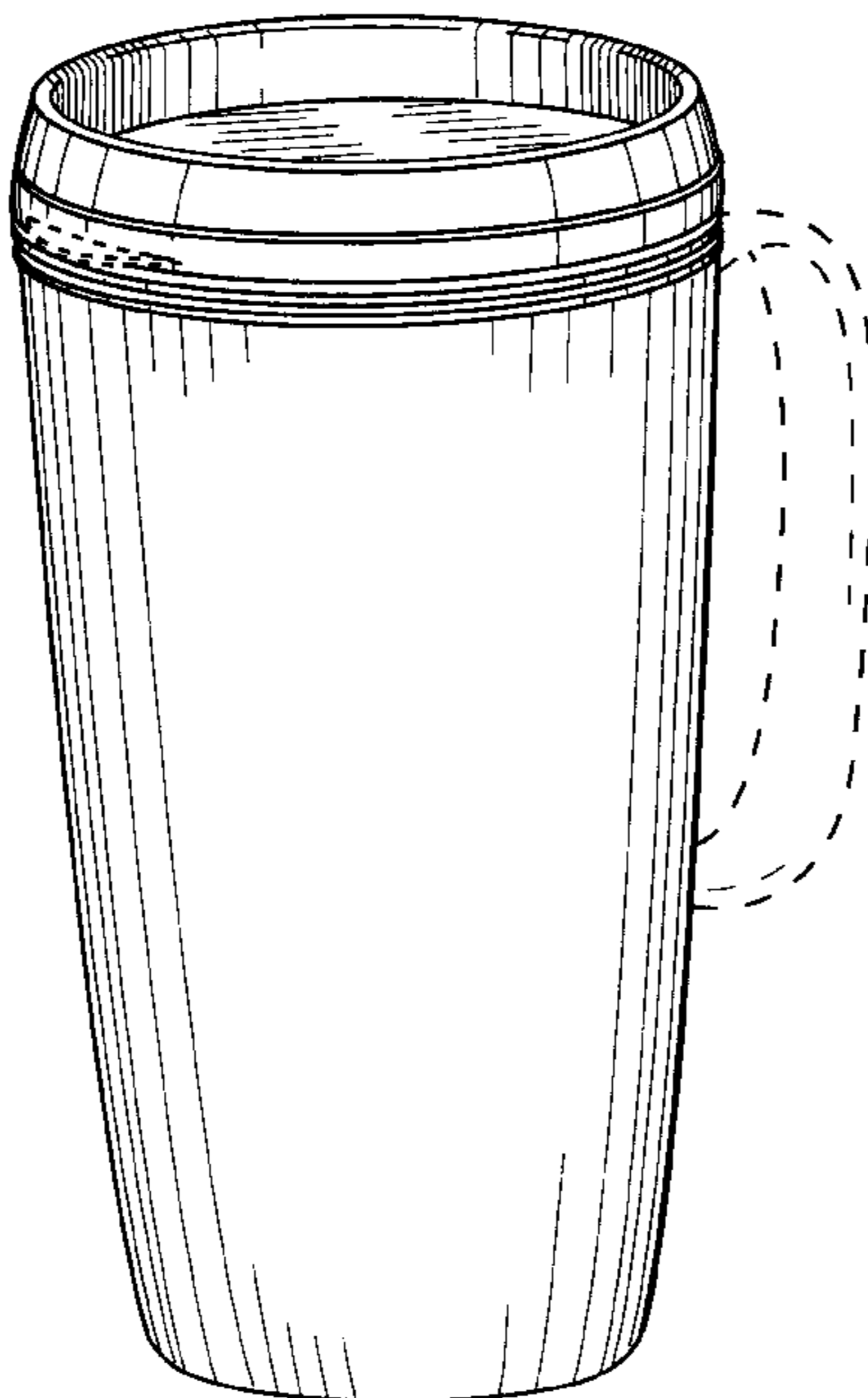
U.S. PATENT DOCUMENTS

D263,916 S * 4/1982 Reece D7/510
D286,967 S * 12/1986 Appel D7/511
D351,314 S * 10/1994 Sokolski et al. D7/536
D364,071 S * 11/1995 Lynd D7/510
D365,247 S * 12/1995 Sokolski et al. D7/511
D369,063 S * 4/1996 Meisner D7/533
5,531,353 A * 7/1996 Ward et al. 220/729
D373,051 S * 8/1996 Kramer et al. D7/536

* cited by examiner

1 Claim, 4 Drawing Sheets

Matter enclosed in heavy brackets [] appears in the original patent, but forms no part of this reissue; matter printed in italics indicates the additions made by reissue.



AMENDED

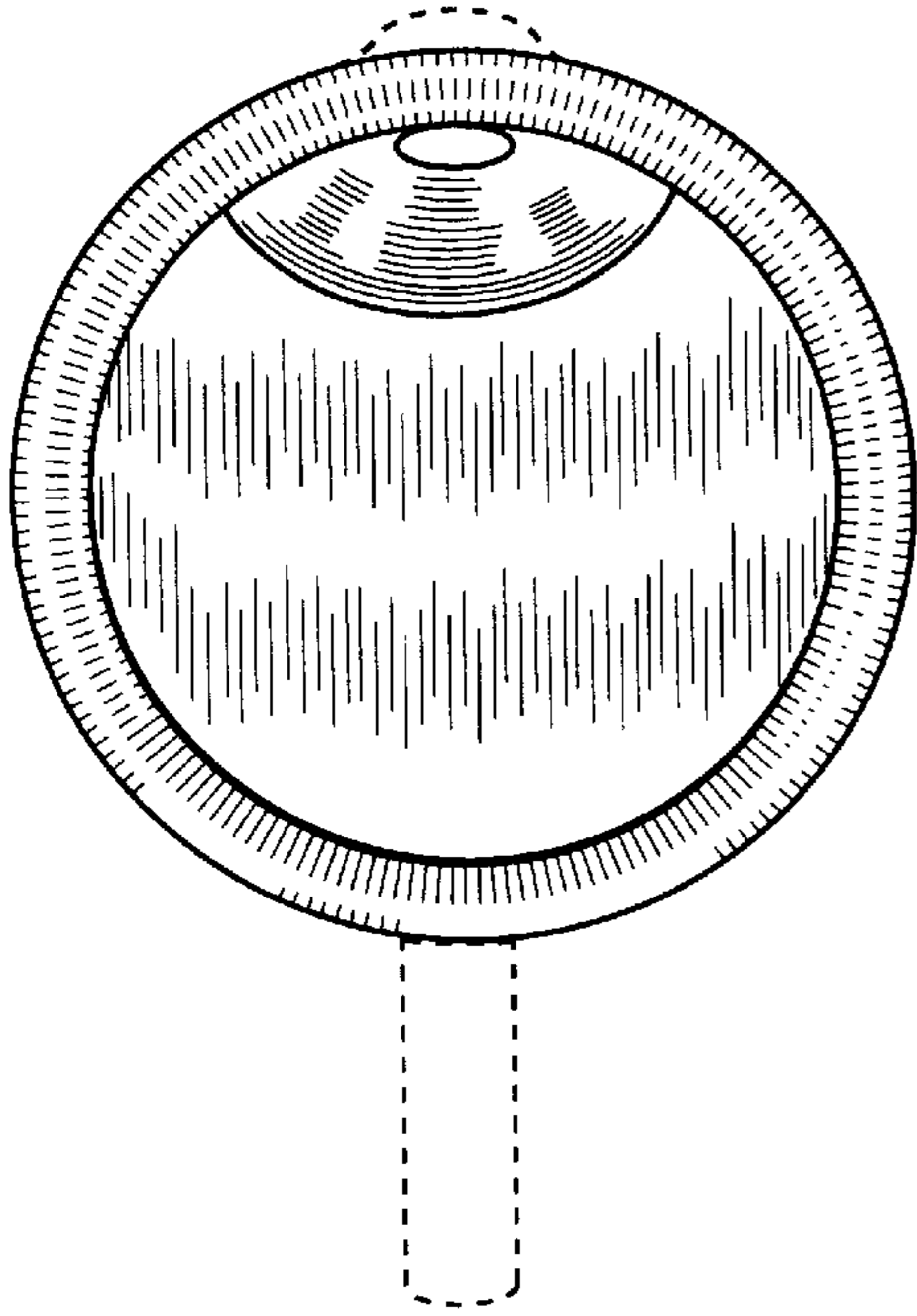


FIG. 2
AMENDED

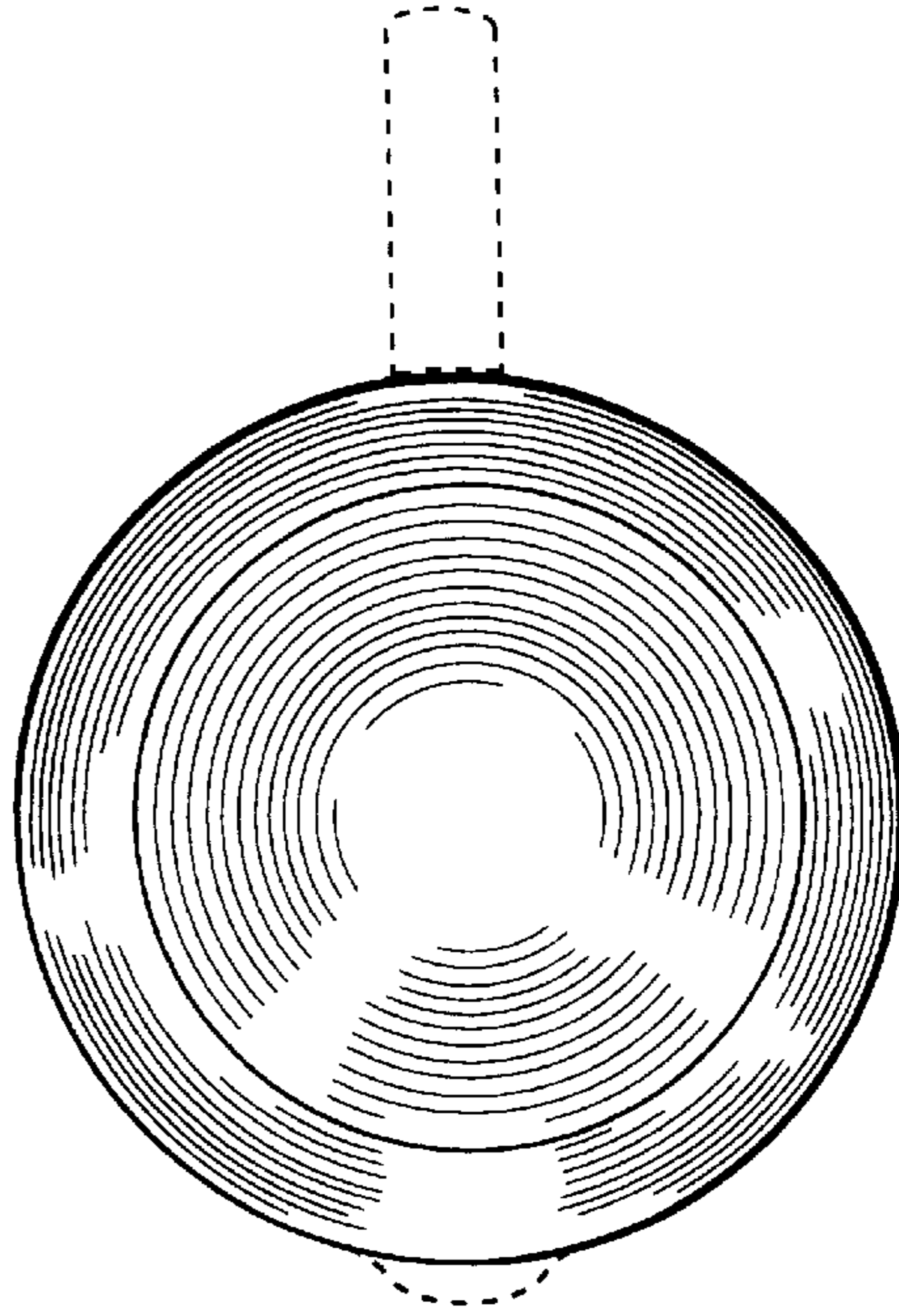


FIG. 3
AMENDED

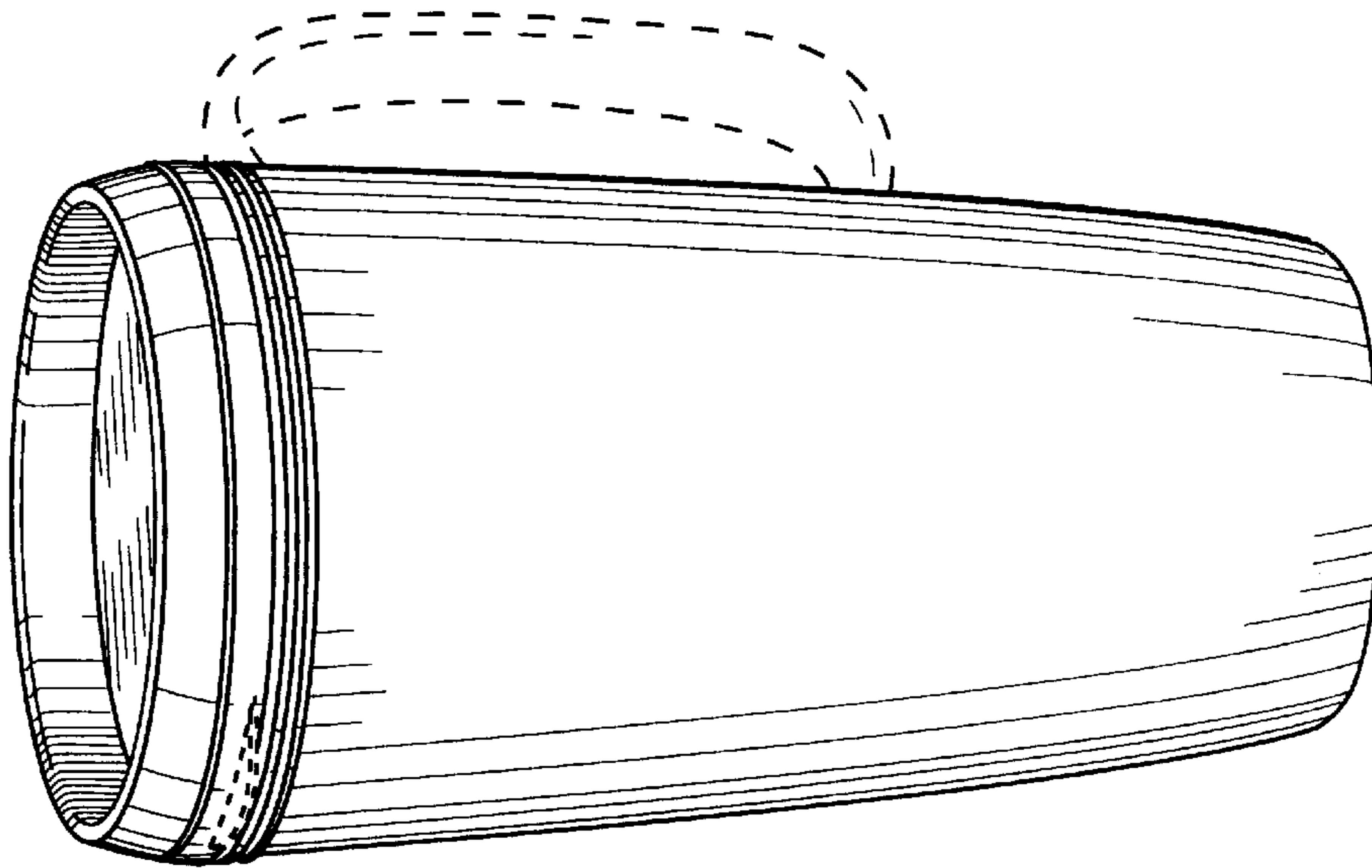


FIG. 1
AMENDED

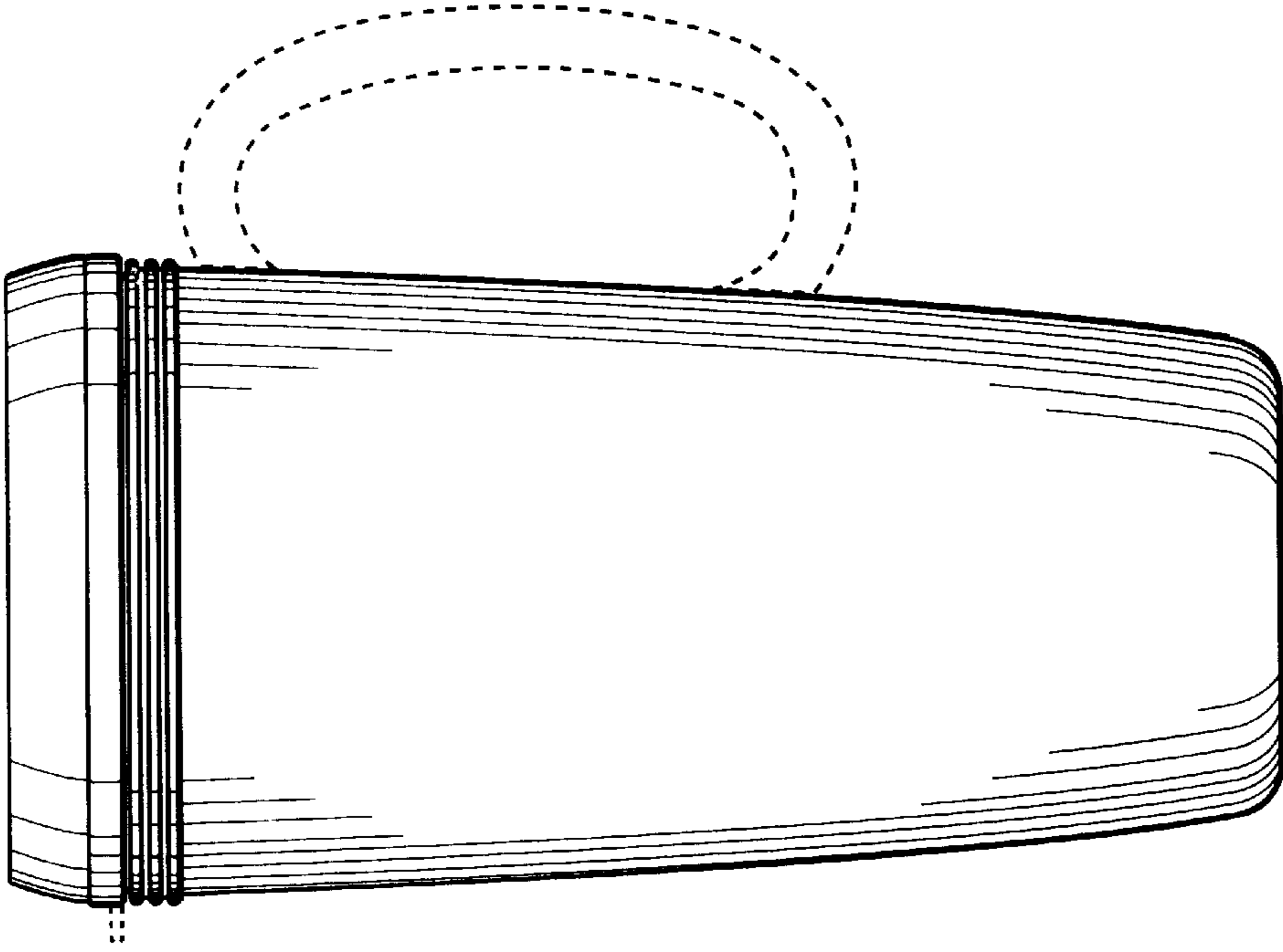


FIG. 5
AMENDED

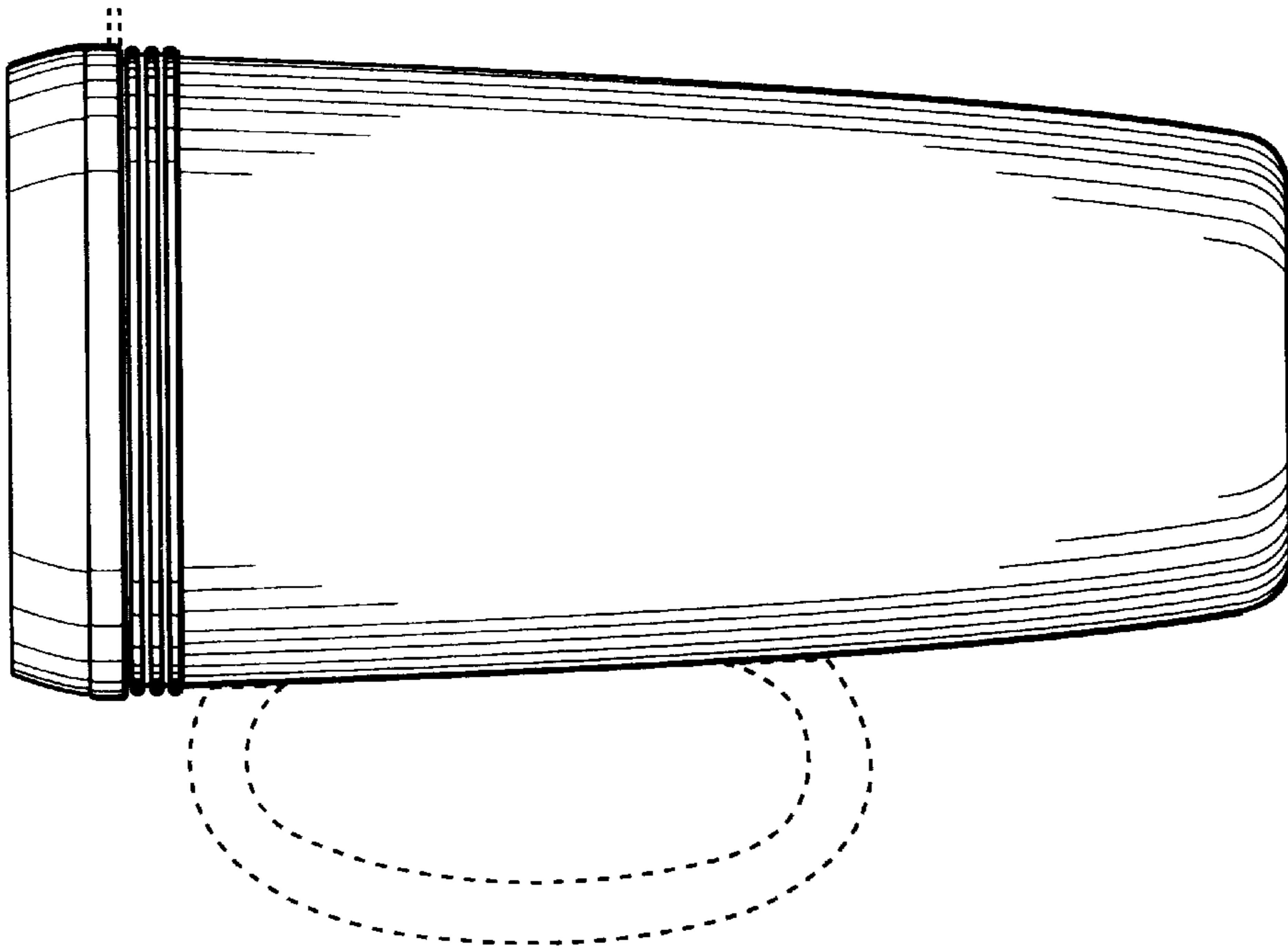


FIG. 4
AMENDED

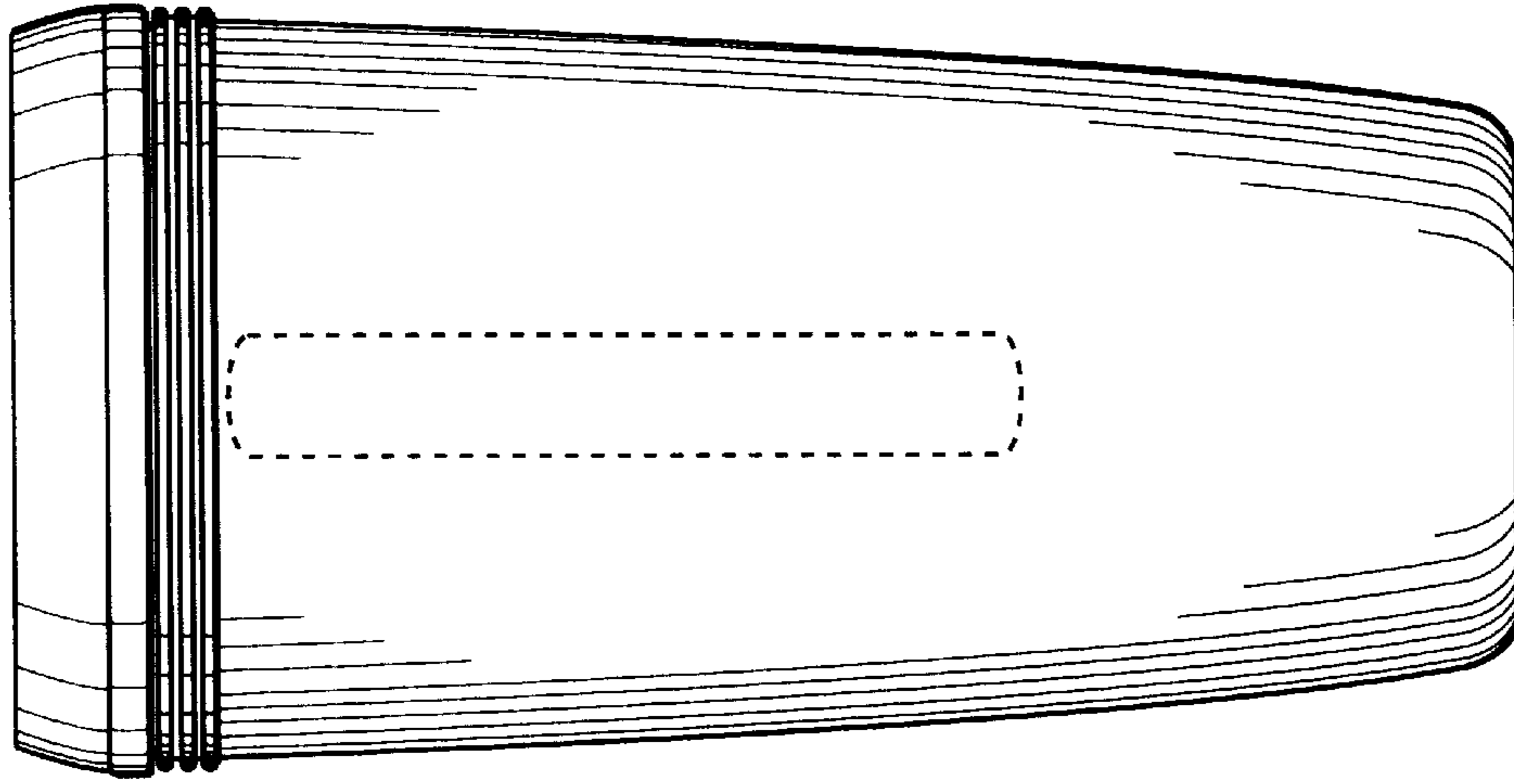


FIG. 7
AMENDED

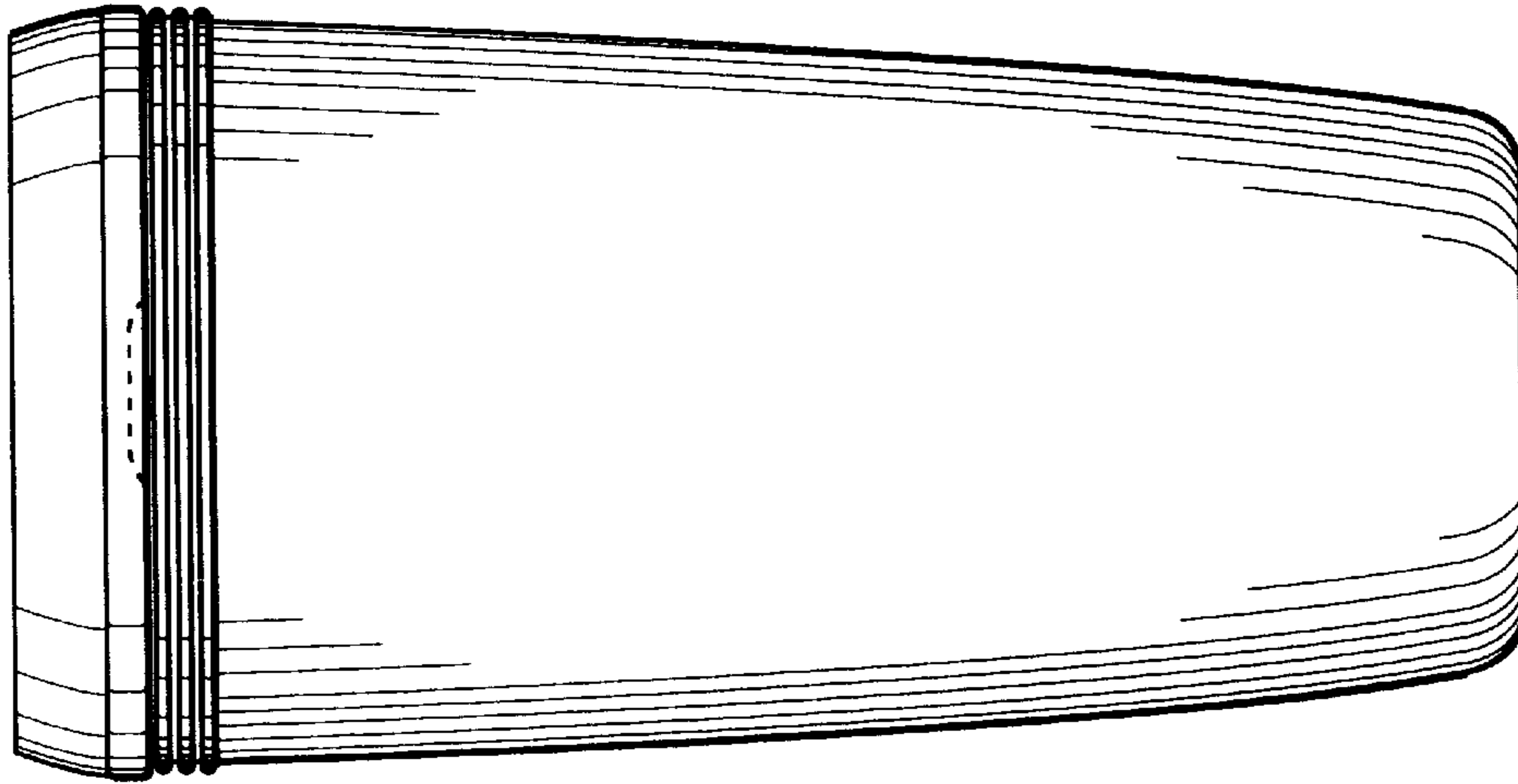


FIG. 6
AMENDED

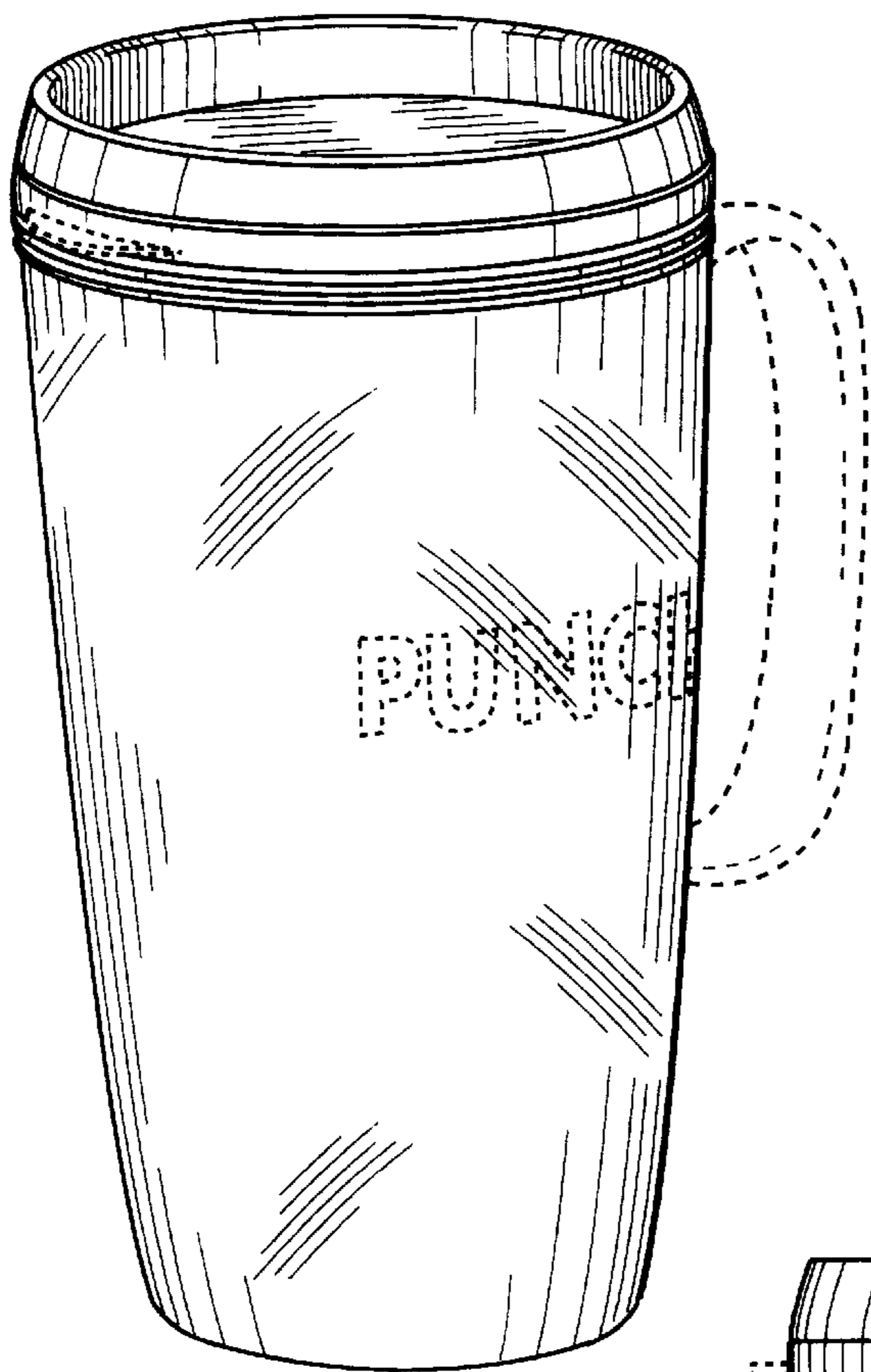


FIG. 8
AMENDED

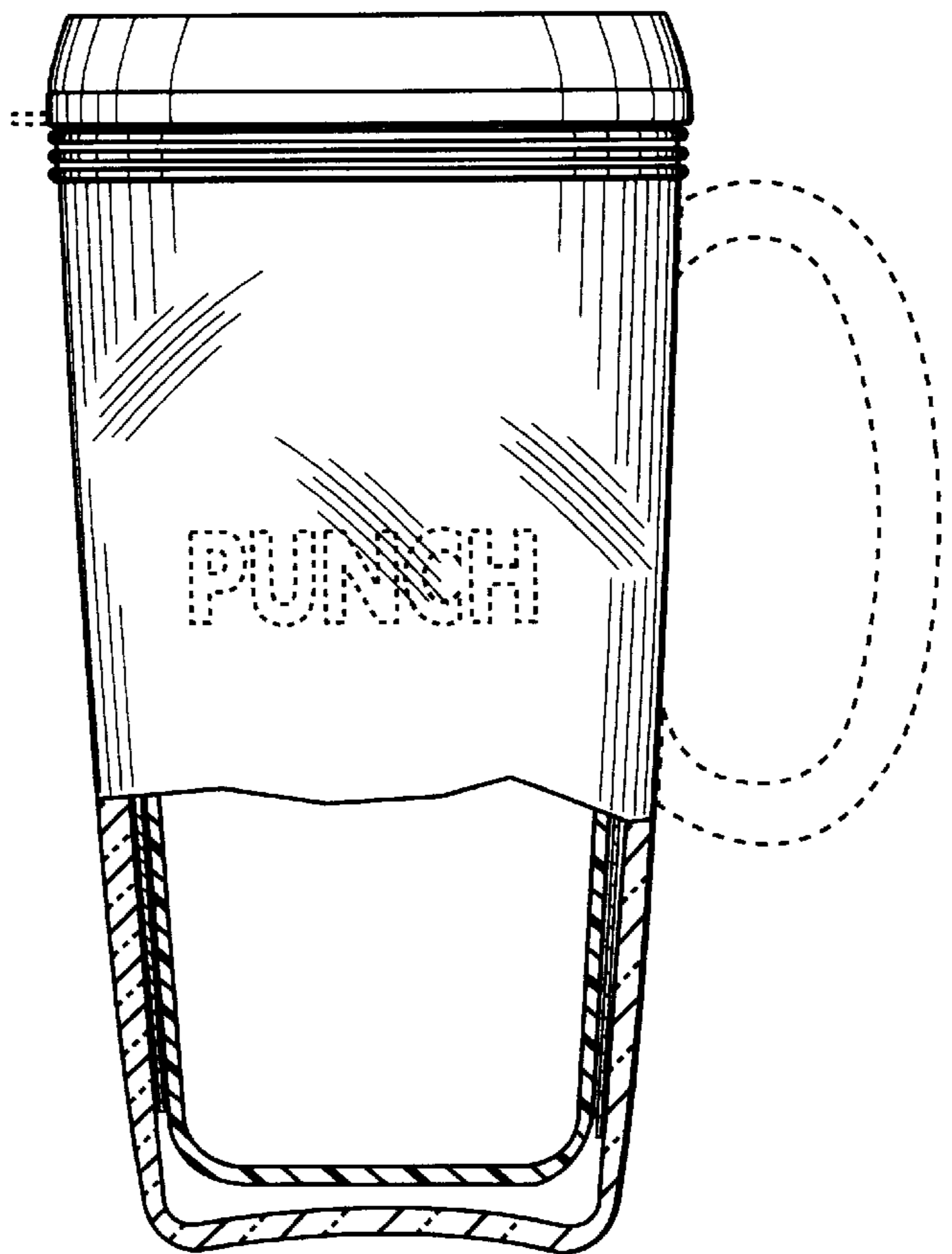


FIG. 9
AMENDED