



US00RE37736E

(19) **United States**
(12) **Reissued Patent**
Breed et al.

(10) **Patent Number: US RE37,736 E**
(45) **Date of Reissued Patent: Jun. 11, 2002**

(54) **VEHICLE OCCUPANT POSITION AND VELOCITY SENSOR**

(75) Inventors: **David S. Breed**, Boonton Township, Morris County, NJ (US); **Vittorio Castelli**, Yorktown Heights, NY (US); **Wilbur E. DuVall**, Kimberling City, MO (US); **Wendell C. Johnson**, San Diego, CA (US); **Rashik Mangubhai Patel**, Riverside, CA (US)

(73) Assignee: **Automotive Technologies International Inc.**, Denville, NJ (US)

(21) Appl. No.: **09/636,770**

(22) Filed: **Aug. 1, 2000**

Related U.S. Patent Documents

Reissue of:

(64) Patent No.: **5,653,462**
Issued: **Aug. 5, 1997**
Appl. No.: **08/505,036**
Filed: **Jul. 21, 1995**

U.S. Applications:

(63) Continuation of application No. 08/040,978, filed on Mar. 31, 1993, now abandoned, which is a continuation-in-part of application No. 07/878,571, filed on May 5, 1992, now abandoned.

(51) **Int. Cl.⁷ B60R 21/32**
(52) **U.S. Cl. 280/735; 180/272**
(58) **Field of Search 280/735; 180/272**

(56) **References Cited**

U.S. PATENT DOCUMENTS

4,683,373 A 7/1987 Tupman 180/272

4,995,639 A	2/1991	Breed	280/735
5,071,160 A	12/1991	White	280/735
5,074,583 A	12/1991	Fujita	280/735
5,118,134 A	6/1992	Mattes	280/735
5,184,845 A	2/1993	Omura	280/735
5,366,241 A	11/1994	Kithil	280/735
5,454,591 A	10/1995	Mazur et al.	280/735
5,602,734 A	2/1997	Kithil	364/424.055
5,624,132 A	4/1997	Blackburn et al.	280/735
5,670,853 A	9/1997	Bauer	318/286
5,722,686 A	3/1998	Blackburn et al.	280/735
5,782,485 A	7/1998	Takeda et al.	280/735
5,829,782 A	11/1998	Breed et al.	280/735
6,014,602 A	1/2000	Kithil	701/45
6,020,812 A	2/2000	Thompson et al.	340/438
6,025,340 A	2/2000	Corrado et al.	701/47

FOREIGN PATENT DOCUMENTS

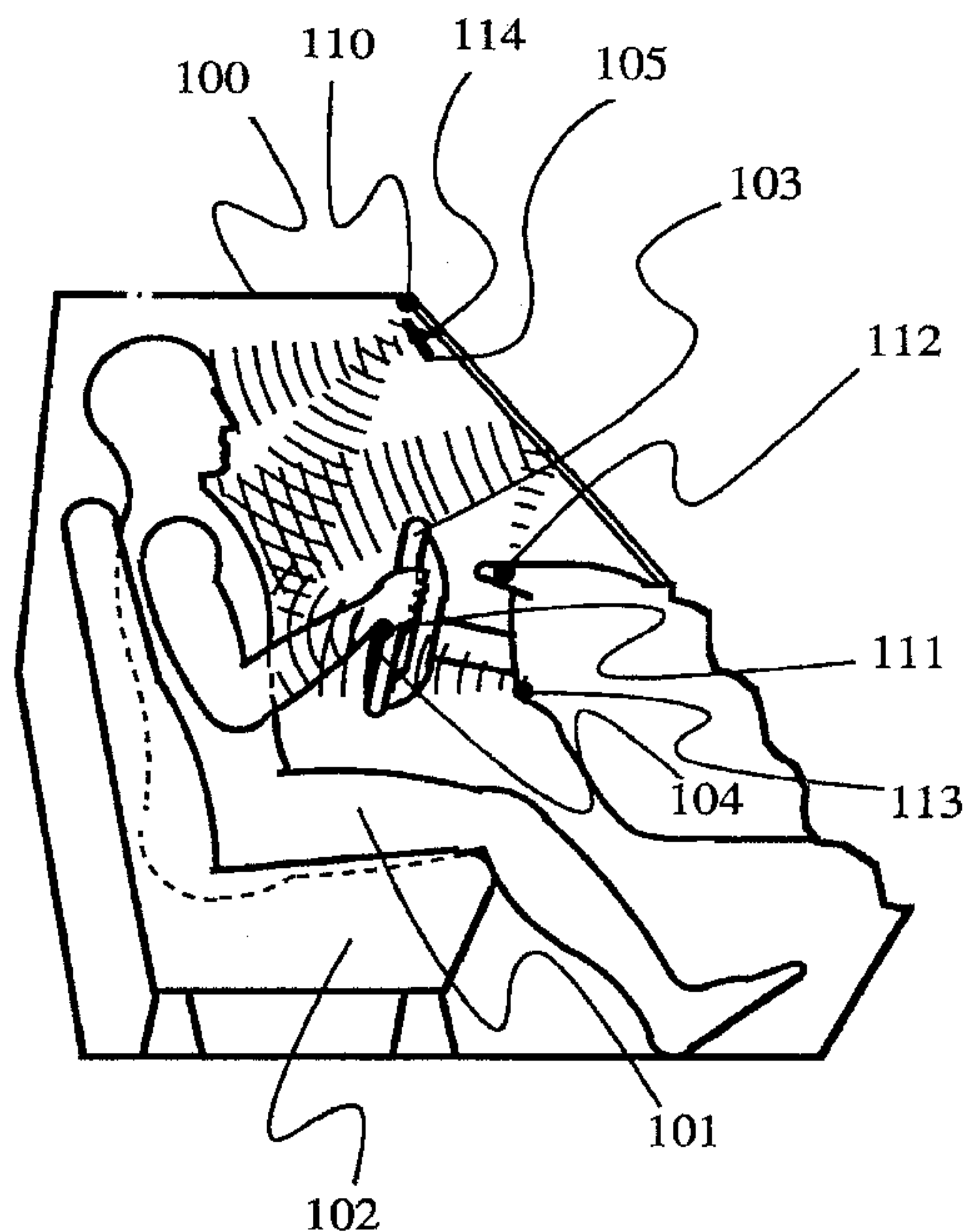
DE	3802159	8/1989 280/735
JP	1-197151	8/1989 180/287
JP	3-42337	2/1991 180/273

Primary Examiner—Paul N. Dickson
(74) *Attorney, Agent, or Firm*—Brian Roffe

(57) **ABSTRACT**

An occupant position sensor utilizing either ultrasonic, microwave or optical technologies, or seatbelt spool out and seat position sensors, are used as inputs to the primary vehicle crash sensor circuit to permit the longest possible sensing time before the occupant gets proximate to the airbag and is in danger of being injured by the deploying airbag. The sensor further disables the inflatable restraint system if the occupant is in danger of being injured by the system deployment. Separate systems are used for the driver and passenger to permit the optimum decision to be made for each occupant.

21 Claims, 8 Drawing Sheets



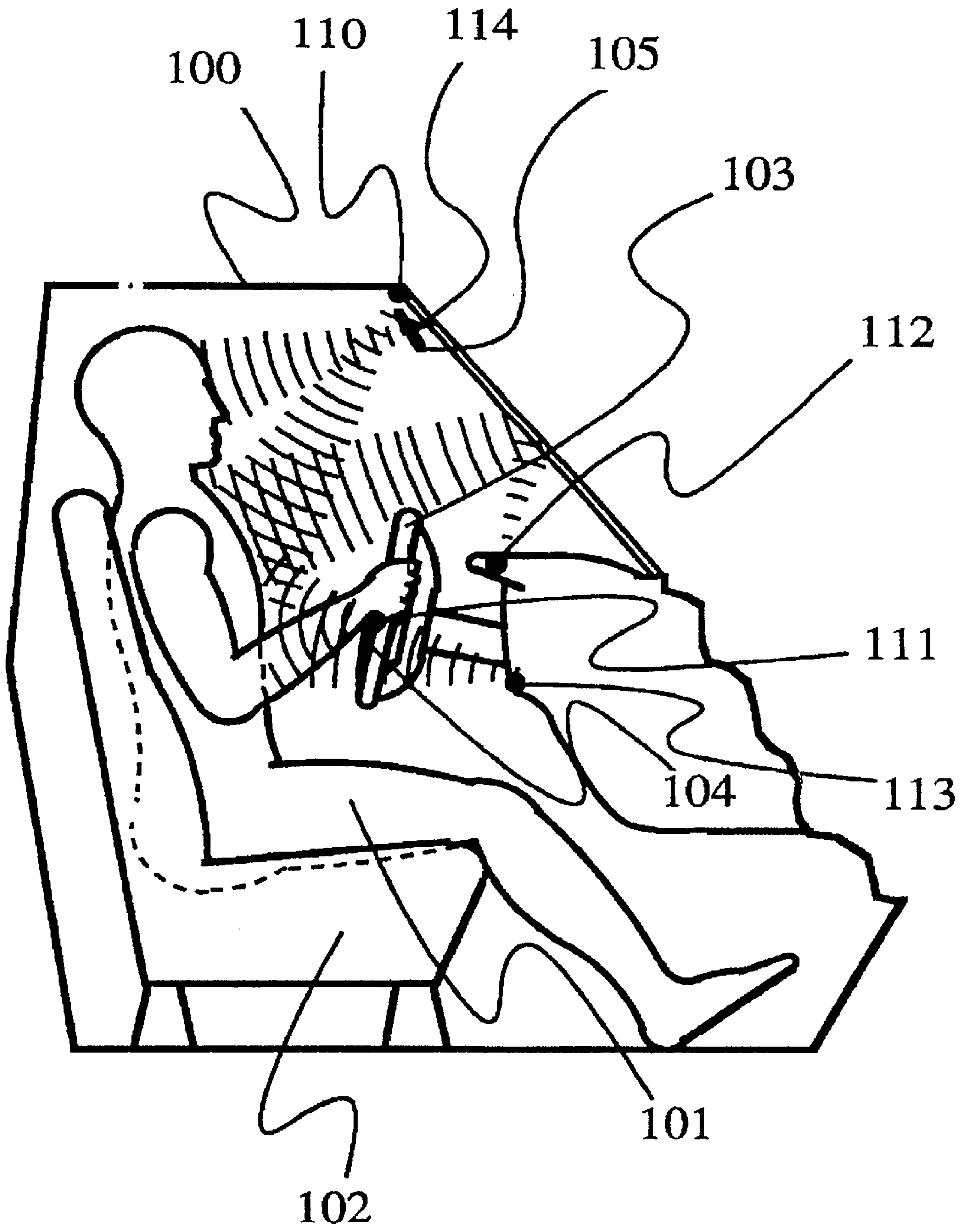


FIG. 1

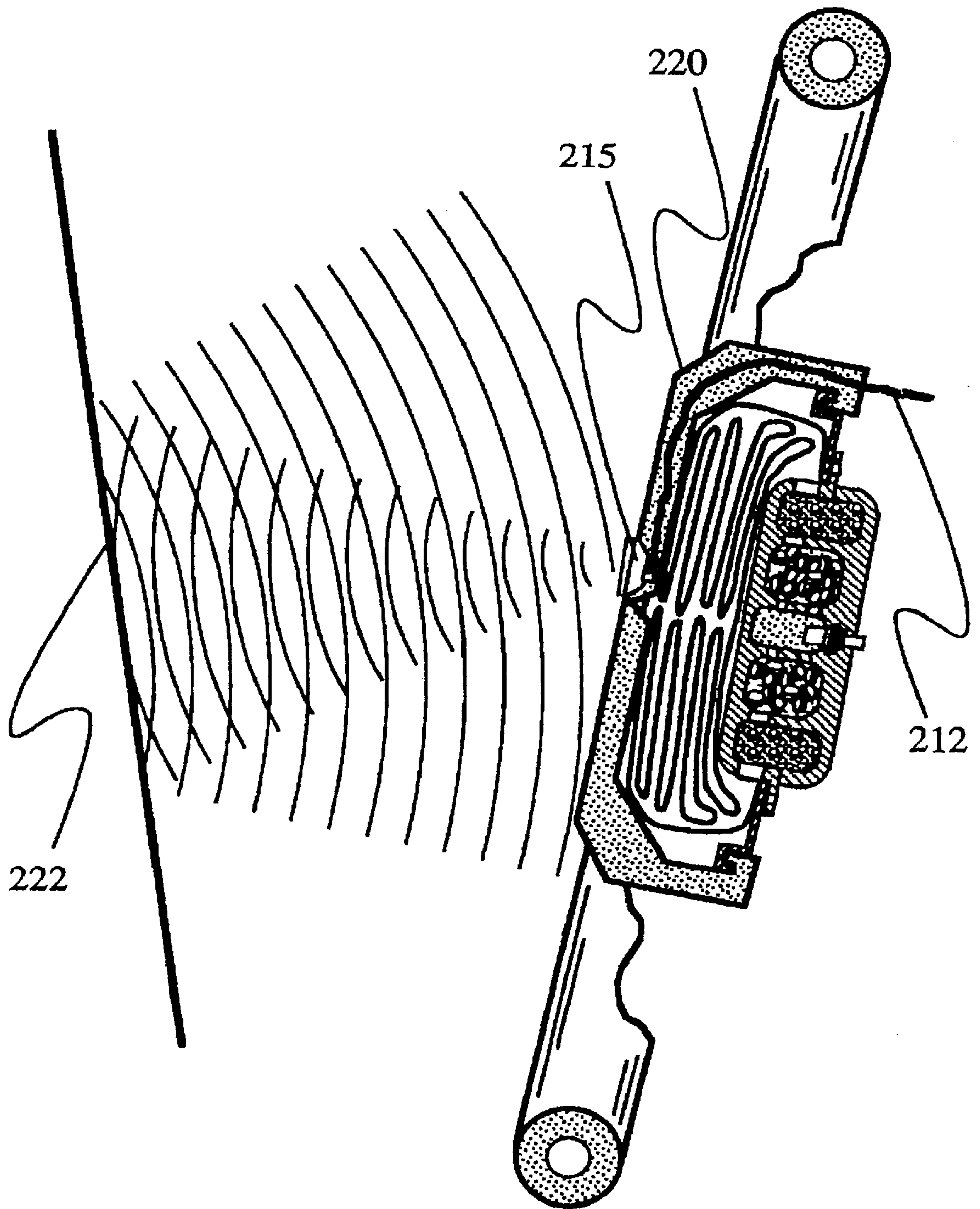


FIG. 2

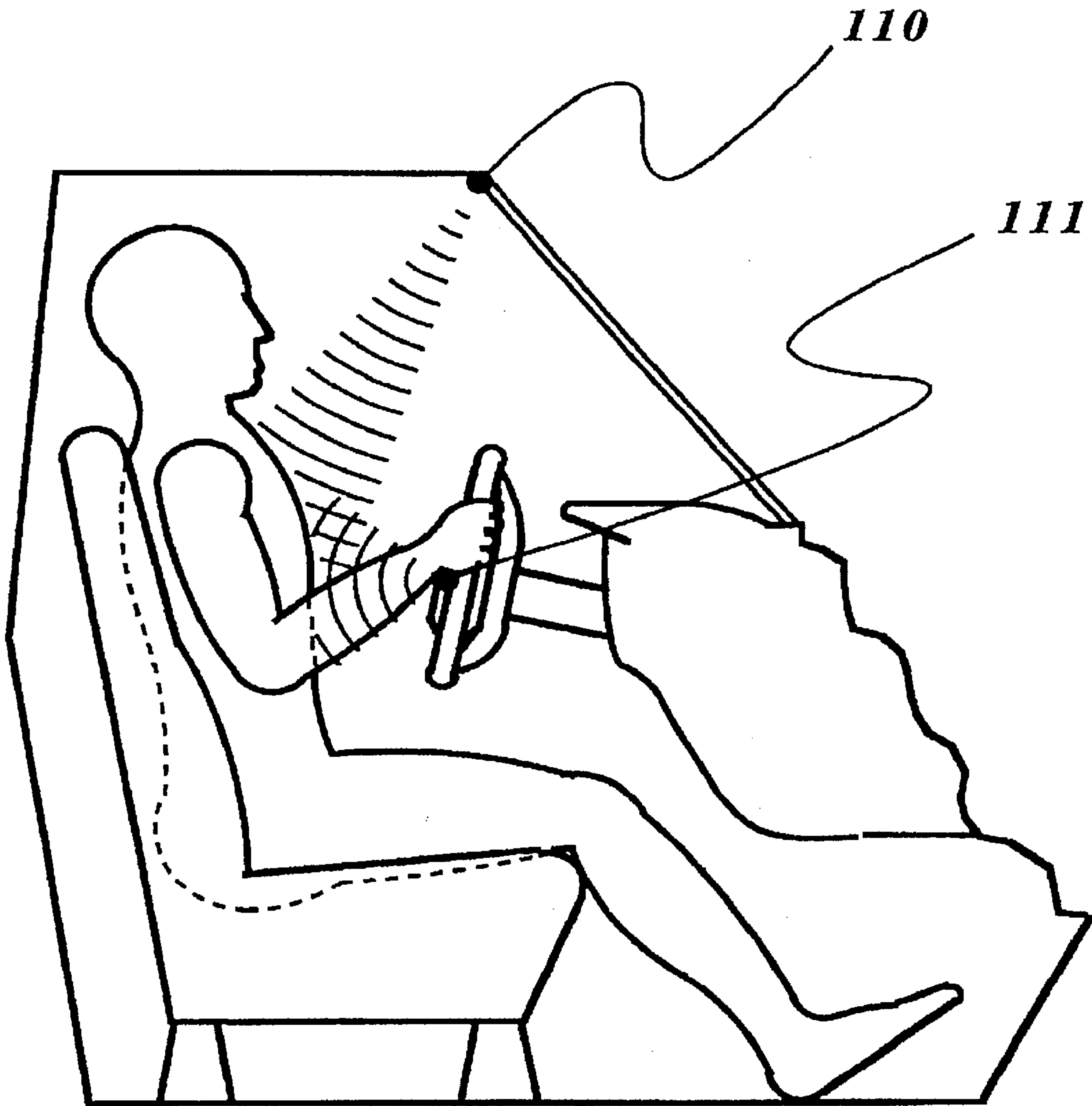


FIG. 3

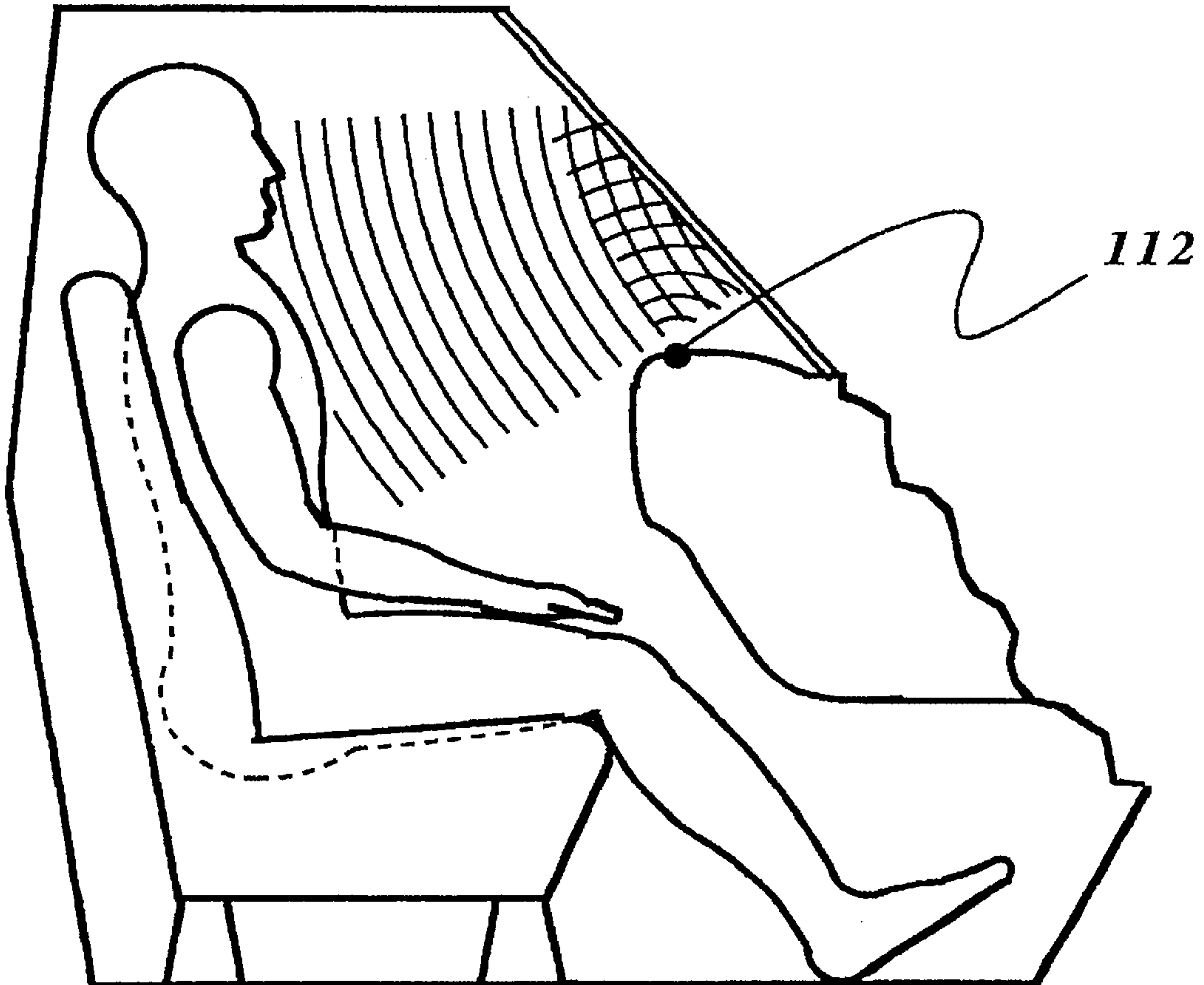


FIG. 4

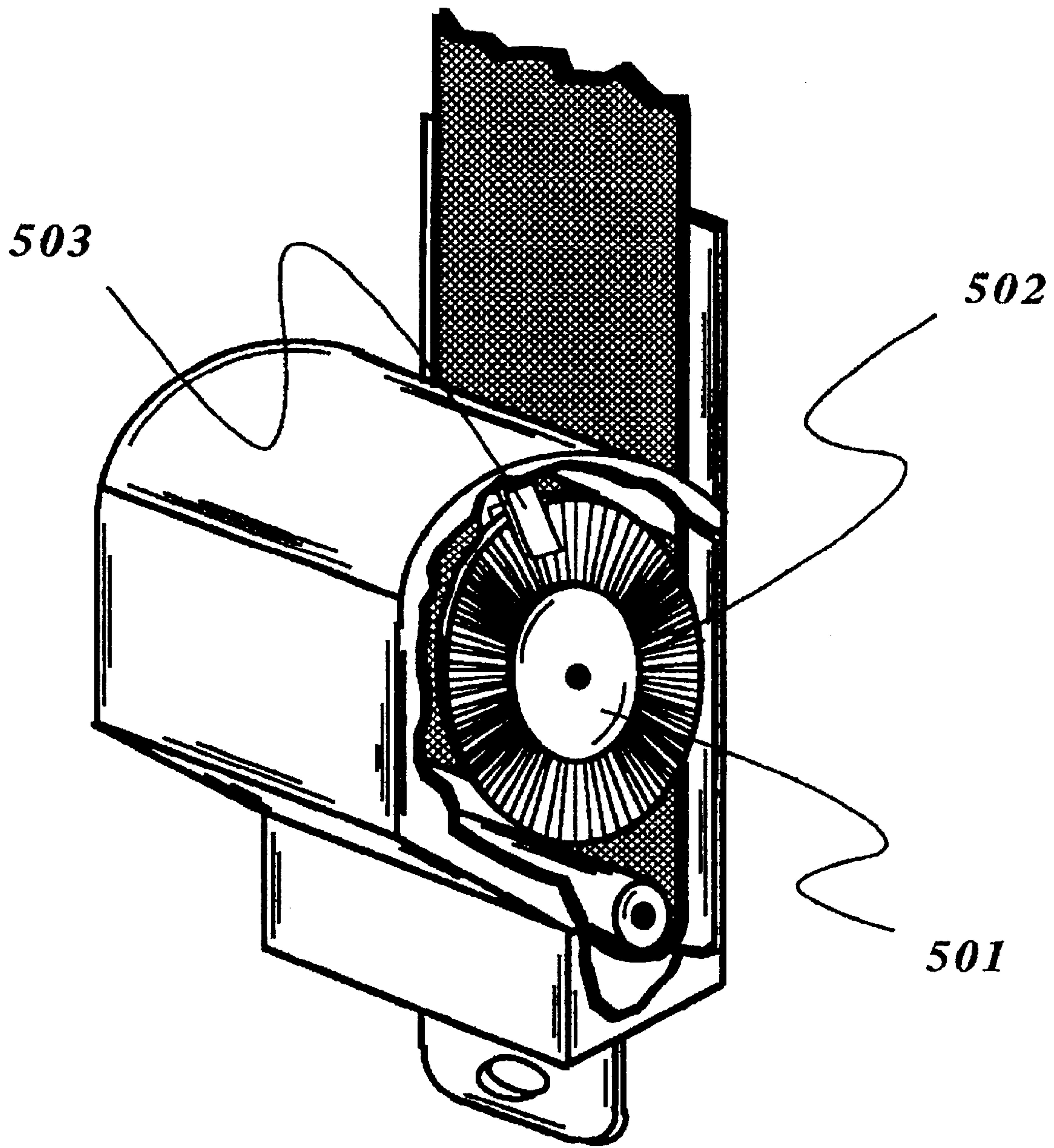


FIG. 5

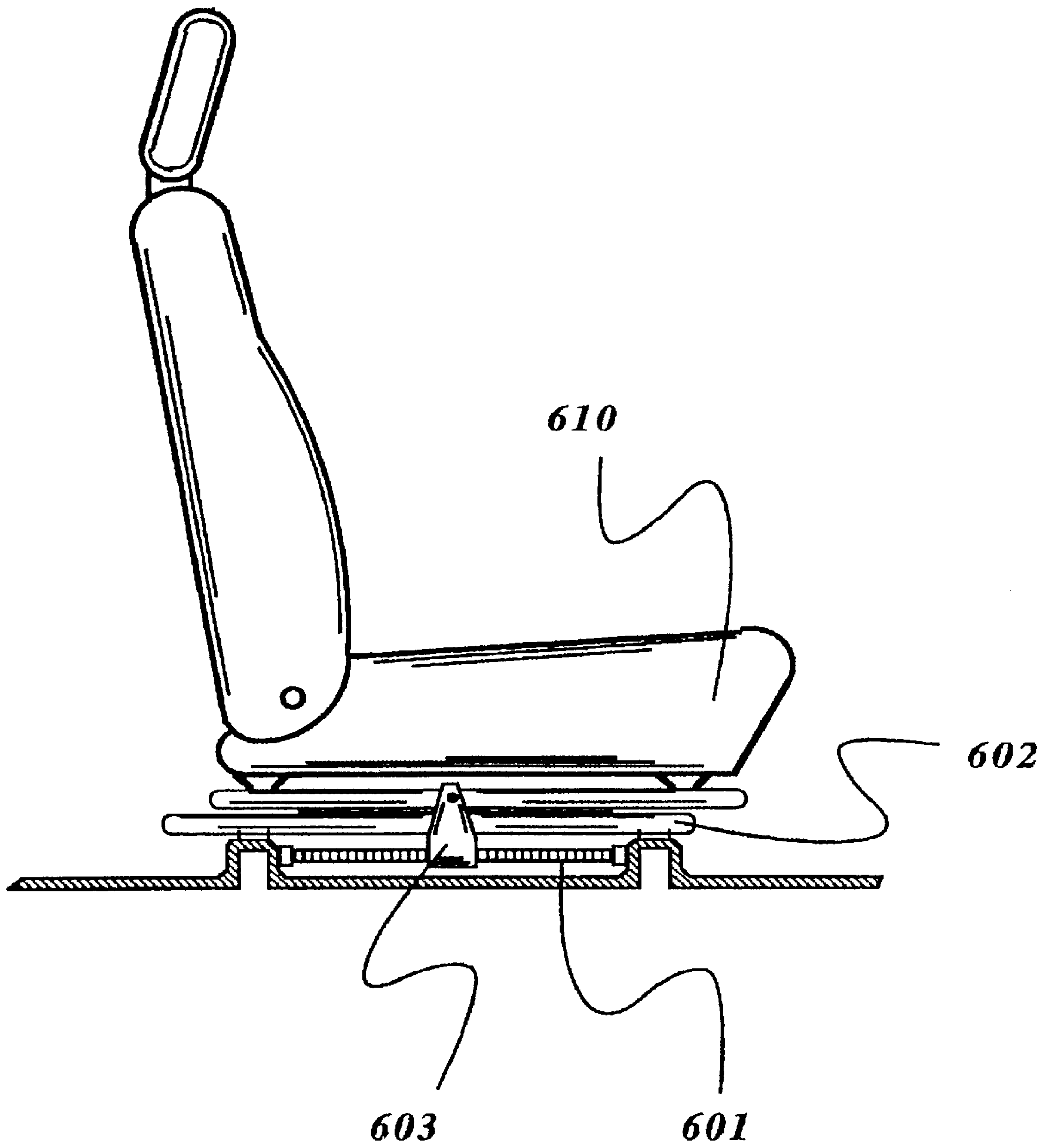


FIG. 6

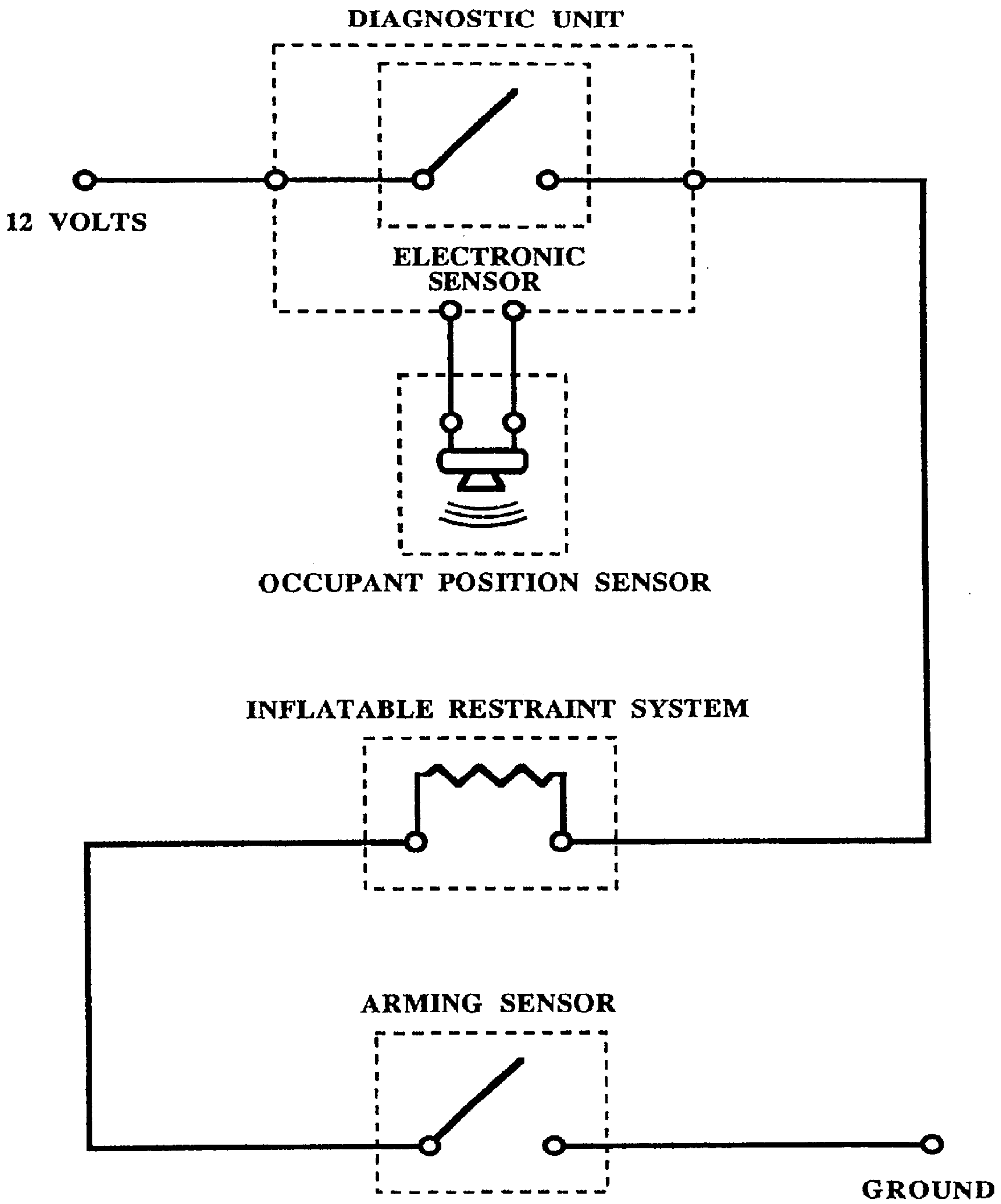


FIG. 7

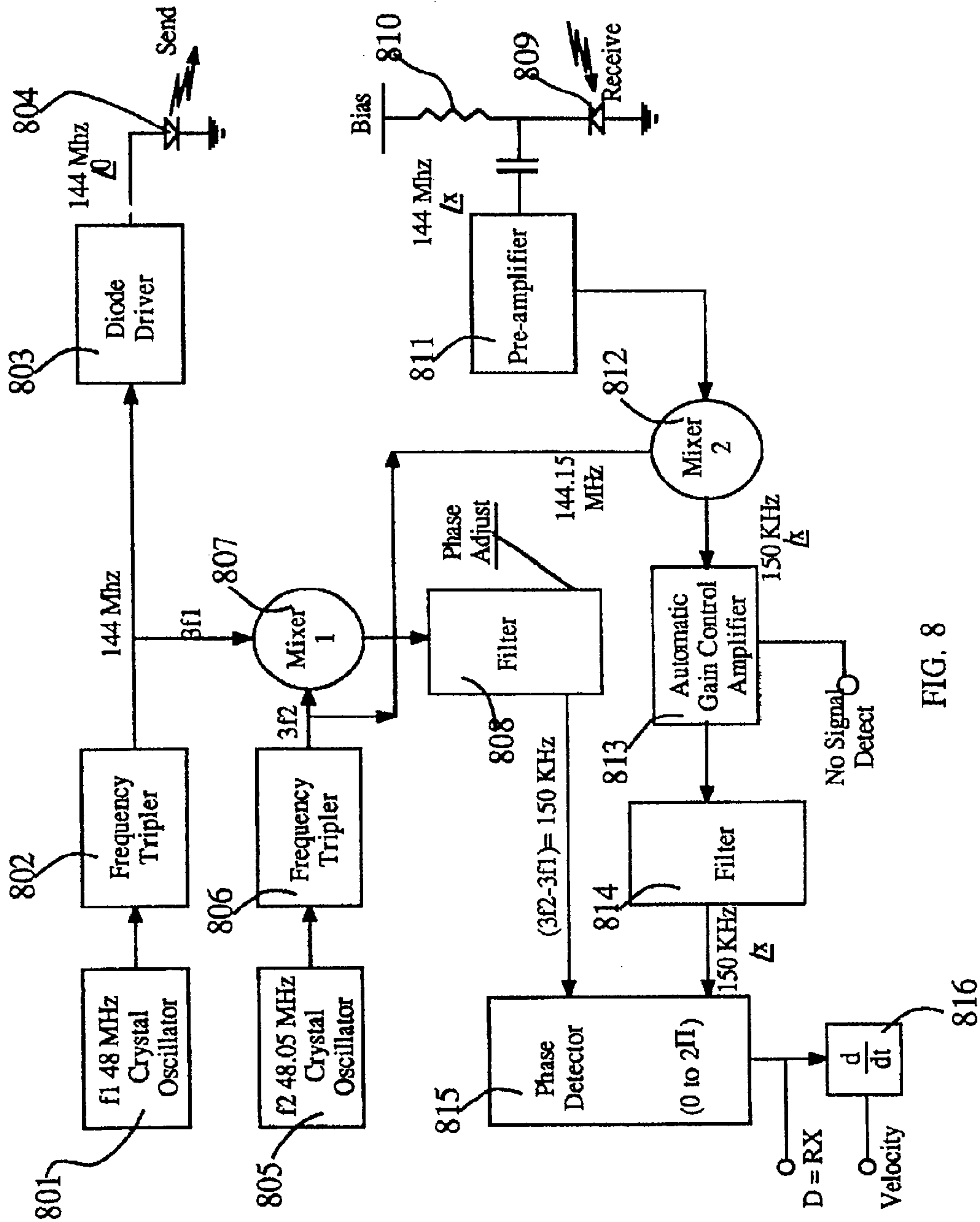


FIG. 8

VEHICLE OCCUPANT POSITION AND VELOCITY SENSOR

Matter enclosed in heavy brackets [] appears in the original patent but forms no part of this reissue specification; matter printed in italics indicates the additions made by reissue.

CROSS REFERENCE

This application is a continuation, of application Ser. No. 08/040,978, filed Mar. 31, 1993, now abandoned, which is a continuation in part of Ser. No. [07/878,517 filed May 5, 1992 now U.S. Pat. No. 5,270,883.] *07/878,571 filed May 5, 1992, now abandoned.*

BACKGROUND OF THE INVENTION

Crash sensors for determining that a vehicle is in a crash of sufficient magnitude as to require the deployment of an inflatable restraint system, or airbag, are either mounted in a portion of the front of the vehicle which is crushed by the time that sensor triggering is required, the crush zone, or elsewhere such as the passenger compartment, the non-crush zone. Regardless of where sensors are mounted there will always be crashes where the sensor triggers late and the occupant has moved to a position near to the airbag deployment cover. In such cases, the occupant may be seriously injured or even killed by the deployment of the airbag. This invention is largely concerned with preventing such injuries and deaths by preventing late airbag deployments.

In a Society of Automotive Engineers (SAE) paper by Mertz, Driscoll, Lenox, Nyquist and Weber titled "Response of Animals Exposed to Deployment of Various Passenger Inflatable Restraint System Concepts for a Variety of Collision Severities and Animals Positions" SAE 826074, 1982, the authors show that an occupant can be killed or seriously injured by the airbag deployment if he or she is located out of position near or against the airbag when deployment is initiated. These conclusions were again reached in a more recent paper by Lau, Horsch, Viano and Andrzejak titled "Mechanism of Injury From Air Bag Development Loads", published in Accident Analysis & Prevention, Vol 25, No. 1, 1993, Pergamon Press, New York, where the authors conclude that "Even an inflator with inadequate gas output to protect a properly seated occupant had sufficient energy to induce severe injuries in a surrogate in contact with the inflating module." These papers highlight the importance of preventing deployment of an airbag when an occupant is out of position and in close proximity to the airbag module.

The Ball-in-tube crush zone sensor, such as disclosed in U.S. Pat. Nos. 4,974,350; 4,198,864; 4,284,863; 4,329,549; 4,573,706 and 4,900,880 to D. S. Breed, has achieved the widest use while other technologies, including magnetically damped sensors as disclosed in U.S. Pat. No. 4,933,515 to Behr et al and crush switch sensors such as disclosed in U.S. Pat. No. 4,995,639 to D. S. Breed, are now becoming available. Other sensors based on spring-mass technologies are also being used in the crush zone. Crush zone mounted sensors, in order to function properly, must be located in the crush zone at the required trigger time during a crash or they can trigger late. One example of this was disclosed in a Society of Automotive Engineers (SAE) Paper by Breed and Castelli titled "Trends in Sensing Frontal Impacts", SAE 890750, 1989, and further in U.S. Pat. No. 4,900,880. In impacts with soft objects, the crush of a vehicle can be significantly less than for impacts with barriers, for example. In such cases, even at moderate velocity changes where an

airbag might be of help in mitigating injuries, the crush zone mounted sensor might not actually be in the crush zone at the time that sensor triggering is required for timely airbag deployment, and as a result can trigger late when the occupant is already resting against the airbag module.

There is a trend underway toward the implementation of Single Point Sensors (SPS) which are typically located in the passenger compartment. In theory, these sensors use sophisticated computer algorithms to determine that a particular crash is sufficient severe as to require the deployment of an airbag. In another SAE paper by Breed, Sanders and Castelli titled "A Critique of Single Point Sensing", SAE 920124, 1992, which is included herein by reference, the authors demonstrate that there is insufficient information in the non-crush zone of the vehicle to permit a decision to be made to deploy an airbag in time for many crashes. Thus, sensors mounted in the passenger compartment or other non-crush zone locations, will also trigger the deployment of the airbag late on many crashes.

A crash sensor is necessarily a predictive device. In order to inflate the airbag in time, the inflation must be started before the full severity of the crash has developed. All predictive devices are subject to error, so that sometimes the airbag will be inflated when it is not needed and at other times it will not be inflated when it could have prevented injury. The accuracy of any predictive device can improve significantly when a longer time is available to gather and process the data. One purpose of the occupant position sensor is to make possible this additional time in those cases where the occupant is farther from the steering wheel when the crash begins and/or where, due to seat belt use or otherwise, the occupant is moving toward the steering wheel more slowly. In these cases the decision on whether to deploy the airbag can be deferred and a more precise determination made of whether the airbag is needed.

The discussions of timely airbag deployment above are all based on the seating position of the average male (the so called 50% male) relative to the airbag or steering wheel. For the 50% male, the sensor triggering requirement is typically calculated based on an allowable motion of the occupant of 5 inches before the airbag is fully inflated. Airbags typically require about 30 milliseconds of time to achieve full inflation and, therefore, the sensor must trigger inflation of the airbag 30 milliseconds before the occupant has moved forward 5 inches. The 50% male, however, is actually the 70% person and therefore about 70% of the population sit on average closer to the airbag than the 50% male and thus are exposed to a greater risk of interacting with the deploying airbag. A recent informal survey, for example, found that although the average male driver sits about 12 inches from the steering wheel, about 2% of the population of drivers sit closer than 6 inches from the steering wheel and 10% sit closer than 9 inches. Also, about 1% of drivers sit at about 24 inches and about 16% at least 18 inches from the steering wheel. None of the sensor systems now on the market take account of this variation in occupant seating position and yet this can have a critical effect on the sensor required maximum triggering time.

For example, if a fully inflated airbag is about 7 inches thick, measured from front to back, then any driver who is seated closer than 7 inches will necessarily interact with the deploying airbag and the airbag probably should not be deployed at all. For a recently analyzed 30 mph barrier crash of a mid-sized car, the sensor required triggering time, in order to allow the airbag to inflate fully before the driver becomes closer than 7 inches from the steering wheel, results in a maximum sensing time of 8 milliseconds for an

occupant initially positioned 9 inches from the airbag, 25 milliseconds at 12 inches, 45 milliseconds at 18 inches and 57 milliseconds for the occupant who is initially positioned at 24 inches from the airbag. Thus for the same crash, the sensor required triggering time varies from a no trigger to 57 milliseconds, depending on the initial position of the occupant. A single sensor triggering time criterion that fails to take this into account, therefore, will cause injuries to small people or deny the protection of the airbag to larger people. A very significant improvement to the performance of an airbag system will necessarily result from taking the occupant position into account as described herein.

A further complication results from the fact that a greater number of occupants are now wearing seatbelts which tends to prevent many of these occupants from getting too close to the airbag. Thus, just knowing the initial position of the occupant is insufficient and either the position must be continuously monitored or the seatbelt use must be known. Also, the occupant may have fallen asleep or be unconscious prior to the crash and be resting against the steering wheel. Some sensor systems have been proposed that double integrate the acceleration pulse in the passenger compartment and determine the displacement of the occupant based on the calculated displacement of an unrestrained occupant seated at the mid seating position. This sensor system then prevents the deployment of the airbag if, by this calculation, the occupant is too close to the airbag. This calculation can be greatly in error for the different seating positions discussed above and also for the seatbelted occupant, and thus an occupant who wears a seatbelt could be denied the added protection of the airbag in a severe crash.

As the number of vehicles which are equipped with airbags is now rapidly increasing, the incidence of late deployments is also increasing. It has been estimated that out of approximately 400 airbag related complaints to the National Highway Traffic Safety Administration (NHTSA) through 1991, for example, about 5% to 10% involved burns and injuries which were due to late airbag deployments. There is also at least three known fatalities where a late airbag deployment is suspected as the cause.

The need for an occupant position sensor has been observed by others and several methods have been disclosed in U.S. patents for determining the position and velocity of an occupant of a motor vehicle. Each of these systems, however, have significant limitations. In White et al U.S. Pat. No. 5,071,160, for example, a single acoustic sensor and detector is disclosed and illustrated mounted lower than the steering wheel. White et al correctly perceive that such a sensor could be defeated, and the airbag falsely deployed, by an occupant adjusting the control knobs on the radio and thus they suggest the use of a plurality of such transmitter/receivers. If a driver of a vehicle is seated one foot from the transmitter/receiver, and using 1128 feet per second as the velocity of sound, it would require approximately 2 milliseconds for the sound to travel to the occupant and return. The use of the same device to both transmit and detect the sound waves requires that the device cannot send and receive simultaneously and therefore it requires at least 2 milliseconds to obtain a single observation of the occupant's position. Naturally as the distance from the occupant to the sensor increases, the observation rate further decreases. For a passenger sitting two feet from the sensor, the delay is approximately 4 milliseconds. Sensors of this type can be used to accurately obtain the initial position of the occupant but the determination of the occupant's velocity, and thus the prediction of when he/she is likely to be too close to the deploying airbag, will necessarily be inaccurate due to the

long delay between position points and thus the small number of such points available for the prediction and the inherent noise in the reflected signal.

Mattes et al in U.S. Pat. No. 5,118,134 disclose a single ultrasonic transmitter and a separate receiver, but, no description is provided as to the manner in which this combination is used. In conventional ultrasonic distance measuring systems, the transmitter emits a burst of ultrasonic waves and then measures the time required for the waves to bounce off the object and reach the receptor. The transmitter does not transmit again until the waves have been received by the receiver. This system again suffers from the time delay of at least 2 to 4 milliseconds described above.

Doppler techniques can be used to determine the velocity of the occupant as disclosed below. Both White et al and Mattes et al. however, specifically state that the occupant's velocity is determined from a succession of position measurements. The use of the Doppler effect is disclosed in U.S. Pat. No. 3,275,975 to King, but only to determine that the occupant is not moving. No attempt is made by King to measure the velocity of the occupant toward an airbag using this effect. Also none of the references above disclose the use of an ultrasonic transmitter and receiver to simultaneously determine the position and velocity of the occupant using a combination of the transmission time and the doppler effect as disclosed below.

The object of an occupant position sensor is to determine the location of the head and/or chest of the vehicle occupant relative to the airbag since it is the impact of either the head or chest with the deploying airbag which can result in serious injuries. For the purposes herein, therefore, whenever the position of the occupant is referenced it will mean the position of the head or chest of the occupant and not that of his/her arms, hands or legs. The preferred mounting of the ultrasonic transmitters, therefore, are those locations which have the clearest unimpeded view of the occupant's head and chest. These locations are generally at the top of the dashboard, the windshield, the headliner above the windshield and the rear view mirror. Both Whites et al and Mattes et al disclose only lower mounting locations of the ultrasonic transmitters such as on the dashboard or below the steering wheel. Both such mounting locations are particularly prone to detection errors due to positioning of the occupant's hands, arms and legs. This would require at least three, and preferably more, such sensors and detectors and an appropriate logic circuitry for the case where the driver's arms are the closest objects to two of the sensors. When an unimpeded view is not possible, some means of pattern recognition, which is not disclosed in the above references, is required to differentiate between the occupant and his/her extremities such as his/her hands, arms or legs.

Mattes et al further disclose the placement of the sensor in the headrest but such an arrangement is insufficient since it measures the distance from the headrest to the occupant and not from the airbag.

White et al discloses the use of error correction circuitry to differentiate between the velocity of one of the occupant's hands as in the case where he/she is adjusting the knob on the radio and the remainder of the occupant. Three ultrasonic sensors of the type disclosed by White et al would accomplish this differentiation if two of them indicated that the occupant was not moving while the third was indicated that he or she was. Such a combination, however, would not differentiate between an occupant with both hands and arms in the path of the ultrasonic transmitter at such a location that

it was blocking a substantial view of the occupant's head or chest. Since the sizes and driving positions of occupants are extremely varied, pattern recognition systems are required when a clear view of the occupant, unimpeded by his/her extremities, cannot be guaranteed. Pattern recognition systems for the occupant as used here means any system which will differentiate between the occupant and his extremities based on relative size, position or shape. Pattern recognition systems can also be used to differentiate an occupant from a seat or a bag of groceries also based on relative size, position or shape or even on passive infrared radiation, as desired below.

SUMMARY OF THE INVENTION

The occupant position sensor of this invention is adapted for installation in the passenger compartment of an automotive vehicle equipped with a passenger protective device such as an inflatable airbag. When the vehicle is subjected to a crash of sufficient magnitude as to require deployment of the passive protective device, and the sensor system has determined that the device is to be deployed, the occupant position sensor and associated electronic circuitry determines the position of the vehicle occupant relative to the airbag and disables deployment of the airbag if the occupant is positioned so that he/she is likely to be injured by the deploying airbag. Naturally, as discussed below, the addition of an occupant position sensor onto a vehicle leads to other possibilities such as the monitoring of the driver's behavior which can be used to warn a driver if he or she is falling asleep, or the stop the vehicle if the driver loses the capacity to control the vehicle.

According to a preferred implementation, an ultrasonic generator transmits a burst of ultrasonic waves which travel to the occupant and are reflected back to a receptor, which may be the same device as the generator. The time period required for the waves to travel from the generator and return is used to determine the position of the occupant and the frequency shift of the waves is used to determine the velocity of the occupant relative to the airbag.

In another preferred implementation, infrared light is used to illuminate the occupant and lenses are used to focus images of the occupant onto arrays of charge coupled devices (CCD). Outputs from the CCD arrays, are analyzed by appropriate logic circuitry, to determine the position and velocity of the occupant's head and chest.

In yet another preferred implementation, a beam of radiation is moved back and forth across the occupant illuminating various portions of the occupant and with appropriate algorithms the position of the occupant in the seat is accurately determined.

It is a principal object of this invention to provide an occupant position sensor which reliably permits, and in a timely manner, a determination to be made that he/she is out of position, or will become out of position, and likely to be injured by a deploying airbag.

It is also a principal object of this invention to provide a system which will accurately discriminate between the occupant's head or chest and other parts of the body in determining the occupant's position and velocity.

It is another object of this invention to independently prevent the deployment of the driver or passenger airbags if either occupant is out of position.

It is still another object of this invention to provide for a more complete analysis of an occupant through the use of CCD's to capture more of the occupant's image.

Another object of this invention is to provide a warning to a driver if he/she is falling asleep.

Still another object of this invention is to sense that a driver is inebriated or otherwise suffering from a reduced capacity to operate a motor vehicle and to take appropriate action.

Other objects and advantages of the present invention will become apparent from the following description of the preferred embodiments taken in conjunction with the accompanying drawings.

BRIEF DESCRIPTION OF THE DRAWINGS

FIG. 1 is a side view with certain portions removed or cut away, of a portion of the passenger compartment of a vehicle showing several preferred mounting locations of occupant position sensors for sensing the position of the vehicle driver.

FIG. 2 is a cross section view of a steering wheel and airbag module assembly showing a preferred mounting location of an ultrasonic wave generator and receiver.

FIG. 3 is a side view, with certain portions removed or cut away, of a portion of the passenger compartment of a vehicle showing preferred mounting locations of the occupant position sensor employing multiple transmitters and receivers.

FIG. 4 is a side view, with certain portions removed or cut away, of a portion of the passenger compartment of a vehicle showing an occupant position sensor used in combination with a reflective windshield for sensing the position of the vehicle passenger.

FIG. 5 is a partial cutaway view of a seatbelt retractor with a spool out sensor utilizing a shaft encoder.

FIG. 6 is a side view of a portion of a seat and seat rail showing a seat position sensor utilizing a potentiometer.

FIG. 7 is a circuit schematic illustrating the use of the occupant position sensor in conjunction with the remainder of the inflatable restraint system.

FIG. 8 is a schematic illustrating the circuit of an occupant position sensing device using a modulated infrared signal, beat frequency and phase detector system.

DESCRIPTION OF THE PREFERRED EMBODIMENTS

Referring now to the drawings, a section of the passenger compartment of an automobile is shown generally as **100** in FIG. 1. A driver of a vehicle **101** sits on a seat **102** behind a steering wheel **103** which contains an airbag assembly **104**. Five transmitter and/or receiver assemblies **110**, **111**, **112**, **113** and **114** are positioned at various places in the passenger compartment to determine the location of the head, chest and torso of the driver relative to the airbag. Usually, in any given implementation, only one or two of the transmitters and receivers would be used depending on their mounting locations as described below.

FIG. 1 illustrates several of the possible locations of such devices. For example, transmitter and receiver **110** emits ultrasonic acoustical waves which bounce off the chest of the driver and return. Periodically a burst of ultrasonic waves at about 50 kilohertz is emitted by the transmitter/receiver and then the echo, or reflected signal, is detected by the same or different device. An associated electronic circuit measures the time between the transmission and the reception of the ultrasonic waves and thereby determines the distance from the transmitter/receiver to the driver based on the velocity of sound. This information is then sent to the crash sensor and diagnostic circuitry which determines if the driver is close enough to the airbag that a deployment might, by itself, cause injury to the driver. In such a case the circuit disables

the airbag system and thereby prevents its deployment. In an alternate case, the sensor algorithm assesses the probability that a crash requiring an airbag is in process and waits until that probability exceeds an amount that is dependent on the position of the occupant. Thus, for example, the sensor might decide to deploy the airbag based on a need probability assessment of 50%, if the decision must be made immediately for an occupant approaching the airbag, but might wait until the probability rises to 95% for a more distant occupant. Although a driver system has been illustrated, the passenger system would be identical.

In another implementation, the sensor algorithm may determine the rate that gas is generated to affect the rate that the airbag is inflated. In all of these cases the position of the occupant is used to affect the deployment of the airbag either as to whether or not it should be deployed at all, the time of deployment or as to the rate of inflation.

The ultrasonic transmitter/receiver **110** is similar to that used on modern auto-focus cameras such as manufactured by the Polaroid Corporation. Other camera auto-focusing systems use different technologies, which are also applicable here, to achieve the same distance to object determination. One camera system manufactured by Fuji of Japan, for example, uses a stereoscopic system which could also be used to determine the position of a vehicle occupant providing there is sufficient light available. In the case of insufficient light, a source of infrared light can be added to illuminate the driver. In a related implementation, a source of infrared light is reflected off of the windshield and illuminates the vehicle occupant. An infrared receiver **114** is located attached to the rear view mirror **105**, as shown in FIG. 1. Alternately, the infrared could be sent by the device **114** and received by a receiver elsewhere. Since any of the devices shown in FIGS. 1 and 3 could be either transmitters, receivers or both, for simplicity, only the transmitted and not the reflected wave fronts are illustrated.

In the above described system a lens within receptor **114** captures the reflected infrared light from the head or chest of the driver and displays it onto a charge coupled device (CCD) array. One type of CCD is that used in television cameras to convert an image into an electrical signal. For the purposes herein a CCD will be used to include all devices which are capable of converting light frequencies, including infrared, into electrical signals. The CCD is scanned and the focal point of the lens is altered, under control of an appropriate circuit, until the sharpest image of the driver's head or chest results and the distance is then known from the focusing circuitry. The precision of this measurement is enhanced if two receptors are used which can either project images onto a single CCD or on separate CCDs. In the first case, one of the lenses could be moved to bring the two images into coincidence while in the other case the displacement of the images needed for coincidence would be determined mathematically. Naturally, other systems could be used to keep track of the different images such as the use of filters creating different infrared frequencies for the different receptors and again using the same CCD array. In addition to greater precision in determining the location of the occupant, the separation of the two receptors can also be used to minimize the effects of hands, arms or other extremities which might be very close to the airbag. In this case, where the receptors are mounted high on the dashboard on either side of the steering wheel, an arm, for example, would show up as a thin object but much closer to the airbag than the larger body parts and, therefore, easily distinguished and eliminated, permitting the sensors to determine the distance to the occupant's chest. This is one example of the use of pattern recognition.

An optical infrared transmitter and receiver assembly is shown generally at **112** in FIG. 1 and is mounted onto the instrument panel facing the windshield. Although not shown in this view, reference **112** consists of three devices, one transmitter and two receivers, one on each side of the transmitter. Note that **112** is above the top surface of the instrument panel; also see FIG. 4, *infra*, and claim **33**. In this case the windshield is used to reflect the illumination light, and also the light reflected back by the driver, in a manner similar to the "heads-up" display which is now being offered on several automobile models. The "heads-up" display, of course, is currently used only to display information to the driver and is not used to reflect light from the driver to a receiver. In this case the distance to the driver is determined stereoscopically through the use of the two receivers. In its most elementary sense, this system can be used to measure the distance of the driver to the airbag module. In more sophisticated applications, the position of the driver, and particularly of the drivers head, can be monitored over time and any behavior, such as a drooping head, indicative of the driver falling asleep or of being incapacitated by drugs, alcohol or illness can be detected and appropriate action taken. Other forms of radiation including visual light, radar and microwaves as well as high frequency ultra sound could also be used by those skilled in the art.

Particular mention should be made of the use of radar since inexpensive single axis antennas are now readily available. A scanning radar beam is used in this implementation and the reflected signal is received by a single axis phase array antenna to generate an image of the occupant for input into the appropriate pattern detection circuitry. The word circuitry as used herein includes, in addition to normal electronic circuits, a microprocessor and appropriate software.

Electromagnetic or ultrasonic energy can be transmitted in three modes in determining the position of an occupant. In most of the cases disclosed above, it is assumed that the energy will be transmitted in a broad diverging beam which interacts with a substantial portion of the occupant. This method has the disadvantage that it will reflect first off the nearest object and, especially if that object is close to the transmitter, it may mask the true position of the occupant. This can be partially overcome through the use of the second mode which uses a narrow beam. In this case, several narrow beams are used. These beams are aimed in different directions toward the occupant from a position sufficiently away from the occupant that interference is unlikely. A single receptor could be used providing the beams are either cycled on at different times or are of different frequencies. Another approach is to use a single beam emanating from a location which has an unimpeded view of the occupant such as the windshield header. If two spaced apart CCD array receivers are used, the angle of the reflected beam can be determined and the location of the occupant can be calculated. The third mode is to use a single beam in a manner so that it scans back and forth or up and down, or in some other pattern, across the occupant. In this manner, an image of the occupant can be obtained using a single receptor and pattern recognition software can be used to locate the head or chest of the occupant. The beam approach is not applicable to electromagnetic energy but high frequency ultra sound can also be formed into a narrow beam.

The windshield header as used herein includes the space above the front windshield including the first few inches of the roof.

A similar effect to modifying the wave transmission mode can also be obtained by varying the characteristics of the

receptors. Through appropriate lenses or reflectors, receptors can be made to be most sensitive to radiation emitted from a particular direction. In this manner a single broad beam transmitter can be used coupled with an array of focused receivers to obtain a rough image of the occupant.

Each of these methods of transmission or reception could be used, for example, at any of the preferred mounting locations shown in FIG. 1.

Another preferred location of a transmitter/receiver for use with airbags is shown at **111** in FIG. 1. In this case the device is attached to the steering wheel and gives an accurate determination of the distance of the driver's chest from the airbag module. This implementation would generally be used with another device such as **110** at another location.

Alternate mountings for the transmitter/receiver include various locations on the instrument panel on either side of the steering column such as **113** in FIG. 1. Also, although some of the devices herein illustrated assume that for the ultrasonic system the same device would be used for both transmitting and receiving waves, there are advantages in separating these functions. Since there is a time lag required for the system to stabilize after transmitting a pulse before it can receive a pulse, close measurements are enhanced, for example, by using separate transmitters and receivers. In addition, if the ultrasonic transmitter and receiver are separated, the transmitter can transmit continuously providing the transmitted signal is modulated in such a manner that the received signal can be compared with the transmitted signal to determine the time it took for the waves to reach and reflect off of the occupant. Many methods exist for this modulation including varying the frequency or amplitude of the waves or by pulse modulation or coding. In all cases, the logic circuit which controls the sensor and receiver must be able to determine when the signal which was most recently received was transmitted. In this manner, even though the time that it takes for the signal to travel from the transmitter to the receiver, via reflection off of the occupant, may be several milliseconds, information as to the position of the occupant is received continuously which permits an accurate, although delayed, determination of the occupant's velocity from successive position measurements. Conventional ultrasonic distance measuring devices must wait for the signal to travel to the occupant and return before a new signal is sent. This greatly limits the frequency at which position data can be obtained to the formula where the frequency is equal two times the distance to the occupant divided by the velocity of sound. For example, if the velocity of sound is taken at about 1000 feet per second, occupant position data for an occupant located one foot from the transmitter can only be obtained every 2 milliseconds.

This slow frequency that data can be collected seriously degrades the accuracy of the velocity calculation. The reflection of ultrasonic waves from the clothes of an occupant, for example, can cause noise or scatter in the position measurement and lead to significant inaccuracies in a given measurement. When many measurements are taken more rapidly, as in the technique described here, these inaccuracies can be averaged and a significant improvement in the accuracy of the velocity calculation results.

The determination of the velocity of the occupant need not be derived from successive distance measurements. A potentially more accurate method is to make use of the Doppler effect where the frequency of the reflected waves differs from the transmitted waves by an amount which is proportional to the occupant's velocity. In a preferred embodiment of the present invention, a single ultrasonic

transmitter and a separate receiver are used to measure the position of the occupant, by the travel time of a known signal, and the velocity, by the frequency shift of that signal. Although the Doppler effect has been used to determine whether an occupant has fallen asleep as disclosed in the U.S. patent to King referenced above, it has not heretofore been used in conjunction with a position measuring device to determine whether an occupant is likely to become out of position and thus in danger of being injured by a deploying airbag. This combination is particularly advantageous since both measurements can be accurately and efficiently determined using a single transmitter and receiver pair resulting in a low cost system.

Another preferred embodiment of this invention makes use of radio waves and a voltage controlled oscillator (VCO). In this implementation, the frequency of the oscillator is controlled through the use of a phase detector which adjusts the oscillator frequency so that exactly one half wave occupies the distance from the transmitter to the receiver via reflection off of the occupant. The adjusted frequency is thus inversely proportional to the distance from the transmitter to the occupant. Alternately, an FM phase discriminator can be used as known to those skilled in the art. These systems could be used in any of the locations illustrated in FIG. 1.

It was suggested in the U.S. patent to Mattes et al, discussed above, that a passive infrared system could be used to determine the position of an occupant relative to an airbag. Passive infrared measures the infrared radiation emitted by the occupant and compares it to the background. As such, unless it is coupled with a pattern recognition system, it can best be used to determine that an occupant is moving toward the airbag since the amount of infrared radiation would then be increasing. Therefore, it could be used to estimate the velocity of the occupant but not his/her position relative to the airbag, since the absolute amount of such radiation will depend on the occupant's size, temperature and clothes as well as on his position. When passive infrared is used in conjunction with another distance measuring system, such as the ultrasonic system described above, the combination would be capable of determining both the position and velocity of the occupant relative to the airbag. Such a combination would be economical since only the simplest circuits would be required. In one implementation, for example, a group of waves from an ultrasonic transmitter could be sent to an occupant and the reflected group received by a receiver. The distance to the occupant would be proportional to the time between the transmitted and received groups of waves and the velocity determined from the passive infrared system. This system could be used in any of the locations illustrated in FIG. 1 as well as others not illustrated.

Passive infrared could also be used effectively in conjunction with a pattern recognition system. In this case, the passive infrared radiation emitted from an occupant can be focused onto a CCD array and analyzed with appropriate pattern recognition circuitry, or software, to determine the position of the occupant. Such a system could be mounted at any of the preferred mounting locations shown in FIG. 1 as well as others not illustrated.

A transmitter/receiver **215** shown mounted on the cover of the airbag module is shown in FIG. 2. The transmitter/receiver **215** is attached to various electronic circuitry, not shown, by means of wire cable **212**. When an airbag deploys, the cover **220** begins moving toward the driver. If the driver is in close proximity to this cover during the early stages of deployment, the driver can be seriously injured or even killed. It is important, therefore to sense the proximity

of the driver to the cover and if he or she gets too close, to disable deployment of the airbag. An accurate method of obtaining this information would be to place the distance measuring device onto the airbag cover as is shown in FIG. 2. Appropriate electronic circuitry can be used to not only determine the actual distance of the driver from the cover but also his velocity as discussed above. In this manner, a determination can be made as to where the driver is likely to be at the time of deployment of the airbag. This information can be used most importantly to prevent deployment but also to modify the rate of airbag deployment. In FIG. 2, for one implementation, ultrasonic waves are transmitted by a transmitter/receiver 215 toward the chest 222 of the driver. The reflected waves are then received by the same transmitter/receiver 215.

One problem of the system using a sensor 111 in FIG. 1 or sensor 215 as shown in FIG. 2 is that a driver may have inadvertently placed his hand over the transmitter/receiver 111 or 215, thus defeating the operation of the device. A second confirming transmitter/receiver 110 is therefore placed at some other convenient position such as on the roof or headliner of the passenger compartment as shown in FIG. 3. This transmitter/receiver operates in a manner similar to 111 and 215.

A more complicated and sophisticated system is shown conceptually in FIG. 4 where transmitter/receiver assembly 112 is illustrated. In this case, as described briefly above, an infrared transmitter and a pair of optical receivers are used to capture the reflection of the passenger. When this system is used to monitor the driver as shown in FIG. 4, with appropriate circuitry and a microprocessor, the behavior of the driver can be monitored. Using this system, not only can the position and velocity of the driver be determined and used in conjunction with an airbag system, but it is also possible to determine whether the driver is falling asleep or exhibiting other potentially dangerous behavior by comparing portions of his/her over time. In this case the speed of the vehicle can be reduced or the vehicle even stopped if this action is considered appropriate. This implementation has the highest probability of an unimpeded view of the driver since he/she must have a clear view through the windshield in order to operate the motor vehicle.

As discussed above, a primary object of this invention is to provide information as to the location of the driver, or other vehicle occupant, relative to the airbag, to appropriate circuitry which will process this information and make a decision as to whether to prevent deployment of the airbag in a situation where it would otherwise be deployed, or otherwise affect the time of deployment. One method of determining the position of the driver as discussed above is to actually measure his or her position either using microwaves, optics or acoustics. An alternate approach, which is preferably used to confirm the measurements made by the systems described above, is to use information about the position of the seat and the seatbelt spool out to determine the likely location of the driver relative to the airbag. To accomplish this the length of belt material which has been pulled out of the seatbelt retractor can be measured using conventional shaft encoder technology using either magnetic or optical systems. An example of an optical encoder is illustrated generally as 501 in FIG. 5. It consists of an encoder disk 502 and a receptor 503 which sends a signal to appropriate circuitry every time a line on the encoder disk passes by the receptor.

In a similar manner, the position of the seat can be determined through either a linear encoder or a potentiometer as illustrated in FIG. 6. In this case, a potentiometer 601

is positioned along the seat track 602 and a sliding brush assembly 603 is used with appropriate circuitry to determine the fore and aft location of the seat 610. Naturally, for those seats which permit the seat back angle to be adjusted, a similar measuring system would be used to determine the angle of the seat back. In this manner the position of the seat relative to the airbag module can be determined. This information can be used in conjunction with the seatbelt spool out sensor to confirm the approximate position of the chest of the driver relative to the airbag.

For most cases the seatbelt spool out sensor would be sufficient to give a good confirming indication of the position of the occupant's chest regardless of the position of the seat and seat back. This is because the seatbelt is usually attached to the vehicle at least at one end. In some cases, especially where the seat back angle can be adjusted, separate retractors would be used for the lap and shoulder portions of the seatbelt and the belt would not be permitted to slip through the "D-ring". The length of belt spooled out from the shoulder belt retractor then becomes a very good confirming measure of the position of the occupant's chest.

The occupant position sensor in any of its various forms can be integrated into the airbag system circuitry as shown schematically in FIG. 7. In this example, the occupant position sensors are used as an input to a smart electronic sensor and diagnostic system. The electronic sensor determines whether the airbag should be deployed based on the vehicle acceleration crash pulse, or crush zone mounted crash sensor, and the occupant position sensor determines whether the occupant is too close to the airbag and therefore that the deployment should not take place.

A particular implementation of an occupant position sensor having a range of from 0 to 2 meters (corresponding to an occupant position of from 0 to 1 meter since the signal must travel both to and from the occupant) using infrared is illustrated in the block diagram schematic of FIG. 8. The operation is as follows. A 48 MHz signal, f1, is generated by a crystal oscillator 801 and fed into a frequency tripler 802 which produces an output signal at 1.44 MHz. The 1.44 MHz signal is then fed into an infrared diode driver 803 which drives the infrared diode 804 causing it to emit infrared light modulated at 1.44 MHz and a reference phase angle of zero degrees. The infrared diode 804 is directed at the vehicle occupant. A second signal f2 having a frequency of 48.05 Mhz, which is slightly greater than f1, is also fed into a frequency tripler 806 to create a frequency of 144.15 Mhz. This signal is then fed into a mixer 807 which combines it with the 144 MHz signal from frequency tripler 802. The combined signal from the mixer 807 is then fed to filter 808 which removes all signals except for the difference, or beat frequency, between 3 times f1 and 3 times f2, of 150 KHz. The infrared signal which is reflected from the occupant is received by receiver 809 and fed into pre-amplifier 811. This signal has the same modulation frequency, 144 MHz, as the transmitted signal but now is out of phase with the transmitted signal by an angle x due to the path that the signal took from the transmitter to the occupant and back to the receiver. The output from pre-amplifier 811 is fed to a second mixer 812 along with the 144.15 MHz signal from the frequency tripler 806. The output from mixer 812 is then amplified by the automatic gain amplifier 813 and fed into filter 814. The filter 814 eliminates all frequencies except for the 150 KHz difference, or beat, frequency in a similar manner as was done by filter 808. The resulting 150 KHz frequency, however, now has a phase angle x relative to the signal from filter 808. Both 150 KHz signals are now fed into a phase detector 815 which determines the magni-

tude of the phase angle x . It can be shown mathematically that, with the above values, the distance from the transmitting diode to the occupant is $x/345.6$ where x is measured in degrees and the distance in meters.

The applications described herein have been illustrated using the driver of the vehicle. Naturally the same systems of determining the position of the occupant relative to the airbag apply to the passenger, sometimes requiring minor modifications. It is likely that the sensor required triggering time based on the position of the occupant will be different for the driver than for the passenger. Current systems are based primarily on the driver with the result that the probability of injury to the passenger is necessarily increased either by deploying the airbag too late or by failing to deploy the airbag when the position of the driver would not warrant it but the passenger's position would. With the use of occupant position sensors for both the passenger and driver, the airbag system can be individually optimized for each occupant and result in further significant injury reduction. In particular, either the driver or passenger system can be disabled if either the driver or passenger is out of position.

There is almost always a driver present in vehicles that are involved in accidents where an airbag is needed. Only about 30% of these vehicles, however, have a passenger. If the passenger is not present, there is usually no need to deploy the passenger side airbag. The occupant position sensor, when used for the passenger side with proper pattern recognition circuitry, can also ascertain whether or not the seat is occupied, and if not, can disable the deployment of the passenger side airbag and thereby save the cost of its replacement. A sophisticated pattern recognition system could even distinguish between an occupant and a bag of groceries, for example. Finally, there has been much written about the out of position child who is standing or otherwise positioned adjacent to the airbag, perhaps due to pre-crash braking. Naturally, the occupant position sensor described herein can prevent the deployment of the airbag in this situation.

There has thus been shown and described an occupant position sensor which fulfills all the objects and advantages sought after. Many changes, modifications, variations and other uses and applications of the subject invention will, however, become apparent to those skilled in the art after considering this specification and the accompanying drawings which disclose the preferred embodiments thereof. All such changes, modifications, variations and other uses and applications which do not depart from the spirit and scope of the invention are deemed to be covered by the invention which is limited only by the following claims.

What is claimed is:

1. In a motor vehicle containing an inflatable passive restraint system and a seat, a human occupant presence sensor comprising:

- (a) wave generator means;
- (b) means for mounting said wave generator to direct said waves toward said vehicle seat;
- (c) receptor means for receiving said waves which have been reflected from multiple points from the direction of said seat; and
- (d) pattern recognition means utilizing said received reflected waves at said receptor means to determine the presence of a human occupant in said seat.

2. In a motor vehicle having a human occupant, a vehicle human occupant chest position sensor comprising: at least one transmitter for transmitting waves toward said occupant; means for varying the direction of transmission of said

transmitted waves over time whereby the center of the cross-section of said transmitted wave strikes said occupant at different points over time; at least one receiver for receiving waves from said transmitter and reflected off of said occupant; pattern recognition means for analyzing the signal waves received by said receiver to determine the position of said chest.

3. The invention in accordance with claim 2 wherein said transmitted waves are radar waves and said receiver comprises a single axis antenna.

4. In a motor vehicle having a human occupant, a passive restraint in front of said occupant, an instrument panel, a windshield header, and a rear view mirror, said occupant having ahead and a chest, a vehicle human occupant position sensor comprising:

- a) at least one transmitter for transmitting waves toward said occupant, said waves illuminating said chest of said occupant;
- b) at least one receiver for receiving said transmitted waves which have been reflected off of said chest of said occupant, each said receiver producing a signal characteristic of waves received at said receiver;
- c) means to mount at least one of said transmitters and at least one of said receivers onto said vehicle above the top surface of said instrument panel of said vehicle;
- d) analysis means connected to said at least one receiver, said means analyzing said at least one signal to determine the distance from said chest of said occupant to said passive restraint; and
- e) means to respond to said determined distance from said chest of said occupant to said passive restraint to affect the deployment of said passive restraint.

5. The invention in accordance with claim 4 wherein said mounting location above the top surface of said instrument panel of said vehicle comprises said rear view mirror.

6. The invention in accordance with claim 4 wherein said mounting location above the top surface of said instrument panel of said vehicle comprises said windshield header.

7. The apparatus of claim 4, said analysis means further comprising pattern recognition means.

8. The apparatus of claim 4 wherein said waves are ultrasonic waves.

9. The apparatus of claim 4 wherein said waves are electromagnetic waves.

10. The occupant position sensor of claim 4 comprising at least two of said transmitters and at least two said receivers.

11. The apparatus of claim 4 wherein at least one of said receivers comprises a charge coupled device.

12. The apparatus of claim 4 wherein said means to respond further comprises circuitry to disable the deployment of said passive restraint.

13. The apparatus of claim 4 wherein said restraint is inflatable.

14. The apparatus of claim 8 wherein the rate at which distance measurements are made using ultrasonic waves is such that said rate exceeds: two times the minimum distance to the occupant divided by the velocity of sound, said transmissions occurring such that associated receptions are known and distinguishable.

15. The apparatus of claim 4 wherein said responsive means further comprises an alarm.

16. The apparatus of claim 4 further comprising means to modulate the waves transmitted by said at least one transmitter.

17. The apparatus of claim 16 wherein said modulations is frequency modulation.

15

18. The apparatus of claim 16 wherein said modulation is amplitude modulation.

19. The apparatus of claim 7 wherein at least one said transmitter transmits infrared waves toward said chest and head of said occupant, said transmitter further comprising

- a) means to modulate said transmitted waves with a first signal at a first frequency;
- b) means to generate a second signal, said second signal having a second frequency slightly different from said first signal;
- c) at least one infrared receiver for receiving said waves transmitted from said transmitter and reflected off of said occupant, said receiver providing a third signal corresponding to said first frequency but shifted in phase;

said apparatus further comprising

- i) means to combine said first signal with said second signal to produce a first beat signal;
- ii) means to combine said third signal with said second signal to produce a second beat signal; and
- iii) means to detect a phase shift between said first beat signal and said second beat signal, said phase shift being a measure of the distance of the occupant from said transmitter.

16

20. The apparatus of claim 11 wherein there are two spaced apart receivers, each said receiver comprising a charge coupled device.

21. In a motor vehicle having both driver and front seated passenger inflatable restraint systems, a driver having a chest and head and a front seated passenger, a dual deployment system comprising: crash sensor means for determining that a vehicle is experiencing a crash; deployment means for deploying the driver inflatable restraint system; deployment means for deploying the passenger inflatable restraint system; means for determining the position and velocity of the head of said driver relative to said driver inflatable restraint; means for preventing or delaying the deployment of said driver restraint system based on the position and velocity of said driver's head; means for determining the position and velocity of said front seated passenger relative to said passenger inflatable restraint; and means independent of said driver position and velocity, for preventing or delaying the deployment of said passenger restraint system based on the position and velocity of said passenger.

* * * * *