



US00RE37687E

(19) **United States**
(12) **Reissued Patent**
Howie, Jr.

(10) **Patent Number: US RE37,687 E**
(45) **Date of Reissued Patent: May 7, 2002**

- (54) **METHOD FOR MANUFACTURING AN INDICATOR KNOB AND A KNOB**
- (75) Inventor: **Robert K. Howie, Jr.**, Decatur, IL (US)
- (73) Assignee: **The Grigoleit Company**, Decatur, IL (US)

4,155,972 A	5/1979	Hauser et al.	
4,165,659 A	8/1979	Fawley	
4,179,771 A	12/1979	Rankins et al.	
4,295,246 A	10/1981	Howie	16/121
4,395,817 A	8/1983	Asada et al.	
4,441,230 A	4/1984	Howie, Jr.	

(List continued on next page.)

FOREIGN PATENT DOCUMENTS

- (21) Appl. No.: **09/604,456**
- (22) Filed: **Jun. 23, 2000**

DE	26 36 920 A	2/1978
EP	0 498960a L	12/1991
GB	1561972	3/1980
GB	2253898 A	9/1992
GB	2253996 A	9/1992

Related U.S. Patent Documents

Reissue of:

- (64) Patent No.: **5,845,365**
- Issued: **Dec. 8, 1998**
- Appl. No.: **08/605,270**
- Filed: **Jan. 5, 1996**

Primary Examiner—Anthony Knight
Assistant Examiner—Mark Williams
 (74) *Attorney, Agent, or Firm*—Cook, Alex, McFarron, Manzo, Cummings & Mehler, Ltd.

- (51) **Int. Cl.**⁷ **A45C 3/00; A45C 7/00; A45C 13/22; A45C 13/26; A45F 5/10**
- (52) **U.S. Cl.** **16/441; 16/412; 16/DIG. 19; 240/2.13; 116/309**
- (58) **Field of Search** **16/121, DIG. 19; 116/DIG. 30, 309, 318, 328; 240/2.13**

(57) **ABSTRACT**

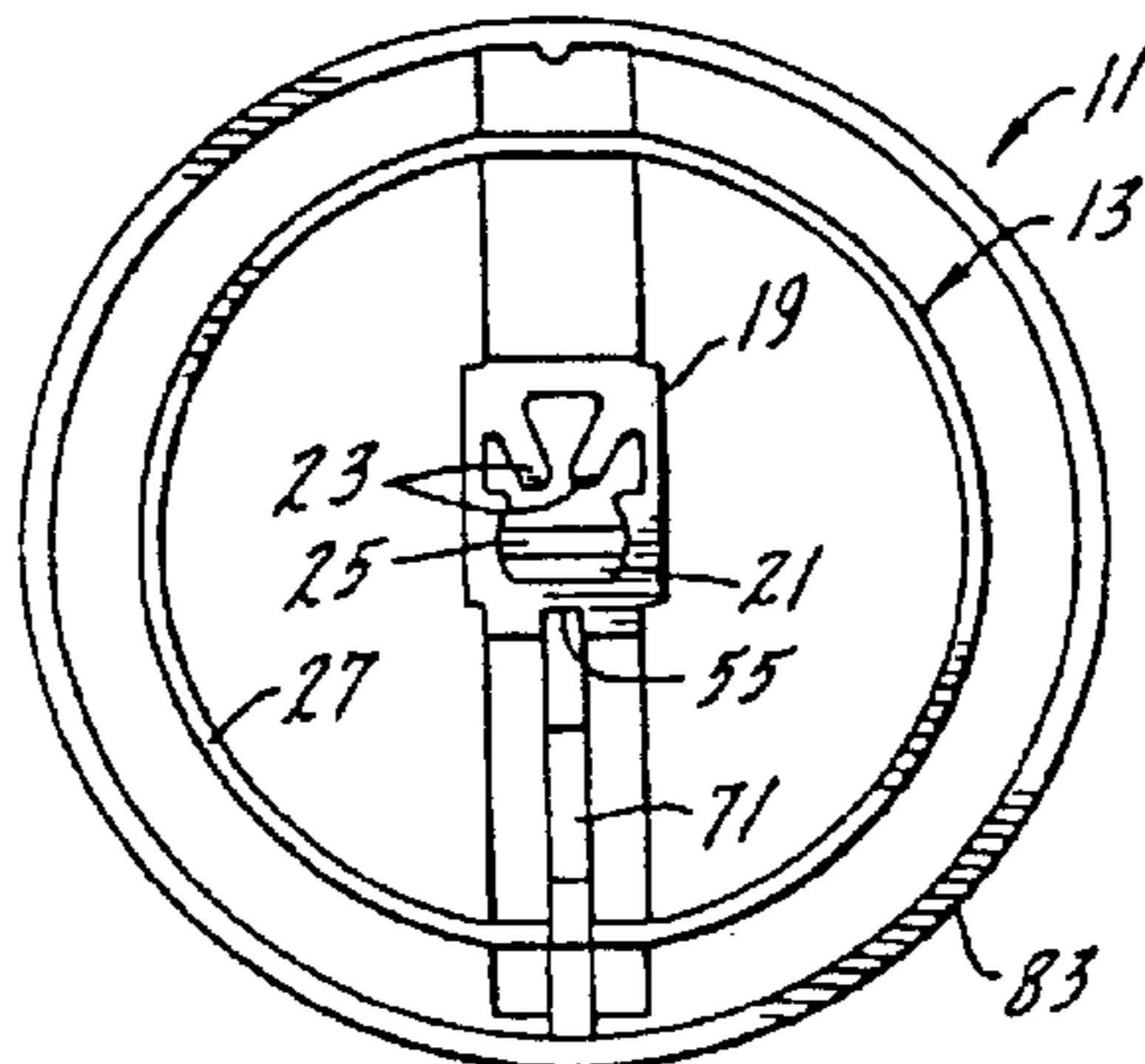
A method of making a composite plastic knob including the steps of forming a plastic core having a front wall of a generally uniform thickness with an integral discernible window portion formed in a fin projecting outwardly of the front wall and with the window having a thickness less than the generally uniform thickness of the front wall; positioning an anvil in the core in supporting engagement with the window portion of the fin and injection molding an outer covering of an opaque plastic of a contrasting color over the front wall of the core except for the window portion of the fin thereof. The knob includes a plastic core having a front wall of generally uniform thickness and an integral portion of a window formed in a fin projecting outwardly of the front wall. The window is thinner than the front wall of the core. An anvil is positioned in the core in engagement with the window portion of the front wall and an outer covering of an opaque plastic overlies the front wall of the core except for the window to allow the window to function as an indicator. The anvil may be of metal and formed as part of the tooling or it may be formed of a light transmitting material which is permanently fastened into the core of the knob. The permanently fastened anvil may be equipped with radially extending hooks.

(56) **References Cited**

U.S. PATENT DOCUMENTS

2,071,147 A	2/1937	Watson	
2,185,492 A	1/1940	Barrett	
2,193,586 A	3/1940	Fischett	
2,285,963 A	6/1942	Gits et al.	
2,425,611 A	8/1947	Frost et al.	
2,565,803 A	8/1951	Danielson et al.	
2,831,453 A	4/1958	Hardesty	
3,163,739 A	12/1964	Hutt	
3,468,020 A	9/1969	Carlson et al.	
3,514,366 A	5/1970	Allport	
3,543,329 A	12/1970	Gulette et al.	
3,549,733 A	12/1970	Caddell	
3,619,594 A	11/1971	Morez	240/2.13
3,679,252 A	7/1972	Howie, Jr.	
3,880,536 A	4/1975	Petrus	
4,000,539 A	1/1977	Neyer	16/121
4,094,210 A	6/1978	Wirtz et al.	

26 Claims, 2 Drawing Sheets



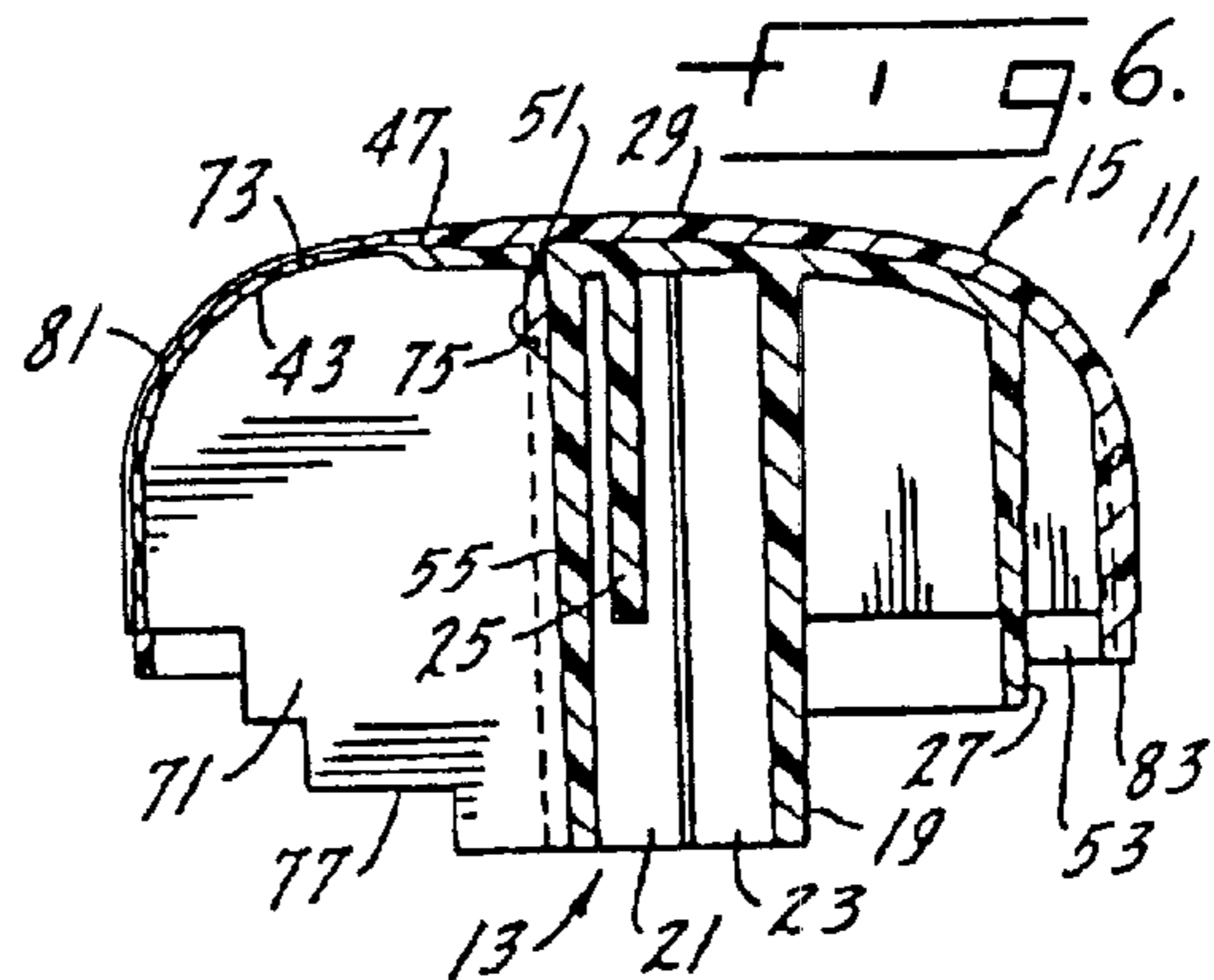
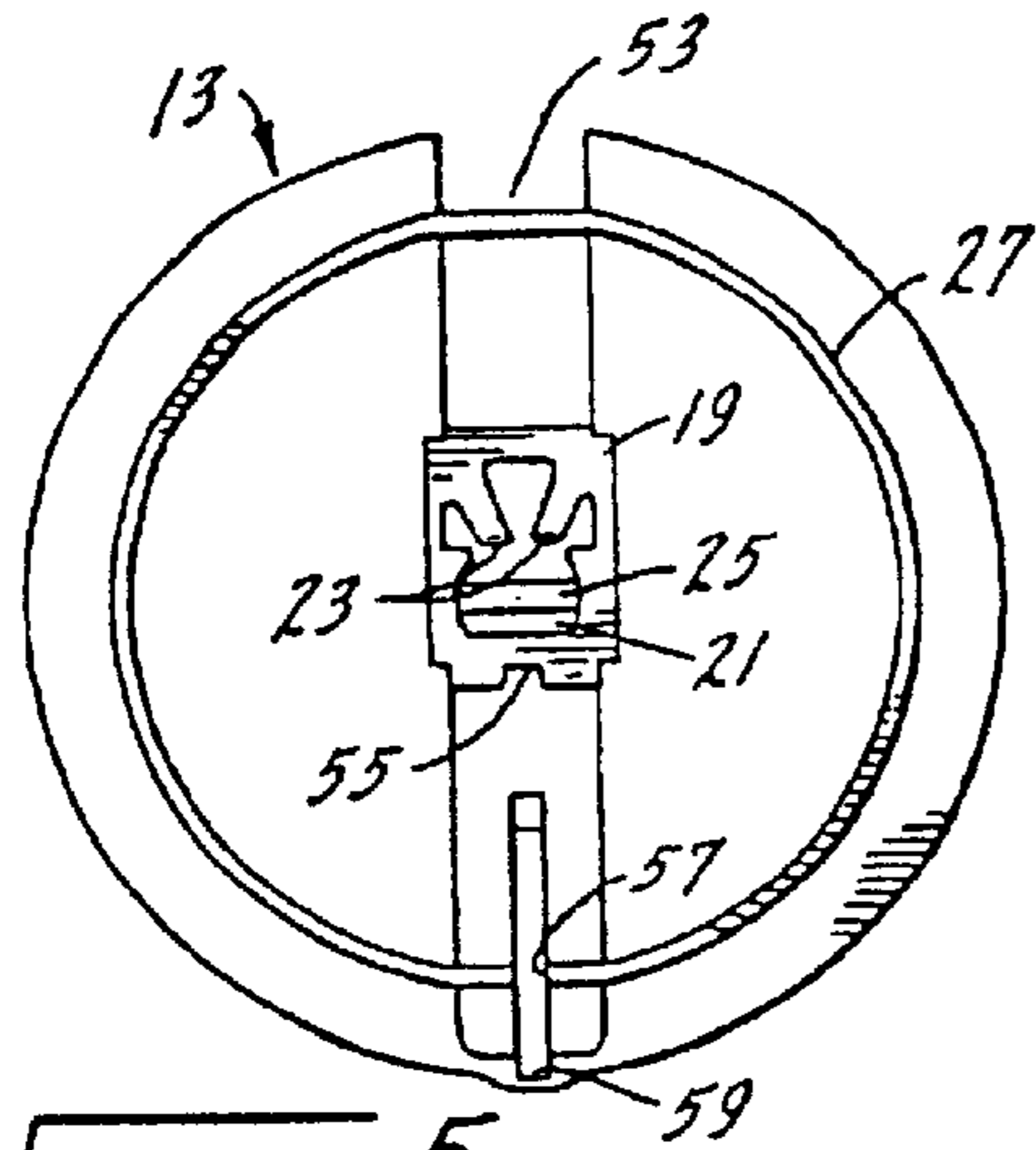
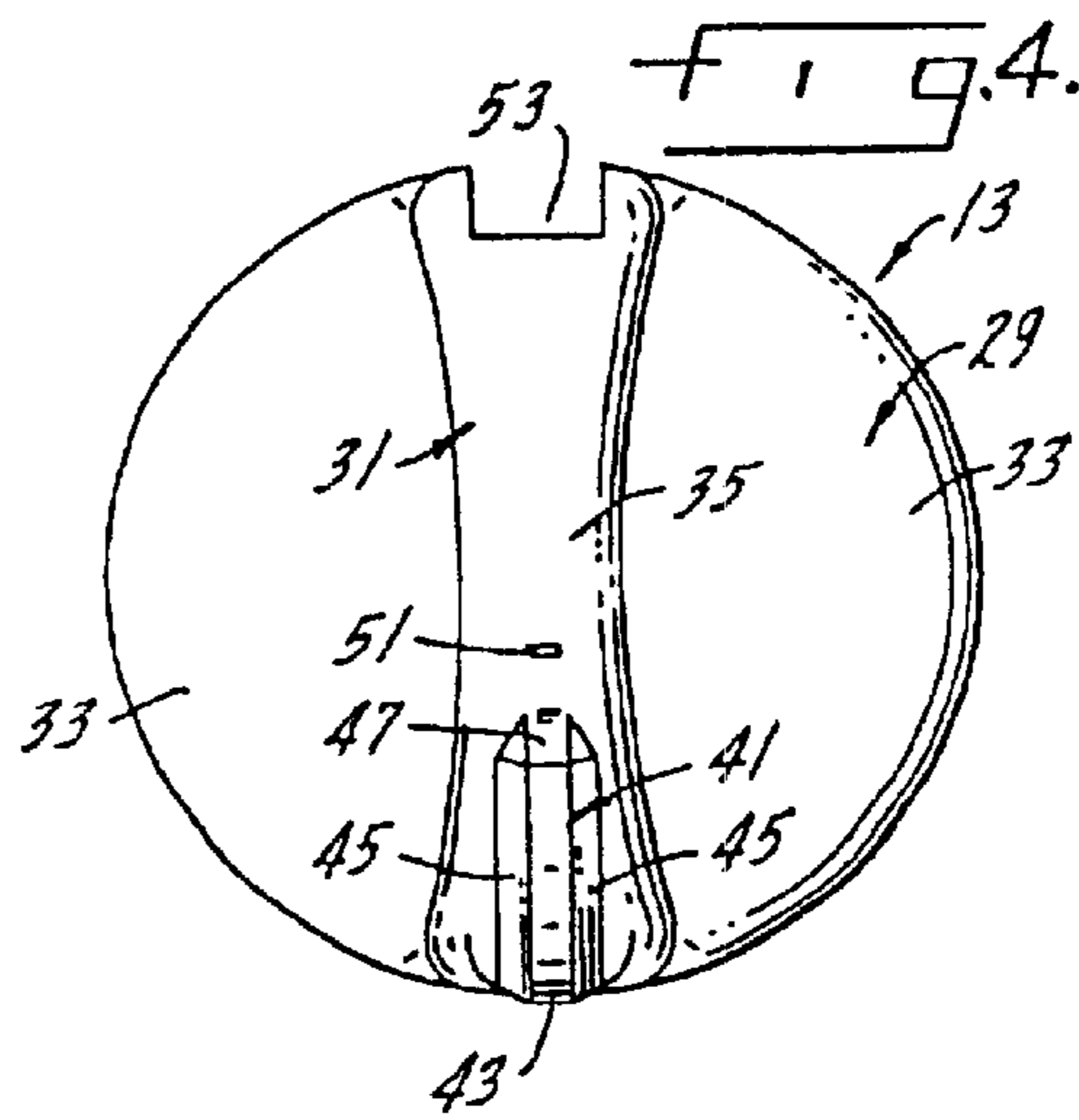
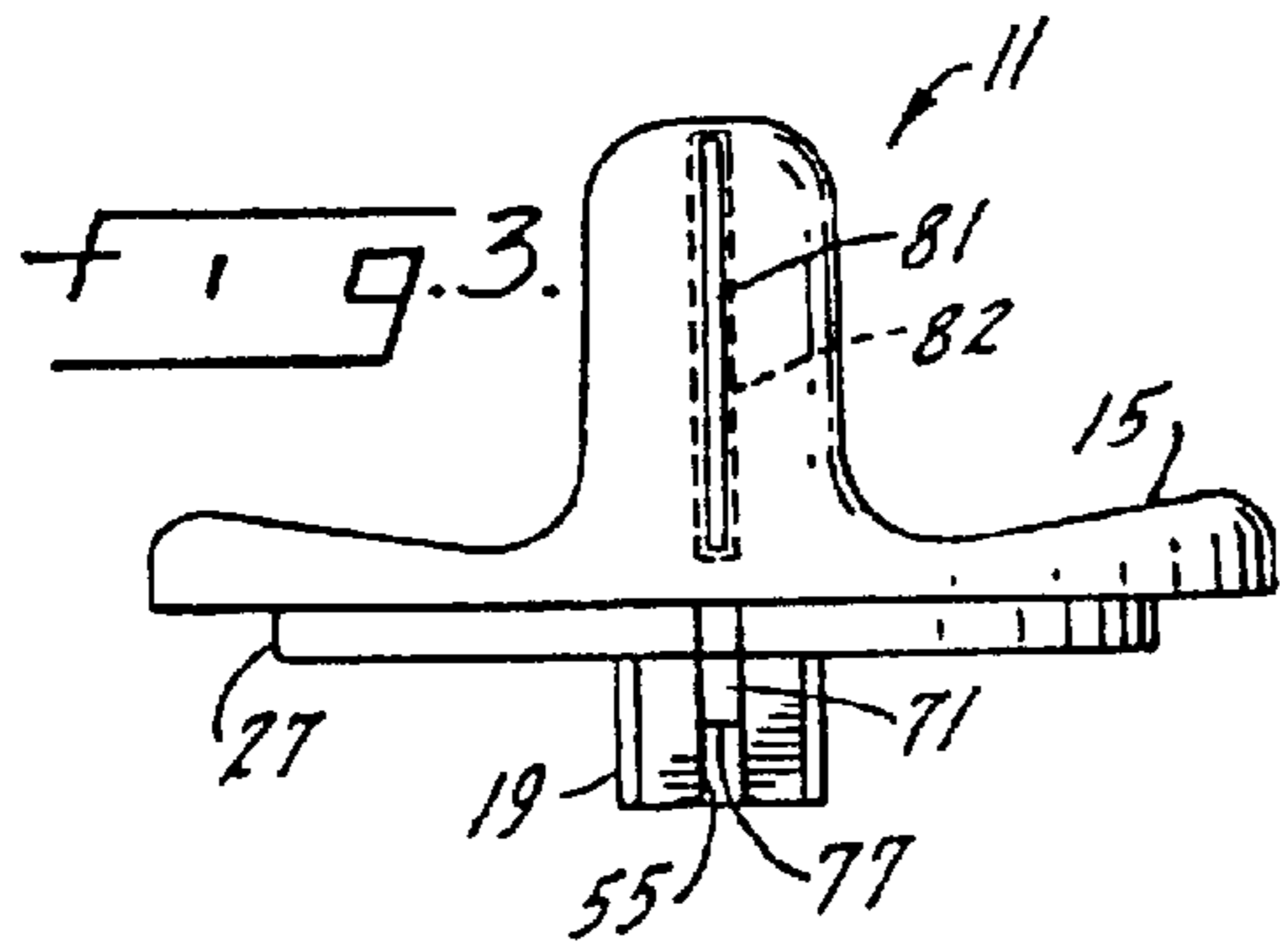
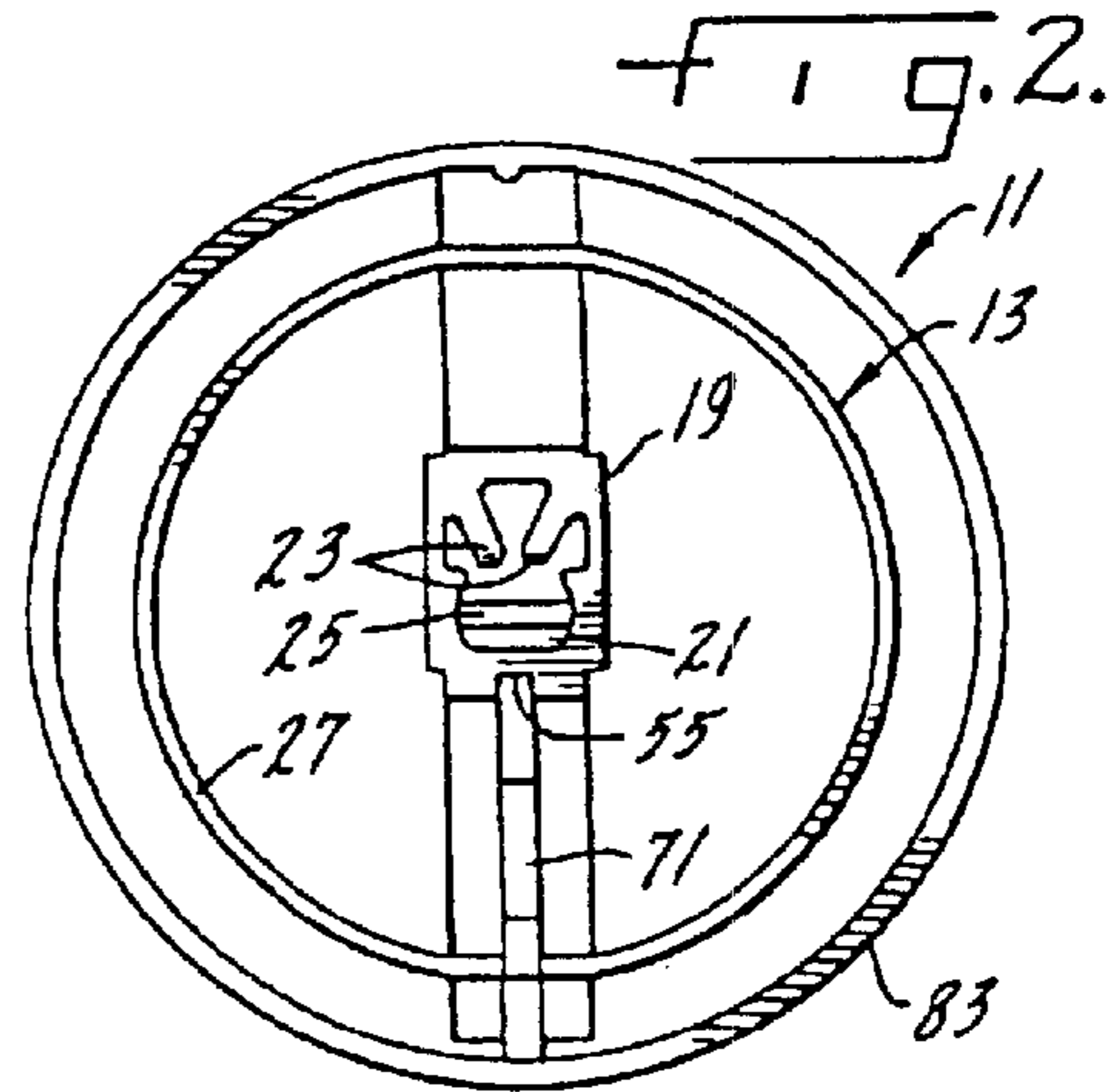
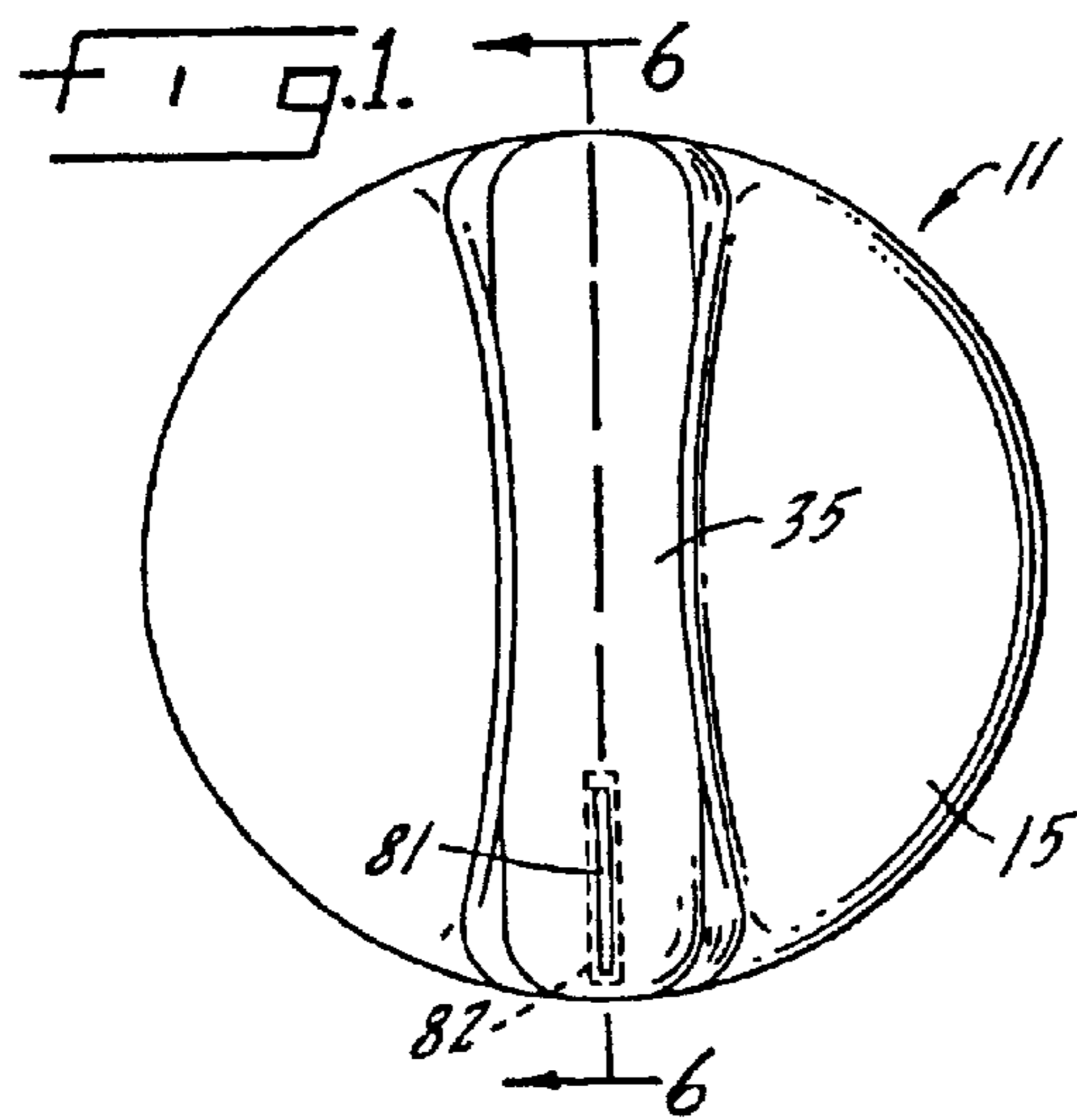
US RE37,687 E

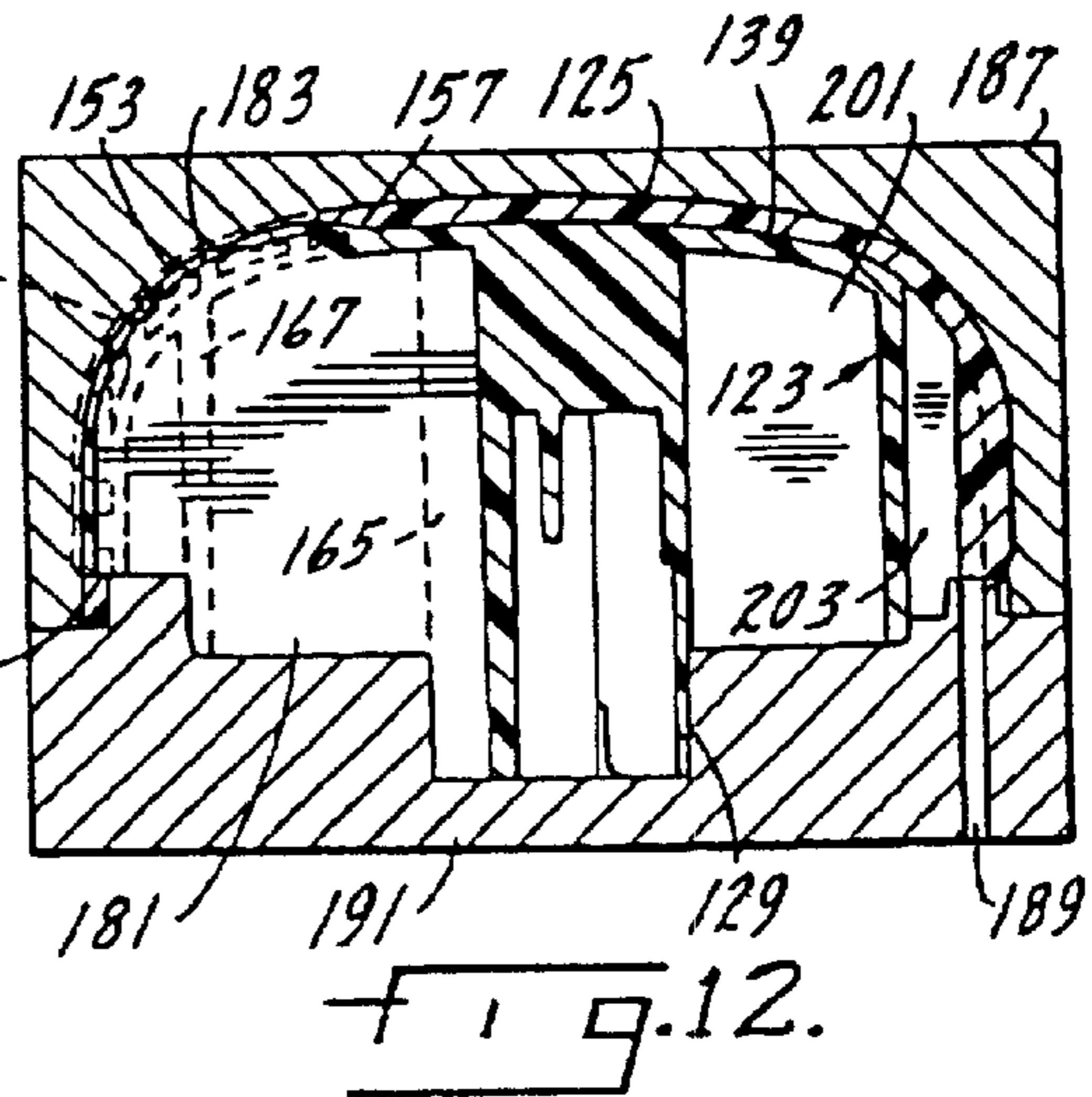
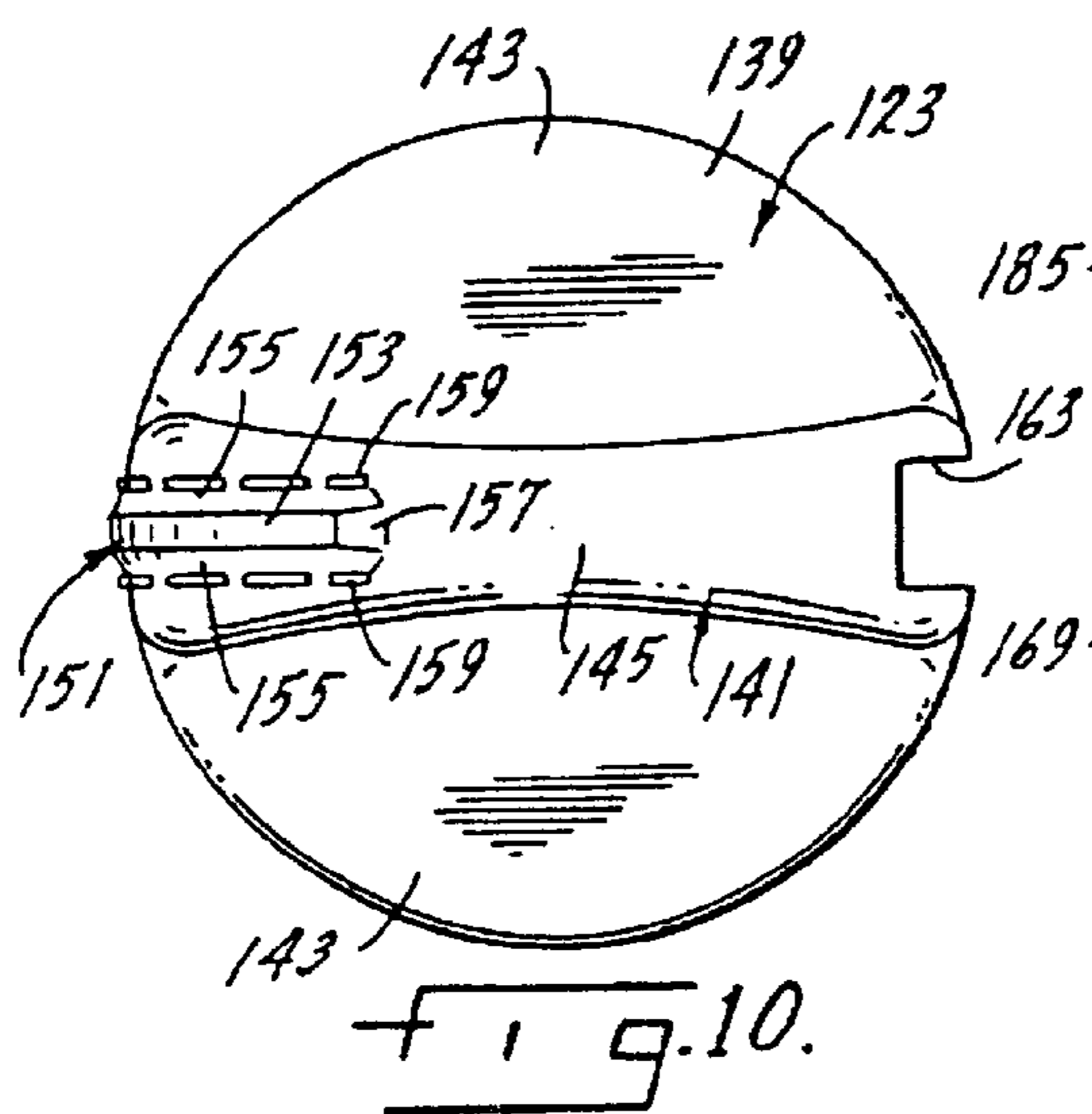
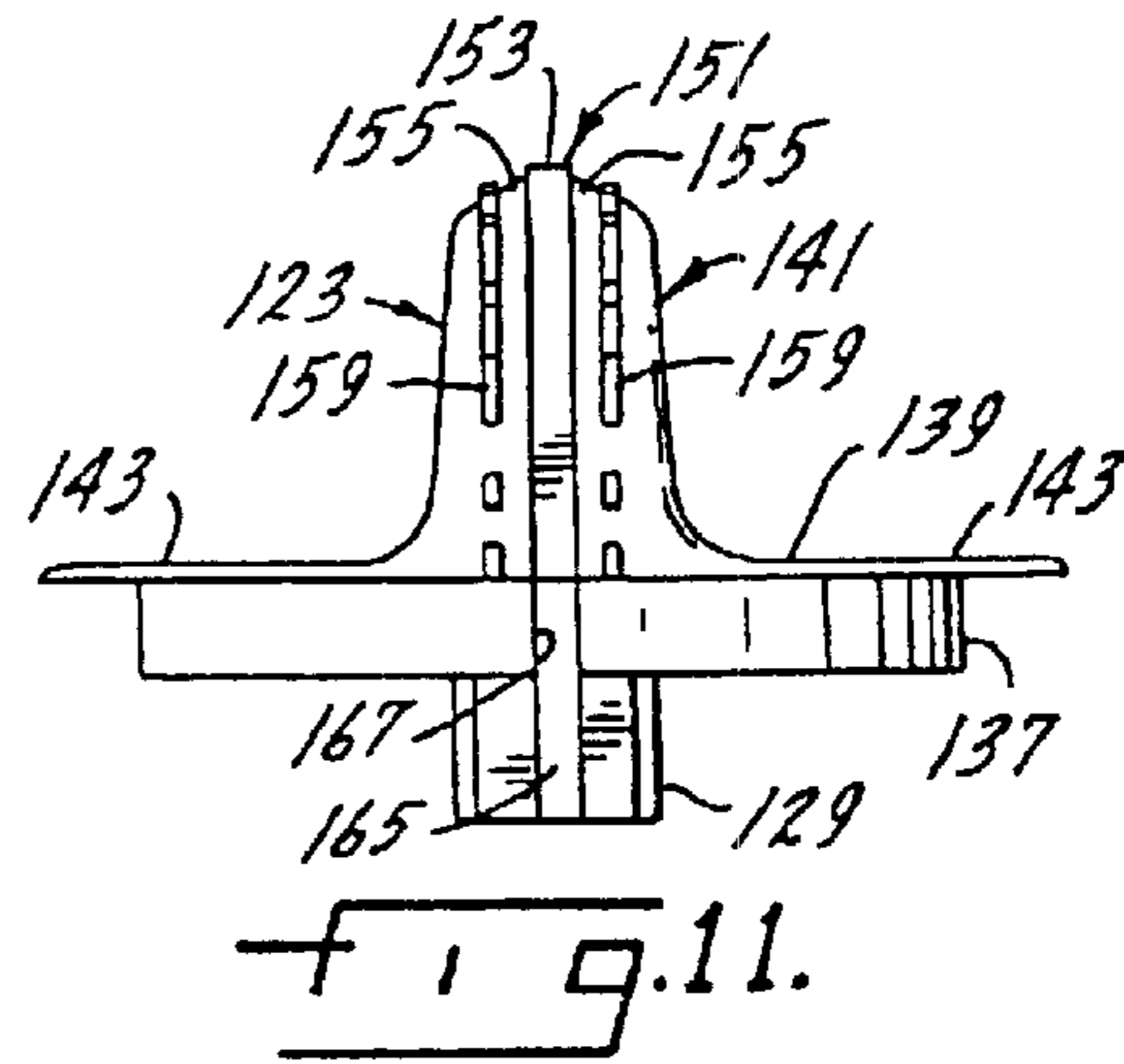
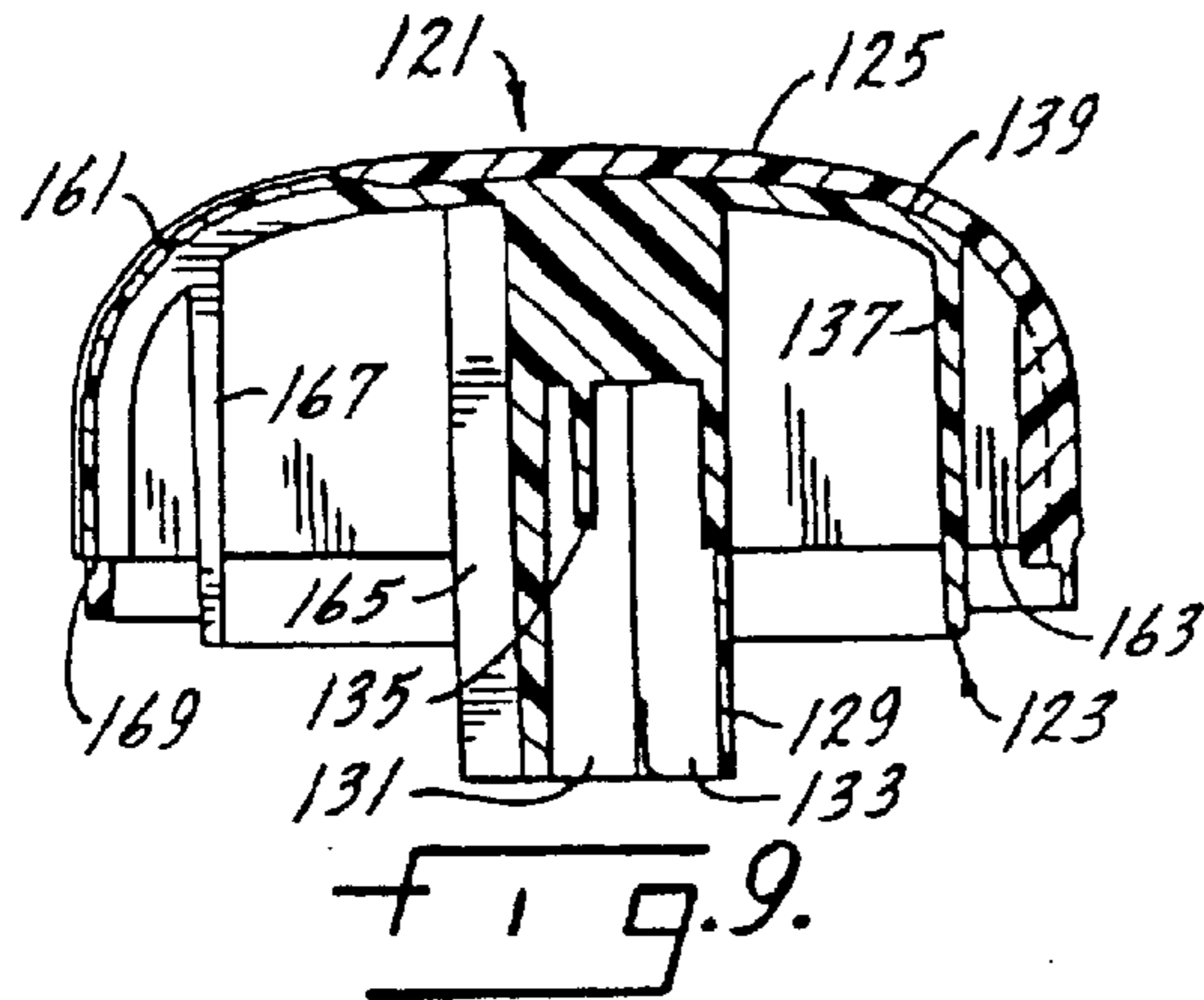
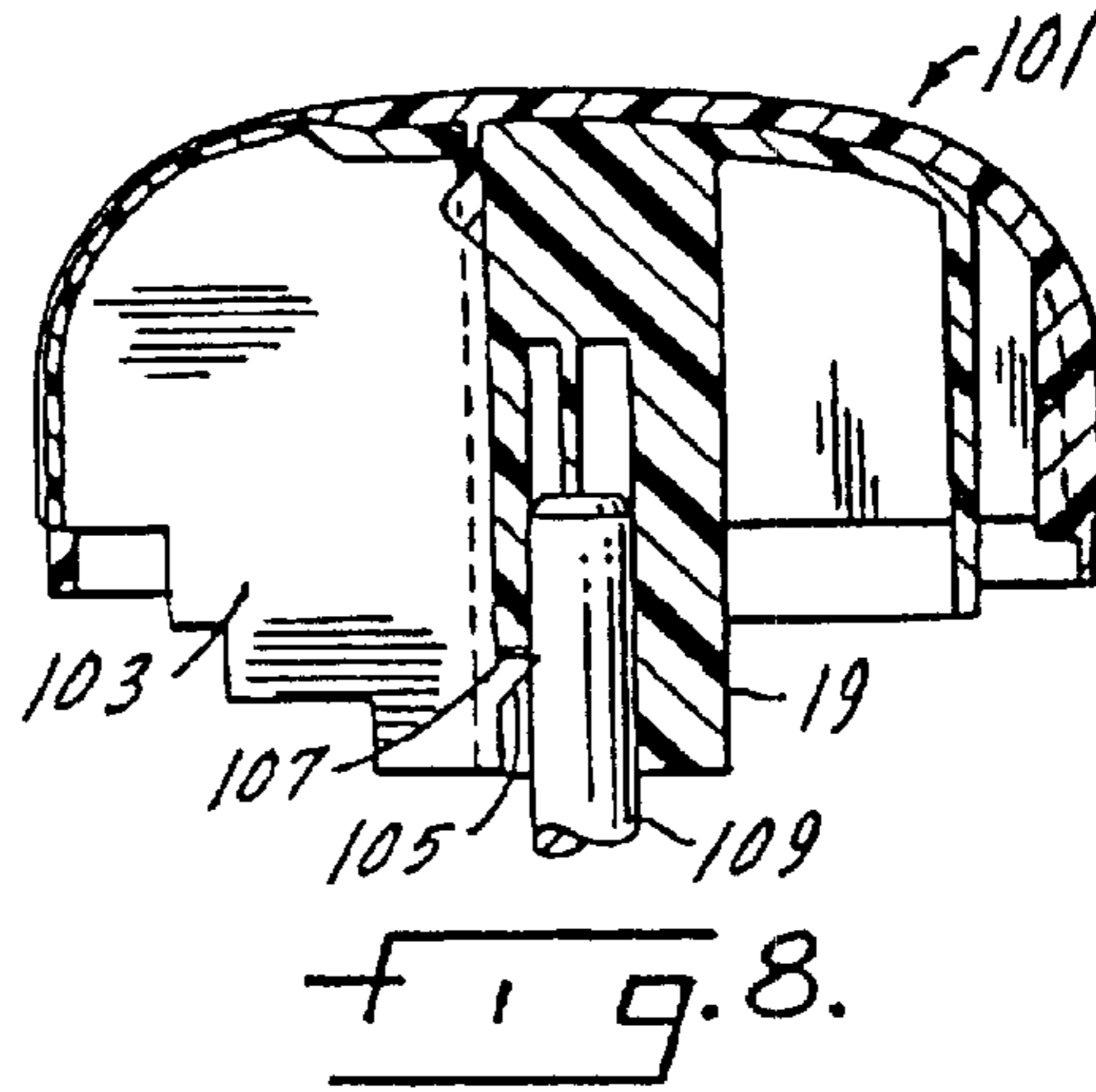
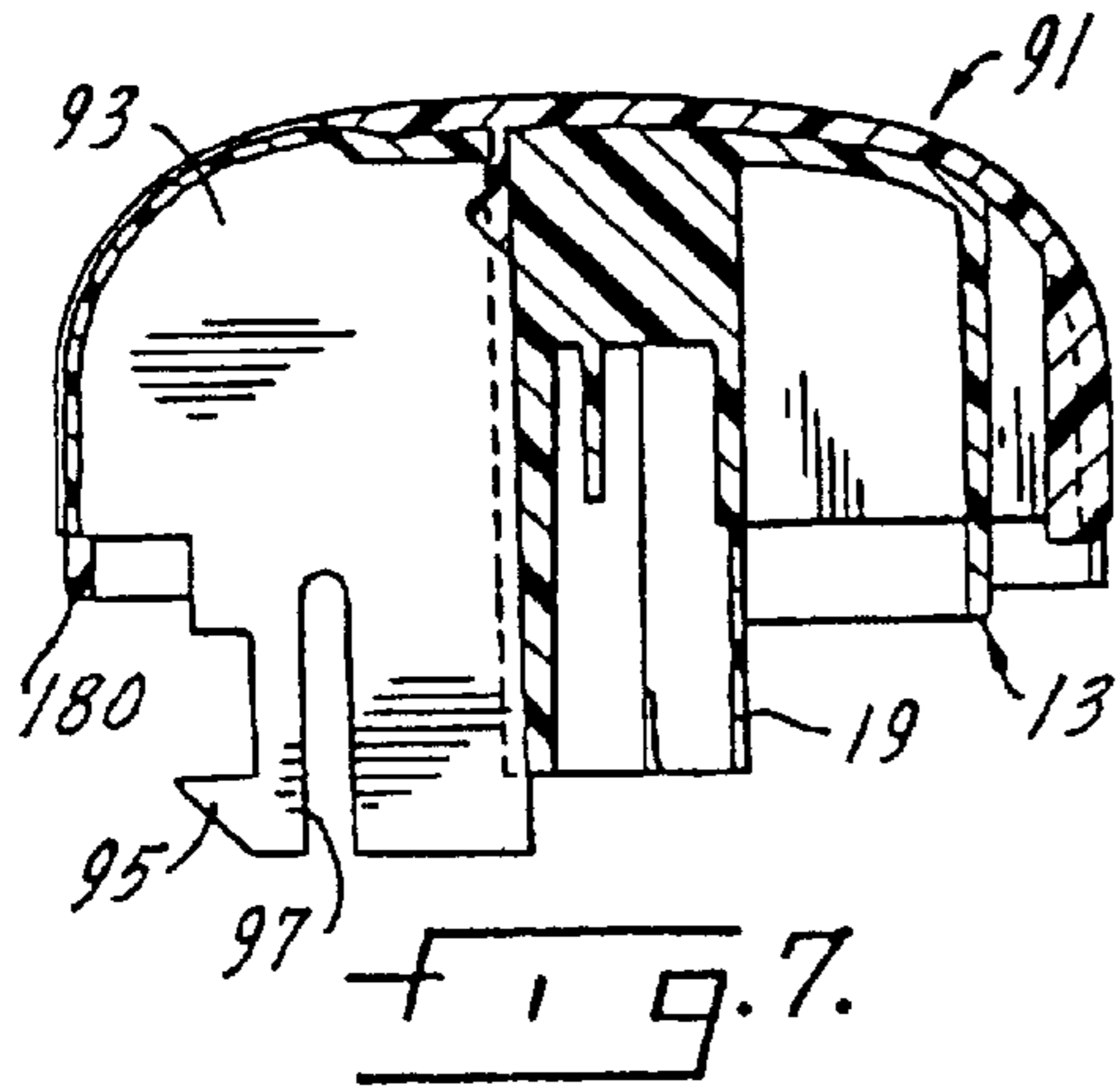
Page 2

U.S. PATENT DOCUMENTS

4,536,116 A	8/1985	Murray	16/121	5,376,314 A	12/1994	Share et al.	
4,603,065 A	7/1986	Mori et al.		5,407,721 A	4/1995	Fujigaki et al.	
4,751,038 A	6/1988	Schlueter et al.		5,450,653 A	9/1995	Howie	16/121
4,760,752 A	8/1988	Wield et al.		5,464,578 A	11/1995	Salter et al.	
4,893,392 A	1/1990	Stricker et al.		5,469,758 A	11/1995	Howie	16/DIG. 19
4,923,325 A	5/1990	Howie, Jr.		5,477,024 A	12/1995	Share et al.	
4,996,784 A	3/1991	Hsu	40/799	5,477,430 A	12/1995	LaRose	
5,050,269 A	9/1991	Engstrom et al.		5,512,718 A	4/1996	Larose	
5,093,764 A	3/1992	Hasegawa et al.		5,514,319 A	5/1996	Young	
5,095,409 A	3/1992	Dematteo et al.		5,536,543 A	7/1996	Papandreou	
5,098,633 A	3/1992	Hausler		5,636,589 A *	6/1997	Kato et al.	116/286
5,159,892 A	11/1992	Hara et al.		5,669,104 A	9/1997	Howie, Jr.	
5,197,161 A	3/1993	Howie, Jr.		5,688,461 A	11/1997	Howie, Jr.	
5,252,798 A	10/1993	Kamada		5,702,078 A	12/1997	Shaw	
5,303,612 A	4/1994	Odom et al.		5,811,175 A	9/1998	Howie, Jr.	

* cited by examiner





METHOD FOR MANUFACTURING AN INDICATOR KNOB AND A KNOB

Matter enclosed in heavy brackets [] appears in the original patent but forms no part of this reissue specification; matter printed in italics indicates the additions made by reissue.

BACKGROUND AND SUMMARY OF THE INVENTION

This invention is directed to a composite plastic article having a high clarity indicator, which may be black-lighted, and to a method of molding such a composite knob in a two shot molding process.

The composite plastic article of this invention and the method of making the composite plastic article will provide the following new and unobvious features:

- a knob having a high clarity indicator line located on one face of the knob and in which the high clarity of the indicator line is obtained in part by a sharp cutoff of the outer covering of the plastic surrounding and covering only the perimeter of an uncovered portion of the core in the shape of an indicator line;
- a sharp cutoff of the outer covering of the composite article around the uncovered portion of the core which is in the shape of an indicator line obtained in part through the use of a blocking tool;
- a composite plastic article having a high clarity indicator formed as part of a fin which projects outwardly of the core and in which the wall of the indicator is thinner than the wall of the core;
- a composite plastic article in which the outer covering is anchored to the core around the opening in the outer covering highlighting the indicator by protuberances in the core;
- a composite plastic article in which a relatively thin light transmitting window for a light pipe is positioned in the core;
- a composite plastic article in which a thin, light transmitting indicator window in the core is supported by a light pipe which functions as an anvil during the injection molding of the outer covering of the composite article;
- a composite plastic article having a permanently installed light pipe formed with a hook that may be engageable either radially inwardly or radially outwardly and may be formed to be flexible; and
- a method of making a composite plastic article in which the injection of the outer covering is directed through the tooling in a manner that prevents the core from being moved away from the mold cavity tooling.

Other objects of the invention may be found in the following specification, claims and drawings.

BRIEF DESCRIPTION OF THE DRAWINGS

The invention is illustrated more or less diagrammatically in the following drawings wherein:

FIG. 1 is a top plan view of one form of a composite knob embodying the novel aspects of the invention;

FIG. 2 is a bottom plan view of the knob of FIG. 1;

FIG. 3 is a side elevational view of the knob of FIG. 1;

FIG. 4 is a top plan view of the core of the composite knob of FIG. 1;

FIG. 5 is a bottom plan view of the core of FIG. 4;

FIG. 6 is a cross sectional view taken along line 6—6 of FIG. 1;

FIG. 7 is a cross sectional view of a modified composite knob embodying the novel aspects of the invention;

FIG. 8 is a cross sectional view of another modified composite knob embodying the novel aspects of this invention;

FIG. 9 is a cross sectional view of still another modified composite knob embodying the novel aspects of this invention;

FIG. 10 is a top view of the core of the composite knob of FIG. 9;

FIG. 11 is a side elevational view of the core of FIG. 10; and

FIG. 12 is a cross sectional view of mold tooling showing a method of manufacturing the composite knobs of this invention.

DESCRIPTION OF THE PREFERRED EMBODIMENTS

A plastic article in the form of a composite knob 11 embodying the novel features of one aspect of this invention is shown in FIGS. 1 to 6 of the drawings. It includes a core 13 and an outer covering 15. The core is conventionally molded of a white plastic such as an acetal which is translucent, at least in thin layers, while the outer covering, in order to provide contrast with the color of the core, is molded of a black nylon which is opaque in the thicknesses used. Other types and colors of plastic may be used in order to obtain a desirable contrast between the core 13 and the outer covering 15 of the composite knob 11 for reasons which will hereinafter be explained.

As is conventional, the core 13 includes a hub 19 having a socket 21. Gripping fingers 23 are formed in the socket. A shaft stop 25 is formed in the socket near the bottom thereof. An inner skirt 27 is formed as part of the core and extends rearwardly from the front wall 29 of the core. A hollow handle or blade portion 31 is formed integrally with the front wall of the core and extends diametrically across the front wall. The blade 31 divides the front wall of the core into oppositely located disk portions 33. The blade portion is topped with a crest portion 35.

A fin 41 is formed in the crest portion 35 of the blade 31. The fin includes a curved rectangular web 43 which is supported by inclined side walls 45 and an inclined end wall 47 as is most clearly shown in FIG. 4. The curved web 43 is referred to as a window because in knobs that are to be back-lighted, the core 13 is formed of a plastic that is translucent, at least in thin layers, and the web is formed having a thickness less than that of the front wall 29 of the core and sufficiently thin to allow the passage of sufficient light to be translucent. A small rectangular passage 51 is formed in the crest portion 35 of the blade at a position radially inwardly from the arcuate rectangular window 43. When the opaque plastic of the outer covering hardens around the perimeter of the window 43, the window will function as an indicator 81. In situations wherein the knob is not to be backlighted, it is not necessary that the core 13 be molded of a translucent material. Further, the web 43 need not be thinner than the wall 29 of the core when it is not transmitting light.

An outwardly opening channel 53 is formed in the crest portion 35 of the blade 31 on the opposite diametric side of the blade relative to the web 43. This channel extends through the disk portions 33 of the front wall 29 of the core. A slot 55 is formed in the hub, an aligned slot 57 is formed in the inner skirt and another aligned slot 59 is formed in the

crest portion **35** of the blade to receive an anvil. An anvil **71** formed of a flat, irregularly shaped piece of plastic such as polycarbonate fits in the slots **55**, **57** and **59** to position an arcuate edge **73** of the anvil against the underside of the window **43** of the fin **41** in the manner shown in FIG. **6**. A notch **75** is formed in the anvil radially inwardly of its arcuate edge **73**. The axially inwardly located edge **77** of the anvil may be stepped for clearance purposes.

The anvil **71** is positioned in its slots **55**, **57** and **59** with its arcuate portion **73** engaging the underside of the window **43** of the fin **41** to support the window during injection molding of the outer covering **15** in a second shot of a molding process. It should be understood and appreciated that the term "two shot" molding process as used in this specification refers to any suitable multi-step molding process whether the steps of the process are performed separately or sequentially. Preferably, the material of the outer covering **15** is injected into a mold, in which the core **13** has been positioned, through the channel **53** formed in the core **13**. During this step of the molding process, tooling of the type shown in FIG. **12** will be engaging the outer surface of the window **43** to prevent the plastic material which forms the outer covering of the knob from flowing over and concealing the window which forms the backlighted indicator **81**. The tooling has an end surface which is the same shape, but slightly smaller than the window **43**. This smaller "footprint" of the tooling provides a border **82** of the material of the outer covering **15** which flows over the edges of the window **43** to tightly encapsulate the window **43** while still sharply delineating the indicator **81**. As the material of the outer covering **15** flows through the channel **53** to the outer face of the front wall **29** and blade portion **31** of the core **13**, a small amount of the material of the outer covering will flow through the passage **51** and into the notch **75** of the anvil **71** as shown in FIG. **6** of the drawings to permanently lock the anvil in position. The plastic material which forms the outer covering **15** of the knob will also form a peripheral skirt **83** on the outer covering.

The relatively thin nature of the window portion **43** of the fin **41** will readily transmit light from the anvil **71** to illuminate the backlighted indicator **81**. Thus, the anvil not only supports the window portion **43** of the fin **41** during the second shot of the molding process but also because of the light transmitting characteristics of the plastic of which it is made functions as a light pipe for illumination of the window **43** of the indicator **81**.

A modified embodiment of the invention is shown in FIG. **7** of the drawings. The knob **91** is similar to knob **11** of the previous embodiment in all features except as to those which are hereinafter pointed out as modified. In this modified embodiment, the anvil **71** is replaced by an anvil **93** which is also formed of a light transmitting plastic such as a polycarbonate. The anvil **93** is formed with a radially outwardly engaging hook **95**. The hook is made more flexible by the provision of a longitudinally extending notch **97** located radially inwardly of the hook. The hook may engage a secondary plate or a bezel to secure the knob relative to a shaft. It should be noted that the anvil extends longitudinally beyond the hub **19** of the core **13** to enable its hook to engage a suitable restraining element.

Another modified embodiment of the invention is shown in FIG. **8** of the drawings. The knob **101** shown in this embodiment is similar in all pertinent aspects to knob **11** of the first described embodiment except as to those aspects which are hereinafter specifically referred to as modified. In knob **101**, an anvil **103** is also formed of a light transmitting plastic such as a polycarbonate. The anvil **103** is formed with

a radially inwardly engageable hook **105** which extends through a notch **107** in the hub **19** of the core where it will contact the shaft **109**. The hook will embed itself in the shaft if the shaft is made of a softer material than that of the anvil. If the shaft is made of a material which is harder than that of the anvil, such as a metal, then a groove or slot must be formed in the shaft to receive the hook **105**, but this groove or slot is not shown in the drawings.

Still another embodiment of the invention is shown in the drawings of FIGS. **9**, **10**, **11** and **12**. Therein, a composite plastic article in the form of a knob **121** includes a core **123** and an outer covering **125**. The core is conventionally molded of a white plastic in order to provide contrast with the outer covering which is molded of a black plastic in the second step of a two shot molding process which is shown in FIG. **12**. Other combinations of types and colors of plastic may be used in order to obtain a desirable contrast between the core **123** and the outer covering **125** of the composite knob **121** for reasons which will hereinafter be explained.

The core **123** includes a hub **129** having a socket **131**. The socket may have gripping fingers **133**. A shaft stop **135** is formed in the socket near the bottom thereof. An inner skirt **137** is formed as part of the core and extends rearwardly from the front wall **139** of the core. A hollow handle or blade portion **141** is formed integrally with the front wall of the core and extends diametrically across the front wall. The blade **141** divides the front wall of the core into oppositely located disk portions **143**. The blade portion is topped with a crest portion **145**.

A fin **151** is formed in the crest portion **145** of the blade **141**. The fin includes a curved rectangular web **153** which is supported by inclined side walls **155** and an inclined end wall **157** as is most clearly shown in FIGS. **10** and **11** of the drawings. A row of protuberances **159** are formed in the front wall **139** of the core in the blade portion **141** on opposite sides of the fin **151**. The protuberances extend substantially the entire length of the web **153**. When the color contrasting plastic of the outer covering **125** hardens around the perimeter of the web **153**, the protuberances help to anchor the outer covering of plastic to the core and prevent the outer covering from pulling away from the perimeter of the web thus helping to form a high clarity indicator **161**.

An outwardly opening channel **163** is formed in the crest portion **145** of the blade **141** on the opposite diametric side of the blade relative to the web **153**. This channel extends through the disk portions **143** of the front wall **139** of the hub **129** and connects to the gate which supplies the plastic for the outer covering **125**. A slot **165** is formed in the hub **129**, an aligned slot **167** is formed in the inner skirt **137** and another aligned slot **169** is formed in the crest portion **145** to receive an anvil which supports the web **153** during the second shot injection of the outer covering **125**. In this embodiment of the invention, the anvil **181** is formed as part of the tooling which is inserted into the slots **165**, **167** and **169** in the core **123** as shown in FIG. **12** of the drawings. The anvil has an arcuate edge **183** which engages and supports the underside of the web **153** and is withdrawn after hardening of the outer covering **125**. A separate anvil, such as the anvil **71**, may now be inserted into the slots **165**, **167** and **169** of the core **123** and secured by flowing the material of the outer covering **125** under an edge of the anvil as shown at **180** in FIG. **7** to enable the anvil to function as a light pipe.

Also during the injection of the plastic of the outer covering **125**, a blocking tool **185** formed as part of the mold cavity tooling **187** engages the outer surface of the web **153**

5

to prevent the plastic material which forms the outer covering **125** of the knob from flowing over and concealing the web **153**. The blocking tool **185** has an end surface which is the same shape, but slightly smaller than the web **153**. This smaller "footprint" of the tooling provides a border, similar to border **82** previously described, of the material of the outer covering **125** which flows over the edges of the web **153** to tightly seal the web **153** while still sharply delineating the indicator **161**. After hardening of the outer covering, the removal of the blocking tool **185** leaves an opening through which the web **153** is visible to function as a high clarity indicator **161**.

The molten plastic forming the outer covering **125** of the composite knob **121** is injected into the mold tooling through a sprue **189** formed in the mold core **191**. The sprue aligns with the channel **163** of the core **123** to carry the molten plastic to the outer face of the front wall **139** of the core. The anvil **181** may be formed integrally with the mold core **191** or may be formed separately and attached to the mold core **191**.

In another aspect of the this invention, the anvil **181** is formed with additional segments **201** and **203** which may be formed integrally with the mold core **191** or may be formed separately and attached to the mold core **191**. These anvil segments support the core **123** to prevent it from being moved away from the mold cavity tooling **187** when molten plastic which forms the outer covering **125** is injected through the sprue **189** into the mold tooling. Specifically, the anvil segment **203** assists in directing the molten plastic of the outer covering to the mold cavity adjacent the outer face of the front wall **139** of the core.

I claim:

1. A composite knob including:

a plastic core having a front wall of generally uniform thickness,

a translucent window portion formed integrally with said core and having a thickness less than said generally uniform thickness of said front wall, and

a light transmitting plastic anvil positioned in said core in engagement with said window portion.

[2. A composite knob, including:

A plastic core,

said core having a front wall of generally uniform thickness,

an integral window portion formed in said front wall,

said integral window portion having a thickness no greater than said uniform thickness of said front wall, and

an outer covering of plastic overlying said front wall of said core except for at least a substantial center area of said window portion.]

3. The composite knob of claim **[2]** in which said integral window portion is located in a projected relation to said front wall.

4. The composite knob of claim **3** in which said integral window portion projects outwardly of said front wall.

[5. The composite knob of claim **2** in which a plastic anvil is positioned in said core in engagement with said window portion.]

[6. The composite article of claim **5** in which said window portion is translucent.]

[7. The composite knob of claim **6** in which said anvil is formed of a light transmitting plastic.]

6

8. A composite knob, including:

a plastic core,

said core having a front wall of generally uniform thickness,

an integral window portion formed in said front wall,

an outer covering of plastic overlying said front wall of said core except for at least a substantial center area of said window portion thereof, and

protrusions formed in said front wall of said core adjacent said window portion to anchor said outer covering of plastic to said core and to prevent said outer covering from moving away from said window portion.

9. The composite knob of claim **8** in which said window portion is thinner than said front wall.

10. The composite knob of claim **9** in which a plastic anvil is positioned in said core in supporting engagement with said window portion.

11. The composite knob of claim **10** in which said core is formed of a translucent plastic.

12. The composite knob of claim **11** in which said anvil is formed of a light transmitting plastic.

13. The composite knob of claim **11** in which said outer covering is formed of an opaque plastic.

14. The composite knob of claim **10** including a longitudinally extending hub formed as part of said core and slots formed in said hub and said front wall to receive and position said anvil.

15. The composite knob of claim **10** in which said outer covering of plastic extends through said front wall of said core and interlocks said core and said anvil.

16. The composite knob of claim **10** in which a blade is formed as a portion of said front wall, said window portion is formed as a part of said blade and said anvil is positioned in said blade.

17. The composite knob of claim **10** in which said anvil is formed of a planar material.

18. The composite knob of claim **10** in which a radially engaging hook is formed on said plastic anvil.

19. The composite knob of claim **18** in which said hook is radially outwardly engaging.

20. The composite knob of claim **18** in which said hook is radially inwardly engaging.

21. The composite knob of claim **18** in which said hook is resilient.

22. The composite knob of claim 1 in which said core is formed of a translucent plastic.

23. The composite knob of claim 1 including a longitudinally extending hub formed as part of said core and slots formed in said hub and said front wall to receive and position said anvil.

24. The composite knob of claim 1 in which a blade is formed as a portion of said front wall, said window portion is formed as a part of said blade and said anvil is positioned in said blade.

25. The composite knob of claim 1 in which said anvil is formed of a planar material.

26. The composite knob of claim 1 in which a radially engaging hook is formed on said plastic anvil.

27. The composite knob of claim 26 in which said hook is radially outwardly engaging.

7

28. *The composite knob of claim 26 in which said hook is radially inwardly engaging.*

29. *The composite knob of claim 26 in which said hook is resilient.*

30. *A composite knob including:*

a plastic core,

said core having a front wall of generally uniform thickness,

an integral translucent window portion formed in said front wall,

8

said integral window portion having a thickness no greater than said uniform thickness of said front wall, a light transmitting plastic anvil positioned in said core in engagement with said window portion, and

an outer covering of plastic overlying said front wall of said core except for at least a substantial center area of said window portion.

* * * * *