



US00RE37517E

(19) **United States**  
(12) **Reissued Patent**  
**Khovaylo**

(10) **Patent Number:** **US RE37,517 E**  
(45) **Date of Reissued Patent:** **Jan. 22, 2002**

(54) **PORTION OF AN OPTICAL SCANNER**

*Primary Examiner*—Freda Nunn

(75) Inventor: **Modest Khovaylo**, Fort Collins, CO  
(US)

(57) **CLAIM**

The ornamental design for *a portion of* an optical scanner, as shown and described.

(73) Assignee: **Hewlett-Packard Company**, Palo Alto, CA (US)

**DESCRIPTION**

(21) Appl. No.: **29/039,810**

(22) Filed: **May 31, 1995**

*This application and application Ser. No. 29/051,765 are both copending reissue applications of the same original patent Des. 336,078 issued June 1, 1993.*

**Related U.S. Patent Documents**

Reissue of:

(64) Patent No.: **Des. 336,078**  
Issued: **Jun. 1, 1993**  
Appl. No.: **07/697,478**  
Filed: **May 8, 1991**

FIG. 1 is a right side perspective view of *a portion of* an optical scanner showing my new design; *and*,

FIG. 2 is a top plan view thereof[.];

- (51) **LOC (6) Cl.** ..... **14-02**
- (52) **U.S. Cl.** ..... **D14/441**
- (58) **Field of Search** ..... D14/100, 105,  
D14/107, 109; D18/36, 40; 250/203.1, 566,  
568; 235/454, 470; 382/58, 62, 63, 65;  
355/235

[FIG. 3 is a right side elevational view thereof, the left side elevational view being a mirror image;]

[FIG. 4 is a front elevational view thereof;]

[FIG. 5 is a rear elevational view thereof; *and*,]

[FIG. 6 is a bottom plan view thereof.]

[FIGS. 2–6 are drawn on an enlarged scale.]

(56) **References Cited**

**U.S. PATENT DOCUMENTS**

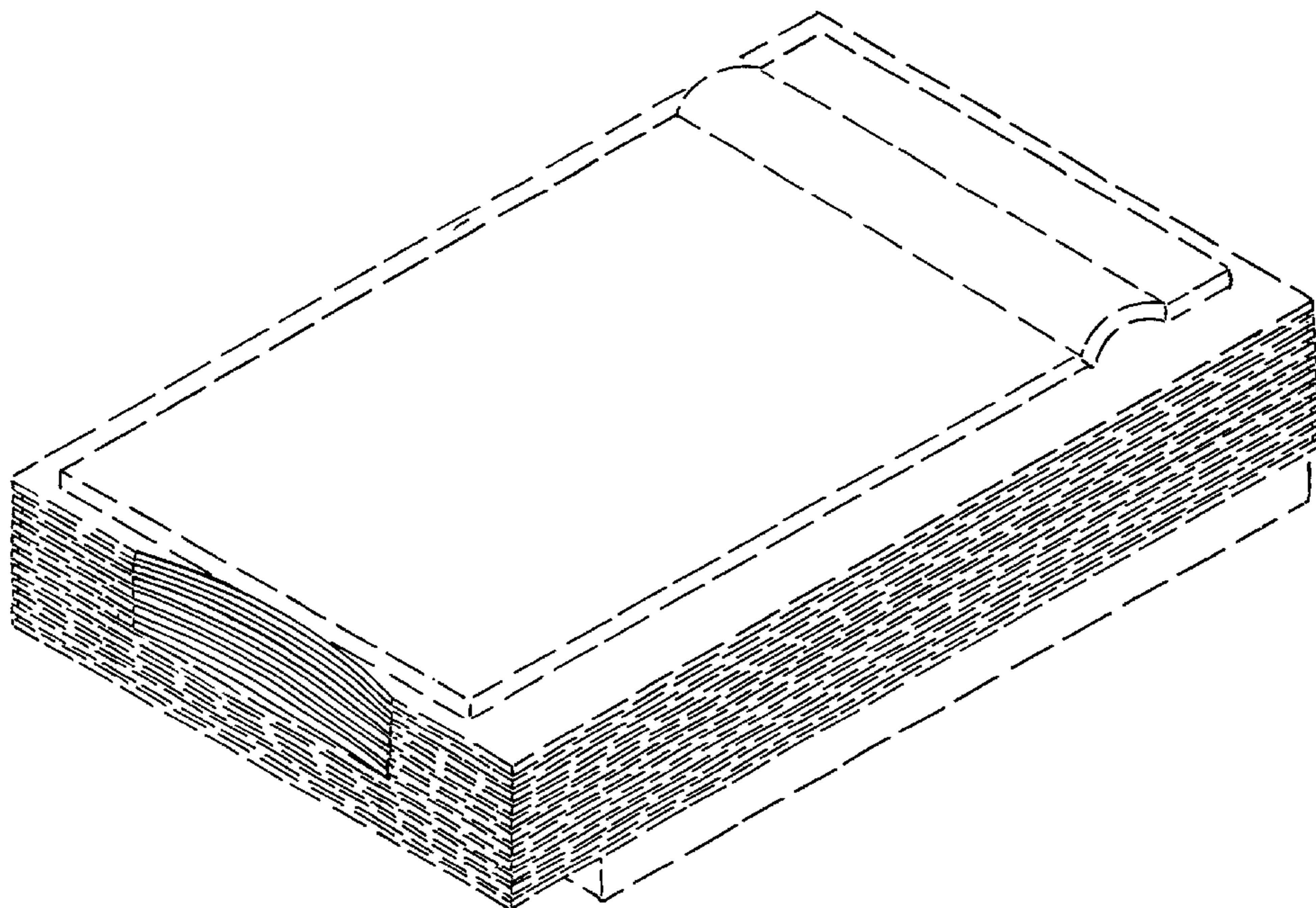
- 4,623,937 A \* 11/1986 Watanabe ..... 355/235 X
- D295,412 S \* 4/1988 Izaki ..... D14/107
- D295,520 S \* 5/1988 Ooie ..... D14/107
- D303,660 S \* 9/1989 Yamagiwa et al. .... D14/107
- D318,654 S \* 7/1991 Huang ..... D14/107
- D328,290 S \* 7/1992 Tanaka ..... D14/107
- D351,378 S \* 10/1994 Nakazawa et al. .... D14/107

*The scanner housing is shown in broken lines in the figures for illustrative purposes only and forms no part of the claimed design.*

**1 Claim, 1 Drawing Sheet**

\* cited by examiner

**Matter enclosed in heavy brackets [ ] appears in the original patent, but forms no part of this reissue; matter printed in italics indicates the additions made by reissue.**



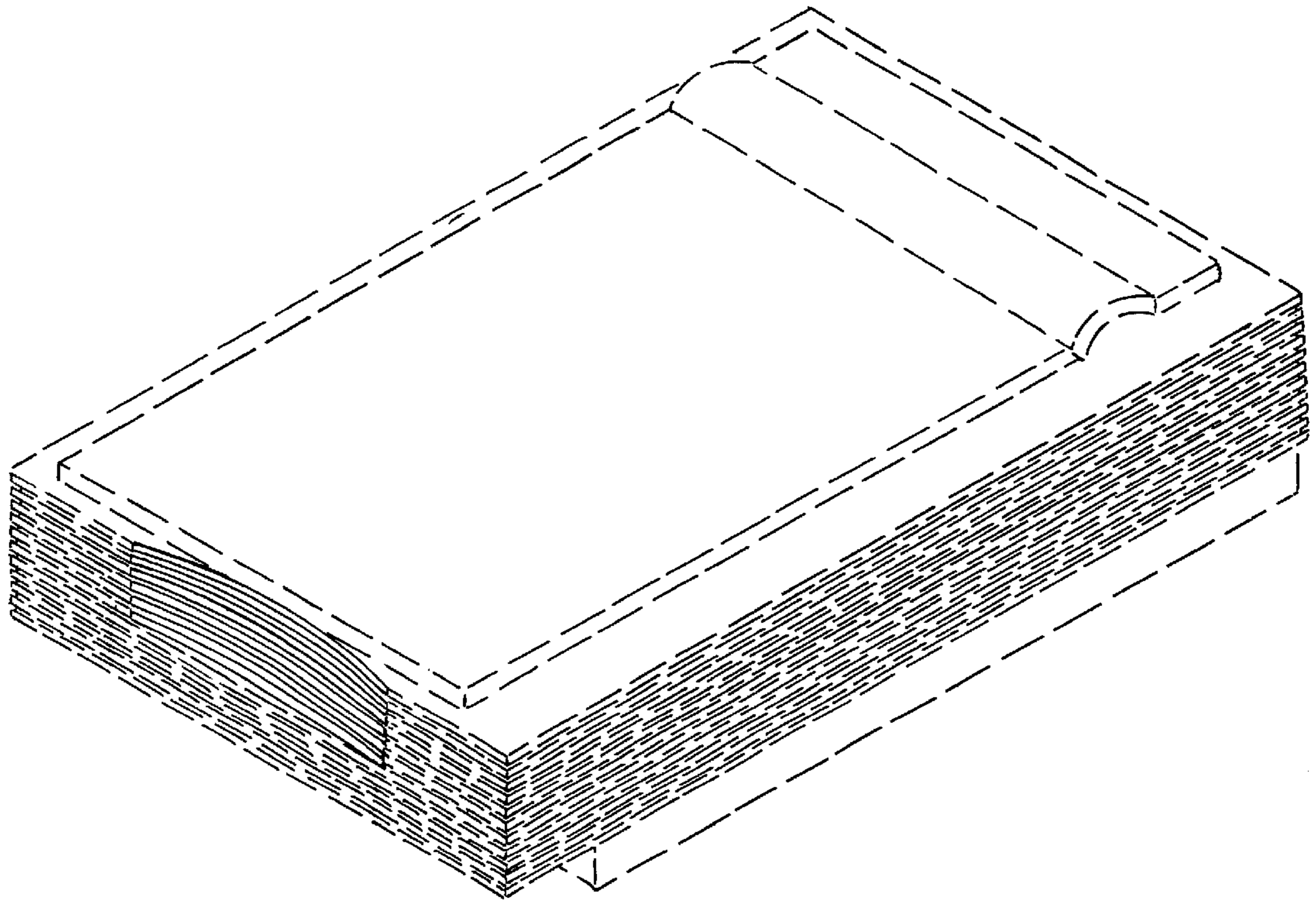


FIG.1 (NEW)



FIG.2 (NEW)