



US00RE37482B1

(19) **United States**  
(12) **Reissued Patent**  
**Guay et al.**

(10) **Patent Number:** **US RE37,482 E**  
(45) **Date of Reissued Patent:** **Dec. 25, 2001**

(54) **PORTABLE POWER SUPPLY**  
(75) Inventors: **Etienne Guay**, Oxford; **André Côté**,  
Montreal, both of (CA)  
(73) Assignee: **Century Mfg, Co.**, St. Paul, MN (US)  
(21) Appl. No.: **29/095,253**  
(22) Filed: **Oct. 20, 1998**

5,589,292 \* 12/1996 Rozon ..... 429/187 X  
5,793,185 \* 8/1998 Prelec et al. .... 320/104  
5,955,866 \* 9/1999 Peng ..... 320/105  
5,982,138 \* 11/1999 Krieger ..... 320/105  
6,002,235 \* 12/1999 Clore ..... 320/105

\* cited by examiner

*Primary Examiner*—Joel Sincavage

(74) *Attorney, Agent, or Firm*—Merchant & Gould P.C.

(57) **CLAIM**

**Related U.S. Patent Documents**

Reissue of:

(64) Patent No.: **Des. 374,859**  
Issued: **Oct. 22, 1996**  
Appl. No.: **29/018,788**  
Filed: **Feb. 15, 1994**

(51) **LOC (6) Cl.** ..... **13- 02**  
(52) **U.S. Cl.** ..... **D13/110**  
(58) **Field of Search** ..... D13/103, 106,  
D13/110; 307/64–66, 150; 429/96–100,  
121, 163, 176, 185, 187; 320/104, 105

(56) **References Cited**

**U.S. PATENT DOCUMENTS**

D. 235,454 6/1975 Lindow, Jr. .  
D. 316,397 4/1991 Herbert .  
D. 334,560 4/1993 Wilson .  
D. 408,782 \* 4/1999 Poon ..... D13/106  
D. 413,098 \* 8/1999 Dayan ..... D13/110  
2,610,987 9/1952 Betz .  
2,718,540 9/1955 Betz .  
5,214,368 5/1993 Wells .

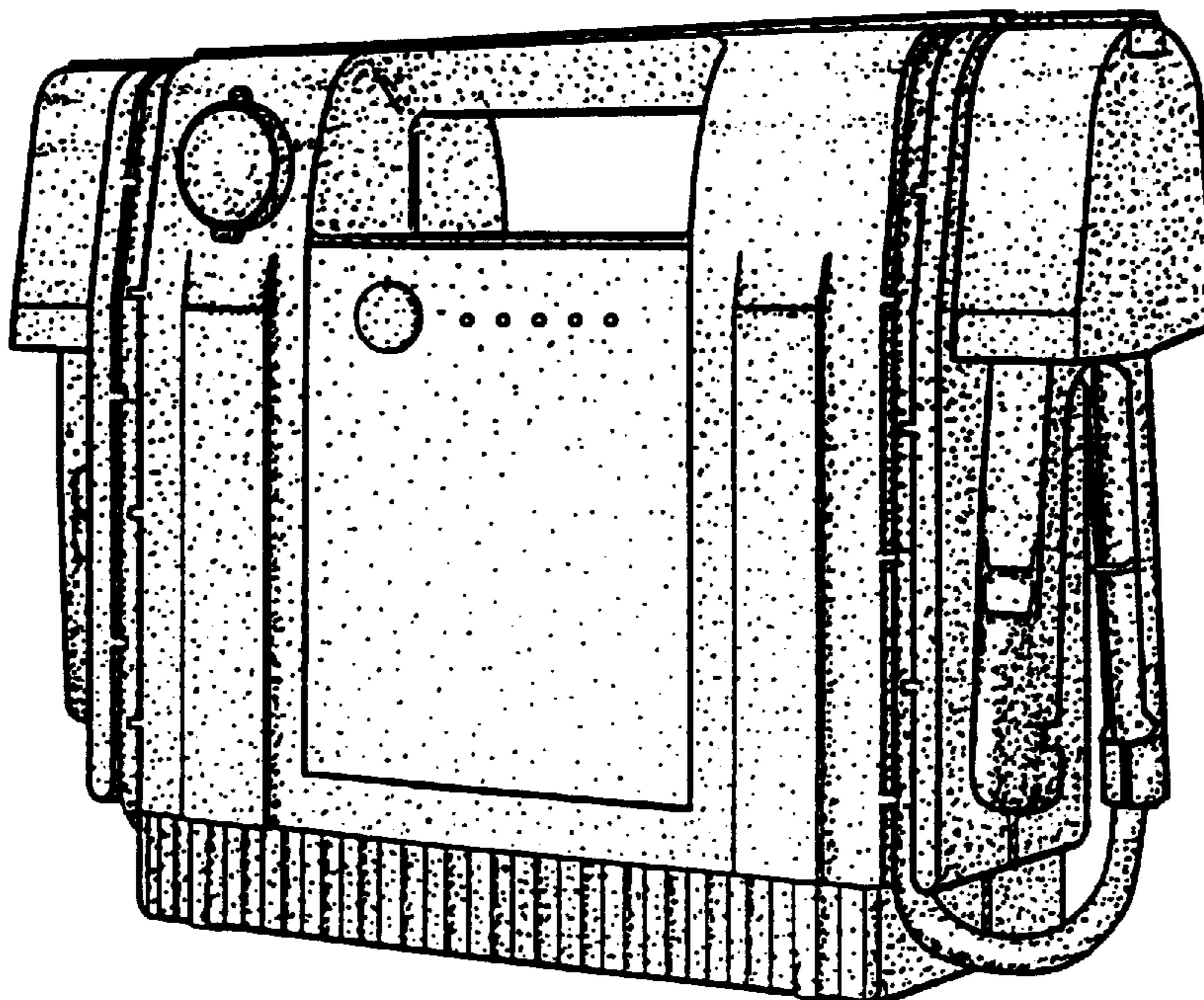
The ornamental design for a portable power supply, as shown and described.

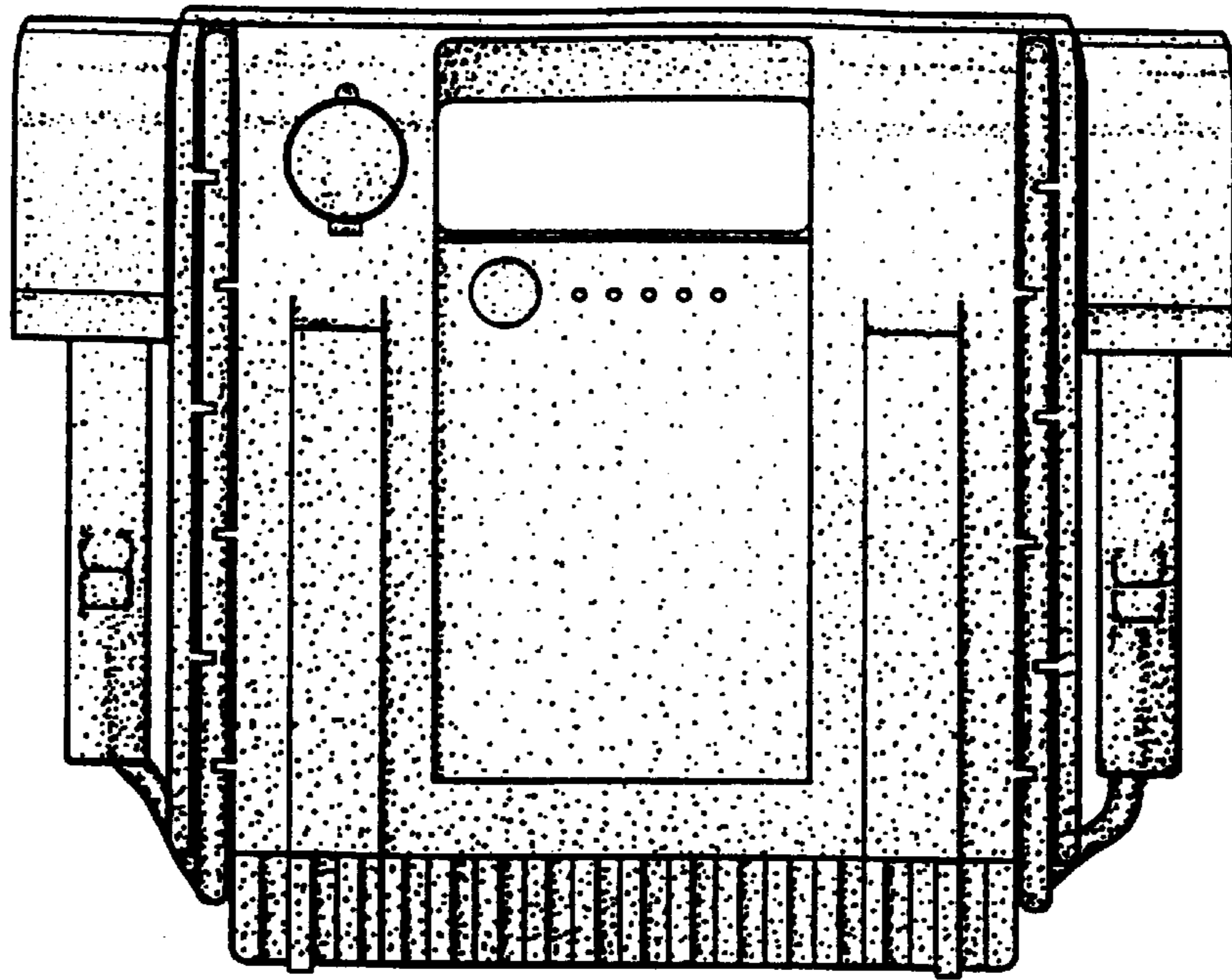
**DESCRIPTION**

FIG. 1 is a front view of a portable power supply showing my new design;  
FIG. 2 is a front and right side perspective view thereof;  
FIG. 3 is a top view thereof;  
FIG. 4 is a right side view thereof, the left side view thereof being a mirror image [except for the color of the cable and clamp];  
FIG. 5 is a front view thereof showing one cable clamp removed from its storage position;  
FIG. 6 is a rear view thereof; and,  
FIG. 7 is a bottom view thereof.

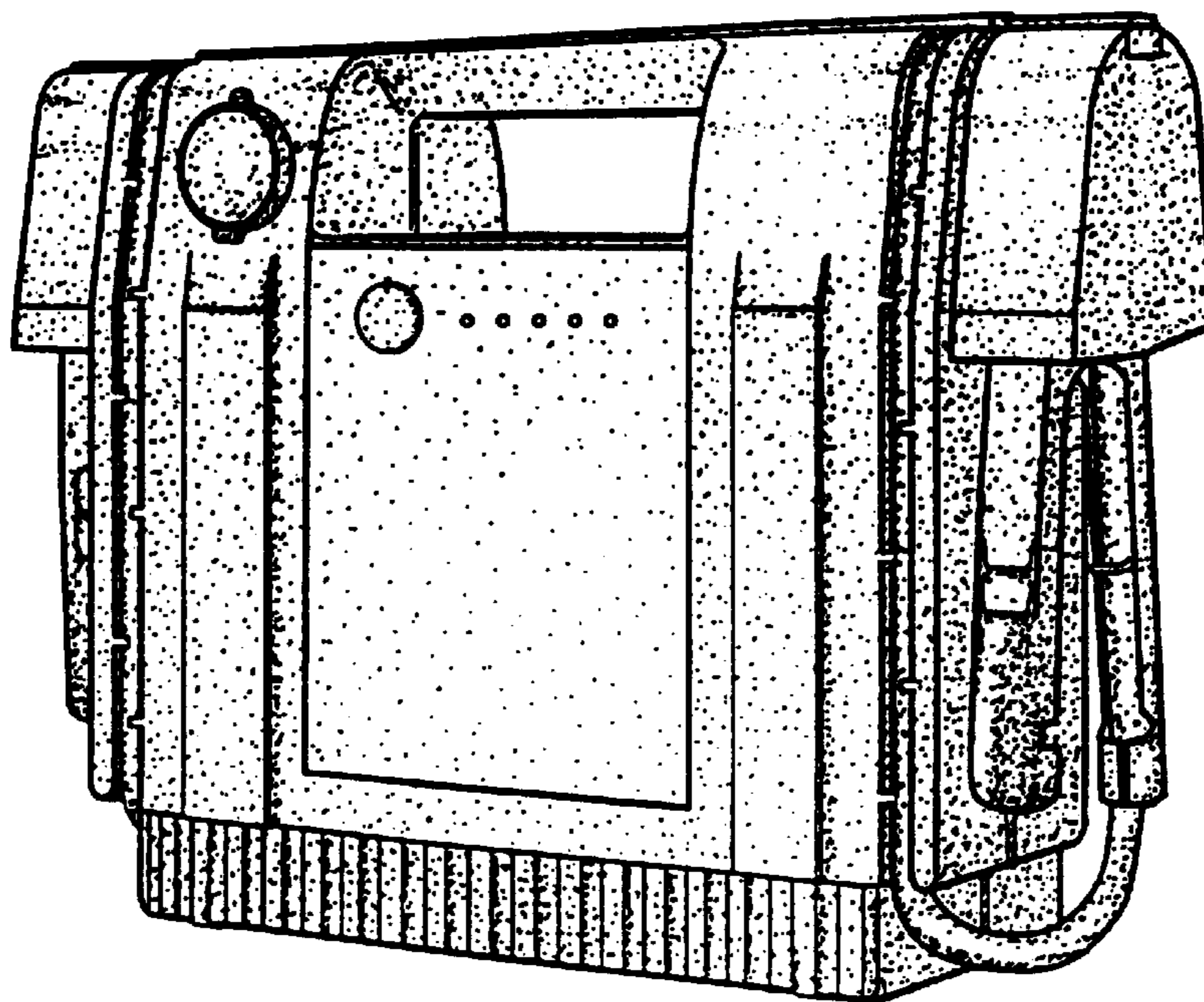
**1 Claim, 4 Drawing Sheets**

Matter enclosed in heavy brackets [ ] appears in the original patent but forms no part of this reissue specification; matter printed in italics indicates the additions made by reissue.





**Fig. 1**  
(AMENDED)



**Fig. 2**  
(AMENDED)

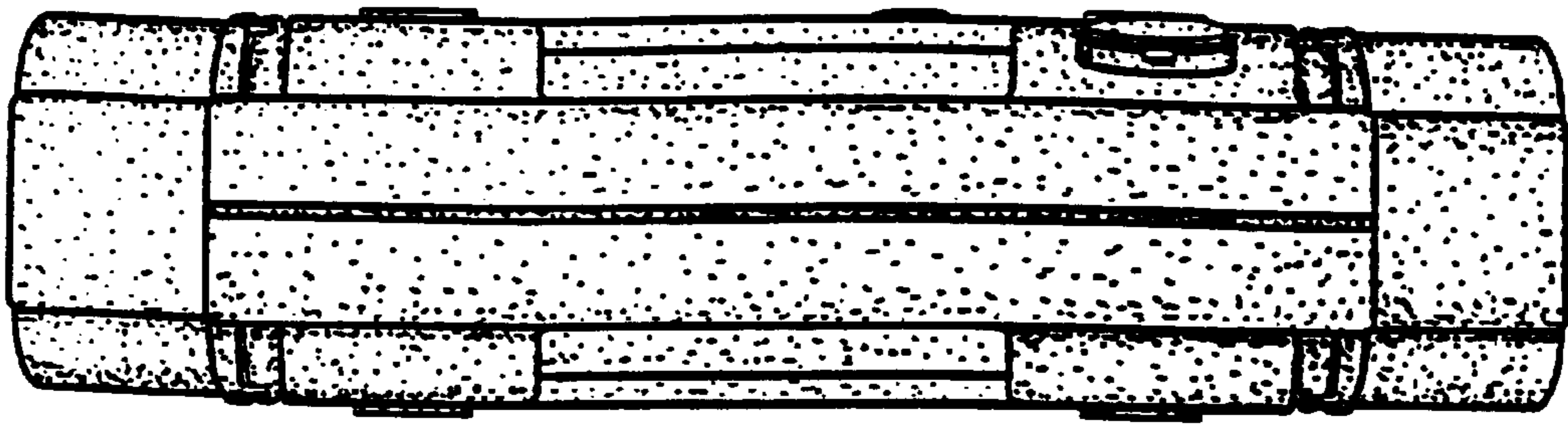


FIG. 3

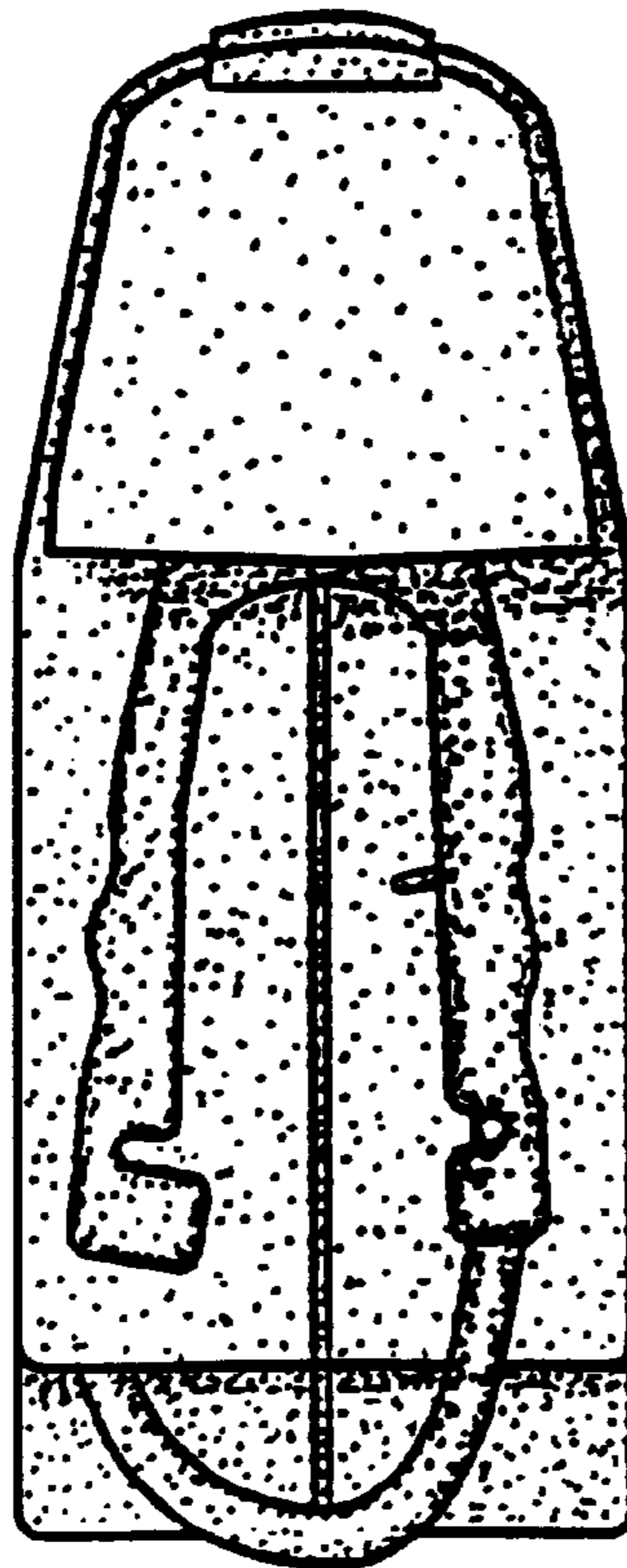
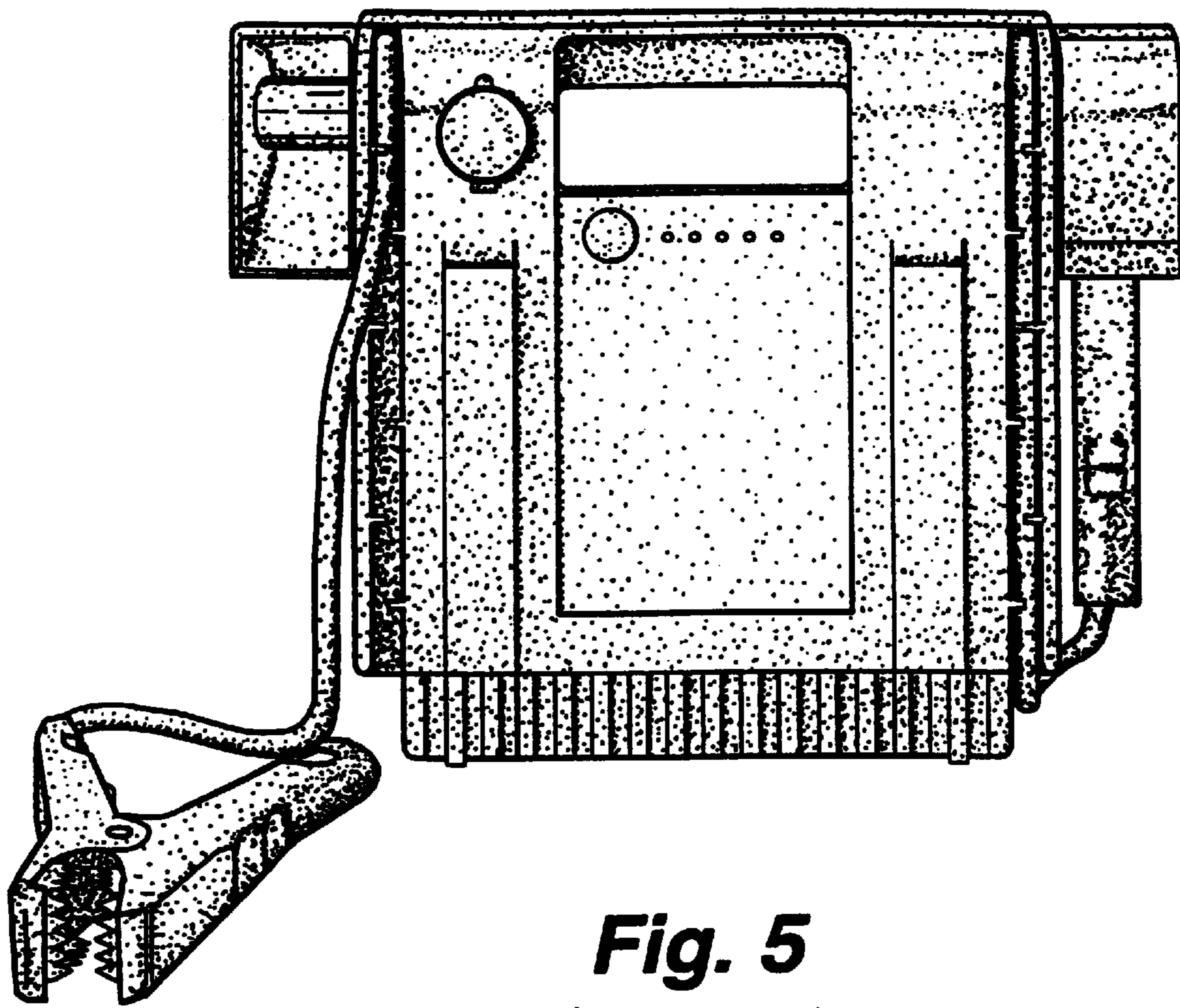


FIG. 4



**Fig. 5**  
(AMENDED)

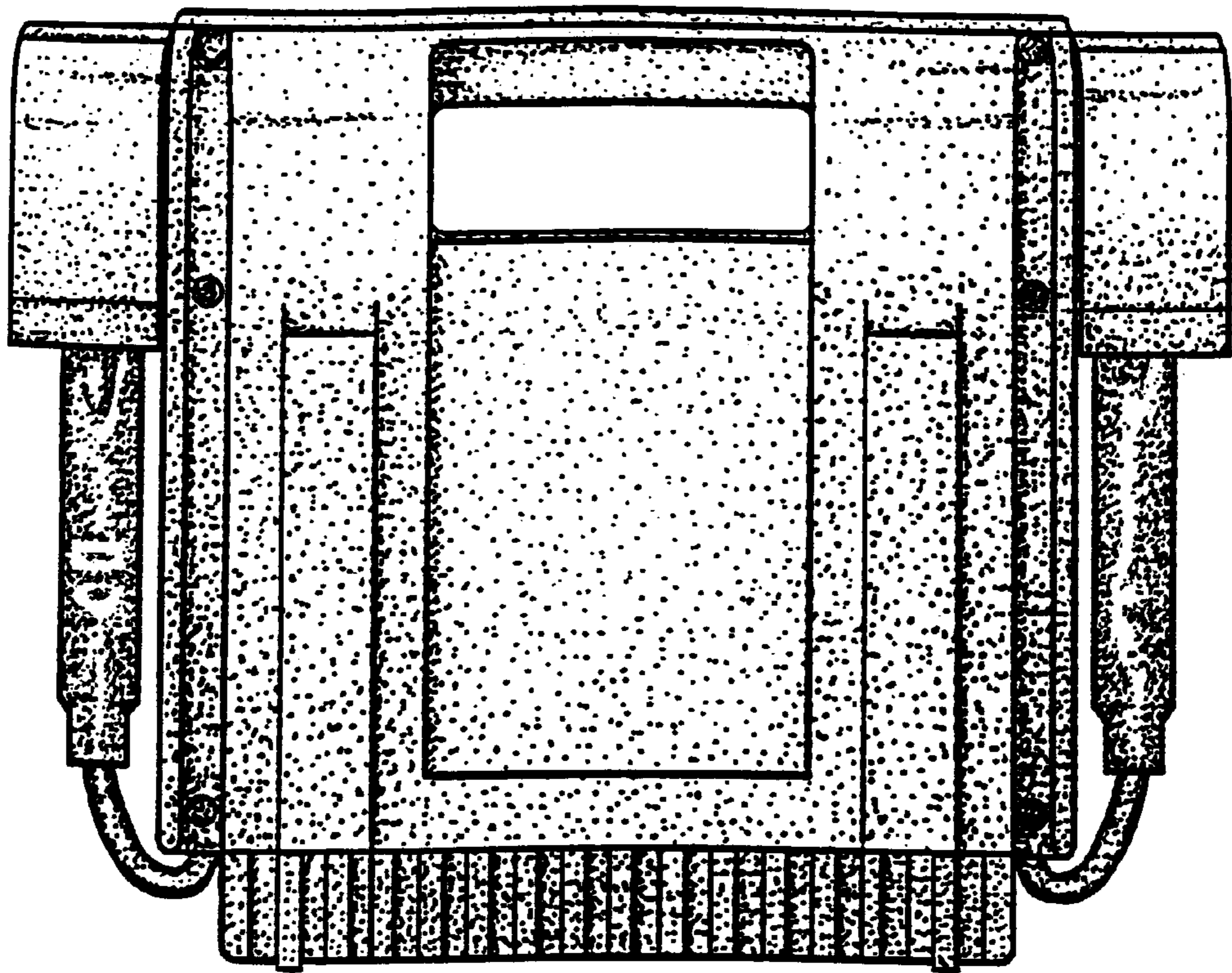


FIG. 6

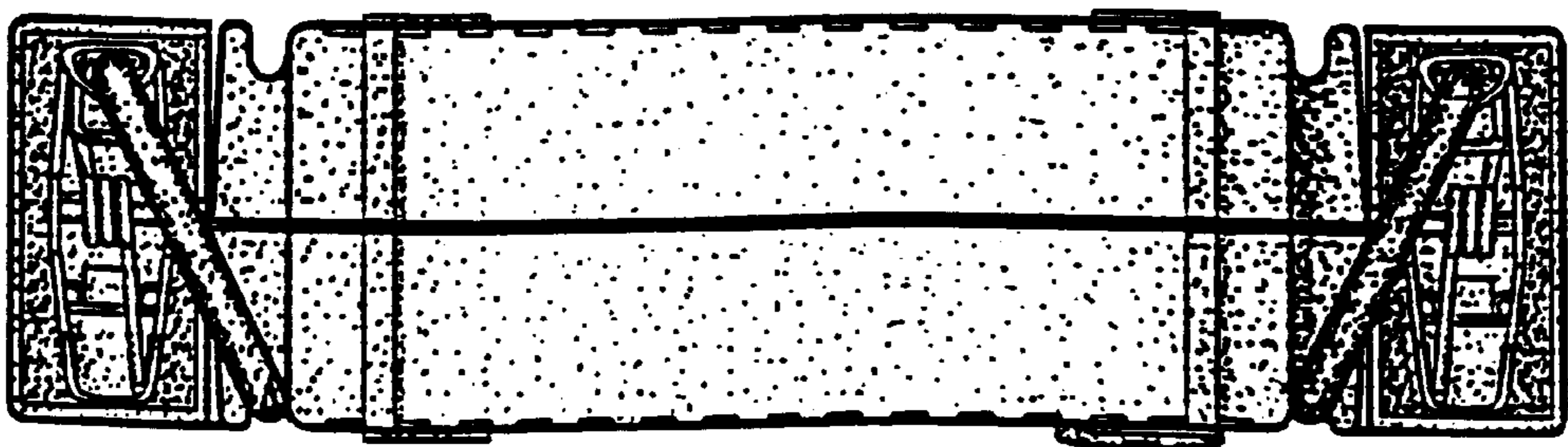


FIG. 7