



US00RE37297E

(19) **United States**
(12) **Reissued Patent**
Smith, III

(10) **Patent Number: US RE37,297 E**
(45) **Date of Reissued Patent: Jul. 24, 2001**

(54) **DYNAMIC ORTHOPEDIC KNEE BRACE ASSEMBLY**

(76) Inventor: **Kirby Smith, III**, 3636 Blakeford Way, Marietta, GA (US) 30062

(21) Appl. No.: **09/339,646**

(22) Filed: **Jun. 24, 1999**

Related U.S. Patent Documents

Reissue of:

(64) Patent No.: **5,857,989**
Issued: **Jan. 12, 1999**
Appl. No.: **08/977,094**
Filed: **Nov. 24, 1997**

(51) **Int. Cl.⁷ A61F 5/00**
(52) **U.S. Cl. 602/26; 602/16**
(58) **Field of Search 128/DIG. 15, 882, 128/887, 881; 602/26, 24, 16, 20**

(56) **References Cited**

U.S. PATENT DOCUMENTS

3,046,981 * 7/1962 Biggs 602/26
3,387,305 * 6/1968 Shafer .
3,581,741 * 6/1971 Rosman .

(List continued on next page.)

OTHER PUBLICATIONS

Advertisement for the Innovation C.Ti Brace.*
Advertisement for the Innovation C.Ti. 2 Brace.*
Advertisement for the Innovation C.Ti.2 Lite, Edge, Edge Lite, Sentry C180 and MVP Braces.*
Advertisement for the Innovation Sentry Brace.*
Advertisement for the Innovation MVP Brace.*
Advertisement for the Brace Technologies Cincinnati ACL Brace.*
Advertisement for the Omni Scientific OS-5 TM Brace.*
Advertisement for the 3M Health Care Lennox Hill TM Brace.*
Advertisement for the Orthotic Consultants SKO TM Brace.*

Advertisement for the Orthotic Consultants TKO TM Brace.*

Advertisement for the Townsend Design ACL Brace.*

Advertisement for the Smith & Nephew Donjoy DONJOY 4-Point TM Brace.*

Advertisement for the Smith & Nephew Donjoy GOLD-POINT TM Brace.*

Advertisement for the Smith & Nephew Donjoy PLAY-MAKER TM Brace.*

Advertisement for the Smith & Nephew Donjoy DEFIANCE TM Brace.*

Advertisement for the Generation Orthotics Poli-Axial Osteoarthritis Brace.*

Advertisement for the Orthomedics ECKO TM II Brace.*

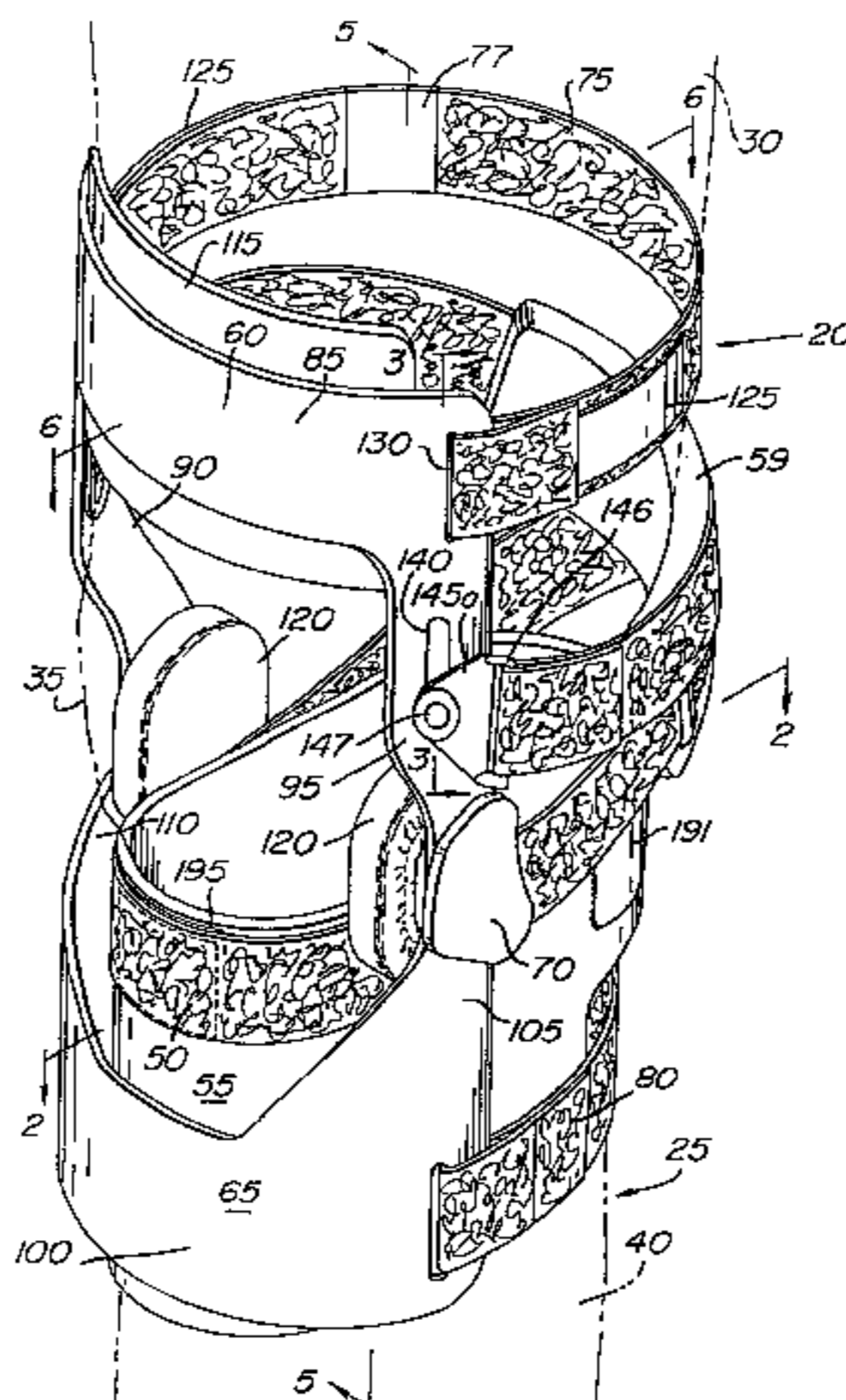
Primary Examiner—Justine R. Yu

(74) *Attorney, Agent, or Firm*—Caesar, Rivise, Bernstein, Cohen & Pokotilow, Ltd.

(57) **ABSTRACT**

A knee brace assembly for various uses, e.g., restricting anterior tibial movement. The knee brace assembly includes a proximal cuff for engaging the wearer's leg above the knee and a distal cuff for engaging the wearer's leg below the knee. The proximal and distal cuffs are linked together by a hinge that permits pivotal movement of the proximal cuff relative to the distal cuff. The proximal cuff has lateral and medial portions each having a slot extending there along. A strap guiding assembly is slidably mounted within each of the slots. Each strap guiding assembly is arranged to slide between a proximal extreme when the wearer's leg is in flexion and a distal extreme as the wearer extends his or her leg. A biasing device biases each strap guiding assembly towards its proximal extreme. A cross-strap, having free ends and a length, is provided for engagement with the wearer's leg. The cross-strap attaches to the wearer's leg below the knee and wraps behind the knee in crisscross fashion. The free ends of the strap attach to the strap guiding assembly. The cross-strap is operative in response to extension of the wearer's leg to pull the strap guiding assembly from the proximal extreme towards the distal extreme thus creating a force counteractive to abnormal anterior movement of the tibia.

29 Claims, 11 Drawing Sheets



US RE37,297 E

Page 2

U.S. PATENT DOCUMENTS

4,240,414	*	12/1980	Theisler	128/80 C	5,063,916	*	11/1991	France et al.	602/16 X
4,381,768	*	5/1983	Erichsen	128/80 C	5,117,814	*	6/1992	Luttrell et al. .	
4,554,913	*	11/1985	Womack et al.	602/16	5,135,469	*	8/1992	Castillo	602/16
4,751,920	*	6/1988	Mauldin et al. .		5,213,094	*	5/1993	Bonutti	602/16 X
4,781,180	*	11/1988	Solomonow .		5,277,698	*	1/1994	Taylor .	
4,805,606	*	2/1989	McDavid, III .		5,383,845	*	1/1995	Nebolon	602/26
4,854,308	*	8/1989	Drillo	602/16	5,433,699	*	7/1995	Smith, III .	
4,955,369	*	9/1990	Bledsoe et al.	602/16	5,512,039	*	4/1996	White .	
4,961,416	*	10/1990	Moore et al. .		5,624,389	*	4/1997	Zepf .	
4,991,571	*	2/1991	Kausek	602/16	5,662,595	*	9/1997	Chesher et al. .	
5,052,379	*	10/1991	Airy et al.	602/16					

* cited by examiner

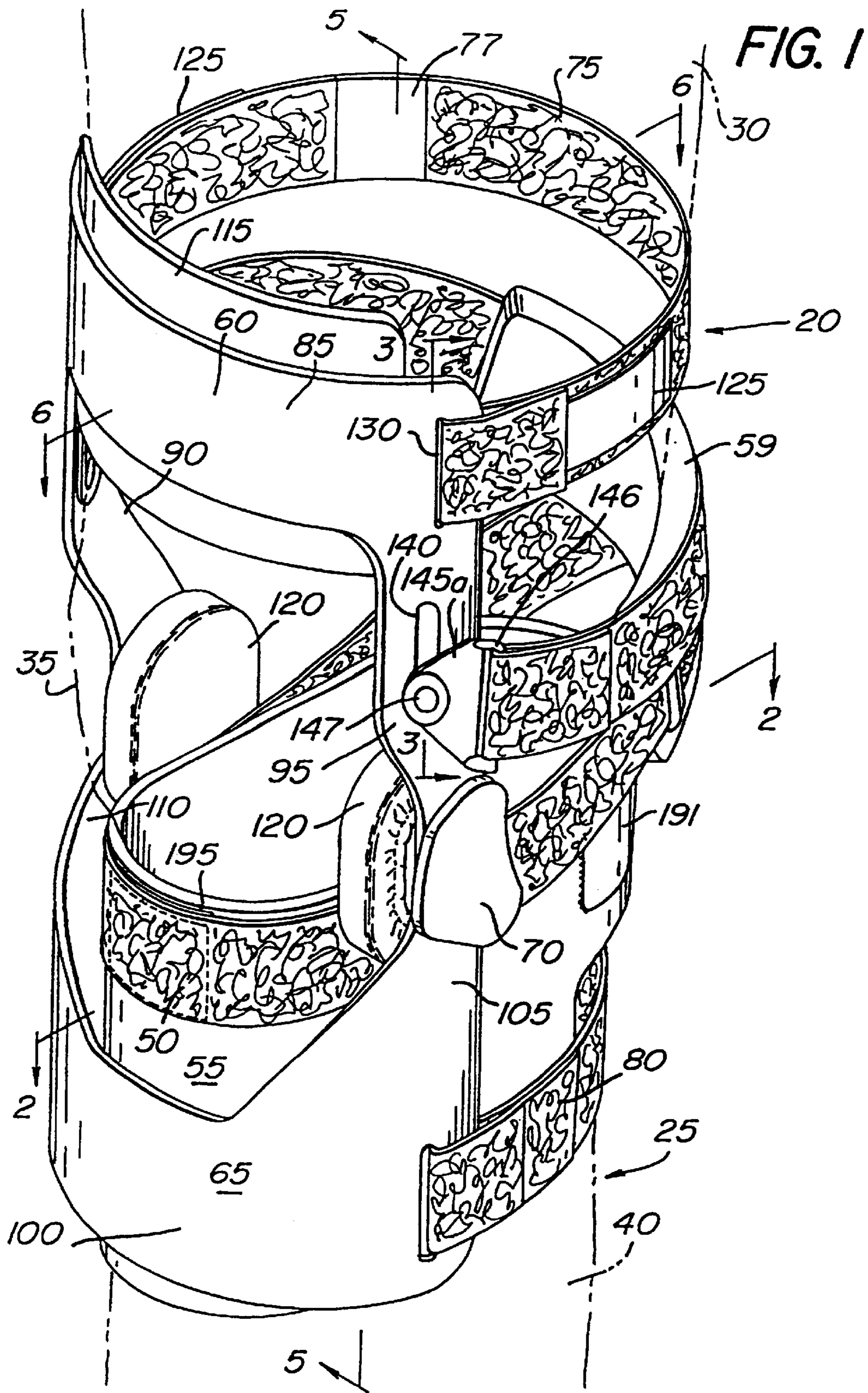


FIG. 2

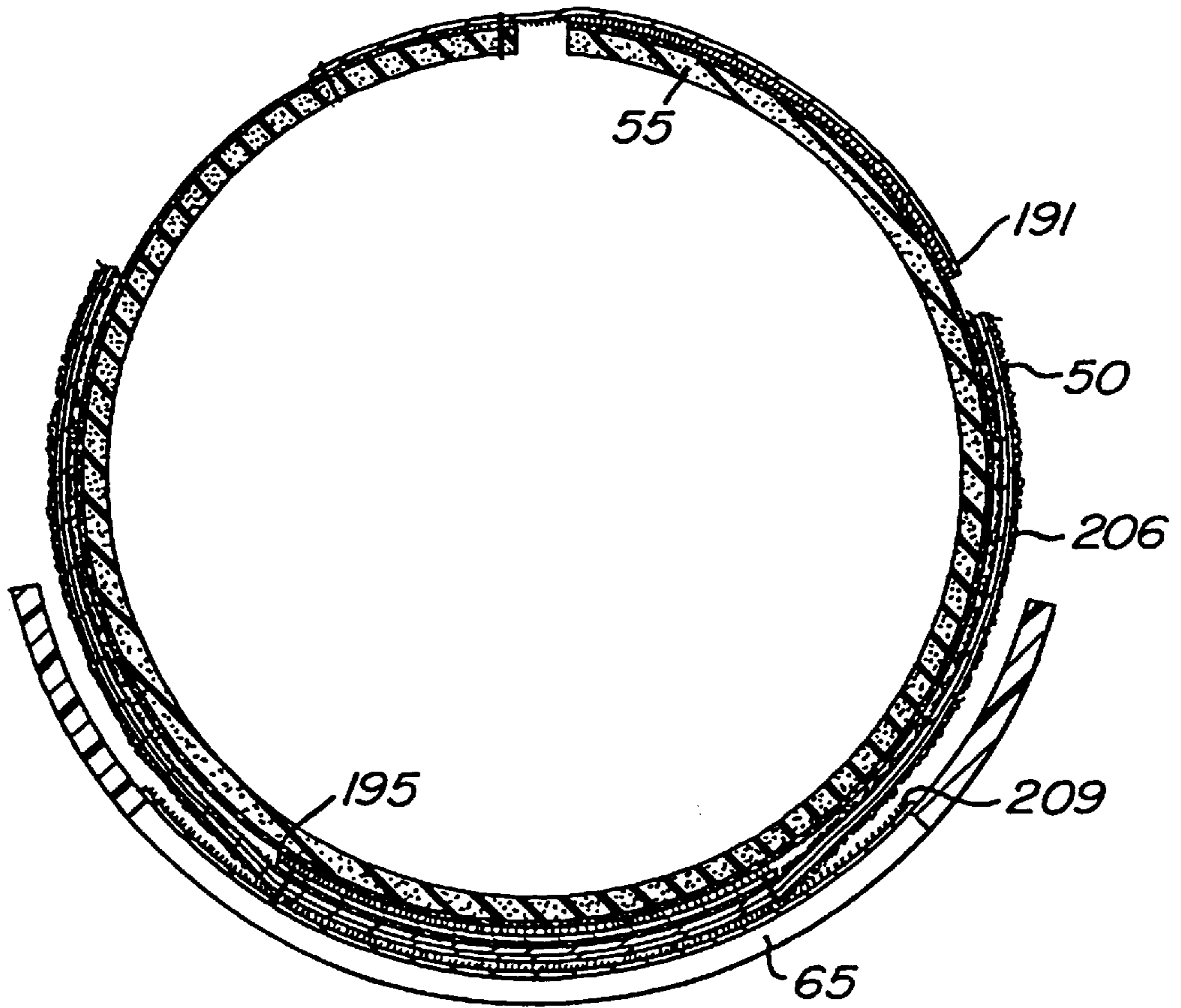


FIG. 4

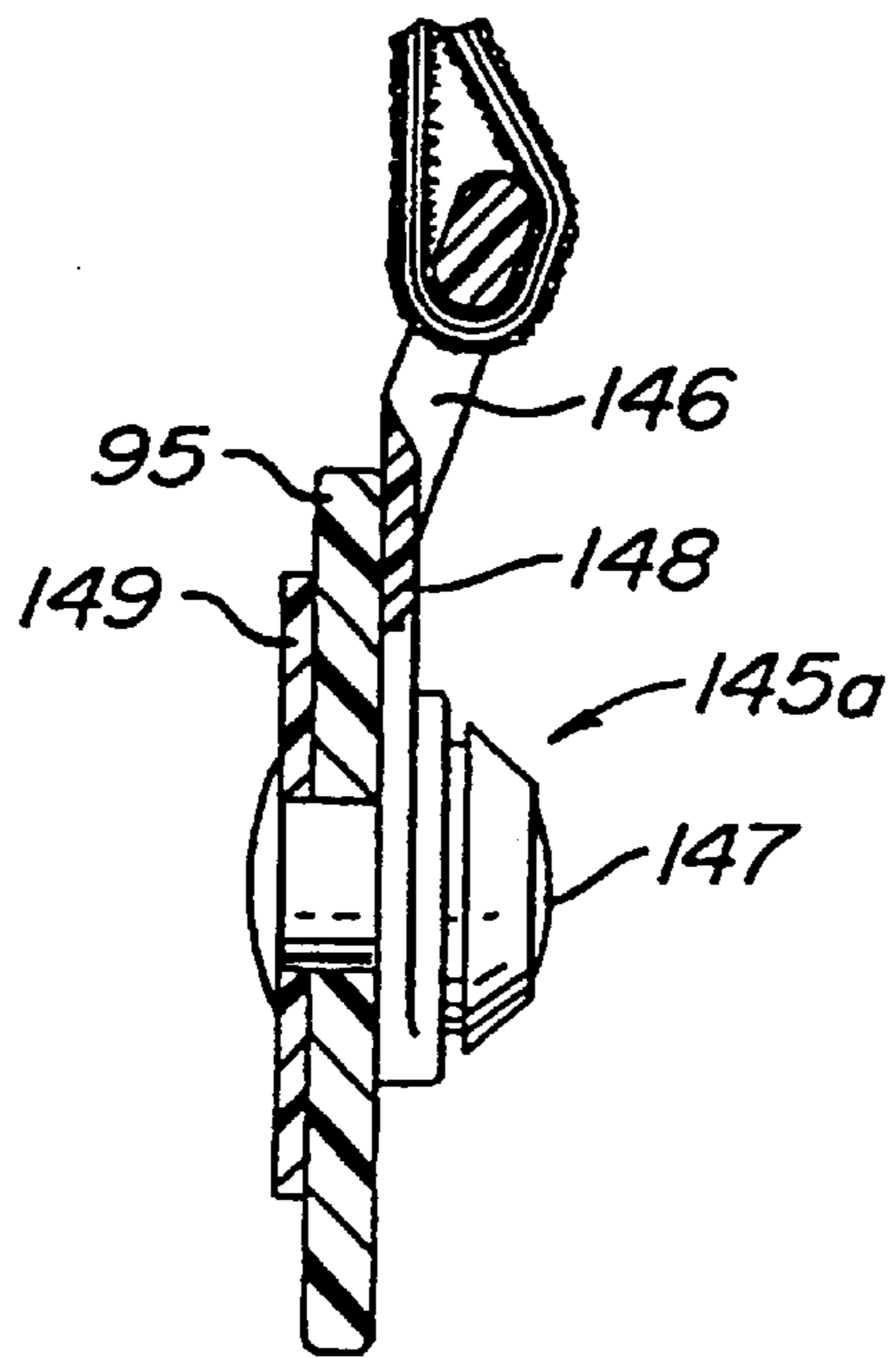
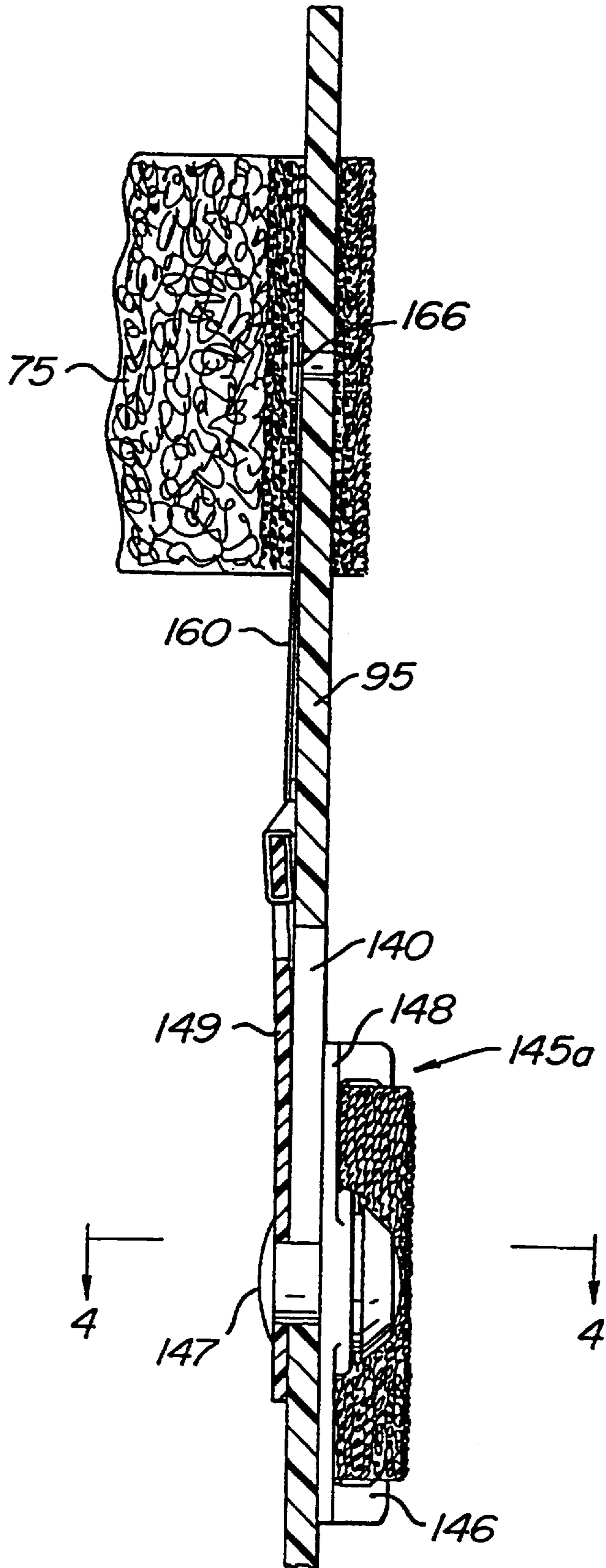
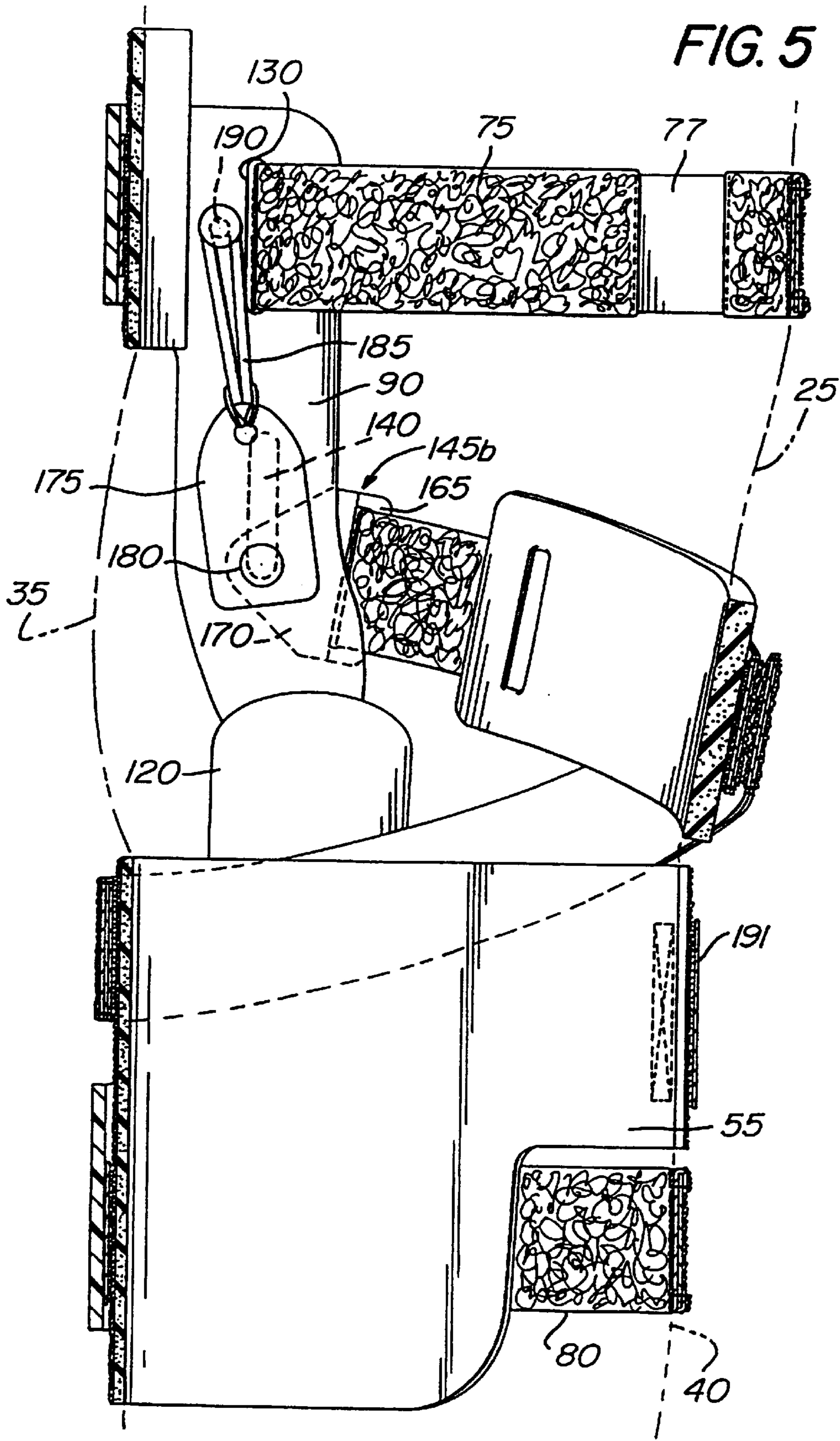


FIG. 3





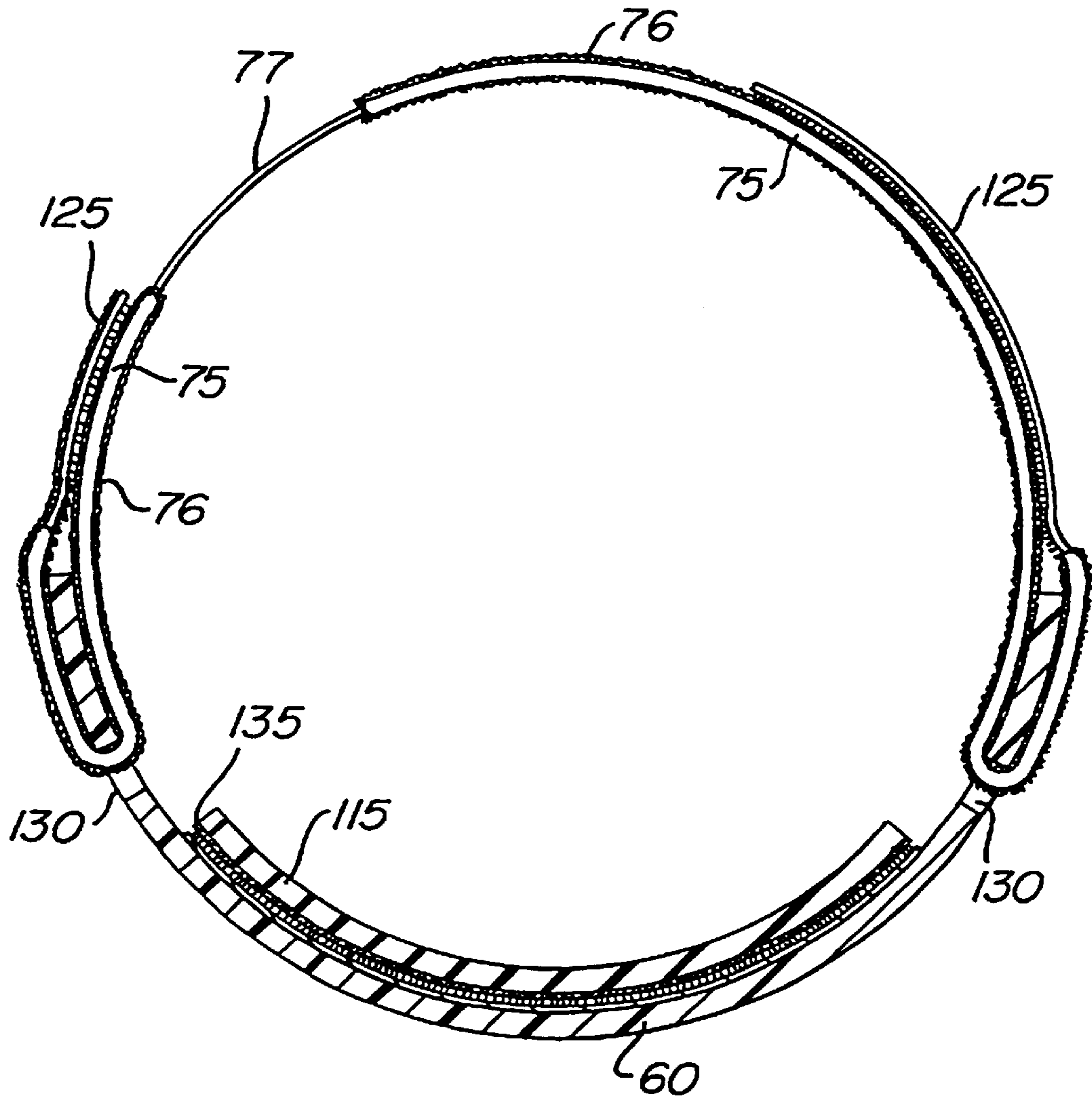


FIG. 6

FIG. 7

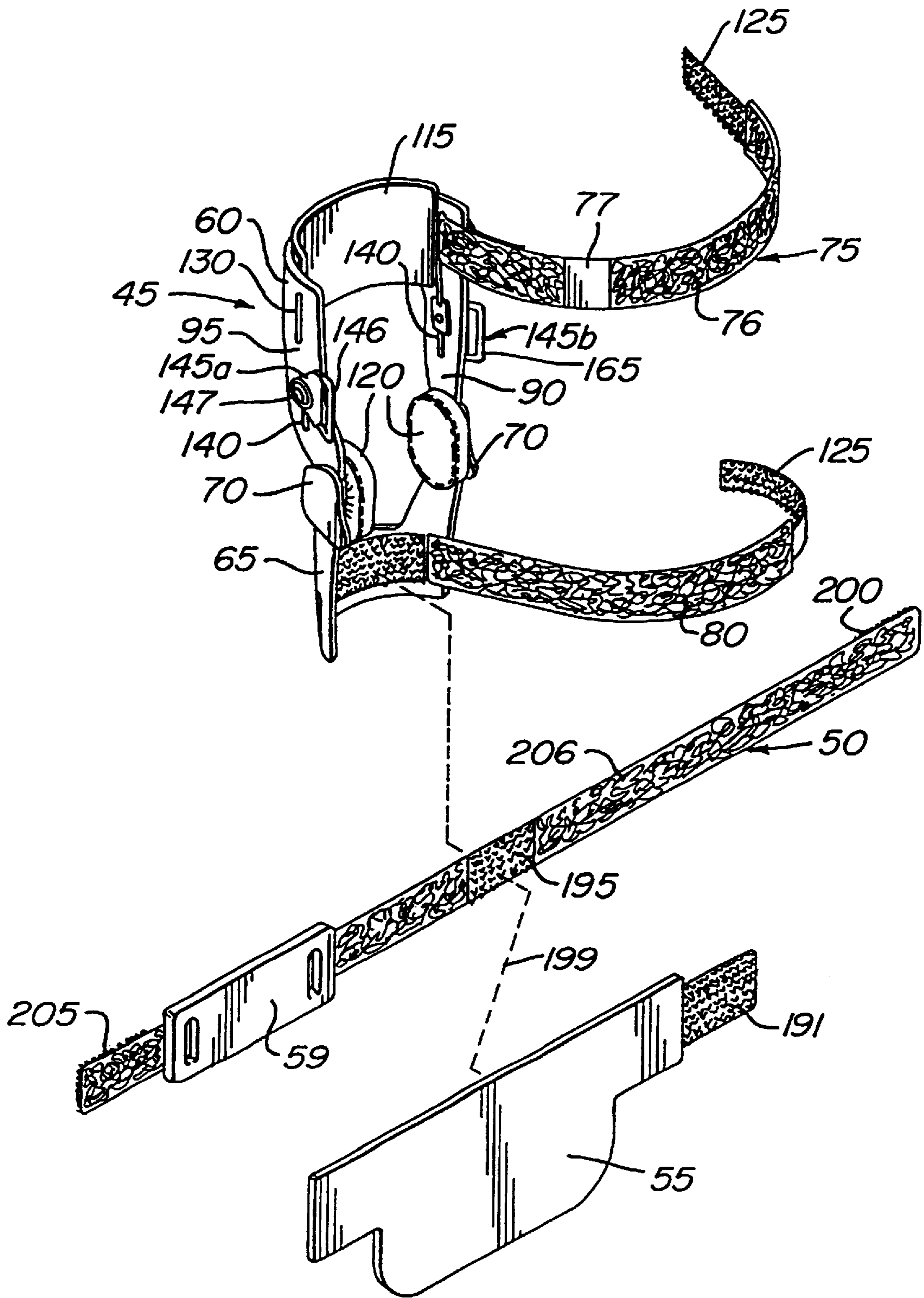


FIG. 8

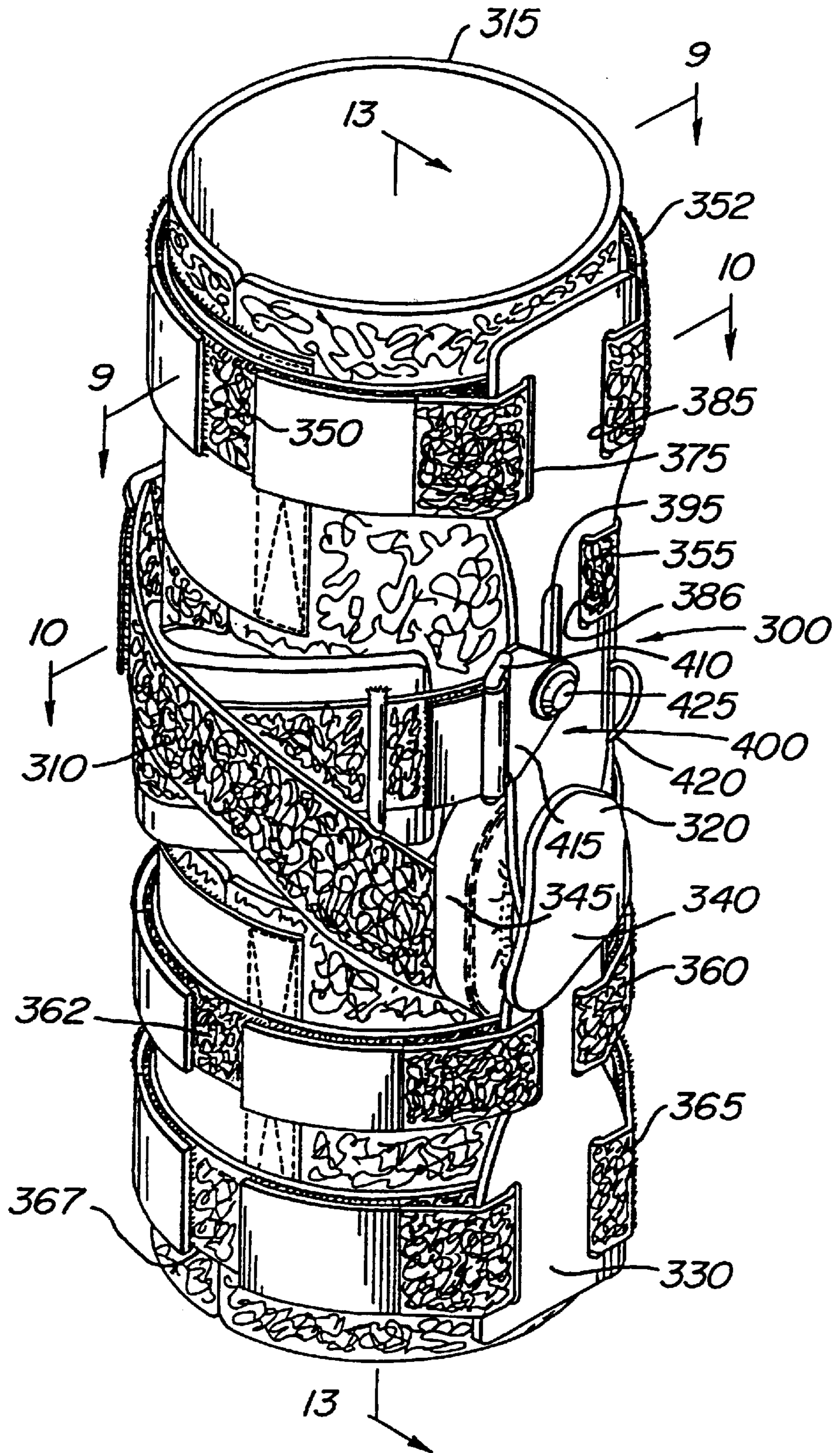


FIG. 9

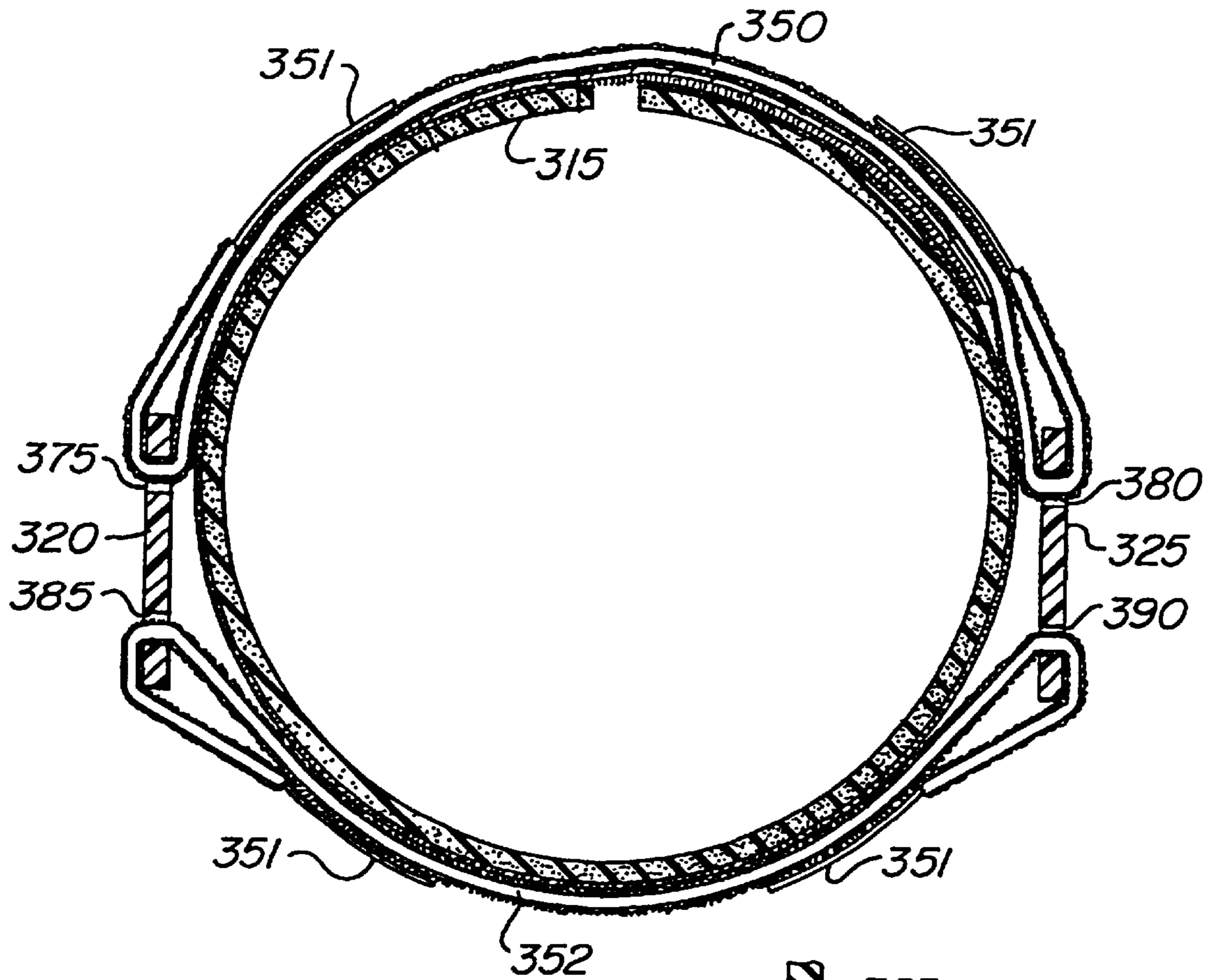


FIG. 12

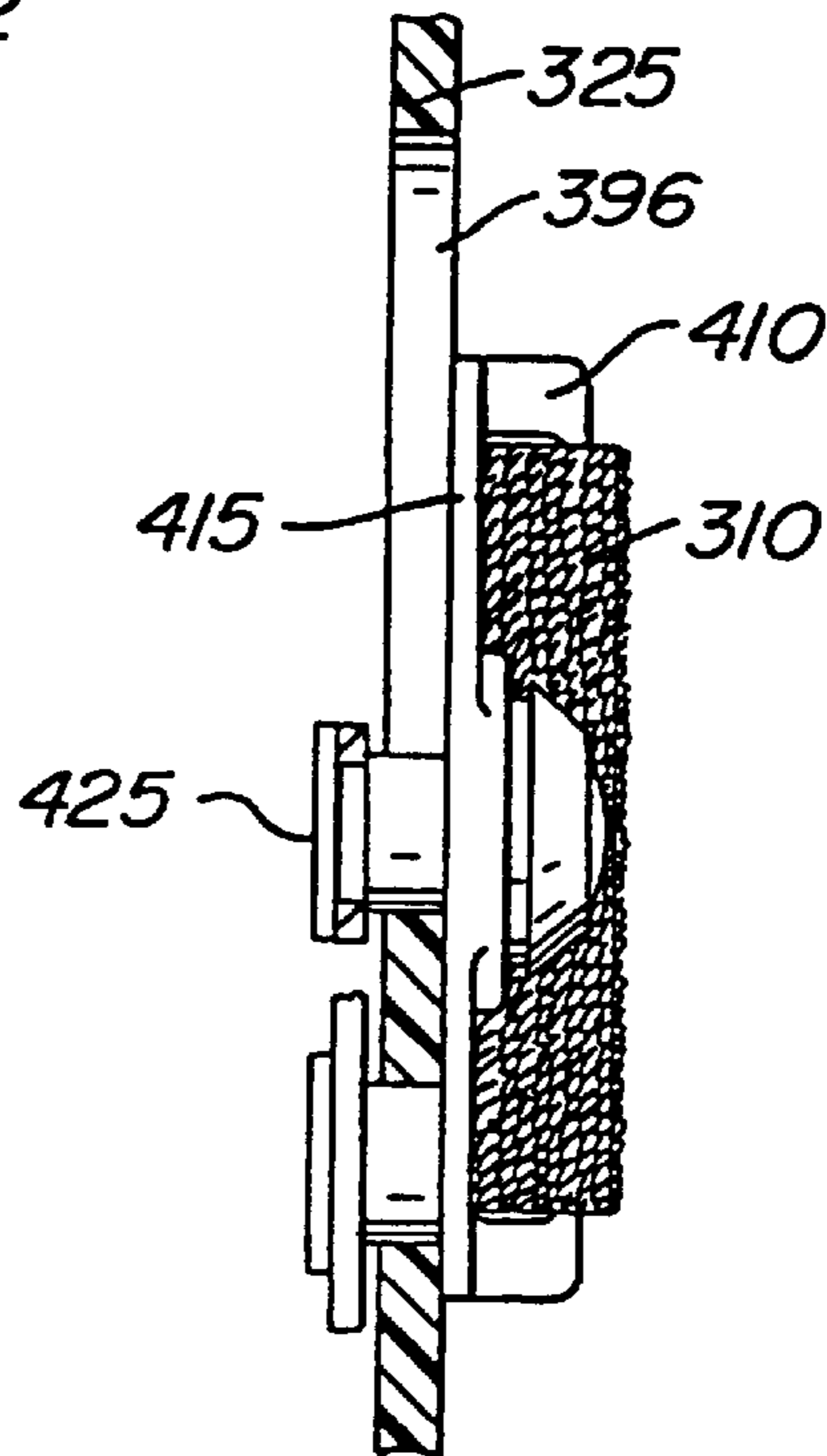


FIG. 10

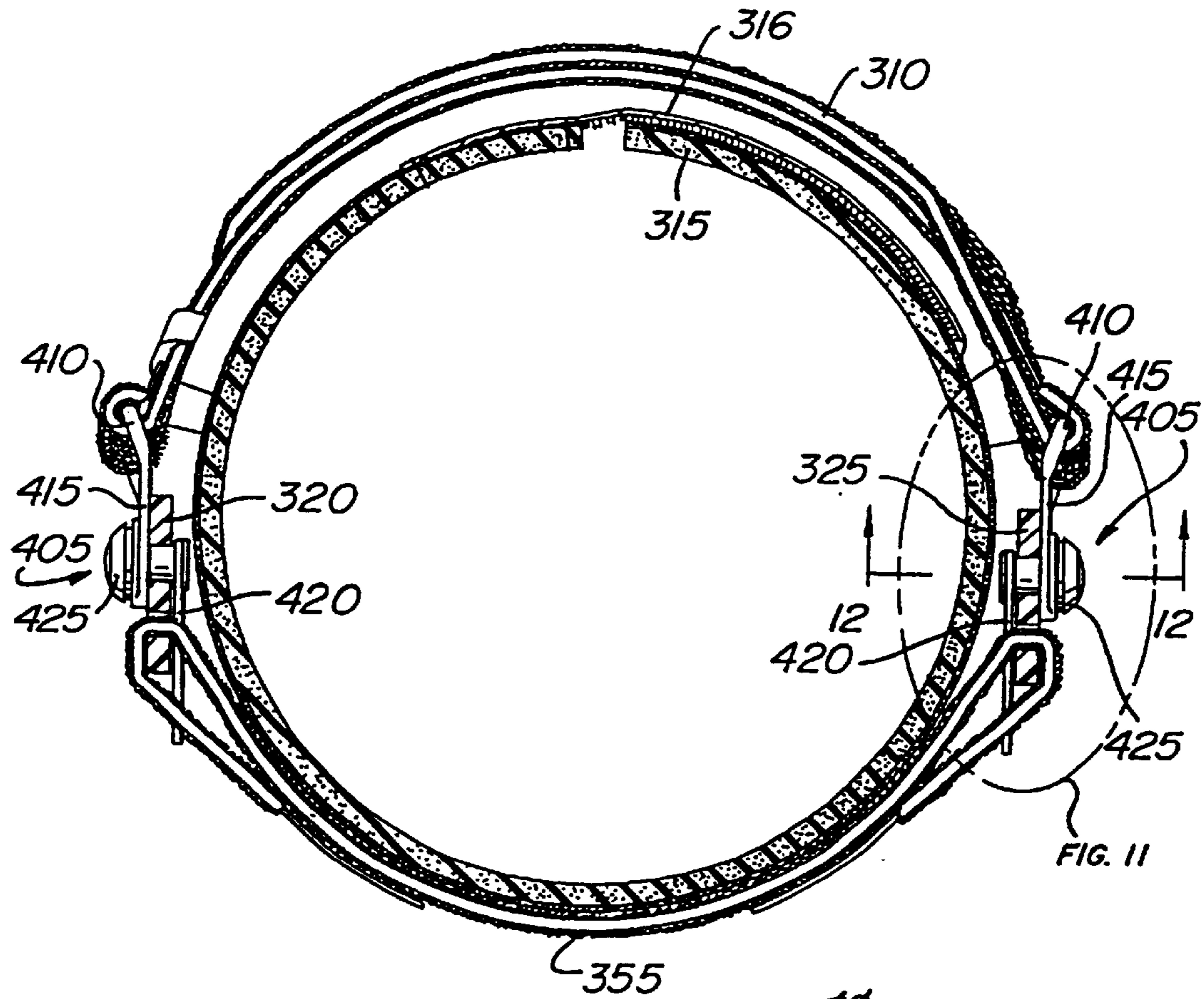


FIG. 11

FIG. 11

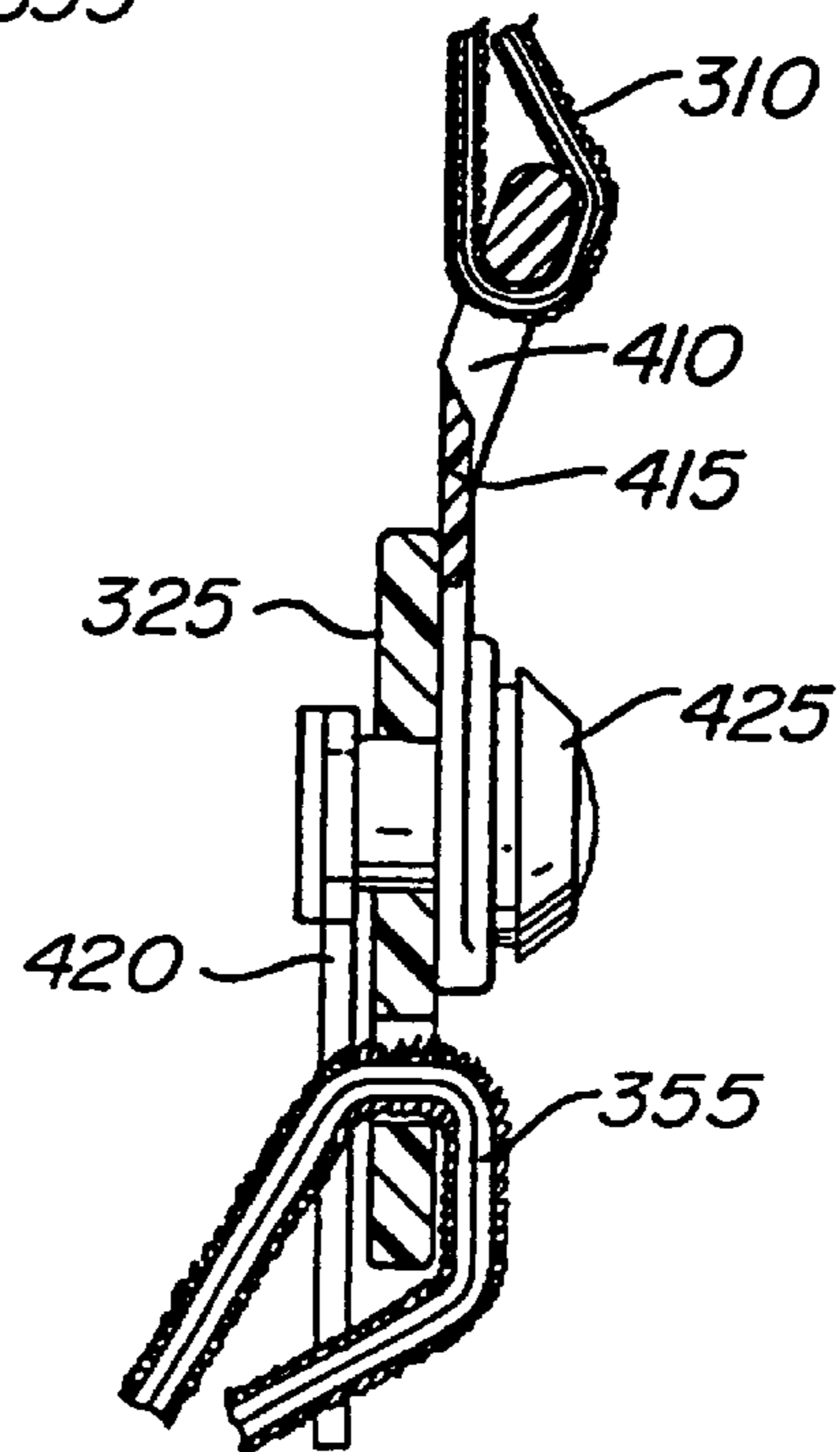


FIG. 13

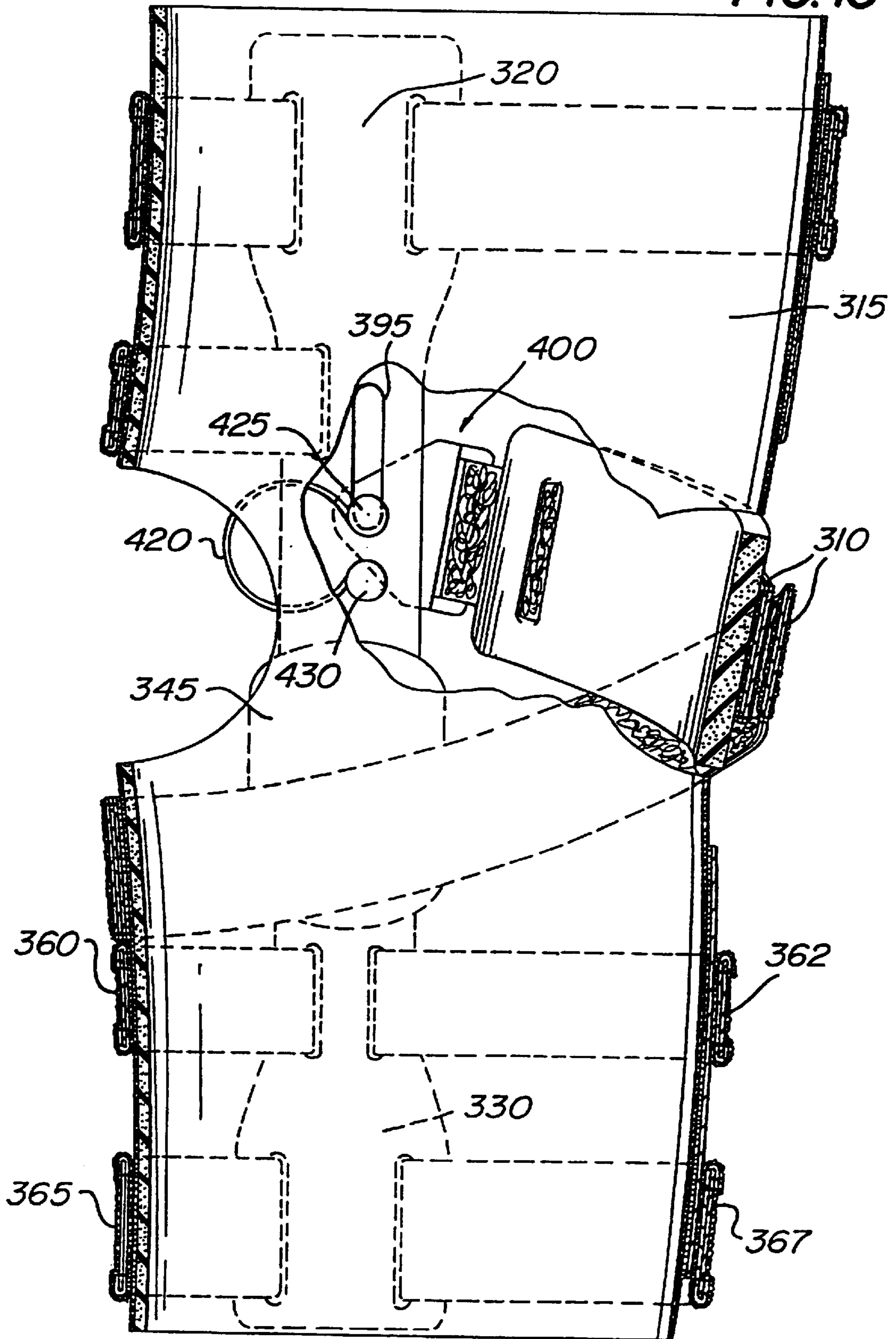
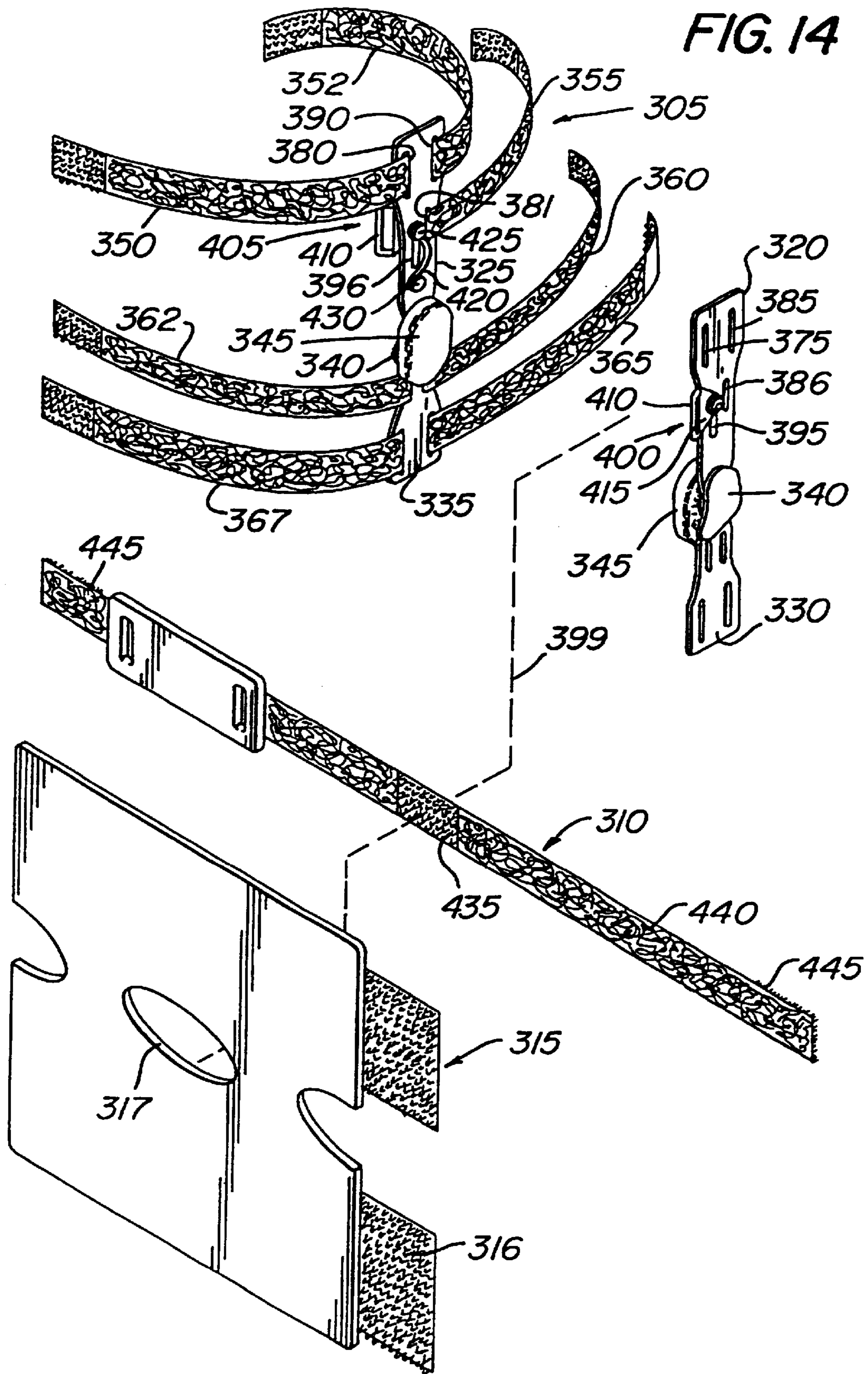


FIG. 14



DYNAMIC ORTHOPEDIC KNEE BRACE ASSEMBLY

Matter enclosed in heavy brackets [] appears in the original patent but forms no part of this reissue specification; matter printed in italics indicates the additions made by reissue.

This invention relates generally to orthopedic knee braces, and more particularly to knee braces for use by persons having anterior cruciate ligament laxity or insufficiency to protect them from injury due to abnormal anterior tibial movement.

BACKGROUND OF THE INVENTION

Various types of knee braces are shown in the patent literature and are commercially available. The following constitute examples of prior art braces that deal with restricting anterior movement of the tibia: U.S. Pat. Nos. 4,905,369 (Bledsoe et al.); 5,433,699 (Smith, III); 4,751,920 (Mauldin et al.) and 4,781,180 (Solomonow). The apparatus shown by Mauldin is a knee brace that has a first attachment portion to attach the brace to the wearer's thigh and a second attachment portion to attach the brace to the wearer's tibia and a hinge connected to the medial side of the first and second attachment portions by way of a thigh bar and tibia bar, respectively. An adjustable gearing mechanism located at the hinge permits the wearer to limit the amount of rotation of the tibia bar with respect to the thigh bar. However, this brace suffers from failing to be able to prevent anterior translation of the tibia by the application of posterior pressure directed at the tibia tubercle location. Instead, like its predecessors, the Mauldin apparatus attempts to limit tibial rotation by limiting medial hinge motion.

The apparatus shown by Solomonow is a knee brace having an upper framework attached to the thigh and a lower framework attached to the lower leg just below the knee. These two frameworks are hinged on the medial and lateral sides of the leg (bilateral hinge). A bell crank is pivotally connected to the lower framework. An adjustable screw coupled to one side of the bell crank engages an offset portion of the upper framework whenever the leg is extended. The other side of the bell crank is coupled to a tibial restraining strap. As the leg is extended, the lower framework and bell crank are rotated counterclockwise until the offset of the upper framework contacts the screw, rotating the bell crank in a clockwise direction and thereby tightening the tibial restraining strap against anterior movement of the tibia.

The apparatus as shown by Bledsoe et al. is a knee brace which also utilizes bilateral hinges to connect the thigh support and calf support sections. The bilateral hinges basically comprise adjustable drive plates that alternate the pivoting point of the thigh support and calf support throughout leg flexion and extension. By varying the pivot point at different points throughout leg extension, a counter shearing force is generated to reduce the shearing force created by the quadriceps muscle which cause the undesirable anterior shift of the tibia of the leg.

Other prior art knee braces are disclosed in U.S. Pat. Nos. 3,581,741 (Rosman); 5,277,698 (Taylor); 5,512,039 (White); 3,387,305 (Shafer); 4,240,414 (Theisler); 4,805,606 (McDavid, III); 4,961,416 (Moore et al.); and U.S. Pat. No. 4,854,308 (Drillio).

Examples of prior art knee braces which are commercially available are: Innovative Sports C.Ti., C.Ti.², C.Ti.² Lite, Edge, Edge Lite, Sentry, C180 and MVP all of which are

sold by Innovation Sports, Inc. Of Irvine, Calif.; Cincinnati ACL which is sold by Brace Technologies, Inc. Of Cincinnati, Ohio, the OS-5 (TM) non-custom functional knee support which is sold by Omni Scientific, Inc. Of Martinez, Calif.; the Lennox Hill (TM) OTS Brace and Spectralite Brace which are sold by 3M Health Care of Long Island City, N.Y.; the SKO (TM) and TKO (TM) knee orthoses which are manufactured by Orthotic Consultants of Southern California; the ACL model knee brace which is sold by Townsend Design of Bakersfield, Calif.; the DON-JOY 4-Point (TM), Gold-Point (TM), Playmaker (TM), and Defiance (TM) all of which are sold by Smith & Nephew Donjoy, Inc. of Carlsbad, Calif.; the Poli-Axial Osteoarthritis Brace which is sold by Generation Orthotics, Inc.; and, the ECKO (TM) II Extension Control Knee Orthosis which is sold by Orthomedics of Brea, Calif.

While the aforementioned patents seem suitable for their intended purposes, it would be a significant advance in the art to provide a knee brace assembly that applies posterior pressure on the wearer's tibia in response to extension of the wearer's leg through the use of a cross-strap that is positioned over the wearer's tibia, wrapped in crisscross manner behind the wearer's knee and attached to biased strap guides slidably mounted to the brace assembly.

OBJECTS OF THE INVENTION

Accordingly, it is a general object of this invention to provide a knee brace assembly which overcomes the disadvantages of the prior art.

It is a further object of this invention to provide a knee brace assembly for restricting anterior movement of the wearer's tibia.

It is a further object of this invention to provide a knee brace assembly for restricting abnormal anterior tibial movement without preventing the wearer from being able to fully extend his/her leg.

It is a further object of this invention to provide a knee brace assembly that is inexpensive to manufacture.

It is a further object of this invention to provide a knee brace assembly that is reliable in operation.

It is a further object of this invention to provide a knee brace assembly that is simple in construction.

It is a further object of this invention to provide a knee brace assembly that is lightweight.

It is a further object of this invention to provide a knee brace assembly that is comfortable when worn.

SUMMARY OF THE INVENTION

These and other objects of this invention are achieved by providing a knee brace assembly for restricting anterior tibial movement. The knee brace assembly includes a proximal cuff for engaging the wearer's leg above the knee and a distal cuff for engaging the wearer's leg below the knee. The proximal and distal cuffs are linked together by a hinge means that permits pivotal rotation of the proximal cuff relative to the distal cuff. The proximal cuff has lateral and medial portions each having a slot extending there along. A strap guiding means is slidably mounted within each of the slots. Each strap guiding means is arranged to slide between a proximal extreme when the wearer's leg is in flexion and a distal extreme as the wearer extends his or her leg. A biasing means biases each strap guiding means towards its proximal extreme. A cross-strap, having free ends and a length, is provided for engagement with the wearer's leg. The cross-strap attaches to the wearer's leg below the knee

and wraps behind the knee in crisscross fashion. The free ends of the strap attach to the strap guiding means. The cross-strap is operative in response to extension of the wearer's leg to pull the strap guiding means from the proximal extreme towards the distal extreme thus creating a force counteractive to abnormal anterior movement of the tibia.

DESCRIPTION OF THE DRAWINGS

Other objects and many attendant features of this invention will become readily appreciated as the same becomes better understood by reference to the following detailed description when considered in connection with the accompanying drawings wherein:

FIG. 1 is an isometric view of a first embodiment of the present invention;

FIG. 2 is an enlarged sectional view taken along line 2—2 of FIG. 1;

FIG. 3 is an enlarged sectional view taken along line 3—3 of FIG. 1;

FIG. 4 is an enlarged sectional view taken along line 4—4 of FIG. 3;

FIG. 5 is a sectional view taken along line 5—5 of FIG. 1;

FIG. 6 is a sectional view taken along line 6—6 of FIG. 1;

FIG. 7 is an exploded isometric view of a first embodiment of the present invention;

FIG. 8 is an isometric view of a second embodiment of the present invention;

FIG. 9 is an enlarged sectional view taken along line 9—9 of FIG. 8;

FIG. 10 is an enlarged sectional view taken along line 10—10 of FIG. 8;

FIG. 11 is an enlarged view of an area shown in FIG. 10 encircled by a line labeled FIG. 11;

FIG. 12 is an enlarged sectional view taken along line 12—12 of FIG. 10;

FIG. 13 is a sectional view taken along line 13—13 of FIG. 8; and, FIG. 14 is an exploded isometric view of a second embodiment of the present invention.

DETAILED DESCRIPTION OF THE PREFERRED EMBODIMENTS

Referring now in greater detail to the various figures of the drawings wherein like reference numerals refer to like parts there is shown at 20 in FIGS. 1, 5 and 7 a first embodiment of the dynamic orthopedic knee brace assembly of the present invention. As shown in FIGS. 1 and 5, the knee brace assembly 20 is shown attached to a human left leg 25 (shown in phantom) having a thigh portion 30, a knee 35 and leg portion below the knee 40. The left leg 25 is chosen for convenience only and the brace assembly 20 can be affixed to either the right or left leg. Generally speaking, the knee brace assembly 20 functions to counteract anterior shifting of the tibia when the anterior cruciate ligament in the illustrated leg is missing or damaged. Such anterior shifting of the tibia occurs for a variety of reasons and often occurs when a person is engaging in physical activities that involve sudden turning to the right or to the left, sudden stopping, jumping, running backwards or other types of movement. Where the anterior cruciate ligament is missing or damaged, such anterior shifting of the tibia can also occur when a person simply extends his or her leg from a flexed

position towards its fully straightened position (FIGS. 1 and 3). Referring now to FIG. 7, the knee brace assembly 20 of the present invention comprises three basic parts: a bracing component 45, a cross-strap 50 and a sleeve 55. The bracing component 45 comprises an upper or proximal cuff 60, which is engageable with a wearer's thigh, a distal cuff 65, which is engageable with the wearer's leg portion below the knee 40, and a pair of polycentric hinges 70 which pivotally join the cuffs 60 and 65 together. Straps, used for securing the cuffs to the wearer's leg, are shown generally at 75 and 80.

Referring now to FIGS. 1 and 7, the bracing component 45 is constructed to fit a wearer's leg as will become apparent hereinafter. The upper or proximal cuff 60, is formed to fit the anterior portion of the wearer's leg above the knee, and is essentially curvilinear in configuration and shaped to fit over the wearer's thigh 30. The proximal cuff 60 has medial and lateral depending portions 90 and 95, respectively, and a front arcuate portion 85 (FIG. 1). The proximal cuff 60 is open at the posterior portion so that it may be placed over the thigh 30 from the anterior or front. The distal cuff 65 is similar in construction to the proximal cuff in that it is curvilinearly shaped and formed to fit the anterior portion of the wearer's leg portion below the knee 40. It also includes a front arcuate portion 100, a medial depending portion 110 and a lateral depending portion 105.

The proximal and distal cuffs 60 and 65 and the polycentric hinges 70 are made of lightweight, high impact thermoplastic material which can be formed to fit the contours of the individual wearer's leg. The cuffs 60 and 65 may be fabricated from any suitable material, e.g., carbon fiber filament, carbon fiber filament and polymer composite, carbon/titanium composite, woven carbon fiber infused with acrylic resin. Preferably, the cuffs 60 and 65 are fabricated from a material that is water resistant and non-corrosive to enable the wearer to use the knee brace assembly in a full range of activities including working, walking, running, vigorous athletics and high-impact sports including freshwater and salt water sports.

Referring now to FIGS. 6 and 7, the proximal cuff 60 is padded on the inside surface by a durable non-allergenic foam pad 115. In FIG. 6, a top view of the knee brace assembly 20 is shown wherein the inside surface of the proximal cuff is provided with a VELCRO® hook patch 135 secured, e.g., glued, thereon that is arranged to be brought into engagement the plush exterior surface of the foam pad 115.

As shown in FIG. 7, the polycentric hinges 70 are also padded on the inside surface by a durable non-allergenic foam pad 120. The padded cuff and hinges are positioned to absorb anterior or frontal impacts, as well as lateral impacts to the outside of the leg and medial impacts to the inside of the leg.

Referring now to FIGS. 1, 6 and 7, the cuff strap 75 provides releasable securement of the proximal cuff 60 to the wearer's thigh 30. The cuff strap 75 may be formed of any suitable flexible material, e.g., nylon, and includes an elastic segment 77, VELCRO® loop segments 76 secured to the inner and outer surfaces thereof by any suitable means, e.g., sewing. The cuff strap 75 also includes VELCRO® hook segment 125 disposed at the free ends thereof. The free ends of the cuff strap 75 are slipped through and looped around elongated slots 130 located on opposite sides of the proximal cuff 60. Each free end of the cuff strap 75 is then folded back onto itself so that the hook segment 125 releasably engages the loop segment 76 thereby permitting the strap 75 to be

tightened or loosened for comfort. The cuff strap **80** provides releasable securement of the distal cuff **65** to the wearer's leg below the knee **40** in a similar manner.

Referring now to FIGS. **1**, **5** and **7**, the medial and lateral depending portions **90** and **95** of the proximal cuff **60** each include a vertically oriented elongated slot **140**. As best shown in FIG. **7**, a strap guide assembly **145a** is slidably mounted within the elongated slot **140** located on the lateral depending portion **95**. Likewise, as best shown in FIG. **5**, a strap guide assembly **145b** is slidably mounted within the elongated slot **140** located on the medial depending portion **90** of the proximal cuff **60**.

Referring now to FIGS. **3** and **4**, the strap guide assembly **145a** shown therein includes a ring portion **146** trapped within a bracket portion **148**. The bracket portion **148** is disposed over the outside surface of the lateral depending portion **95** of the proximal cuff **60**. The strap guide assembly **145a** also includes a flange portion **149** disposed on the inside surface of the lateral depending portion **95** of the cuff. The bracket **148** and flange **149** portions of the strap guide assembly **145a** are held together and slidably mounted to the slot **140** by means of a rivet assembly **147** that enables the strap guide assembly **145a** to slidably move within the slot **140** between two extremes: a distal extreme, as shown in FIG. **1** and a proximal extreme, as shown in FIG. **7**.

Referring again to FIG. **3**, an elastic band **160**, e.g., a rubber band, is anchored at one of its ends to the flange **149** by any suitable means, e.g., tying. At its opposite end, the elastic band **160** is anchored to the inside surface of the lateral depending portion **95** of the proximal cuff **60** by any suitable means, e.g., rivet **166**. In this manner, the elastic band **160** serves as a means for normally biasing the strap guide assembly **145a** to the proximal extreme within the vertically oriented slot **140** as shown in FIG. **7**.

As best shown in FIG. **5**, the strap guide assembly **145b** is slidably mounted within the elongated slot **140** located on the medial depending portion **90** of the proximal cuff **60**. The strap guide assembly **145b** is similar in construction to the strap guide assembly **145a** and includes a ring portion **165** trapped within a bracket portion **170** disposed over the outside surface of the medial depending portion **90** of the proximal cuff **60**. The strap guide assembly **145b** also includes a flange portion **175**, the bracket and flange portions, **170** and **175**, respectively, being held together and slidably mounted to the slot **140** by means of a rivet assembly **180** to enable the strap guide assembly **145b** to slidably move between distal and proximal extremes. An elastic band **185**, e.g., a rubber band, is anchored at one of its ends to the flange **175** by any suitable means, e.g., tying. At its opposite end, the elastic band **185** is anchored to the inside surface of the medial depending portion **90** of the proximal cuff **60** by any suitable means, e.g., rivet **190**. In this manner, the elastic band **185** serves as a means to normally bias the strap guide assembly **145b** to the proximal extreme within the vertically oriented slot **140** as shown in FIG. **5**.

Referring now to FIGS. **1**, **5** and **7**, the prosthetic sleeve **55** is provided to assist in the attachment of the cross strap **50** and may be constructed of any suitable material, e.g., one-eighth inch thick neoprene having a brushed nylon outer surface and a smooth neoprene inner surface. The sleeve **55** is shown as being arranged to be wrapped around and secure to the wearer's leg portion just below the knee **40**. An alternative sleeve, such as a full patella support sleeve which wraps around and secures to the wearer's thigh and calf, both above and below the wearer's knee could be utilized in

substitution for the sleeve **55** in accordance with this invention. As best shown in FIG. **7**, the sleeve **55** is provided with a laterally extending attachment strap **191** on which a VELCRO® hook segment is disposed. As best shown in FIG. **5**, once the sleeve **55** is wrapped around the wearer's calf just below the knee **35**, the hook segment on the attachment strap **191** releasably engages the plush outer surface of the sleeve **55** thereby permitting the sleeve **55** to be tightened or loosened for comfort.

Referring now to FIG. **7**, the cross-strap **50** is formed of a non-elastic flexible web using any suitable material, e.g., nylon, and comprises an interior surface (best shown in FIGS. **2** and **7**), an exterior surface (best shown in FIG. **2**) and free ends to which VELCRO® hook patches **200** and **205** are secured. As best shown in FIGS. **2** and **7**, VELCRO® loop segments **206** are secured to both the interior and exterior surfaces of the cross-strap **50** by any suitable means, e.g., sewing. Positioned on the interior surface of the cross-strap **50** approximately midway along the length thereof is a VELCRO® hook patch **195** arranged for releasable securement with the plush exterior surface of the sleeve **55** at a position on the sleeve **55** that lies over the wearer's tibia just below the wearer's knee **35**. The positioning of the hook patch **195** on the outer surface of the sleeve **55** is best illustrated in FIG. **1** and by the dotted line **199** in FIG. **7**. The cross-strap **50** is also provided with a pad **59** slidably mounted thereon to be positioned behind the wearer's knee when the cross-strap is secured to the wearer's leg in the manner described below.

Referring now to FIGS. **1** and **5**, once the hook patch **195** cross strap **50** is releasably secured to the sleeve **55** in the manner described above, the proximal and distal cuffs **60** and **65** of the bracing component **45** are releasably secured to the wearer's thigh **30** and leg portion below the knee **40** by attachment with straps **75** and **80**. As best shown in FIG. **2**, a VELCRO® hook patch **209** is secured, e.g., glued, to the inside surface of the distal cuff **65** and is provided to engage with the plush exterior surface of the sleeve **55** thus providing an added means for securing the distal cuff **65** to the wearer's leg portion below the knee **40**.

Thereafter, the free ends of the cross-strap **50** are crossed behind the wearer's knee **35** and slipped through and looped around the ring portions **146** and **165** of the pivotally mounted strap guide assemblies **145a** and **145b**. Each free end of the cross-strap **50** is then folded back onto itself so that the hook patches **200** and **205** releasably engage the loop segments **206** of the cross-strap **50** thereby permitting the cross-strap **50** to be tightened or loosened for comfort. The slidable pad **59** may be positioned behind the wearer's knee to suit the user's comfort. In accordance with this invention, when releasably securing the free ends of the cross-strap to the strap guide assemblies **145a** and **145b**, the wearer must maintain his or her knee in approximately thirty degrees of flexion. Moreover, the cross-strap must be applied to fit snugly around the wearer's knee but not so tightly as to be uncomfortable.

During use of the knee brace assembly **20**, when the wearer's leg is fully flexed, the quadriceps muscle exerts only a relatively slight anterior displacement force on the tibia. This displacement force increases significantly as the wearer extends his or her leg closer and closer toward the fully extended position. It can be readily seen that when wearing the brace **20**, as the wearer begins to extend his or her leg **25** towards full extension, the cross-strap **50** tightens geometrically around the wearer's knee **35** above and below the joint line and also applies posteriorly directed pressure to the anterior portion of the wearer's tibia just below the knee.

The posteriorly directed pressure exerted against the tibia by the cross-strap **50** restrains anterior translation of the tibia.

At this juncture, it is important to point out that anterior tibial translation can result from a number of causes other than displacement forces created by the quadriceps muscle. For example, anterior tibial translation can result from force exerted against the tibia when the wearer is engaged in physical activity that involves sudden turning to the left or right, sudden stopping, jumping and running backwards. The posteriorly directed pressure exerted against the tibia by the cross-strap **50** will restrain anterior translation of the tibia during such physical activity.

At the same time, the cross-strap **50** applies a tensile force upon the strap guide assemblies **145a** and **145b** urging them to move from their normally biased proximal extreme to their distal extreme. As the strap guide assemblies move towards the distal extreme, the elastic bands **160**, **185** will stretch and exert a counteractive tensile force upon the strap guide assemblies resistive to their distal movement. The movement of the strap guide assemblies enables the wearer to straighten his or her leg into full extension while applying increasing amounts of pressure to the wearer's tibia just below the knee.

Referring now to FIGS. **8** and **14**, there is shown at **300** a second embodiment of the dynamic orthopedic knee brace assembly of the present invention. As best shown in FIG. **14**, the knee brace assembly **300** shown therein comprises three basic parts: a bracing component **305**, a cross-strap **310** and a sleeve **315**. The knee brace assembly **300** functions to counteract anterior shifting of the tibia that can occur during physical activities that involve sudden turning to the right or left, sudden stopping, jumping or running backwards when the anterior cruciate ligament in the illustrated leg is missing or damaged.

As best shown in FIGS. **8** and **14**, the bracing component **305** comprises a pair of elongated rigid thigh support members **320** and **325** extending along medial and lateral sides of the thigh, respectively, and a pair of elongated rigid lower leg support members **330** and **335** extending along the medial and lateral sides of the wearer's leg portion below the knee, respectively. The inner ends of the thigh and lower leg support pairs are pivotally interconnected by means of a pair of polycentric hinges **340**. The thigh support members **320**, **325**, lower leg support members **330**, **335** and polycentric hinges **340** are made of any suitable lightweight material, e.g., carbon fiber filament, thermosensitive carbon composite materials. Preferably, these components are fabricated from a material that is water resistant and non-corrosive to enable the wearer to use the knee brace assembly in a full range of activities including working, walking, and vigorous athletics. The polycentric hinges **340** are padded on the inside surface by a durable non-allergenic foam pad **345**.

As best shown in FIGS. **8** and **14**, the support members are releasably secured to the wearer's leg (not shown) above and below the knee by means of straps shown generally at **350**, **352**, **355**, **360**, **362**, **365** and **367**. Referring now to FIG. **9**, a top view of the knee brace assembly **300** is shown therein illustrating the manner in which the straps **350** and **352** releasably secure the rigid thigh support members **320** and **325** to the wearer's thigh. The straps **350** and **352**, shown therein, each include a VELCRO® hook segment **351** disposed at each end thereof. One end of the strap **350** is slipped through and looped around an elongated slot **375** located in the thigh support member **320** while the other end of the strap **350** is slipped through and looped around an elongated slot **380** located in the thigh support member **325**.

One end of the strap **352** is slipped through and looped around an elongated slot **385** located in the lateral thigh support member **320** while the other end of the strap **352** is slipped through and looped around an elongated slot **390** located in the medial thigh support member **325**. Each end of the straps **350** and **352** is then folded back onto itself so that the hook segments **351** releasably engage VELCRO® loop segments secured, e.g., sewn, to the outer surface of the straps **350** and **352** thereby permitting the straps **350** and **352** to be tightened or loosened for comfort. Referring now to FIGS. **8** and **14**, the strap **355** slips through and loops around elongated slots **381** and **386** and releasably engages to itself in the manner in which strap **350** and **352** releasably engage.

Referring now to FIG. **8**, straps **355**, **360**, **362**, **365** and **367** releasably secure the rigid lower leg support members **330** and **335** to the wearer's leg portion below the knee in a manner similar to that described above in connection with releasable attachment of the rigid thigh support members to the wearer's thigh using straps **350**, **352** and **355**.

Referring now to FIGS. **8** and **14**, the rigid thigh support member **320** includes a vertically oriented elongated slot **395** in which a strap guide assembly **400** is slidably mounted. Similarly, the rigid thigh support member **325** includes a vertically oriented elongated slot **396** in which a strap guide assembly **405** is slidably mounted. The strap guide assemblies **400** and **405** each include a ring portion **410** trapped within a bracket portion **415**. As best shown in FIGS. **10** and **11**, the bracket portion **415** of each strap guide assembly **400** and **405** is disposed over the outside surface of the thigh support members **320** and **325**. As best shown in FIGS. **8** and **13**, each strap guide assembly **400** and **405** also includes a leaf spring **420** disposed on the inside surface of the thigh support members **320** and **325**. As best shown in FIGS. **11** and **14**, the bracket portion **415** and one end of the leaf spring portion **420** of the strap guide assemblies **400** and **405** are secured together and mounted on opposite sides of the elongated slots **395** and **396** by means of a rivet assembly **425** that enables the strap guide assemblies **400** and **405** to slidably move within the slots **395** and **396** between two extremes: a distal extreme, as shown in FIGS. **8** and **13**, and a proximal extreme (not shown).

Referring now to FIGS. **13** and **14**, as previously mentioned, one end of the leaf spring **420** is secured to the strap guide assemblies **400** and **405** by means of a rivet **425**. At its other end, the leaf springs **420** is anchored to the inside surface of the rigid thigh support members **320** and **325** by means of a rivet assembly **430**. In this manner, the leaf spring **420** serves as a means for normally biasing the strap guide assemblies **400** and **405** to the proximal extreme within the vertically oriented slots **395** and **396**, respectively. At this juncture it is important to point out that rather than a leaf spring, alternative means could be employed for biasing the strap guide assemblies towards the proximal extreme, e.g., a coiled spring, an elastic band, a rubber band, etc.

Referring now to FIGS. **8** and **14**, the prosthetic sleeve **315** is provided to assist in the attachment of the cross-strap **310** and may be constructed of any suitable material, e.g., one-eighth inch thick neoprene having a plush outer surface and a smooth neoprene inner surface. The sleeve **315** shown is a full patella support sleeve which wraps around and secures to the wearer's thigh and calf above and below the wearer's knee. As best shown in FIG. **14**, the sleeve **315** is provided with a laterally extending attachment strap **316** on which a VELCRO® hook segment is disposed. The sleeve **315** also provides a patella opening **317** through which the knee can protrude when the sleeve **315** is worn. Once the

sleeve **315** is wrapped around the wearer's leg, the attachment strap **316** releasably engages the plush outer surface of the sleeve **315** to be tightened or loosened for comfort.

The cross-strap **310** is formed of a non-elastic flexible web using any suitable material, e.g., nylon, and comprises free ends, an interior surface, shown in FIG. **14** and an exterior surface, hidden from view in FIG. **14**. The interior surface comprises VELCRO® loop segments **440** secured thereto by any suitable means, e.g., sewing, and a centrally located VELCRO® hook patch **435** also secured thereto by any suitable means, e.g., sewing. The hook patch **435** is arranged for releasable securement with the plush exterior surface of the sleeve **315** just below the patella opening **317** of the sleeve **315**. This position, as best illustrated by the dotted line **399** in FIG. **14**, corresponds with the wearer's tibia. The exterior surface of the cross-strap **310** comprises VELCRO® hook patches **445** at the free ends thereof and a VELCRO® loop segment (not shown) extending therebetween. The cross-strap **310** is also provided with a pad **359** slidably mounted thereon to be positioned behind the wearer's knee when the cross-strap **310** is releasably secured to the wearer's leg.

Once the cross-strap **310** is releasably secured to the sleeve **315** at the location described above and illustrated in FIG. **14**, i.e., just below the patella opening **317**, the bracing component **305** is releasably secured to the wearer's thigh and leg portion below the knee using straps **350**, **352**, **355**, **360**, **362**, **365** and **367**. Thereafter, the free ends of the cross-strap **310** are crossed behind the wearer's knee and slipped through and looped around the ring portions **410** of the pivotally mounted strap guide assemblies **400** and **405**. Each free end of the cross-strap **310** is then folded back onto itself so that the hook patches **445** releasably engage the loop segment secured thereby permitting the cross-strap **310** to be tightened or loosened for comfort.

During use of the knee brace assembly **300**, when the wearer's leg is fully flexed, the quadriceps muscle exerts only a relatively slight anterior displacement force on the tibia. This displacement force increases significantly as the wearer extends his or her leg closer and closer toward the fully extended position. It can be readily seen that when wearing the brace **300**, as the wearer begins to extend his or her leg towards full extension, the cross-strap **310** tightens geometrically around the wearer's knee above and below the joint line and also applies posteriorly directed pressure to the anterior portion of the wearer's tibia just below the knee. This posteriorly directed pressure exerted against the tibia by the cross-strap **310** restrains anterior translation of the tibia.

At this juncture, it is important to point out that anterior tibial translation can result from a number of causes other than displacement forces created by the quadriceps muscle. For example, anterior tibial translation can result from force exerted against the tibia when the wearer is engaged in physical activity that involves sudden turning to the left or right, sudden stopping, jumping and running backwards. The posteriorly directed pressure exerted against the tibia by the cross-strap **310** will restrain anterior translation of the tibia during such physical activity.

At the same time, the cross-strap **310** applies a tensile force upon the strap guide assemblies **400** and **405** urging them to move from their normally biased proximal extreme to their distal extreme. As best shown in FIG. **13**, as the strap guide assemblies move towards the distal extreme, the leaf springs **420** will compress and exert a counteractive tensile force upon the strap guide assemblies resistive to their distal

movement. The movement of the strap guide assemblies enables the wearer to straighten his or her leg into full extension while exerting additional counteractive force to prevent anterior translation of the tibia.

I claim:

1. A knee brace assembly for restricting anterior translation of a wearer's tibia, the wearer also having a leg including a thigh, a knee and a leg portion below the knee, said knee brace assembly comprising:

- a. first means for engaging the wearer's thigh, said first means comprising a lateral portion positioned over the lateral side of the wearer's thigh and a medial portion positioned over the medial side of the wearer's thigh, said lateral and medial portions each having a slot extending there along;
- b. second means for engaging the wearer's leg portion below the knee;
- c. hinging means linked to said first and second means to permit pivotal movement of said first means relative to said second means;
- d. strap guiding means slidably mounted within each of said slots, said strap guiding means being arranged to slide between a proximal extreme when the wearer's leg is in flexion towards a distal extreme as the wearer extends his or her leg;
- e. biasing means resiliently biasing said movable strap guides towards said proximal extreme; and,
- f. a cross-strap provided for engagement with the wearer's leg, said cross-strap comprising free ends and a length therebetween, a portion of said length comprising tibial pressure application means, said cross-strap being attachable over the wearer's leg with said tibial pressure application means located over the wearer's tibia, said cross-strap wrapping behind the wearer's knee in a crisscross manner, the free ends of said cross-strap being attachable to said strap guiding means and in response to extension of the wearer's leg said cross-strap tightening geometrically around the wearer's knee and pulling said strap guiding means from said proximal extreme towards said distal extreme thus enabling said tibial pressure application means to provide resistance to the anterior movement of the tibia.

2. The knee brace assembly of claim **1** wherein said first means comprises a proximal cuff engageable with the wearer's thigh and wherein said second means comprises a distal cuff engageable with the wearer's leg portion below the knee.

3. The knee brace assembly of claim **2** wherein said proximal cuff additionally comprises an arcuate portion for engagement with the anterior portion of the wearer's thigh and said distal cuff additionally comprises an arcuate portion for engagement with the anterior portion of the wearer's leg below the knee.

4. The knee brace assembly of claim **2** wherein said medial and lateral portions of said proximal cuff and said medial and lateral portions of said distal cuff are pivotally connected to said hinging means.

5. The knee brace assembly of claim **2** wherein said biasing means comprises an elastic band anchored at one end to said proximal cuff, said elastic band being connected at its opposite end to said strap guiding means.

6. The knee brace assembly of claim **2** wherein said biasing means comprises a spring anchored at one end to said proximal cuff, said spring being connected at its opposite end to said strap guiding means.

7. The knee brace assembly of claim **6** wherein said spring is a leaf spring.

8. The knee brace assembly of claim 2 wherein said proximal cuff additionally comprises a longitudinal axis, said slots extending parallel to said longitudinal axis.

9. The knee brace assembly of claim 2 wherein said proximal and distal cuffs are formed of lightweight, high-impact thermoplastic material.

10. The knee brace assembly of claim 2 wherein said proximal and distal cuffs are formed of a carbon fiber filament material.

11. The knee brace assembly of claim 2 additionally comprising a sleeve encircling the wearer's leg below the knee, said cross-strap being releasably attachable over said sleeve.

12. The knee brace assembly of claim 11 wherein said distal cuff is engageable with the wearer's leg over said suspension sleeve.

13. The knee brace assembly of claim 2 additionally comprising adjustably tightenable first strap means for engaging said proximal cuff to the wearer's thigh and adjustably tightenable second strap means for engaging said distal cuff to the wearer's leg portion below the knee.

14. The knee brace assembly of claim 13 wherein each of said first and second strap means includes an elastic segment.

15. The knee brace assembly of claim 1 wherein each of said medial and lateral portions comprises a rigid thigh support member engageable with the wearer's thigh and wherein said second means comprises a pair of rigid calf support members engageable with the wearer's leg portion below the knee.

16. The knee brace assembly of claim 1 wherein said cross-strap is non-elastic and adjustably tightenable to selectively vary the magnitude of said force counteractive to abnormal anterior movement of the tibia.

17. The knee brace assembly of claim 1 wherein said hinging means comprises a pair of hinges positioned over the medial and lateral sides of the wearer's knee.

18. The knee brace assembly of claim 17 wherein said proximal and distal cuffs and said hinges are lined with non-allergenic foam padding for direct engagement with the wearer's skin.

19. The knee brace assembly of claim 17 wherein said hinges are polycentric hinges.

20. The knee brace assembly of claim 1 wherein said strap guide means are pivotable.

21. The knee brace assembly of claim 1 wherein said cross-strap is adjustable.

22. A knee brace assembly for restricting anterior translation of a wearer's tibia, said knee brace assembly comprising:

a. a rigid, inelastic upper cuff adapted to be secured to the thigh;

b. a rigid, inelastic lower cuff adapted to be secured to the leg below the knee;

c. a hinge connecting said upper and lower cuffs to permit rotational movement of said upper cuff relative to said lower cuff;

d. a strap comprising a pair of free ends and an intermediate section therebetween, said intermediate section of said strap being attachable over the wearer's

tibia at a location below said hinge and interior of the lower cuff, said strap crossing upon itself, said free ends of said strap attaching to said upper cuff, said strap being arranged to tighten geometrically around the wearer's knee in response to extension of the wearer's leg to apply a force thereto, said force providing resistance to the anterior movement of the tibia.

23. The knee brace assembly of claim 22 wherein said strap is formed of a non-elastic flexible web and is adjustably tightenable to selectively vary the magnitude of said force counteractive to abnormal anterior movement of the tibia.

24. The knee brace assembly of claim 22 additionally comprising a sleeve adapted to encircle the wearer's leg below the knee, said strap being releasably securable over said sleeve.

25. The knee brace assembly of claim 22 wherein said cuff additionally comprises a plurality of rings attached thereto, said strap being securable to said cuff by slipping said free ends thereof through said rings and looping said free ends therearound.

26. The knee brace assembly of claim 24 wherein said sleeve comprises a plush exterior surface and wherein said strap includes a hook patch disposed on the length thereof, said hook patch being releasably securable to the plush exterior surface of said sleeve at a position that lies over the wearer's tibia just below the wearer's knee.

27. The knee brace assembly of claim 22 additionally comprising a plurality of straps for securing said cuff to said thigh.

28. A knee brace assembly for restricting anterior translation of a wearer's tibia, said knee brace assembly comprising:

a. a pair of supports, one of said pair adapted to be secured to the medial side of the leg, the other of said pair adapted to be secured to the lateral side of the leg, each of said pair of supports comprising a rigid, inelastic upper portion adapted to be secured to the thigh and a rigid, inelastic lower portion adapted to be secured to the leg below the knee, each of said pair of supports additionally comprising a hinge connecting said upper and lower portions to permit rotational movement of said upper portion relative to said lower portion;

b. a strap comprising a pair of free ends and an intermediate section therebetween, said intermediate section of said strap being attachable over the wearer's tibia at a location below said hinge and interior of the lower portion of said supports, said strap crossing upon itself, said free ends of said strap attaching to said upper portion, said strap being arranged to tighten geometrically around the wearer's knee in response to extension of the wearer's leg to apply a force thereto, said force providing resistance to the anterior movement of the tibia.

29. The knee brace assembly of claim 28 additionally comprising a plurality of straps for securing said pair of supports to the wearer's thigh.