



US00RE37201E

(19) **United States**
(12) **Reissued Patent**
Lai

(10) **Patent Number:** **US RE37,201 E**
(45) **Date of Reissued Patent:** **Jun. 5, 2001**

(54) **JEWELRY SETTING**

(75) Inventor: **Danny S. Lai**, New York, NY (US)

(73) Assignee: **Gramercy Jewelry Manufacturing Corp.**, New York, NY (US)

(21) Appl. No.: **29/112,527**

(22) Filed: **Oct. 18, 1999**

Related U.S. Patent Documents

Reissue of:

(64) Patent No.: **Des. 403,611**
Issued: **Jan. 5, 1999**
Appl. No.: **29/072,601**
Filed: **Jun. 20, 1997**

(51) **LOC (7) Cl.** **11- 01**
(52) **U.S. Cl.** **D11/91**
(58) **Field of Search** D11/1, 2, 36, 48,
D11/75-76, 86-98, 91, 92; 63/1.1, 2, 13,
26, 27, 29 R, 15-15.8; 128/329

(56) **References Cited**

U.S. PATENT DOCUMENTS

D. 275,660 * 9/1984 Carroll D11/86

D. 337,741 * 7/1993 Garfolo D11/86
554,870 * 2/1896 Heppding 63/27
3,014,354 * 12/1961 McCary 63/27

* cited by examiner

Primary Examiner—Ralf Seifert

(74) *Attorney, Agent, or Firm*—Baker Botts, L.L.P.

(57) **CLAIM**

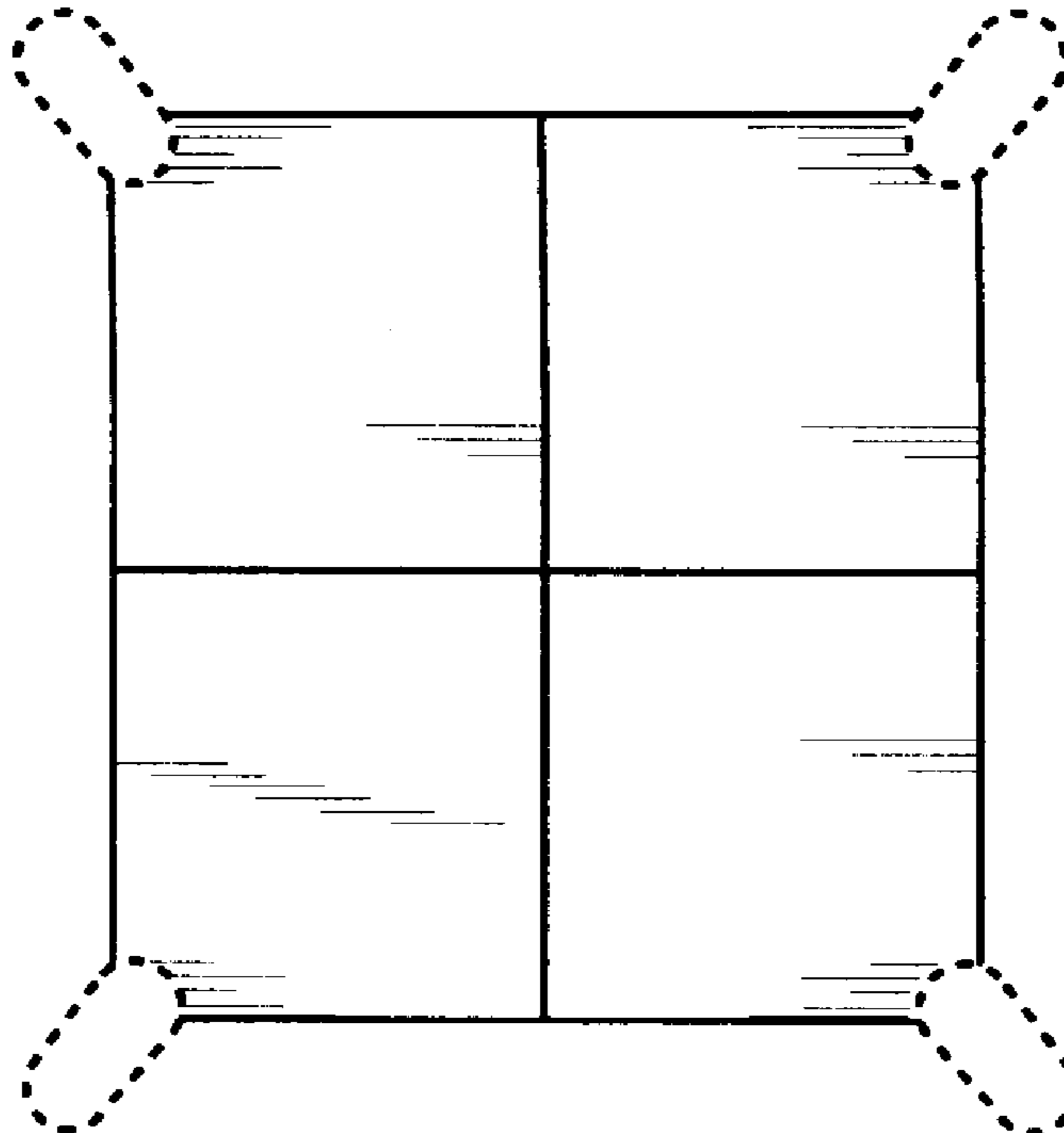
The ornamental design for a jewelry setting, as shown and described.

DESCRIPTION

FIG. 1 is a top plan view of a jewelry setting showing my [new] design;
FIG. 2 is a bottom plan view of the jewelry setting of FIG. 1; and,
FIG. 3 is a right side elevational view of the jewelry setting of FIG. 1, the left side being a mirror image thereof.

1 Claim, 1 Drawing Sheet

Matter enclosed in heavy brackets [] appears in the original patent, but forms no part of this reissue; matter printed in italics indicates the additions made by reissue.



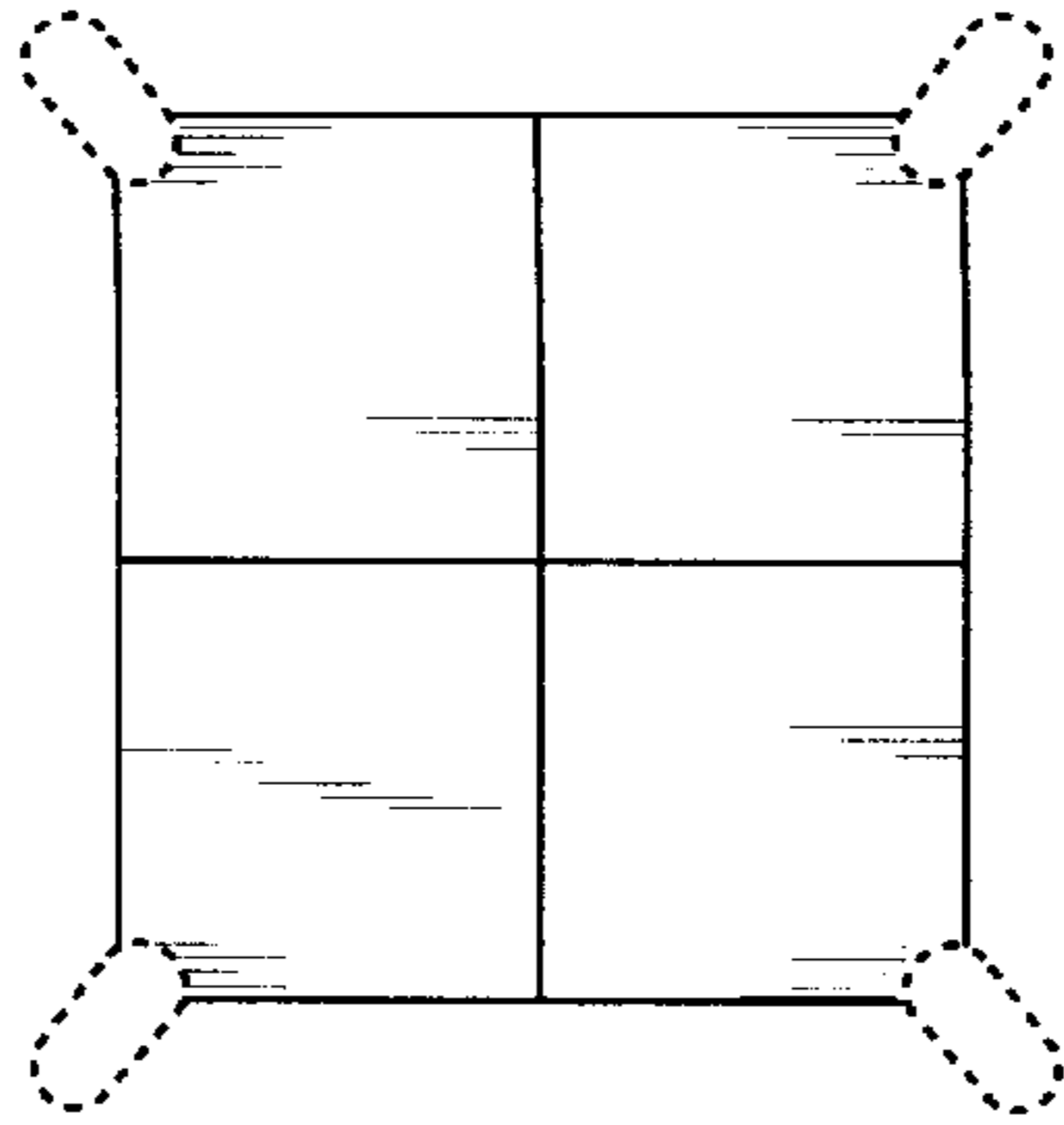


FIG. 1
(AMENDED)

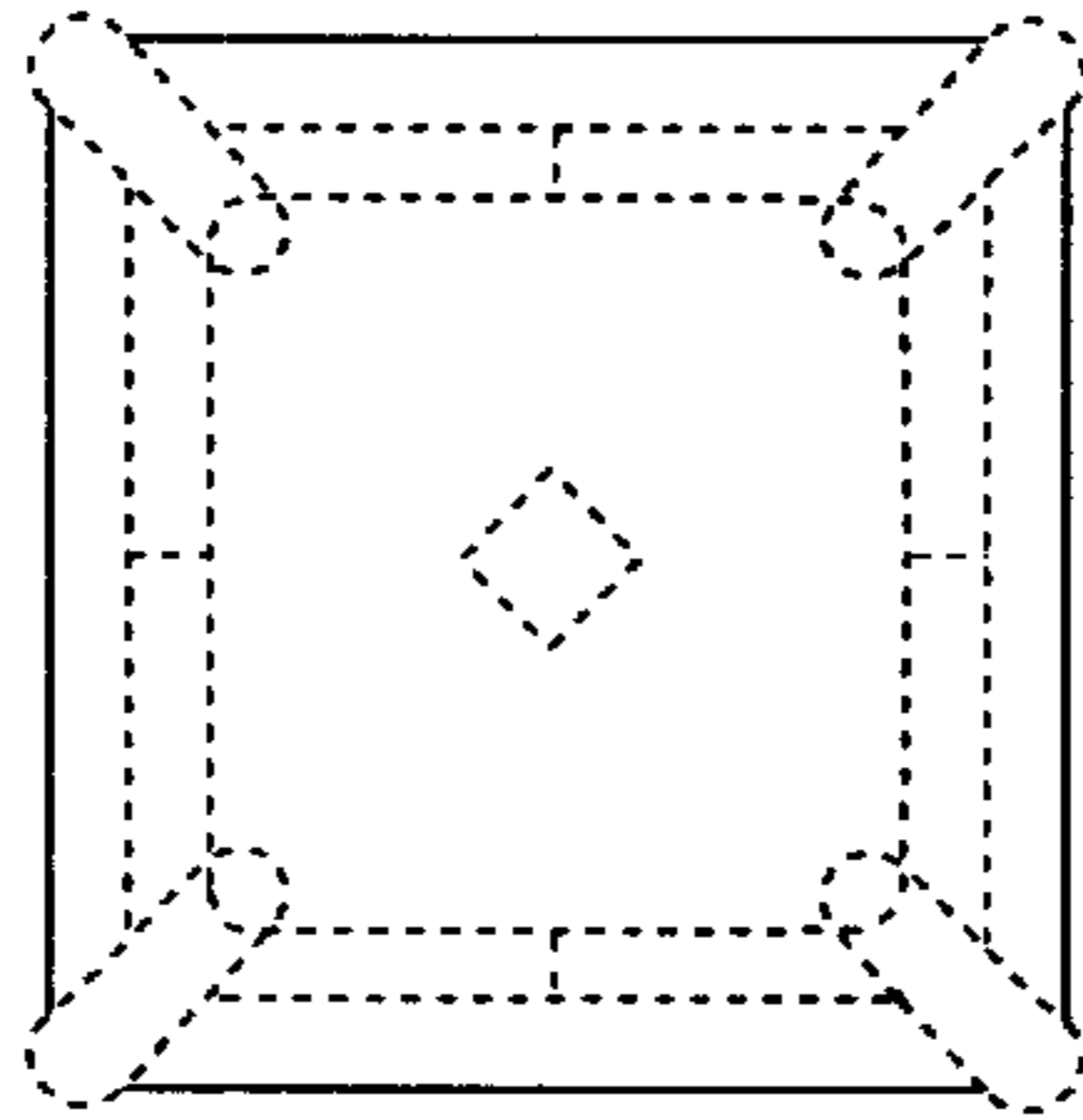


FIG. 2
(AMENDED)

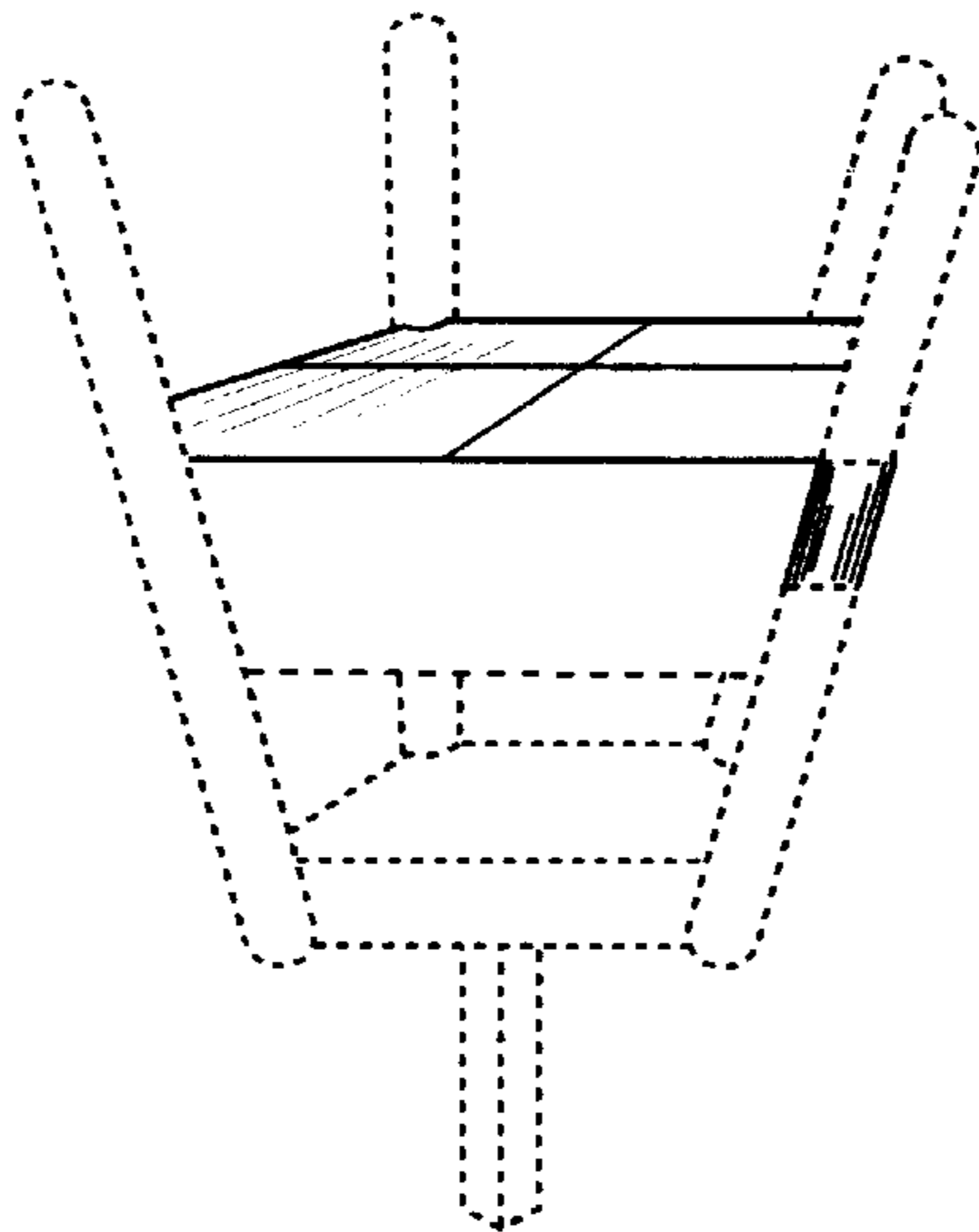


FIG. 3
(AMENDED)

UNITED STATES PATENT AND TRADEMARK OFFICE
CERTIFICATE OF CORRECTION

PATENT NO. : RE 37,201 E
DATED : June 5, 2001
INVENTOR(S) : Lai

Page 1 of 1

It is certified that error appears in the above-identified patent and that said Letters Patent is hereby corrected as shown below:

Title page.

Item [56], **References Cited**, U.S PATENT DOCUMENTS, "D. 275, 660 *9/1984 Carroll", should be deleted.

Signed and Sealed this

Thirtieth Day of April, 2002

Attest:



Attesting Officer

JAMES E. ROGAN
Director of the United States Patent and Trademark Office