



US00RE37189E

(19) **United States**
(12) **Reissued Patent**
Lai

(10) **Patent Number:** **US RE37,189 E**
(45) **Date of Reissued Patent:** **May 29, 2001**

(54) **JEWELRY SETTING**

(75) Inventor: **Danny S. Lai**, New York, NY (US)

(73) Assignee: **Gramercy Jewelry Manufacturing Corp.**, New York, NY (US)

(21) Appl. No.: **29/112,625**

(22) Filed: **Oct. 19, 1999**

Related U.S. Patent Documents

Reissue of:

(64) Patent No.: **Des. 411,134**
Issued: **Jun. 22, 1999**
Appl. No.: **29/072,600**
Filed: **Jun. 20, 1997**

(51) **LOC (6) Cl.** **11-01**
(52) **U.S. Cl.** **D11/91; D11/91**
(58) **Field of Search** **D11/1, 2, 36, 48,**
D11/75-76, 86-88, 91, 92; 63/12, 13, 26,
27, 29 R, 15-15.8; 128/329

(56) **References Cited**

U.S. PATENT DOCUMENTS

D. 273,666 * 5/1984 Hayashi D11/1
D. 275,660 * 9/1984 Carroll D11/86
5,671,613 * 9/1997 Hoover et al. 63/27

OTHER PUBLICATIONS

Rio Grande Albuquerque 1991-1992 Catalog p. 51—upper right of page.*

* cited by examiner

Primary Examiner—Ralf Seifert

(74) *Attorney, Agent, or Firm*—Baker Botts, L.L.P.

(57) **CLAIM**

The ornamental design for a jewelry setting, as shown and described.

DESCRIPTION

FIG. 1 is a top plan view of a jewelry setting showing my new design;

FIG. 2 is a perspective view of FIG. 1, shown in one environment in which the design can be associated with;

FIG. 3 is a perspective view of [a jewelry setting showing a second embodiment of my new design as it applies to an earring] FIG. 1, shown in another environment in which the design can be associated with;

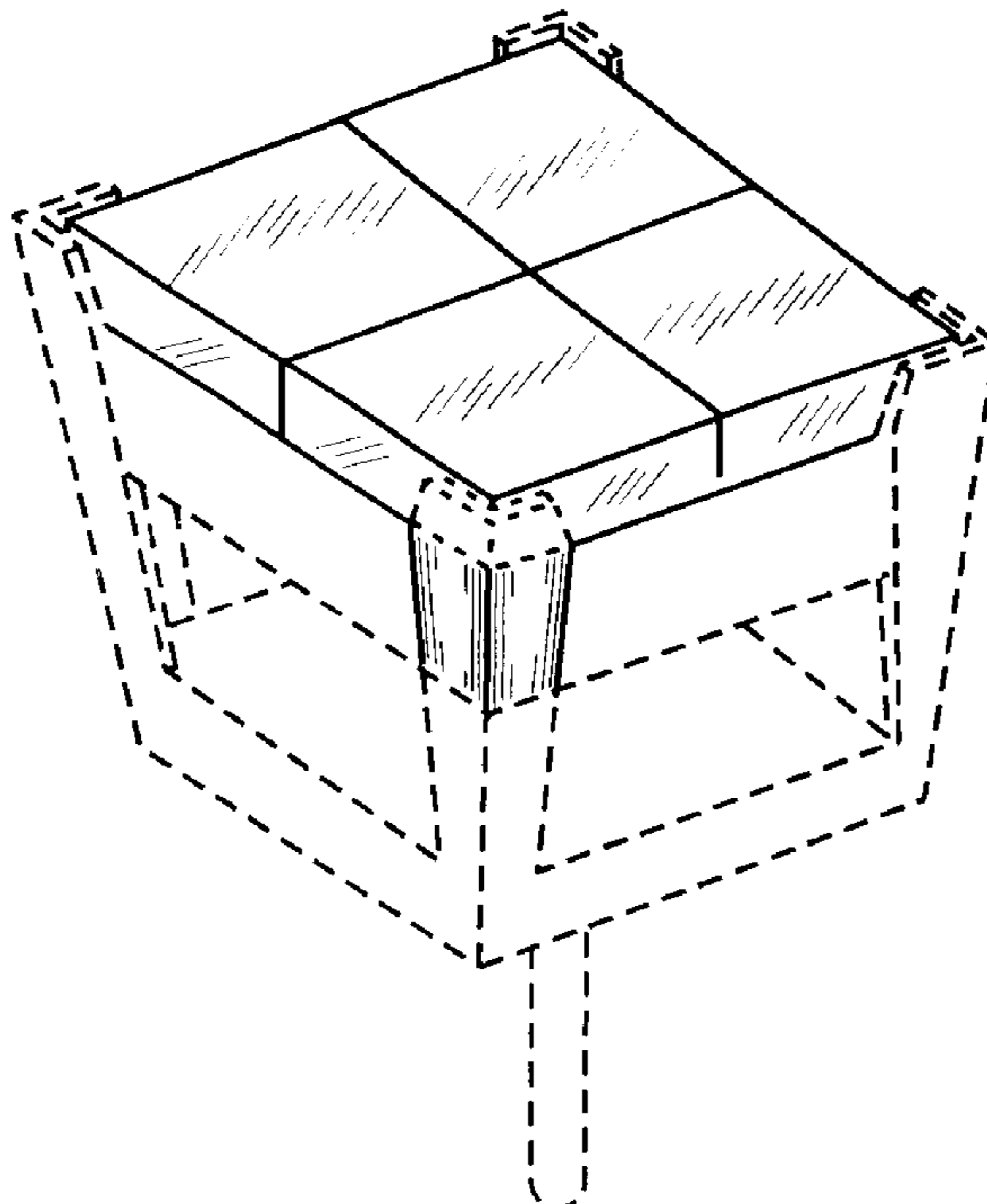
FIG. 4 is a bottom plan view of FIG. 1; and,

FIG. 5 is a [right side] perspective view of a jewelry setting showing a second embodiment of my new design[, the left side being a mirror image. It being understood that the bottom of FIG. 5 is plain and unornamented].

The broken line showing of a setting in FIGS. 1-5 is for illustrative purposes only and forms no part of the claimed design.

1 Claim, 2 Drawing Sheets

Matter enclosed in heavy brackets [] appears in the original patent, but forms no part of this reissue; matter printed in italics indicates the additions made by reissue.



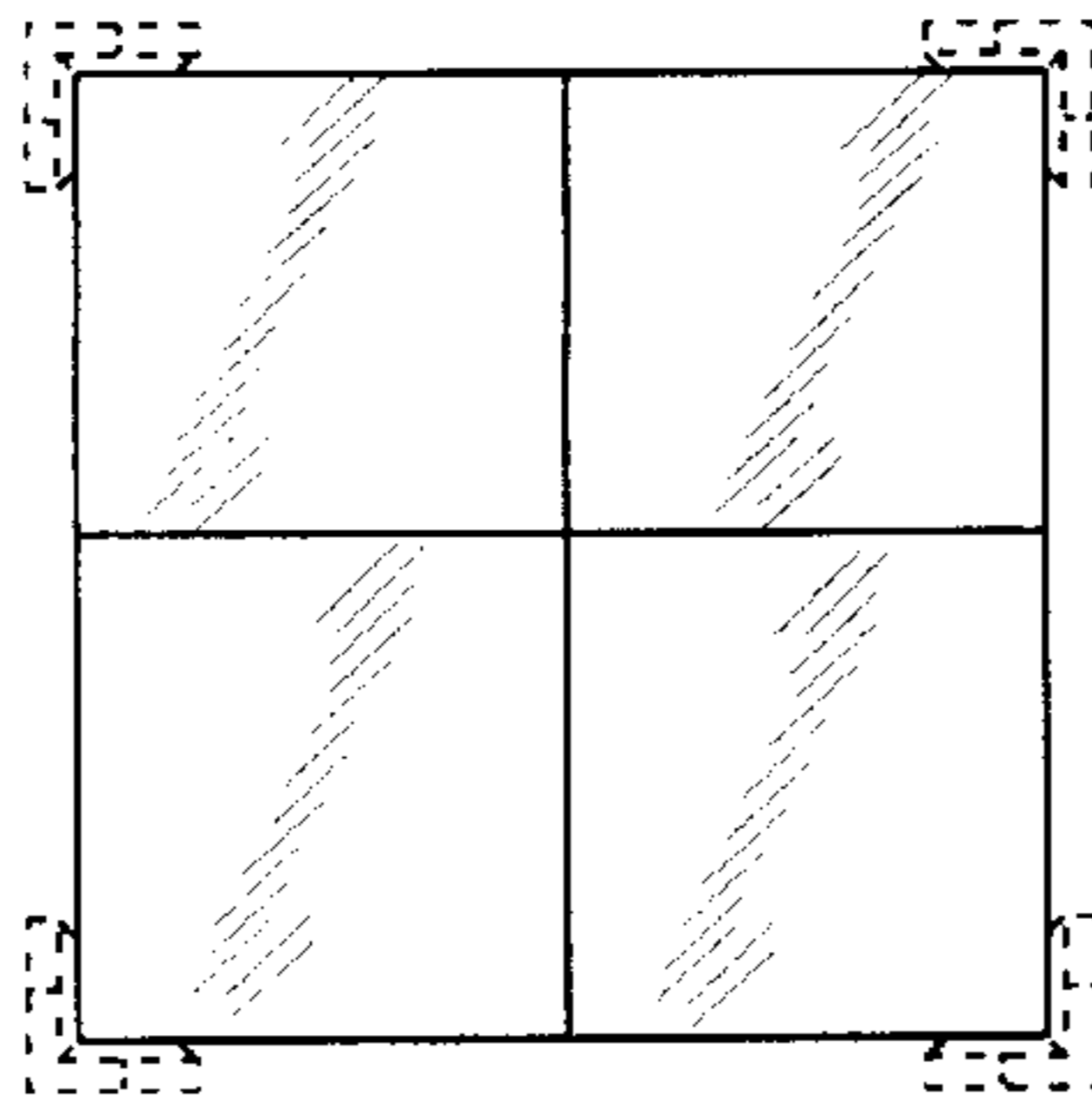


FIG. 1

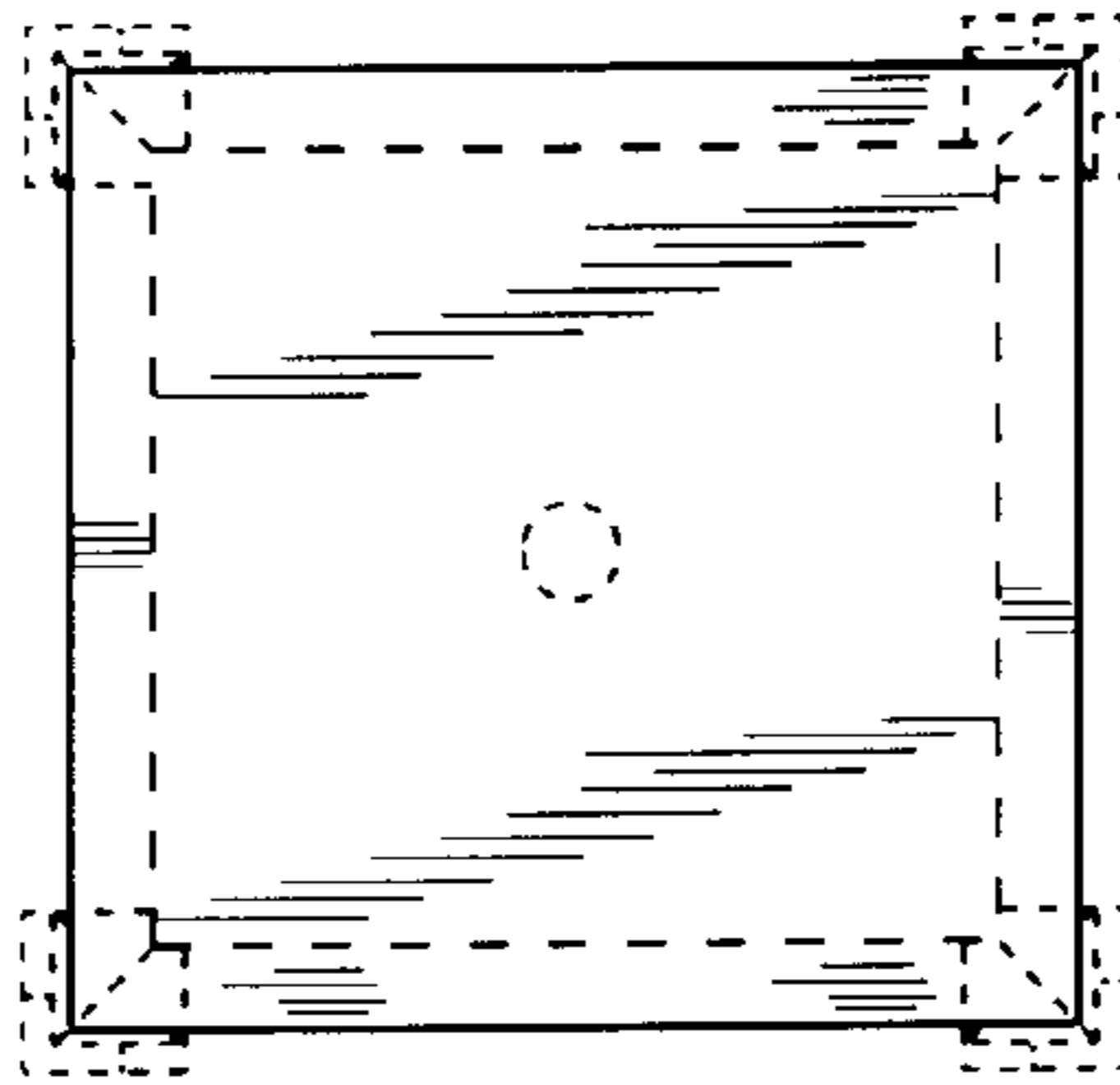


FIG. 4

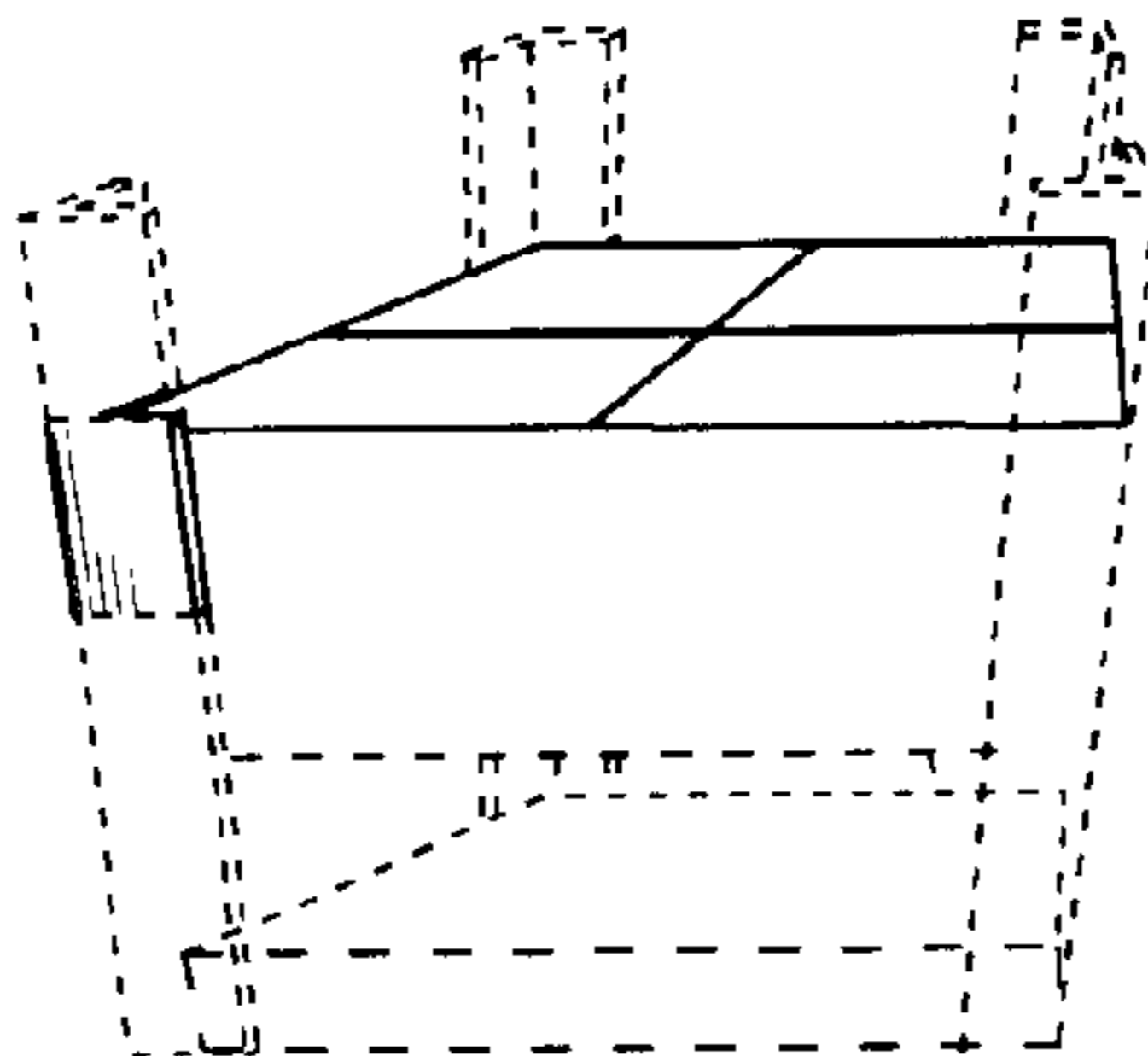


FIG. 5

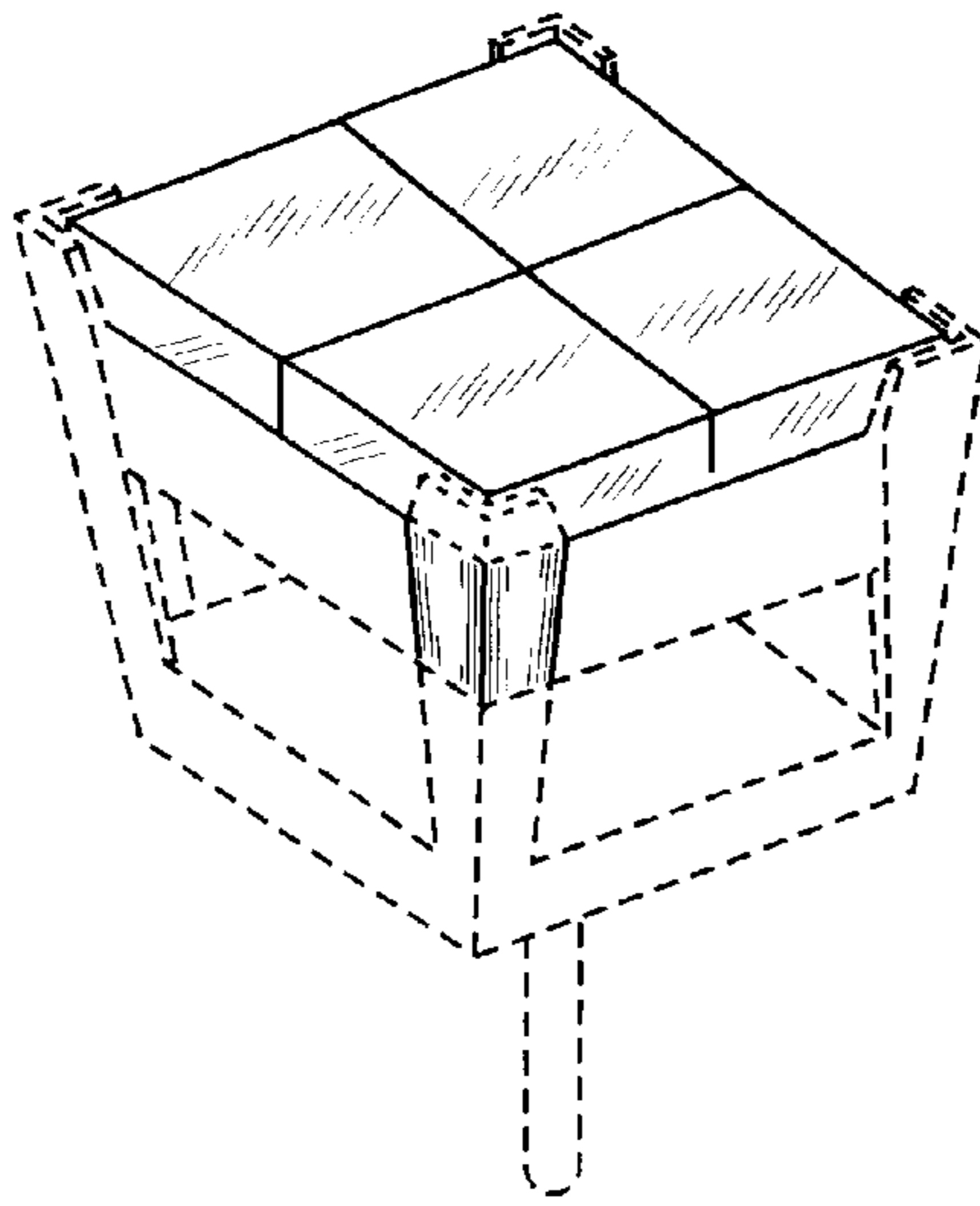


FIG. 2

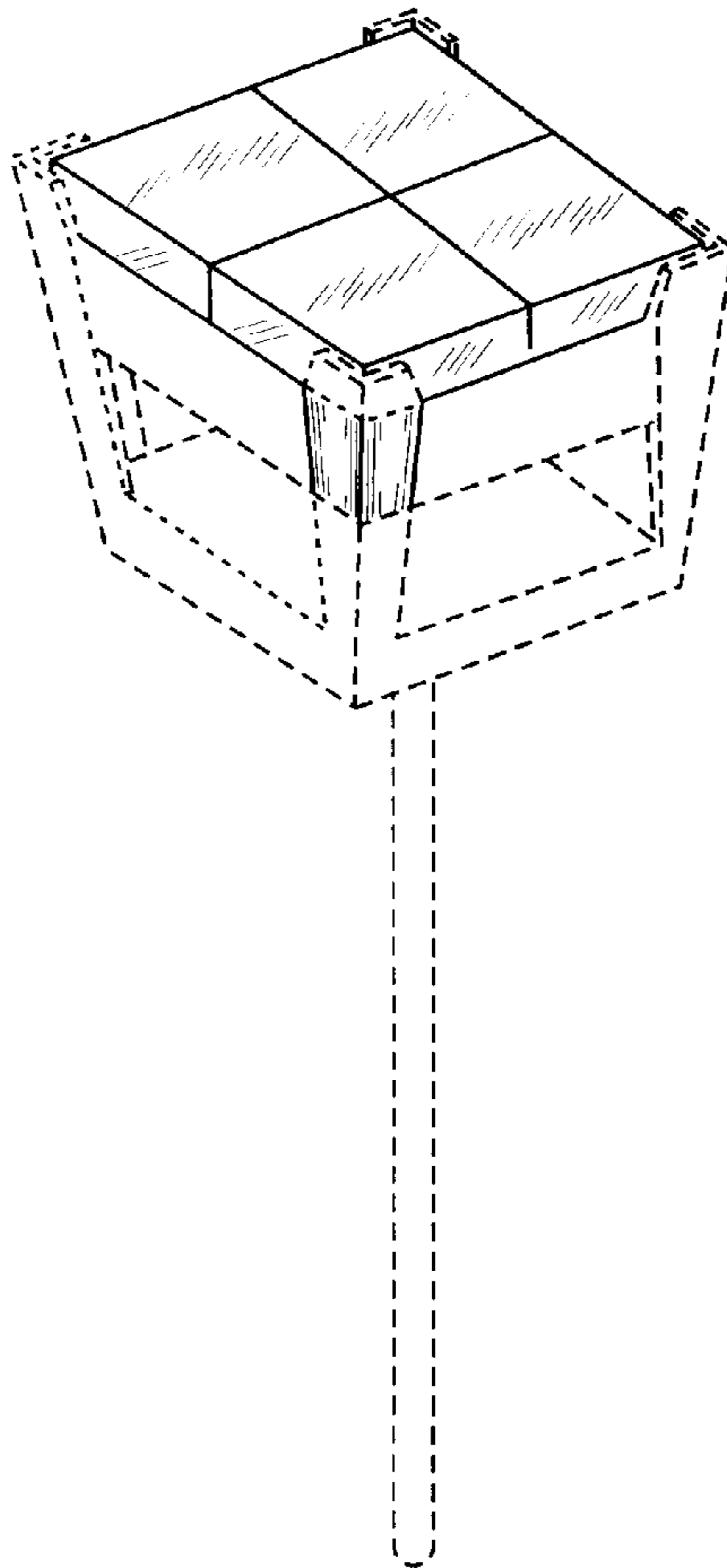


FIG. 3