



US00RE36845E

**United States Patent** [19]

[11] E

**Patent Number: Re. 36,845**

**Huppenthal et al.**

[45] **Reissued Date of Patent: Aug. 29, 2000**

[54] **HIGH DENSITY, HIGH BANDWIDTH, COAXIAL CABLE, FLEXIBLE CIRCUIT AND CIRCUIT BOARD CONNECTION ASSEMBLY**

5,453,750 9/1995 Battista et al. .... 333/260 X  
5,469,130 11/1995 Okada et al. .... 333/260 X  
5,664,952 9/1997 Mockett et al. .... 439/101

**OTHER PUBLICATIONS**

[75] Inventors: **Jon M. Huppenthal**, Colorado Springs, Colo.; **Steven E. Garcia**, League City, Tex.; **James A. Harden, Jr.**, Colorado Springs; **Catherine A. Herzog**, Longmont, both of Colo.

Agard et al., *Coaxial Cable To Printed Circuit Board Connector*, IBM Tech. Discl. Bulletin, vol. 13, No. 6, p. 1595 439/581, Nov. 1970.

Ken Gilileo (Editor), *Handbook of Flexible Circuits*, pp. 42-68 (authored by Joe Fjelstand and Ken Gilileo), 1992.

[73] Assignee: **Medallion Technology, LLC**, Houston, Tex.

*Primary Examiner*—Paul Gensler  
*Attorney, Agent, or Firm*—Baker & Botts, L.L.P.

[21] Appl. No.: **08/910,716**

[57] **ABSTRACT**

[22] Filed: **Aug. 13, 1997**

A connection assembly includes a coaxial cable to microstrip flexible circuit connector and a mating microstrip flex circuit to electronic circuit connector. The coaxial cable to microstrip flex circuit connector comprises a portion which is mechanically attached to the coaxial cable and a portion which is mechanically attached to the microstrip flex circuit. The coaxial cable attachment portion includes a first electrical connector electrically connected to the center conductor and a second electrical connector electrically connected to the shielding conductor of each coaxial cable. The microstrip flex circuit attachment portion includes a third electrical connector electrically connected to each trace and a fourth connector electrically connected to the ground plane conductor. The flex circuit to electrical circuit connector comprises a plurality of unsupported extensions of a trace or the ground plane conductor. The extensions are electrically connected to connection pads of a printed circuit board of an electronic circuit by a surface connection, and can be bent to opposite sides of the electronic circuit to reach connection pads on a printed circuit board.

**Related U.S. Patent Documents**

Reissue of:

[64] Patent No.: **5,509,827**  
Issued: **Apr. 23, 1996**  
Appl. No.: **08/342,850**  
Filed: **Nov. 21, 1994**

[51] **Int. Cl.**<sup>7</sup> ..... **H01R 9/05**; H01R 9/07; H01P 1/04

[52] **U.S. Cl.** ..... **439/638**; 333/260; 439/581

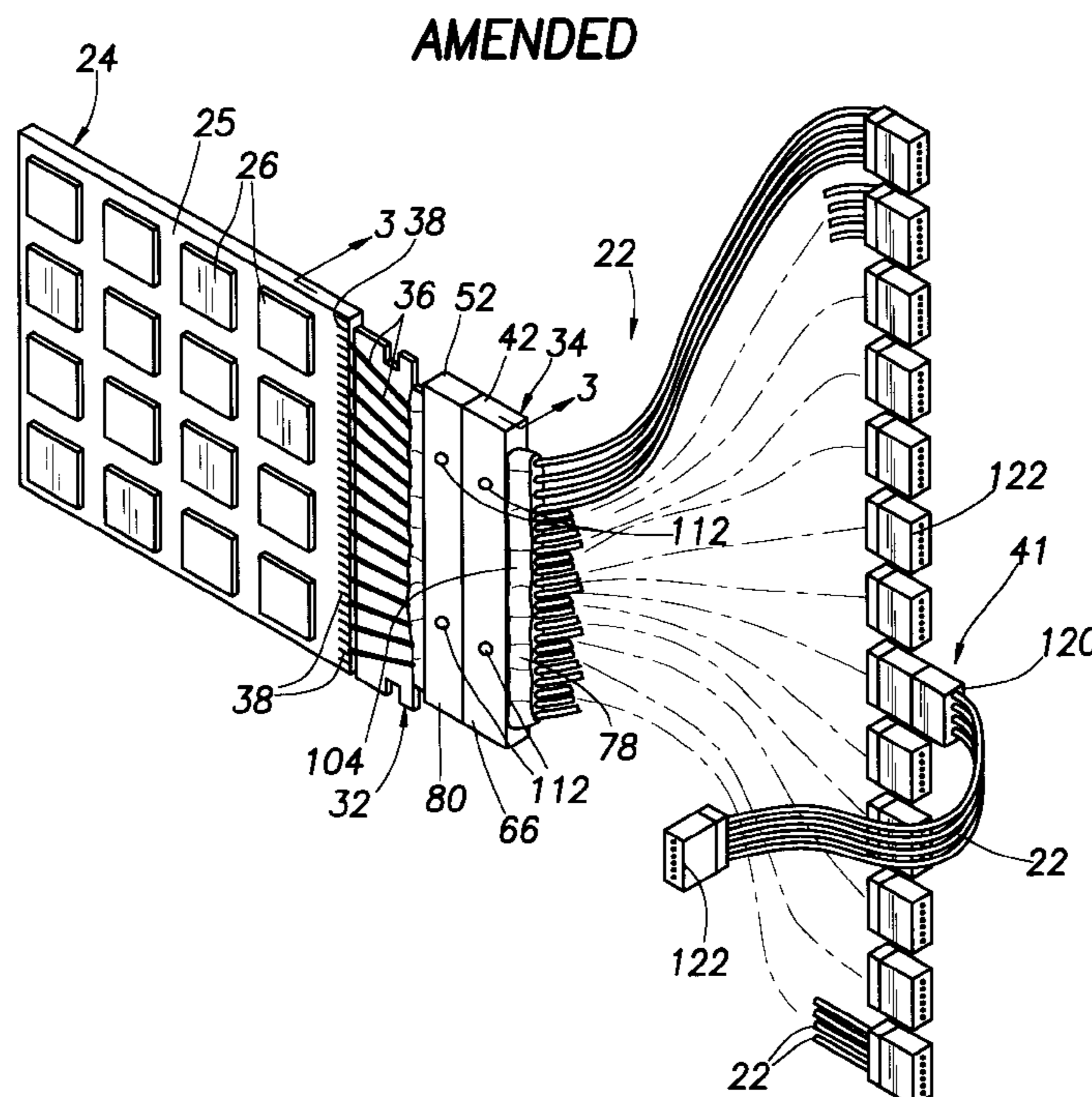
[58] **Field of Search** ..... 333/33, 246, 260; 439/59, 61, 63, 67, 77, 101, 108, 109, 579, 581, 638, 650, 651, 654

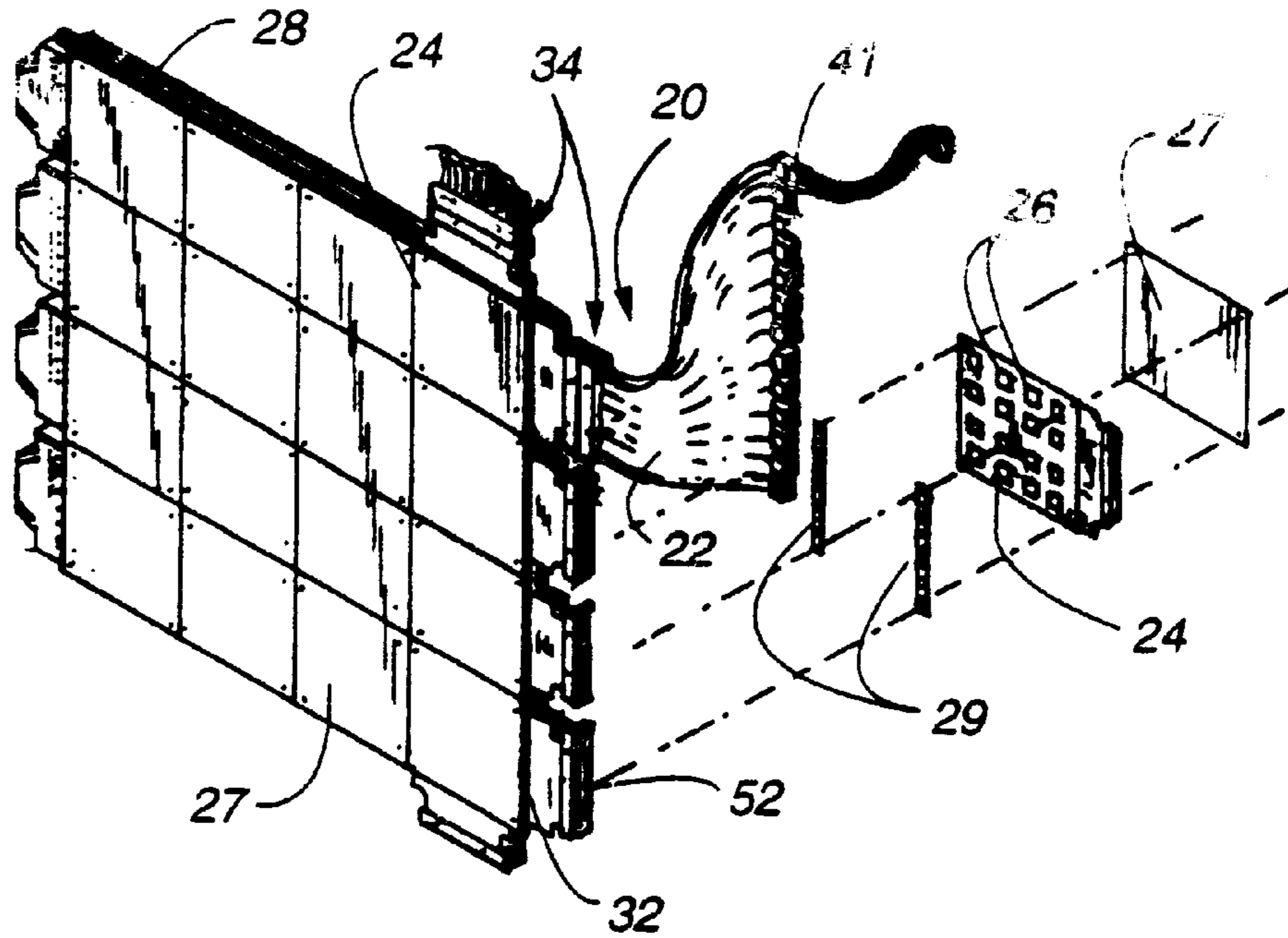
**References Cited**

**U.S. PATENT DOCUMENTS**

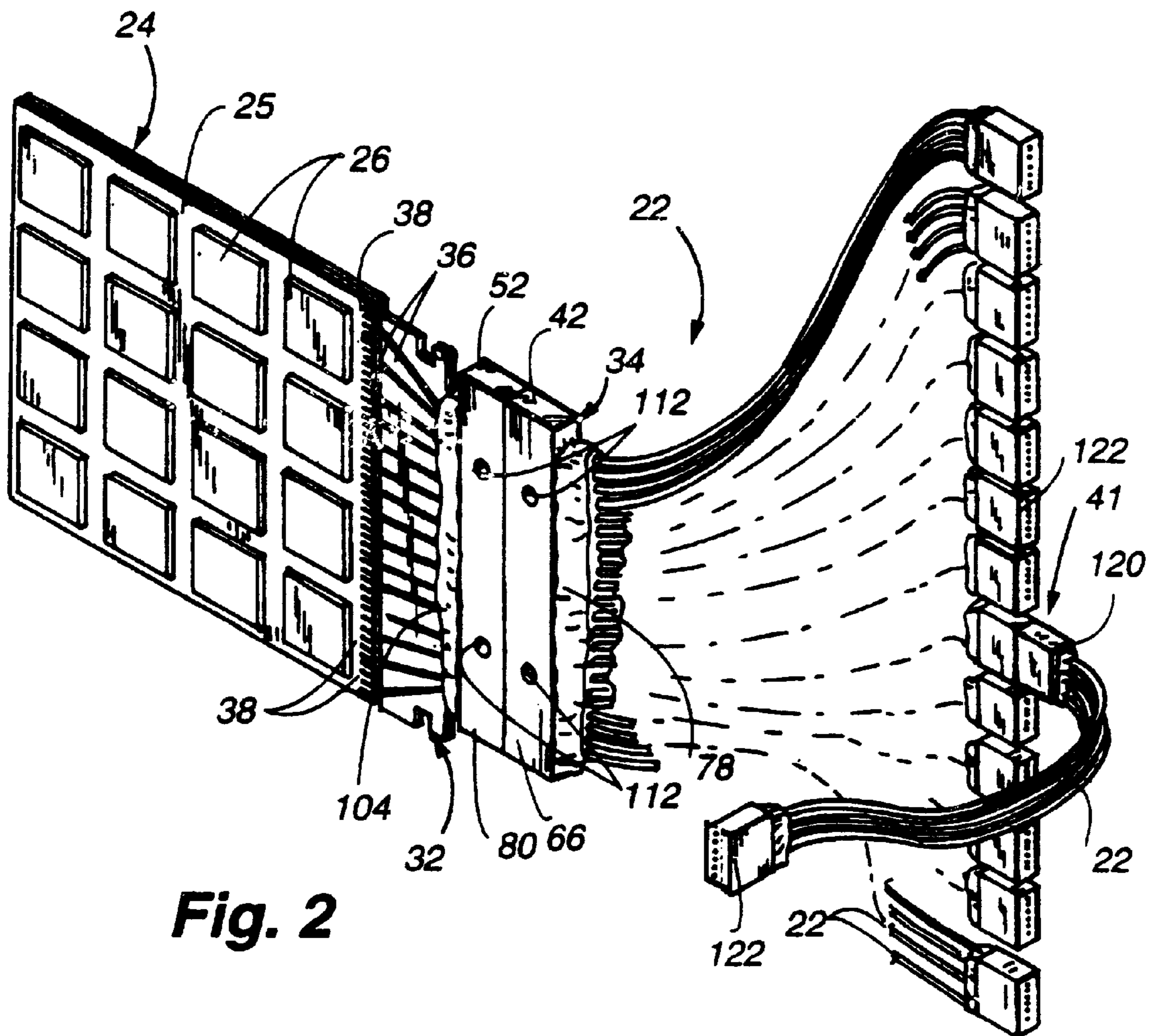
3,689,865 9/1972 Pierini et al. .... 439/581 X  
4,995,815 2/1991 Buchanan et al. .... 333/260 X  
5,194,020 3/1993 Voltz ..... 439/581 X  
5,441,419 8/1995 Takazawa et al. .... 439/67 X

**34 Claims, 10 Drawing Sheets**





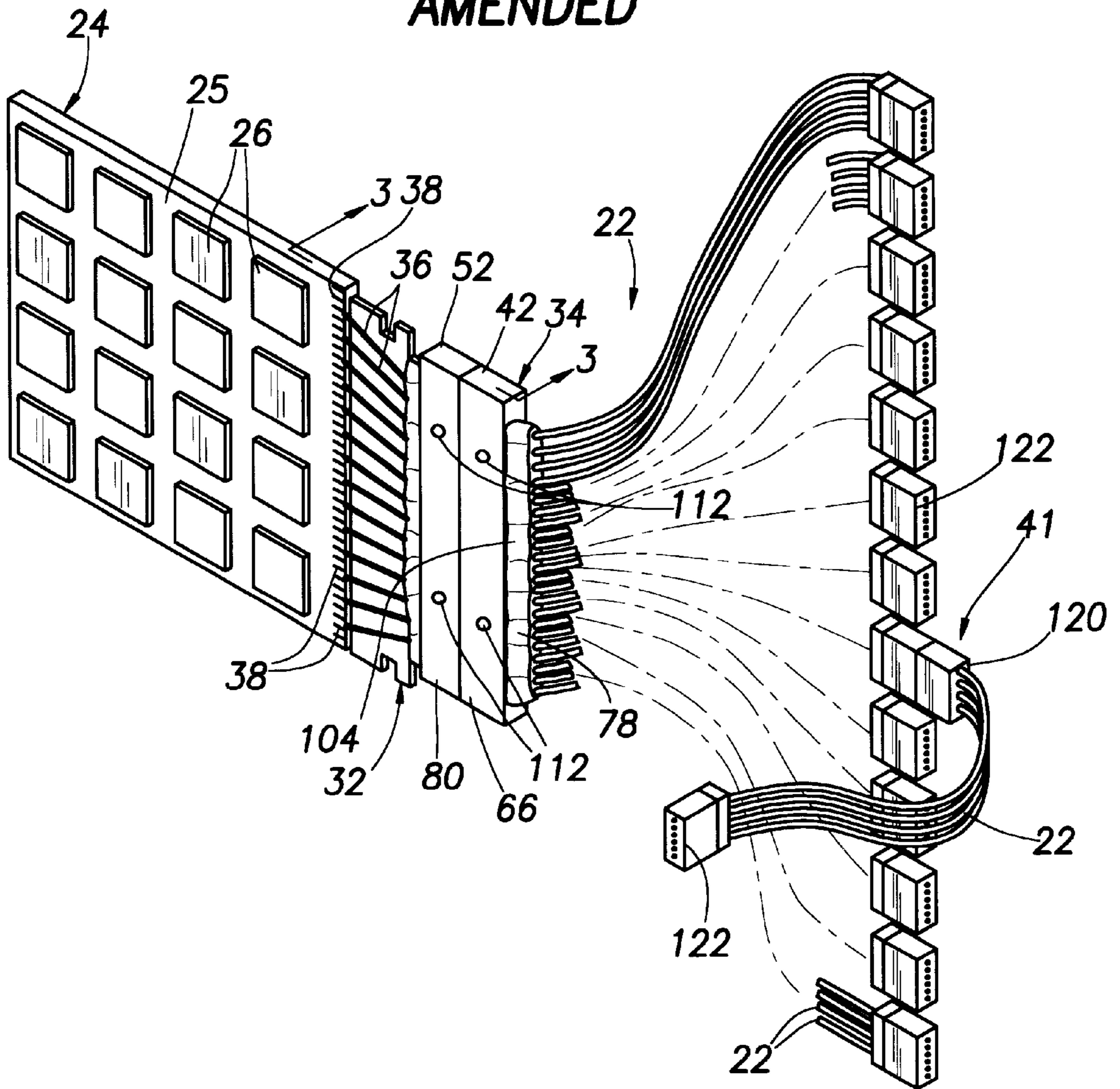
**Fig. 1**



**Fig. 2**



**Fig.2**  
**AMENDED**



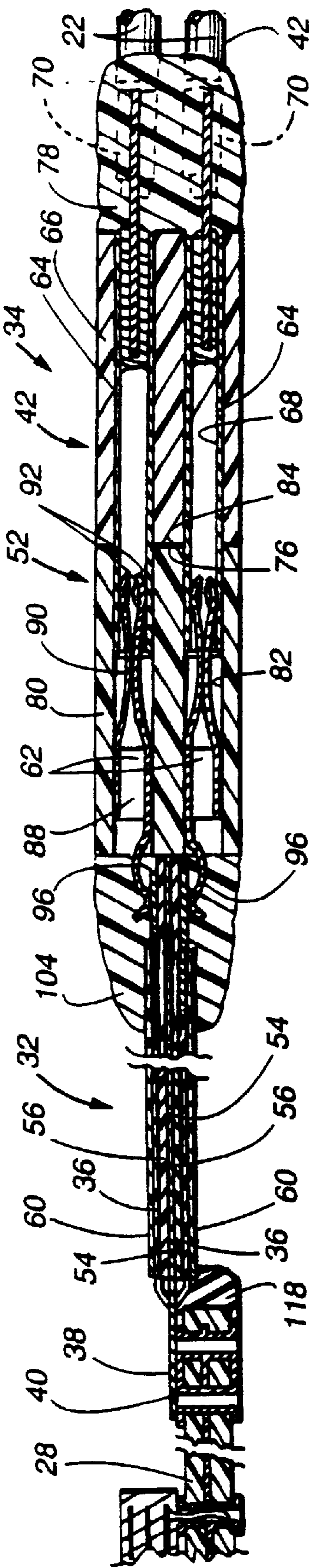


Fig. 4

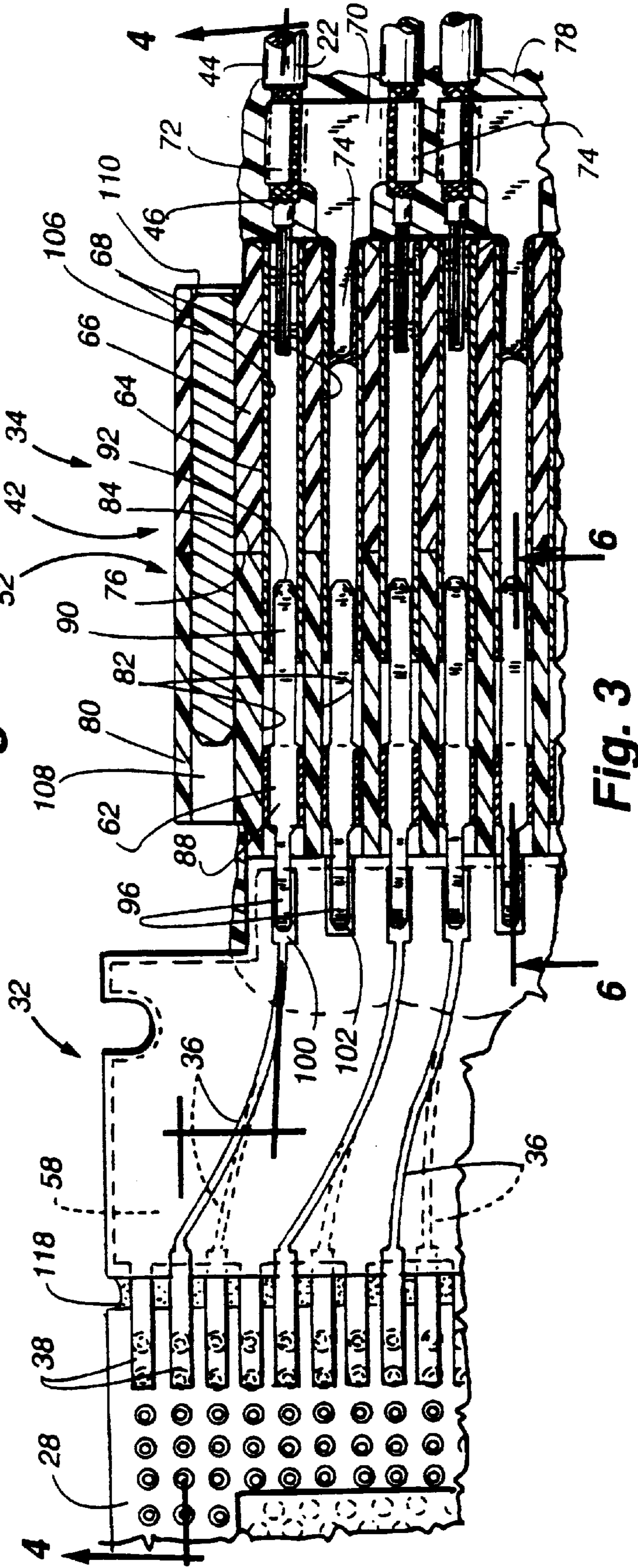
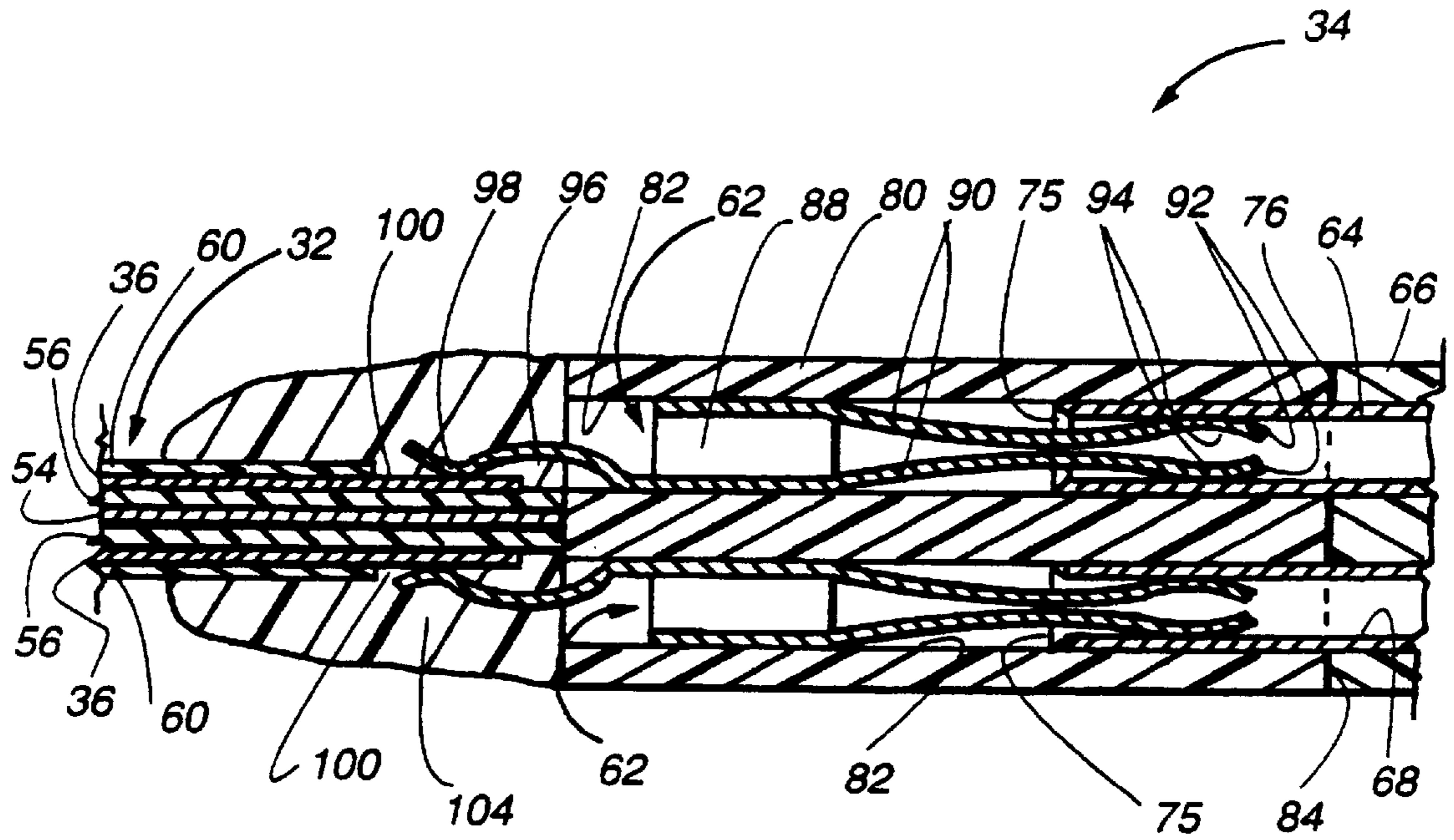
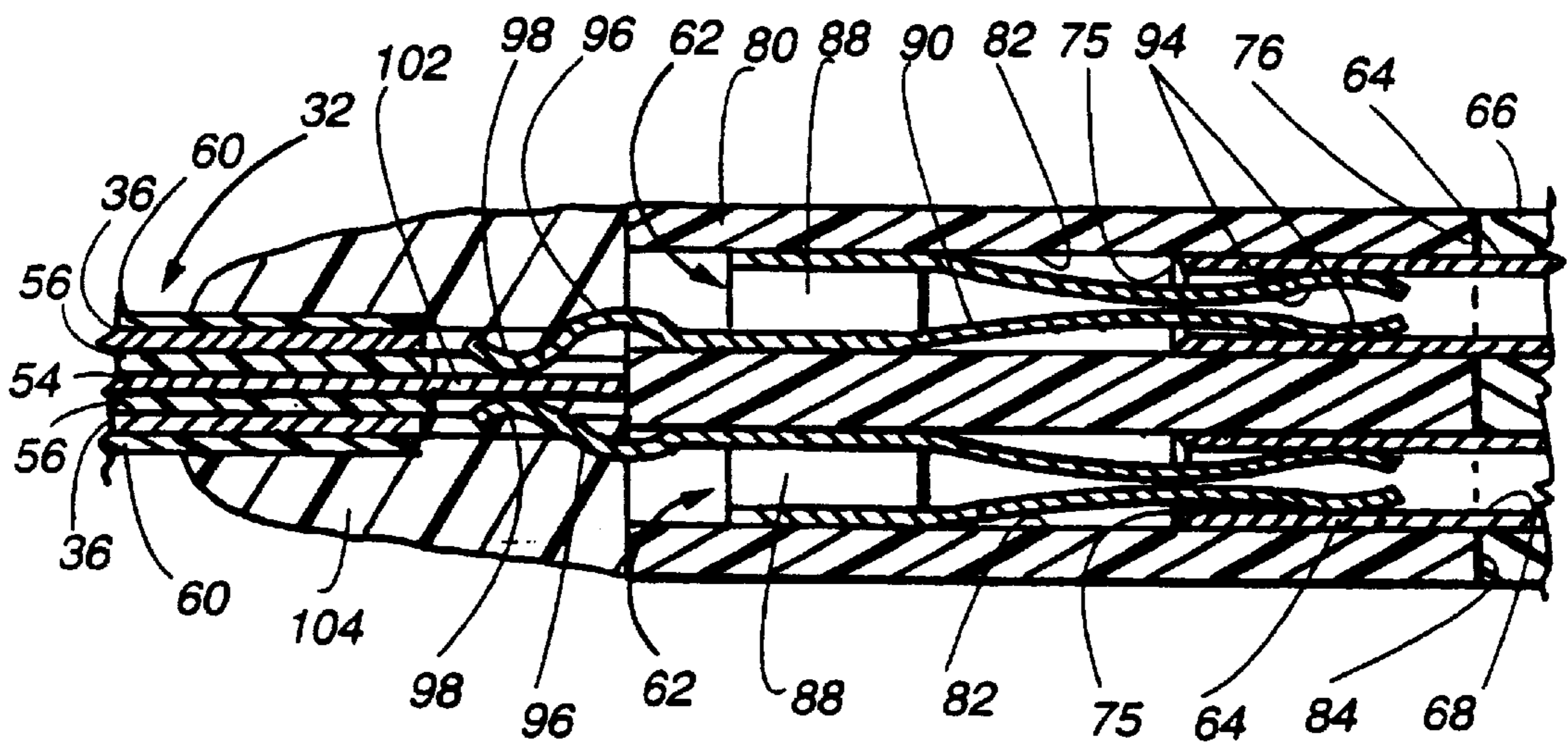


Fig. 3



**Fig. 5**



**Fig. 6**



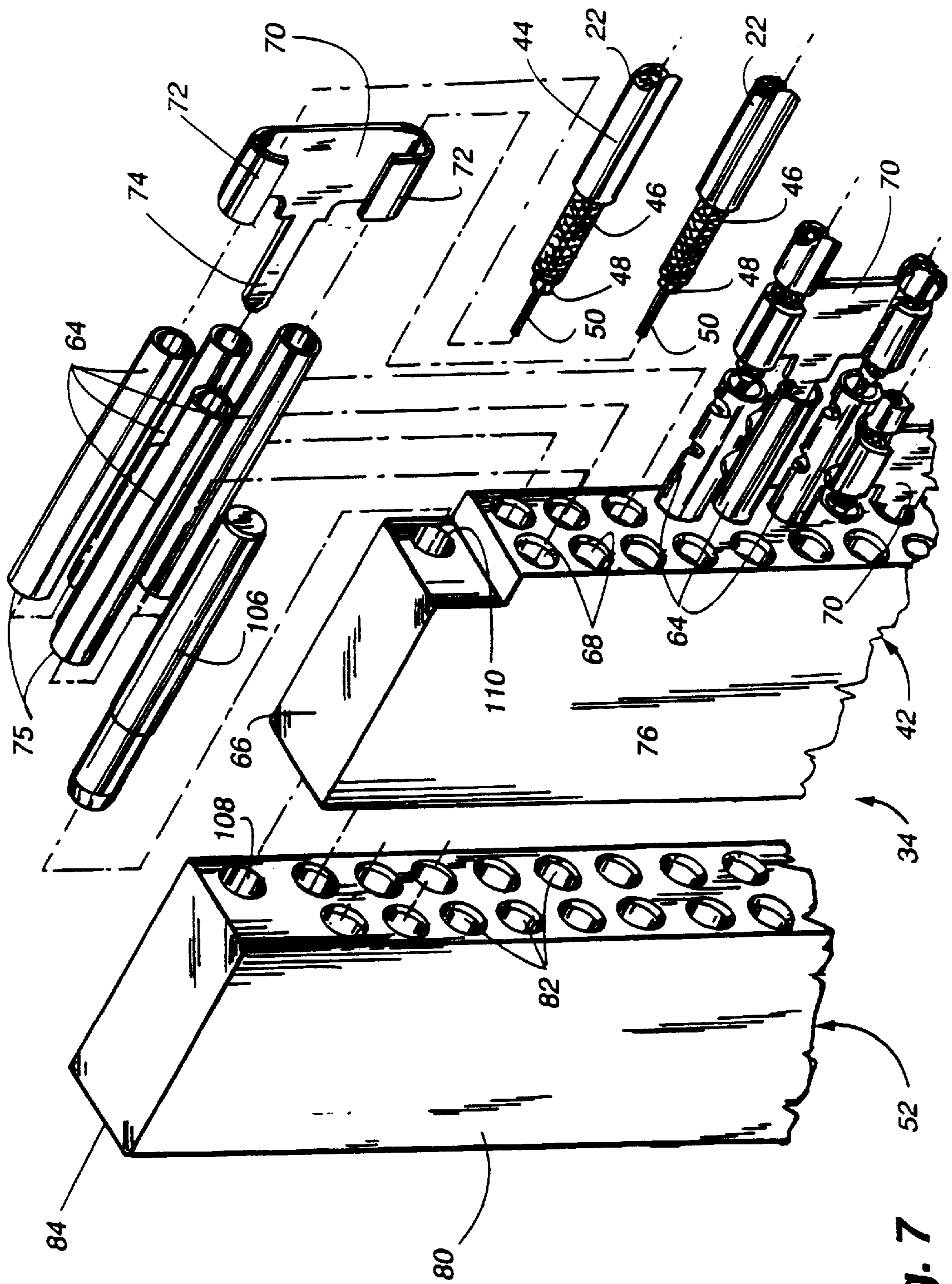


Fig. 7

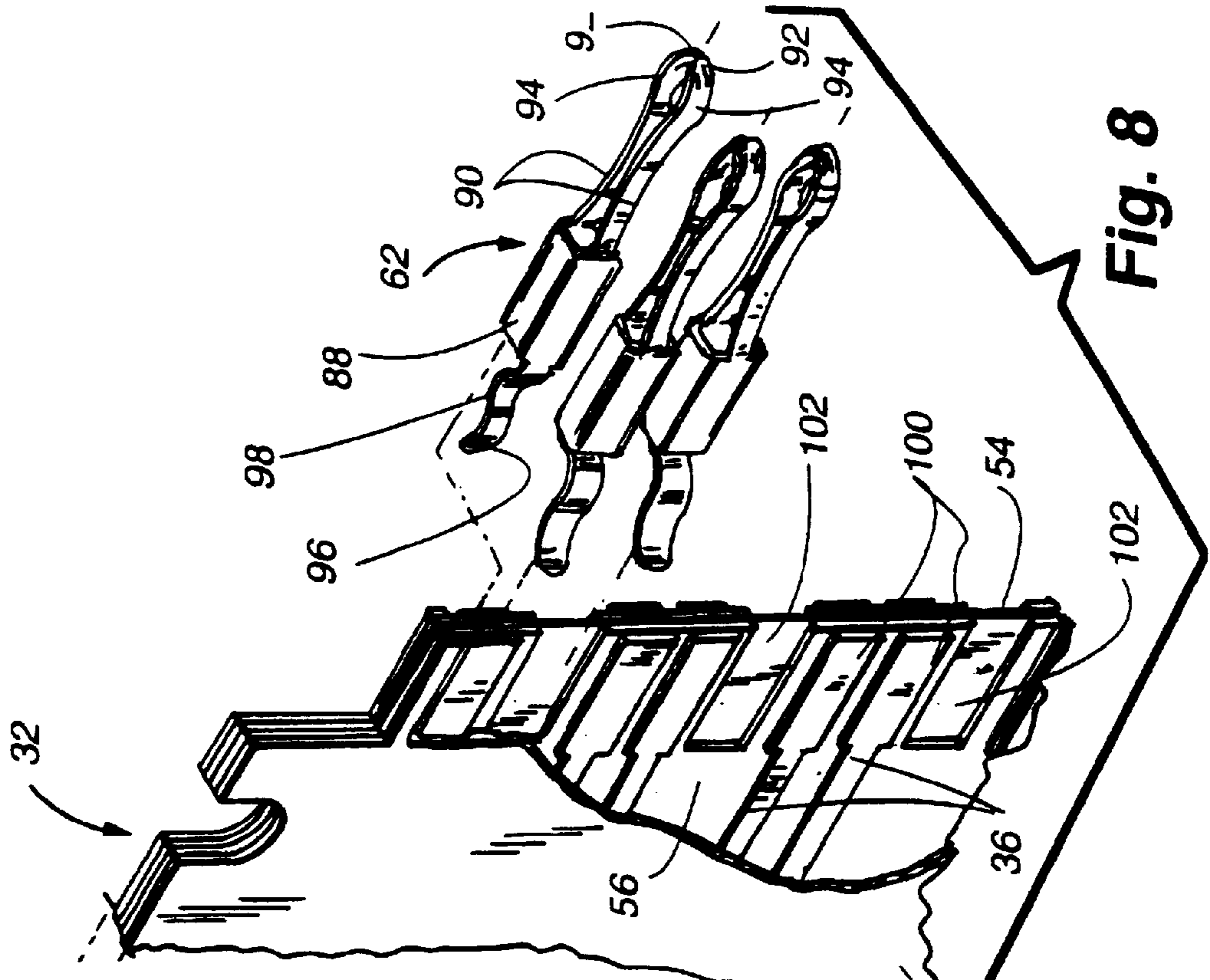


Fig. 8

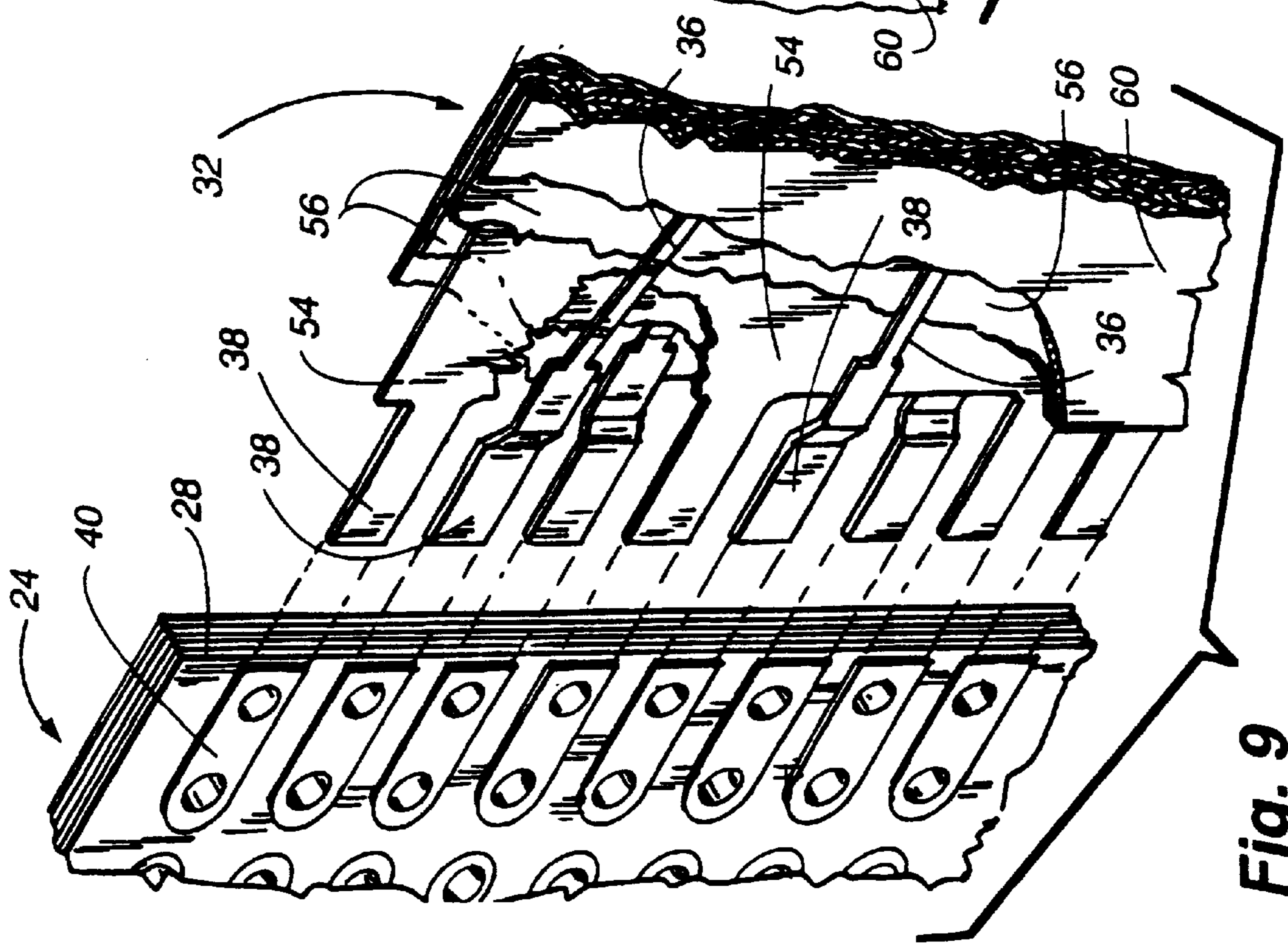
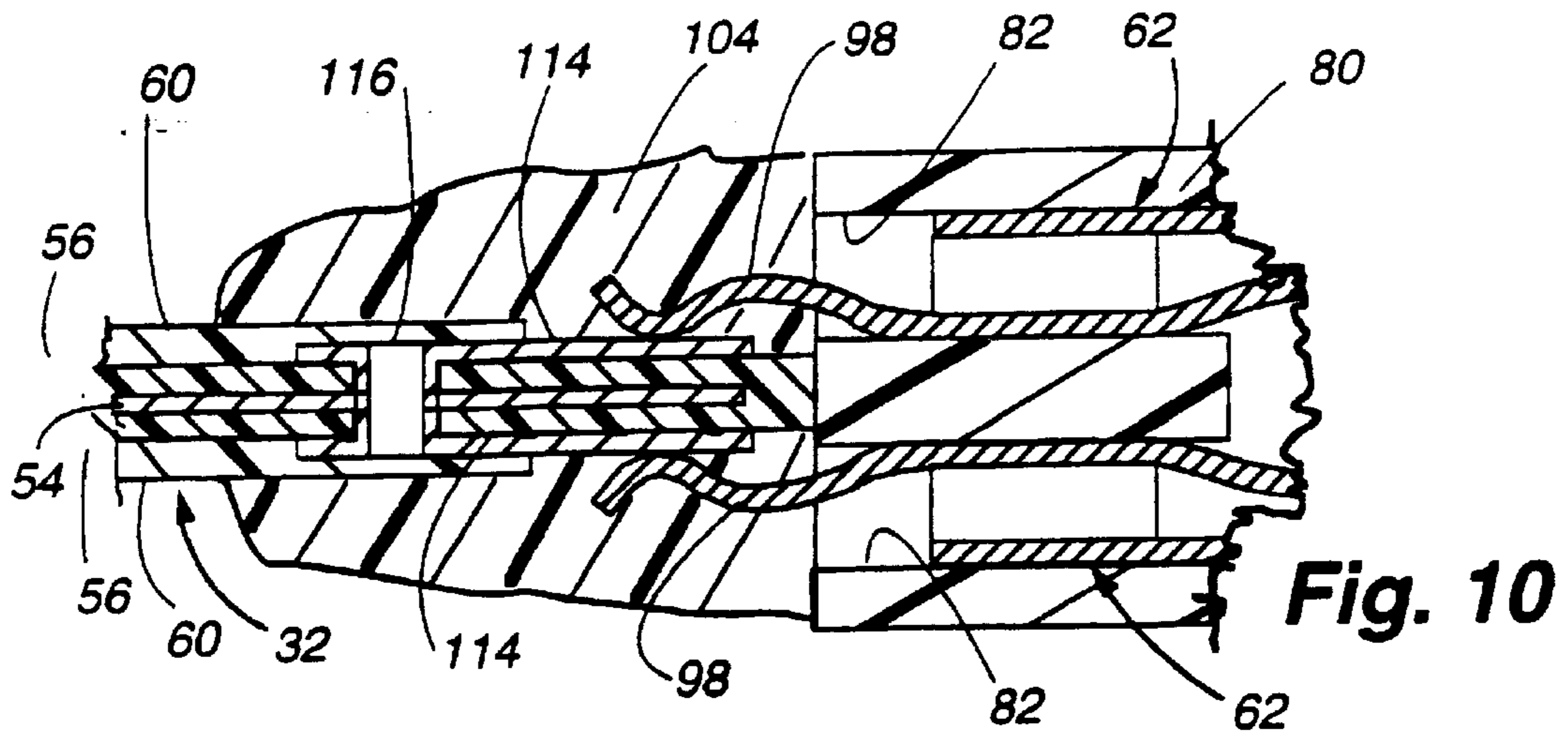
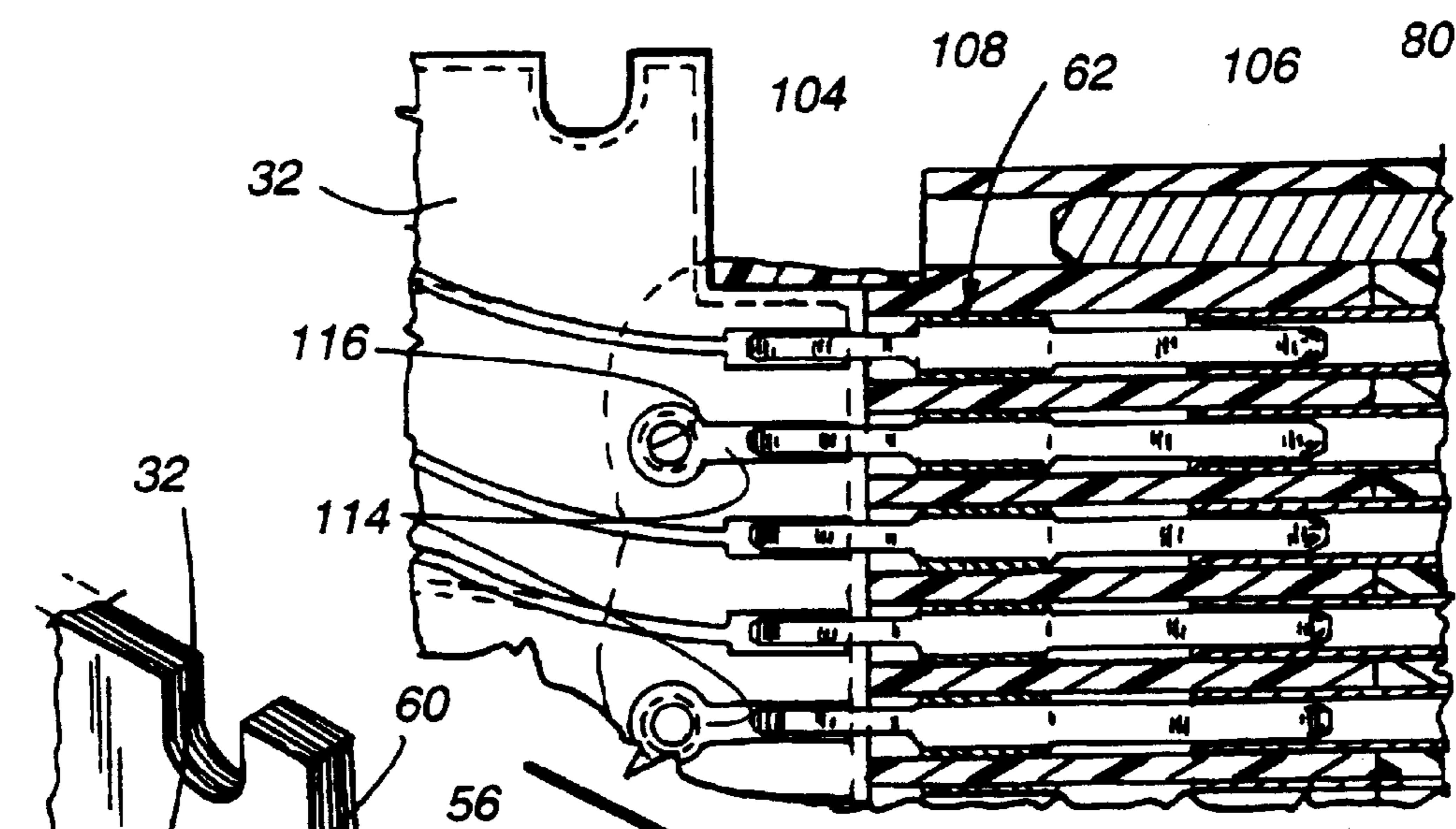


Fig. 9

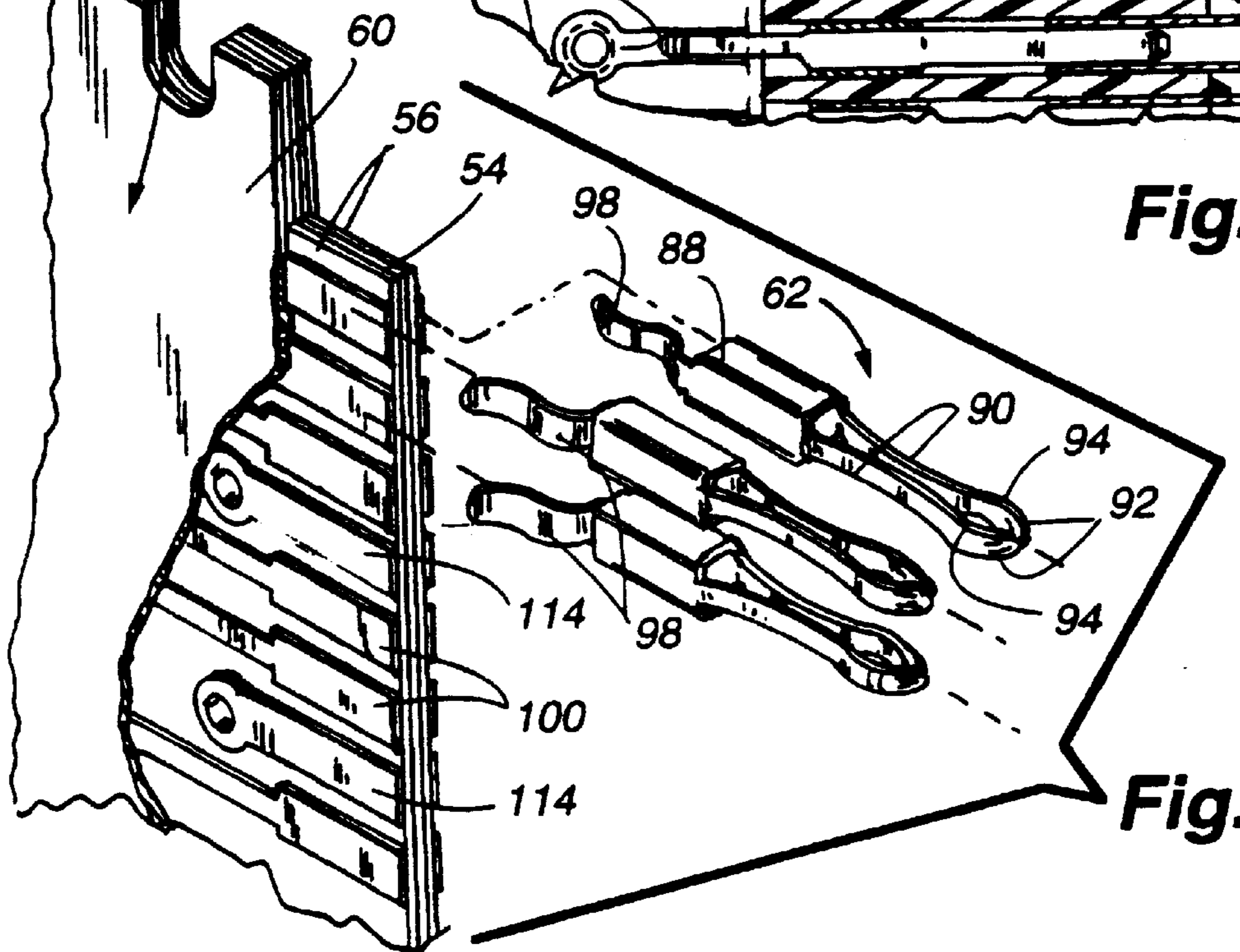




**Fig. 10**



**Fig. 11**



**Fig. 12**



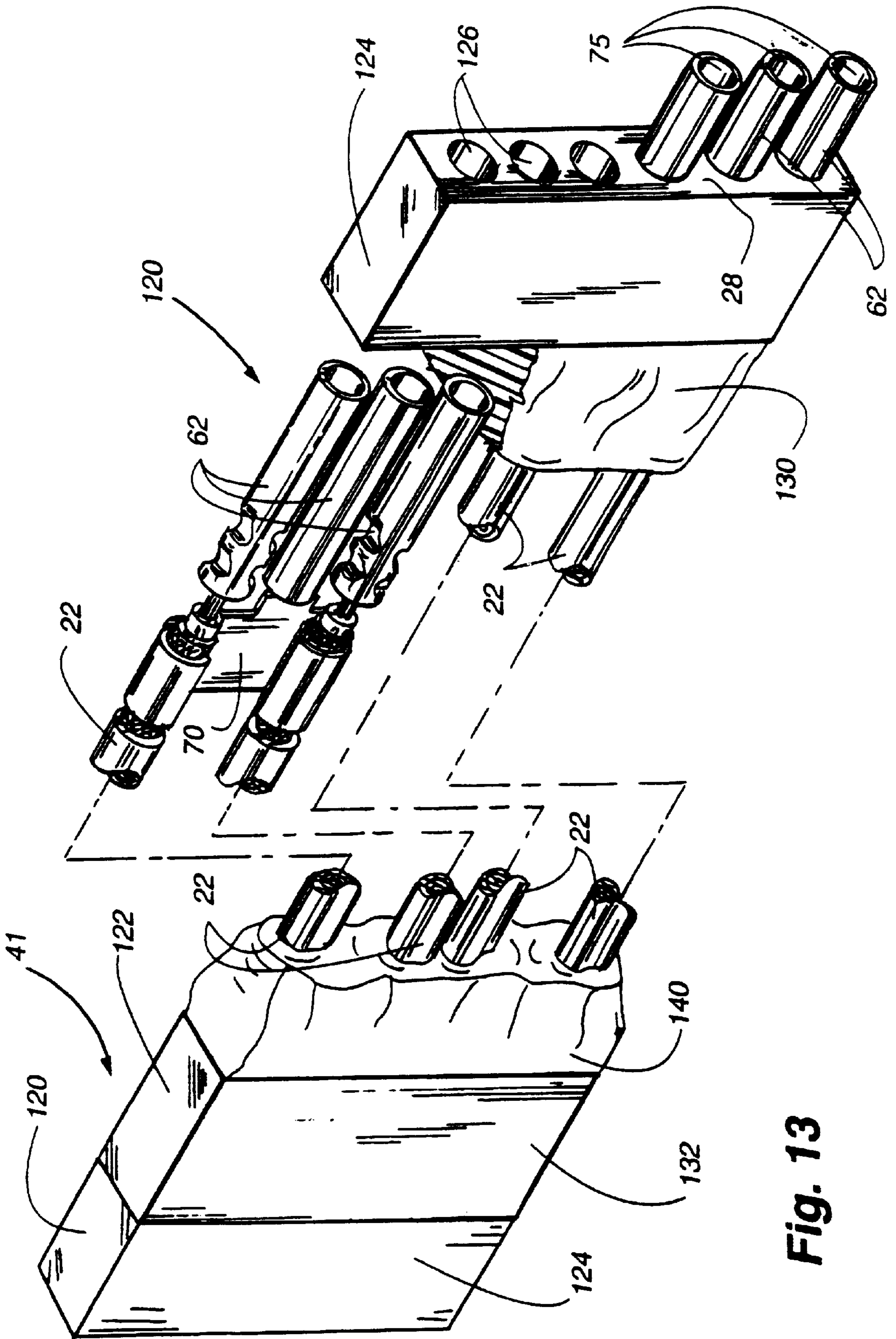


Fig. 13

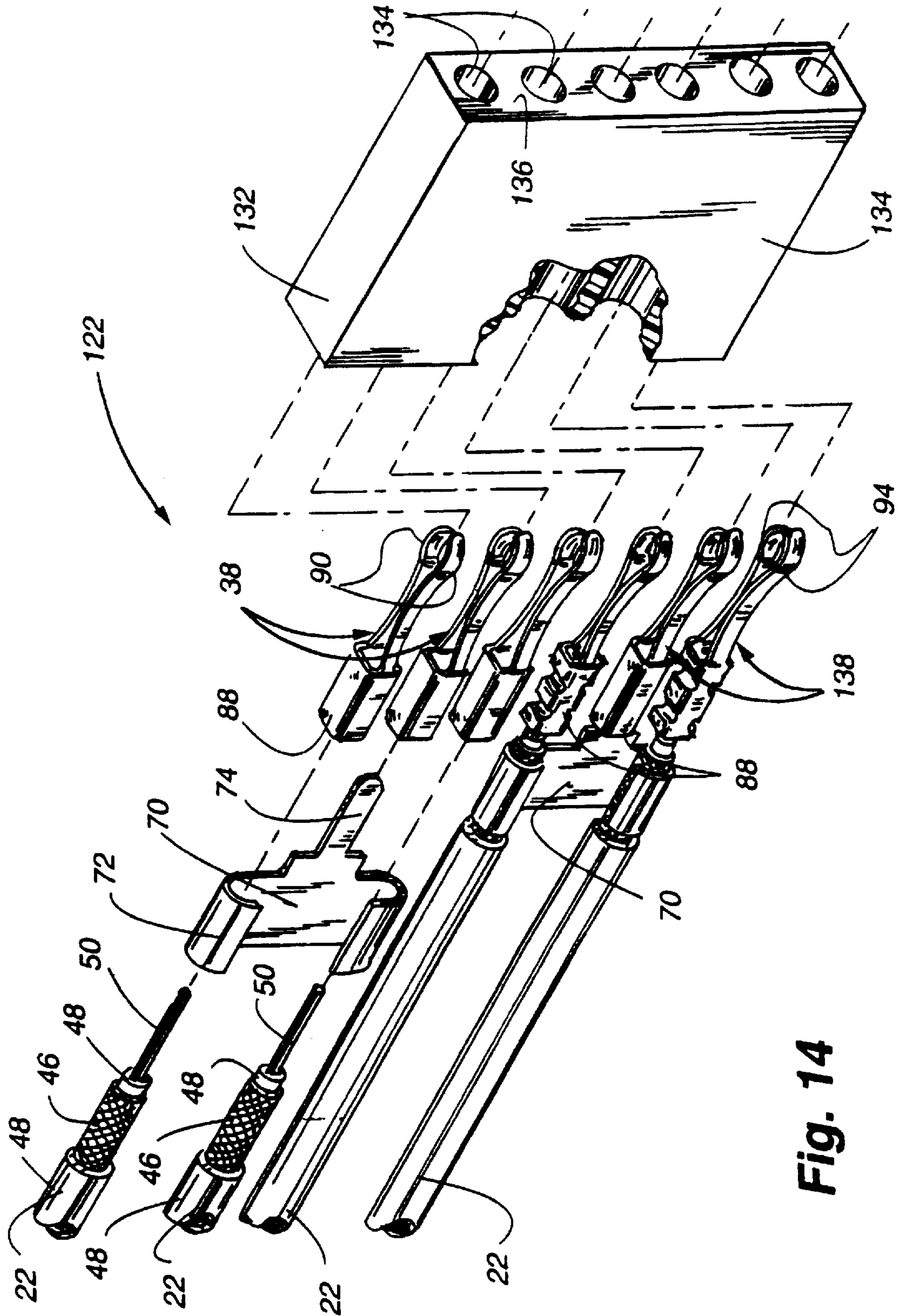


Fig. 14



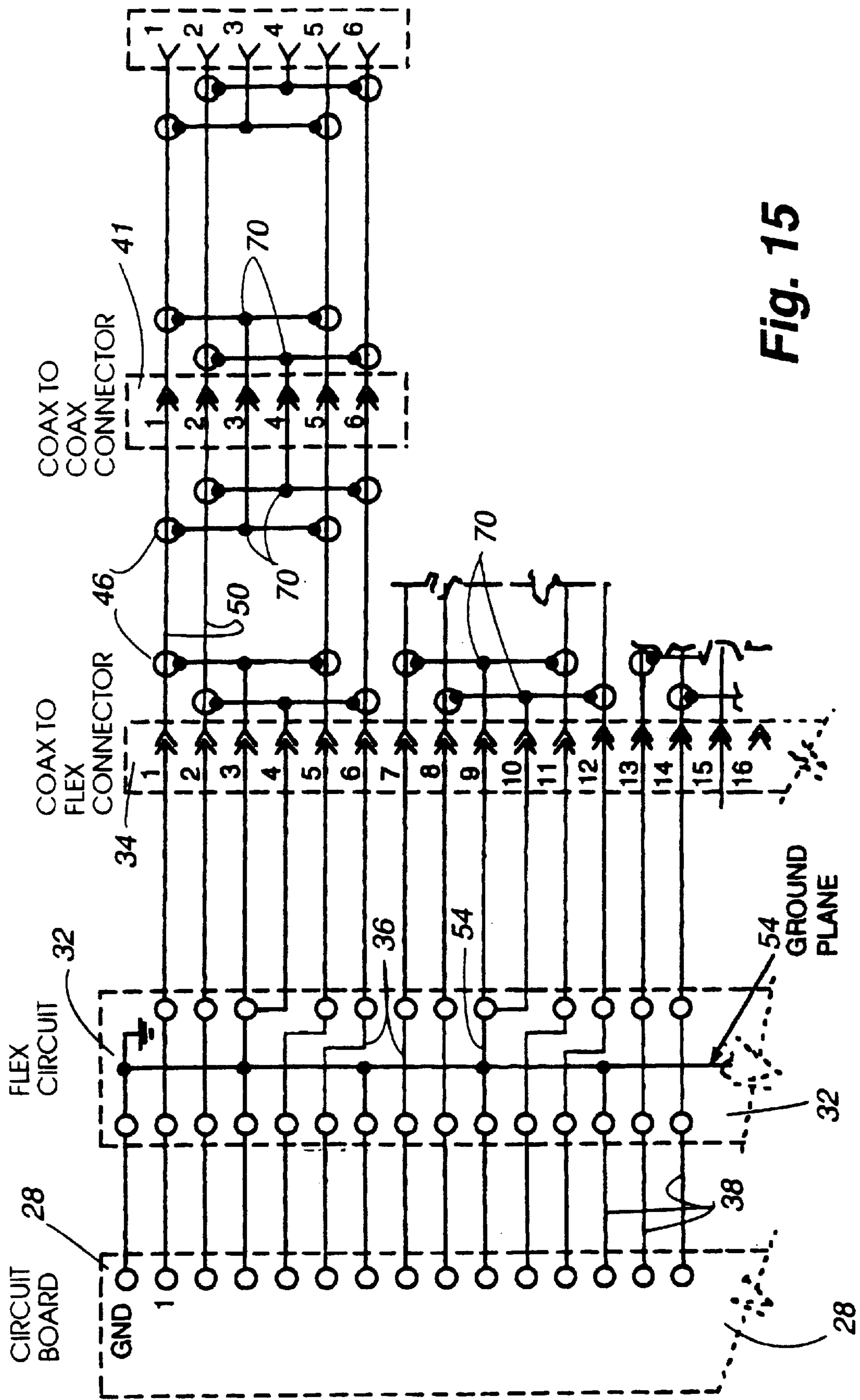


Fig. 15

**HIGH DENSITY, HIGH BANDWIDTH,  
COAXIAL CABLE, FLEXIBLE CIRCUIT AND  
CIRCUIT BOARD CONNECTION ASSEMBLY**

**Matter enclosed in heavy brackets [ ] appears in the original patent but forms no part of this reissue specification; matter printed in italics indicates the additions made by reissue.**

*CROSS-REFERENCE TO RELATED  
APPLICATIONS*

*This application seeks a reissue of U.S. Pat. No. 5,509,827. On Apr. 22, 1998, a divisional application, U.S. application Ser. No. 09/064,536, was filed from the present application. U.S. application Ser. No. 09/064,536 also seeks a reissue of U.S. Pat. No. 5,509,827.*

The present invention relates generally to interconnecting coaxial cables, microstrip flexible circuits and electronic circuits, in a manner which consumes a relatively small amount of space, which does not materially degrade the frequency response or "bandwidth" of the high frequency signals which are transmitted to and from the electronic circuit, and which is convenient to manufacture and use. More particularly, the invention relates to new and improved connectors for interconnecting a relatively high number of coaxial cables to traces of the flexible circuit, for interconnecting a relatively large number of traces of a flexible circuit to the electronic circuit, and for interconnecting a relatively large number of coaxial cables.

**BACKGROUND OF THE INVENTION**

Transmitting very high frequency signals between physically separated circuits can be particularly difficult, because the higher frequency signals are susceptible to a variety of different adverse influences that do not affect lower frequency signals to an appreciable degree. In general, higher frequency signals carry more information per unit of time. The amount of information per unit of time is generally referred to as the "bandwidth" or information carrying capability of the signal. If the quality of the signal is degraded to the point where the informational characteristics of the signal can not be detected or decoded accurately, the bandwidth of the signal is reduced.

It is desirable to reduce or eliminate signal degradation as much as possible, because modern computer processors, logic circuits, controllers and other information processing electrical components of electronic circuits are usually capable of operating at frequencies which are higher than those frequencies which can be reliably conducted by conventional cables and conductors which interconnect physically separate circuits. The interconnecting conductors can therefore become a limitation on the bandwidth of the system as a whole. It is for this reason that it is important to maximize the bandwidth of the of electrical conductors which interconnect physically separate high frequency electronic circuits.

Coaxial cables and microstrip flexible circuits ("flex circuits") are frequently selected to connect the physically separated electronic circuits, because these types of electrical conductors offer advantages of maintaining a relatively high bandwidth. A coaxial cable has a shielding conductor which shields each individual signal carrying conductor from exterior radiated signals and noise. The shielding prevents the external noise from interfering with the desired signal. A flex circuit establishes a controlled impedance between the signal carrying conductor and a ground or

reference plane. The signal shielding and controlled impedance are each very useful in maintaining the quality and integrity of the signal, thereby achieving a greater bandwidth.

Microstrip flex circuits are usually used to connect electronic circuits which are separated by only a short distance, usually less than a meter. Coaxial cables are usually employed to carry signals over greater distances. Microstrip flex circuits are not normally connected directly to coaxial cables. If a connection is made between a microstrip flex circuit and a coaxial cable, it is usually through an electronic circuit.

Even though a coaxial cable or a flex circuit may have enhanced signal carrying capabilities, those capabilities can be significantly degraded if the connection of the coaxial cable or the flex circuit to the electronic circuit is not adequate. A faulty connection to the circuit board can reduce or compromise the bandwidth of the high frequency signals just as much or more than a limited bandwidth resulting from the conductor itself.

The typical technique of connecting a coaxial cable to an electronic circuit is with a terminating connector. The terminating connector includes a center conductor to electrically connect a center conductor of the coaxial cable to the conductor traces of the circuit board. An exterior mechanical connector device, such as a threaded nut or a mechanical friction fit retaining device, electrically connects the shielding conductor to the ground reference of the electronic circuit and mechanically holds the coaxial cable in place. The threaded nut or friction fit retaining device occupies a relatively large amount of physical space at the edge of the electronic circuit, thereby limiting the number of connections which may be made in a given space.

In those situations where a relatively large number of coaxial cables must be connected to a circuit board of a relatively small size, the physical space requirements for mechanically connecting the coaxial cables may be greater than can be accommodated. In those cases, the shielding conductors of two or more coaxial cables are typically connected to a single mechanical device, thereby gaining some additional space. One typical approach to consolidate the shielding conductors has been to connect the shielding conductors of two adjacent coaxial cables and then insert the two connected shielding conductors in a ground plane receptacle. Another approach has been to solder a jumper wire to the connected shielding conductors and then insert single jumper into the ground plane receptacle. As a result, only three connections are required to interconnect two coaxial cables to an electronic circuit. The number of conductors or the "signal density" of connections is thereby raised.

The disadvantage of connecting the shielded conductors of two or more coaxial cables to the ground plane at a single solder connection or with a jumper is that the bandwidth of the coaxial cable is usually reduced as a result of this connection. The connection of the shielding conductors at the location where they are joined together creates relatively high inductances, resulting in signal path discontinuities, which reduces the bandwidth of the coaxial cable.

One of the disadvantages of connecting a multi-layer microstrip flex circuit to an electronic circuit board involves the connection of the inner ground plane conductor and the interior microstrip traces to the electronic circuit. The typical approach is to form individual connection pads on the exterior of the flex circuit and connect the connection pads to the interior ground plane and to the interior microstrip



traces with plated through holes known as "vias". The vias route signals from the conductors inside the flex circuit to the outside connection pads. The vias and connection pads are then soldered to bonding pads of the electronic circuit.

To keep the impedance of the via to the connection pad controlled, each via must be very small in size, such as on the order of 0.005 inch. Making vias this small is very difficult. Consequently larger vias are typically employed, even though the larger vias typically introduce signal discontinuities and reduce the bandwidth of the signals conducted by the microstrip flex circuit.

It is with respect to these considerations and other background information that significant improvements in the field of interconnecting coaxial cables, microstrip flex circuits and electronic circuits have evolved.

### SUMMARY OF THE INVENTION

One of the important aspects of a connection assembly of the present invention is a coaxial cable to microstrip flex circuit connector which achieves a relatively high number of electrical connections in a relatively small area, which achieves the connections in a manner which does not substantially reduce or compromise the bandwidth of the signals conducted through the conductor assembly, which allows selective connection and disconnection of the coaxial cables and the microstrip flex circuit, which can be constructed in a relatively convenient manner using many conventional printed circuit fabrication techniques, and which can be connected, disconnected and assembled in a relatively convenient manner.

In accordance with this aspect of the invention, the coaxial cable to microstrip flex circuit connector comprises a coaxial cable attachment portion which is mechanically attached to the coaxial cable and a microstrip flex circuit attachment portion which is mechanically attached to the microstrip flex circuit. The coaxial cable attachment portion includes a first electrical connector electrically connected to the center conductor and a second electrical connector electrically connected to the shielding conductor of each coaxial cable. The microstrip flex circuit attachment portion includes a third electrical connector electrically connected to each trace and a fourth connector electrically connected to the ground plane conductor. The coaxial cable attachment portion and the microstrip flex circuit attachment portion mate with one another to separately connect the first and third electrical connectors and the second and fourth electrical connectors.

The first and second electrical connections are preferably sockets and the third and fourth electrical connections are preferably inserts which fit within the sockets. A plurality of coaxial cables may be connected to the coaxial cable attachment portion, and a center conductor of each coaxial cable is connected to a first connector. The second electrical connectors are connected to at least one, and preferably a plurality of, shielding conductors. A grounding clip preferably connects to shielding conductors of a plurality of coaxial cables. The grounding clip preferably includes a projection portion connected to a second electrical connector, thereby achieving a plurality of ground connections through a single electrical connector. The third and fourth electrical connectors each preferably include a contact end of the insert which contacts traces, ground trace pads or exposed areas of the ground plane conductor of the microstrip flex circuit. Typically, the microstrip flex circuit includes traces formed on opposite sides of the ground plane conductor with a layer of insulation positioned between the

traces and the ground plane conductor. The third and fourth electrical connectors are located in spaced apart rows and the microstrip flex circuit is positioned between the rows with the contact ends of the inserts contacting the traces, exposed areas and ground trace pads on both sides of the microstrip flex circuit.

Another important aspect of the connection assembly of the present invention is a microstrip flex circuit to electrical circuit connector which also achieves a relatively high density of electrical connections, which achieves the connections in a manner which does not substantially reduce or compromise the bandwidth of the signals conducted, and which can be constructed and assembled in a relatively convenient manner.

In accordance with this aspect of the invention, the microstrip flex circuit to electrical circuit connector comprises a plurality of unsupported extensions of the microstrip traces and the ground plane conductor extending from the microstrip flex circuit. Each extension is electrically surface connected to bonding pads of a printed circuit board of the electronic circuit. Typically the microstrip flex circuit includes traces formed on opposite sides of the ground plane conductor with a layer of insulation positioned between the traces and the ground plane conductor. The printed circuit board of the electronic circuit may typically include bonding pads formed on opposite sides of the printed circuit board. The microstrip flex circuit to electrical circuit connector allows an extension from one side of the flex circuit to bend and connect to a bonding pad adjacent to the other side of the flex circuit. The extensions from the ground plane conductor also bend to connect to the bonding pads on both sides of the printed circuit board. A porting compound or adhesive preferably establishes a mechanical connection of the microstrip flex circuit to the circuit board at the location of the extensions and the bonding pads.

A further important aspect of the connection assembly of the present invention is a coaxial cable to coaxial cable connection which also achieves a relatively high density of electrical connections, which achieves the connections in a manner in which does not substantially reduce or compromise the bandwidth of the signals conducted, and which can be constructed and assembled in a relatively convenient manner.

In accordance with this aspect of the invention, the coaxial cable to coaxial cable connector comprises first and second attachment portions which are similar to the coaxial cable attachment portion and the flex circuit attachment portion of the coaxial cable to flex circuit attachment portion. Grounding clips are employed in the first and second attachment portions to connect the shielding cables of the interconnected coaxial cables through the mated first and second attachment portions. First electrical connectors such as the sockets and second electrical connectors such as the inserts are retained in bodies of the first and second attachment portions. The first and third electrical connectors are connected to the center conductors of the coaxial cables, and the electrical connection between the attachment portions is achieved in the same manner as the coaxial cable to flex circuit connector.

A more complete appreciation of the present invention and the scope thereof can be obtained by reference to the accompanying drawings which are briefly summarized below, to the following detailed description of a presently preferred embodiment of the invention, and to the appended claims.

### BRIEF DESCRIPTION OF THE DRAWINGS

FIG. 1 is a perspective view of an electronic circuit board assembly formed by a plurality of small electronic circuits to which a connection assembly of the present invention is connected.



FIG. 2 is an enlarged view of one small electronic circuit and of the connection assembly shown in FIG. 1, in which there is shown in greater detail, a plurality of coaxial cables, a coaxial cable to flexible circuit connector, a stripline or microstrip flexible circuit, a coaxial cable to coaxial cable connector, a microstrip flexible circuit to electronic circuit connector and a coaxial cable to coaxial cable connector.

FIG. 3 is an enlarged and partial section view of the coaxial cable to microstrip flex circuit connector shown in FIG. 2 taken substantially in the plane of line 3—3.

FIG. 4 is a section view taken substantially in the plane of line 4—4 in FIG. 3.

FIG. 5 is a further enlarged partial section view of a portion of FIG. 4.

FIG. 6 is a view similar to FIG. 5 taken substantially in the plane of line 6—6 in FIG. 3.

FIG. 7 is an enlarged, partial, perspective and exploded view of a coaxial cable attachment portion and a portion of a microstrip flexible circuit attachment portion of the coaxial cable to flex circuit connector portion of the connection assembly shown in FIG. 2.

FIG. 8 is an enlarged, partial, perspective and exploded view of the remaining portion of the microstrip flexible circuit attachment portion not shown in FIG. 7.

FIG. 9 is an enlarged, partial, perspective and exploded view of the microstrip flexible circuit to electronic circuit connector shown in FIG. 2.

FIGS. 10, 11 and 12 are partial views of an alternative embodiment of the microstrip flexible circuit to electronic circuit connector similar to those views shown in FIGS. 3, 4 and 9, respectively.

FIG. 13 is an enlarged, partial, perspective and exploded view of a coaxial cable to coaxial cable connector of the connection assembly shown in FIG. 2 and of a socket retaining portion of the coaxial cable to coaxial cable connector.

FIG. 14 is an enlarged, partial, perspective and exploded view of an insert retaining portion of the coaxial cable to coaxial cable connector shown in FIG. 13.

FIG. 15 is a schematic circuit diagram of the connection assembly shown in FIG. 2.

#### DETAILED DESCRIPTION

A connection assembly 20 which embodies the present invention is shown in FIGS. 1 and 2. The connection assembly 20 connects a plurality of conventional coaxial cables 22 to an electronic circuit 24. The electronic circuit 24 is preferably capable of transmitting and receiving signals over the connection assembly 20 at relatively high frequencies. The electronic circuit 24 will typically be constructed in the conventional manner, on a printed circuit board 25 to which a manner of electronic components such as a semiconductor dies or chips 26 are attached and interconnected by conventional conductive printed circuit board ("PCB") traces (not shown).

The connection assembly 20 of the present invention is illustrated in FIGS. 1 and 2 in use with electronic circuits 24 of the type used by the assignee hereof on its supercomputers. More details concerning these electronic circuits are found in the assignee's U.S. Pat. Nos. 5,054,192; 5,014,419; 5,045,975; and 5,195,237, among others. The electronic circuits 24 are approximately one inch square, and sixteen chips 26 are connected on one or both sides of the circuit board 25. A cover 27 covers the chips 26 on each side of the electronic circuit 24 to establish cooling channels through

which a dielectric insulating cooling fluid flows. The electronic circuits 24 are spaced from a larger circuit retaining board 28 by spacers 29, also to establish a cooling path between the chips and the retaining board 28, as is discussed in the assignee's U.S. Pat. No. 5,260,850. The coaxial cables 22 used with the assignee's circuits are micro-coaxial cables.

Although the connection assembly 20 offers significant advantages in communicating high frequency signals in a supercomputer, it is not specifically required that it be employed for that purpose. The present invention can be employed in a wide variety of electrical connection situations and environments, including those where the coaxial cables are of the standard size and the frequency of the signals is not regarded as high.

The connection assembly 20 includes a conventional stripline or microstrip flexible circuit 32 which is connected to the coaxial cables 22 by a coaxial cable to microstrip flexible circuit connector 34 referred to herein as a "coax to flex connector 34". The stripline or microstrip flex circuit ("flex circuit") 32 includes a plurality of parallel-extending, conventional microstrips or traces 36 which carry individual signals between ends of the flex circuit 32, as are also shown in FIGS. 3 and 4. Extensions 38 of the flex traces 36 are connected to bonding pads 40 (FIG. 9) on the printed circuit board 28. The bonding pads 40 are formed as integral parts of PCB traces on the electronic circuit 24.

The new and improved features of the connection assembly 20 reside in the coax to flex connector 34, in the connection of the flex circuit 32 to the electronic circuit 24 by the extensions 38 and pads 40, and in a coaxial cable to coaxial cable connector 41 referred to below as a "coax to coax" connector 41. The coax to coax connector 41 is used to connect segments or lengths of coaxial cables 22.

Details concerning the coax to flex connector 34 are shown in FIGS. 3—7. The coax to flex connector 34 includes a first or coaxial cable attachment portion 42 to which the coaxial cables 22 are mechanically and electrically connected. The portion 42 of the connector 34 is referred to herein as a "coax attachment portion" 42. The coax attachment portion 42 receives and connects to the plurality of coaxial cables 22. All of the coaxial cables 22 have the same basic conventional configuration, shown in FIG. 7. An outer electrical insulating cover 44 surrounds a shielding conductor 46, which is shown as a braid. The shielding conductor 46 surrounds and encircles insulation 48 formed in the shape of annular tube. The insulation 48 surrounds a center conductor 50. The center conductor 50 carries the signals while the shielding conductor 46 prevents or inhibits the influence of radiated signals, both from external sources and from the center conductor 50.

The coax to flex connector 34 includes a second or microstrip flexible circuit attachment portion 52 to which the flex circuit 32 is mechanically and electrically connected. The portion 52 of the connector 34 is referred to below as a "flex attachment portion" 52. The flex circuit 32, to which the flex attachment portion 52 is connected, is of a conventional construction as shown in FIGS. 4—6, 8 and 9.

The flex circuit 32 includes a center, sheet-like ground plane conductor 54 which extends the width of the microstrip flex circuit 32. Uniform thickness and controlled impedance electrical insulation layers 56 are attached to the opposite planar surfaces of the ground plane conductor 54. The flex traces 36 are attached to the exterior surfaces of the insulating layers 56. The exterior of the flex traces 36 and the space between the flex traces 36 is occupied by an exterior insulation layer 60.



The flex attachment portion 52 of the connector 34 is adapted to mate with the coax attachment portion 42 of the connector 34. When the coax and flex attachment portions 42 and 52 are mated together, signals are conducted between the center conductor 50 of the coaxial cable 22 and individual flex traces 36 of the flex circuit 32. An electrical connection between the shielding conductor 46 of the coaxial cable 22 and the ground plane conductor 54 of the flex circuit 32 is also established. In general, the electrical connections through the mated coax and flex attachment portions 42 and 52 are established by inserts 62 of the flex attachment portion 52 and sockets 64 of the coax attachment portion 42 which connect with one another.

Details of the coax attachment portion 42 are shown in FIGS. 4-6 and 7. The coax attachment portion 42 includes a block-like insulating body 66 into which a number of cylindrical holes 68 are formed. The body 66 is preferably formed of plastic, but other electrical insulating materials are suitable. The holes 68 are arranged in rows, and preferably in a plurality of rows (two are illustrated). The sockets 64 fit within the holes 68 when the flex and coax attachment portions 52 and 42 are mated. The sockets 64 are metallic conductive tubes, preferably a copper-beryllium alloy. By proper selection of the type of plastic or other insulating material used for the body 66 and the spacing of the holes 68, a controlled impedance path through the body 66 is achieved.

The shielding conductors 46 of two coaxial cables adjacent one another in each row are commonly connected by a grounding clip 70, which is shown in FIG. 7. The grounding clip 70 is preferably stamped from sheet copper to provide a low inductance ground path at relatively high signalling frequencies. The grounding clip 70 includes two wing portions 72 and a projection portion 74. The projection portion 74 extends generally from the location where the two wing portions 72 join on the clip 70. Each wing portion 72 is bent or crimped to surround and contact the shielding conductor 46 of the two adjacent coaxial cables 22. Each wing portion 72 retains a coaxial cable in a location aligned with the first and third holes 68 of three adjacent holes 68 in a row on the body 66. The projection portion 74 of the grounding clip 70 extends generally in alignment with the two retained coaxial cables, at a position to extend into the middle one of the three adjacent holes 68 in the rows of holes formed in the body 66.

One socket 64 is electrically and mechanically connected to the center conductor 50 of each coaxial cable 22 and to the projection portion 74 of the grounding clip 70, preferably by crimping an end of the socket 64 around the conductors 50 and projection portion 74, or by soldering. The outer cover 44, shielding conductor 46, inner insulation 48 and center conductor 50 are all stripped in a stepped configuration as shown to accommodate this connection. The end of the outer cover 44 preferably contacts or is closely adjacent to the wing portions 72 at the location where they are bent around the shielding conductor. The inner insulation 48 is preferably adjacent to the socket 64 in the final assembled form.

After crimping the sockets 64 on the conductors 50 and projection portion 74 of the grounding clip 70, the sockets 64 are inserted into the holes 68 until ends 75 of the sockets 64 project a predetermined distance beyond a mating contact surface 76 of the body 66, as shown in FIGS. 5 and 6. The sockets 64 are held in the holes 68 by a suitable adhesive or by the resilient forces developed by the compression of the sockets 64 as they are inserted in slightly undersized holes 68. The contact surface 76 is adapted to contact a complementary mating contact surface 84 of a body 80 of the flex attachment portion 52 of the connector 34.

The bent wing portions 72, which are bent into contact with the shielding portions 44 of the two coaxial cables 22, hold the coaxial cables in position in alignment with one another and with the holes 68 and the sockets 64. The crimped connections also help maintain the position of the sockets 64 in the holes 68 and a mechanical connection of the coaxial cables 22 to the coax attachment portion 42.

Additional assemblies of two coaxial cables connected by a grounding clip 70 with attached sockets 64 are inserted into the other groups or sequences of three adjacent holes 68 in each row of holes, until all of the retaining holes in the body 66 are filled. To complete the mechanical attachment of the coaxial cables 22 to the coax attachment portion 42, an epoxy potting compound 78 (FIG. 4) is placed around the exposed portion of the grounding clip 70 and the coaxial cables. Once cured, the potting material 78 holds all of the elements in place on the body 66 to complete the coax attachment portion 42 of the connector 34.

The coax attachment portion 42 of the connector 34 achieves numerous improvements. The grounding clips 70 are a relatively small size, which allows the coaxial cables 22 to be placed relatively closely together. The contact of the wing portion 72 with the shielding conductor 46 does not consume substantially greater space than is consumed by the exterior cover 44 of the coaxial cable 22. More coaxial cables 22 can be placed at relatively closer locations along the body 66 than would be possible if exterior connection nuts or other space consuming devices were used to connect the shielding conductors 46. In addition, each grounding clip 70 provides a ground electrical connection for two coaxial cables 22, thus eliminating one of the exterior ground connections typically required for each coaxial cable. As a result three connectors are adequate to provide a high bandwidth connection for two coaxial cables. By eliminating one of the connectors for each two coaxial cables through use of the grounding clip 70, which consumes no more space than the exterior of the coaxial cable itself, a higher density of coaxial cables may be connected in a smaller amount of space.

The flex attachment portion 52 of the connector 34 is shown in FIGS. 2-8. The flex attachment portion 52 includes a block-like insulating body 80 into which a number of cylindrical holes 82 are formed. The holes 82 are arranged at locations adapted to be coaxial with the centerline of the sockets 64 of the coax attachment portion 42. Consequently, the number of holes 82, the number of rows of holes 82 and the location of the holes 82 correspond to the number, rows and locations of the holes 68 in the body 66 of the coax attachment portion 42. The diameter of the holes 82 is slightly larger than the outside diameter of the sockets 64, to comfortably receive the projecting ends 75 of the socket 64 when the coax and flex attachment portions 42 and 52 are connected. When connected, the mating surface 76 of the coax attachment portion 42 abuts a mating surface 84 of the flex attachment portion 52, as is shown in FIGS. 5 and 6.

One insert 62 is positioned in each of the holes 82. Details of each insert 62 are best shown in FIGS. 5, 6 and 8. Each insert 62 is initially stamped from a conductive sheet material such as copper-beryllium alloy and is then bent into the shape shown in FIG. 8. Each insert 62 includes a hollow body portion 88 from which fingers 90 project. The fingers 90 are attached on opposite sides of the body portion 88 and are curved to assume a minor image configuration with respect to one another. A projecting end 92 of each of the fingers 90 is more closely positioned to the opposite finger 90 than an intermediate portion 94 of the fingers 90 between the end 90 and the body 88. The two fingers 90 therefore assume a shape similar to tongs or tweezers.



A single contact **96** projects in the opposite direction from the body **88** compared to the direction of projection of the fingers **90**. The contact **96** extends generally in alignment with one of the fingers **90**. The contact **96** is bent in somewhat of an S-shape as shown in FIGS. **5** and **6** and has an inner surface **98** adapted to contact an exposed end **100** of a microstrip trace **36** or an exposed area **102** of the ground plane conductor **54** of the flex circuit **32**.

The fingers **90** and the S-shaped contact **96** both have spring characteristics which allow them to create resilient force when deflected. The force from deflection of the contact **96** causes the region **98** to press firmly against the end **100** of the microstrip trace **36** (FIG. **5**) or to press firmly against the exposed area **102** of the ground plane conductor **54** (FIG. **6**) to establish good contact. The contacts **96** are then preferably soldered to the ends **100** of the traces **36** and to the exposed areas **102** of the ground plane conductor **54** at the regions **98**. Similarly, force from the inward deflection of the fingers **90** toward one another as they are inserted into the socket **64** causes force from intermediate regions **94** of both fingers to establish a good electrical contact with the interior wall of the socket **64**, as is shown in FIGS. **5** and **6**.

The inserts **62** are positioned in the holes **82** at a location where the projecting ends **92** of the fingers **90** are recessed in the holes **82** from the mating surface **84**, as shown in FIGS. **3-6**. In this position, the fingers **99** will not project beyond the body **80** to avoid unintentional contact and damage when the flex attachment portion **52** is not connected to the coax attachment portion **42**. However, even in this recessed position, the fingers **90** adequately project into the sockets **64** to establish good electrical contact when the mating surfaces **76** and **84** contact one another upon connection of the portions **42** and **52** of the connector **34**. The projecting ends **75** of the sockets **64** extend into the holes **82** to align the coax and flex attachment portions before they are mated together. Because the sockets **62** offer more strength, there is less risk of accidental damage of them as a result of their projection from the body **66** of the attachment portion **42**. As the coax and flex attachment portions mate together, the projecting ends **92** move easily into the interior of the sockets **64** at the end **75**, and further movement resiliently compresses the fingers **90** within the interior of the socket.

The position of the inserts **62** in the holes **82** of the body **80** causes the S-shaped contacts **96** to extend almost entirely from the holes **82**. The inserts **62** are maintained in position by an adhesive, or by frictional contact of the body portion **88** with the round holes **82**. In this position, the contacts **96** contact the connection pads **100** formed at the ends of the microstrip traces **36**, and the contacts **96** also contact the exposed areas **102** of the ground plane conductor **54**, when the microstrip flex circuit **32** is inserted between the two rows of S-shaped contacts (FIG. **4**).

To expose the connection pads **100** of the traces **36**, the outer insulation layer **60** is removed from the flex traces **36** in those locations of the pads **100** where the intermediate regions **98** of the contacts **96** make contact, as shown in FIGS. **5** and **8**. The outer insulation **60** and the inner insulation layer **56** are both removed from the flex circuit **32** in those exposed areas **102** where the intermediate regions **98** of the contacts **96** make contact with the ground plane conductor **54**, as shown in FIGS. **6** and **8**.

The flex circuit **32** is maintained in connection with the flex attachment portion **52** by soldering the finger regions **98** and covering them with epoxy potting compound **104**. The cured epoxy potting compound **104** also assists in maintaining the inserts **62** in position in the flex connector portion **52**.

By proper selection of the type of plastic or other insulating material used for the body **80** and the spacing of the holes **82**, a controlled impedance path through the connector body **80** is achieved.

In this manner, the coax to flex connector **34** establishes an electrically conductive signal path between the inner signal-carrying conductors **50** of the coaxial cables **22** and the flex traces **36** of the flex circuit **32**, through the inserts **62** and the sockets **64**. A conductive path between the ground plane conductor **54** of the flex circuit **32** and the shielding conductor **46** of each coaxial cable **22** is also established through the inserts **62**, the sockets **64** and the grounding clips **70**.

As can be appreciated from FIG. **7**, those sockets **64** which are connected to the projection portion **74** of the grounding clips **70** are located at every third position in a sequence of holes **68** in each row. The insulation layers **56** and **60** of the flex circuit must be removed to expose the areas **102** of the ground plane conductor **54** in locations which align with every third hole **68**, as is shown in FIG. **8**. In this manner, the contacts **96** of the inserts **62** which mate with the sockets **64** connected to the grounding clips **70** will contact the exposed areas **102**. Since a microstrip flex circuit **32** is formed in a manner generally similar to the manner of formation of a printed circuit board, the location of the traces **36**, the location of the exposed areas **102** of the ground plane conductor **54**, and the size of the flex circuit is readily fabricated to meet these requirements.

To align the attachment portions **42** and **52** of the coax to flex connector **34** before connecting them together, it is advantageous to incorporate an alignment pin **106** and alignment holes **108** and **110** in the bodies **66** and **80** of the attachment portions **42** and **52**, respectively, as shown in FIGS. **3**, and **7**. The alignment pin **106** is preferably permanently retained in hole **110** of the body **66** by an adhesive or by press fitting the shank of the pin **106** into a slightly undersized hole. A similar alignment pin **106** and alignment hole **108** are located on the opposite side of the connector **34**. The alignment pins and holes assure that the socket **64** will fit within the holes **82** when the attachment portions **42** and **52** are mated together.

Tooling holes **112** are another feature of the coax to flex connector **34**, as shown in FIG. **2**. The tooling holes **112** are formed in the bodies **66** and **80** at an exterior side which extends at an angle to the mating surfaces **76** and **84**. A tool (not shown) may be inserted into the holes **112** to apply force to the attachment portions **42** and **52** for either separating them or mating them. The holes **112** are slightly tapered in an inward direction to assist in inserting and removing the tool. The holes **112** allow one tool to be used for both separating and mating the attachment portions **42** and **52**. This is an advantage compared to some type of connectors which require one type of tool to separate the connector portions and a different tool to join the connector portions. The holes **112** may be formed completely through the bodies **66** and **80** at locations which do not interfere with the electrical conductors, or they may be formed partially into the bodies **66** and **80** from an exterior location and on one or both sides of the bodies.

In addition the separating and mating functionality facilitated by the holes **112**, the holes **112** may also be formed with sufficient precision in size and location to be useful as fixturing points during mechanical assembly of each attachment portion **42** and **52**, during testing of the connector **34** and each attachment portion **42** and **52**. Furthermore, the holes **112** can be used to accommodate a clamping frame



whose purpose is mate and disconnect several connectors **34** simultaneously. The holes **112** can also be used for retaining the connector **34** to some type of exterior structure.

An alternative approach of connecting the flex circuit **32** to the attachment portion **52** is shown in FIGS **10–12**. In this alternative embodiment, the ground plane conductor **54** is not exposed at the areas **102** as described above. Instead, separate ground trace pads **114** are formed on the insulation layers **56** in the same plane and adjacent to the connection pads **100** of the traces **36**. The ground trace pads **114** are connected to the ground plane conductor **54** by conventional plated through holes or vias **116**. Each via **116** extends through the insulation layers **56** and through holes formed in the ground plane conductor **54** and the ground trace pads **114**. The plating which forms each via **116** electrically connects to the edges of the ground plane conductor **54** and the ground trace pads **116** at the location of the hole in which the via **116** is located.

The ground trace pads **114** are similar in construction to the connection pads **100** of the flex traces **36**. The vias **116** are formed in the area of the ground trace pads **114** at a location slightly beyond the ends of the contacts **96**. As is shown in FIG. **10**, the ground trace pads are located on opposite sides of the flex circuit **32** to allow a single via **116** to extend through the flex circuit and connect two ground trace pads **114** on opposite sides of the ground plane conductor **54**. Thus, each insert **62** which mates with a socket **64** that is connected to a grounding clip **70** is electrically connected to the ground plate conductor **54**.

The force from deflection of the contact **96** causes the region **98** to press firmly against the ground trace pad **114** to establish good electrical contact, in the same manner that the force from deflection of the contact **96** causes a good electrical contact with the connection pads **100** of the traces **36**. It is desirable to have the ground path connections be of an impedance as low as possible, to avoid signal distortions. The vias **116** can be made large and therefore relatively easy to fabricate. In other situations, the vias would have to be made relatively small to obtain impedance matching.

Details concerning the connection of the microstrip flex circuit **32** to the electronic circuit **24** are shown in FIGS. **3, 4** and **9**. In general, the extensions **38** of the flex traces **36** and similar extensions **38** of the ground plane conductor **54** extend from the flex circuit **32**. The extensions are unsupported by the other portions of the flex circuit **32** as a result of removing and eliminating the insulation layers **56** and **60**, the traces **36** and the ground plane conductor **54** surrounding the extensions **38**. The unsupported extensions **38** are connected, preferably by a reflow solder technique, to the flat bonding pads **40** located along an edge of the circuit board **28**.

Because the extensions **38** are not supported at the end of the flex circuit **32**, the extensions **38** can contact the pads **40** on one or both sides of the circuit board **26**. FIG. **9** illustrates three adjoining extensions **38** on the upper surface (as shown) of the flex circuit **32** connected to bonding pads **40** on the same upper surface of the circuit board **28**. As is also illustrated in FIGS. **4** and **9**, the extensions **38** from the traces **36** on both sides of the ground plane conductor **54** may be bent in an offset manner to lie in a single plane. Thus the extensions **38** may be bent to accommodate attachment to the bonding pads on either side of a circuit board or at any planar location along the thickness (shown in FIG. **4**) of the flex circuit **32**. To create structural strength at the connection of the flex circuit **32** to circuit board **28** of the electronic circuit **24**, a bead of structural potting compound **118** such as epoxy is added to connect the circuit board and the flex circuit.

A relatively large sized face to face solder connection of the extensions **38** to the bonding pads **40** creates a surface mount connection with a very high bandwidth and impedance control. A very high density of circuit connections is achieved by this technique, because of the relatively close spacings between adjoining extensions **38** and adjoining pads **40** and **100**. The use of unsupported leads in the surface soldering connection eliminates the difficult prior art technique of blind soldering surface pads of the flex circuit **32** which are connected by small vias to traces **36**.

Details of the coax to coax connector **41** are shown in FIGS. **13** and **14**. The coax to coax connector **41** includes a socket retaining portion **120** and an insert retaining portion **122**. Many of the components employed in the socket retaining portion **120** and the insert retaining portion **122** are the same as or very similar to those employed in the coax to flex connector **34**.

The socket retaining portion **120** of the coax to coax connector **41** includes a body **124** of electrically insulating material, as is shown in FIG. **13**. A plurality of holes **126** are formed in the body **124** in a row. Multiple rows of holes **126** could also be formed in the connector body **124** if the size of the socket retaining portion **120** permits. Sockets **62** are inserted in the holes **126** until the ends **75** of the sockets **62** project beyond a mating surface **128** of the body **124** by a predetermined length. The sockets **62** are retained in the body **124** in the same manner previously described in conjunction with the coax attachment portion **42** of the coax to flex connector **34**. The sockets **62** are also connected to the coaxial cables **22** and to the grounding clip **70** in the same manner described in conjunction with the coax attachment portion **42**. Adhesive bonding material **130**, such as epoxy, helps retain the coaxial cables **22**, the ground clips **70** and the sockets **62** to the body **124**.

The insert retaining portion **122** includes a body **132** of electrically insulating material with a plurality of holes **134** formed therein in a row, as is shown in FIG. **14**. Multiple rows of holes **134** may be formed in the connector body **132** if the size permits. The number of holes **134**, the number of rows of holes **134**, and the location of the holes **134** in the body **132** should correspond to those in the socket retaining portion **120** to allow the retaining portions to mate. A mating surface **136** of the body **132** contacts the mating surface **128** of the socket retention portion **120** (FIG. **13**) when the portions **120** and **122** are connected together.

Inserts **138** are connected to the projection portion **74** of the grounding clips **70** and to the center conductors **50** of the coaxial cable **22**, preferably by crimping an end of the socket **64** or by soldering. The outer cover **44**, shielding conductor **46**, inner insulation **48** and center conductor **50** are all stripped in a stepped configuration as shown to accommodate this connection. The end of the outer cover **44** preferably contacts or is closely adjacent to the wing portions **72** of the grounding clip **70** at the location where they are bent around the shielding conductor **46**. After connecting the inserts **138**, they are inserted into and retained in the holes **134** in the body **132**. The inserts **138** are similar to those inserts **62** used in the flex connector portion **52** (FIG. **8**) except that the S-shaped contact **96** is removed from the inserts **138**. In addition, the body portion **88** of each insert **138** is crimped or otherwise connected to the center conductor **50** of the coaxial cables **22** and to the projection portion **74** of the grounding clip **70**. The wing portions **72** of the grounding clip **70** are bent around and connected to the shielding conductors **46** of coaxial cables in the manner previously described. The inserts **138** are retained in the holes **134** by an adhesive or by a friction fit of the body



## 13

portion **88** within the holes **134**. Adhesive or epoxy material **140** (FIG. **13**) helps retain the coaxial cables **22** to the body **132**.

The socket retaining portion **120** mates with the insert retaining portion **122** of the coax to coax connector **41** in essentially the same manner that the attachment portions **52** and **42** of the coax to flex connector **34** mate together as shown in FIG. **5**. That is, the fingers **90** fit within the interior of the sockets **64** to establish a good electrical connection.

The components of the connection assembly **20** are shown in electrical schematic form in FIG. **15**. The electrical connections and paths between the electronic circuit and the coaxial cables is illustrated for reference and comparison purposes with respect to the preceding description.

The connection assembly **20** establishes and maintains controlled impedance paths which are generally shielded from exterior radiated signals over substantially the entire length of the signal transmission through the assembly **20**. In the coax to flex connector **34** and in the flex to flex connector **41**, the relatively small region of the insert **62** and socket **64** selection of an appropriate plastic insulating material for the connector bodies and spacing of the socket and insert connections will achieve a specific path impedance. As a result, both superior signal communication bandwidth and high density electrical connections are achieved in relatively small spaces by the connection assembly **20**.

A presently preferred embodiment of the invention has been described with a degree of particularity. This description is of a preferred example for implementing the invention. The scope of the invention should not necessarily be limited by this description, but is defined by the scope of the following claims.

The invention claimed:

**1.** A connection assembly including a coaxial cable to microstrip flex circuit connector which interconnects a center conductor and a shielding conductor of a coaxial cable with a trace and a ground plane conductor of a microstrip flex circuit respectively, said coaxial cable to microstrip flex circuit connector comprising:

a coaxial cable attachment portion mechanically attached to a plurality of coaxial cables, the coaxial cable attachment portion including a plurality of first electrical connectors, each of which is separately electrically connected to the center conductor of the coaxial cable and a plurality of second electrical connectors, each of which is electrically connected to at least one shielding conductor of the plurality of coaxial cables;

a microstrip flex circuit attachment portion mechanically attached to a microstrip flex circuit having a plurality of traces, the microstrip flex circuit attachment portion including a plurality of third electrical connectors, each of which is separately electrically connected to a trace, and a plurality of fourth connectors, each of which is commonly connected to the ground plane conductor; and wherein:

the coaxial cable attachment portion and the microstrip flex circuit attachment portion mate with one another and when mated separately connect the first and third electrical connectors and the second and fourth electrical connectors.

**2.** A connection assembly as defined in claim **1** wherein: the coaxial cable attachment portion includes a body which retains the first and second electrical connectors in a predetermined pattern;

the microstrip flex circuit attachment portion includes a body which retains the third and fourth electrical connectors in a predetermined pattern;

## 14

the predetermined pattern of the electrical connectors in the body of the coaxial attachment portion corresponds with the predetermined pattern of the electrical connectors in the body of the microstrip flex circuit attachment portion; and

the predetermined patterns of electrical connectors in the bodies of the coaxial attachment portion and the microstrip flex circuit attachment portion allowing contact of the first electrical connectors with the third electrical connectors and allowing contact of the second electrical connectors with the fourth electrical connectors when the attachment portions mate together.

**3.** A connection assembly as defined in claim **2** wherein: the first and third electrical connectors are each of a same first structure;

the second and fourth electrical connectors are each of a same second structure; and

the first and second structures are adapted to connect with one another.

**4.** A connection assembly as defined in claim **3** wherein: one of the first or second structure is an insert; and

the other one of the first or second structure is a socket.

**5.** A connection assembly as defined in claim **2** wherein: the center conductors of a first plurality of coaxial cables are each connected to [on] a first electrical connector; and

the shielding conductors of the first plurality of coaxial cables are commonly connected to a second electrical connector located in the predetermined pattern in adjacency with the first electrical connectors to which the center conductors of the first plurality of coaxial cables are connected.

**6.** A connection assembly as defined in claim **5** wherein said coaxial cable to microstrip flex circuit connector further comprises:

a grounding clip connected to the coaxial cable attachment portion and to the shielding conductors of the first plurality of coaxial cables, the grounding clip further including a projection portion connected to a second electrical connector.

**7.** A connection assembly as defined in claim **6** wherein: the predetermined pattern of electrical connectors is at least one row in the each attachment portion;

the first plurality of coaxial cables is two coaxial cables; the grounding clip further includes two wing portions, each wing portion extending to and connecting with one shielding conductor of each of the two coaxial cables of the first plurality; and

the grounding clip further includes a projecting portion connecting to a second electrical connector.

**8.** A connection assembly as defined in claim **7** wherein: the predetermined pattern of electrical connectors is at least one row in each attachment portion;

the first electrical connectors are located in the first and third positions a sequence of three electrical connectors in the row;

the second electrical connector is located in the second position in the sequence of the three electrical connectors in the row;

the grounding clip is generally T-shaped with the wing portions extending outward from the projecting portion of the grounding clip;

the wing portions of the grounding clip extend to and connect with the shielding conductors of the coaxial



## 15

cables which have center conductors connected to the first electrical connectors in the first and third positions in the sequence of the three electrical connectors in the row; and

the projecting portion of the grounding clip extends to and connects with the second electrical connector in the second position in the sequence of the three electrical connectors in the row.

9. A connection assembly as defined in claim 8 wherein: the wing portions of the grounding clip are connected to the shielding conductors of the coaxial cables by bending the wing portions around a portion of the shielding connectors.

10. A connection assembly as defined in claim 9 wherein: the first and second electrical connectors are each sockets; the sockets are retained in holes formed in the predetermined pattern in the body of the coaxial cable attachment portion with each socket projecting from a mating surface of the body of the coaxial cable attachment portion; and

the third and fourth electrical connectors are each an insert;

the inserts are positioned in holes in the body of the microstrip flex circuit attachment portion with each insert recessed from a mating surface of the body of the microstrip flex circuit attachment portion; and

the inserts contact the sockets when the attachment portions connect with one another.

11. A connection assembly as defined in claim 2 wherein: each of a first plurality of traces of the microstrip flex circuit is connected to a third electrical connector; and each of the fourth electrical connectors is commonly connected to the ground plane conductor of the microstrip flex circuit.

12. A connection assembly as defined in claim 11 wherein: each of the third and fourth electrical connectors includes a contact end extending from the body of the microstrip flex circuit attachment portion; and

the contact ends of the third electrical connectors contact traces of the microstrip flex circuit.

13. A connection assembly as defined in claim 12 wherein:

the microstrip flex circuit includes ground trace pads formed between traces, and electrical connections between the ground trace pads and the ground plane conductor; and

the contact ends of the fourth electrical connectors contact and are connected to the ground trace pads of the microstrip flex circuit.

14. A connection assembly as defined in claim 13 wherein:

the ground trace pads are connected to the ground plane conductor by a plated through hole.

15. A connection assembly as defined in claim 12 wherein:

the microstrip flex circuit includes a layer of insulation adjacent to the ground plane conductor and exposed areas of the ground plane conductor surrounded by the insulation; and

the contact ends of the fourth electrical connectors contact the exposed areas of the ground plane conductor of the microstrip flex circuit.

16. A connection assembly as defined in claim 12 wherein:

## 16

the predetermined pattern of electrical connectors is at least one row in the microstrip flex circuit attachment portion;

the third electrical connectors are located in the first and third positions in a sequence of three electrical connectors in the row;

a fourth electrical connector is located in the second position of the sequence of the three electrical connectors in the row;

two traces are located spaced apart on the microstrip flex circuit to connect the contact end of each third electrical connector to each of the two traces; and

the contact end of each fourth electrical connector is connected to the ground plane conductor at a location between the two traces to which the contact ends of the third electrical connectors are attached.

17. A connection assembly as defined in claim 16 wherein:

the predetermined pattern of electrical connectors is two parallel rows in the microstrip flex circuit attachment portion, the two rows are spaced transversely apart; and

the microstrip flex circuit is positioned between the two rows with the contact ends of the third and fourth electrical connectors connected to the traces and ground plane conductor, respectively.

18. A connection assembly as defined in claim 17 wherein:

the microstrip flex circuit includes traces and ground trace pads on opposite sides of the ground plane conductor and separated from the ground plane conductor by a layer of insulation;

the third electrical connectors are located in the first and third positions of the sequence of the three electrical connectors in each of the two rows, each third electrical connector in one row is directly opposite of a third electrical connector in the other row;

a fourth electrical connector is located in the second position in the sequence of the three electrical connectors in each row, the fourth electrical connector of one row is directly opposite of the fourth electrical connector in the other row;

the distance between the retaining ends of the electrical conductors in the two rows is approximately equal to the distance between the traces and ground trace pads on opposite sides of the microstrip flex circuit; and

the traces and ground trace pads on opposite sides of the ground plane conductor are connected to the contact ends of the third and fourth electrical connectors.

19. A connection assembly as defined in claim 18 wherein:

the first and second electrical connectors are each sockets;

the sockets are retained in holes formed in the predetermined pattern in the body of the coaxial cable attachment portion with each socket projecting from a mating surface of the body of the coaxial cable attachment portion; and

the third and fourth electrical connectors are each an insert;

the inserts are positioned in holes in the body of the microstrip flex circuit attachment portion located in a predetermined position corresponding with the locations of the sockets, each insert is recessed from a mating surface of the body of the microstrip flex circuit attachment portion; and



17

the inserts contact the sockets when the attachment portions connect with one another.

20. A connection assembly as defined in claim 17 wherein:

the microstrip flex circuit includes traces located on opposite sides of the ground plane conductor, a layer of insulation adjacent to the ground plane conductor and exposed areas of the ground plane conductor surrounded by the insulation;

the third electrical connectors are located in the first and third positions of the sequence of the three electrical connectors in each of the two rows, each third electrical connector in one row is directly opposite of a third electrical connector in the other row;

a fourth electrical connector is located in the second position in the sequence of the three electrical connectors in each row, the fourth electrical connector of one row is directly opposite of the fourth electrical connector in the other row; and

the traces on opposite sides of the ground plane conductor and the exposed areas of the ground plane conductor are connected to the contact ends of the third and fourth electrical connectors.

21. A connection assembly as defined in claim 20 wherein:

the first and second electrical connectors are each sockets; the sockets are retained in holes formed in the predetermined pattern in the body of the coaxial cable attachment portion with each socket projecting from a mating surface of the body of the coaxial cable attachment portion; and

the third and fourth electrical connectors are each an insert;

the inserts are positioned in holes in the body of the microstrip flex circuit attachment portion located in a predetermined position corresponding with the locations of the sockets, each insert is recessed from a mating surface of the body of the microstrip flex circuit attachment portion; and

the inserts contact the sockets when the attachment portions connect with one another.

22. A connection assembly including a microstrip flex circuit to electrical circuit connector which interconnects a plurality of traces and a ground plane conductor of the microstrip flex circuit to connection pads formed on the electrical circuit, and a coaxial cable to microstrip flex circuit connector which interconnects a center conductor and a shielding conductor of a coaxial cable with a trace and a ground plane conductor of a microstrip flex circuit respectively, said coaxial cable to microstrip flex circuit connector comprising:

a coaxial cable attachment portion mechanically attached to the coaxial cable, the coaxial cable attachment portion including a first electrical connector electrically connected to the center conductor of the coaxial cable and a second electrical connector electrically connected to the shielding conductor;

a microstrip flex circuit attachment portion mechanically attached to the microstrip flex circuit, the microstrip flex circuit attachment portion including a third electrical connector electrically connected to a trace and a fourth connector electrically connected to the ground plane conductor; wherein: the coaxial cable attachment portion and the microstrip flex circuit attachment portion mate with one another and when mated separately

18

connect the first and third electrical connectors and the second and fourth electrical connectors; and said microstrip flex circuit to electrical circuit connector comprising:

a plurality of unsupported extensions of the traces and the ground plane conductor extending from the microstrip flex circuit; and

an electrical shaft to surface connection of the extensions to the connection pads on the electrical circuit.

23. A connection assembly as defined in claim 22 wherein:

the microstrip flex circuit includes traces located on opposite sides of the ground plane conductor, a layer of insulation adjacent to the ground plane conductor and exposed areas of the ground plane conductor surrounded by the insulation;

the electrical circuit includes a printed circuit board and the connection pads are located on a side of the printed circuit board; and

at least one extension is bent from one side to the other side of the microstrip flex circuit to connect to a connection pad located adjacent to the other side of the microstrip flex circuit.

24. A connection assembly as defined in claim 23 wherein:

at least one extension from the ground plane conductor bent to connect to a connection pad on the printed circuit board.

25. A connection assembly as defined in claim 23 wherein said microstrip flex circuit to circuit board connection further includes a potting material connecting the microstrip flex circuit to the printed circuit board.

26. *A method for coupling conductive layers of a microstrip flex circuit to trace conductor and a ground conductor of a microstrip flex circuit connector, comprising the steps of:*

*providing a microstrip flex circuit having an outer insulation layer, an outer conductive layer interior to the outer insulation layer, an inner insulation layer interior to the outer conductive layer, and an inner conductive layer interior to the inner insulation layer;*

*removing the outer insulation layer in those areas in which the outer conductive layer of the microstrip flex circuit is to be in contact with the microstrip flex connector;*

*positioning the trace conductor of the microstrip flex circuit connector in contact with the exposed outer conductive layer of the microstrip flex circuit;*

*removing the outer insulation layer, the outer conductive layer, and the inner insulation layer of the microstrip flex circuit in those areas in which the inner conductive layer of the microstrip flex circuit is to be in contact with the microstrip flex circuit connector; and*

*positioning the ground conductor of the microstrip flex circuit connector in contact with the exposed inner conductive layer of the microstrip flex circuit.*

27. *The method for coupling conductive layers of a microstrip flex circuit of claim 26,*

*wherein the outer conductive layer comprises a trace layer; and*

*wherein the inner conductive layer comprises a ground plane layer.*

28. *The method for coupling conductive layers of a microstrip flex circuit of claim 27, wherein the trace layer comprises a plurality of traces within a layer of insulation material.*



19

29. A method for coupling conductive layers of a microstrip flex circuit to a trace conductor and a ground conductor of a microstrip flex circuit connector, comprising the steps of:

providing a microstrip flex circuit having outer insulation layers, outer conductive layers interior to the outer insulation layers, inner insulation layers interior to the outer conductive layers, and an inner conductive layer interior to the inner insulation layers;

removing the outer insulation layers in those areas in which the outer conductive layers of the microstrip flex circuit are to be in contact with the microstrip flex connector;

positioning the trace conductor of the microstrip flex circuit connector in contact with the expressed outer conductive layers of the microstrip flex circuit;

removing the outer insulation layers, the outer conductive layers, and the inner insulation layers of the microstrip flex circuit in those areas in which the inner conductive layer of the microstrip flex circuit is to be in contact with the microstrip flex circuit connector; and

positioning the ground conductor of the microstrip flex circuit connector in contact with the exposed inner conductive layer of the microstrip flex circuit.

30. The method for coupling conductive layers of a microstrip flex circuit of claim 29,

wherein the outer conductive layer comprises a trace layer; and

wherein the inner conductive layer comprises a ground plane layer.

31. The method for coupling conductive layers of a microstrip flex circuit of claim 30, wherein the trace layer comprises a plurality of traces within a layer of insulating material.

20

32. A microstrip flex circuit coupled to a microstrip flex circuit connector, the microstrip flex circuit connector having a trace conductor and a ground conductor, the microstrip flex circuit comprising:

an outer insulation layer;

an outer conductive layer interior to the outer insulation layer;

an inner insulation layer interior to the outer conductive layer;

an inner conductive layer interior to the inner insulation layer;

wherein the outer insulation layer is removed to expose the outer conductive layer in those areas in which the outer conductive layer is in contact with a trace conductor of the microstrip flex circuit connector; and

wherein the outer insulation layer, the outer conductive layer, and the inner insulation layer are removed to expose the inner conductive layer in those areas in which the inner conductive layer is in contact with a ground conductor of the microstrip flex circuit connector.

33. The microstrip flex circuit of claim 32,

wherein the outer conductive layer comprises a trace layer; and

wherein the inner conductive layer comprises a ground plane layer.

34. The microstrip flex circuit of claim 33, wherein the trace layer comprises a plurality of traces within a layer of insulating material.

\* \* \* \* \*