



US00RE36696E

United States Patent [19]
Blackman

[11] E

Patent Number: Re. 36,696

[45] **Reissued Date of Patent: May 16, 2000**

[54] **LIGHT FIXTURE HAVING THE COMBINATION OF A DETACHABLE FLASHLIGHT, A NIGHT LIGHT, AND A FLUORESCENT LIGHT CONTAINED THEREIN**

[76] Inventor: **Stephen E. Blackman**, 248 Columbia Turnpike, Florham Park, N.J. 07932

[21] Appl. No.: **08/907,843**

[22] Filed: **Aug. 8, 1997**

Related U.S. Patent Documents

Reissue of:

[64] Patent No.: **5,548,494**
Issued: **Aug. 20, 1996**
Appl. No.: **08/526,670**
Filed: **Sep. 11, 1995**

[51] **Int. Cl.**⁷ **F21V 25/02; F21L 7/00**

[52] **U.S. Cl.** **362/20; 362/183; 362/184; 362/228**

[58] **Field of Search** **362/20, 183, 184, 362/219, 228, 234, 251, 276, 802**

[56] **References Cited**

U.S. PATENT DOCUMENTS

1,875,956 9/1932 Thiel 362/184
3,535,506 10/1970 Moore et al. 362/184

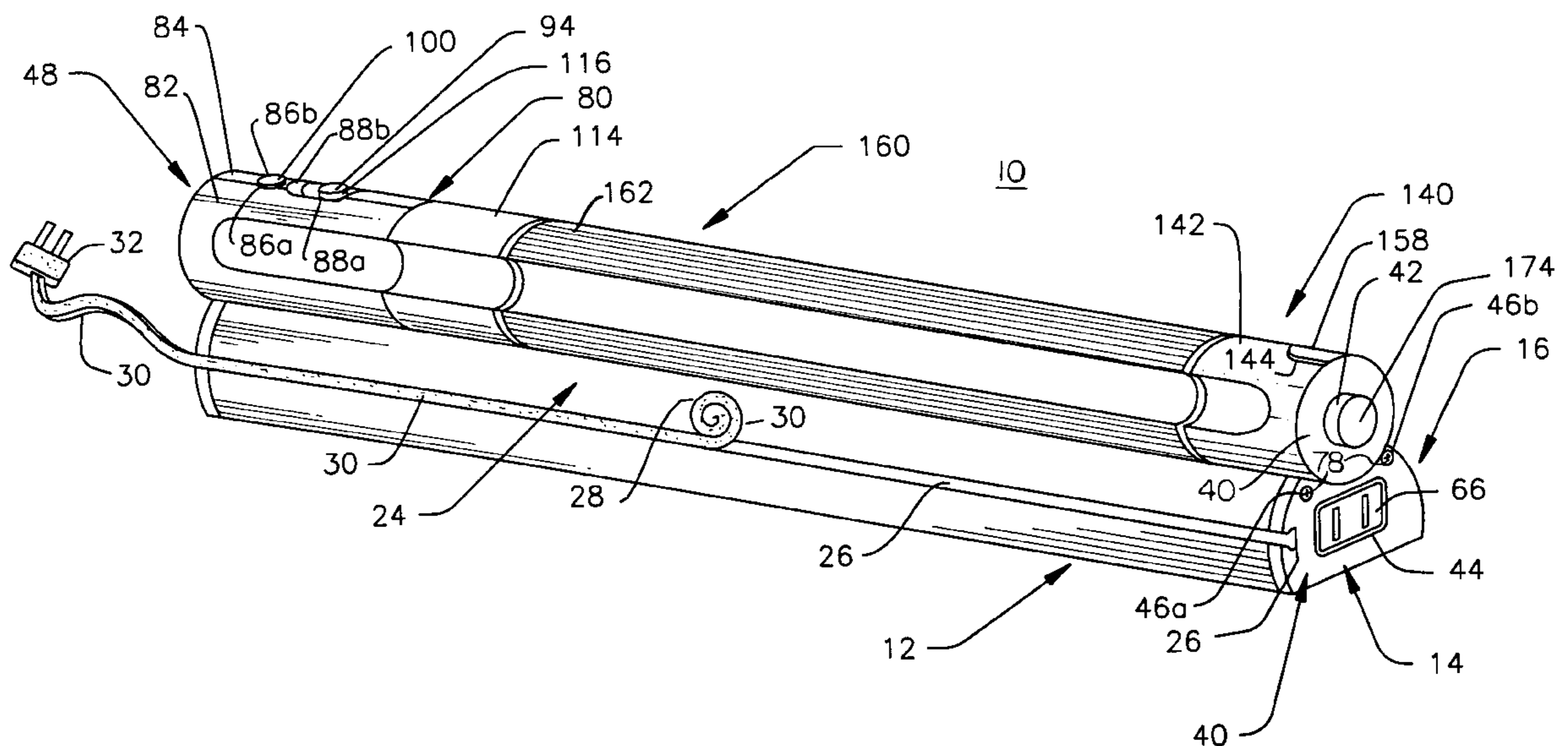
4,177,500	12/1979	Nicholl et al.	362/20
4,357,648	11/1982	Nelson	362/183
4,432,043	2/1984	Yuen	362/184
4,590,543	5/1986	Chen	362/183
4,611,264	9/1986	Bradley	362/95
4,631,649	12/1986	McCue et al.	362/20
4,682,078	7/1987	Pascalide	362/20
4,782,432	11/1988	Coffman	362/184
4,977,489	12/1990	Fung	362/184
5,467,258	11/1995	Bamber et al.	362/183

Primary Examiner—Alan Cariaso
Attorney, Agent, or Firm—Ezra Sutton

[57] **ABSTRACT**

A lighting fixture for mounting under a cabinet or under a counter or on a wall area, including a housing having a device for mounting the housing under a cabinet or under a counter or on a wall area; a fluorescent light fixture mounted in the housing; a night light mounted in the housing; and a battery-operated detachable flashlight assembly removably mounted in the housing. The flashlight assembly includes a battery recharger, an electrical device, such as a male plug, for interconnecting the battery recharger and a power source, and an electrical device for sensing a power loss. The light fixture also includes a flashlight electrical connection in the housing, such as a plug receptacle, for connection to the male plug for supplying power from the power source to the detachable flashlight assembly; and one or more diffusers for the housing.

46 Claims, 9 Drawing Sheets



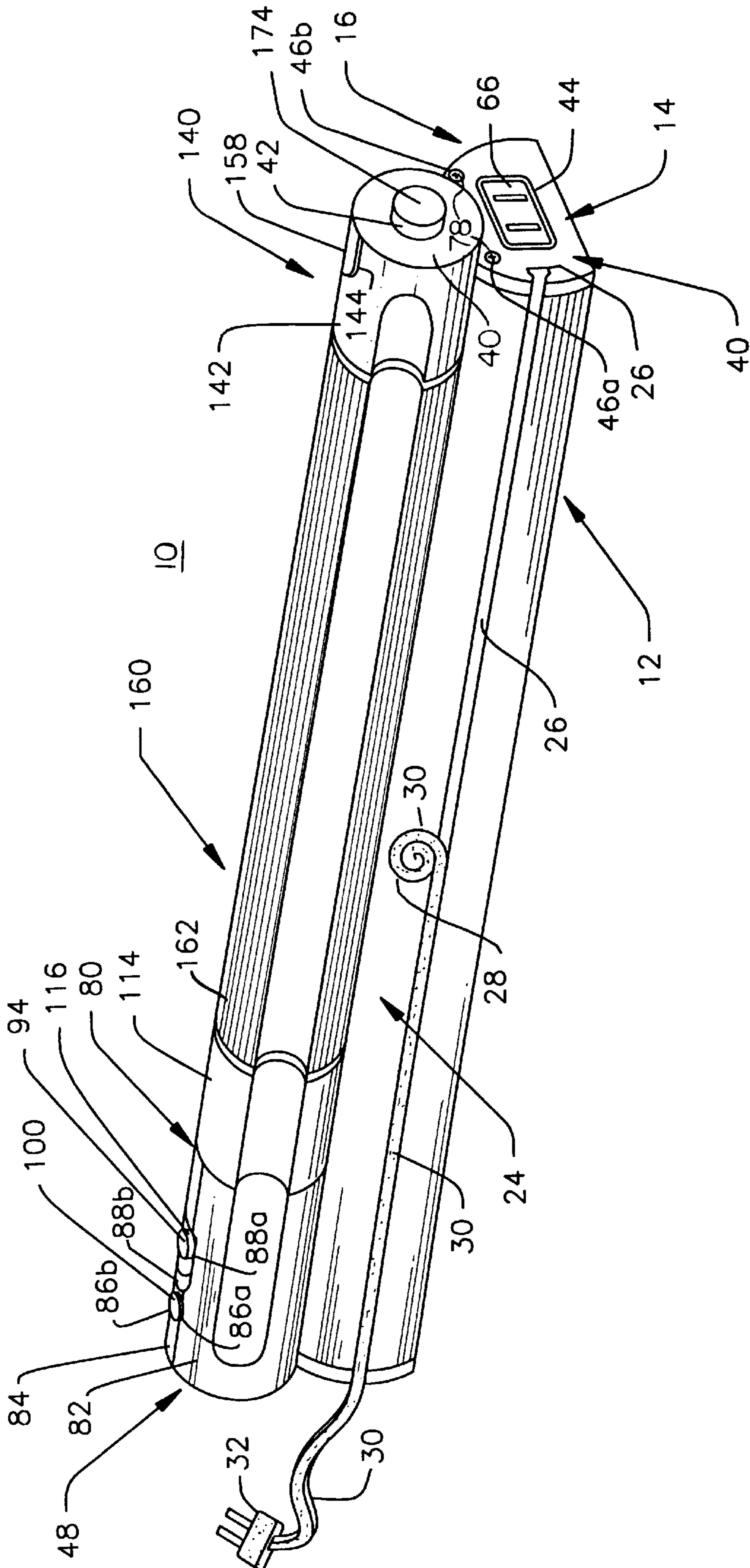


FIG. 1

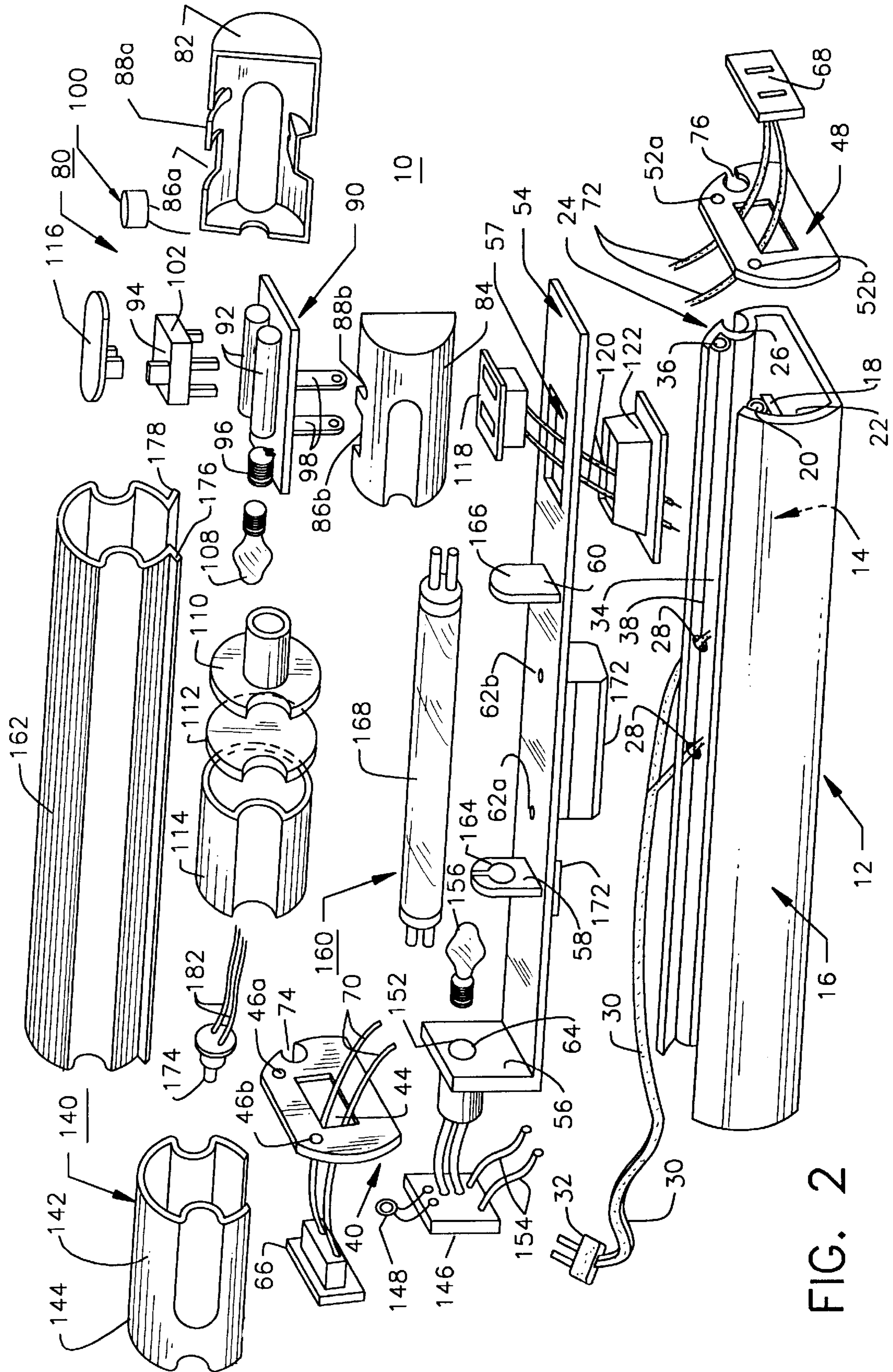


FIG. 2

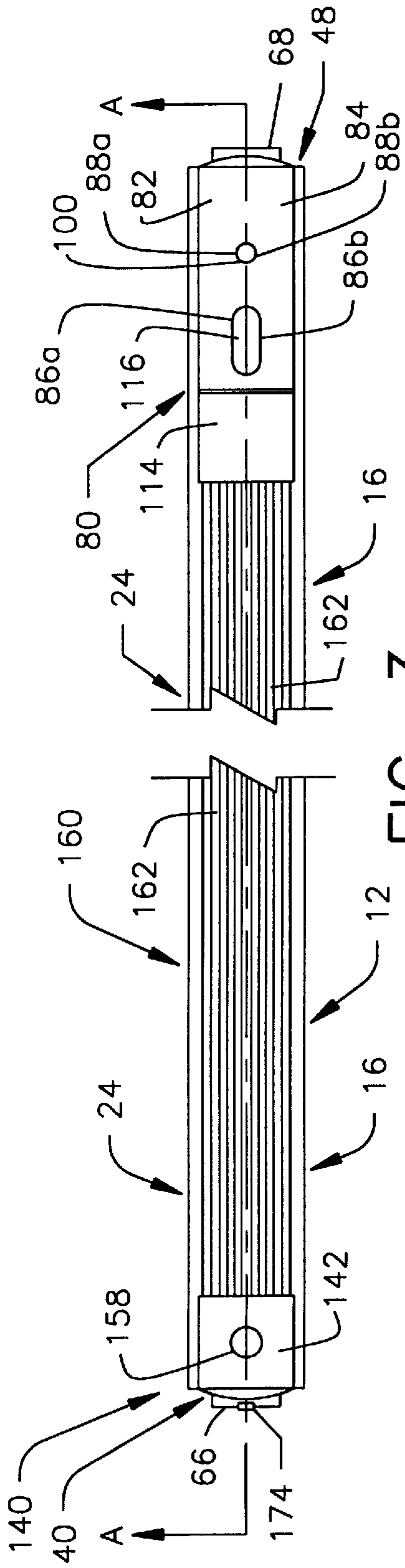


FIG. 3

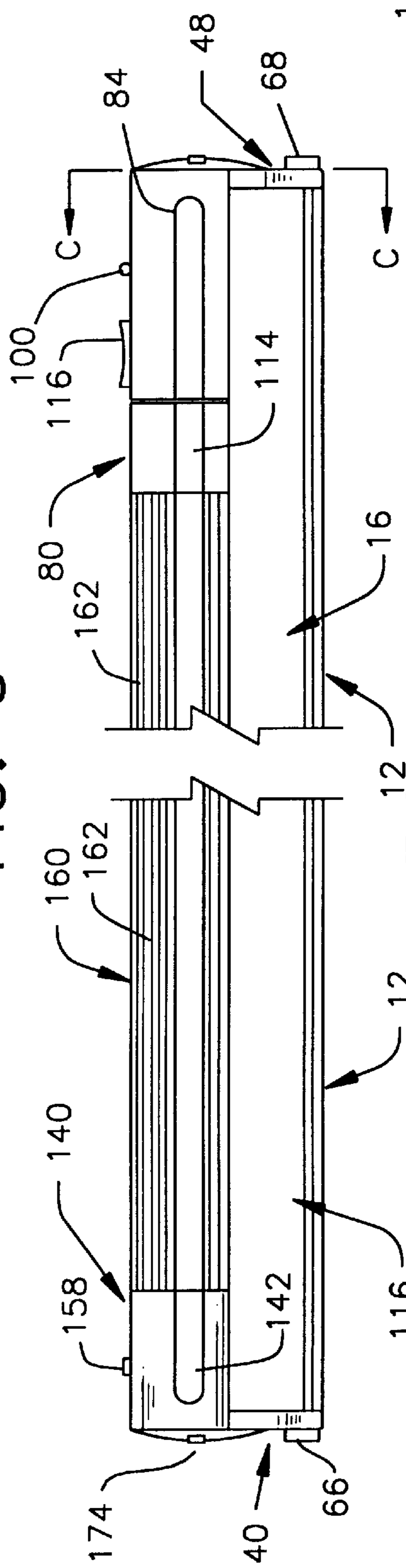


FIG. 4

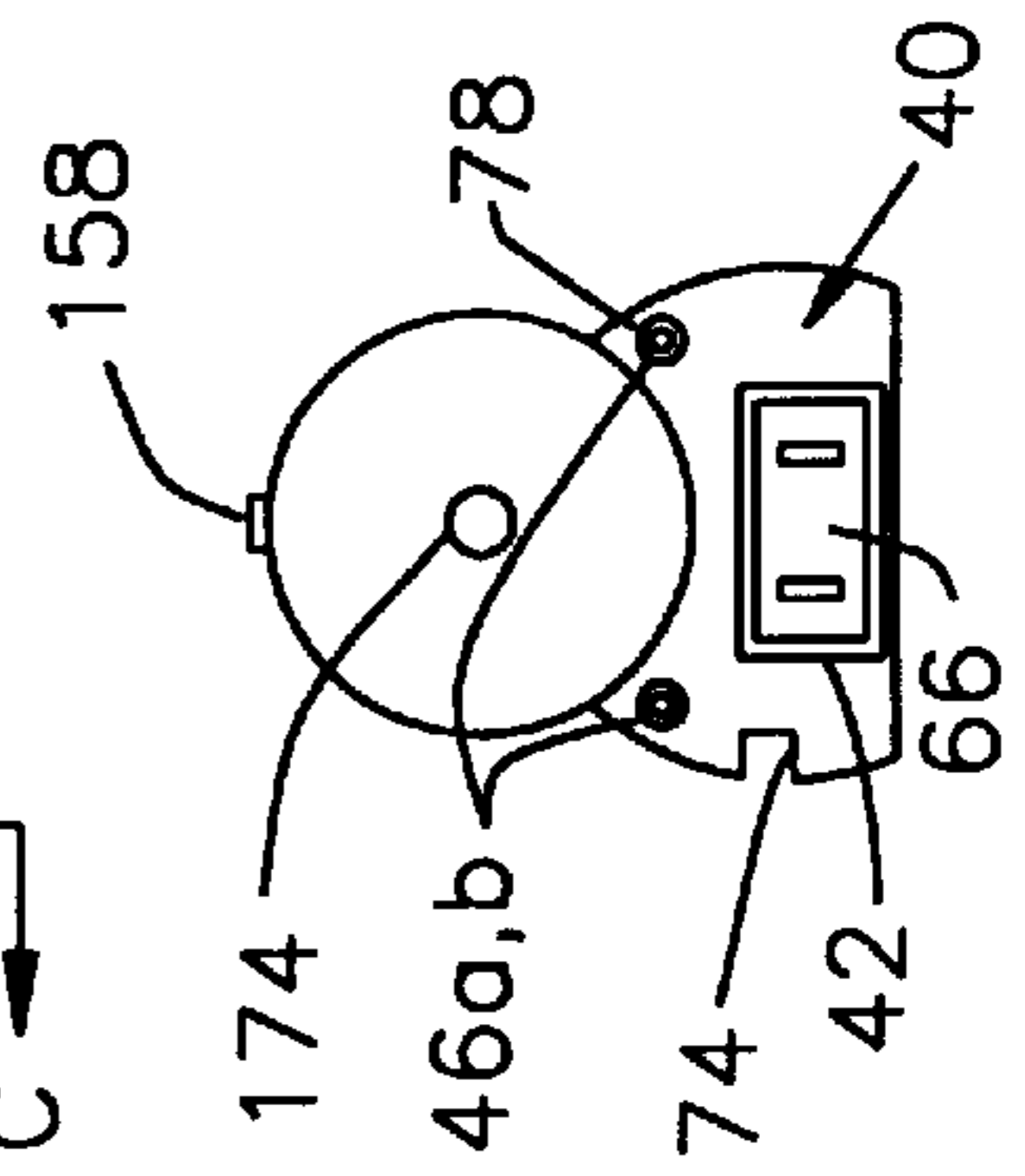


FIG. 5

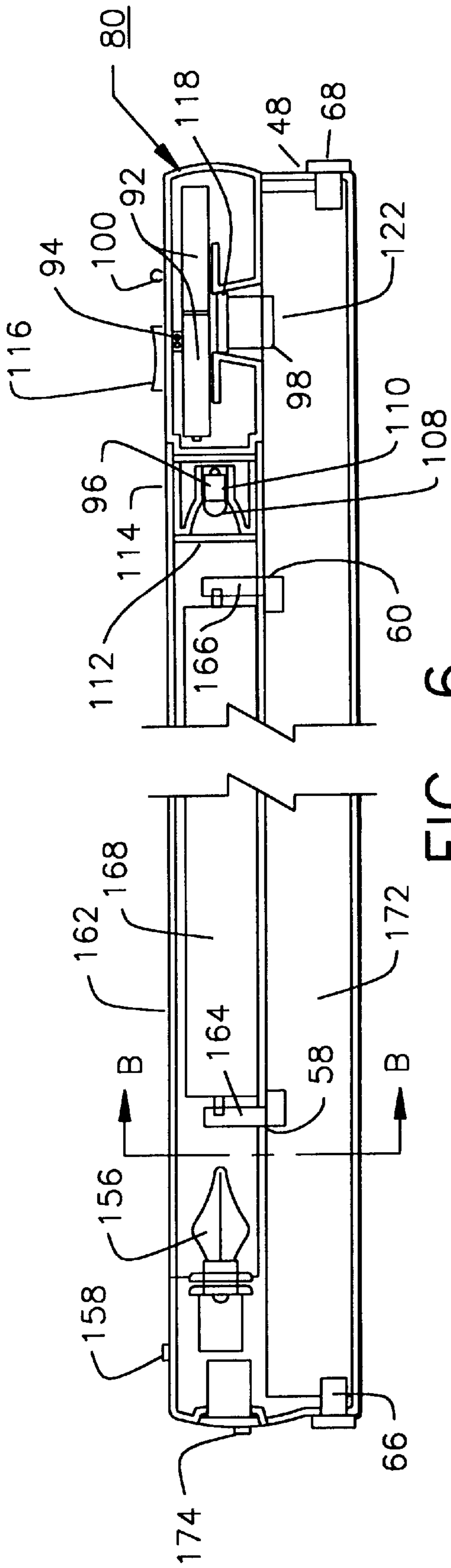


FIG. 6

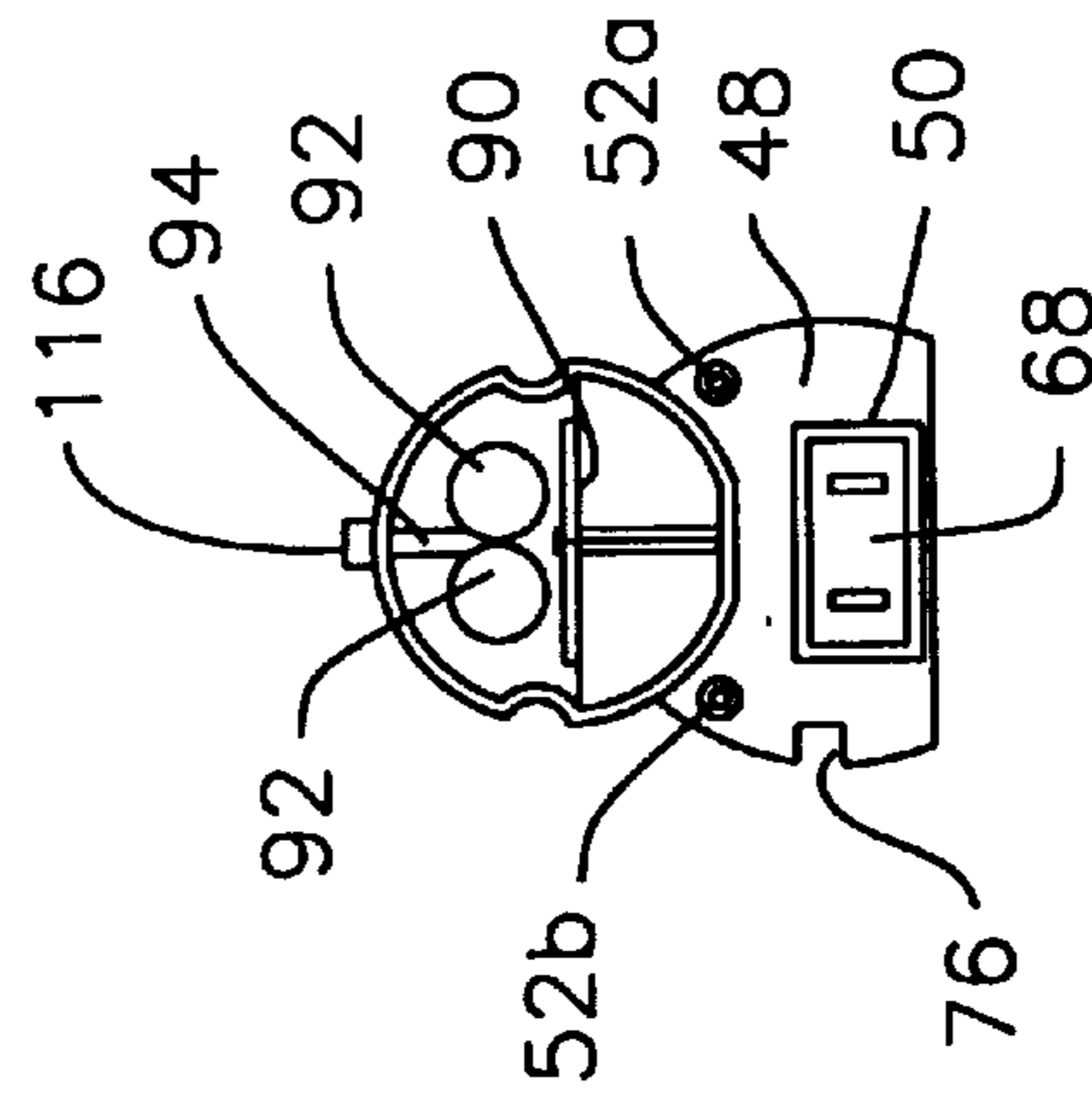


FIG. 7

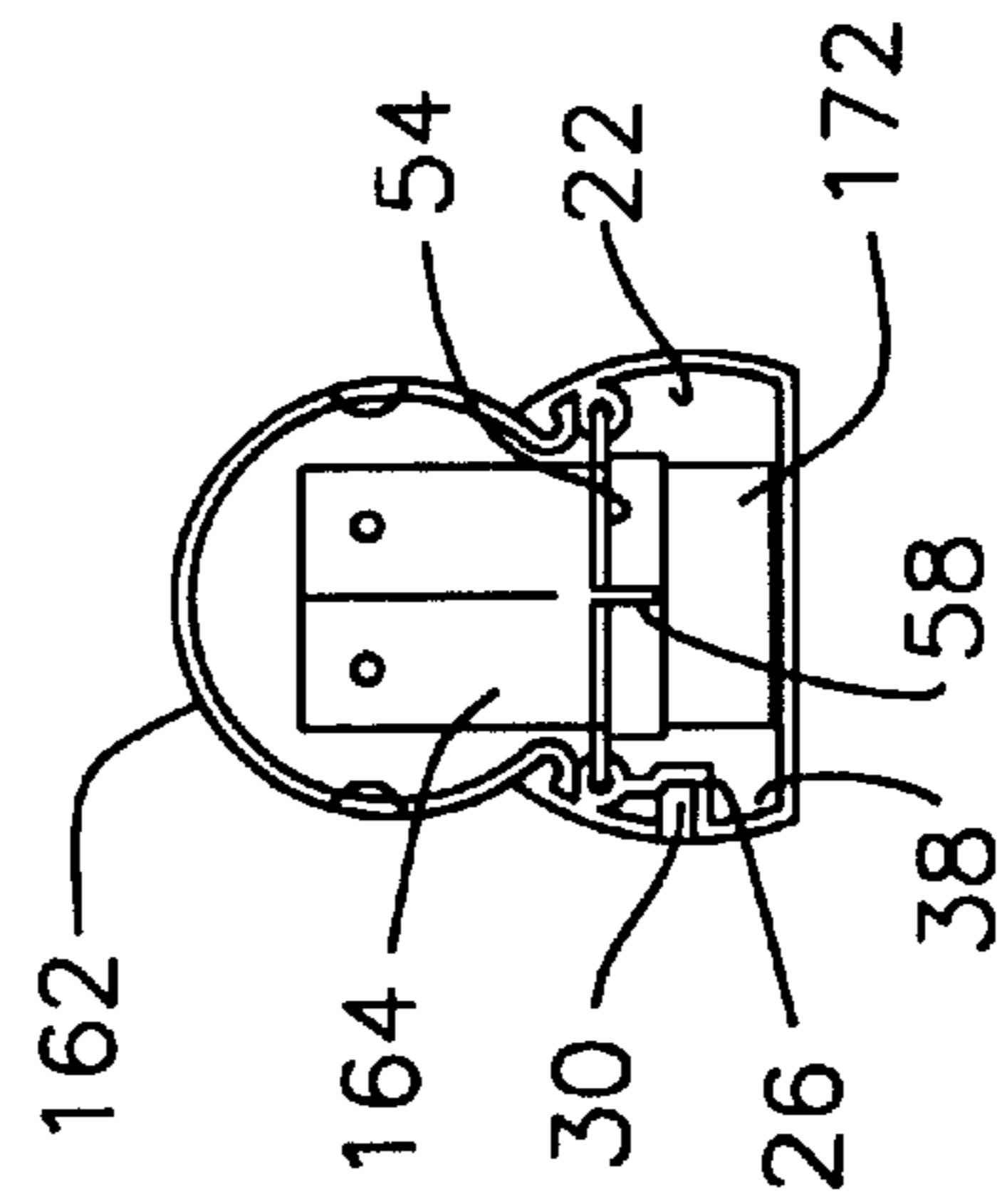


FIG. 8

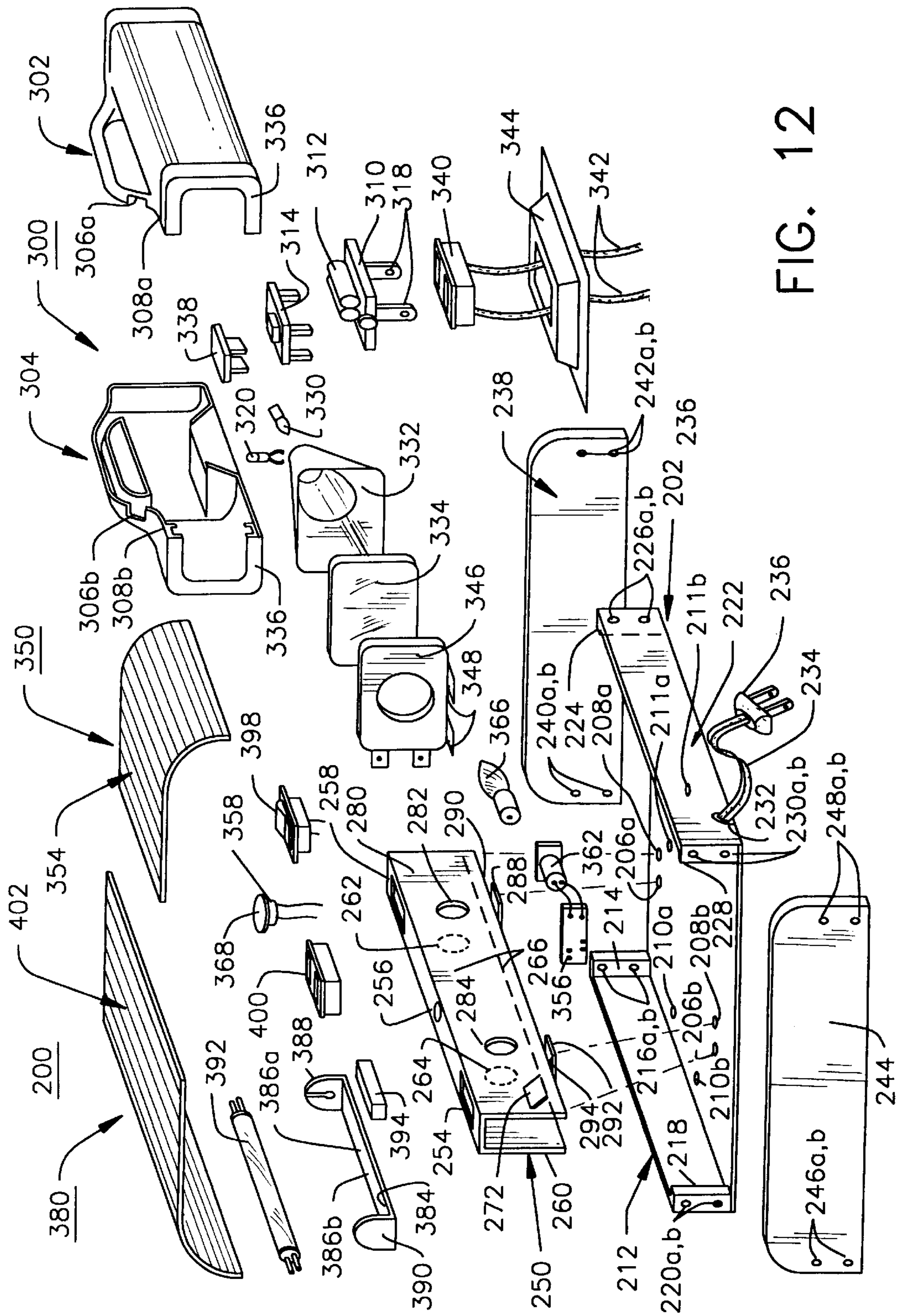


FIG. 12

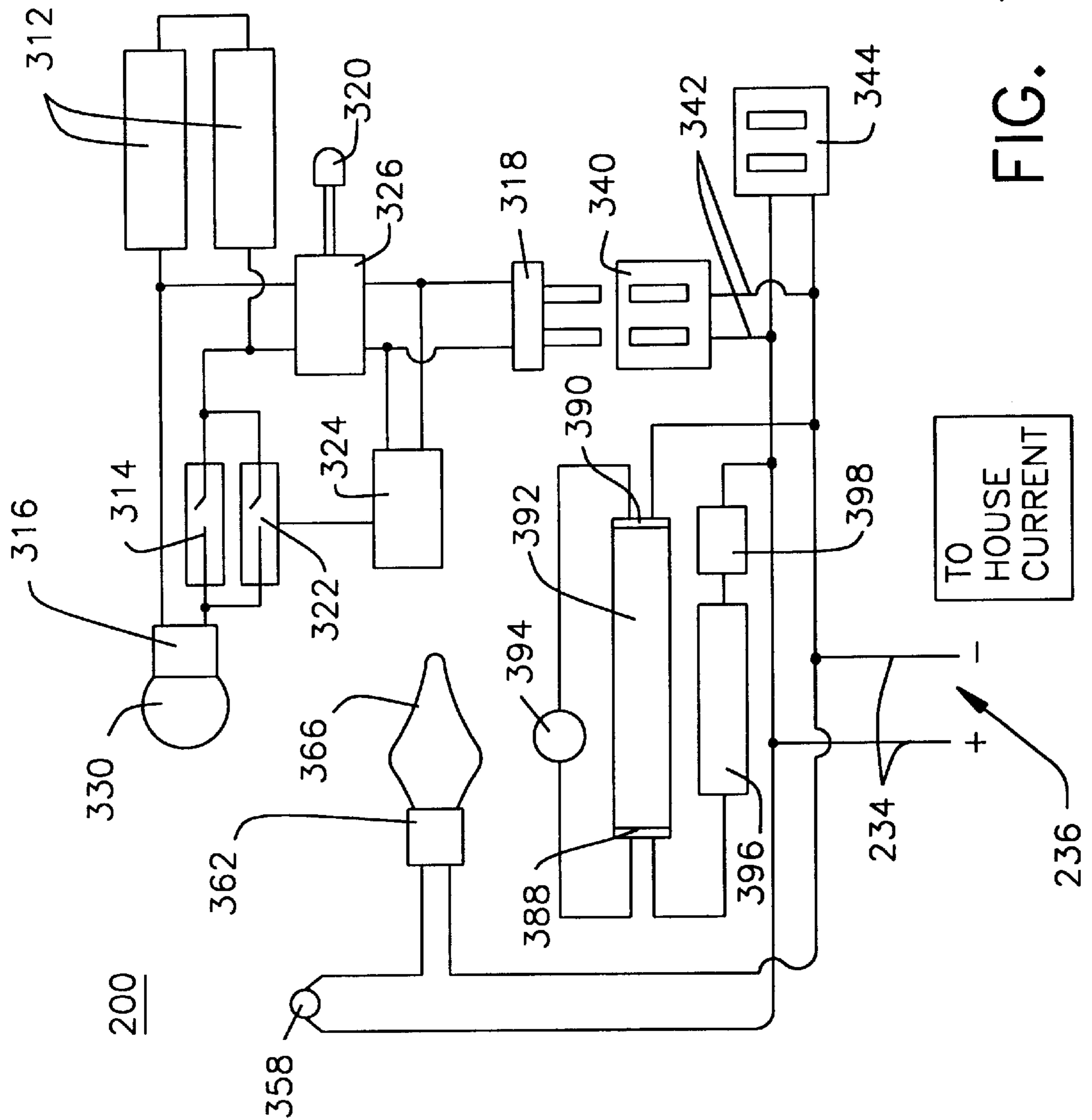


FIG. 13

**LIGHT FIXTURE HAVING THE
COMBINATION OF A DETACHABLE
FLASHLIGHT, A NIGHT LIGHT, AND A
FLUORESCENT LIGHT CONTAINED
THEREIN**

Matter enclosed in heavy brackets [] appears in the original patent but forms no part of this reissue specification; matter printed in italics indicates the additions made by reissue.

FIELD OF THE INVENTION

The invention relates to an under cabinet/counter lighting fixture used as a standard lighting source for a room or an emergency lighting source and, more particularly, this lighting fixture includes three components being a detachable flashlight, a night light, and a fluorescent light fixture.

BACKGROUND OF THE INVENTION

Several types of multi-functional lamp fixtures, which are typically mounted on walls or ceilings, have been utilized in the past in a users home, office, or industrial plant facility. These multi-functional lamps can be used for normal operational functions; or for emergency situations involving power failures, where interior or exterior areas have no light. Such multi-functional lighting fixtures have various combinations that include: a fluorescent lamp and a spotlight; a rechargeable flashlight and a night light; a fluorescent lamp, a spotlight and an emergency strobe light; and a flashlight, a fluorescent lamp, and an emergency hazard warning light. These multi-functional lamp fixtures have the ability to be stationary, or portable, or stationary and portable, where the input power for the stationary fixture component is from an AC adaptor or AC receptacle; and the input power for the portable fixture component is from a DC adaptor or batteries.

There remains a need for a under cabinet lighting fixture which is capable of providing both normal and emergency lighting needs, where the fixture has both stationary and portable components being a detachable flashlight, a night light and a fluorescent light fixture contained within a singular housing element.

DESCRIPTION OF THE PRIOR ART

Multi-functional lamp fixtures of various designs, styles and materials of construction have been disclosed in the prior art. For example, U.S. Pat. No. 4,590,543 discloses a trilight being a fixed or portable lighting device, wherein a single light bulb acts as a night light, an emergency light, and a spotlight. The trilight is normally attached to a wall having an AC adaptor for charging the batteries. A pivotal light head can be adjusted to four angles 0°, 30°, 60°, and 90° to facilitate illumination. This patent does not disclose a portable lighting device having three different light fixtures.

U.S. Pat. No. 4,977,489 discloses a portable battery-operated lighting device having a flashlight section on one end, a fluorescent light section on the other end, and a hazard warning light section. This lighting device has a U-shaped configuration, with the fluorescent and warning light sections being pivotal at a 90° angle downwardly. This patent does not disclose a portable lighting device having a detachable flashlight and a night light.

U.S. Pat. No. 4,782,432 discloses a multi-function portable lighting device having a spotlight section, a fluorescent

light section, and a strobe light section being housed in an elongated cylindrical transparent housing. This patent does not disclose a portable lighting device having a detachable flashlight and a night light.

5 The under cabinet lighting device having a detachable flashlight on one end, a night light on the other end, and a fluorescent light in the middle is structurally different from the prior art. None of the aforementioned patents teach such a combination of features and structure.

10 Accordingly, it is a primary object of the present invention to provide an under cabinet lighting fixture having a detachable flashlight component on one end of the housing, a night light with a photosensor on the other end, and a fluorescent light in the middle section for use at home, in a office, or at a work facility.

15 Another object of the present invention is to provide for an emergency light source which is battery operated and rechargeable and is detachable from one end of the main housing of an under cabinet lighting fixture.

20 Another object of the present invention is to provide for a night light fixture having a photosensor cell for automatically turning on the night light bulb when there is insufficient light in a room using the present invention.

25 Another object of the present invention is to provide for an under cabinet lighting fixture that is simple and easily installable, and is mounted to a cabinet bottom, or a counter bottom, or a wall area by a user.

30 A further object of the present invention is to provide for an under cabinet lighting fixture which can be a mass produced in an automated and economical manner and is readily affordable by the consumer.

SUMMARY OF THE INVENTION

35 A lighting fixture for mounting under a cabinet or under a counter or on a wall area, including a housing having a device for mounting the housing under a cabinet or under a counter or on a wall area; a fluorescent light fixture mounted in the housing; a night light mounted in the housing; and a battery-operated detachable flashlight assembly removably mounted in the housing. The flashlight assembly includes a battery recharger, an electrical device, such as a male plug, for interconnecting the battery recharger and a power source, and an electrical device for sensing a power loss. The light fixture also includes a flashlight electrical connection in the housing, such as a plug receptacle, for connection to the male plug for supplying power from the power source to the detachable flashlight assembly; and one or more diffusers for the housing.

45 The light fixture of the first embodiment provides for the detachable flashlight assembly, fluorescent light fixture and night light component to be all mounted end-to-end in a straight line within the housing. The fluorescent light fixture is mounted between the flashlight assembly and the night light component. The housing of the first embodiment is U-shaped and includes means for detachably mounting the diffuser cover on the open side of the U-shaped housing.

50 The light fixture of the second embodiment provides for the fluorescent light fixture being mounted in a first compartment in parallel with a second compartment which houses the night light component and the detachable flashlight assembly. The housing is essentially rectangular having a center mounting wall and divider to form the first and second compartments. There are two diffuser covers for the second embodiment, a large one for the fluorescent light fixture and a smaller one for the night light component which is mounted on the rectangular housing.

BRIEF DESCRIPTION OF THE DRAWINGS

Further objects, features, and advantages of the present invention will become apparent upon consideration of the detailed description of the presently-preferred embodiments, when taken in conjunction with the accompanying drawings wherein:

FIG. 1 is a rear perspective view of the first embodiment of the present invention showing the combination of a detachable flashlight, a night light with a photosensor, and a fluorescent light fixture contained within a single housing of the under cabinet lighting fixture;

FIG. 2 is an exploded perspective view of the first embodiment of the present invention showing the major component parts contained therein;

FIG. 3 is a top plan view of the first embodiment of the present invention showing an extended translucent acrylic diffuser for the fluorescent lighting fixture; a night light housing; and the lens cover and housing for the detachable flashlight assembly;

FIG. 4 is a front elevational view of the first embodiment of the present invention showing its various components;

FIG. 5 is a left-side end view of the first embodiment of the present invention showing the night light's push button ON/OFF switch and a convenience female outlet plug;

FIG. 6 is a vertical sectional view of the first embodiment of the present invention, taken along the sectional line A—A of FIG. 3, showing some of the components housed within the under cabinet lighting fixture;

FIG. 7 is a vertical sectional view of the first embodiment of the present invention, taken along the sectional line B—B of FIG. 6, showing the fluorescent lamp socket and ballast/starter attached to the central mounting plate;

FIG. 8 is a vertical sectional view of the first embodiment of the present invention, taken along the sectional line C—C of FIG. 4, showing the rechargeable flashlight batteries and a convenience outlet plug;

FIG. 9 is a circuit diagram for the first embodiment of the under cabinet lighting fixture showing the circuit wiring for the batteries, L.E.D. charging indicator light, various component ON/OFF switches, photo (light) sensor, power interruption detector, fluorescent transformer and starter, flashlight bulb, night light lamp, fluorescent lamp, female convenience outlet plugs and a male outlet plug;

FIG. 10 is a rear perspective view of the second embodiment of the present invention showing the combination of a detachable flashlight, a night light with a photosensor, and a fluorescent light fixture contained within a single housing of the under cabinet lighting fixture;

FIG. 11 is a rear perspective view of the second embodiment of the present invention showing some of the internal components of the under cabinet lighting fixture;

FIG. 12 is an exploded perspective view of the second embodiment of the present invention showing the major components contained therein; and

FIG. 13 is a circuit diagram for the second embodiment of the under cabinet lighting fixture showing the circuit wiring for the various components.

DETAILED DESCRIPTION OF THE PREFERRED EMBODIMENT

FIGS. 1 through 9 show the first embodiment of the present invention which provides for an under cabinet or under counter lighting fixture 10 having the combination of a detachable flashlight assembly 80, a night light 140 and a

fluorescent light fixture 160 contained within a housing 12. As shown in FIGS. 1, 2, 3, 4, and 6, the under cabinet/counter lighting fixture 10 includes a main housing 12 made of metal or plastic having a bottom wall 14, a front wall 16, a rear wall 24, and left and right end-cap walls 40 and 48. Housing 12 further includes an L-shaped mounting plate 54 having an integral left side wall 56.

Bottom wall 14 includes mounting openings 15a and 15b for mounting of housing 12 to a cabinet or counter bottom or wall area. Front wall 16 includes an integrally attached inside ridge 18 having end-cap attachment opening 20a and 20b where ridge 18 is centrally and longitudinally located on the inside wall 22. Rear wall 24 also includes an integrally attached inside ridge 34 having end-cap attachment openings 36a and 36b where ridge 34 is centrally and longitudinally located on the inside wall 38. Rear wall 24 further includes a wire retention groove 26 having an opening 28 for electrical wire 30 attached to a standard AC male plug 32, as shown in FIGS. 1, 2, and 6 of the drawings.

Left end-cap wall 40 includes an ON/OFF switch opening 42 for fluorescent light 160, a centrally located outlet plug opening 44 for a female convenience outlet plug 66, end-cap attachment openings 46a and 46b for fixedly attaching via screws 78 the end-cap 40 to openings 20a and 36a respectively of front and rear walls 6 and 24, and a wire retention opening 74 for electrical wire 30. Right end-cap wall 48 includes a centrally located outlet plug opening 50 for a female convenience outlet plug 68, end-cap attachment openings 52a and 52b for fixedly attaching via screws 78 the end-cap 48 to openings 20b and 36b respectively of front and rear walls 16 and 24, and a wire retention opening 76 for electrical wire 30.

Center mounting plate 54 includes an outlet plug opening 57 for the flashlight outlet plug 118; lamp socket attachment openings 58 and 60 for fluorescent lamp sockets 164 and 166; ballast attachment openings 62a and 62b for ballast/starter 170; and a night light socket opening 64 located on left side wall 56 of center mounting plate 54. The female convenience outlet plugs 66 and 68 have integrally attached electrical wires 70 and 72 for their appropriate electrical connections, as shown in FIGS. 2 and 9. The center mounting plate 54 is located and mounted on the inner ridges 18 and 34 of inner wall surfaces 22 and 28.

DETACHABLE FLASHLIGHT ASSEMBLY 80

The flashlight assembly 80, as shown in FIGS. 1, 2, 6, and 8, includes flashlight housing shell sections 82 and 84 having ON/OFF switch cut-out openings 86a and 86b and indicator light cutout openings 88a and 88b and male plug cut-out openings 89a and 89b. Flashlight assembly 80 also includes a printed circuit board 90 having connected nickel-cadmium batteries 92, an ON/OFF flashlight switch 94, a flashlight lamp socket 96, a male prong plug 98, an LED charging indicator light 100, and ON/OFF relay switch 102, a power interruption detector 104 and a recharger 106 for the nickel-cadmium batteries 92. Other components of flashlight assembly 80 includes a flashlight lamp or bulb 108, a reflector housing 110, a lens 112, a lens cover housing 114, a switch cover 116, a flashlight plug receptacle 118 having electrical wire 120 attached thereto, and a flashlight retainer component 122. The flashlight assembly 80 is located to the left end of the under cabinet/counter lighting fixture 10 when mounted under the cabinet/counter or wall area.

NIGHT LIGHT ASSEMBLY 140

The night light assembly 140, as shown in FIGS. 2, 3, 4, 6, and 9, includes a night light housing cover 142 integrally

connected to end-cap wall **40** having a photosensor opening **144** for photo (light) sensor **148**. Night light assembly **140** further includes a printed circuit board **146** having an integrally connected photo (light) sensor **148**, and a night light socket **152** having electrical connection wires **154**. Other components of night light assembly **140** include a night light lamp bulb **156** and a photosensor lens **158**. The night light assembly **140** is located to the right end of the under cabinet/counter lighting fixture **10** when mounted under the cabinet/counter or wall area.

FLUORESCENT LIGHT FIXTURE **160**

Fluorescent light fixture **160**, as depicted in FIGS. **1**, **2**, and **6** to **9**, includes a translucent acrylic diffuser **162**, fluorescent lamp sockets **164**, **166**, a fluorescent lamp **168**, a ballast/starter **170**, a transformer **172**, and a manual ON/OFF switch **174**. The fluorescent lamp sockets **164**, **166**, ballast/starter **170** and transformer **172** are fixedly attached to the center plate **54** via opening **58**, **60**, **62a**, and **62b**, as shown in FIG. **2** of the drawings. Diffuser **162** has front and rear connection edges **176** and **178** for mounting the diffuser **162** to the front and rear inner wall surfaces **22** and **38** of housing **12**, as shown in FIG. **7**.

ELECTRICAL ARRANGEMENT **180**

The electrical arrangement **180** of the first embodiment **10**, as shown in FIG. **9**, includes a standard AC male plug **32** connected to circuit wires **30** which are connected to circuit wires **70** and **72** for female outlet plugs **66** and **68**, respectively. Circuit wires **30** also connect to circuit wires **120** which connect to flashlight outlet **118** for receiving male prong plug **98** attached to flashlight circuit board **90**. Circuit board **90** also includes component connections for the batteries **92**, a manual switch **94**, a flashlight lamp socket **96** having bulb **108**, a charging indicator light **100**, an ON/OFF relay switch **102** which is turned on in a response to a power failure for switching to battery power, a power interruption detector circuit **104** for sensing a power failure and in response thereto, triggering said relay switch, and a battery recharger **106** for recharging nickel-cadmium batteries **92**.

Circuit wires **30** connect to circuit wires **154** of night light circuit board **146**. Circuit board **146** includes a photo (light) sensor **148** for detecting ambient light which turns on the night light bulb **156** at a specified lumens quantity, and a night light socket **152**.

Circuit wires **30** further connect to circuit wires **182** for connection to the manual ON/OFF switch **174**, the transformer **172**, the starter **170**, the lamp sockets **164** and **166** and the fluorescent lamp **168**, respectively.

DETAILED DESCRIPTION OF THE SECOND EMBODIMENT

FIGS. **10** through **13** show the second embodiment of the present invention which provides for an under cabinet or under counter lighting fixture **200** having the combination of a flashlight **300**, a night light **350** and a fluorescent light fixture **380** contained within a housing **202**. As shown in FIGS. **10** through **13**, the under cabinet/counter lighting fixture **200** includes a main housing **202** made of metal having a bottom wall **204**, a front wall **212**, a rear wall **222**, a left side wall **238** and a right side wall **244**. Housing **202** further includes an U-shaped center wall mounting component **250** having a top wall **252**, a front side wall **260**, a rear side wall **280**, and a metal divider **345** for forming a separate compartment for the flashlight assembly **300** and night light component **350**, and a parallel and separate compartment for the fluorescent fixture **380**.

Bottom wall **204** includes mounting openings **205a** and **205b** for mounting of housing **202** to a cabinet or counter bottom or wall area, and openings **206a**, **206b**, **208a**, and **208b** for receiving the front end rear wall **260** and **280** center wall flanges **268**, **272**, **288**, and **292**, respectively. Bottom wall **204** also includes openings **210a** and **210** for attaching the fluorescent mounting plate **384** and openings **211a** and **211b** for attaching the metal divider bottom attachment flanges **348** of metal divider **345**. Front wall **212** includes integrally attached connector flanges **214** and **218** having upper and lower flange openings **216a**, **216b**, **220a**, and **220b**, respectively. Rear wall **222** includes integrally attached connector flanges **224** and **228** having upper and lower flange openings **226a**, **226b**, **230a**, and **230b**, respectively. Flanges **214** and **224** connect the left side wall **238** to the front and rear walls **212** and **222** of housing **202** and correspondingly, flanges **218** and **228** connect the right side wall **244** to the front and rear walls **212** and **222** of housing **202**, as shown in FIG. **12**. Rear wall **222** further includes an opening **232** for electrical wire **234** having a standard AC male plug **236** connected thereto.

Left side wall **238** includes front and rear corner perimeter attachment openings **240a**, **240b**, **242a**, and **242b** for attachment to the front and rear connector flanges **214** and **224** of the front and rear walls **212** and **222** of housing **202**. Right side wall **244** includes front and rear corner perimeter attachment openings **246a**, **246b**, **248a**, and **248b** for attachment to the front and rear connector flanges **218** and **228** of the front and rear walls **212** and **222** of housing **202**. The left and right side walls **238** and **244** are fixedly attached via metal screws **276** to the front and rear walls **212** and **222** with the alignment of the corner perimeter openings **240a**, **240b**, **242a**, **242b**, **246a**, **246b**, **248a**, and **248b** with connector flange openings **216a**, **216b**, **220a**, **220b**, **226a**, **226b**, **230a**, and **230b**, respectively. This assembly forms the housing **202** of light fixture **200**, as depicted in FIGS. **10** and **11** of the drawings.

Top wall **252** of center mounting wall **250** includes an opening **254** for a female convenience outlet **400** for receiving a plug, an opening **256** for photosensor **358** centrally located on top wall **252**, and an opening **258** for the fluorescent ON/OFF switch **398** being located at the other end of top wall **252**. Front side wall **260** of center mounting wall **250** includes electrical wire openings **262** and **264**; ballast attachment openings **266a** and **266b**; and integrally attached connector flanges **268**, **272** having attachment openings **270** and **274** for connecting the front side wall **260** to bottom wall **204**. Rear side wall **280** of center mounting wall **250** includes electrical wire openings **282** and **284**; metal divider attachment openings **286a** and **286b** and integrally attached connector flanges **288** and **292** having attachment openings **290** and **294** for connecting the rear side wall **280** to bottom wall **204**. The space between front side wall **260** and rear side wall **280** acts as an electrical wire conduit area **278** for circuit wires **234**, **364**, **404**, and **406**. In attaching the center mounting wall **250** to the bottom wall **204** via metal screws **276**, the front and rear side wall connector flange openings **270**, **272**, **290**, and **294** and aligned with bottom wall openings **206a**, **206b**, **208a**, and **208b**, respectively. In attaching the metal divider **345** to the center mounting wall **250** and the bottom wall **204**, the metal divider's connector flange openings **347a**, **347b**, **349a**, and **349b** are aligned with the rear wall attachment openings **286a** and **286b** and bottom wall attachment openings **211a** and **211b**, respectively. This assembly forms the compartments **302**, **352**, and **382** for the flashlight assembly **300**, the night light component **350** and fluorescent light fixture

component **380** respectively, within housing **202** of lighting fixture **200**, as shown in FIG. **11** of the drawings.

DETACHABLE FLASHLIGHT ASSEMBLY **300**

The flashlight assembly **300** is housed in compartment **382**, as shown in FIGS. **11** and **12**, and includes flashlight housing shell sections **304a** and **304b** having ON/OFF cut-out openings **306a** and **306b**, indicator light cut-out openings **308a** and **308b**, male plug cut-out openings **328a** and **328b** and handle sections **309a** and **309b**. Flashlight assembly **300** also includes a printed circuit board **310** having connected nickel-cadmium batteries **312**, an ON/OFF switch **314**, a flashlight lamp socket **316**, a male prong plug **318**, an LED charging indicator light **320**, an ON/OFF relay switch **322**, a power interruption detector circuit **324** and a recharger **326** for the nickel-cadmium batteries **312**. Other components of flashlight assembly **300** include a flashlight lamp bulb **330**, a reflector housing **332**, a lens **334**, a lens cover housing **336**, a switch cover **338**, a flashlight plug receptacle **340** having electrical wire **342** attached thereto, and a flashlight retainer component **344**. The flashlight assembly **300** is located in one corner area **302** adjacent to rear wall **222** of housing **202** for fixture **200** when mounted under a cabinet/counter or wall.

NIGHT LIGHT ASSEMBLY **350**

The night light assembly **350** is located in compartment **352**, as shown in FIGS. **10** to **13**. The night light assembly **350** includes a night light housing cover **354** fixedly attached to the inside surface **245** of rear wall **244**. Night light assembly **350** further includes a printer circuit board **356** having an integrally connected photo (light) sensor **358**, and a night light socket **362** having electrical connection wires **364**. Other components of night light assembly **350** include a night light lamp bulb **366** and a photosensor lens **368**. The night light assembly **350** is located next to the metal divider **345** and adjacent to rear wall **222** of the under cabinet/counter lighting fixture **10** when mounted under the cabinet/counter or wall area.

FLUORESCENT LIGHT FIXTURE **380**

Fluorescent light fixture **380** is located in compartment **382**, as shown in FIGS. **11** to **12**. Fluorescent light fixture **380** includes a mounting plate **384** having attachment openings **386a** and **386b** for mounting on bottom wall **204** via screws **276** to openings **210a** and **210b**. Mounting plate **384** includes integrally connected fluorescent lamp sockets **388** and **390** having a fluorescent lamp attached thereto. Fluorescent light fixture **380** also includes a ballast/starter **394**, a transformer **396**, a manual ON/OFF switch **398**, a female convenience outlet plug **400** having circuit wires **406**, and a translucent diffuser cover **402**. Ballast/starter **394** and transformer **396** are attached to the front side wall **260** of center wall **250** via screw **276** to mounting openings **266a** and **266b**, respectively. Switch **398** and convenience plug **400** are mounted within hole openings **258** and **254** of center mounting wall **250**, respectively. Diffuser cover **402** is mounted on edge **213** of front wall **212** and edge **251** of front side wall **260**. The fluorescent light fixture **380** is adjacent to both front wall **212** and front side wall **260**, as shown in FIG. **11**.

ELECTRICAL ARRANGEMENT **410**

The electrical arrangement **410** of the second embodiment **200**, as shown in FIG. **13**, includes a standard AC male plug

236 connected to circuit wires **234** which are connected to circuit wires **406** for female outlet plug **400**. Circuit wires **234** also connect to circuit wires **342** which connect to flashlight outlet **340** for receiving male prong plug **318** attached to flashlight circuit board **310**. Circuit board **310** also includes component connections for the batteries **312**, a manual switch **314**, a flashlight lamp socket **316** having bulb **330**, a charging indicator light **320**, an ON/OFF relay switch **322** which is turned on in a response to a power failure for switching to power, a power interruption detector circuit **324** for sensing a power failure and in response thereto, triggering said relay switch, and a battery recharger **326** for recharging nickel-cadmium batteries **312**.

Circuit wires **234** connect to circuit wires **364** of night light circuit board **356**. Circuit board **356** includes a photo (light) sensor **358** for detecting ambient light which turns on the night light bulb **366** at a specified lumens quantity, and a night light socket **362**.

Circuit wires **234** further connect to circuit wires **404** for connection to the manual ON/OFF switch **398**, the transformer **396**, the ballast/starter **394**, the lamp sockets **388** and **390**, and the fluorescent lamp **392**, respectively.

ALTERNATE EMBODIMENTS

The first and second embodiments **10** and **200** of the present invention may have alternative battery recharging electrical connections wherein male plug **98** or **318** is replaced with first contact points **98'** and **318'**; and wherein flashlight plug receptacle **118** or **340** is replaced with second contact points **118'** or **340'**. In this manner, the detachable flashlights **80** or **300** may be recharged using the present invention's rechargers **106** or **326** by first contact points **98'** or **318'** engaging and electrically contacting second contact points **118'** or **340'**, respectively.

Alternatively, the detachable flashlight **80** or **300** may be recharged by the use of a battery recharger mounted anywhere in the housing, such that the first contact points **98'** or **318'** of flashlights **80** or **300** are electrically contacted with the contact points of the battery recharger to recharge batteries **92** or **312**. In addition, the battery recharger is connected to the power source.

OPERATING AND INSTALLATION OF THE PRESENT INVENTIONS **10** AND **200**

When a power failure occurs, the power interruption detector circuit **104** or **324** senses this loss of power and causes the ON/OFF relay switch **102** or **322** to move to the ON position. This switches the power source to batteries **92** or **312** for activating the flashlight assembly **80** or **300**, which instantly illuminates the unlighted area, and allows the flashlight **80** or **300** to be removed from the housing carrying its own battery operated power source. Prior to a power failure, operation of the LED charging indicator light **100** and **320** shows that the power source of batteries **92** or **312** is charging.

To install the housing **12** or **202** of the lighting fixtures **10** and **200**, it is only necessary to mount the bottom wall **14** or **204** via screws through mounting openings **15a**, **15b**, or **205a** and **205b** respectively, to a counter/cabinet bottom surface or wall space, and then connect the standard male plug **32** or **326** to a standard AC plug receptacle within a room.

The night light **140** and **350** is not energized by this AC connection until the photocell **148** or **358** activates the night light which illuminates the night light bulb **156** or **366**. Also,

the fluorescent light **160** or **380** is not activated by this AC connection until the switch **174** or **398** for the fluorescent light is activated. In addition, the flashlight assembly **80** or **300** is not activated by this AC connection until switch **94** or **314** is activated, or until there is a power failure, at which time it is automatically turned on and powered by the batteries.

ADVANTAGES OF THE PRESENT INVENTION

Accordingly, a primary advantage of the present invention is that it provides for an under cabinet lighting fixture having a detachable flashlight assembly on one end of the fixture housing, a night light with a photosensor on the other end, and a fluorescent light in the middle section for use at home, in an office, or at a work facility.

Another advantage of the present invention is that it provides for an emergency light source which is battery operated and rechargeable, and is detachable from one end of the main housing of the under cabinet lighting fixture.

Another advantage of the present invention is that it provides for a night light fixture having a photosensor cell for automatically turning on the night light bulb when there is insufficient light in a room using the present invention.

Another advantage of the present invention is that it provides for an under cabinet lighting fixture that is simple and easily mounted to a cabinet bottom, or a counter bottom, or a wall area by a user.

A further advantage of the present invention is that it provides for an under cabinet lighting fixture which can be mass produced in an automated and economical manner and is readily affordable by the consumer.

A latitude of modification, change, and substitution is intended in the foregoing disclosure, and in some instances, some features of the invention will be employed without a corresponding use of other features. Accordingly, it is appropriate that the appended claims be construed broadly and in a manner consistent with the spirit and scope of the invention here.

What is claimed is:

1. A lighting fixture for mounting on a surface, comprising:

- a) a housing including means for mounting said housing on a surface;
- b) a fluorescent light fixture mounted in said housing;
- c) a night light mounted in said housing;
- d) a battery-operated detachable flashlight assembly removably mounted in said housing and including a battery recharger, means for interconnecting said battery recharger and a power source, and means for sensing a power loss;
- e) a flashlight electrical connection in said housing for connection to said means for interconnecting for supplying power from the power source to said battery recharger; and
- f) one or more diffusers for *covering said fluorescent light fixture in* said housing.

2. A lighting fixture in accordance with claim 1, wherein said housing includes at least one convenience plug receptacle for receiving [the] a male plug of an appliance or another fixture.

3. A lighting fixture in accordance with claim 1, wherein said housing includes an electrical plug for inserting into a conventional electrical outlet for supplying power to said lighting fixture.

4. A lighting fixture in accordance with claim 1, wherein said means for interconnecting in said flashlight assembly is

an electrical male plug, and wherein said flashlight electrical connection is a plug receptacle for receiving said male plug.

5. A lighting fixture in accordance with claim 1, wherein said housing includes a photosensor for activating said night light.

6. A lighting fixture in accordance with claim 1, wherein said fluorescent light fixture, said night light and said detachable flashlight assembly are all mounted end-to-end in a straight line in said housing.

7. A lighting fixture in accordance with claim 6, wherein said fluorescent light fixture is mounted between said night light and said detachable flashlight assembly.

8. A lighting fixture in accordance with claim 1, wherein said fluorescent light fixture is mounted in a first compartment parallel with said night light and said detachable flashlight assembly which are mounted in a second compartment.

9. A lighting fixture in accordance with claim 1, wherein said housing is U-shaped in cross section and includes means for detachably mounting said diffuser on the open side of said U-shaped housing.

10. A lighting fixture in accordance with claim 1, further including a charging indicator light in said housing for indicating that said detachable flashlight assembly is being charged.

11. A lighting fixture in accordance with claim 1, wherein said means for sensing a power loss includes an electrical relay for switching to battery power to energize said flashlight assembly, and a power interruption detector circuit for sensing a loss of power and in response thereto, triggering said electrical relay to switch to battery power.

12. A lighting fixture in accordance with claim 1, further including a circuit board in said housing for housing said battery recharger.

13. A lighting fixture in accordance with claim 1, wherein said fluorescent fixture includes a starter and a transformer.

14. A lighting fixture in accordance with claim 1, wherein said detachable flashlight assembly includes a handle for removing said flashlight assembly from said housing.

15. A lighting fixture for mounting on a surface, comprising:

- a) a housing including means for mounting said housing on a surface;
- b) a fluorescent light fixture mounted in said housing;
- c) a battery-operated detachable flashlight assembly removably mounted in said housing and including means for connecting to a battery recharger, and means for sensing a power loss;
- d) a battery recharger in said housing;
- e) a flashlight electrical connection in said housing for connection to said means for connecting for supplying power from the power source to said battery recharger;
- f) said means for sensing a power loss includes an electrical relay for switching to battery power to energize said flashlight assembly to provide emergency light, and a power interruption detector circuit for sensing a loss of power and in response thereto, triggering said electrical relay to switch to battery power; and
- g) one or more diffusers for *covering said fluorescent light fixture in* said housing.

16. A lighting fixture in accordance with claim 15, wherein said means for connecting in said flashlight assembly is an electrical male plug, and wherein said flashlight electrical connection is a plug receptacle for receiving said male plug.

17. A lighting fixture in accordance with claim 15, wherein said housing includes a night light and a photosensor for activating said night light.

18. A lighting fixture in accordance with claim 17, wherein said fluorescent light fixture, said night light and said detachable flashlight assembly are all mounted end-to-end in a straight line in said housing.

19. A lighting fixture in accordance with claim 18, wherein said fluorescent light fixture is mounted between said night light and said detachable flashlight assembly.

20. A lighting fixture in accordance with claim 17, wherein said fluorescent light fixture is mounted in a first compartment parallel with said night light and said detachable flashlight assembly which are mounted in a second compartment.

21. A lighting fixture for mounting on a surface, comprising:

- a) a housing including a mounting device for mounting said housing on a surface;
- b) a fluorescent light fixture mounted in said housing;
- c) a night light mounted in said housing;
- d) a detachable flashlight assembly removably mounted in said housing;
- e) said flashlight assembly including a battery section for receiving one or more batteries for supplying power to said flashlight assembly;
- f) an electrical device for electrically connecting said flashlight assembly, said fluorescent light fixture, and said night light to an A.C. source of power;
- g) said housing including a power interruption detector for sensing a power loss in the A.C. source of power; and
- h) a switching device in said housing for switching said flashlight assembly to battery power to energize said flashlight assembly in response to said power interruption detector sensing a power loss in the A.C. source of power.

22. A lighting fixture in accordance with claim 21, wherein said housing includes at least one convenience plug receptacle for receiving a male plug of an appliance or another fixture.

23. A lighting fixture in accordance with claim 21, wherein said housing includes an electrical plug for inserting into a conventional electrical outlet for supplying A.C. power to said lighting fixture.

24. A lighting fixture in accordance with claim 21, wherein said flashlight assembly includes an electrical male plug, and wherein said housing includes a plug receptacle for receiving said male plug.

25. A lighting fixture in accordance with claim 21, wherein said housing includes a photosensor for activating said night light.

26. A lighting fixture in accordance with claim 21, wherein said fluorescent fixture, said night light, and said detachable flashlight assembly are all mounted end-to-end in a straight line in said housing.

27. A lighting fixture in accordance with claim 26, wherein said fluorescent light fixture is mounted between said night light and said detachable flashlight assembly.

28. A lighting fixture in accordance with claim 21, wherein said fluorescent light fixture is mounted in a first compartment parallel with said night light and said detachable flashlight assembly, which are mounted in a second compartment.

29. A lighting fixture in accordance with claim 21, wherein said housing is U-shaped in cross section and

includes means for detachably mounting a diffuser on the open side of said U-shaped housing.

30. A lighting fixture in accordance with claim 21, further including a battery recharger for charging the batteries in said battery compartment.

31. A lighting fixture in accordance with claim 30, further including a charging indicator light in said housing for indicating that the batteries for said detachable flashlight assembly are being charged.

32. A lighting fixture in accordance with claim 30, further including a circuit board in said housing for housing said battery recharger.

33. A lighting fixture in accordance with claim 21, wherein said fluorescent fixture includes a starter and a transformer.

34. A lighting fixture in accordance with claim 21, wherein said detachable flashlight assembly includes a handle for removing said flashlight assembly from said housing.

35. A lighting fixture for mounting on a surface, comprising:

- a) a housing including a mounting device for mounting said housing on a surface;
- b) a fluorescent light fixture mounted in said housing;
- c) a detachable flashlight assembly removably mounted in said housing;
- d) said flashlight assembly including a battery section for receiving one or more batteries for supplying power to said flashlight assembly;
- e) an electrical device for electrically connecting said flashlight assembly and said fluorescent light fixture to an A.C. source of power;
- f) said housing including a power interruption detector for sensing a power loss in the A.C. source of power; and
- g) a switching device in said housing for switching said flashlight assembly to battery power to energize said flashlight assembly in response to said power interruption detector sensing a power loss in the A.C. source of power.

36. A lighting fixture in accordance with claim 35, wherein said housing includes at least one convenience plug receptacle for receiving a male plug of an appliance or another fixture.

37. A lighting fixture in accordance with claim 35, wherein said housing includes an electrical plug for inserting into a conventional electrical outlet for supplying A.C. power to said lighting fixture.

38. A lighting fixture in accordance with claim 35, wherein said flashlight assembly includes an electrical male plug, and wherein said housing includes a plug receptacle for receiving said male plug.

39. A lighting fixture in accordance with claim 35, wherein said fluorescent fixture and said detachable flashlight assembly are all mounted end-to-end in a straight line in said housing.

40. A lighting fixture in accordance with claim 35, further including a battery recharger for charging the batteries in said battery compartment.

41. A lighting fixture in accordance with claim 40, further including a charging indicator light in said housing for indicating that the batteries for said detachable flashlight assembly are being charged.

42. A lighting fixture in accordance with claim 40, further including a circuit board in said housing for housing said battery recharger.

13

43. A lighting fixture in accordance with claim 35, wherein said fluorescent fixture includes a starter and a transformer.

44. A lighting fixture in accordance with claim 35, wherein said detachable flashlight assembly includes a handle for removing said flashlight assembly from said housing.

45. A lighting fixture for mounting on a surface, comprising:

- a) a housing including a mounting device for mounting said housing on a surface;
- b) a fluorescent light fixture mounted in said housing;
- c) a night light mounted in said housing;
- d) a detachable flashlight assembly removably mounted in said housing;
- e) said flashlight assembly including a battery section for receiving one or more batteries for supplying power to said flashlight assembly;
- f) an electrical device for electrically connecting said fluorescent light fixture and said night light to an A.C. source of power; and

14

g) said housing including a power interruption detector for sensing a power loss in the A.C. source of power.

46. A lighting fixture for mounting on a surface, comprising:

- a) a housing including a mounting device for mounting said housing on a surface;
- b) a fluorescent light fixture mounted in said housing;
- c) a detachable flashlight assembly removably mounted in said housing;
- d) said flashlight assembly including a battery section for receiving one or more batteries for supplying power to said flashlight assembly;
- e) an electrical device for electrically connecting said fluorescent light fixture to an A.C. source of power; and
- f) said housing including a power interruption detector for sensing a power loss in the A.C. source of power.

* * * * *